



# Tables Pricebook

June 2026

Caution	iii	Studi tables	83
Volley tables	5	with Power Module & Daisy Chain	84
120 degree base & surface	6	with Power Module	86
straight	8	with Grommet	88
5-sided	10	without Grommet	90
unitized	12	Add ons	92
upgrades	28	PET Modesty	92
Norris tables	33	Frosted Acrylic Modesty	93
super ellipse without power and data	34	Ganging Mechanism	94
super ellipse with power and data	36	Daisy Chain	95
video without power and data	38	Echo tables	97
video with power and data	40	Super Ellipse	98
boat without power and data	42	no power module	98
boat with power and data	44	w power module	99
straight without power and data	46	Round	100
straight with power and data	48	no power module	100
options	50	w power module	101
add-on Kit	51	Squircle	102
Kip tables	53	no power module	102
community table without power and data	54	w power module	103
community table with power and data	56		
Koko tables	59		
rectangular table	60		
round table	61		
Hanna tables	63		
T base - slim	64		
T base - tubular	66		
X base - slim	68		
X base - tubular	70		
super ellipse top	72		
round top	74		
squircle top	76		
rectangular top	78		
square top	80		

**Load Bottom Drawer First**

- Operate one drawer at a time
- Units may tip if loaded incorrectly
- Units should be attached to a wall or other furniture to reduce tipping hazard
- Always load the heaviest files in the bottom drawer

**Heavy Load**

- Some products must be anchored to wall to ensure stability & safety.
- It is the owner and installers responsibility to ensure that the wall type and construction is of sufficient strength to carry the loads of any wall mounted products and their contents.
- Failure of the wall and anchors to support all imposed loads may result in property damage and/or personal injury.
- Tayco can provide size and empty weight of its products only. As wall blocking is considered a building construction process, Tayco cannot provide recommendations in this respect and cannot be responsible for damage or injury that may occur as a result of improper installation and/or blocking.

**Instability Hazard**

Mobile items on casters such as flip top, personal and movable tables of any type and storage items of any type may present an instability hazard if not secured correctly while in use or in storage. Flip top tables or training tables of any type, are inherently more unstable when folded. Tayco provides the following guidelines & warnings when using mobile products:

- Lock casters immediately after moving. Do not leave the casters unlocked when in use or in storage.
- Motion may increase the instability of any item with casters. If the wheels hit an obstruction the table's forward momentum often causes overturn, especially if the item is not equipped with wheel extensions. Exercise strong caution while moving these items.
- Use caution when abrupt level changes in the floor are present (such as a doorway or room threshold) as caster failure or tipping may result.
- Do not stand, sit or lean on mobile items for support. They are not intended for this use and personal injury or property damage may result.
- Mobile units that feature height adjustable elements must be lowered to the minimum compressed height when moving to prevent instability. It is also recommended the user remove all computer equipment or other accessories to prevent possible weight imbalance or damage to equipment.
- Failure to follow the guidelines above may result in property damage or personal injury.



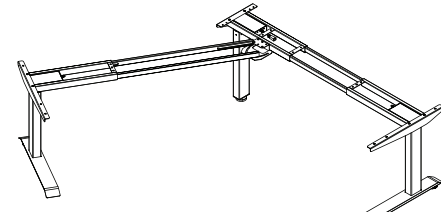
Tables Pricebook  
June 2026  
Volley

*Volley tables*

<u>120 degree base &amp; surface</u>	6
<u>straight</u>	8
<u>5-sided</u>	10
<u>unitized</u>	12
<u>upgrades</u>	28
<u>Height Adjustable Table Enclosure Box</u>	28
<u>Flex Cable Organizer</u>	29
<u>Trough &amp; Trough Mounted Modesty</u>	30



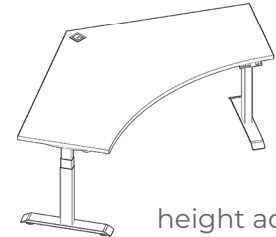
height adjustable C legs



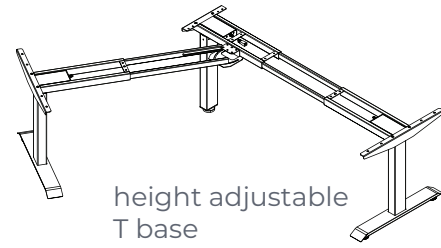
height adjustable C base



height adjustable surface



height adjustable T legs



height adjustable T base

**What's Included:**

One (1) 120 Volley table (1) with one (1) grommet, a set of height adjustable supports (1) and one digital height display unit (1).

**How to Specify:**

Grommet can be specified in silver or white. Edge color will default to match the surface color of the worksurface unless otherwise specified. Pinch points are taken into account in all of the Integrated tables.

**Freestanding Options:**

Width	42", 48", 54"		
Depth	42", 48", 54"		
End	24", 30"		
Worksurface Laminate	laminate color		
Leg color	silver	white	black
Leg style	C legs	T legs	

**Integrated Options:**

Width	40", 46", 52"		
Depth	40", 46", 52"		
End	23", 29"		
Worksurface Laminate	laminate color		
Leg color	silver	white	black

**Notes:**

Worksurface is 1-inch thick. All worksurfaces have 2mm vinyl edge trim. Low pressure laminate is available on the top surface of a worksurface.

Table height can be adjusted to 25" from the ground and raised to a maximum height of 51" from the ground. BIFMA bases can be adjusted to 22.75" from the ground and raised to a maximum height of 48.75" from the ground.

Load capacity of 320 lbs with worksurface.

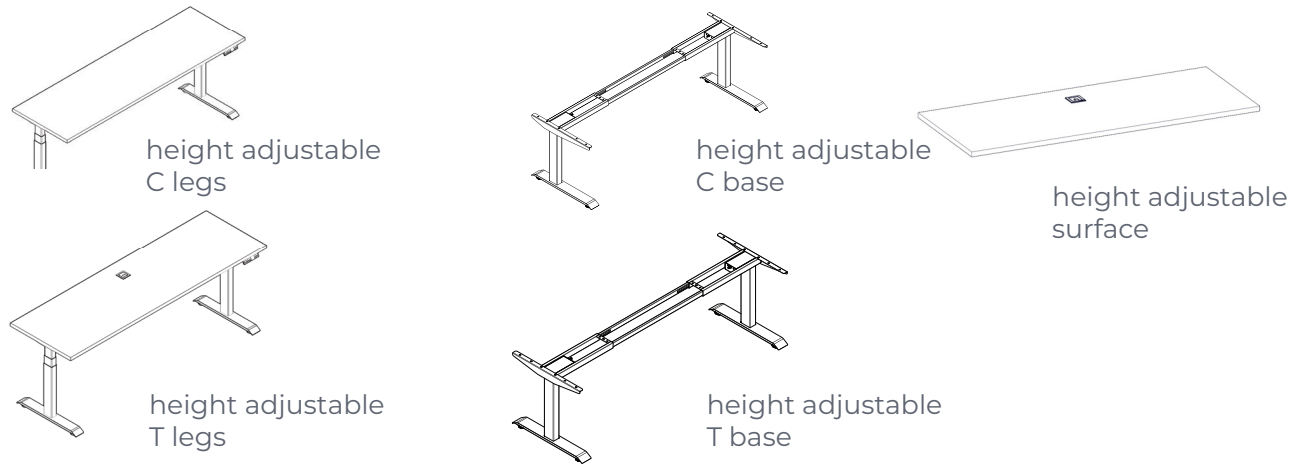
Code	Price	W Range (in)	Depth (in)	Volume (ft <sup>3</sup> )	Weight (lb)
<b>3-leg base 120° - T LEG</b>					
R-HA3T2-S	1975	40"-54"	24	4.22	120
R-HA3T2-S-B	1975	40"-54"	24	4.27	128
<b>3-leg base 120° - C LEG</b>					
R-HA3C2-S	1975	40"-54"	24	4.22	120
R-HA3C2-S-B	1975	40"-54"	24	4.27	128

Code	Price	Height(in)	Width (in)	Depth (in)	Volume (ft <sup>3</sup> )	Weight (lb)
<b>120° Surface - Freestanding With grommet</b>						
R-S2CG-4224	1074	1	42	42	1.8	32
R-S2CG-4230	1300	1	42	42	2.125	35
R-S2CG-4824	1140	1	48	48	1.9	35
R-S2CG-4830	1367	1	48	48	2.25	38
R-S2CG-5424	1154	1	54	54	2.1	38
R-S2CG-5430	1382	1	54	54	2.45	41

<b>120° Surface - Freestanding Without grommet</b>						
R-S2CN-4224	1064	1	42	42	1.8	32
R-S2CN-4230	1290	1	42	42	2.125	35
R-S2CN-4824	1130	1	48	48	1.9	35
R-S2CN-4830	1357	1	48	48	2.25	38
R-S2CN-5424	1144	1	54	54	2.1	38
R-S2CN-5430	1372	1	54	54	2.45	41

<b>120° Surface - Integrated With grommet</b>						
R-S2CG-4023	1038	1	40	40	1.71	30
R-S2CG-4029	1243	1	40	40	2.03	33
R-S2CG-4623	1104	1	46	46	1.8	33
R-S2CG-4629	1309	1	46	46	2.15	36
R-S2CG-5223	1118	1	52	52	2	36
R-S2CG-5229	1323	1	52	52	2.35	39

<b>120° Surface - Integrated Without grommet</b>						
R-S2CN-4023	1028	1	40	40	1.71	30
R-S2CN-4029	1233	1	40	40	2.03	33
R-S2CN-4623	1094	1	46	46	1.8	33
R-S2CN-4629	1299	1	46	46	2.15	36
R-S2CN-5223	1108	1	52	52	2	36
R-S2CN-5229	1313	1	52	52	2.35	39



**What's Included:**

Straight desk worksurface (1) with a center grommet (1) a set of height adjustable supports (1) and one digital height display unit (1).

**How to Specify:**

Grommet can be specified in silver or white.

Edge color will default to match the surface color of the worksurface unless otherwise specified.

Pinch points are taken into account in all of the Integrated tables.

**Notes:**

Straight desk worksurface is 1-inch thick.

Table height can be adjusted to 25" from the ground and raised to a maximum height of 51" from the ground. BIFMA bases can be adjusted to 22.75" from the ground and raised to a maximum height of 48.75" from the ground.

Load capacity of 220 lbs with worksurface.

**Freestanding Options:**

Width	36", 42", 48", 54", 60", 66", 72"		
Depth	24", 30"		
Worksurface Laminate	laminate color		
Leg color	silver	white	black
Leg style	C legs	T legs	

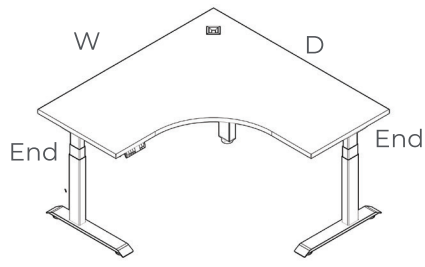
**Integrated Options:**

Width	34", 40", 46", 52", 58", 64", 70"		
Depth	23", 29"		
Worksurface Laminate	laminate color		
Leg color	silver	white	black

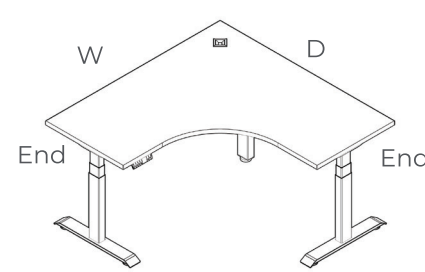
Code	Price	W Range (in)	D(in)	Weight (lb)	Volume (ft³)	Code	Price	W Range (in)	D(in)	Weight (lb)	Volume (ft³)
<b>Straight Base - T Leg</b>						<b>Straight Base - C Leg</b>					
R-HA2T1-S	1150	40"-72"	24	88	2.8	R-HA2C1-S	1150	40"-72"	24	88	2.8
R-HA2T1-S-B	1150	40"-72"	24	88	2.8	R-HA2C1-S-B	1150	40"-72"	24	88	2.8
R-HA2T1-L	1150	73"-90"	24	90	2.86	R-HA2C1-L	1150	73"-90"	24	90	2.86
R-HA2T1-L-B	1150	73"-90"	24	90	2.86	R-HA2C1-L-B	1150	73"-90"	24	90	2.86

Code	Price	Width (in)	Depth (in)	Vol (ft³)	Weight (lb)
<b>surface - freestanding With grommet</b>					
R-WS0G-3624	360	36	24		16
R-WS0G-3630	366	36	30		20
R-WS0G-4224	384	42	24		18.66
R-WS0G-4230	393	42	30		23.33
R-WS0G-4824	438	48	24		21.33
R-WS0G-4830	461	48	30		26.67
R-WS0G-5424	530	54	24		24
R-WS0G-5430	566	54	30		30
R-WS0G-6024	556	60	24		26.67
R-WS0G-6030	592	60	30		33.31
R-WS0G-6624	615	66	24		29.33
R-WS0G-6630	631	66	30		36.65
R-WS0G-7224	644	72	24		32
R-WS0G-7230	647	72	30		40
R-WS0G-7824	799	78	24		34
R-WS0G-7830	841	78	30		42
R-WS0G-8424	871	84	24		36
R-WS0G-8430	915	84	30		44
<b>surface - freestanding Without grommet</b>					
R-WS0N-3624	350	36	24		16
R-WS0N-3630	356	36	30		20
R-WS0N-4224	374	42	24		18.66
R-WS0N-4230	383	42	30		23.33
R-WS0N-4824	428	48	24		21.33
R-WS0N-4830	451	48	30		26.67
R-WS0N-5424	520	54	24		24
R-WS0N-5430	556	54	30		30
R-WS0N-6024	546	60	24		26.67
R-WS0N-6030	582	60	30		33.31
R-WS0N-6624	605	66	24		29.33
R-WS0N-6630	621	66	30		36.65
R-WS0N-7224	634	72	24		32
R-WS0N-7230	637	72	30		40
R-WS0N-7824	789	78	24		34
R-WS0N-7830	831	78	30		42
R-WS0N-8424	861	84	24		36
R-WS0N-8430	905	84	30		44

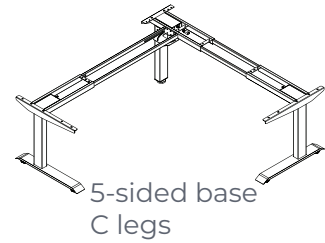
Code	Price	Width (in)	Depth (in)	Vol (ft³)	Weight (lb)
<b>surface - integrated With grommet</b>					
R-WS0G-3423	360	34	23		15.98
R-WS0G-3429	366	34	29		19.97
R-WS0G-4023	384	40	23		18.64
R-WS0G-4029	393	40	29		23.3
R-WS0G-4623	438	46	23		21.31
R-WS0G-4629	461	46	29		26.64
R-WS0G-5223	514	52	23		23.98
R-WS0G-5229	530	52	29		29.77
R-WS0G-5823	556	58	23		26.65
R-WS0G-5829	546	58	29		33.28
R-WS0G-6423	615	64	23		29.31
R-WS0G-6429	631	64	29		36.62
R-WS0G-7023	644	70	23		31.98
R-WS0G-7029	647	70	29		39.77
R-WS0G-7623	799	76	23		33.98
R-WS0G-7629	841	76	29		41.77
R-WS0G-8223	871	82	23		35.98
R-WS0G-8229	915	82	29		43.77
<b>surface - integrated Without grommet</b>					
R-WS0N-3423	350	34	23		15.98
R-WS0N-3429	356	34	29		19.97
R-WS0N-4023	374	40	23		18.64
R-WS0N-4029	383	40	29		23.3
R-WS0N-4623	428	46	23		21.31
R-WS0N-4629	451	46	29		26.64
R-WS0N-5223	504	52	23		23.98
R-WS0N-5229	520	52	29		29.77
R-WS0N-5823	546	58	23		26.65
R-WS0N-5829	536	58	29		33.28
R-WS0N-6423	605	64	23		29.31
R-WS0N-6429	621	64	29		36.62
R-WS0N-7023	634	70	23		31.98
R-WS0N-7029	637	70	29		39.77
R-WS0N-7623	789	76	23		33.98
R-WS0N-7629	831	76	29		41.77
R-WS0N-8223	861	82	23		35.98
R-WS0N-8229	905	82	29		43.77



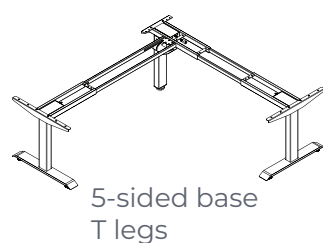
5-sided height adjustable table- C legs



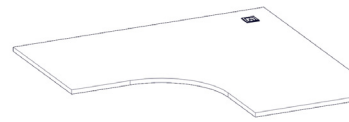
5-sided height adjustable table-T legs



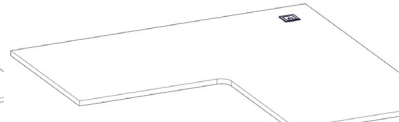
5-sided base C legs



5-sided base T legs



5-sided surface - curved



5-sided surface - 90 degree

**What's Included:**

Unitized Volley tables (1) with one grommet (1), a set of height adjustable supports (1) and one digital height display unit (1).

**How to Specify:**

Grommet can be specified in silver or white.

Edge color will default to match the surface color of the worksurface unless otherwise specified.

Pinch points are taken into account in all of the Integrated tables.

**Freestanding Options:**

Width/Depth	48", 54", 60",		
End	24", 30"		
Worksurface Laminate	laminate color		
Leg color	silver	white	black
Leg style	C legs	T legs	

**Integrated Options:**

Width/Depth	46", 52", 58"		
End	23", 29"		
Worksurface Laminate	laminate color		
Leg color	silver	white	black

**Notes:**

Straight desk worksurface is 1-inch thick.

Table height can be adjusted to 25" from the ground and raised to a maximum height of 51" from the ground. BIFMA bases can be adjusted to 22.75" from the ground and raised to a maximum height of 48.75" from the ground.

Load capacity of 320 lbs with worksurface.

Code	Price	Width (in) range	Vol (ft <sup>3</sup> )	Weight (lb)
3 leg Base - 5 Sided - T LEG				
R-HA3T1-S	1975	46"-72"	4.22	146
R-HA3T1-S-B	1975	46"-72"	4.22	146
R-HA3T1-L	1975	73"-90"	4.27	148
R-HA3T1-L-B	1975	73"-90"	4.27	148

Code	Price	Width (in)	Depth (in)	Vol (ft <sup>3</sup> )	Weight (lb)
freestanding curved With Grommet					
R-W5CG-4824	778	48	24	5.22	47.43
R-W5CG-4830	809	48	30	5.22	50.21
R-W5CG-5424	887	54	24	5.22	49.45
R-W5CG-5430	1007	54	30	5.22	51.63
R-W5CG-6024	986	60	24	5.22	54.2
R-W5CG-6030	1151	60	30	5.22	56.32

Code	Price	Width (in)	Depth (in)	Vol (ft <sup>3</sup> )	Weight (lb)
freestanding 90 degree With Grommet					
R-W5NG-4824	778	48	24	5.22	47.43
R-W5NG-4830	809	48	30	5.22	50.21
R-W5NG-5424	887	54	24	5.22	49.45
R-W5NG-5430	1007	54	30	5.22	51.63
R-W5NG-6024	986	60	24	5.22	54.2
R-W5NG-6030	1151	60	30	5.22	56.32

Code	Price	Width (in)	Depth (in)	Vol (ft <sup>3</sup> )	Weight (lb)
freestanding integrated curved With Grommet					
R-W5CG-4623	778	46	23	5.22	47.43
R-W5CG-4629	809	46	29	5.22	50.21
R-W5CG-5223	887	52	23	5.22	49.45
R-W5CG-5229	1007	52	29	5.22	51.63
R-W5CG-5823	986	58	23	5.22	54.2
R-W5CG-5829	1151	58	29	5.22	56.32

Code	Price	Width (in)	Depth (in)	Vol (ft <sup>3</sup> )	Weight (lb)
freestanding integrated 90 degree With Grommet					
R-W5NG-4623	778	46	23	5.22	47.43
R-W5NG-4629	809	46	29	5.22	50.12
R-W5NG-5223	887	52	23	5.22	49.43
R-W5NG-5229	1007	52	29	5.22	51.6
R-W5NG-5823	986	58	23	5.22	54.01
R-W5NG-5829	1151	58	29	5.22	56.03

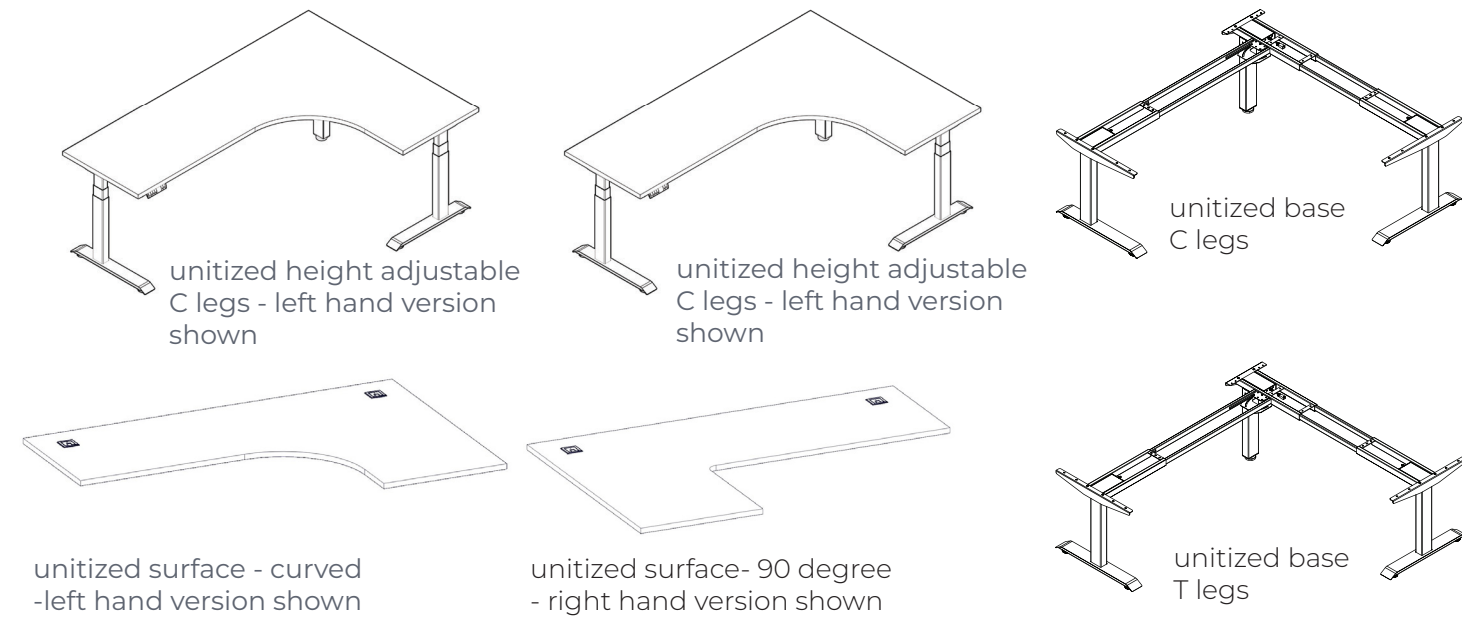
Code	Price	Width (in) range	Vol (ft <sup>3</sup> )	Weight (lb)
3 leg Base - 5 Sided - C LEG				
R-HA3C1-S	1975	46"-72"	4.22	146
R-HA3C1-S-B	1975	46"-72"	4.22	146
R-HA3C1-L	1975	73"-90"	4.27	148
R-HA3C1-L-B	1975	73"-90"	4.27	148

Code	Price	Width (in)	Depth (in)	Vol (ft <sup>3</sup> )	Weight (lb)
freestanding curved Without Grommet					
R-W5CN-4824	768	48	24	5.22	47.43
R-W5CN-4830	799	48	30	5.22	50.21
R-W5CN-5424	877	54	24	5.22	49.45
R-W5CN-5430	997	54	30	5.22	51.63
R-W5CN-6024	976	60	24	5.22	54.2
R-W5CN-6030	1141	60	30	5.22	56.32

Code	Price	Width (in)	Depth (in)	Vol (ft <sup>3</sup> )	Weight (lb)
freestanding 90 degree Without Grommet					
R-W5NN-4824	768	48	24	5.22	47.43
R-W5NN-4830	799	48	30	5.22	50.21
R-W5NN-5424	877	54	24	5.22	49.45
R-W5NN-5430	997	54	30	5.22	51.63
R-W5NN-6024	976	60	24	5.22	54.2
R-W5NN-6030	1141	60	30	5.22	56.32

Code	Price	Width (in)	Depth (in)	Vol (ft <sup>3</sup> )	Weight (lb)
freestanding integrated curved Without Grommet					
R-W5CN-4623	768	46	23	5.22	47.43
R-W5CN-4629	799	46	29	5.22	50.21
R-W5CN-5223	877	52	23	5.22	49.45
R-W5CN-5229	997	52	29	5.22	51.63
R-W5CN-5823	976	58	23	5.22	54.2
R-W5CN-5829	1141	58	29	5.22	56.32

Code	Price	Width (in)	Depth (in)	Vol (ft <sup>3</sup> )	Weight (lb)
freestanding integrated 90 degree Without Grommet					
R-W5NN-4623	768	46	23	5.22	47.43
R-W5NN-4629	799	46	29	5.22	50.12
R-W5NN-5223	877	52	23	5.22	49.43
R-W5NN-5229	997	52	29	5.22	51.6
R-W5NN-5823	976	58	23	5.22	54.01
R-W5NN-5829	1141	58	29	5.22	56.03



**What's Included:**

Unitized Volley tables (1) with two grommets (2) a set of height adjustable supports (1) and one digital height display unit (1).

**How to Specify:**

Grommet can be specified in silver or white.  
 Edge color will default to match the surface color of the worksurface unless otherwise specified.  
 Pinch points are taken into account in all of the Integrated tables.

**Notes:**

Straight desk worksurface is 1-inch thick.  
 All worksurfaces have 2mm vinyl edge trim.  
 Low pressure laminate is available on the top surface of a worksurface.  
 Table height can be adjusted to 25.5" from the ground and raised to a maximum height of 51" from the ground.  
 Load capacity of 320 lbs with worksurface.

**Freestanding Options:**

Width	60", 66", 72", 78", 84"		
Depth	48", 54", 60"		
End	24", 30"		
Worksurface Laminate	laminate color		
Leg color	silver	white	black
Leg style	C legs	T legs	

**Integrated Options:**

Width	58", 64", 70", 76", 82"		
Depth	46", 52", 58"		
End	23", 29"		
Worksurface Laminate	laminate color		
Leg color	silver	white	black

Code	Price	Width (in) range	Vol (ft <sup>3</sup> )	Weight (lb)
3 leg Base - 5 Sided - T LEG				
R-HA3T1-S	1975	46"-72"	4.22	146
R-HA3T1-L	1975	73"-90"	4.27	148

Code	Price	Width (in) range	Vol (ft <sup>3</sup> )	Weight (lb)
Unitized Base - C LEG				
R-HA3C1-S	1975	46"-72"	4.22	146
R-HA3C1-L	1975	73"-90"	4.27	148

Code	Price	W (in)	Depth (in)	End (in)	Volume (ft <sup>3</sup> )	Weight (lb)
unitized surface - freestanding curved With grommet						
R-WUCG-604824-L	1133	60	48	24	5.42	46.03
R-WUCG-604824-R	1133	60	48	24	5.42	46.03
R-WUCG-604830-L	1163	60	48	30	5.42	48.13
R-WUCG-604830-R	1163	60	48	30	5.42	48.13
R-WUCG-605424-L	1244	60	54	24	5.42	47.06
R-WUCG-605424-R	1244	60	54	24	5.42	47.06
R-WUCG-605430-L	1274	60	54	30	5.42	49.32
R-WUCG-605430-R	1274	60	54	30	5.42	49.32
R-WUCG-664824-L	1256	66	48	24	5.42	48.13
R-WUCG-664824-R	1256	66	48	24	5.42	48.13
R-WUCG-664830-L	1291	66	48	30	5.42	49.56
R-WUCG-664830-R	1291	66	48	30	5.42	49.56
R-WUCG-665424-L	1376	66	54	24	5.42	49.26
R-WUCG-665424-R	1376	66	54	24	5.42	49.26
R-WUCG-665430-L	1406	66	54	30	5.42	51.96
R-WUCG-665430-R	1406	66	54	30	5.42	51.96

Code	Price	W (in)	Depth (in)	End (in)	Volume (ft <sup>3</sup> )	Weight (lb)
unitized surface - freestanding curved With grommet - continued						
R-WUCG-666024-L	1494	66	60	24	5.42	52.36
R-WUCG-666024-R	1494	66	60	24	5.42	52.36
R-WUCG-666030-L	1528	66	60	30	5.42	54.65
R-WUCG-666030-R	1528	66	60	30	5.42	54.65
R-WUCG-724824-L	1315	72	48	24	5.42	52.33
R-WUCG-724824-R	1315	72	48	24	5.42	52.33
R-WUCG-724830-L	1345	72	48	30	5.42	53.69
R-WUCG-724830-R	1345	72	48	30	5.42	53.69
R-WUCG-725424-L	1437	72	54	24	5.42	53.65
R-WUCG-725424-R	1437	72	54	24	5.42	53.65
R-WUCG-725430-L	1473	72	54	30	5.42	55.21
R-WUCG-725430-R	1473	72	54	30	5.42	55.21
R-WUCG-726024-L	1564	72	60	24	5.42	55.36
R-WUCG-726024-R	1564	72	60	24	5.42	55.36
R-WUCG-726030-L	1596	72	60	30	5.42	57.31
R-WUCG-726030-R	1596	72	60	30	5.42	57.31
R-WUCG-784824-L	1476	78	48	24	5.42	54.16
R-WUCG-784824-R	1476	78	48	24	5.42	54.16
R-WUCG-784830-L	1513	78	48	30	5.42	56.19
R-WUCG-784830-R	1513	78	48	30	5.42	56.19

Code	Price	W (in)	Depth (in)	End (in)	Volume (ft <sup>3</sup> )	Weight (lb)
unitized surface - freestanding curved With grommet - continued						
R-WUCG-785424-L	1612	78	54	24	5.42	56.61
R-WUCG-785424-R	1612	78	54	24	5.42	56.61
R-WUCG-785430-L	1649	78	54	30	5.42	58.17
R-WUCG-785430-R	1649	78	54	30	5.42	58.17
R-WUCG-786024-L	1751	78	60	24	5.42	57.96
R-WUCG-786024-R	1751	78	60	24	5.42	57.96
R-WUCG-786030-L	1788	78	60	30	5.42	58.62
R-WUCG-786030-R	1788	78	60	30	5.42	58.62
R-WUCG-844824-L	1619	84	48	24	5.42	56.16
R-WUCG-844824-R	1619	84	48	24	5.42	56.16
R-WUCG-844830-L	1654	84	48	30	5.42	58.32
R-WUCG-844830-R	1654	84	48	30	5.42	58.32
R-WUCG-845424-L	1770	84	54	24	5.42	58.6
R-WUCG-845424-R	1770	84	54	24	5.42	58.6
R-WUCG-845430-L	1805	84	54	30	5.42	59.63
R-WUCG-845430-R	1805	84	54	30	5.42	59.63
R-WUCG-846024-L	1923	84	60	24	5.42	59.99
R-WUCG-846024-R	1923	84	60	24	5.42	59.99
R-WUCG-846030-L	1955	84	60	30	5.42	61.34
R-WUCG-846030-R	1955	84	60	30	5.42	61.34

Code	Price	W (in)	Depth (in)	End (in)	Volume (ft <sup>3</sup> )	Weight (lb)
unitized surface - freestanding curved Without grommet						
R-WUCN-604824-L	1123	60	48	24	5.42	46.03
R-WUCN-604824-R	1123	60	48	24	5.42	46.03
R-WUCN-604830-L	1153	60	48	30	5.42	48.13
R-WUCN-604830-R	1153	60	48	30	5.42	48.13
R-WUCN-605424-L	1234	60	54	24	5.42	47.06
R-WUCN-605424-R	1234	60	54	24	5.42	47.06
R-WUCN-605430-L	1264	60	54	30	5.42	49.32
R-WUCN-605430-R	1264	60	54	30	5.42	49.32
R-WUCN-664824-L	1246	66	48	24	5.42	48.13
R-WUCN-664824-R	1246	66	48	24	5.42	48.13
R-WUCN-664830-L	1281	66	48	30	5.42	49.56
R-WUCN-664830-R	1281	66	48	30	5.42	49.56
R-WUCN-665424-L	1366	66	54	24	5.42	49.26
R-WUCN-665424-R	1366	66	54	24	5.42	49.26
R-WUCN-665430-L	1396	66	54	30	5.42	51.96
R-WUCN-665430-R	1396	66	54	30	5.42	51.96
R-WUCN-666024-L	1484	66	60	24	5.42	52.36
R-WUCN-666024-R	1484	66	60	24	5.42	52.36
R-WUCN-666030-L	1518	66	60	30	5.42	54.65
R-WUCN-666030-R	1518	66	60	30	5.42	54.65
R-WUCN-724824-L	1305	72	48	24	5.42	52.33
R-WUCN-724824-R	1305	72	48	24	5.42	52.33
R-WUCN-724830-L	1335	72	48	30	5.42	53.69
R-WUCN-724830-R	1335	72	48	30	5.42	53.69
R-WUCN-725424-L	1427	72	54	24	5.42	53.65
R-WUCN-725424-R	1427	72	54	24	5.42	53.65
R-WUCN-725430-L	1463	72	54	30	5.42	55.21
R-WUCN-725430-R	1463	72	54	30	5.42	55.21

Code	Price	W (in)	Depth (in)	End (in)	Volume (ft <sup>3</sup> )	Weight (lb)
unitized surface - freestanding curved Without grommet						
R-WUCN-726024-L	1554	72	60	24	5.42	55.36
R-WUCN-726024-R	1554	72	60	24	5.42	55.36
R-WUCN-726030-L	1586	72	60	30	5.42	57.31
R-WUCN-726030-R	1586	72	60	30	5.42	57.31
R-WUCN-784824-L	1466	78	48	24	5.42	54.16
R-WUCN-784824-R	1466	78	48	24	5.42	54.16
R-WUCN-784830-L	1503	78	48	30	5.42	56.19
R-WUCN-784830-R	1503	78	48	30	5.42	56.19
R-WUCN-785424-L	1602	78	54	24	5.42	56.61
R-WUCN-785424-R	1602	78	54	24	5.42	56.61
R-WUCN-785430-L	1639	78	54	30	5.42	58.17
R-WUCN-785430-R	1639	78	54	30	5.42	58.17
R-WUCN-786024-L	1741	78	60	24	5.42	57.96
R-WUCN-786024-R	1741	78	60	24	5.42	57.96
R-WUCN-786030-L	1778	78	60	30	5.42	58.62
R-WUCN-786030-R	1778	78	60	30	5.42	58.62
R-WUCN-844824-L	1609	84	48	24	5.42	56.16
R-WUCN-844824-R	1609	84	48	24	5.42	56.16
R-WUCN-844830-L	1644	84	48	30	5.42	58.32
R-WUCN-844830-R	1644	84	48	30	5.42	58.32
R-WUCN-845424-L	1760	84	54	24	5.42	58.6
R-WUCN-845424-R	1760	84	54	24	5.42	58.6
R-WUCN-845430-L	1795	84	54	30	5.42	59.63
R-WUCN-845430-R	1795	84	54	30	5.42	59.63
R-WUCN-846024-L	1913	84	60	24	5.42	59.99
R-WUCN-846024-R	1913	84	60	24	5.42	59.99
R-WUCN-846030-L	1945	84	60	30	5.42	61.34
R-WUCN-846030-R	1945	84	60	30	5.42	61.34

Code	Price	W (in)	Depth (in)	End (in)	Volume (ft <sup>3</sup> )	Weight (lb)
unitized surface - freestanding 90 degree With Grommet						
R-WUNG-604824-L	1133	60	48	24	5.42	46.03
R-WUNG-604824-R	1133	60	48	24	5.42	46.03
R-WUNG-604830-L	1163	60	48	30	5.42	48.13
R-WUNG-604830-R	1163	60	48	30	5.42	48.13
R-WUNG-605424-L	1244	60	54	24	5.42	47.06
R-WUNG-605424-R	1244	60	54	24	5.42	47.06
R-WUNG-605430-L	1274	60	54	30	5.42	49.32
R-WUNG-605430-R	1274	60	54	30	5.42	49.32
R-WUNG-664824-L	1256	66	48	24	5.42	48.13
R-WUNG-664824-R	1256	66	48	24	5.42	48.13
R-WUNG-664830-L	1291	66	48	30	5.42	49.56
R-WUNG-664830-R	1291	66	48	30	5.42	49.56
R-WUNG-665424-L	1376	66	54	24	5.42	49.26
R-WUNG-665424-R	1376	66	54	24	5.42	49.26
R-WUNG-665430-L	1406	66	54	30	5.42	51.96
R-WUNG-665430-R	1406	66	54	30	5.42	51.96
R-WUNG-666024-L	1494	66	60	24	5.42	52.36
R-WUNG-666024-R	1494	66	60	24	5.42	52.36
R-WUNG-666030-L	1528	66	60	30	5.42	54.65
R-WUNG-666030-R	1528	66	60	30	5.42	54.65
R-WUNG-724824-L	1315	72	48	24	5.42	52.33
R-WUNG-724824-R	1315	72	48	24	5.42	52.33
R-WUNG-724830-L	1345	72	48	30	5.42	53.69
R-WUNG-724830-R	1345	72	48	30	5.42	53.69
R-WUNG-725424-L	1437	72	54	24	5.42	53.65
R-WUNG-725424-R	1437	72	54	24	5.42	53.65
R-WUNG-725430-L	1473	72	54	30	5.42	55.21
R-WUNG-725430-R	1473	72	54	30	5.42	55.21

Code	Price	W (in)	Depth (in)	End (in)	Volume (ft <sup>3</sup> )	Weight (lb)
unitized surface - freestanding 90 degree With Grommet - continued						
R-WUNG-726024-L	1564	72	60	24	5.42	55.36
R-WUNG-726024-R	1564	72	60	24	5.42	55.36
R-WUNG-726030-L	1596	72	60	30	5.42	57.31
R-WUNG-726030-R	1596	72	60	30	5.42	57.31
R-WUNG-784824-L	1476	78	48	24	5.42	54.16
R-WUNG-784824-R	1476	78	48	24	5.42	54.16
R-WUNG-784830-L	1513	78	48	30	5.42	56.19
R-WUNG-784830-R	1513	78	48	30	5.42	56.19
R-WUNG-785424-L	1612	78	54	24	5.42	56.61
R-WUNG-785424-R	1612	78	54	24	5.42	56.61
R-WUNG-785430-L	1649	78	54	30	5.42	58.17
R-WUNG-785430-R	1649	78	54	30	5.42	58.17
R-WUNG-786024-L	1751	78	60	24	5.42	57.96
R-WUNG-786024-R	1751	78	60	24	5.42	57.96
R-WUNG-786030-L	1788	78	60	30	5.42	58.62
R-WUNG-786030-R	1788	78	60	30	5.42	58.62
R-WUNG-844824-L	1619	84	48	24	5.42	56.16
R-WUNG-844824-R	1619	84	48	24	5.42	56.16
R-WUNG-844830-L	1654	84	48	30	5.42	58.32
R-WUNG-844830-R	1654	84	48	30	5.42	58.32
R-WUNG-845424-L	1770	84	54	24	5.42	58.6
R-WUNG-845424-R	1770	84	54	24	5.42	58.6
R-WUNG-845430-L	1805	84	54	30	5.42	59.63
R-WUNG-845430-R	1805	84	54	30	5.42	59.63
R-WUNG-846024-L	1923	84	60	24	5.42	59.99
R-WUNG-846024-R	1923	84	60	24	5.42	59.99
R-WUNG-846030-L	1955	84	60	30	5.42	61.34
R-WUNG-846030-R	1955	84	60	30	5.42	61.34

Code	Price	W (in)	Depth (in)	End (in)	Volume (ft <sup>3</sup> )	Weight (lb)
unitized surface - integrated curved With Grommet						
R-WUCG-584623-L	1133	58	46	23	5.42	46
R-WUCG-584623-R	1133	58	46	23	5.42	46
R-WUCG-584629-L	1163	58	46	29	5.42	48.1
R-WUCG-584629-R	1163	58	46	29	5.42	48.1
R-WUCG-585223-L	1244	58	52	23	5.42	47.03
R-WUCG-585223-R	1244	58	52	23	5.42	47.03
R-WUCG-585229-L	1274	58	52	29	5.42	49.3
R-WUCG-585229-R	1274	58	52	29	5.42	49.3
R-WUCG-644623-L	1256	64	46	23	5.42	48
R-WUCG-644623-R	1256	64	46	23	5.42	48
R-WUCG-644629-L	1291	64	46	29	5.42	48.92
R-WUCG-644629-R	1291	64	46	29	5.42	48.92
R-WUCG-645223-L	1376	64	52	23	5.42	49.23
R-WUCG-645223-R	1376	64	52	23	5.42	49.23
R-WUCG-645229-L	1406	64	52	29	5.42	51.93
R-WUCG-645229-R	1406	64	52	29	5.42	51.93
R-WUCG-645823-L	1494	64	58	23	5.42	52.33
R-WUCG-645823-R	1494	64	58	23	5.42	52.33
R-WUCG-645829-L	1528	64	58	29	5.42	54.62
R-WUCG-645829-R	1528	64	58	29	5.42	54.62
R-WUCG-704623-L	1315	70	46	23	5.42	52.3
R-WUCG-704623-R	1315	70	46	23	5.42	52.3
R-WUCG-704629-L	1345	70	46	29	5.42	53.66
R-WUCG-704629-R	1345	70	46	29	5.42	53.66
R-WUCG-705223-L	1437	70	52	23	5.42	53.62
R-WUCG-705223-R	1437	70	52	23	5.42	53.62
R-WUCG-705229-L	1473	70	52	29	5.42	55.18
R-WUCG-705229-R	1473	70	52	29	5.42	55.18

Code	Price	W (in)	Depth (in)	End (in)	Volume (ft <sup>3</sup> )	Weight (lb)
unitized surface - integrated curved With grommet - continued						
R-WUCG-705823-L	1564	70	58	23	5.42	55.33
R-WUCG-705823-R	1564	70	58	23	5.42	55.33
R-WUCG-705829-L	1596	70	58	29	5.42	57.28
R-WUCG-705829-R	1596	70	58	29	5.42	57.28
R-WUCG-764623-L	1476	76	46	23	5.42	54.13
R-WUCG-764623-R	1476	76	46	23	5.42	54.13
R-WUCG-764629-L	1513	76	46	29	5.42	56.16
R-WUCG-764629-R	1513	76	46	29	5.42	56.16
R-WUCG-765223-L	1612	76	52	23	5.42	56.58
R-WUCG-765223-R	1612	76	52	23	5.42	56.58
R-WUCG-765229-L	1649	76	52	29	5.42	57.14
R-WUCG-765229-R	1649	76	52	29	5.42	57.14
R-WUCG-765823-L	1751	76	58	23	5.42	57.93
R-WUCG-765823-R	1751	76	58	23	5.42	57.93
R-WUCG-765829-L	1788	76	58	29	5.42	58.59
R-WUCG-765829-R	1788	76	58	29	5.42	58.59
R-WUCG-824623-L	1619	82	46	23	5.42	56.13
R-WUCG-824623-R	1619	82	46	23	5.42	56.13
R-WUCG-824629-L	1654	82	46	29	5.42	58.28
R-WUCG-824629-R	1654	82	46	29	5.42	58.28
R-WUCG-825223-L	1770	82	52	23	5.42	58.57
R-WUCG-825223-R	1770	82	52	23	5.42	58.57
R-WUCG-825229-L	1805	82	52	29	5.42	59.6
R-WUCG-825229-R	1805	82	52	29	5.42	59.6
R-WUCG-825823-L	1923	82	58	23	5.42	59.96
R-WUCG-825823-R	1923	82	58	23	5.42	59.96
R-WUCG-825829-L	1955	82	58	29	5.42	61.31
R-WUCG-825829-R	1955	82	58	29	5.42	61.31

Code	Price	W (in)	Depth (in)	End (in)	Volume (ft <sup>3</sup> )	Weight (lb)
unitized surface - integrated curved Without Grommet						
R-WUCN-584623-L	1123	58	46	23	5.42	46
R-WUCN-584623-R	1123	58	46	23	5.42	46
R-WUCN-584629-L	1153	58	46	29	5.42	48.1
R-WUCN-584629-R	1153	58	46	29	5.42	48.1
R-WUCN-585223-L	1234	58	52	23	5.42	47.03
R-WUCN-585223-R	1234	58	52	23	5.42	47.03
R-WUCN-585229-L	1264	58	52	29	5.42	49.3
R-WUCN-585229-R	1264	58	52	29	5.42	49.3
R-WUCN-644623-L	1246	64	46	23	5.42	48
R-WUCN-644623-R	1246	64	46	23	5.42	48
R-WUCN-644629-L	1281	64	46	29	5.42	48.92
R-WUCN-644629-R	1281	64	46	29	5.42	48.92
R-WUCN-645223-L	1366	64	52	23	5.42	49.23
R-WUCN-645223-R	1366	64	52	23	5.42	49.23
R-WUCN-645229-L	1396	64	52	29	5.42	51.93
R-WUCN-645229-R	1396	64	52	29	5.42	51.93
R-WUCN-645823-L	1484	64	58	23	5.42	52.33
R-WUCN-645823-R	1484	64	58	23	5.42	52.33
R-WUCN-645829-L	1518	64	58	29	5.42	54.62
R-WUCN-645829-R	1518	64	58	29	5.42	54.62
R-WUCN-704623-L	1305	70	46	23	5.42	52.3
R-WUCN-704623-R	1305	70	46	23	5.42	52.3
R-WUCN-704629-L	1335	70	46	29	5.42	53.66
R-WUCN-704629-R	1335	70	46	29	5.42	53.66
R-WUCN-705223-L	1427	70	52	23	5.42	53.62
R-WUCN-705223-R	1427	70	52	23	5.42	53.62
R-WUCN-705229-L	1463	70	52	29	5.42	55.18
R-WUCN-705229-R	1463	70	52	29	5.42	55.18

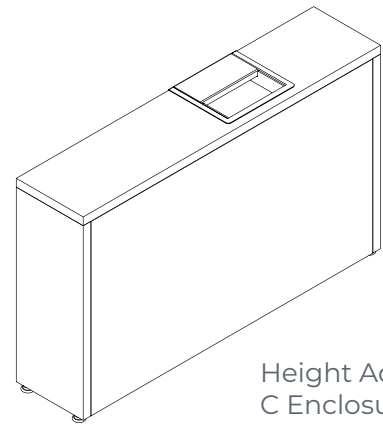
Code	Price	W (in)	Depth (in)	End (in)	Volume (ft <sup>3</sup> )	Weight (lb)
unitized surface - integrated curved Without Grommet - continued						
R-WUCN-705823-L	1554	70	58	23	5.42	55.33
R-WUCN-705823-R	1554	70	58	23	5.42	55.33
R-WUCN-705829-L	1586	70	58	29	5.42	57.28
R-WUCN-705829-R	1586	70	58	29	5.42	57.28
R-WUCN-764623-L	1466	76	46	23	5.42	54.13
R-WUCN-764623-R	1466	76	46	23	5.42	54.13
R-WUCN-764629-L	1503	76	46	29	5.42	56.16
R-WUCN-764629-R	1503	76	46	29	5.42	56.16
R-WUCN-765223-L	1602	76	52	23	5.42	56.58
R-WUCN-765223-R	1602	76	52	23	5.42	56.58
R-WUCN-765229-L	1639	76	52	29	5.42	57.14
R-WUCN-765229-R	1639	76	52	29	5.42	57.14
R-WUCN-765823-L	1741	76	58	23	5.42	57.93
R-WUCN-765823-R	1741	76	58	23	5.42	57.93
R-WUCN-765829-L	1778	76	58	29	5.42	58.59
R-WUCN-765829-R	1778	76	58	29	5.42	58.59
R-WUCN-824623-L	1609	82	46	23	5.42	56.13
R-WUCN-824623-R	1609	82	46	23	5.42	56.13
R-WUCN-824629-L	1644	82	46	29	5.42	58.28
R-WUCN-824629-R	1644	82	46	29	5.42	58.28
R-WUCN-825223-L	1760	82	52	23	5.42	58.57
R-WUCN-825223-R	1760	82	52	23	5.42	58.57
R-WUCN-825229-L	1795	82	52	29	5.42	59.6
R-WUCN-825229-R	1795	82	52	29	5.42	59.6
R-WUCN-825823-L	1913	82	58	23	5.42	59.96
R-WUCN-825823-R	1913	82	58	23	5.42	59.96
R-WUCN-825829-L	1945	82	58	29	5.42	61.31
R-WUCN-825829-R	1945	82	58	29	5.42	61.31

Code	Price	W (in)	Depth (in)	End (in)	Volume (ft <sup>3</sup> )	Weight (lb)
unitized surface - integrated 90 degree With Grommet						
R-WUNG-584623-L	1187	60	48	24	5.42	46.03
R-WUNG-584623-R	1187	60	48	24	5.42	46.03
R-WUNG-585223-L	1303	60	48	30	5.42	48.13
R-WUNG-585223-R	1303	60	48	30	5.42	48.13
R-WUNG-585229-L	1340	60	54	24	5.42	47.06
R-WUNG-585229-R	1340	60	54	24	5.42	47.06
R-WUNG-644623-L	1317	60	54	30	5.42	49.32
R-WUNG-644623-R	1317	60	54	30	5.42	49.32
R-WUNG-645223-L	1444	66	48	24	5.42	48.13
R-WUNG-645223-R	1444	66	48	24	5.42	48.13
R-WUNG-645229-L	1476	66	48	30	5.42	49.56
R-WUNG-645229-R	1476	66	48	30	5.42	49.56
R-WUNG-645823-L	1567	66	54	24	5.42	49.26
R-WUNG-645823-R	1567	66	54	24	5.42	49.26
R-WUNG-645829-L	1603	66	54	30	5.42	51.96
R-WUNG-645829-R	1603	66	54	30	5.42	51.96
R-WUNG-704623-L	1379	66	60	24	5.42	52.36
R-WUNG-704623-R	1379	66	60	24	5.42	52.36
R-WUNG-705223-L	1505	66	60	30	5.42	54.65
R-WUNG-705223-R	1505	66	60	30	5.42	54.65
R-WUNG-705229-L	1545	72	48	24	5.42	52.33
R-WUNG-705229-R	1545	72	48	24	5.42	52.33
R-WUNG-705823-L	1638	72	48	30	5.42	53.69
R-WUNG-705823-R	1638	72	48	30	5.42	53.69

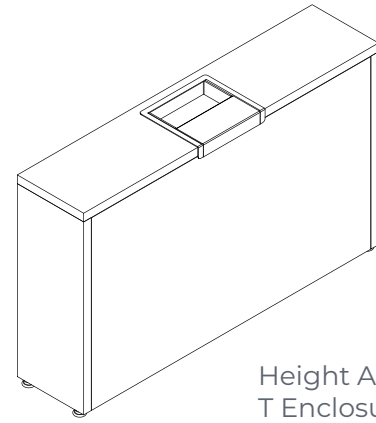
Code	Price	W (in)	Depth (in)	End (in)	Volume (ft <sup>3</sup> )	Weight (lb)
unitized surface - integrated 90 degree With grommet - continued						
R-WUNG-705829-L	1674	72	54	24	5.42	53.65
R-WUNG-705829-R	1674	72	54	24	5.42	53.65
R-WUNG-764623-L	1550	72	54	30	5.42	55.21
R-WUNG-764623-R	1550	72	54	30	5.42	55.21
R-WUNG-765223-L	1691	72	60	24	5.42	55.36
R-WUNG-765223-R	1691	72	60	24	5.42	55.36
R-WUNG-765229-L	1731	72	60	30	5.42	57.31
R-WUNG-765229-R	1731	72	60	30	5.42	57.31
R-WUNG-765823-L	1837	78	48	24	5.42	54.16
R-WUNG-765823-R	1837	78	48	24	5.42	54.16
R-WUNG-765829-L	1873	78	48	30	5.42	56.19
R-WUNG-765829-R	1873	78	48	30	5.42	56.19
R-WUNG-824623-L	1697	78	54	24	5.42	56.61
R-WUNG-824623-R	1697	78	54	24	5.42	56.61
R-WUNG-825223-L	1856	78	54	30	5.42	58.17
R-WUNG-825223-R	1856	78	54	30	5.42	58.17
R-WUNG-825229-L	1894	78	60	24	5.42	57.96
R-WUNG-825229-R	1894	78	60	24	5.42	57.96
R-WUNG-825823-L	2017	78	60	30	5.42	58.62
R-WUNG-825823-R	2017	78	60	30	5.42	58.62
R-WUNG-825829-L	2050	84	48	24	5.42	56.16
R-WUNG-825829-R	2050	84	48	24	5.42	56.16

Code	Price	W (in)	Depth (in)	End (in)	Volume (ft <sup>3</sup> )	Weight (lb)
unitized surface - integrated 90 degree With Grommet						
R-WUNN-584623-L	1177	58	46	23	5.42	46
R-WUNN-584623-R	1177	58	52	23	5.42	46
R-WUNN-585223-L	1293	58	52	23	5.42	48.1
R-WUNN-585223-R	1293	58	52	29	5.42	48.1
R-WUNN-585229-L	1330	58	52	29	5.42	47.03
R-WUNN-585229-R	1330	64	46	23	5.42	47.03
R-WUNN-644623-L	1307	64	46	23	5.42	49.3
R-WUNN-644623-R	1307	64	52	23	5.42	49.3
R-WUNN-645223-L	1434	64	52	23	5.42	48
R-WUNN-645223-R	1434	64	52	29	5.42	48
R-WUNN-645229-L	1466	64	52	29	5.42	48.92
R-WUNN-645229-R	1466	64	58	23	5.42	48.92
R-WUNN-645823-L	1557	64	58	23	5.42	49.23
R-WUNN-645823-R	1557	64	58	29	5.42	49.23
R-WUNN-645829-L	1593	64	58	29	5.42	51.93
R-WUNN-645829-R	1593	70	46	23	5.42	51.93
R-WUNN-704623-L	1369	70	46	23	5.42	52.33
R-WUNN-704623-R	1369	70	52	23	5.42	52.33
R-WUNN-705223-L	1495	70	52	23	5.42	54.62
R-WUNN-705223-R	1495	70	52	29	5.42	54.62
R-WUNN-705229-L	1535	70	52	29	5.42	52.3
R-WUNN-705229-R	1535	70	58	23	5.42	52.3
R-WUNN-705823-L	1628	70	58	23	5.42	53.66
R-WUNN-705823-R	1628	70	58	29	5.42	53.66

Code	Price	W (in)	Depth (in)	End (in)	Volume (ft <sup>3</sup> )	Weight (lb)
unitized surface - integrated 90 degree Without grommet						
R-WUNN-705829-L	1664	70	58	29	5.42	53.62
R-WUNN-705829-R	1664	76	46	23	5.42	53.62
R-WUNN-764623-L	1540	76	46	23	5.42	55.18
R-WUNN-764623-R	1540	76	52	23	5.42	55.18
R-WUNN-765223-L	1681	76	52	23	5.42	55.33
R-WUNN-765223-R	1681	76	52	29	5.42	55.33
R-WUNN-765229-L	1721	76	52	29	5.42	57.28
R-WUNN-765229-R	1721	76	58	23	5.42	57.28
R-WUNN-765823-L	1827	76	58	23	5.42	54.13
R-WUNN-765823-R	1827	76	58	29	5.42	54.13
R-WUNN-765829-L	1863	76	58	29	5.42	56.16
R-WUNN-765829-R	1863	82	46	23	5.42	56.16
R-WUNN-824623-L	1687	82	46	23	5.42	56.58
R-WUNN-824623-R	1687	82	52	23	5.42	56.58
R-WUNN-825223-L	1846	82	52	23	5.42	57.14
R-WUNN-825223-R	1846	82	52	29	5.42	57.14
R-WUNN-825229-L	1884	82	52	29	5.42	57.93
R-WUNN-825229-R	1884	82	58	23	5.42	57.93
R-WUNN-825823-L	2007	82	58	23	5.42	58.59
R-WUNN-825823-R	2007	82	58	29	5.42	58.59
R-WUNN-825829-L	2040	82	58	29	5.42	56.13
R-WUNN-825829-R	2040	82	58	29	5.42	56.13



Height Adjustable Table  
C Enclosure Box



Height Adjustable Table  
T Enclosure Box

**What's Included:**

HAT enclosure box

**How to Specify:**

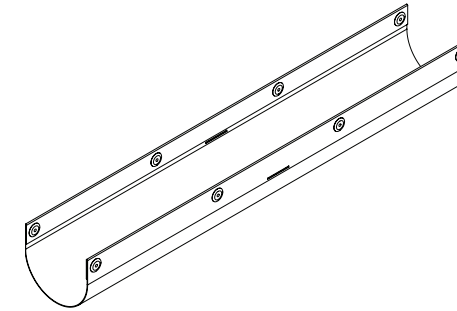
Laminate comes with automatically matching vinyl trim unless otherwise specified.

**Options:**

Depth 25.5", 30"

Enclosure laminate color

Code	Price	H (in)	W (in)	D (in)
<b>HAT Enclosure Box - T LEG</b>				
R-HBOX-180725	1054	18.25	6.75	25.5
R-HBOX-180730	1057	18.25	6.75	30
<b>HAT Enclosure Box - C LEG</b>				
R-CBOX-180725-L	1054	18-1/4"	6-3/4"	25-1/2"
R-CBOX-180725-R	1054	18-1/4"	6-3/4"	25-1/2"
R-CBOX-180730-L	1057	18-1/4"	6-3/4"	30"
R-CBOX-180730-R	1057	18-1/4"	6-3/4"	30"



Flex Cable Organizer

**What's Included:**

Flex Cable organizer

**How to Specify:**

This accessory is available in grey only.

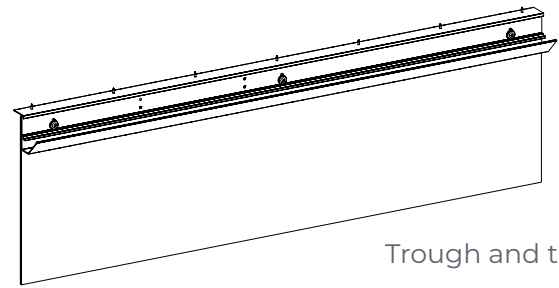
**Notes:**

Designed to fit the Volley height adjustable table frame.  
Attaches to frame using magnets. Can also be attached to underside of worksurface using screws.  
Height under worksurface is 5" after installation.  
Made from flexible woven seam welded plastic.  
Includes 2" opening midway on both sides for cable access

**Options:**

Depth 10"

Code	Price	W (in)	D (in)
V-EWMM-3610	106	36	10



Trough and trough mounted modesty

**What's Included:**

Trough and trough mounted modesty for Volley height adjustable table

**How to Specify:**

Modesty can be specified in frosted acrylic or laminate.

Laminate modesty will default to match the worksurface color unless otherwise specified.

**Notes:**

Modesty size is adjusted to incorporate Volley height adjustable table enclosures

**Options:**

Width 46", 52", 58", 64", 70"

Modesty frosted acrylic or laminate color

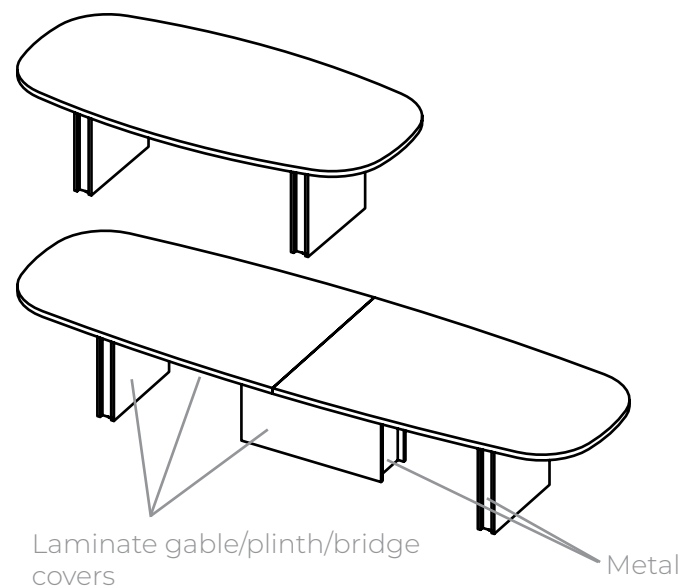
Code	Price	H (in)	W (in)
<b>Laminate Modesty</b>			
R-HMOD-6021	651	21	46
R-HMOD-6621	664	21	52
R-HMOD-7221	713	21	58
R-HMOD-7821	767	21	64
R-HMOD-8421	782	21	70
<b>Frosted Acrylic Modesty</b>			
R-HMOD-6021-F	989	21	46
R-HMOD-6621-F	1097	21	52
R-HMOD-7221-F	1130	21	58
R-HMOD-7821-F	1385	21	64
R-HMOD-8421-F	1390	21	70



Tables Pricebook  
June 2026  
**Norris Tables**

Norris tables

<u>super ellipse without power and data</u>	34
<u>super ellipse with power and data</u>	36
<u>video without power and data</u>	38
<u>video with power and data</u>	40
<u>boat without power and data</u>	42
<u>boat with power and data</u>	44
<u>straight without power and data</u>	46
<u>straight with power and data</u>	48
<u>options</u>	50
<u>add-on Kit</u>	51



**What's Included:**

- Steel bridge under structure.
- 1.5" thick laminate top plinth + gable covers.
- Two metal gables with removable laminate covers for wire management.
- Under bridge cover conceals all wires.
- Sizes 108" and 240" come with a horizontal plinth with fixed laminate covers + removable metal insert.

**How to Specify:**

- Laminate comes with automatically matching vinyl trim unless otherwise specified.
- Metal accent color.
- Plinth laminates and gable covers can match or contrast the chosen top color.
- Metal Gables, bridge, and plinth side covers are painted in matching powder paint color.

**Options:**

Width	72", 84", 96", 108", 120", 132", 144", 156", 168", 180", 192", 204", 216", 228", 240"
Depth	36", 42", 48", 60"
Worksurface Laminate Color	
Gable + Plinth	Laminate Color
Metal Accent Color	

Code	Price	Height (in)	Width (in)	Depth (in)	Volume (ft <sup>3</sup> )	Weight (lb)
R-BE1N-7236	3091	29.5	72	36	5.04	72.58
R-BE1N-8436	3309	29.5	84	36	5.88	84.67
R-BE1N-9636	3478	29.5	96	36	6.72	96.77
R-BE1N-7242	3437	29.5	72	42	5.88	84.67
R-BE1N-8442	3609	29.5	84	42	6.86	98.78
R-BE1N-9642	3786	29.5	96	42	7.84	112.9
R-BE1N-10842	3969	29.5	108	42	8.82	127.01
R-BE1N-12042	4153	29.5	120	42	9.8	141.12
R-BE1N-8448	3828	29.5	84	48	7.84	112.9
R-BE1N-9648	3960	29.5	96	48	8.96	129.02
R-BE1N-10848	5366	29.5	108	48	10.08	145.15
R-BE1N-12048	5603	29.5	120	48	11.2	161.28
R-BE1N-13248	6174	29.5	132	48	12.32	177.41
R-BE1N-14448	6428	29.5	144	48	13.44	193.54
R-BE1N-15648	6680	29.5	156	48	14.56	209.66
R-BE1N-16848	7233	29.5	168	48	15.68	225.79
R-BE1N-18048	7334	29.5	180	48	16.8	241.92
R-BE1N-19248	7432	29.5	192	48	17.92	258.05
R-BE1N-20448	9309	29.5	204	48	19.04	274.18
R-BE1N-21648	9575	29.5	216	48	20.16	290.3
R-BE1N-22848	9838	29.5	228	48	21.28	306.43
R-BE1N-24048	10386	29.5	240	48	22.4	322.56
R-BE1N-10860	6448	29.5	108	60	12.6	181.44
R-BE1N-12060	6734	29.5	120	60	14	201.6
R-BE1N-13260	7023	29.5	132	60	15.4	221.76
R-BE1N-14460	7318	29.5	144	60	16.8	241.92
R-BE1N-15660	7610	29.5	156	60	18.2	262.08
R-BE1N-16860	7894	29.5	168	60	19.6	282.24
R-BE1N-18060	8191	29.5	180	60	21	302.4
R-BE1N-19260	8476	29.5	192	60	22.4	322.56
R-BE1N-20460	10487	29.5	204	60	23.8	342.72
R-BE1N-21660	10791	29.5	216	60	25.2	362.88
R-BE1N-22860	11089	29.5	228	60	26.6	383.04
R-BE1N-24060	11382	29.5	240	60	28	403.2



**What's Included:**

- Steel bridge under structure.
- 1.5" thick laminate top plinth + gable covers.
- Two metal gables with removable laminate covers for wire management.
- Under bridge cover conceals all wires.
- Sizes 108" and 240" come with a horizontal plinth with fixed laminate covers + removable metal insert.

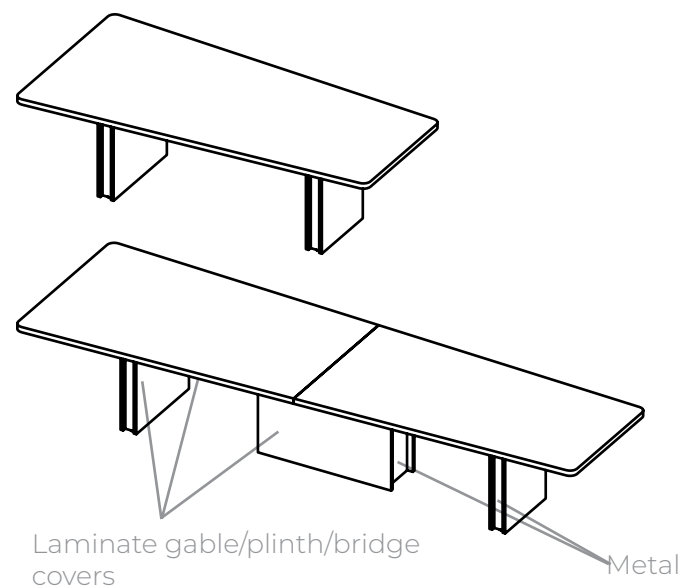
**How to Specify:**

- Laminate comes with automatically matching vinyl trim unless otherwise specified.
- Metal accent color.
- Plinth laminates and gable covers can match or contrast the chosen top color.
- Metal Gables, bridge, and plinth side covers are painted in matching powder paint color.

**Options:**

Width	72", 84", 96", 108", 120", 132", 144", 156", 168", 180", 192", 204", 216", 228", 240"
Depth	36", 42", 48", 60"
Worksurface Laminate Color	
Gable + Plinth Laminate Color	
Metal Accent Color	

Code	Price	Height (in)	Width (in)	Depth (in)	Volume (ft <sup>3</sup> )	Weight (lb)
R-BE1E-7236	4621	29.5	72	36	5.04	72.58
R-BE1E-8436	4839	29.5	84	36	5.88	84.67
R-BE1E-9636	5009	29.5	96	36	6.72	96.77
R-BE1E-7242	4966	29.5	72	42	5.88	84.67
R-BE1E-8442	5138	29.5	84	42	6.86	98.78
R-BE1E-9642	5316	29.5	96	42	7.84	112.9
R-BE1E-10842	5497	29.5	108	42	8.82	127.01
R-BE1E-12042	5684	29.5	120	42	9.8	141.12
R-BE1E-8448	5360	29.5	84	48	7.84	112.9
R-BE1E-9648	5493	29.5	96	48	8.96	129.02
R-BE1E-10848	8426	29.5	108	48	10.08	145.15
R-BE1E-12048	8663	29.5	120	48	11.2	161.28
R-BE1E-13248	9405	29.5	132	48	12.32	177.41
R-BE1E-14448	9661	29.5	144	48	13.44	193.54
R-BE1E-15648	9910	29.5	156	48	14.56	209.66
R-BE1E-16848	10465	29.5	168	48	15.68	225.79
R-BE1E-18048	10566	29.5	180	48	16.8	241.92
R-BE1E-19248	10663	29.5	192	48	17.92	258.05
R-BE1E-20448	13990	29.5	204	48	19.04	274.18
R-BE1E-21648	14146	29.5	216	48	20.16	290.3
R-BE1E-22848	14474	29.5	228	48	21.28	306.43
R-BE1E-24048	15092	29.5	240	48	22.4	322.56
R-BE1E-10860	9682	29.5	108	60	12.6	181.44
R-BE1E-12060	9968	29.5	120	60	14	201.6
R-BE1E-13260	10256	29.5	132	60	15.4	221.76
R-BE1E-14460	10552	29.5	144	60	16.8	241.92
R-BE1E-15660	10841	29.5	156	60	18.2	262.08
R-BE1E-16860	11129	29.5	168	60	19.6	282.24
R-BE1E-18060	11421	29.5	180	60	21	302.4
R-BE1E-19260	11712	29.5	192	60	22.4	322.56
R-BE1E-20460	15210	29.5	204	60	23.8	342.72
R-BE1E-21660	15397	29.5	216	60	25.2	362.88
R-BE1E-22860	15762	29.5	228	60	26.6	383.04
R-BE1E-24060	16128	29.5	240	60	28	403.2



**What's Included:**

- Steel bridge under structure.
- 1.5" thick laminate top plinth + gable covers.
- Two metal gables with removable laminate covers for wire management.
- Under bridge cover conceals all wires.
- Sizes 108" and 240" come with a horizontal plinth with fixed laminate covers + removable metal insert.

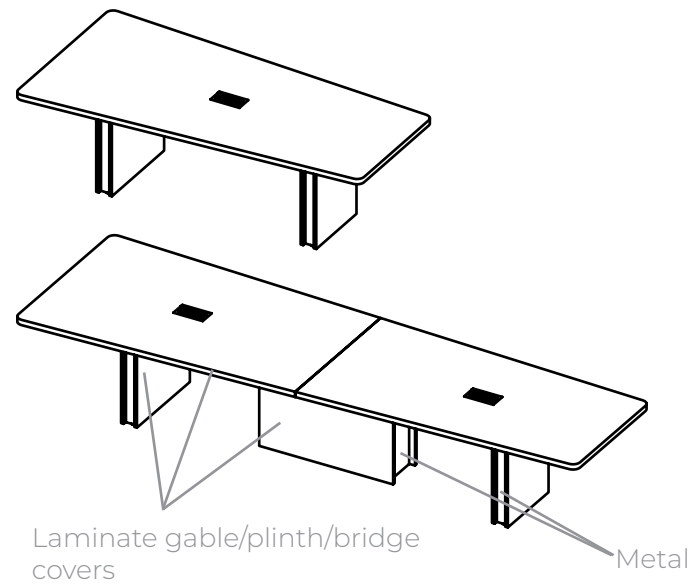
**How to Specify:**

- Laminate comes with automatically matching vinyl trim unless otherwise specified.
- Metal accent color.
- Plinth laminates and gable covers can match or contrast the chosen top color.
- Metal Gables, bridge, and plinth side covers are painted in matching powder paint color.

**Options:**

Width	72", 84", 96", 108", 120", 132", 144", 156", 168", 180", 192", 204", 216", 228", 240"
Depth	36", 42", 48", 60"
Worksurface Laminate Color	
Gable + Plinth Laminate Color	
Metal Accent Color	

Code	Price	Height (in)	Width (in)	Depth (in)	Volume (ft <sup>3</sup> )	Weight (lb)
R-BV1N-7236	3091	29.5	72	36	5.04	72.58
R-BV1N-8436	3309	29.5	84	36	5.88	84.67
R-BV1N-9636	3478	29.5	96	36	6.72	96.77
R-BV1N-7242	3437	29.5	72	42	5.88	84.67
R-BV1N-8442	3609	29.5	84	42	6.86	98.78
R-BV1N-9642	3786	29.5	96	42	7.84	112.9
R-BV1N-10842	3969	29.5	108	42	8.82	127.01
R-BV1N-12042	4153	29.5	120	42	9.8	141.12
R-BV1N-8448	3828	29.5	84	48	7.84	112.9
R-BV1N-9648	3960	29.5	96	48	8.96	129.02
R-BV1N-10848	5366	29.5	108	48	10.08	145.15
R-BV1N-12048	5603	29.5	120	48	11.2	161.28
R-BV1N-13248	6174	29.5	132	48	12.32	177.41
R-BV1N-14448	6428	29.5	144	48	13.44	193.54
R-BV1N-15648	6680	29.5	156	48	14.56	209.66
R-BV1N-16848	7233	29.5	168	48	15.68	225.79
R-BV1N-18048	7334	29.5	180	48	16.8	241.92
R-BV1N-19248	7432	29.5	192	48	17.92	258.05
R-BV1N-20448	9309	29.5	204	48	19.04	274.18
R-BV1N-21648	9575	29.5	216	48	20.16	290.3
R-BV1N-22848	9838	29.5	228	48	21.28	306.43
R-BV1N-24048	10386	29.5	240	48	22.4	322.56
R-BV1N-10860	6448	29.5	108	60	12.6	181.44
R-BV1N-12060	6734	29.5	120	60	14	201.6
R-BV1N-13260	7023	29.5	132	60	15.4	221.76
R-BV1N-14460	7318	29.5	144	60	16.8	241.92
R-BV1N-15660	7610	29.5	156	60	18.2	262.08
R-BV1N-16860	7894	29.5	168	60	19.6	282.24
R-BV1N-18060	8191	29.5	180	60	21	302.4
R-BV1N-19260	8476	29.5	192	60	22.4	322.56
R-BV1N-20460	10487	29.5	204	60	23.8	342.72
R-BV1N-21660	10791	29.5	216	60	25.2	362.88
R-BV1N-22860	11089	29.5	228	60	26.6	383.04
R-BV1N-24060	11382	29.5	240	60	28	403.2



**What's Included:**

- Steel bridge under structure.
- 1.5" thick laminate top plinth + gable covers.
- Two metal gables with removable laminate covers for wire management.
- Under bridge cover conceals all wires.
- Sizes 108" and 240" come with a horizontal plinth with fixed laminate covers + removable metal insert.

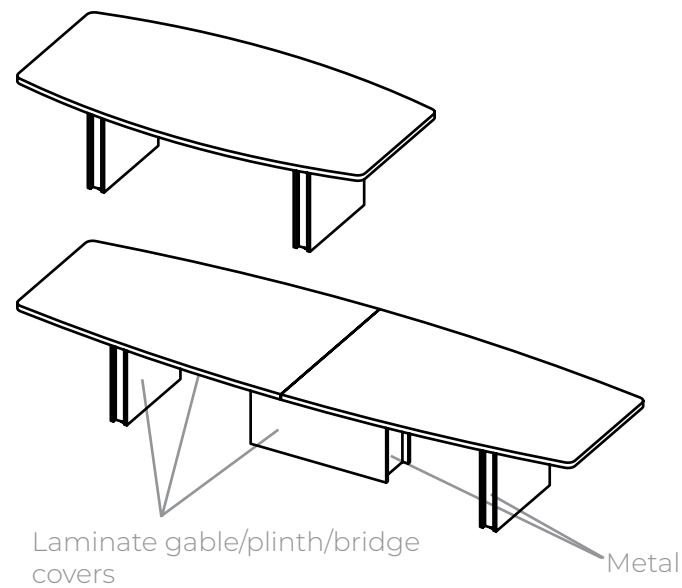
**How to Specify:**

- Laminate comes with automatically matching vinyl trim unless otherwise specified.
- Metal accent color.
- Plinth laminates and gable covers can match or contrast the chosen top color.
- Metal Gables, bridge, and plinth side covers are painted in matching powder paint color.

**Options:**

Width	72", 84", 96", 108", 120", 132", 144", 156", 168", 180", 192", 204", 216", 228", 240"
Depth	36", 42", 48", 60"
Worksurface Laminate Color	
Gable + Plinth Laminate Color	
Metal Accent Color	

Code	Price	Height (in)	Width (in)	Depth (in)	Volume (ft <sup>3</sup> )	Weight (lb)
R-BV1E-7236	4621	29.5	72	36	5.04	72.58
R-BV1E-8436	4839	29.5	84	36	5.88	84.67
R-BV1E-9636	5009	29.5	96	36	6.72	96.77
R-BV1E-7242	4966	29.5	72	42	5.88	84.67
R-BV1E-8442	5138	29.5	84	42	6.86	98.78
R-BV1E-9642	5316	29.5	96	42	7.84	112.9
R-BV1E-10842	5497	29.5	108	42	8.82	127.01
R-BV1E-12042	5684	29.5	120	42	9.8	141.12
R-BV1E-8448	5360	29.5	84	48	7.84	112.9
R-BV1E-9648	5493	29.5	96	48	8.96	129.02
R-BV1E-10848	8426	29.5	108	48	10.08	145.15
R-BV1E-12048	8663	29.5	120	48	11.2	161.28
R-BV1E-13248	9405	29.5	132	48	12.32	177.41
R-BV1E-14448	9661	29.5	144	48	13.44	193.54
R-BV1E-15648	9910	29.5	156	48	14.56	209.66
R-BV1E-16848	10465	29.5	168	48	15.68	225.79
R-BV1E-18048	10566	29.5	180	48	16.8	241.92
R-BV1E-19248	10663	29.5	192	48	17.92	258.05
R-BV1E-20448	13990	29.5	204	48	19.04	274.18
R-BV1E-21648	14146	29.5	216	48	20.16	290.3
R-BV1E-22848	14474	29.5	228	48	21.28	306.43
R-BV1E-24048	15092	29.5	240	48	22.4	322.56
R-BV1E-10860	9682	29.5	108	60	12.6	181.44
R-BV1E-12060	9968	29.5	120	60	14	201.6
R-BV1E-13260	10256	29.5	132	60	15.4	221.76
R-BV1E-14460	10552	29.5	144	60	16.8	241.92
R-BV1E-15660	10841	29.5	156	60	18.2	262.08
R-BV1E-16860	11129	29.5	168	60	19.6	282.24
R-BV1E-18060	11421	29.5	180	60	21	302.4
R-BV1E-19260	11712	29.5	192	60	22.4	322.56
R-BV1E-20460	15210	29.5	204	60	23.8	342.72
R-BV1E-21660	15397	29.5	216	60	25.2	362.88
R-BV1E-22860	15762	29.5	228	60	26.6	383.04
R-BV1E-24060	16128	29.5	240	60	28	403.2



**What's Included:**

- Steel bridge under structure.
- 1.5" thick laminate top plinth + gable covers.
- Two metal gables with removable laminate covers for wire management.
- Under bridge cover conceals all wires.
- Sizes 108" and 240" come with a horizontal plinth with fixed laminate covers + removable metal insert.

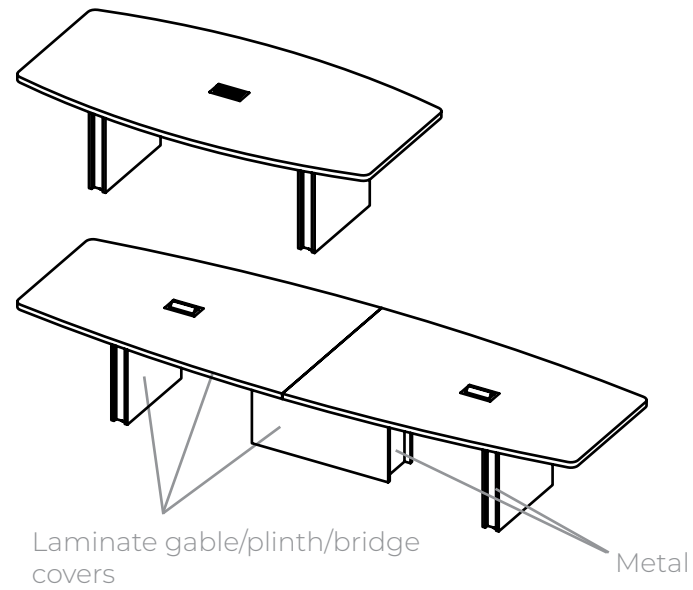
**How to Specify:**

- Laminate comes with automatically matching vinyl trim unless otherwise specified.
- Metal accent color.
- Plinth laminates and gable covers can match or contrast the chosen top color.
- Metal Gables, bridge, and plinth side covers are painted in matching powder paint color.

**Options:**

Width	72", 84", 96", 108", 120", 132", 144", 156", 168", 180", 192", 204", 216", 228", 240"
Depth	36", 42", 48", 60"
Worksurface Laminate Color	
Gable + Plinth Laminate Color	
Metal Accent Color	

Code	Price	Height (in)	Width (in)	Depth (in)	Volume (ft <sup>3</sup> )	Weight (lb)
R-BB1N-7236	3091	29.5	72	36	5.04	72.58
R-BB1N-8436	3309	29.5	84	36	5.88	84.67
R-BB1N-9636	3478	29.5	96	36	6.72	96.77
R-BB1N-7242	3437	29.5	72	42	5.88	84.67
R-BB1N-8442	3609	29.5	84	42	6.86	98.78
R-BB1N-9642	3786	29.5	96	42	7.84	112.9
R-BB1N-10842	3969	29.5	108	42	8.82	127.01
R-BB1N-12042	4153	29.5	120	42	9.8	141.12
R-BB1N-8448	3828	29.5	84	48	7.84	112.9
R-BB1N-9648	3960	29.5	96	48	8.96	129.02
R-BB1N-10848	5366	29.5	108	48	10.08	145.15
R-BB1N-12048	5603	29.5	120	48	11.2	161.28
R-BB1N-13248	6174	29.5	132	48	12.32	177.41
R-BB1N-14448	6428	29.5	144	48	13.44	193.54
R-BB1N-15648	6680	29.5	156	48	14.56	209.66
R-BB1N-16848	7233	29.5	168	48	15.68	225.79
R-BB1N-18048	7334	29.5	180	48	16.8	241.92
R-BB1N-19248	7432	29.5	192	48	17.92	258.05
R-BB1N-20448	9309	29.5	204	48	19.04	274.18
R-BB1N-21648	9575	29.5	216	48	20.16	290.3
R-BB1N-22848	9838	29.5	228	48	21.28	306.43
R-BB1N-24048	10386	29.5	240	48	22.4	322.56
R-BB1N-10860	6448	29.5	108	60	12.6	181.44
R-BB1N-12060	6734	29.5	120	60	14	201.6
R-BB1N-13260	7023	29.5	132	60	15.4	221.76
R-BB1N-14460	7318	29.5	144	60	16.8	241.92
R-BB1N-15660	7610	29.5	156	60	18.2	262.08
R-BB1N-16860	7894	29.5	168	60	19.6	282.24
R-BB1N-18060	8191	29.5	180	60	21	302.4
R-BB1N-19260	8476	29.5	192	60	22.4	322.56
R-BB1N-20460	10487	29.5	204	60	23.8	342.72
R-BB1N-21660	10791	29.5	216	60	25.2	362.88
R-BB1N-22860	11089	29.5	228	60	26.6	383.04
R-BB1N-24060	11382	29.5	240	60	28	403.2



**What's Included:**

- Steel bridge under structure.
- 1.5" thick laminate top plinth + gable covers.
- Two metal gables with removable laminate covers for wire management.
- Under bridge cover conceals all wires.
- Sizes 108" and 240" come with a horizontal plinth with fixed laminate covers + removable metal insert.

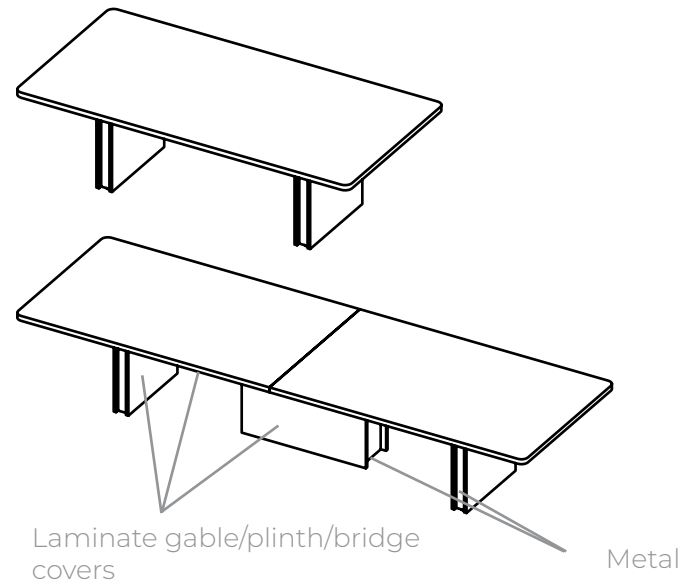
**How to Specify:**

- Laminate comes with automatically matching vinyl trim unless otherwise specified.
- Metal accent color.
- Plinth laminates and gable covers can match or contrast the chosen top color.
- Metal Gables, bridge, and plinth side covers are painted in matching powder paint color.

**Options:**

Width	72", 84", 96", 108", 120", 132", 144", 156", 168", 180", 192", 204", 216", 228", 240"
Depth	36", 42", 48", 60"
Worksurface Laminate Color	
Gable + Plinth Laminate Color	
Metal Accent Color	

Code	Price	Height (in)	Width (in)	Depth (in)	Volume (ft <sup>3</sup> )	Weight (lb)
R-BB1E-7236	4621	29.5	72	36	5.04	72.58
R-BB1E-8436	4839	29.5	84	36	5.88	84.67
R-BB1E-9636	5009	29.5	96	36	6.72	96.77
R-BB1E-7242	4966	29.5	72	42	5.88	84.67
R-BB1E-8442	5138	29.5	84	42	6.86	98.78
R-BB1E-9642	5316	29.5	96	42	7.84	112.9
R-BB1E-10842	5497	29.5	108	42	8.82	127.01
R-BB1E-12042	5684	29.5	120	42	9.8	141.12
R-BB1E-8448	5360	29.5	84	48	7.84	112.9
R-BB1E-9648	5493	29.5	96	48	8.96	129.02
R-BB1E-10848	8426	29.5	108	48	10.08	145.15
R-BB1E-12048	8663	29.5	120	48	11.2	161.28
R-BB1E-13248	9405	29.5	132	48	12.32	177.41
R-BB1E-14448	9661	29.5	144	48	13.44	193.54
R-BB1E-15648	9910	29.5	156	48	14.56	209.66
R-BB1E-16848	10465	29.5	168	48	15.68	225.79
R-BB1E-18048	10566	29.5	180	48	16.8	241.92
R-BB1E-19248	10663	29.5	192	48	17.92	258.05
R-BB1E-20448	13990	29.5	204	48	19.04	274.18
R-BB1E-21648	14146	29.5	216	48	20.16	290.3
R-BB1E-22848	14474	29.5	228	48	21.28	306.43
R-BB1E-24048	15092	29.5	240	48	22.4	322.56
R-BB1E-10860	9682	29.5	108	60	12.6	181.44
R-BB1E-12060	9968	29.5	120	60	14	201.6
R-BB1E-13260	10256	29.5	132	60	15.4	221.76
R-BB1E-14460	10552	29.5	144	60	16.8	241.92
R-BB1E-15660	10841	29.5	156	60	18.2	262.08
R-BB1E-16860	11129	29.5	168	60	19.6	282.24
R-BB1E-18060	11421	29.5	180	60	21	302.4
R-BB1E-19260	11712	29.5	192	60	22.4	322.56
R-BB1E-20460	15210	29.5	204	60	23.8	342.72
R-BB1E-21660	15397	29.5	216	60	25.2	362.88
R-BB1E-22860	15762	29.5	228	60	26.6	383.04
R-BB1E-24060	16128	29.5	240	60	28	403.2



**What's Included:**

- Steel bridge under structure.
- 1.5" thick laminate top plinth + gable covers.
- Two metal gables with removable laminate covers for wire management.
- Under bridge cover conceals all wires.
- Sizes 108" and 240" come with a horizontal plinth with fixed laminate covers + removable metal insert.

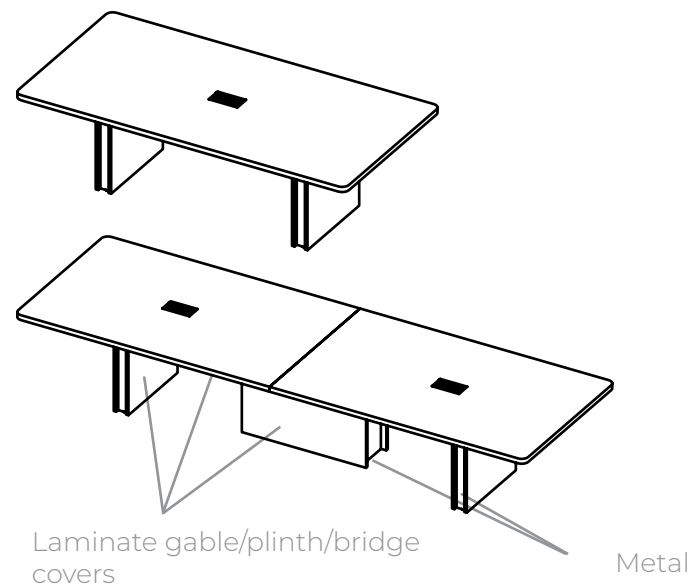
**How to Specify:**

- Laminate comes with automatically matching vinyl trim unless otherwise specified.
- Metal accent color.
- Plinth laminates and gable covers can match or contrast the chosen top color.
- Metal Gables, bridge, and plinth side covers are painted in matching powder paint color.

**Options:**

Width	72", 84", 96", 108", 120", 132", 144", 156", 168", 180", 192", 204", 216", 228", 240"
Depth	36", 42", 48", 60"
Worksurface Laminate Color	
Gable + Plinth Laminate Color	
Metal Accent Color	

Code	Price	Height (in)	Width (in)	Depth (in)	Volume (ft <sup>3</sup> )	Weight (lb)
R-BS1N-7236	3091	29.5	72	36	5.04	72.58
R-BS1N-8436	3309	29.5	84	36	5.88	84.67
R-BS1N-9636	3478	29.5	96	36	6.72	96.77
R-BS1N-7242	3437	29.5	72	42	5.88	84.67
R-BS1N-8442	3609	29.5	84	42	6.86	98.78
R-BS1N-9642	3786	29.5	96	42	7.84	112.9
R-BS1N-10842	3969	29.5	108	42	8.82	127.01
R-BS1N-12042	4153	29.5	120	42	9.8	141.12
R-BS1N-8448	3828	29.5	84	48	7.84	112.9
R-BS1N-9648	3960	29.5	96	48	8.96	129.02
R-BS1N-10848	5366	29.5	108	48	10.08	145.15
R-BS1N-12048	5603	29.5	120	48	11.2	161.28
R-BS1N-13248	6174	29.5	132	48	12.32	177.41
R-BS1N-14448	6428	29.5	144	48	13.44	193.54
R-BS1N-15648	6680	29.5	156	48	14.56	209.66
R-BS1N-16848	7233	29.5	168	48	15.68	225.79
R-BS1N-18048	7334	29.5	180	48	16.8	241.92
R-BS1N-19248	7432	29.5	192	48	17.92	258.05
R-BS1N-20448	9309	29.5	204	48	19.04	274.18
R-BS1N-21648	9575	29.5	216	48	20.16	290.3
R-BS1N-22848	9838	29.5	228	48	21.28	306.43
R-BS1N-24048	10386	29.5	240	48	22.4	322.56
R-BS1N-10860	6448	29.5	108	60	12.6	181.44
R-BS1N-12060	6734	29.5	120	60	14	201.6
R-BS1N-13260	7023	29.5	132	60	15.4	221.76
R-BS1N-14460	7318	29.5	144	60	16.8	241.92
R-BS1N-15660	7610	29.5	156	60	18.2	262.08
R-BS1N-16860	7894	29.5	168	60	19.6	282.24
R-BS1N-18060	8191	29.5	180	60	21	302.4
R-BS1N-19260	8476	29.5	192	60	22.4	322.56
R-BS1N-20460	10487	29.5	204	60	23.8	342.72
R-BS1N-21660	10791	29.5	216	60	25.2	362.88
R-BS1N-22860	11089	29.5	228	60	26.6	383.04
R-BS1N-24060	11382	29.5	240	60	28	403.2



**What's Included:**

- Steel bridge under structure.
- 1.5" thick laminate top plinth + gable covers.
- Two metal gables with removable laminate covers for wire management.
- Under bridge cover conceals all wires.
- Sizes 108" and 240" come with a horizontal plinth with fixed laminate covers + removable metal insert.

**How to Specify:**

- Laminate comes with automatically matching vinyl trim unless otherwise specified.
- Metal accent color.
- Plinth laminates and gable covers can match or contrast the chosen top color.
- Metal Gables, bridge, and plinth side covers are painted in matching powder paint color.

**Options:**

Width	72", 84", 96", 108", 120", 132", 144", 156", 168", 180", 192", 204", 216", 228", 240"
Depth	36", 42", 48", 60"
Worksurface Laminate Color	
Gable + Plinth Laminate Color	
Metal Accent Color	

Code	Price	Height (in)	Width (in)	Depth (in)	Volume (ft <sup>3</sup> )	Weight (lb)
R-BS1E-7236	4621	29.5	72	36	5.04	72.58
R-BS1E-8436	4839	29.5	84	36	5.88	84.67
R-BS1E-9636	5009	29.5	96	36	6.72	96.77
R-BS1E-7242	4966	29.5	72	42	5.88	84.67
R-BS1E-8442	5138	29.5	84	42	6.86	98.78
R-BS1E-9642	5316	29.5	96	42	7.84	112.9
R-BS1E-10842	5497	29.5	108	42	8.82	127.01
R-BS1E-12042	5684	29.5	120	42	9.8	141.12
R-BS1E-8448	5360	29.5	84	48	7.84	112.9
R-BS1E-9648	5493	29.5	96	48	8.96	129.02
R-BS1E-10848	8426	29.5	108	48	10.08	145.15
R-BS1E-12048	8663	29.5	120	48	11.2	161.28
R-BS1E-13248	9405	29.5	132	48	12.32	177.41
R-BS1E-14448	9661	29.5	144	48	13.44	193.54
R-BS1E-15648	9910	29.5	156	48	14.56	209.66
R-BS1E-16848	10465	29.5	168	48	15.68	225.79
R-BS1E-18048	10566	29.5	180	48	16.8	241.92
R-BS1E-19248	10663	29.5	192	48	17.92	258.05
R-BS1E-20448	13990	29.5	204	48	19.04	274.18
R-BS1E-21648	14146	29.5	216	48	20.16	290.3
R-BS1E-22848	14474	29.5	228	48	21.28	306.43
R-BS1E-24048	15092	29.5	240	48	22.4	322.56
R-BS1E-10860	9682	29.5	108	60	12.6	181.44
R-BS1E-12060	9968	29.5	120	60	14	201.6
R-BS1E-13260	10256	29.5	132	60	15.4	221.76
R-BS1E-14460	10552	29.5	144	60	16.8	241.92
R-BS1E-15660	10841	29.5	156	60	18.2	262.08
R-BS1E-16860	11129	29.5	168	60	19.6	282.24
R-BS1E-18060	11421	29.5	180	60	21	302.4
R-BS1E-19260	11712	29.5	192	60	22.4	322.56
R-BS1E-20460	15210	29.5	204	60	23.8	342.72
R-BS1E-21660	15397	29.5	216	60	25.2	362.88
R-BS1E-22860	15762	29.5	228	60	26.6	383.04
R-BS1E-24060	16128	29.5	240	60	28	403.2

**Options**

Code	Price	Description	Volume	Weight
R-HDMI	223	HDMI COUPLER, 18"CORD,F/F	12	1.1
R-RJ11	87	RJ11 JACK W/84" CABLE	12	1.1
R-RJ45	230	RJ45, CAT6 W/CORD 72", BLACK	12	1.2

**Add-on Kit**

Code	Price	Description
V-ESMU-A	204	USB ADAPTER (1EA DUAL USB PORTS WITH ADAPTER)



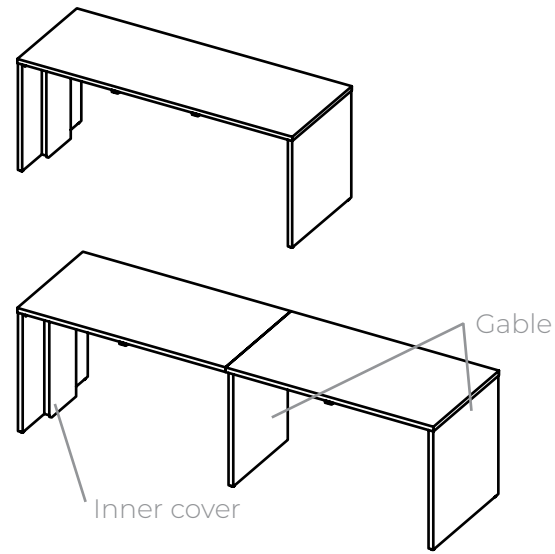
Tables Pricebook  
June 2026  
**Kip Tables**

Kip tables

<a href="#">community table without power and data</a>	54
<a href="#">community table with power and data</a>	56

**Add-on Kits**

Code	Price	Description
V-ESMU-A	204	USB ADAPTER (1EA USB A & C PORTS WITH ADAPTER)



**What's Included:**

1.5" laminate top & gables.  
 Aluminum bridge under structure.

**How to Specify:**

Gables and tops are to be selected from 1.5" laminate selection.  
 Inner covers November match the tops and gables or can be selected from a contrasting finish.  
 All metal components have an unified finish.  
 Laminates surface will automatically come with matching configured trim unless otherwise specified.

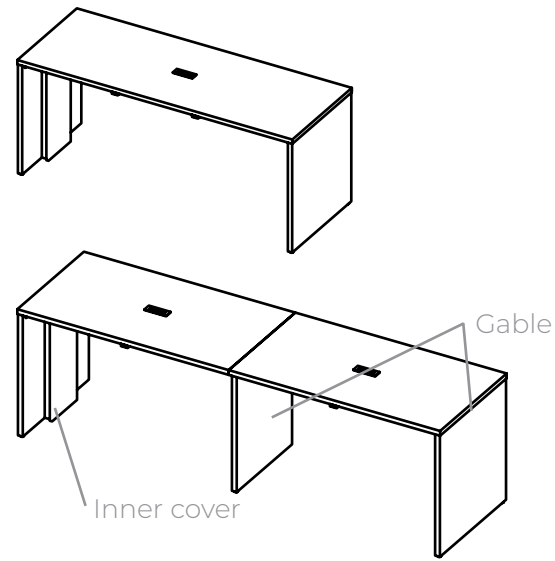
**Notes:**

Sizes between 60"-96" come as a one-piece top.  
 Sizes between 108"-144" come as a two-piece top.  
 Tables longer than 96" come with a mid-gable.

**Options:**

Width	60", 72", 84", 96", 108", 120", 144"
Depth	30", 36", 42"
Outershell	Laminate Color
Inner Cover	Laminate Color
Metal Accent	Color

Code	Price	Height (in)	Width (in)	Depth (in)	Volume (ft <sup>3</sup> )	Weight (lb)
R-PT2N-6030	6453	42	60	30	5	72
R-PT2N-7230	6549	42	72	30	6	86.4
R-PT2N-8430	6599	42	84	30	7	100.8
R-PT2N-9630	6696	42	96	30	8	115.2
R-PT2N-6036	6455	42	60	36	6	86.4
R-PT2N-7236	6553	42	72	36	7.2	103.68
R-PT2N-8436	6601	42	84	36	8.4	120.96
R-PT2N-9636	6699	42	96	36	9.6	138.24
R-PT2N-10836	9873	42	108	36	10.8	155.52
R-PT2N-12036	9978	42	120	36	12	172.8
R-PT2N-13236	10080	42	132	36	13.2	190.08
R-PT2N-14436	10184	42	144	36	14.4	207.36
R-PT2N-7242	6556	42	72	42	8.4	120.96
R-PT2N-8442	6603	42	84	42	9.8	141.12
R-PT2N-9642	6702	42	96	42	11.2	161.28
R-PT2N-10842	9880	42	108	42	12.6	181.44
R-PT2N-12042	9987	42	120	42	14	201.6
R-PT2N-13242	10085	42	132	42	15.4	221.76
R-PT2N-14442	10190	42	144	42	16.8	241.92



**What's Included:**

1.5" laminate top & gables.  
 Aluminum bridge under structure.

**How to Specify:**

Gables and tops are to be selected from 1.5" laminate selection.  
 Inner covers November match the tops and gables or can be selected from a contrasting finish.  
 All metal components have an unified finish.  
 Laminates surface will automatically come with matching configured trim unless otherwise specified.

**Notes:**

Sizes between 60"-96" come as a one-piece top.  
 Sizes between 108"-144" come as a two-piece top.  
 Tables longer than 96" come with a mid-gable.  
 Tops between 60"-96" come with one flush surface power unit consisting of 2 power & 2 USB.  
 Tops from 108"-144" come with two power units, consisting of 2 power & 2 USB.  
 When choosing optional side-mounted USB:  
 • Tables without mid-legs have 4 USB power modules.  
 • Up to 4 side mount USB units can be connected to one hub.

**Options:**

Width	60", 72", 84", 96", 108", 120", 144"
Depth	30", 36", 42"
Outershell	Laminate Color
Inner Cover	Laminate Color
Metal Accent	Color

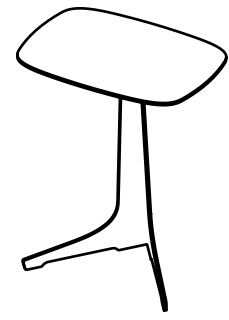
Code	Price	Height (in)	Width (in)	Depth (in)	Volume (ft <sup>3</sup> )	Weight (lb)
R-PT2P-6030	7391	42	60	30	5	72
R-PT2P-7230	7495	42	72	30	6	86.4
R-PT2P-8430	7601	42	84	30	7	100.8
R-PT2P-9630	7708	42	96	30	8	115.2
R-PT2P-6036	7396	42	60	36	6	86.4
R-PT2P-7236	7500	42	72	36	7.2	103.68
R-PT2P-8436	7608	42	84	36	8.4	120.96
R-PT2P-9636	7712	42	96	36	9.6	138.24
R-PT2P-10836	11506	42	108	36	10.8	155.52
R-PT2P-12036	11611	42	120	36	12	172.8
R-PT2P-13236	11715	42	132	36	13.2	190.08
R-PT2P-14436	11819	42	144	36	14.4	207.36
R-PT2P-7242	7506	42	72	42	8.4	120.96
R-PT2P-8442	7610	42	84	42	9.8	141.12
R-PT2P-9642	7714	42	96	42	11.2	161.28
R-PT2P-10842	11510	42	108	42	12.6	181.44
R-PT2P-12042	11615	42	120	42	14	201.6
R-PT2P-13242	11719	42	132	42	15.4	221.76
R-PT2P-14442	11821	42	144	42	16.8	241.92



Tables Pricebook  
June 2026  
**Koko Tables**

Koko tables

<u>rectangular table</u>	60
<u>round table</u>	61



**What's Included:**

*Aluminum rectangular laptop table.*

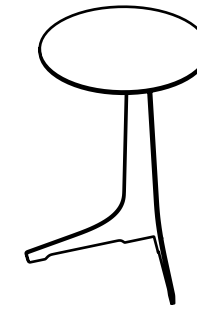
**How to Specify:**

*Metal paint color.*

**Options:**

Metal color

Code	Price	Height (in)	Width (in)	Depth (in)	Volume (ft <sup>3</sup> )	Weight (lb)
R-PTR-242014	1272	24	20	14	4	26.88



**What's Included:**

*Aluminum round laptop table.*

**How to Specify:**

*Metal paint color.*

**Options:**

Metal Color

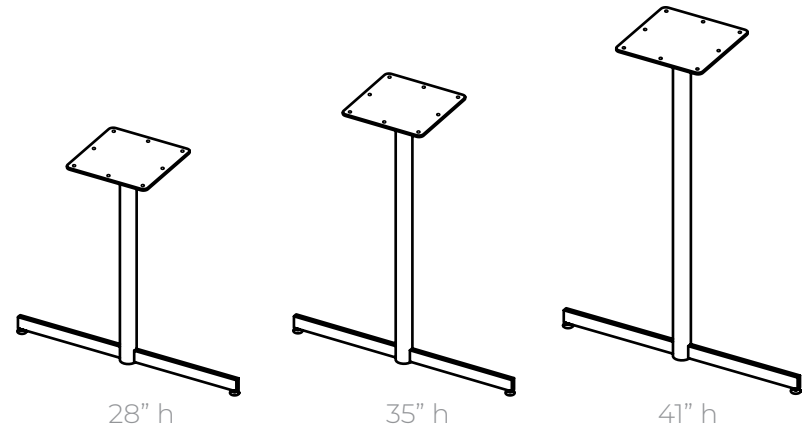
Code	Price	Height (in)	Width (in)	Depth (in)	Volume (ft <sup>3</sup> )	Weight (lb)
R-PTO-241616	1272	24	16	16	4	24.58



Tables Pricebook  
June 2026  
**Hanna**

Hanna tables

T base - slim	64
T base - tubular	66
X base - slim	68
X base - tubular	70
super ellipse top	72
round top	74
squircle top	76
rectangular top	78
square top	80



**What's Included:**

One (1) metal slim T base.

**How to Specify:**

T bases should be specified in two's.

Metal color.

24"d top - 16" spread

30"d top - 18" spread

36"d top - 22" spread

42"d top - 30" spread

48"d top - 34" spread

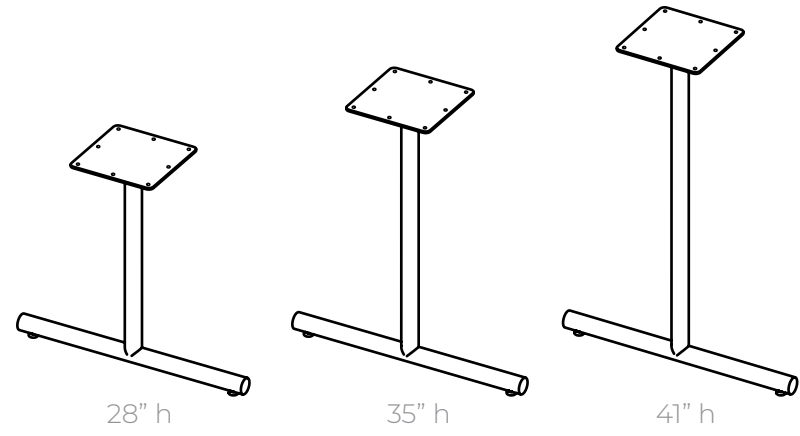
**Options:**

Spread                      16", 18", 22", 30", 34"

Height                      28", 35", 41"

Metal Color

Code	Price	Height (in)	Spread (in)	Volume (ft <sup>3</sup> )	Weight (lb)
R-HSB-T-1628	913	28	16	8	Slim T Base
R-HSB-T-1828	921	28	18	9	14
R-HSB-T-2228	920	28	22	11	14
R-HSB-T-3028	933	28	30	15	14
R-HSB-T-3428	967	28	34	17	14
R-HSB-T-1635	1286	35	16	11.5	17.5
R-HSB-T-1835	1291	35	18	12.5	17.5
R-HSB-T-2235	1295	35	22	14.5	17.5
R-HSB-T-3035	1306	35	30	18.5	17.5
R-HSB-T-3435	1341	35	34	20.5	17.5
R-HSB-T-1641	1286	41	16	14.5	20.5
R-HSB-T-1841	1291	41	18	15.5	20.5
R-HSB-T-2241	1295	41	22	17.5	20.5
R-HSB-T-3041	1306	41	30	21.5	20.5
R-HSB-T-3441	1341	41	34	23.5	20.5



**What's Included:**

One (1) metal tubular T base.

**How to Specify:**

T bases should be specified in two's.

Metal color.

24"d top - 16" spread

30"d top - 18" spread

36"d top - 22" spread

42"d top - 30" spread

48"d top - 34" spread

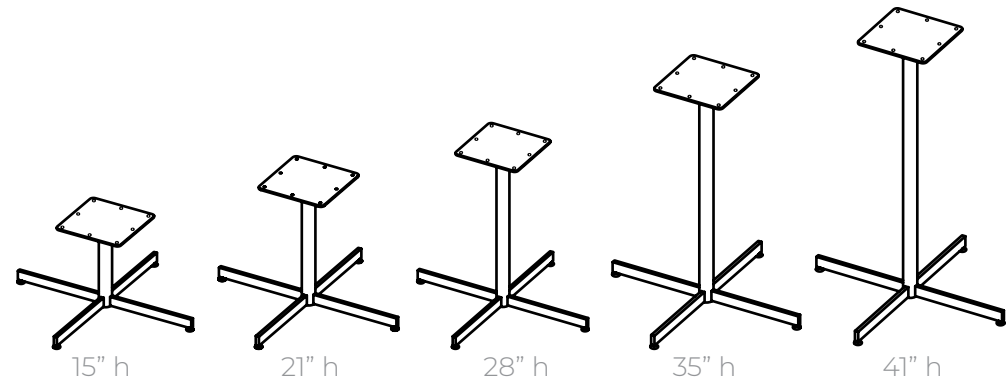
**Options:**

Spread                      16", 18", 22", 30", 34"

Height                      28", 35", 41"

Metal Color

Code	Price	Height (in)	Spread (in)	Volume (ft3)	Weight (lb)
R-HTB-T-1628	913	28	16	8	Tubular T Base
R-HTB-T-1828	917	28	18	9	14
R-HTB-T-2228	920	28	22	11	14
R-HTB-T-3028	933	28	30	15	14
R-HTB-T-3428	1225	28	34	17	14
R-HTB-T-1635	1207	35	16	11.5	17.5
R-HTB-T-1835	1209	35	18	12.5	17.5
R-HTB-T-2235	1212	35	22	14.5	17.5
R-HTB-T-3035	1225	35	30	18.5	17.5
R-HTB-T-3435	1563	35	34	20.5	17.5
R-HTB-T-1641	1286	41	16	14.5	20.5
R-HTB-T-1841	1291	41	18	15.5	20.5
R-HTB-T-2241	1295	41	22	17.5	20.5
R-HTB-T-3041	1306	41	30	21.5	20.5
R-HTB-T-3441	1642	41	34	23.5	20.5



**What's Included:**

One (1) metal slim X base.

**How to Specify:**

Metal color.

Round

24"dia - 18" spread

30"dia - 22" spread

36"dia - 26" spread

42"dia - 30" spread

48"dia - 34" spread

54"dia - 42" spread

60"dia - 48" spread

Square

18"d - 18" spread

24"d - 22" spread

30"d - 26" spread

36"d - 30" spread

42"d - 34" spread

Squircle

24"d - 22" spread

30"d - 26" spread

36"d - 30" spread

42"d - 34" spread

Rectangular & Super Ellipse

24"d - 18" spread

30"d - 22" spread

36"d - 26" spread

42"d - 30" spread

48"d - 34" spread

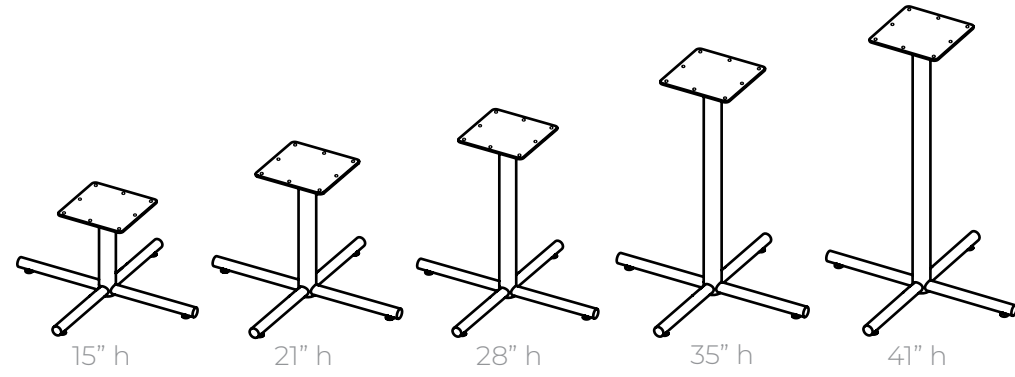
**Options:**

Spread 18", 22", 26", 30", 34", 42", 48"

Height 15", 21", 28", 35", 41"

Metal Color

Code	Price	Height (in)	Spread (in)	Volume (ft <sup>3</sup> )	Weight (lb)
R-HSB-X-1615	1212	15	16	8	Slim X Base
R-HSB-X-1815	1222	15	18	9.5	7.5
R-HSB-X-2215	1254	15	22	11.5	7.5
R-HSB-X-2615	1296	15	26	13.5	7.5
R-HSB-X-3015	1343	15	30	15.5	7.5
R-HSB-X-3415	1384	15	34	17.5	7.5
R-HSB-X-1621	1212	21	16	9	10.5
R-HSB-X-1821	1222	21	18	10.5	10.5
R-HSB-X-2221	1254	21	22	12.5	10.5
R-HSB-X-2621	1296	21	26	14.5	10.5
R-HSB-X-3021	1343	21	30	16.5	10.5
R-HSB-X-3421	1384	21	34	18.5	10.5
R-HSB-X-1628	1212	28	16	12	14
R-HSB-X-1828	1222	28	18	13.5	14
R-HSB-X-2228	1254	28	22	15.5	14
R-HSB-X-2628	1296	28	26	17.5	14
R-HSB-X-3028	1343	28	30	19.5	14
R-HSB-X-3428	1384	28	34	21.5	14
R-HSB-X-1635	1589	35	16	15	17.5
R-HSB-X-1835	1596	35	18	16.5	17.5
R-HSB-X-2235	1627	35	22	18.5	17.5
R-HSB-X-2635	1670	35	26	20.5	17.5
R-HSB-X-3035	1717	35	30	22.5	17.5
R-HSB-X-3435	1756	35	34	24.5	17.5
R-HSB-X-1641	1589	41	16	17	20.5
R-HSB-X-1841	1596	41	18	18.5	20.5
R-HSB-X-2241	1627	41	22	20.5	20.5
R-HSB-X-2641	1670	41	26	22.5	20.5
R-HSB-X-3041	1717	41	30	24.5	20.5
R-HSB-X-3441	1756	41	34	26.5	20.5



**What's Included:**

One (1) metal tubular X base.

**How to Specify:**

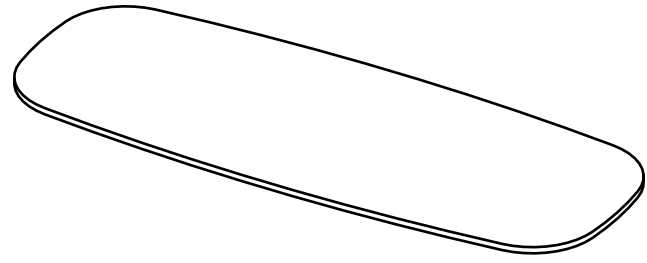
Metal color.

Round	Square	Squircle	Rectangular & Super Ellipse
24"dia - 18" spread	18"d - 18" spread	24"d - 22" spread	24"d - 18" spread
30"dia - 22" spread	24"d - 22" spread	30"d - 26" spread	30"d - 22" spread
36"dia - 26" spread	30"d - 26" spread	36"d - 30" spread	36"d - 26" spread
42"dia - 30" spread	36"d - 30" spread	42"d - 34" spread	42"d - 30" spread
48"dia - 34" spread	42"d - 34" spread		48"d - 34" spread
54"dia - 42" spread			
60"dia - 48" spread			

**Options:**

Spread	18", 22", 26", 30", 34", 42", 48"
Height	15", 21", 28", 35", 41"
Metal Color	

Code	Price	Height (in)	Spread (in)	Volume (ft <sup>3</sup> )	Weight (lb)
R-HTB-X-1615	1212	15	16	8	7.5
R-HTB-X-1815	1222	15	18	9.5	7.5
R-HTB-X-2215	1254	15	22	11.5	7.5
R-HTB-X-2615	1296	15	26	13.5	7.5
R-HTB-X-3015	1343	15	30	15.5	7.5
R-HTB-X-3415	1603	15	34	17.5	7.5
R-HTB-X-4215	2075	15	42	21.5	7.5
R-HTB-X-4815	2333	15	48	24.5	7.5
R-HTB-X-1621	1212	21	16	9	10.5
R-HTB-X-1821	1222	21	18	10.5	10.5
R-HTB-X-2221	1254	21	22	12.5	10.5
R-HTB-X-2621	1296	21	26	14.5	10.5
R-HTB-X-3021	1343	21	30	16.5	10.5
R-HTB-X-3421	1603	21	34	18.5	10.5
R-HTB-X-4221	2075	21	42	22.5	10.5
R-HTB-X-4821	2333	21	48	25.5	10.5
R-HTB-X-1628	1212	28	16	12	14
R-HTB-X-1828	1222	28	18	13.5	14
R-HTB-X-2228	1254	28	22	15.5	14
R-HTB-X-2628	1296	28	26	17.5	14
R-HTB-X-3028	1343	28	30	19.5	14
R-HTB-X-3428	1603	28	34	21.5	14
R-HTB-X-4228	2075	28	42	25.5	14
R-HTB-X-4828	2333	28	48	28.5	14
R-HTB-X-1635	1627	35	16	15	17.5
R-HTB-X-1835	1636	35	18	16.5	17.5
R-HTB-X-2235	1670	35	22	18.5	17.5
R-HTB-X-2635	1711	35	26	20.5	17.5
R-HTB-X-3035	1756	35	30	22.5	17.5
R-HTB-X-3435	1888	35	34	24.5	17.5
R-HTB-X-4235	2358	35	42	28.5	17.5
R-HTB-X-4835	2718	35	48	31.5	17.5
R-HTB-X-1641	1627	41	16	17	20.5
R-HTB-X-1841	1636	41	18	18.5	20.5
R-HTB-X-2241	1670	41	22	20.5	20.5
R-HTB-X-2641	1711	41	26	22.5	20.5
R-HTB-X-3041	1756	41	30	24.5	20.5
R-HTB-X-3441	1888	41	34	26.5	20.5
R-HTB-X-4241	2358	41	42	30.5	20.5
R-HTB-X-4841	2718	41	48	33.5	20.5



**What's Included:**

1" laminate surface.

**How to Specify:**

Must be specified with two bases.

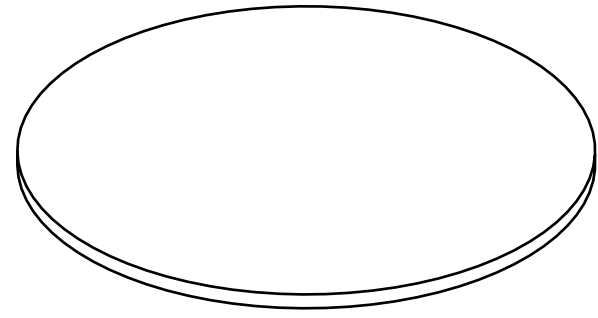
**Options:**

Width 30", 36", 42", 48", 54", 60", 66", 72", 78", 84", 90", 96"

Depth 24", 30", 36", 42", 48"

Worksurface Laminate

Code	Price	Height (in)	Width (in)	Depth (in)	Volume (ft <sup>3</sup> )	Weight (lb)
R-TE0N-3024	505	1	30	24	0.4	14.4
R-TE0N-3624	511	1	36	24	0.48	17.28
R-TE0N-4224	581	1	42	24	0.56	20.16
R-TE0N-4824	610	1	48	24	0.64	23.04
R-TE0N-5424	705	1	54	24	0.72	25.92
R-TE0N-6024	734	1	60	24	0.8	28.8
R-TE0N-6624	794	1	66	24	0.88	31.68
R-TE0N-7224	827	1	72	24	0.96	34.56
R-TE0N-7824	889	1	78	24	1.04	37.44
R-TE0N-8424	947	1	84	24	1.12	40.32
R-TE0N-9024	1063	1	90	24	1.2	43.2
R-TE0N-9624	1134	1	96	24	1.28	46.08
R-TE0N-4230	629	1	42	30	0.7	25.2
R-TE0N-4830	666	1	48	30	0.8	28.8
R-TE0N-5430	731	1	54	30	0.9	32.4
R-TE0N-6030	762	1	60	30	1	36
R-TE0N-6630	851	1	66	30	1.1	39.6
R-TE0N-7230	870	1	72	30	1.2	43.2
R-TE0N-7830	933	1	78	30	1.3	46.8
R-TE0N-8430	997	1	84	30	1.4	50.4
R-TE0N-9030	1118	1	90	30	1.5	54
R-TE0N-9630	1195	1	96	30	1.6	57.6
R-TE0N-6036	792	1	60	36	1.2	43.2
R-TE0N-6636	885	1	66	36	1.32	47.52
R-TE0N-7236	904	1	72	36	1.44	51.84
R-TE0N-7836	966	1	78	36	1.56	56.16
R-TE0N-8436	1036	1	84	36	1.68	60.48
R-TE0N-9036	1159	1	90	36	1.8	64.8
R-TE0N-9636	1238	1	96	36	1.92	69.12
R-TE0N-8442	1133	1	84	42	1.96	70.56
R-TE0N-9042	1256	1	90	42	2.1	75.6
R-TE0N-9642	1332	1	96	42	2.24	80.64
R-TE0N-8448	1230	1	84	48	2.24	80.64
R-TE0N-9048	1365	1	90	48	2.4	86.4
R-TE0N-9648	1449	1	96	48	2.56	92.16



**What's Included:**

1" laminate surface.

**How to Specify:**

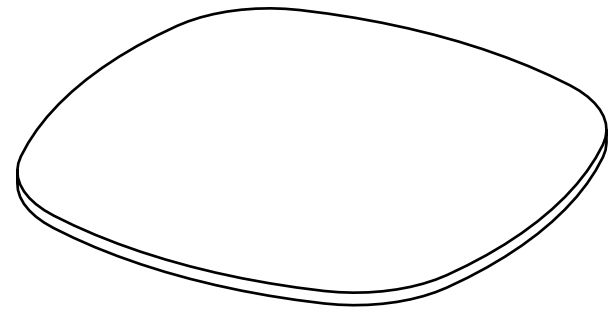
Must be specified with X-base.

**Options:**

Diameter 24", 30", 36", 42", 48", 54", 60"

Worksurface Laminate

Code	Price	Height (in)	Width (in)	Depth (in)	Volume (ft <sup>3</sup> )	Weight (lb)
R-TO0N-24	641	1	24	24	0.32	11.52
R-TO0N-30	703	1	30	30	0.5	18
R-TO0N-36	717	1	36	36	0.72	25.92
R-TO0N-42	760	1	42	42	0.98	35.28
R-TO0N-48	778	1	48	48	1.28	46.08
R-TO0N-54	891	1	54	54	1.28	52.23
R-TO0N-60	1028	1	60	60	1.38	56.32



**What's Included:**

1" laminate surface.

**How to Specify:**

Must be specified with a X-base.

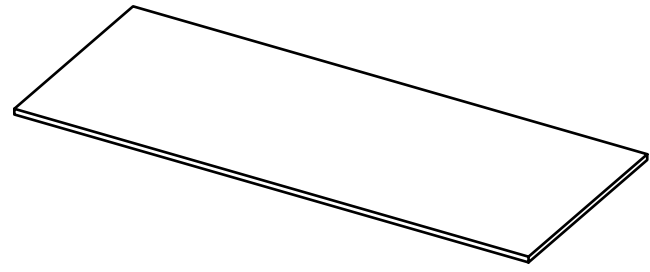
**Options:**

Width 24", 30", 36", 42", 48"

Depth 24", 30", 36", 42"

Worksurface Laminate

Code	Price	Height (in)	Width (in)	Depth (in)	Volume (ft <sup>3</sup> )	Weight (lb)
R-TQ0N-2424	641	1	24	24	0.32	11.52
R-TQ0N-3030	703	1	30	30	0.5	18
R-TQ0N-3636	717	1	36	36	0.72	25.92
R-TQ0N-4242	760	1	42	42	0.98	35.28



**What's Included:**

1" laminate surface.

**How to Specify:**

Must be specified with two bases.

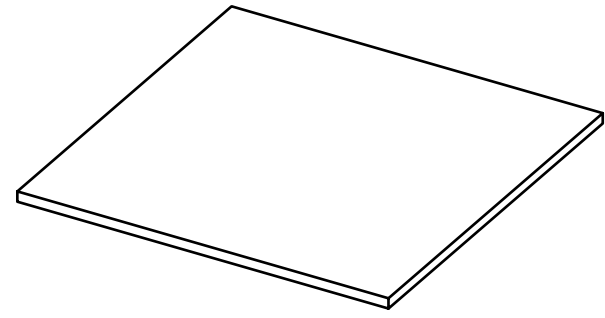
**Options:**

Width 30", 36", 42", 48", 54", 60", 66", 72", 78", 84", 90", 96"

Depth 18", 24", 30", 36", 42", 48"

Worksurface Laminate

Code	Price	Height (in)	Width (in)	Depth (in)	Volume (ft <sup>3</sup> )	Weight (lb)
R-TR0N-3024	335	1	30	24	0.4	14.4
R-TR0N-3624	340	1	36	24	0.48	17.28
R-TR0N-4224	409	1	42	24	0.56	20.16
R-TR0N-4824	438	1	48	24	0.64	23.04
R-TR0N-5424	535	1	54	24	0.72	25.92
R-TR0N-6024	565	1	60	24	0.8	28.8
R-TR0N-6624	625	1	66	24	0.88	31.68
R-TR0N-7224	656	1	72	24	0.96	34.56
R-TR0N-7824	718	1	78	24	1.04	37.44
R-TR0N-8424	778	1	84	24	1.12	40.32
R-TR0N-9024	891	1	90	24	1.2	43.2
R-TR0N-9624	964	1	96	24	1.28	46.08
R-TR0N-4230	459	1	42	30	0.7	25.2
R-TR0N-4830	496	1	48	30	0.8	28.8
R-TR0N-5430	560	1	54	30	0.9	32.4
R-TR0N-6030	592	1	60	30	1	36
R-TR0N-6630	681	1	66	30	1.1	39.6
R-TR0N-7230	700	1	72	30	1.2	43.2
R-TR0N-7830	762	1	78	30	1.3	46.8
R-TR0N-8430	827	1	84	30	1.4	50.4
R-TR0N-9030	946	1	90	30	1.5	54
R-TR0N-9630	1024	1	96	30	1.6	57.6
R-TR0N-6036	623	1	60	36	1.2	43.2
R-TR0N-6636	713	1	66	36	1.32	47.52
R-TR0N-7236	731	1	72	36	1.44	51.84
R-TR0N-7836	794	1	78	36	1.56	56.16
R-TR0N-8436	864	1	84	36	1.68	60.48
R-TR0N-9036	990	1	90	36	1.8	64.8
R-TR0N-9636	1066	1	96	36	1.92	69.12
R-TR0N-8442	961	1	84	42	1.96	70.56
R-TR0N-9042	1085	1	90	42	2.1	75.6
R-TR0N-9642	1163	1	96	42	2.24	80.64
R-TR0N-8448	1058	1	84	48	2.24	80.64
R-TR0N-9048	1194	1	90	48	2.4	86.4
R-TR0N-9648	1259	1	96	48	2.56	92.16



**What's Included:**

1" laminate surface.

**How to Specify:**

Must be specified with a X-base.

**Options:**

Width 18", 24", 30", 36", 42", 48", 54"

Depth 18", 24", 30", 36", 42", 48", 54"

Worksurface Laminate

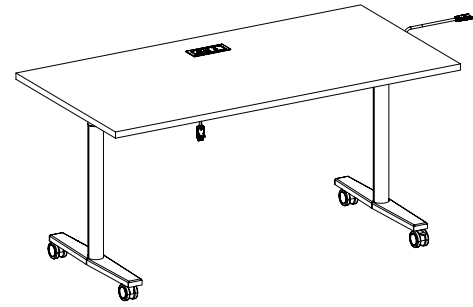
Code	Price	Height (in)	Width (in)	Depth (in)	Volume (ft <sup>3</sup> )	Weight (lb)
R-TS0N-1818	398	1	18	18	0.18	6.48
R-TS0N-2424	432	1	24	24	0.32	11.52
R-TS0N-3030	465	1	30	30	0.5	18
R-TS0N-3636	511	1	36	36	0.72	25.92
R-TS0N-4242	653	1	42	42	0.98	35.28



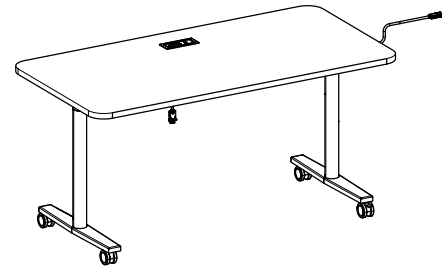
Tables Pricebook  
June 2026  
**Studi**

Studi tables

<u>with Power Module &amp; Daisy Chain</u>	84
<u>with Power Module</u>	86
<u>with Grommet</u>	88
<u>without Grommet</u>	90
<u>Add ons</u>	92
<u>PET Modesty</u>	92
<u>Frosted Acrylic Modesty</u>	93
<u>Ganging Mechanism</u>	94
<u>Daisy Chain</u>	95



Straight Corner



Radius Corner

**What's Included:**

Studi table with surface power module, daisy chain in feed sold separately

**How to Specify:**

Specify laminate for surface

Each laminate comes with matching vinyl trim color unless otherwise specified on your purchase order.

Refer to the laminate finish card for details.

Specify straight or radius corner.

Studi table base is silver only.

**Notes:**

Two of the four casters on the Studi table are lockable.

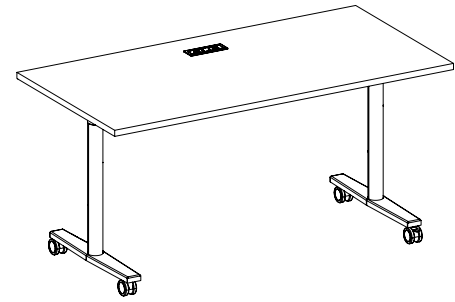
Surface power module comes in black only and includes 2 power, 1 USB A, and 1 USB C

Daisy chain in feed must be purchased separately. Check add ons section for details.

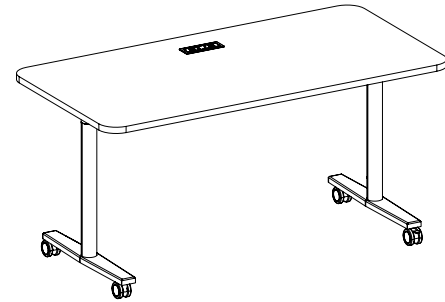
**Options:**

Width	48", 54", 60", 66", 72"
Depth	24", 30"
Laminate	laminate color
Corner	straight, radius

Code	Price	H	W	D	Weight (lb.)	Volume (ft <sup>3</sup> )
<b>Straight Corner</b>						
RT-TS0D-4824	2446	29.5	48	24		
RT-TS0D-4830	2449	29.5	48	30		
RT-TS0D-5424	2564	29.5	54	24		
RT-TS0D-5430	2566	29.5	54	30		
RT-TS0D-6024	2573	29.5	60	24		
RT-TS0D-6030	2578	29.5	60	30		
RT-TS0D-6624	2601	29.5	66	24		
RT-TS0D-6630	2603	29.5	66	30		
RT-TS0D-7224	2623	29.5	72	24		
RT-TS0D-7230	2625	29.5	72	30		
<b>Radius Corner</b>						
RT-TR0D-4824	2627	29.5	48	24		
RT-TR0D-4830	2629	29.5	48	30		
RT-TR0D-5424	2745	29.5	54	24		
RT-TR0D-5430	2748	29.5	54	30		
RT-TR0D-6024	2753	29.5	60	24		
RT-TR0D-6030	2759	29.5	60	30		
RT-TR0D-6624	2781	29.5	66	24		
RT-TR0D-6630	2784	29.5	66	30		
RT-TR0D-7224	2802	29.5	72	24		
RT-TR0D-7230	2805	29.5	72	30		



Straight Corner



Radius Corner

**What's Included:**

Studi table with surface power module,

**How to Specify:**

Specify laminate for surface

Each laminate comes with matching vinyl trim color unless otherwise specified on your purchase order.

Refer to the laminate finish card for details.

Specify straight or radius corner.

Studi table base is silver only.

**Notes:**

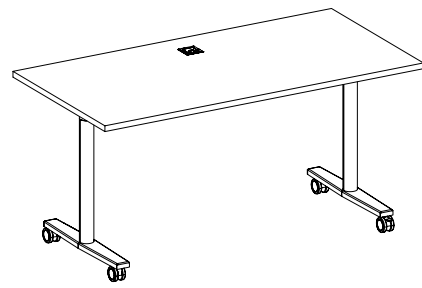
Two of the four casters on the Studi table are lockable.

Surface power module comes in black only and includes 2 power, 1 USB A, and 1 USB C

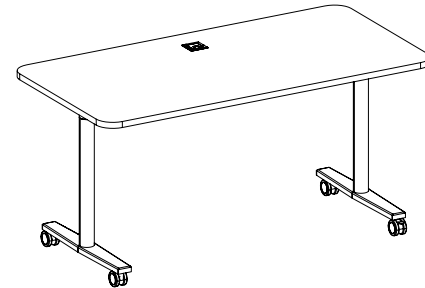
**Options:**

Width	48", 54", 60", 66", 72"
Depth	24", 30"
Laminate	laminate color
Corner	straight, radius

Code	Price	H	W	D	Weight (lb.)	Volume (ft <sup>3</sup> )
Straight Corner						
RT-TS0E-4824	2167	29.5	48	24		
RT-TS0E-4830	2169	29.5	48	30		
RT-TS0E-5424	2292	29.5	54	24		
RT-TS0E-5430	2294	29.5	54	30		
RT-TS0E-6024	2294	29.5	60	24		
RT-TS0E-6030	2300	29.5	60	30		
RT-TS0E-6624	2318	29.5	66	24		
RT-TS0E-6630	2322	29.5	66	30		
RT-TS0E-7224	2335	29.5	72	24		
RT-TS0E-7230	2337	29.5	72	30		
Radius Corner						
RT-TR0E-4824	2369	29.5	48	24		
RT-TR0E-4830	2372	29.5	48	30		
RT-TR0E-5424	2494	29.5	54	24		
RT-TR0E-5430	2497	29.5	54	30		
RT-TR0E-6024	2497	29.5	60	24		
RT-TR0E-6030	2503	29.5	60	30		
RT-TR0E-6624	2521	29.5	66	24		
RT-TR0E-6630	2523	29.5	66	30		
RT-TR0E-7224	2536	29.5	72	24		
RT-TR0E-7230	2540	29.5	72	30		



Straight Corner



Radius Corner

**What's Included:**

Studi table with surface power module,

**How to Specify:**

Specify laminate for surface

Each laminate comes with matching vinyl trim color unless otherwise specified on your purchase order.

Refer to the laminate finish card for details.

Specify straight or radius corner.

Studi table base is silver only.

**Notes:**

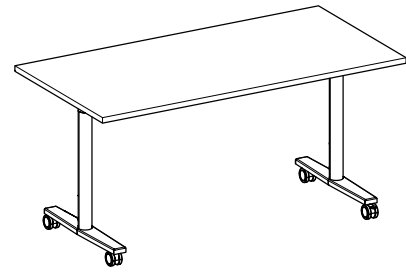
Two of the four casters on the Studi table are lockable.

When the grommet is specified, it will be centrally located along the back edge of the worksurface.

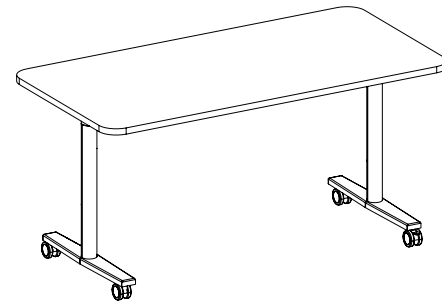
**Options:**

Width	48", 54", 60", 66", 72"
Depth	24", 30"
Laminate	laminate color
Corner	straight, radius
Grommet	grommet color

Code	Price	H	W	D	Weight (lb.)	Volume (ft <sup>3</sup> )
<b>Straight Corner</b>						
RT-TS0G-4824	1636	29.5	48	24		
RT-TS0G-4830	1639	29.5	48	30		
RT-TS0G-5424	1761	29.5	54	24		
RT-TS0G-5430	1765	29.5	54	30		
RT-TS0G-6024	1765	29.5	60	24		
RT-TS0G-6030	1770	29.5	60	30		
RT-TS0G-6624	1789	29.5	66	24		
RT-TS0G-6630	1791	29.5	66	30		
RT-TS0G-7224	1804	29.5	72	24		
RT-TS0G-7230	1807	29.5	72	30		
<b>Radius Corner</b>						
RT-TR0G-4824	1839	29.5	48	24		
RT-TR0G-4830	1841	29.5	48	30		
RT-TR0G-5424	1964	29.5	54	24		
RT-TR0G-5430	1966	29.5	54	30		
RT-TR0G-6024	1966	29.5	60	24		
RT-TR0G-6030	1972	29.5	60	30		
RT-TR0G-6624	1990	29.5	66	24		
RT-TR0G-6630	1994	29.5	66	30		
RT-TR0G-7224	2007	29.5	72	24		
RT-TR0G-7230	2009	29.5	72	30		



Straight Corner



Radius Corner

**What's Included:**

Studi table without grommet

**How to Specify:**

Specify laminate for surface

Each laminate comes with matching vinyl trim color unless otherwise specified on your purchase order.

Refer to the laminate finish card for details.

Specify straight or radius corner.

Studi table base is silver only.

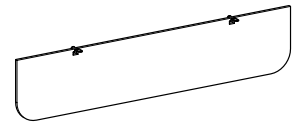
**Notes:**

Two of the four casters on the Studi table are lockable.

**Options:**

Width	48", 54", 60", 66", 72"
Depth	24", 30"
Laminate	laminate color
Corner	straight, radius

Code	Price	H	W	D	Weight (lb.)	Volume (ft <sup>3</sup> )
<b>Straight Corner</b>						
RT-TS0N-4824	1579	29.5	24	48		
RT-TS0N-4830	1584	29.5	30	48		
RT-TS0N-5424	1705	29.5	24	54		
RT-TS0N-5430	1709	29.5	30	54		
RT-TS0N-6024	1709	29.5	24	60		
RT-TS0N-6030	1715	29.5	30	60		
RT-TS0N-6624	1732	29.5	24	66		
RT-TS0N-6630	1735	29.5	30	66		
RT-TS0N-7224	1748	29.5	24	72		
RT-TS0N-7230	1752	29.5	30	72		
<b>Radius Corner</b>						
RT-TR0N-4824	1782	29.5	24	48		
RT-TR0N-4830	1785	29.5	30	48		
RT-TR0N-5424	1908	29.5	24	54		
RT-TR0N-5430	1910	29.5	30	54		
RT-TR0N-6024	1910	29.5	24	60		
RT-TR0N-6030	1916	29.5	30	60		
RT-TR0N-6624	1934	29.5	24	66		
RT-TR0N-6630	1937	29.5	30	66		
RT-TR0N-7224	1951	29.5	24	72		
RT-TR0N-7230	1953	29.5	30	72		



PET Modesty

**What's Included:**

*PET modesty for Studi table*

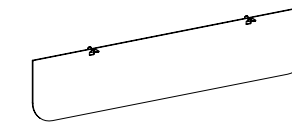
**Notes:**

*PET modesty comes in Nori T114 finish only*

**Options:**

Width 48", 54", 60", 66", 72"

Code	Price	H	W	Weight (lb.)	Volume (ft <sup>3</sup> )
RT-MMOD-48-P	446	12	48		
RT-MMOD-54-P	468	12	54		
RT-MMOD-60-P	763	12	60		
RT-MMOD-66-P	763	12	66		
RT-MMOD-72-P	763	12	72		



Frosted Acrylic Modesty

**What's Included:**

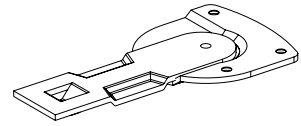
*Frosted acrylic modesty for Studi table*

**Notes:**

**Options:**

Width 48", 54", 60", 66", 72"

Code	Price	H	W	Weight (lb.)	Volume (ft <sup>3</sup> )
RT-MMOD-48-F	935	12	48		
RT-MMOD-54-F	956	12	54		
RT-MMOD-60-F	978	12	60		
RT-MMOD-66-F	1019	12	66		
RT-MMOD-72-F	1062	12	72		



Ganging Mechanism

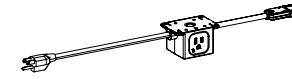
**What's Included:**

Black ganging mechanism for Studi table

**Notes:**

The ganging mechanism fits into the pre-drilled holes on the underside of the one-touch table.  
Ganging mechanisms are available in pairs.

Code	Price	W	Weight (lb.)	Volume (ft <sup>3</sup> )
RT-AGM0	49	2		



Daisy Chain

**What's Included:**

Daisy chain in feed

**Notes:**

Must be purchased for Studi tables with daisy chain cable in feed.  
Cable is 72" long

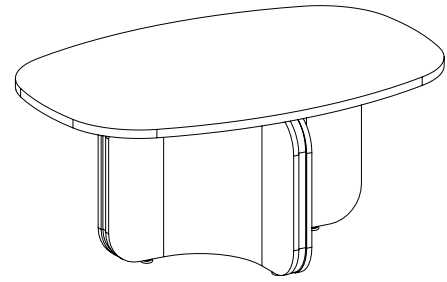
Code	Price	Weight (lb.)	Volume (ft <sup>3</sup> )
RT-DCS-072	336		



Tables Pricebook  
June 2026  
**Echo**

Echo tables

<u>Super Ellipse</u>	98
<u>no power module</u>	98
<u>w power module</u>	99
<u>Round</u>	100
<u>no power module</u>	100
<u>w power module</u>	101
<u>Squircle</u>	102
<u>no power module</u>	102
<u>w power module</u>	103



Super Ellipse table w/cross PET base, no power

**What's Included:**

Table base, table top

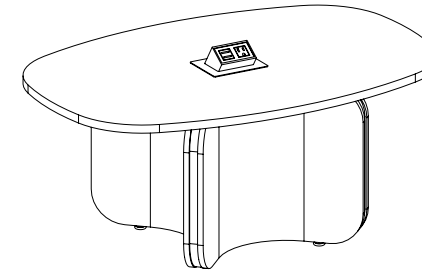
**How to Specify:**

Color of P.E.T., and laminate top

**Notes:**

Top Thickness 1"

Code	Price	H	W	D
R-PE0N-362416	1755	16	36	24



Super Ellipse table w/cross PET base, w power module

**What's Included:**

Table base, table top and optional power module

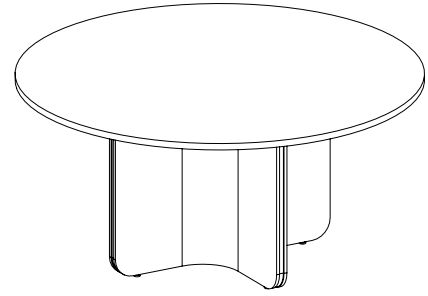
**How to Specify:**

Color of P.E.T., laminate top and power module can be specified in order cover sheet.

**Notes:**

Top Thickness 1"

Code	Price	H	W	D
R-PE0P-362416	2954	16	36	24



Round table w/cross PET base, no power

**What's Included:**

Table base, table top

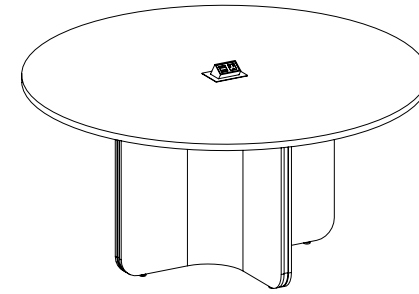
**How to Specify:**

Color of P.E.T., and laminate top

**Notes:**

Top Thickness 1"

Code	Price	H	W	D
R-PC0N-360016	2021	16	36	36
R-PC0N-420016	2154	16	42	42
R-PC0N-300029	2080	29	30	30
R-PC0N-360029	2188	29	36	36
R-PC0N-420029	2349	29	42	42
R-PC0N-480029	2479	29	48	48
R-PC0N-540029	2750	29	54	54
R-PC0N-600029	3055	29	60	60



Round table w/cross PET base

**What's Included:**

Table base, table top and optional power module

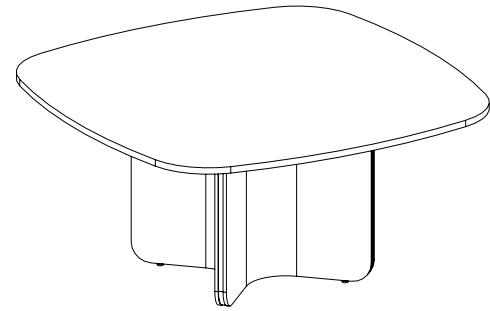
**How to Specify:**

Color of P.E.T., and laminate top

**Notes:**

Top Thickness 1"

Code	Price	H	W	D
R-PC0P-360016	3220	16	36	36
R-PC0P-420016	3353	16	42	42
R-PC0P-300029	3279	29	30	30
R-PC0P-360029	3387	29	36	36
R-PC0P-420029	3548	29	42	42
R-PC0P-480029	3678	29	48	48
R-PC0P-540029	3949	29	54	54
R-PC0P-600029	4254	29	60	60



Squircle table w/cross PET base, no power

**What's Included:**

Table base, table top

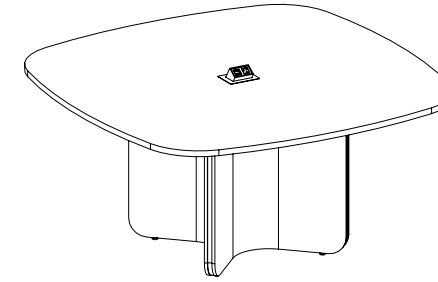
**How to Specify:**

Color of P.E.T., and laminate top

**Notes:**

Top Thickness 1"

Code	Price	H	W	D
R-PQ0N-363616	2021	16	36	36
R-PQ0N-424216	2154	16	42	42
R-PQ0N-303029	2080	29	30	30
R-PQ0N-363629	2188	29	36	36
R-PQ0N-424229	2349	29	42	42
R-PQ0N-484829	2493	29	48	48
R-PQ0N-545429	2759	29	54	54
R-PQ0N-606029	3003	29	60	60



Squircle table w/cross PET base

**What's Included:**

Table base, table top and optional power module

**How to Specify:**

Color of P.E.T., and laminate top

**Notes:**

Top Thickness 1"

Code	Price	H	W	D
R-PQ0P-363616	3220	16	36	36
R-PQ0P-424216	3353	16	42	42
R-PQ0P-303029	3279	29	30	30
R-PQ0P-363629	3387	29	36	36
R-PQ0P-424229	3548	29	42	42
R-PQ0P-484829	3692	29	48	48
R-PQ0P-545429	3958	29	54	54
R-PQ0P-606029	4202	29	60	60