



Receptions Pricebook

State Of Connecticut

Contract Number: 25PSX0057

January 2025

Caution	3
Application Guidelines	4
Aloha Waterfall Reception	10
Straight	10
Waterfall Length Matrix	11
Laminate Base	11
Metal Kickplate Base	12
L-Shape	13
Waterfall Length Matrix	14
Laminate Base	14
Metal Kickplate Base	15
Maeva Border Reception	16
Straight	16
L-Shape	18
Karibu Angled Reception	20
Straight	20
With ADA extension	21
Without ADA extension	21
L-Shape	22
With ADA extension	23
Without ADA extension	23
Storage	24
Mobile Pedestal	24
Underdesk Pedestal	25
Underdesk Lateral	26
Accessories	27
Keyboard Tray	27
Task Light	28
Monitor Arm	29
Horizontal Wire Manager	30
Vertical Wire Manager	31
Wall Mounted Tackboard	32
Storage Cube	36
Power/USB	37
Grommet Covers	38
Lock and Key	39

Load Bottom Drawer First

- Operate one drawer at a time
- Units may tip if loaded incorrectly
- Units should be attached to a wall or other furniture to reduce tipping hazard
- Always load the heaviest files in the bottom drawer

Heavy Load

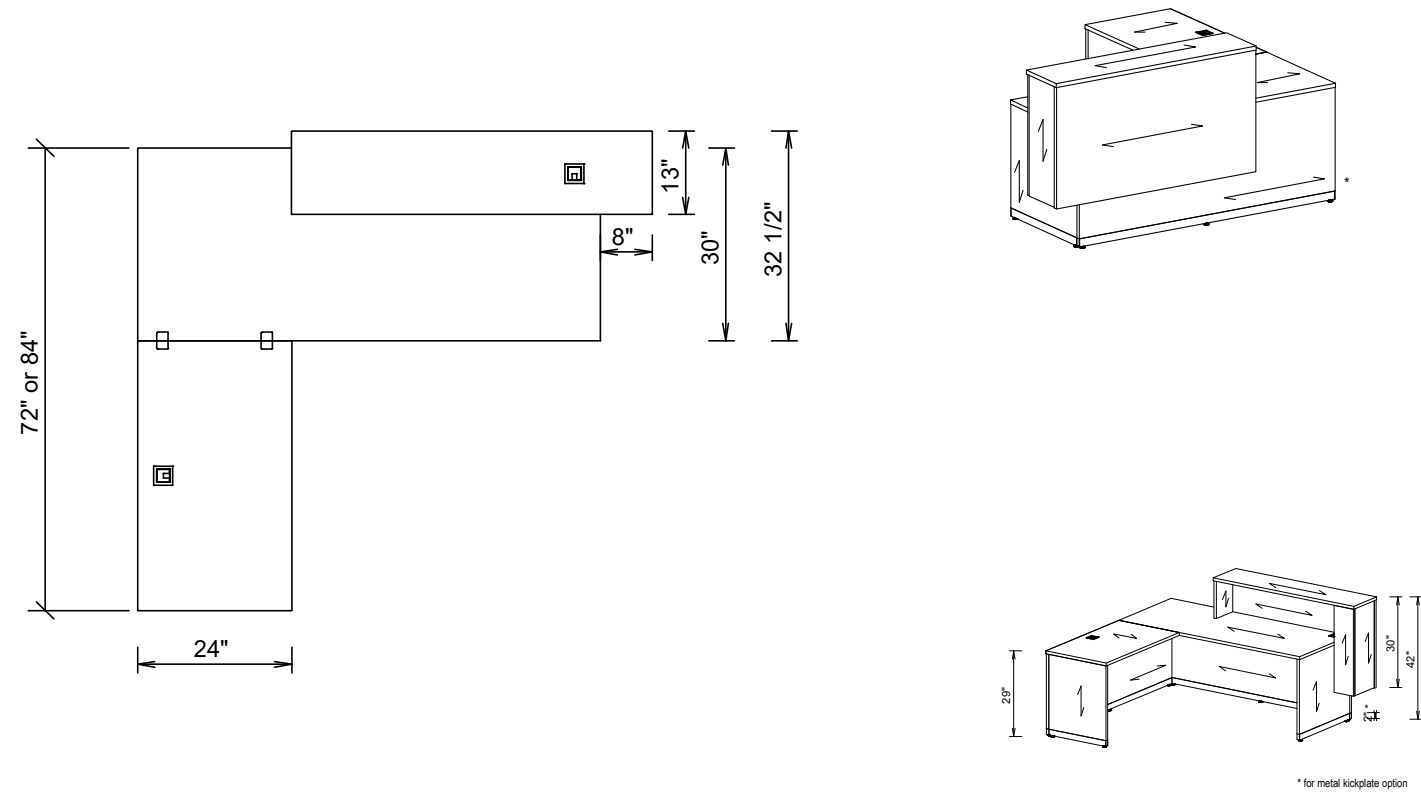
- Some products must be anchored to wall to ensure stability & safety.
- It is the owner and installers responsibility to ensure that the wall type and construction is of sufficient strength to carry the loads of any wall mounted products and their contents.
- Failure of the wall and anchors to support all imposed loads may result in property damage and/or personal injury.
- Tayco can provide size and empty weight of its products only. As wall blocking is considered a building construction process, Tayco cannot provide recommendations in this respect and cannot be responsible for damage or injury that may occur as a result of improper installation and/or blocking.

Instability Hazard

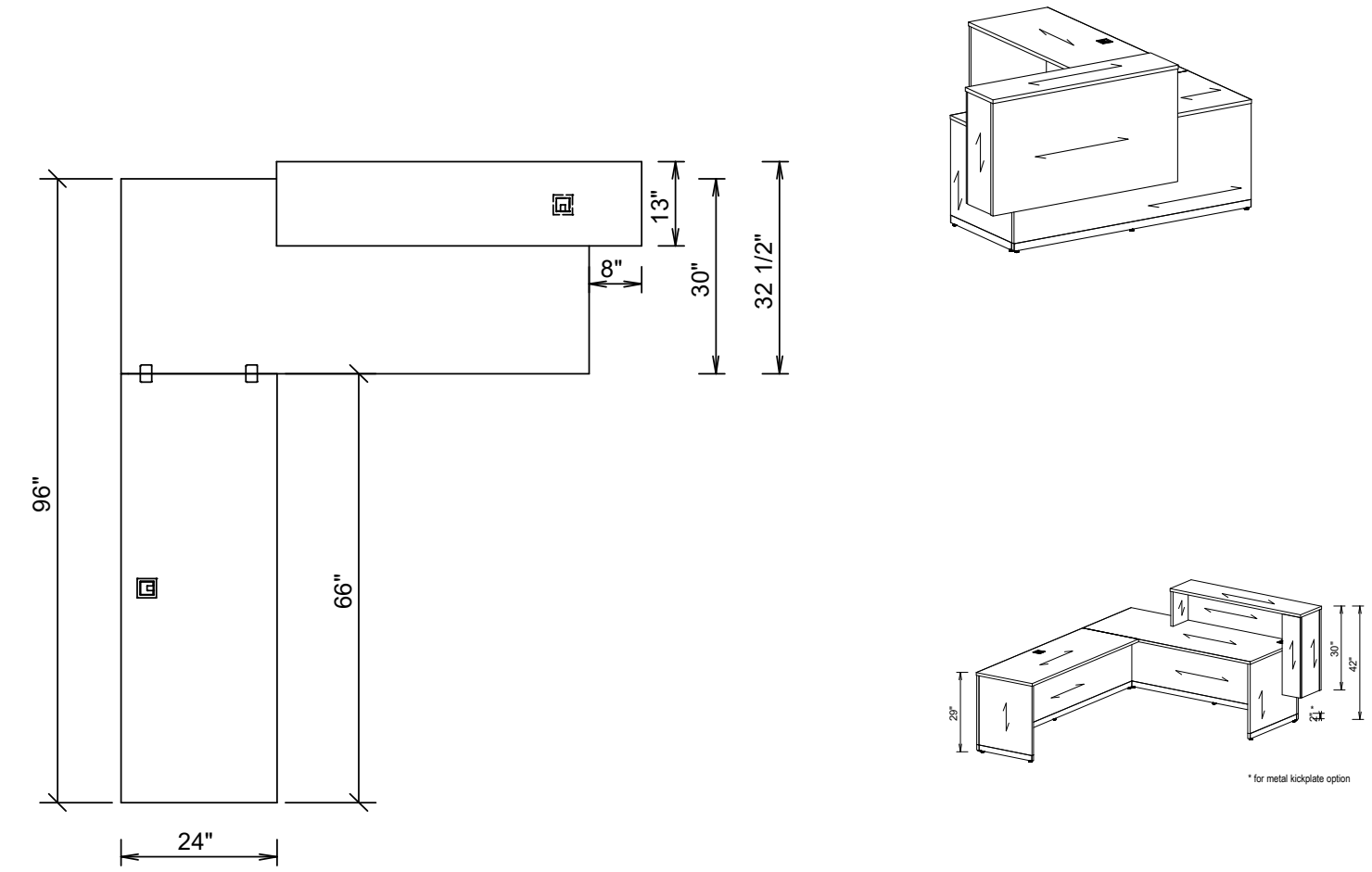
Mobile items on casters such as flip top, personal and movable tables of any type and storage items of any type may present an instability hazard if not secured correctly while in use or in storage. Flip top tables or training tables of any type, are inherently more unstable when folded. Tayco provides the following guidelines & warnings when using mobile products:

- Lock casters immediately after moving. Do not leave the casters unlocked when in use or in storage.
- Motion may increase the instability of any item with casters. If the wheels hit an obstruction the table's forward momentum often causes overturn, especially if the item is not equipped with wheel extensions. Exercise strong caution while moving these items.
- Use caution when abrupt level changes in the floor are present (such as a doorway or room threshold) as caster failure or tipping may result.
- Do not stand, sit or lean on mobile items for support. They are not intended for this use and personal injury or property damage may result.
- Mobile units that feature height adjustable elements must be lowered to the minimum compressed height when moving to prevent instability. It is also recommended the user remove all computer equipment or other accessories to prevent possible weight imbalance or damage to equipment.
- Failure to follow the guidelines above may result in property damage or personal injury.

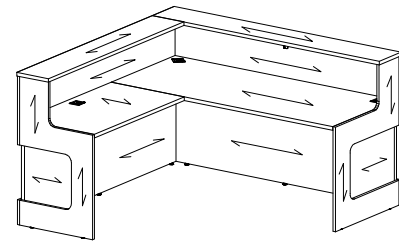
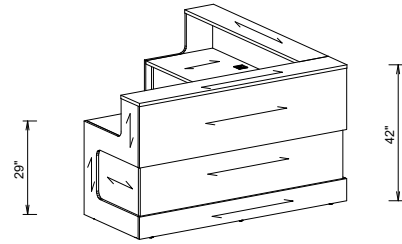
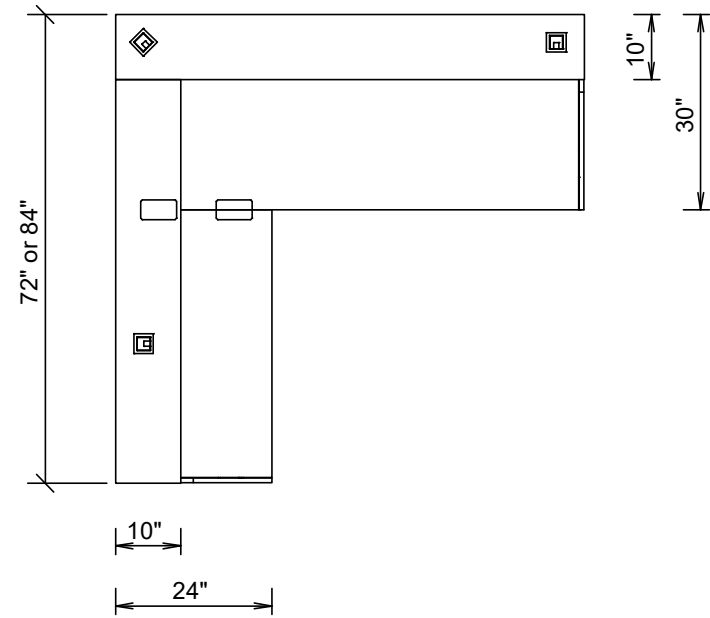
Aloha (72" & 84" Return) - Dimensions and Grain Direction



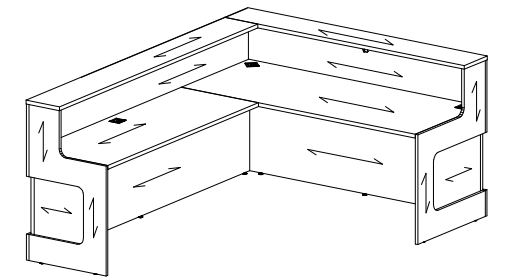
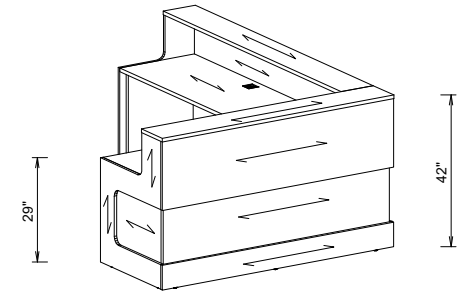
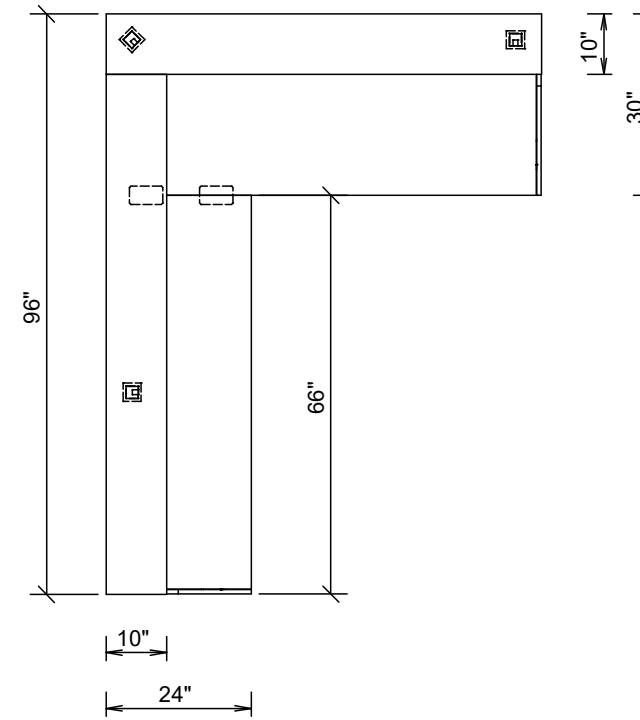
Aloha (96" Return) - Dimensions and Grain Direction



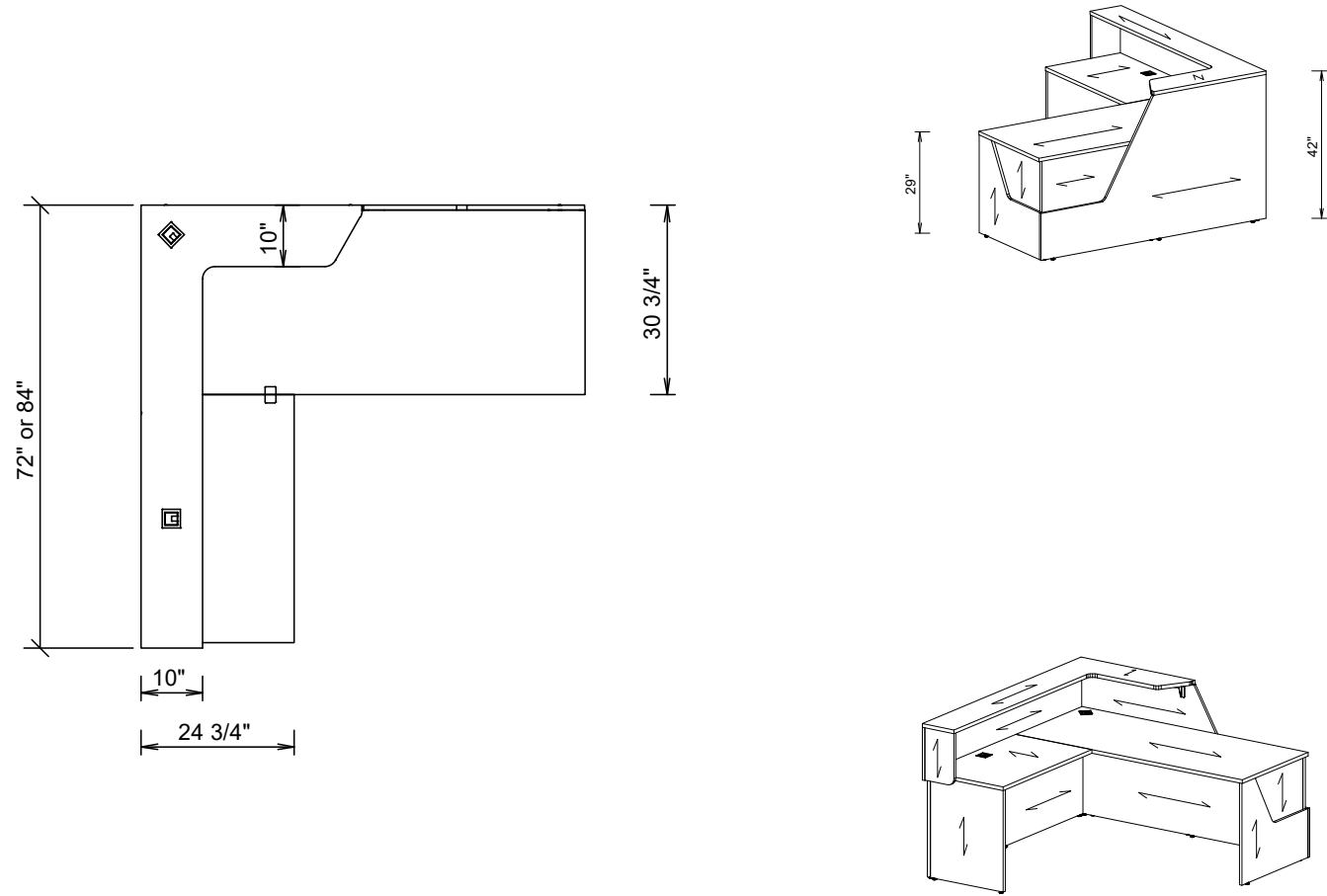
Maeva (72" & 84" Return) - Dimensions and Grain Direction



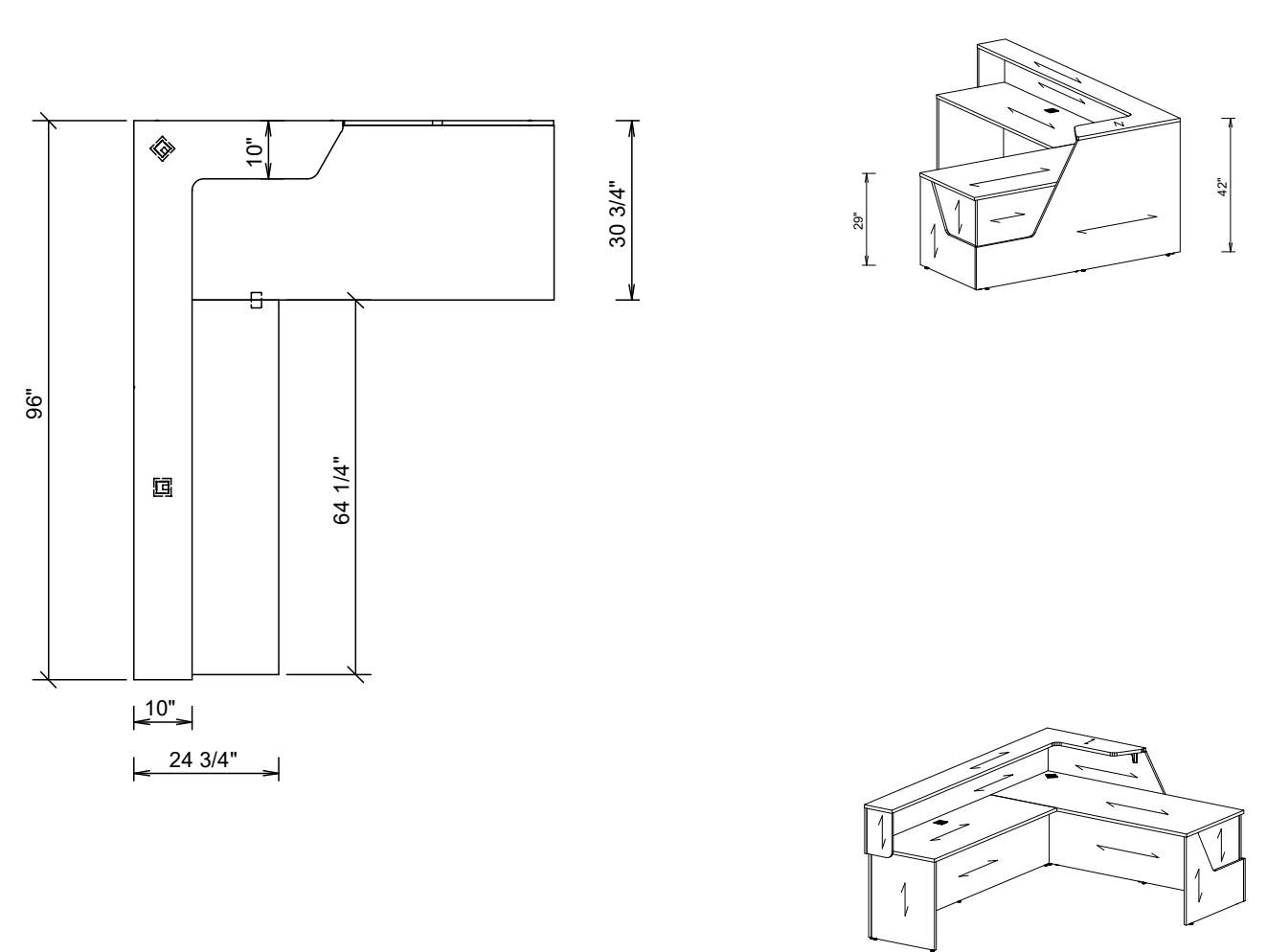
Maeva (96" Return) - Dimensions and Grain Direction

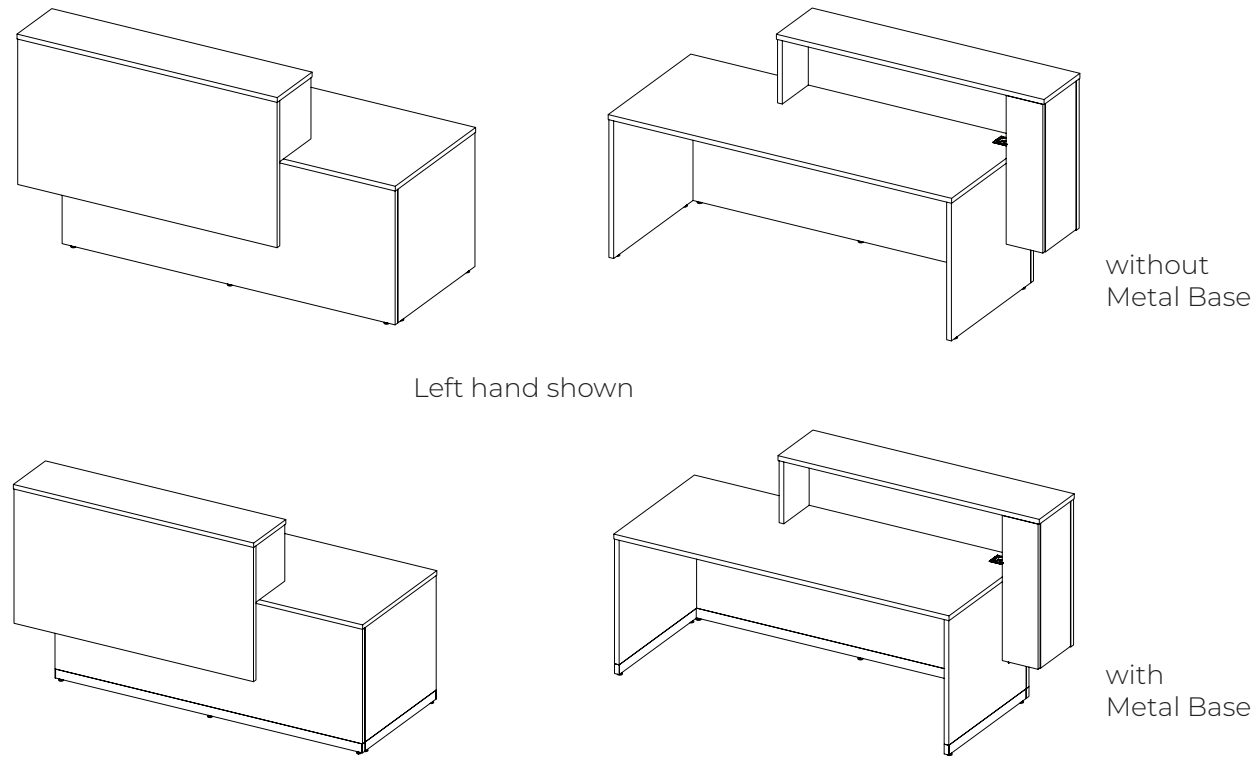


Karibu (72" & 84" Return) - Dimensions and Grain Direction



Karibu (96" Return) - Dimensions and Grain Direction





Left hand shown

without Metal Base

with Metal Base

What's Included:

One (1) complete straight waterfall reception desk with hardware and corresponding grommets

How to Specify:

Refer to laminate swatches for laminate selections

Refer to metal swatches for metal selections

Long or short transaction top can be chosen based on style preference

Notes:

Includes one (1) grommet

Up to two laminate colors can be chosen - one for the angled portion and transaction top and the other for the desk core and worksurface

Reception desk is sold as one unit including hardware, storage must be specified separately

Reception is shipped knocked down

Options:

Width: 72", 78", 84", 90", 96"

Depth: 30"D

With or without metal kick plate

Laminate color for waterfall transaction top

Laminate color for desk core body and worksurface

Metal color for kick plate if chosen

Waterfall Length Matrix

Station Size	Short Waterfall Length	Long Waterfall Length
72 x 30	44"	56"
78 x 30	50"	62"
84 x 30	56"	68"
90 x 30	62"	74"
96 x 30	68"	80"

Laminate Base

Short Transaction Top

Code	Price	H	W	D
Left Hand				
R3-S0LW-S-7230-L	\$4626	43	72	30
R3-S0LW-S-7830-L	\$4701	43	78	30
R3-S0LW-S-8430-L	\$4848	43	84	30
R3-S0LW-S-9030-L	\$5070	43	90	30
R3-S0LW-S-9630-L	\$5217	43	96	30
Right Hand				
R3-S0LW-S-7230-R	\$4626	43	72	30
R3-S0LW-S-7830-R	\$4701	43	78	30
R3-S0LW-S-8430-R	\$4848	43	84	30
R3-S0LW-S-9030-R	\$5070	43	90	30
R3-S0LW-S-9630-R	\$5217	43	96	30

Long Transaction Top

Code	Price	H	W	D
Left Hand				
R3-S0LW-L-7230-L	\$4758	43	72	30
R3-S0LW-L-7830-L	\$4833	43	78	30
R3-S0LW-L-8430-L	\$4981	43	84	30
R3-S0LW-L-9030-L	\$5204	43	90	30
R3-S0LW-L-9630-L	\$5350	43	96	30
Right Hand				
R3-S0LW-L-7230-R	\$4758	43	72	30
R3-S0LW-L-7830-R	\$4833	43	78	30
R3-S0LW-L-8430-R	\$4981	43	84	30
R3-S0LW-L-9030-R	\$5204	43	90	30
R3-S0LW-L-9630-R	\$5350	43	96	30

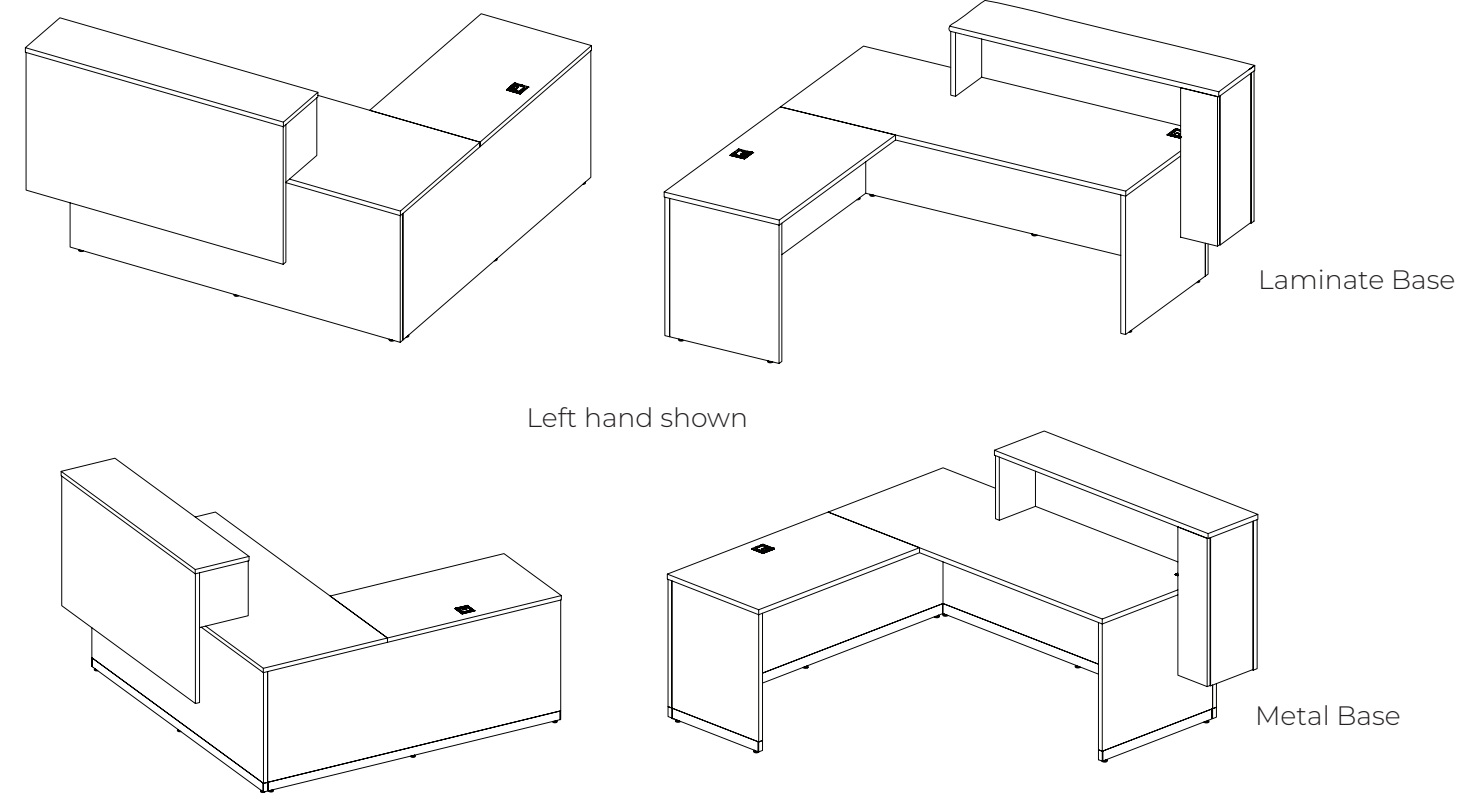
Metal Kickplate Base

Short Transaction Top

Code	Price	H	W	D
Left Hand				
R3-S0MW-S-7230-L	\$5223	43	72	30
R3-S0MW-S-7830-L	\$5297	43	78	30
R3-S0MW-S-8430-L	\$5446	43	84	30
R3-S0MW-S-9030-L	\$5668	43	90	30
R3-S0MW-S-9630-L	\$5815	43	96	30
Right Hand				
R3-S0MW-S-7230-R	\$5223	43	72	30
R3-S0MW-S-7830-R	\$5297	43	78	30
R3-S0MW-S-8430-R	\$5446	43	84	30
R3-S0MW-S-9030-R	\$5668	43	90	30
R3-S0MW-S-9630-R	\$5815	43	96	30

Long Transaction Top

Code	Price	H	W	D
Left Hand				
R3-S0MW-L-7230-L	\$5356	43	72	30
R3-S0MW-L-7830-L	\$5431	43	78	30
R3-S0MW-L-8430-L	\$5578	43	84	30
R3-S0MW-L-9030-L	\$5800	43	90	30
R3-S0MW-L-9630-L	\$5948	43	96	30
Right Hand				
R3-S0MW-L-7230-R	\$5356	43	72	30
R3-S0MW-L-7830-R	\$5431	43	78	30
R3-S0MW-L-8430-R	\$5578	43	84	30
R3-S0MW-L-9030-R	\$5800	43	90	30
R3-S0MW-L-9630-R	\$5948	43	96	30



What's Included:

One (1) complete L-shape waterfall reception desk with hardware and corresponding grommets

How to Specify:

Refer to laminate swatches for laminate selections

Refer to metal swatches for metal selections

Long or short transaction top can be chosen based on style preference

Options:

Width: 72", 84", 96"

Length: 72", 84", 96"

Front worksurface depth: 30"

Return worksurface depth: 24"

Transaction Top: 13" D

With or without metal kick plate

Laminate color for waterfall transaction top

Laminate color for desk core body and worksurface

Metal color for kick plate if chosen

Notes:

Includes (2) grommets

Up to two laminate colors can be chosen - one for the waterfall transaction portion and the other for the desk core and worksurface

Reception desk is sold as one unit including hardware, storage must be specified separately

Reception is shipped knocked down

Waterfall reception has a 8" overhang and is not accounted for in the width options

Waterfall Length Matrix

Station Size	Short Waterfall Length	Long Waterfall Length
72 x 72	44"	56"
72 x 84	44"	56"
72 x 96	44"	56"
84 x 72	56"	68"
84 x 84	56"	68"

Station Size	Short Waterfall Length	Long Waterfall Length
84 x 96	56"	68"
96 x 72	68"	80"
96 x 84	68"	80"
96 x 96	68"	80"

Laminate Base

Short Transaction Top

Code	Price	H	W	D
Left Hand				
R3-L0LW-S-7272-A-L	\$7441	43	72	72
R3-L0LW-S-7284-A-L	\$7663	43	72	84
R3-L0LW-S-7296-A-L	\$8178	43	72	96
R3-L0LW-S-8472-A-L	\$7752	43	84	72
R3-L0LW-S-8484-A-L	\$8143	43	84	84
R3-L0LW-S-8496-A-L	\$8549	43	84	96
R3-L0LW-S-9672-A-L	\$8223	43	96	72
R3-L0LW-S-9684-A-L	\$8633	43	96	84
R3-L0LW-S-9696-A-L	\$9064	43	96	96
Right Hand				
R3-L0LW-S-7272-A-R	\$7441	43	72	72
R3-L0LW-S-7284-A-R	\$7663	43	72	84
R3-L0LW-S-7296-A-R	\$8178	43	72	96
R3-L0LW-S-8472-A-R	\$7752	43	84	72
R3-L0LW-S-8484-A-R	\$8143	43	84	84
R3-L0LW-S-8496-A-R	\$8549	43	84	96
R3-L0LW-S-9672-A-R	\$8223	43	96	72
R3-L0LW-S-9684-A-R	\$8633	43	96	84
R3-L0LW-S-9696-A-R	\$9064	43	96	96

Long Transaction Top

Code	Price	H	W	D
Left Hand				
R3-L0LW-L-7272-A-L	\$7573	43	72	72
R3-L0LW-L-7284-A-L	\$7795	43	72	84
R3-L0LW-L-7296-A-L	\$8311	43	72	96
R3-L0LW-L-8472-A-L	\$7886	43	84	72
R3-L0LW-L-8484-A-L	\$8275	43	84	84
R3-L0LW-L-8496-A-L	\$8681	43	84	96
R3-L0LW-L-9672-A-L	\$8355	43	96	72
R3-L0LW-L-9684-A-L	\$8766	43	96	84
R3-L0LW-L-9696-A-L	\$9197	43	96	96
Right Hand				
R3-L0LW-L-7272-A-R	\$7573	43	72	72
R3-L0LW-L-7284-A-R	\$7795	43	72	84
R3-L0LW-L-7296-A-R	\$8311	43	72	96
R3-L0LW-L-8472-A-R	\$7886	43	84	72
R3-L0LW-L-8484-A-R	\$8275	43	84	84
R3-L0LW-L-8496-A-R	\$8681	43	84	96
R3-L0LW-L-9672-A-R	\$8355	43	96	72
R3-L0LW-L-9684-A-R	\$8766	43	96	84
R3-L0LW-L-9696-A-R	\$9197	43	96	96

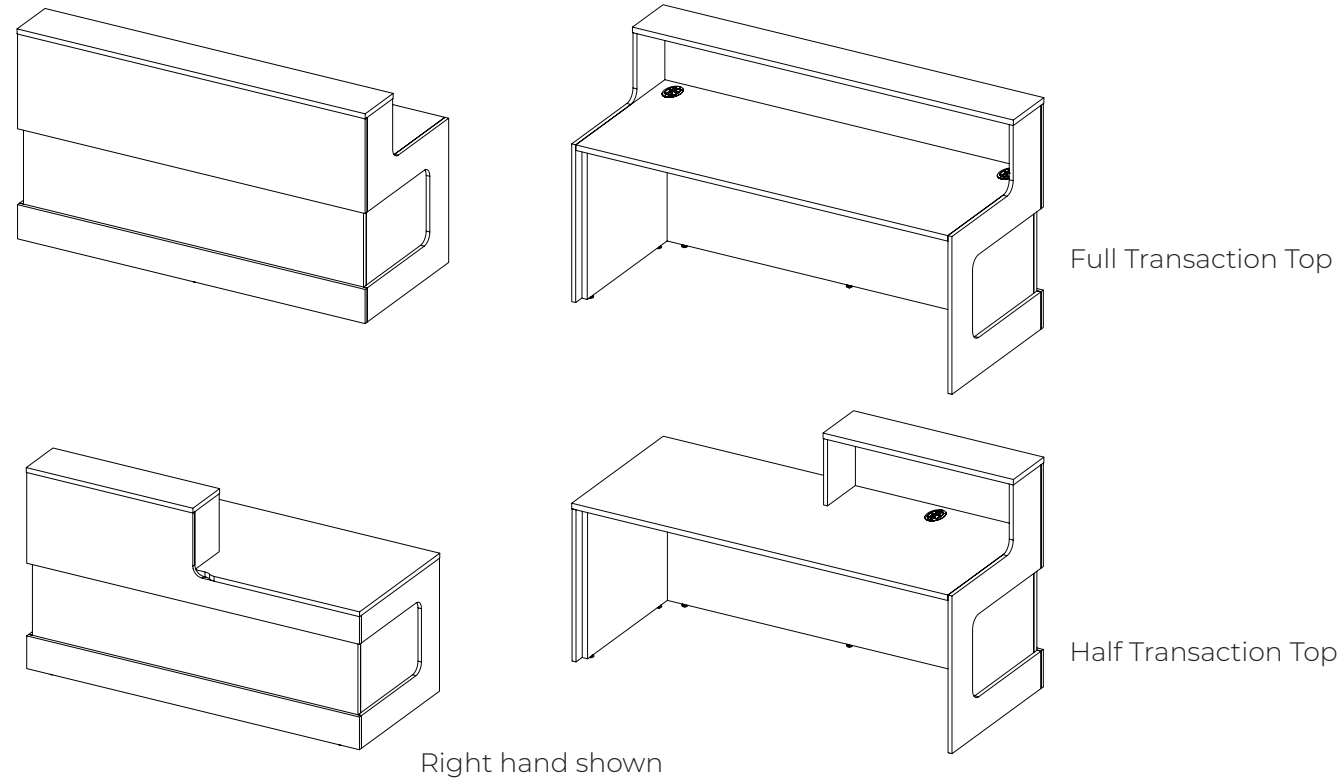
Metal Kickplate Base

Short Transaction Top

Code	Price	H	W	D
Left Hand				
R3-L0MW-S-7272-A-L	\$8305	43	72	72
R3-L0MW-S-7284-A-L	\$8526	43	72	84
R3-L0MW-S-7296-A-L	\$9042	43	72	96
R3-L0MW-S-8472-A-L	\$8615	43	84	72
R3-L0MW-S-8484-A-L	\$9007	43	84	84
R3-L0MW-S-8496-A-L	\$9412	43	84	96
R3-L0MW-S-9672-A-L	\$9086	43	96	72
R3-L0MW-S-9684-A-L	\$9496	43	96	84
R3-L0MW-S-9696-A-L	\$9928	43	96	96
Right Hand				
R3-L0MW-S-7272-A-R	\$8305	43	72	72
R3-L0MW-S-7284-A-R	\$8526	43	72	84
R3-L0MW-S-7296-A-R	\$9042	43	72	96
R3-L0MW-S-8472-A-R	\$8615	43	84	72
R3-L0MW-S-8484-A-R	\$9007	43	84	84
R3-L0MW-S-8496-A-R	\$9412	43	84	96
R3-L0MW-S-9672-A-R	\$9086	43	96	72
R3-L0MW-S-9684-A-R	\$9496	43	96	84
R3-L0MW-S-9696-A-R	\$9928	43	96	96

Long Transaction Top

Code	Price	H	W	D
Left Hand				
R3-L0MW-L-7272-A-L	\$8437	43	72	72
R3-L0MW-L-7284-A-L	\$8658	43	72	84
R3-L0MW-L-7296-A-L	\$9175	43	72	96
R3-L0MW-L-8472-A-L	\$8749	43	84	72
R3-L0MW-L-8484-A-L	\$9139	43	84	84
R3-L0MW-L-8496-A-L	\$9544	43	84	96
R3-L0MW-L-9672-A-L	\$9218	43	96	72
R3-L0MW-L-9684-A-L	\$9629	43	96	84
R3-L0MW-L-9696-A-L	\$10061	43	96	96
Right Hand				
R3-L0MW-L-7272-A-R	\$8437	43	72	72
R3-L0MW-L-7284-A-R	\$8658	43	72	84
R3-L0MW-L-7296-A-R	\$9175	43	72	96
R3-L0MW-L-8472-A-R	\$8749	43	84	72
R3-L0MW-L-8484-A-R	\$9139	43	84	84
R3-L0MW-L-8496-A-R	\$9544	43	84	96
R3-L0MW-L-9672-A-R	\$9218	43	96	72
R3-L0MW-L-9684-A-R	\$9629	43	96	84
R3-L0MW-L-9696-A-R	\$10061	43	96	96



What's Included:

One (1) complete straight border reception desk with hardware and corresponding grommets

How to Specify:

Refer to laminate swatches for laminate selections

Notes:

Available with full or half Transaction top

Full transaction tops come with three (3) grommets. Half transaction tops come with two (2) grommets

Up to two laminate colors can be chosen - one for the outer border portion, transaction top and worksurface the other for the desk core inner border portion

Reception desk is sold as one unit including hardware, storage must be specified separately

Reception is shipped knocked down

Front half transaction is 36"W for 72"W reception, 48"W for 84"W reception, and 60"W for 96"W reception

Options:

Width: 72", 78", 84", 90", 96"

Depth: 30"

With full transaction or half transaction top

Laminate color for border shell and transaction top

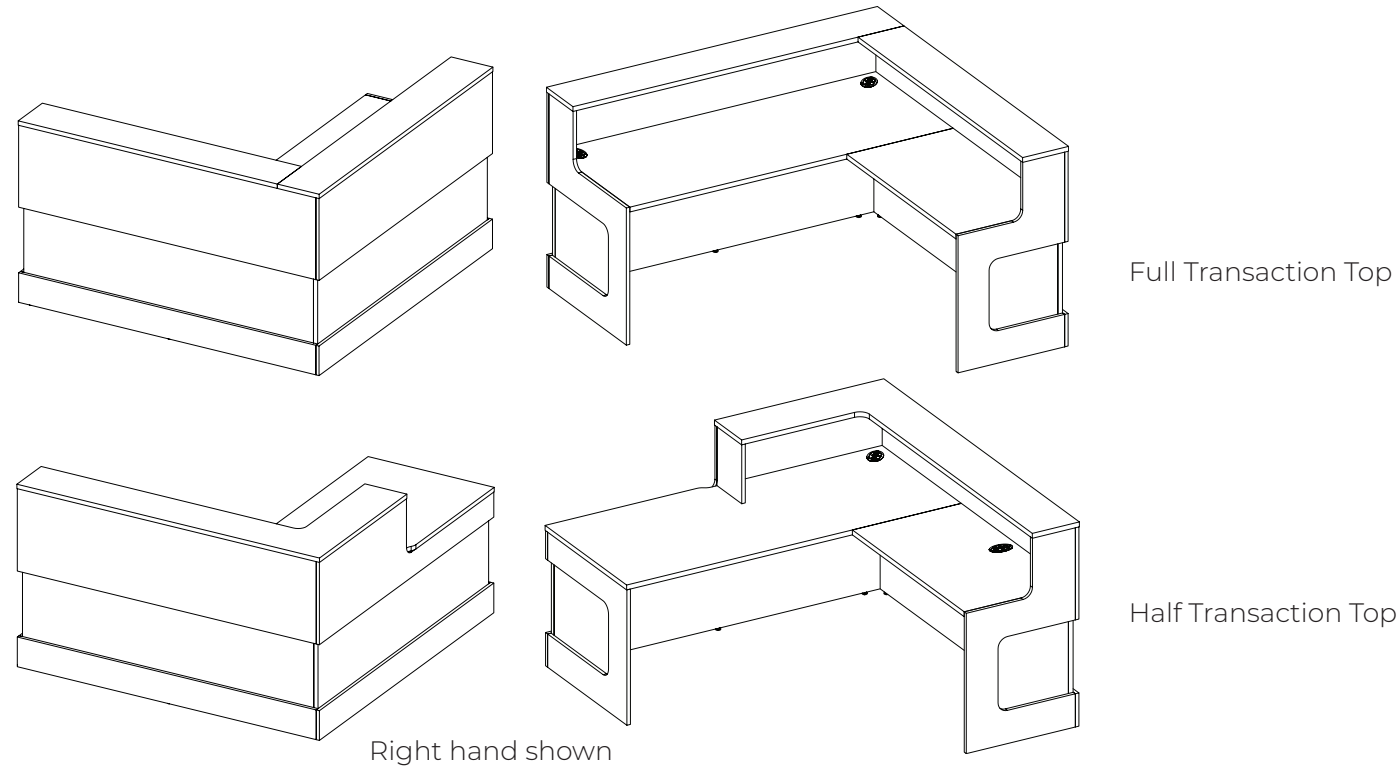
Laminate color for desk core inner body and worksurface

Full Transaction Top

Code	Price	H	W	D
R2-S0TF-7230	\$4559	42	72	30
R2-S0TF-7830	\$4634	42	78	30
R2-S0TF-8430	\$4782	42	84	30
R2-S0TF-9030	\$5004	42	90	30
R2-S0TF-9630	\$5150	42	96	30

Half Transaction Top

Code	Price	H	W	D
Left Hand				
R2-S0TH-7230-L	\$4426	42	72	30
R2-S0TH-7830-L	\$4502	42	78	30
R2-S0TH-8430-L	\$4649	42	84	30
R2-S0TH-9030-L	\$4870	42	90	30
R2-S0TH-9630-L	\$5017	42	96	30
Right Hand				
R2-S0TH-7230-R	\$4426	42	72	30
R2-S0TH-7830-R	\$4502	42	78	30
R2-S0TH-8430-R	\$4649	42	84	30
R2-S0TH-9030-R	\$4870	42	90	30
R2-S0TH-9630-R	\$5017	42	96	30



What's Included:

One (1) complete L-shape borderreception desk with hardware and corresponding grommets

How to Specify:

Refer to laminate swatches for laminate selections

Notes:

- Available with full or Half Transaction top
- Half Transaction top allows for parallel wheelchair access
- Full transaction tops come with three (3) grommets. Half transaction tops come with two (2) grommets
- Up to two laminate colors can be chosen - one for the outer border portion, transaction top and worksurface the other for the desk core inner border portion
- Reception desk is sold as one unit including hardware, storage must be specified separately
- Reception is shipped knocked down
- Front half transaction is 36"W for 72"W reception, 48"W for 84"W reception, and 60"W for 96"W reception

Options:

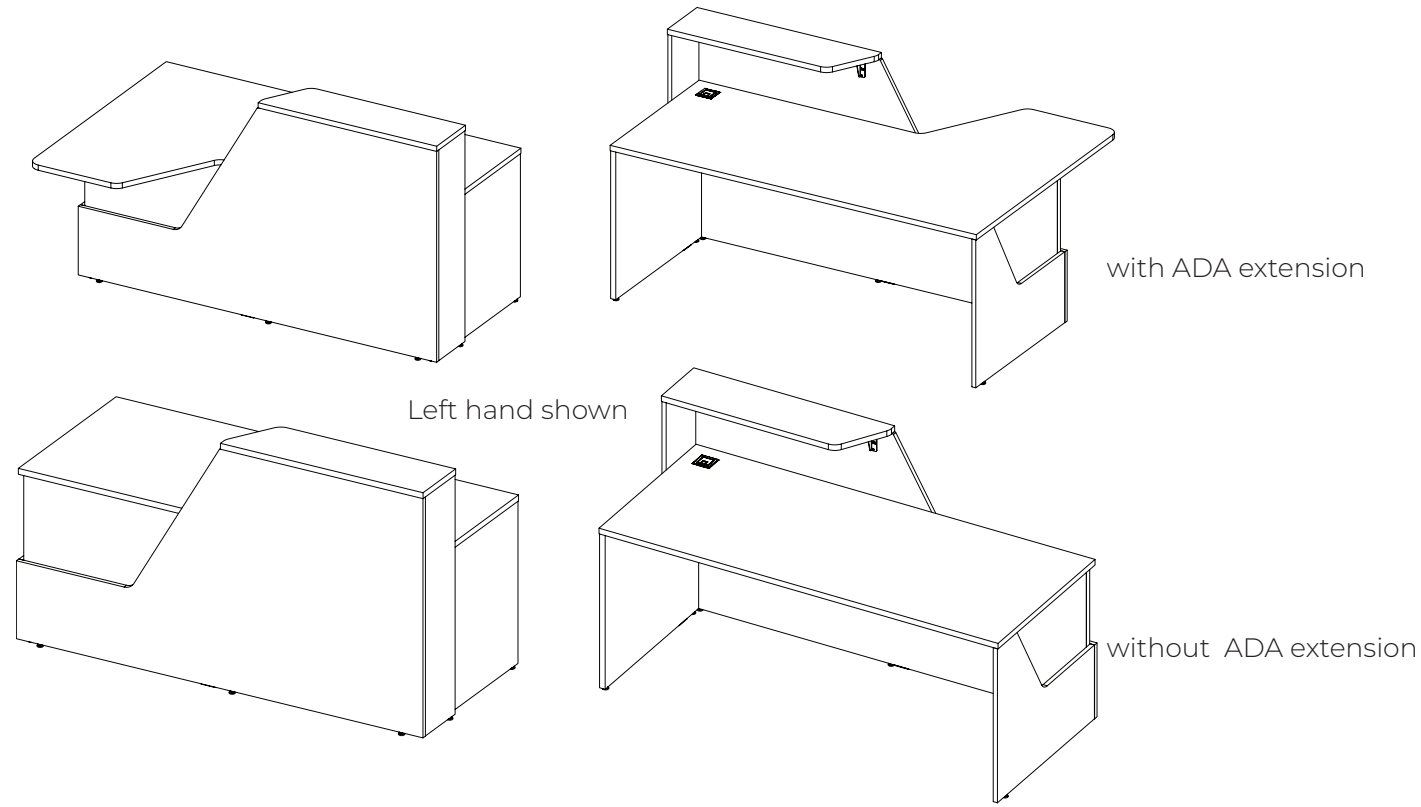
- Width: 72", 84", 96"
- Length: 72", 84, 96"
- Front worksurface depth: 30"
- Return worksurface depth: 24"
- With full transaction or Half Transaction top
- Laminate color for border shell and transaction top
- Laminate color for desk core inner body and worksurface

Full Transaction Top

Code	Price	H	W	D
Left Hand				
R2-L0TF-7272-A-L	\$7441	42	72	72
R2-L0TF-7284-A-L	\$7663	42	72	84
R2-L0TF-7296-A-L	\$8178	42	72	96
R2-L0TF-8472-A-L	\$7752	42	84	72
R2-L0TF-8484-A-L	\$8143	42	84	84
R2-L0TF-8496-A-L	\$8549	42	84	96
R2-L0TF-9672-A-L	\$8223	42	96	72
R2-L0TF-9684-A-L	\$8633	42	96	84
R2-L0TF-9696-A-L	\$9064	42	96	96
Right Hand				
R2-L0TF-7272-A-R	\$7441	42	72	72
R2-L0TF-7284-A-R	\$7663	42	72	84
R2-L0TF-7296-A-R	\$8178	42	72	96
R2-L0TF-8472-A-R	\$7752	42	84	72
R2-L0TF-8484-A-R	\$8143	42	84	84
R2-L0TF-8496-A-R	\$8549	42	84	96
R2-L0TF-9672-A-R	\$8223	42	96	72
R2-L0TF-9684-A-R	\$8633	42	96	84
R2-L0TF-9696-A-R	\$9064	42	96	96

Half Transaction Top

Code	Price	H	W	D
Left Hand				
R2-L0TH-7272-A-L	\$7177	42	72	72
R2-L0TH-7284-A-L	\$7397	42	72	84
R2-L0TH-7296-A-L	\$7913	42	72	96
R2-L0TH-8472-A-L	\$7487	42	84	72
R2-L0TH-8484-A-L	\$7876	42	84	84
R2-L0TH-8496-A-L	\$8283	42	84	96
R2-L0TH-9672-A-L	\$7956	42	96	72
R2-L0TH-9684-A-L	\$8368	42	96	84
R2-L0TH-9696-A-L	\$8800	42	96	96
Right Hand				
R2-L0TH-7272-A-R	\$7177	42	72	72
R2-L0TH-7284-A-R	\$7397	42	72	84
R2-L0TH-7296-A-R	\$7913	42	72	96
R2-L0TH-8472-A-R	\$7487	42	84	72
R2-L0TH-8484-A-R	\$7876	43	84	84
R2-L0TH-8496-A-R	\$8283	43	84	96
R2-L0TH-9672-A-R	\$7956	42	96	72
R2-L0TH-9684-A-R	\$8368	42	96	84
R2-L0TH-9696-A-R	\$8800	42	96	96



What's Included:

One (1) complete straight angled reception desk with hardware

How to Specify:

Refer to laminate swatches for laminate selections

Notes:

- Available with or without ADA
- ADA transaction surface is 48"L by 29"W and protrudes 18"D off the main surface
- Straight units come with one (1) grommet
- Up to two laminate colors can be chosen - one for the angled portion and transaction top and the other for the desk core and worksurface
- Reception desk is sold as one unit including hardware, storage must be specified separately
- Reception is shipped knocked down
- Front transaction is 36"W for 72"W reception, 42"W for 84"W reception and 54"W for 96"W reception

Options:

Width: 72", 84", 96"

Depth: 30"

With or without ADA extension

Laminate color for angled portion and transaction top

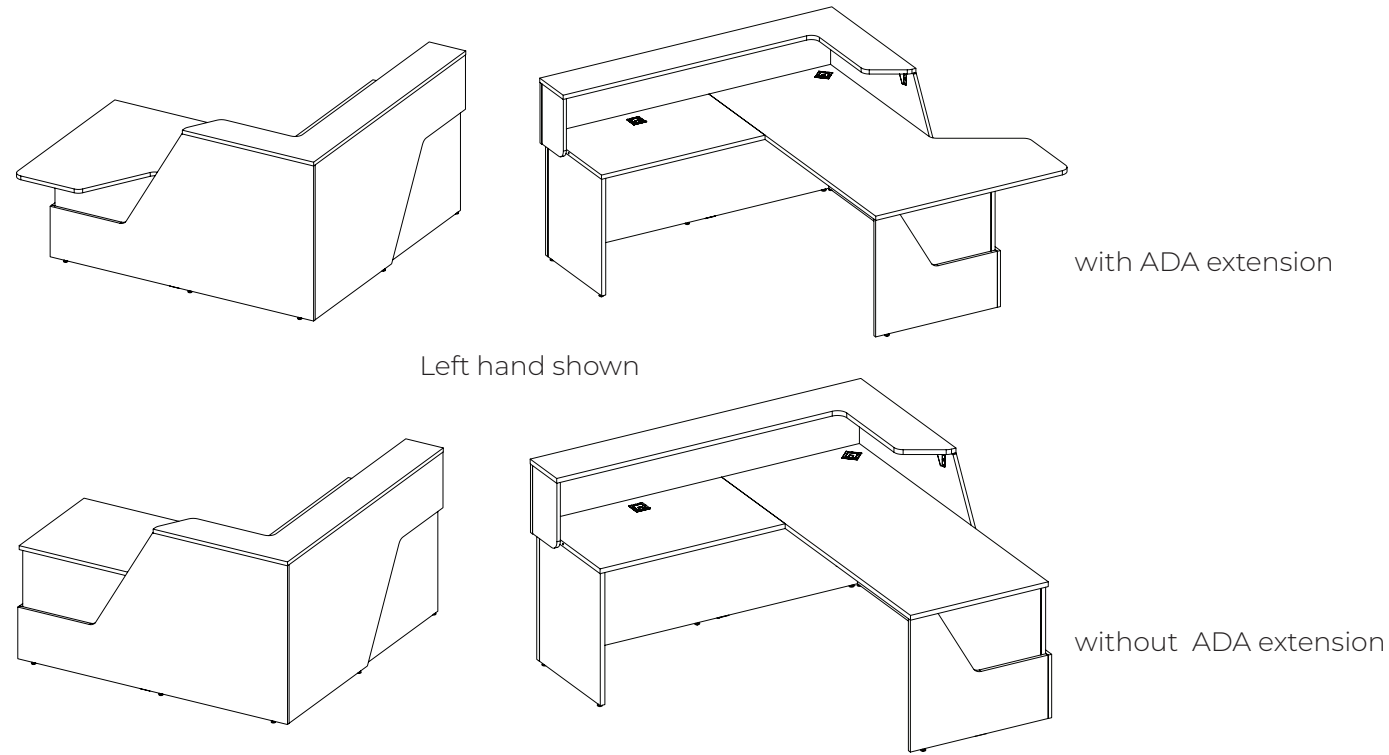
Laminate color for desk core and surface

With ADA extension

Code	Price	H	W	D
Left Hand				
R1-SATS-7230-L	\$4161	42	72	30
R1-SATS-7830-L	\$4235	42	78	30
R1-SATS-8430-L	\$4383	42	84	30
R1-SATS-9030-L	\$4605	42	90	30
R1-SATS-9630-L	\$4752	42	96	30
Right Hand				
R1-SATS-7230-R	\$4161	42	72	30
R1-SATS-7830-R	\$4235	42	78	30
R1-SATS-8430-R	\$4383	42	84	30
R1-SATS-9030-R	\$4605	42	90	30
R1-SATS-9630-R	\$4752	42	96	30

Without ADA extension

Code	Price	H	W	D
Left Hand				
R1-SNTS-7230-L	\$4061	42	72	30
R1-SNTS-7830-L	\$4135	42	78	30
R1-SNTS-8430-L	\$4284	42	84	30
R1-SNTS-9030-L	\$4505	42	90	30
R1-SNTS-9630-L	\$4652	42	96	30
Right Hand				
R1-SNTS-7230-R	\$4061	42	72	30
R1-SNTS-7830-R	\$4135	42	78	30
R1-SNTS-8430-R	\$4284	42	84	30
R1-SNTS-9030-R	\$4505	42	90	30
R1-SNTS-9630-R	\$4652	42	96	30



What's Included:

One (1) complete L-shape angled reception desk with hardware

How to Specify:

Refer to laminate swatches for laminate selections

Up to two laminate colors can be chosen - one for the angled portion and transaction top and the other for the desk core and worksurface

Notes:

- Available with or without ADA extension
- ADA transaction surface is 48”L by 29”W and protrudes 18”D off the main surface
- L shape units come with two (2) grommets
- Reception desk is sold as one unit including hardware, storage must be specified separately
- Reception is shipped knocked down
- User side will always have a partial transaction top to allow for ADA extension or open space for ADA parallel wheelchair access
- Front transaction is 36”W for 72”W reception, 42”W for 84”W reception and 54”W for 96”W reception

Options:

Width: 72”, 84”, 96”

Length: 72”, 84”, 96”

Front worksurface depth: 30”

Return worksurface depth: 24”

With out without ADA extension

Laminate color for angled portion and transaction top

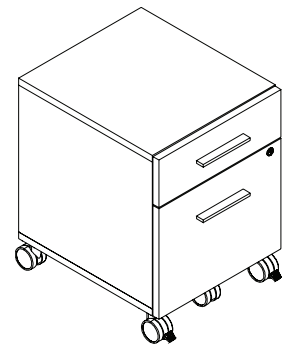
Laminate color for desk core and surface

With ADA extension

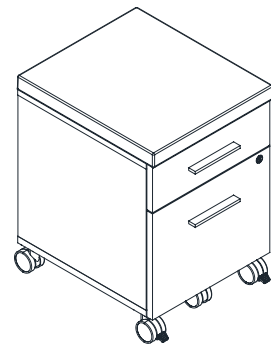
Code	Price	H	W	D
Left Hand				
R1-LATH-7272-A-L	\$6744	43	72	72
R1-LATH-7284-A-L	\$6964	42	72	84
R1-LATH-7296-A-L	\$7482	42	72	84
R1-LATH-8472-A-L	\$7056	42	84	72
R1-LATH-8484-A-L	\$7446	42	84	84
R1-LATH-8496-A-L	\$7850	42	84	96
R1-LATH-9672-A-L	\$7525	42	96	72
R1-LATH-9684-A-L	\$7936	42	96	84
R1-LATH-9696-A-L	\$8368	42	96	96
Right Hand				
R1-LATH-7272-A-R	\$6744	43	72	72
R1-LATH-7284-A-R	\$6964	42	72	84
R1-LATH-7296-A-R	\$7482	42	72	84
R1-LATH-8472-A-R	\$7056	42	84	72
R1-LATH-8484-A-R	\$7446	42	84	84
R1-LATH-8496-A-R	\$7850	42	84	96
R1-LATH-9672-A-R	\$7525	42	96	72
R1-LATH-9684-A-R	\$7936	42	96	84
R1-LATH-9696-A-R	\$8368	42	96	96

Without ADA extension

Code	Price	H	W	D
Left Hand				
R1-LNTH-7272-A-L	\$6644	43	72	72
R1-LNTH-7284-A-L	\$6865	42	72	84
R1-LNTH-7296-A-L	\$7383	42	72	84
R1-LNTH-8472-A-L	\$6956	42	84	72
R1-LNTH-8484-A-L	\$7346	42	84	84
R1-LNTH-8496-A-L	\$7751	42	84	96
R1-LNTH-9672-A-L	\$7425	42	96	72
R1-LNTH-9684-A-L	\$7836	42	96	84
R1-LNTH-9696-A-L	\$8269	42	96	96
Right Hand				
R1-LNTH-7272-A-R	\$6644	43	72	72
R1-LNTH-7284-A-R	\$6865	42	72	84
R1-LNTH-7296-A-R	\$7383	42	72	84
R1-LNTH-8472-A-R	\$6956	42	84	72
R1-LNTH-8484-A-R	\$7346	42	84	84
R1-LNTH-8496-A-R	\$7751	42	84	96
R1-LNTH-9672-A-R	\$7425	42	96	72
R1-LNTH-9684-A-R	\$7836	42	96	84
R1-LNTH-9696-A-R	\$8269	42	96	96



box/ file/no cushion



box/file w/ cushion

What's Included:

One (1) box/file mobile pedestal or one (1) box/file mobile pedestal with cushion, five (5) lockable casters

How to Specify:

- With or without cushion
- Refer to seating fabric card for cushion fabric selection
- Choose handle type and finish
- Choose depth
- Choose silver or white for caster finish

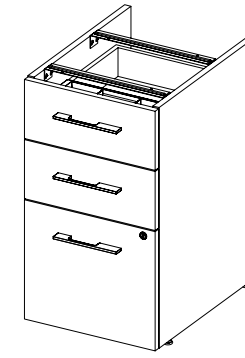
Options:

- Height: 21" without cushion, 22" with cushion
- Width: 16"
- Depth: 18"

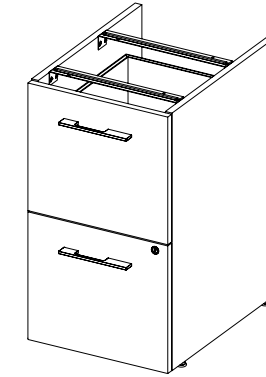
Notes:

Locks can be keyed alike or random

Code	Price	H	W	D	Weight (lb.)	Volume (ft ³)
box/file/no cushion						
RS-FPL0-211618	1408	21	16	18		
box/file w/ cushion Grade 1 Fabric						
RS-FPLS-221618-1	1465	22	16	18		
box/file w/ cushion Grade 2 Fabric						
RS-FPLS-221618-2	1502	22	16	18		
box/file w/ cushion Grade 3 Fabric						
RS-FPLS-221618-3	1541	22	16	18		
box/file w/ cushion Grade 6 Fabric						
RS-FPLS-221618-6	1654	22	16	18		



Box/Box/File



File/File

What's Included:

One (1) box/box/file or one (1) file/file underdesk pedestal

How to Specify:

Pedestal type: box/box/file, file/file

Options:

- Height: 28"
- Width: 16"
- Depth: 21"
- Left hand, right hand, standard

Notes:

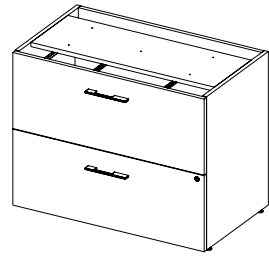
- Locks can be keyed alike or random
- Aloha must be specified as standard
- Maeva must be specified as left handed or right handed
- Karibu reception requires left hand or right hand for the side with ADA extension/open side.
- Transaction side requires standard pedestal

Box/Box/File

Code	Price	H	W	D
Left Hand				
RS-FPBU-281621-L	\$1103	28	16	21
Right Hand				
RS-FPBU-281621-R	\$1103	28	16	21
Standard				
RS-FPBU-281621-A	\$1103	28	16	21

File/File

Code	Price	H	W	D
Left Hand				
RS-FPFU-281621-L	\$1006	28	16	21
Right Hand				
RS-FPFU-281621-R	\$1006	28	16	21
Standard				
RS-FPFU-281621-A	\$1006	28	16	21



What's Included:

One (1) two drawer underdesk lateral filing cabinet, each drawer is equipped with two (2) bars for front to back filing

How to Specify:

Refer to laminate swatches for laminate selections

Choose handle type and finish

Notes:

Locks can be keyed alike or random

Aloha must be specified as standard

Maeva must be specified as left handed or right handed

Karibu reception requires left hand or right hand for the side with ADA extension/open side. Transaction side requires standard lateral

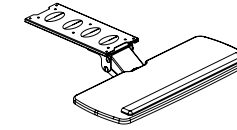
Options:

Height: 28"

Width: 30", 36", 42"

Depth: 21"

Code	Price	H	W	D
Left Hand				
RS-FL2U-283021-L	\$1703	28	30	21
RS-FL2U-283621-L	\$1764	28	36	21
RS-FL2U-284221-L	\$1858	28	42	21
Right Hand				
RS-FL2U-283021-R	\$1703	28	30	21
RS-FL2U-283621-R	\$1764	28	36	21
RS-FL2U-284221-R	\$1858	28	42	21
Standard				
RS-FL2U-283021-A	\$1703	28	30	21
RS-FL2U-283621-A	\$1764	28	36	21
RS-FL2U-284221-A	\$1858	28	42	21



Articulating Keyboard Tray

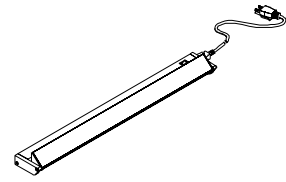
How to Specify:

The articulating keyboards are available only in black.

Notes:

All keyboard trays include palm rests.

Code	Price	H	W	D	Volume (ft³)	Weight (lb)
Articulating Keyboard Tray						
V-KAS0-2510	716	0	25	16	0	12



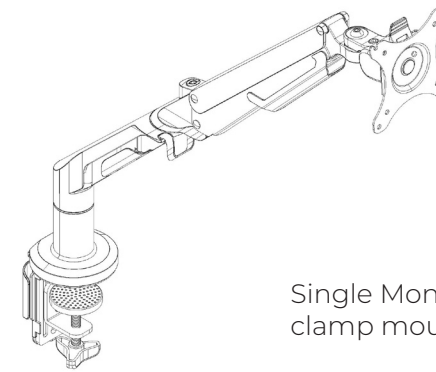
Task Light

Notes:

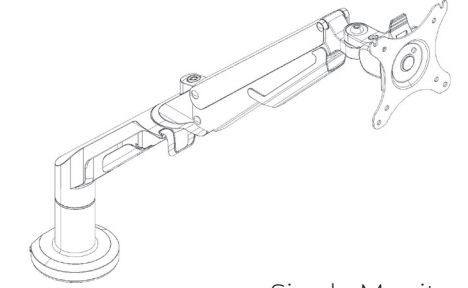
Task light comes in black finish.

Task lights come with built-in occupancy sensor with 30 minute delay

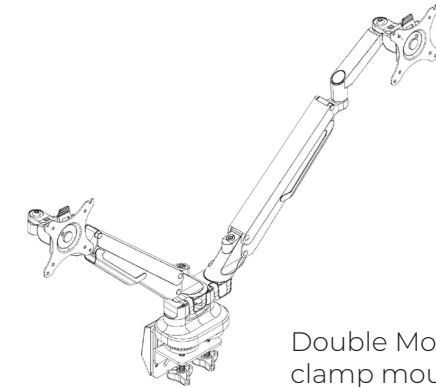
Code	Price	H	W	D	Volume (ft ³)	Weight (lb)
V-ELU-24	344	0	24	0	0	9.5
V-ELU-36	387	0	36	0	0	13.7
V-ELU-48	486	0	48	0.15	0	17.9



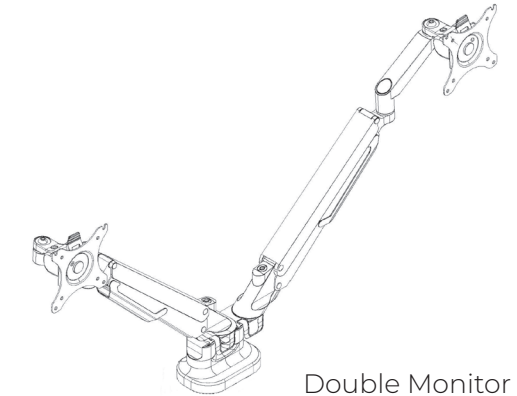
Single Monitor Arm - clamp mount



Single Monitor Arm - grommet mount



Double Monitor Arm - clamp mount



Double Monitor Arm - grommet mount

What's Included:

One monitor arm and installation hardware for both clamp and grommet mount

How to Specify:

- Specify type

Dimensions:

Vesa: 75x75 and 100x100

Notes:

Available in silver and black

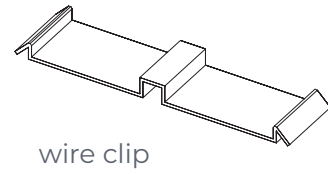
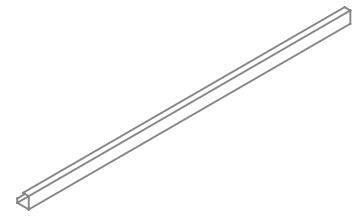
Single Monitor Arm

- Screen Size - 17"-36"
- Load Capacity - 6.6-26.4lbs/3-12kg
- Tilt Range - -90 degrees - -15 degrees

Dual Monitor Arm

- Screen Size - 17"-32"
- Load Capacity - 4.4-19.8lbs/2-9kg
- Tilt Range - -90 degrees - -15 degrees

Code	Price
Monitor Arm - Single Mount	
V-AFMA-01	426
Monitor Arm - Double Mount	
V-AFMA-02	711



What's Included:

One (1) cable manager

How to Specify:

Available in black only

Notes:

Dimensions:

length 12", 18", 24", 30", 36", 42", 48", 54", 60", 66", 72"

Code	Price	H	W	D	Weight (lb.)	Volume (ft ³)
horizontal wire manager						
V-EWHB-12	9	1.5	12	1.5	0.15	0.02
V-EWHB-18	14	1.5	18	1.5	0.25	0.02
V-EWHB-24	19	1.5	24	1.5	0.35	0.03
V-EWHB-30	23	1.5	30	1.5	0.45	0.04
V-EWHB-36	26	1.5	36	1.5	0.55	0.05
V-EWHB-42	31	1.5	42	1.5	0.65	0.05
V-EWHB-48	34	1.5	48	1.5	0.75	0.06
V-EWHB-54	37	1.5	54	1.5	0.85	0.07
V-EWHB-60	43	1.5	60	1.5	0.95	0.08
V-EWHB-66	47	1.5	66	1.5	1.05	0.09
V-EWHB-72	49	1.5	72	1.5	1.15	0.09
worksurface wire clips						
V-EWHC	45					



elephant trunk



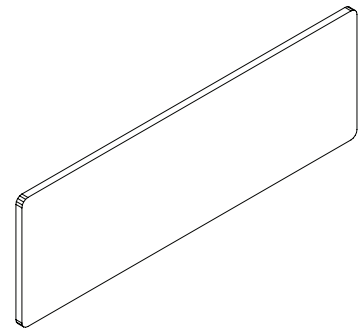
E-Chain Wire Manager

Notes:

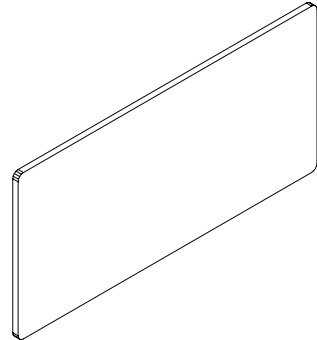
Elephant trunk is available in silver only.

E-Chain is available in black only

Code	Price	H	W	D	Volume (ft ³)	Weight (lb)
elephant trunk						
V-EE00	362	28	4	4	0.25	1
e-chain wire manager						
V-EE-28	336	28			1	1



14-inch



24-inch

What's Included:

Wall mounted tackboard, fasteners.

How to Specify:

Specify fabric.

Notes:

The wall mounted tackboard mounts to a wall in the workspace to provide a fabric wrapped tackable surface.

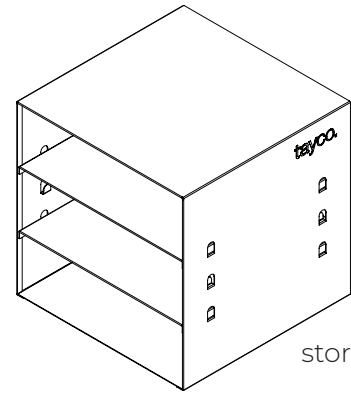
Options:

height	14, 24
width	24, 30, 36, 42, 48, 54, 60, 66, 72
screen finish	panel fabrics

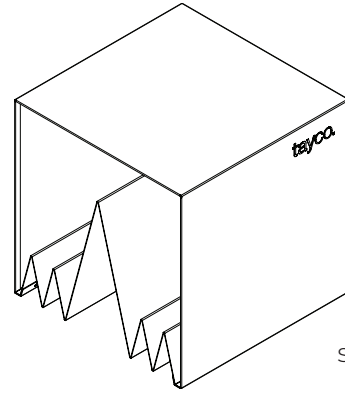
Code	Price	H (in.)	W (in.)	Weight (lb)	Volume (ft ³)
V-ATW0-1424-1	133	14	24	1.2	0.19
V-ATW0-1430-1	144	14	30	1.5	0.24
V-ATW0-1436-1	178	14	36	1.9	0.29
V-ATW0-1442-1	187	14	42	2.2	0.34
V-ATW0-1448-1	195	14	48	2.5	0.39
V-ATW0-1454-1	206	14	54	2.8	0.44
V-ATW0-1460-1	217	14	60	3.1	0.49
V-ATW0-1466-1	274	14	66	3.4	0.54
V-ATW0-1472-1	295	14	72	3.7	0.59
V-ATW0-1478-1	403	14	78	4	0.64
V-ATW0-1484-1	413	14	84	4.3	0.69
V-ATW0-1496-1	427	14	96	4.6	0.79
V-ATW0-2124-1	201	21	24	1.8	0.28
V-ATW0-2130-1	216	21	30	2.25	0.36
V-ATW0-2142-1	282	21	42	3.3	0.51
V-ATW0-2148-1	293	21	48	3.75	0.58
V-ATW0-2154-1	308	21	54	4.2	0.66
V-ATW0-2160-1	324	21	60	4.65	0.73
V-ATW0-2166-1	408	21	66	5.1	0.81
V-ATW0-2172-1	441	21	72	5.55	0.89
V-ATW0-2178-1	605	21	78	6	0.96
V-ATW0-2184-1	622	21	84	6.45	1.03
V-ATW0-2196-1	642	21	96	7.35	1.19
V-ATW0-2424-1	227	24	24	2.05	0.32
V-ATW0-2430-1	244	24	30	2.56	0.41
V-ATW0-2436-1	303	24	36	3.25	0.5
V-ATW0-2442-1	320	24	42	3.76	0.58
V-ATW0-2448-1	330	24	48	4.28	0.67
V-ATW0-2454-1	350	24	54	4.79	0.75
V-ATW0-2460-1	368	24	60	5.3	0.84
V-ATW0-2466-1	462	24	66	5.81	0.92
V-ATW0-2472-1	501	24	72	6.33	1.01
V-ATW0-2478-1	686	24	78	6.84	1.09
V-ATW0-2484-1	703	24	84	7.35	1.18
V-ATW0-2490-1	716	24	90	7.87	1.27
V-ATW0-2496-1	728	24	96	8.38	1.35

Code	Price	H (in.)	W (in.)	Weight (lb)	Volume (ft ³)
V-ATW0-1424-2	170	14	24	1.2	0.19
V-ATW0-1430-2	180	14	30	1.5	0.24
V-ATW0-1436-2	251	14	36	1.9	0.29
V-ATW0-1442-2	262	14	42	2.2	0.34
V-ATW0-1448-2	267	14	48	2.5	0.39
V-ATW0-1454-2	279	14	54	2.8	0.44
V-ATW0-1460-2	289	14	60	3.1	0.49
V-ATW0-1466-2	382	14	66	3.4	0.54
V-ATW0-1472-2	405	14	72	3.7	0.59
V-ATW0-1478-2	513	14	78	4	0.64
V-ATW0-1484-2	523	14	84	4.3	0.69
V-ATW0-1490-2	530	14	90	4.6	0.74
V-ATW0-1496-2	574	14	96	4.9	0.79
V-ATW0-2124-2	237	21	24	1.8	0.28
V-ATW0-2130-2	251	21	30	2.25	0.36
V-ATW0-2136-2	340	21	36	2.85	0.43
V-ATW0-2142-2	356	21	42	3.3	0.51
V-ATW0-2148-2	365	21	48	3.75	0.58
V-ATW0-2154-2	383	21	54	4.2	0.66
V-ATW0-2160-2	398	21	60	4.65	0.73
V-ATW0-2166-2	517	21	66	5.1	0.81
V-ATW0-2172-2	553	21	72	5.55	0.89
V-ATW0-2178-2	715	21	78	6	0.96
V-ATW0-2184-2	730	21	84	6.45	1.03
V-ATW0-2190-2	741	21	90	6.9	1.11
V-ATW0-2196-2	788	21	96	7.35	1.19
V-ATW0-2424-2	263	24	24	2.05	0.32
V-ATW0-2430-2	280	24	30	2.56	0.41
V-ATW0-2436-2	376	24	36	3.25	0.5
V-ATW0-2442-2	395	24	42	3.76	0.58
V-ATW0-2448-2	403	24	48	4.28	0.67
V-ATW0-2454-2	424	24	54	4.79	0.75
V-ATW0-2460-2	440	24	60	5.3	0.84
V-ATW0-2466-2	571	24	66	5.81	0.92
V-ATW0-2472-2	610	24	72	6.33	1.01
V-ATW0-2478-2	794	24	78	6.84	1.09
V-ATW0-2484-2	812	24	84	7.35	1.18
V-ATW0-2490-2	826	24	90	7.87	1.27
V-ATW0-2496-2	874	24	96	8.38	1.35

Code	Price	H (in.)	W (in.)	Weight (lb)	Volume (ft ³)
V-ATW0-1424-3	206	14	24	1.2	0.19
V-ATW0-1430-3	217	14	30	1.5	0.24
V-ATW0-1436-3	324	14	36	1.9	0.29
V-ATW0-1442-3	335	14	42	2.2	0.34
V-ATW0-1448-3	340	14	48	2.5	0.39
V-ATW0-1454-3	353	14	54	2.8	0.44
V-ATW0-1460-3	362	14	60	3.1	0.49
V-ATW0-1466-3	491	14	66	3.4	0.54
V-ATW0-1472-3	514	14	72	3.7	0.59
V-ATW0-1478-3	623	14	78	4	0.64
V-ATW0-1484-3	632	14	84	4.3	0.69
V-ATW0-1490-3	640	14	90	4.6	0.74
V-ATW0-1496-3	647	14	96	4.9	0.79
V-ATW0-2124-3	275	21	24	1.8	0.28
V-ATW0-2130-3	288	21	30	2.25	0.36
V-ATW0-2136-3	413	21	36	2.85	0.43
V-ATW0-2142-3	428	21	42	3.3	0.51
V-ATW0-2148-3	438	21	48	3.75	0.58
V-ATW0-2154-3	456	21	54	4.2	0.66
V-ATW0-2160-3	470	21	60	4.65	0.73
V-ATW0-2166-3	627	21	66	5.1	0.81
V-ATW0-2172-3	662	21	72	5.55	0.89
V-ATW0-2178-3	824	21	78	6	0.96
V-ATW0-2184-3	840	21	84	6.45	1.03
V-ATW0-2190-3	850	21	90	6.9	1.11
V-ATW0-2196-3	862	21	96	7.35	1.19
V-ATW0-2424-3	301	24	24	2.05	0.32
V-ATW0-2430-3	318	24	30	2.56	0.41
V-ATW0-2436-3	449	24	36	3.25	0.5
V-ATW0-2442-3	465	24	42	3.76	0.58
V-ATW0-2448-3	477	24	48	4.28	0.67
V-ATW0-2454-3	497	24	54	4.79	0.75
V-ATW0-2460-3	514	24	60	5.3	0.84
V-ATW0-2466-3	681	24	66	5.81	0.92
V-ATW0-2472-3	719	24	72	6.33	1.01
V-ATW0-2478-3	905	24	78	6.84	1.09
V-ATW0-2484-3	921	24	84	7.35	1.18
V-ATW0-2490-3	934	24	90	7.87	1.27
V-ATW0-2496-3	946	24	96	8.38	1.35



storage cube (shelf)



storage cube (sorter)

What's Included:

Shelf: Storage cube (1) and two shelf inserts (2).
 Sorter: Storage cube (1) and an insert (1).

How to Specify:

Available in a variety of powder coat finish colors. Refer to the samples presented on Tayco metal finish card.
 Storage cube outer shell and insert are available in a variety of color combinations.

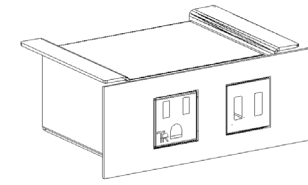
Notes:

Storage cube can hold multiple folders and papers.

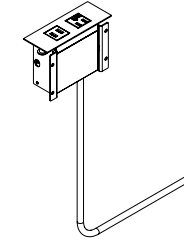
Color combination Options:

Insert Color	OUTER SHELL COLOR							
	P121 white	P112 silver	P114 black	P200 sunrise	P201 tropic	P202 vineyard	P203 sky	P204 meadow
P121 white	✓	✓	✓	✓	✓	✓	✓	✓
P112 silver	✓	✓	✓	✓	✓	✓	✓	✓
P114 black	✓	✓	✓	✓	✓	✓	✓	✓
P200 sunrise	✓	✓	✓	✓				
P201 tropic	✓	✓	✓		✓			
P202 vineyard	✓	✓	✓			✓		
P203 sky	✓	✓	✓				✓	
P204 meadow	✓	✓	✓					✓

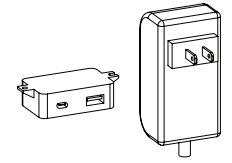
Code	Price	H (in.)	W (in.)	D 1 (in.)	Weight (lb)	Volume (ft ³)
storage cube (shelf)						
V-ACSF	432	12	12	12	8	1
storage cube (sorter)						
V-ACSR	349	12	12	12	8	1



Side Mounted, 1 Outlet + Dual USB Ports

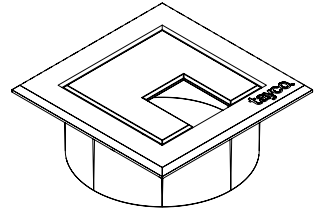


Side Mounted Module With Power And USB

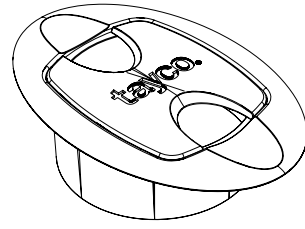


Side Mounted USB A & C, 1 Module, with AC Adapter

Code	Price	H	W	D	Volume	Weight
side Mounted USB, 1 Module, With AC Adapter						
V-ESMU-A	204				2	2
side Mounted USB, 4 Module, With Hub						
V-ESMU-K	1134				2	2
side Mounted Module With Power And USB						
V-ESMU-P	296				2	2



square grommet cover



oval grommet cover

Notes:

Square Grommet covers available in black, silver and white.

Oval Grommet covers available in black and silver

Code	Price	H	W	D	Volume (ft ³)	Weight (lb)
square grommet covers						
8540-1132	24	1.25	3.13	3.13	0	0.44
8540-1133	24	1.25	3.13	3.13	0	0.44
8540-1134	24	1.25	3.13	3.13	0	0.44
oval grommet covers						
8540-0790	24	1.13	3	4.75	0	0.44
8540-0791	24	1.13	3	4.75	0	0.44

Code	Price	H	W	D	Volume (ft ³)	Weight (lb)
lock and key						
GEN-LOCK-CORE-KEY	23					