



# Tables Pricebook

**MHEC**

Contract Number: MC13-C07

April 2025

Caution	iii	Studi tables	79
Volley tables	5	with Power Module & Daisy Chain	80
120 base & surface	6	with Power Module	82
straight	8	with Grommet	84
5 sided	12	without Grommet	86
unitized	14	Add ons	88
upgrades	24	PET Modesty	88
Norris tables	29	Frosted Acrylic Modesty	89
super ellipse without power and data	30	Ganging Mechanism	90
super ellipse with power and data	32	Daisy Chain	91
video without power and data	34	Echo tables	93
video with power and data	36	Super Ellipse	94
boat without power and data	38	no power module	94
boat with power and data	40	w power module	95
straight without power and data	42	Round	96
straight with power and data	44	no power module	96
options	46	w power module	97
add-on Kits	47	Squircle	98
Kip tables	49	no power module	98
community table without power and data	50	w power module	99
community table with power and data	52		
Koko tables	55		
rectangular table	56		
round table	57		
Hanna tables	59		
T base - slim	60		
T base - tubular	62		
X base - slim	64		
X base - tubular	66		
super ellipse top	68		
round top	70		
squircle top	72		
rectangular top	74		
square top	76		

**Load Bottom Drawer First**

- Operate one drawer at a time
- Units may tip if loaded incorrectly
- Units should be attached to a wall or other furniture to reduce tipping hazard
- Always load the heaviest files in the bottom drawer

**Heavy Load**

- Some products must be anchored to wall to ensure stability & safety.
- It is the owner and installers responsibility to ensure that the wall type and construction is of sufficient strength to carry the loads of any wall mounted products and their contents.
- Failure of the wall and anchors to support all imposed loads may result in property damage and/or personal injury.
- Tayco can provide size and empty weight of its products only. As wall blocking is considered a building construction process, Tayco cannot provide recommendations in this respect and cannot be responsible for damage or injury that may occur as a result of improper installation and/or blocking.

**Instability Hazard**

Mobile items on casters such as flip top, personal and movable tables of any type and storage items of any type may present an instability hazard if not secured correctly while in use or in storage. Flip top tables or training tables of any type, are inherently more unstable when folded. Tayco provides the following guidelines & warnings when using mobile products:

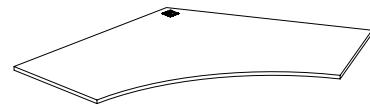
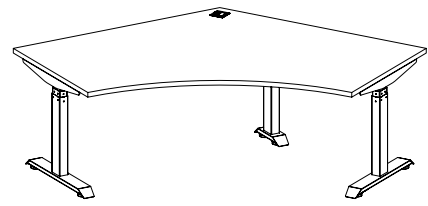
- Lock casters immediately after moving. Do not leave the casters unlocked when in use or in storage.
- Motion may increase the instability of any item with casters. If the wheels hit an obstruction the table's forward momentum often causes overturn, especially if the item is not equipped with wheel extensions. Exercise strong caution while moving these items.
- Use caution when abrupt level changes in the floor are present (such as a doorway or room threshold) as caster failure or tipping may result.
- Do not stand, sit or lean on mobile items for support. They are not intended for this use and personal injury or property damage may result.
- Mobile units that feature height adjustable elements must be lowered to the minimum compressed height when moving to prevent instability. It is also recommended the user remove all computer equipment or other accessories to prevent possible weight imbalance or damage to equipment.
- Failure to follow the guidelines above may result in property damage or personal injury.



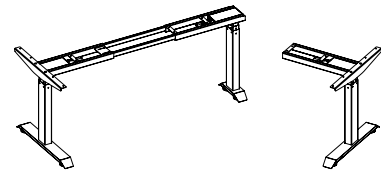
Tables Pricebook  
January 2026  
**Volley**

Volley tables

<u>120 base &amp; surface</u>	6
<u>straight</u>	8
<u>with enclosures, no modesty</u>	10
<u>with enclosures, trough &amp; modesty</u>	11
<u>5 sided</u>	12
<u>unitized</u>	14
<u>upgrades</u>	24
<u>Height Adjustable Table Enclosure Box</u>	24
<u>Flex Cable Organizer</u>	25
<u>Trough &amp; Trough Mounted Modesty</u>	26



height adjustable surface



height adjustable base

**What's Included:**

One (1) 120 Volley table (1) with one (1) grommet, a set of height adjustable supports (1) and one digital height display unit (1).

**How to Specify:**

Grommet can be specified in silver or white. Edge color will default to match the surface color of the worksurface unless otherwise specified. Pinch points are taken into account in all of the Integrated tables.

**Notes:**

Worksurface is 1-inch thick. All worksurfaces have 2mm vinyl edge trim. Low pressure laminate is available on the top surface of a worksurface.

Table height can be adjusted to 25" from the ground and raised to a maximum height of 51" from the ground. BIFMA bases can be adjusted to 22.75" from the ground and raised to a maximum height of 48.75" from the ground.

Load capacity of 330lb with worksurface.

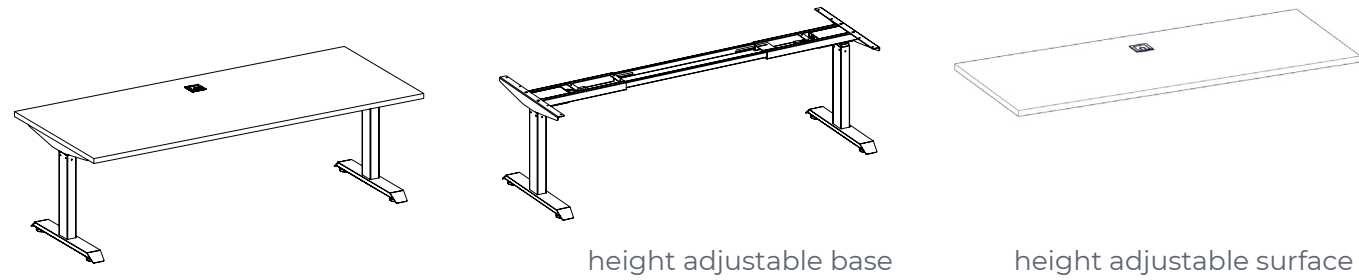
**Freestanding Options:**

Width	42", 48", 54"
Depth	42", 48", 54"
End	24", 30"
Worksurface Laminate	laminate color
Leg color	silver      white      black

**Integrated Options:**

Width	40", 46", 52"
Depth	40", 46", 52"
End	23", 29"
Worksurface Laminate	laminate color
Leg color	silver      white      black

Code	Price	Height (in)	W Range (in)	D (in)	Volume (ft <sup>3</sup> )	Weight (lb)
<b>120 Base</b>						
R-HA3B2-S-G3	3630		40"-48"	24	4.22	120
R-HA3B2-L-G3	3665		52"-60"	24	4.27	128
<b>BIFMA Base</b>						
R-HA3B2-S-G3-B	3630		40"-48"	24	4.22	120
R-HA3B2-L-G3-B	3665		52"-60"	24	4.27	128
<b>120 Surface - Freestanding</b>						
R-S2CG-4224	1074	1	42	42	1.8	32
R-S2CG-4230	1300	1	42	42	2.125	35
R-S2CG-4824	1140	1	48	48	1.9	35
R-S2CG-4830	1367	1	48	48	2.25	38
R-S2CG-5424	1154	1	54	54	2.1	38
R-S2CG-5430	1382	1	54	54	2.45	41
<b>120 Surface - Integrated</b>						
R-S2CG-4023	1038	1	40	40	1.71	30
R-S2CG-4029	1243	1	40	40	2.03	33
R-S2CG-4623	1104	1	46	46	1.8	33
R-S2CG-4629	1309	1	46	46	2.15	36
R-S2CG-5223	1118	1	52	52	2	36
R-S2CG-5229	1323	1	52	52	2.35	39



**What's Included:**

Straight desk worksurface (1) with a center grommet (1) a set of height adjustable supports (1) and one digital height display unit (1).

**How to Specify:**

Grommet can be specified in silver or white.

Edge color will default to match the surface color of the worksurface unless otherwise specified.

Pinch points are taken into account in all of the Integrated tables.

**Notes:**

Straight desk worksurface is 1-inch thick.

Table height can be adjusted to 25" from the ground and raised to a maximum height of 51" from the ground. BIFMA bases can be adjusted to 22.75" from the ground and raised to a maximum height of 48.75" from the ground.

Load capacity of 275lb with worksurface.

**Freestanding Options:**

Width	36", 42", 48", 54", 60", 66", 72"		
Depth	24", 30"		
Worksurface Laminate	laminate color		
Leg color	silver	white	black

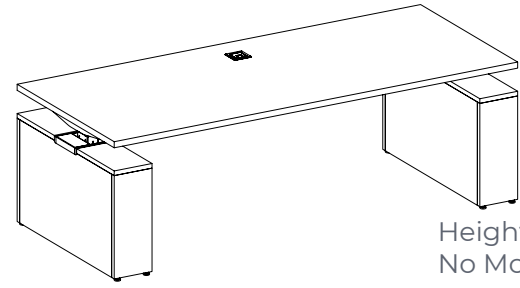
**Integrated Options:**

Width	34", 40", 46", 52", 58", 64", 70"		
Depth	23", 29"		
Worksurface Laminate	laminate color		
Leg color	silver	white	black

**straight - base**

Code	Price	W Range (in)	D(in)	Weight (lb)	Volume (ft <sup>3</sup> )
R-HATB-S-G3	1671	40"-72"	24	88	2.8
R-HATB-L-G3	1710	76"-90"	24	90	2.86
<b>BIFMA base</b>					
R-HATB-S-G3-B	1671	40"-72"	24	88	2.8
R-HATB-L-G3-B	1710	76"-90"	24	90	2.86

Code	Price	Width (in)	Depth (in)	Volume (ft <sup>3</sup> )	Weight (lb)
<b>surface - freestanding</b>					
R-WS0G-3624	360	36	24	0	16
R-WS0G-3630	366	36	30	0	20
R-WS0G-4224	384	42	24	0	18.66
R-WS0G-4230	393	42	30	0	23.33
R-WS0G-4824	438	48	24	0	21.33
R-WS0G-4830	461	48	30	0	26.67
R-WS0G-5424	530	54	24	0	24
R-WS0G-5430	566	54	30	0	30
R-WS0G-6024	556	60	24	0	26.67
R-WS0G-6030	592	60	30	0	33.31
R-WS0G-6624	615	66	24	0	29.33
R-WS0G-6630	631	66	30	0	36.65
R-WS0G-7224	644	72	24	0	32
R-WS0G-7230	647	72	30	0	40
R-WS0G-7824	799	78	24	1.3	34
R-WS0G-7830	841	78	30	1.625	42
R-WS0G-8424	871	84	24	1.4	36
R-WS0G-8430	915	84	30	1.75	44
<b>surface integrated</b>					
R-WS0G-3423	360	34	23	0	15.98
R-WS0G-3429	366	34	29	0	19.97
R-WS0G-4023	384	40	23	0	18.64
R-WS0G-4029	393	40	29	0	23.3
R-WS0G-4623	438	46	23	0	21.31
R-WS0G-4629	461	46	29	0	26.64
R-WS0G-5223	514	52	23	0	23.98
R-WS0G-5229	530	52	29	0	29.77
R-WS0G-5823	556	58	23	0	26.65
R-WS0G-5829	546	58	29	0	33.28
R-WS0G-6423	615	64	23	0	29.31
R-WS0G-6429	631	64	29	0	36.62
R-WS0G-7023	644	70	23	0	31.98
R-WS0G-7029	647	70	29	0	39.77
R-WS0G-7623	799	76	23	1.21	33.98
R-WS0G-7629	841	76	29	1.53	41.77
R-WS0G-8223	871	82	23	1.3	35.98
R-WS0G-8229	915	82	29	1.65	43.77



Height Adjustable Table, w/Box Enclosure, w/Grommet, No Modesty

**What's Included:**

HAT table, box enclosure, grommet

**How to Specify:**

Edge color will default to match the surface color of the worksurface unless otherwise specified.

Grommet can be specified in silver or white.

Enclosure comes with automatically matching worksurface laminate unless otherwise specified.

HAT leg can be specified in silver, black or white.

**Notes:**

Worksurface is 1-inch thick.

All worksurfaces have 2mm vinyl edge trim.

Low pressure laminate is available on the top surface of a worksurface.

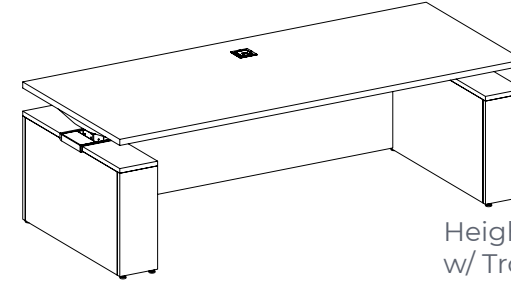
Table height can be adjusted to 25.5" from the ground and raised to a maximum height of 51" from the ground.

Load capacity of 350lb with worksurface.

**Options:**

Width	60", 66", 72", 78", 84"		
Depth	24", 30"		
Worksurface Laminate	laminate color		
Leg color	silver	white	black

Code	Price	H Range (in)	W (in)	D (in)
R-HABT-6024-N	4159	25.5 - 51	60	24
R-HABT-6624-N	4162	25.5 - 52	66	24
R-HABT-7224-N	4249	25.5 - 53	72	24
R-HABT-7824-N	4287	25.5 - 54	78	24
R-HABT-8424-N	4289	25.5 - 55	84	24
R-HABT-6030-N	4169	25.5 - 51	60	30
R-HABT-6630-N	4171	25.5 - 52	66	30
R-HABT-7230-N	4256	25.5 - 53	72	30
R-HABT-7830-N	4296	25.5 - 54	78	30
R-HABT-8430-N	4299	25.5 - 55	84	30



Height Adjustable Table, w/Box Enclosure, w/Grommet, w/ Trough & Modesty, 1" Top

**What's Included:**

HAT table, box enclosure, grommet, modesty

**How to Specify:**

Edge color will default to match the surface color of the worksurface unless otherwise specified.

Grommet can be specified in silver or white.

Enclosure comes with automatically matching worksurface laminate unless otherwise specified.

HAT leg can be specified in silver, black or white.

Modesty can be specified in frost acrylic or laminate. Laminate modesty will default to match the worksurface colour unless otherwise specified.

**Notes:**

Worksurface is 1-inch thick.

All worksurfaces have 2mm vinyl edge trim.

Low pressure laminate is available on the top surface of a worksurface.

Table height can be adjusted to 25.5" from the ground and raised to a maximum height of 51" from the ground.

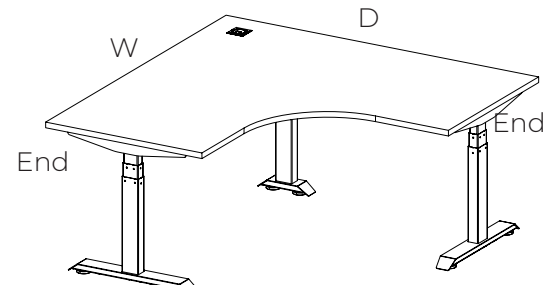
Load capacity of 350lb with worksurface.

Modesty size is adjusted to incorporate Volley height adjustable table enclosures

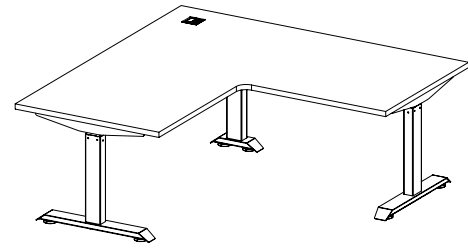
**Options:**

Width	60", 66", 72", 78", 84"		
Depth	24", 30"		
Worksurface Laminate	laminate color		
Leg color	silver	white	black

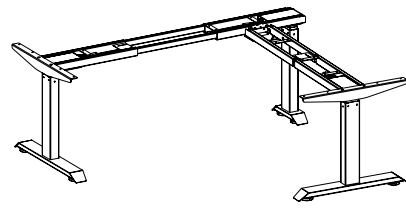
Code	Price	H Range (in)	W (in)	D (in)
R-HABT-6024-M	4812	25.5 - 51	60	24
R-HABT-6624-M	4829	25.5 - 52	66	24
R-HABT-7224-M	4964	25.5 - 53	72	24
R-HABT-7824-M	5058	25.5 - 54	78	24
R-HABT-8424-M	5072	25.5 - 55	84	24
R-HABT-6030-M	4820	25.5 - 51	60	30
R-HABT-6630-M	4836	25.5 - 52	66	30
R-HABT-7230-M	4971	25.5 - 53	72	30
R-HABT-7830-M	5065	25.5 - 54	78	30
R-HABT-8430-M	5082	25.5 - 55	84	30



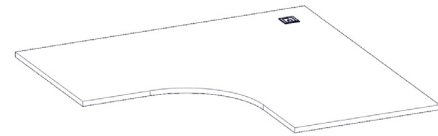
5 sided height adjustable table- curved



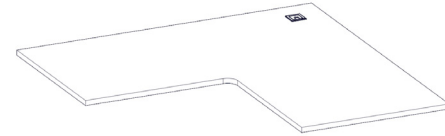
5 sided height adjustable table- 90 degree



5 sided base



5 sided surface - curved



5 sided surface - 90 degree

**What's Included:**

Unitized Volley tables (1) with one grommet (1), a set of height adjustable supports (1) and one digital height display unit (1).

**How to Specify:**

Grommet can be specified in silver or white.

Edge color will default to match the surface color of the worksurface unless otherwise specified.

Pinch points are taken into account in all of the Integrated tables.

**Notes:**

Straight desk worksurface is 1-inch thick.

Table height can be adjusted to 25" from the ground and raised to a maximum height of 51" from the ground. BIFMA bases can be adjusted to 22.75" from the ground and raised to a maximum height of 48.75" from the ground.

Load capacity of 330lb with worksurface.

**Freestanding Options:**

Width/Depth	48", 54", 60",		
End	24", 30"		
Worksurface Laminate	laminate color		
Leg color	silver	white	black

**Integrated Options:**

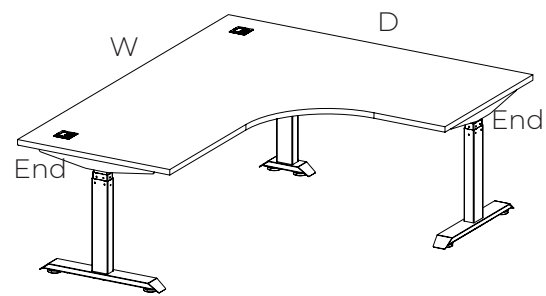
Width/Depth	46", 52", 58"		
End	23", 29"		
Worksurface Laminate	laminate color		
Leg color	silver	white	black

**5 sided base**

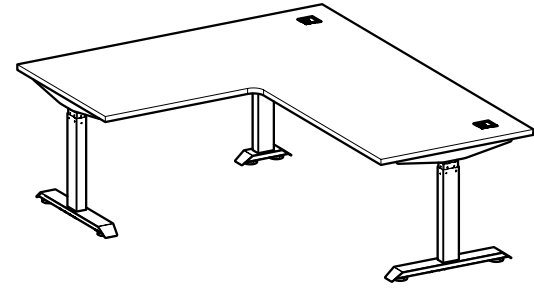
Code	Price	W Range (in)	D (in)	Volume (ft <sup>3</sup> )	Weight (lb)
R-HA3B-S-G3	3371	46"-72"	24	146	4.22
R-HA3B-L-G3	3408	58"-84"	24	148	4.27
<b>BIFMA base</b>					
R-HA3B-S-G3-B	3093	46"-72"	24	146	4.22
R-HA3B-L-G3-B	3127	58"-84"	24	148	4.27

**5 sided surface**

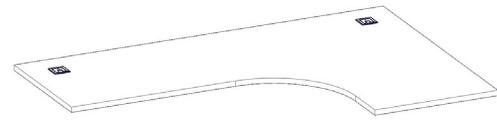
Code	Price	Width (in)	Depth (in)	Volume (ft <sup>3</sup> )	Weight (lb)
<b>freestanding curved</b>					
R-W5CG-4824	778	48	24	5.22	47.43
R-W5CG-4830	809	48	30	5.22	50.21
R-W5CG-5424	887	54	24	5.22	49.45
R-W5CG-5430	1007	54	30	5.22	51.63
R-W5CG-6024	986	60	24	5.22	54.2
R-W5CG-6030	1151	60	30	5.22	56.32
<b>freestanding 90 degree</b>					
R-W5NG-4824	778	48	24	5.22	47.43
R-W5NG-4830	809	48	30	5.22	50.21
R-W5NG-5424	887	54	24	5.22	49.45
R-W5NG-5430	1007	54	30	5.22	51.63
R-W5NG-6024	986	60	24	5.22	54.2
R-W5NG-6030	1151	60	30	5.22	56.32
<b>integrated curved</b>					
R-W5CG-4623	778	46	23	5.22	47.43
R-W5CG-4629	809	46	29	5.22	50.21
R-W5CG-5223	887	52	23	5.22	49.45
R-W5CG-5229	1007	52	29	5.22	51.63
R-W5CG-5823	986	58	23	5.22	54.2
R-W5CG-5829	1151	58	29	5.22	56.32
<b>integrated 90 degree</b>					
R-W5NG-4623	778	46	23	5.22	47.43
R-W5NG-4629	809	46	29	5.22	50.12
R-W5NG-5223	887	52	23	5.22	49.43
R-W5NG-5229	1007	52	29	5.22	51.6
R-W5NG-5823	986	58	23	5.22	54.01
R-W5NG-5829	1151	58	29	5.22	56.03



unitized height adjustable table - curved left hand version shown



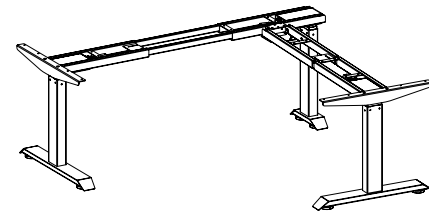
unitized height adjustable table - 90 degree left hand version shown



unitized surface - curved -left hand version shown



unitized surface- 90 degree - right hand version shown



unitized base

**What's Included:**

Unitized Volley tables (1) with two grommets (2) a set of height adjustable supports (1) and one digital height display unit (1).

**How to Specify:**

Grommet can be specified in silver or white.

Edge color will default to match the surface color of the worksurface unless otherwise specified.

Pinch points are taken into account in all of the Integrated tables.

**Notes:**

Straight desk worksurface is 1-inch thick.

All worksurfaces have 2mm vinyl edge trim.

Low pressure laminate is available on the top surface of a worksurface.

Table height can be adjusted to 25.5" from the ground and raised to a maximum height of 51" from the ground.

Load capacity of 350lb with worksurface.

**Freestanding Options:**

Width	60", 66", 72", 78", 84"
Depth	48", 54", 60"
End	24", 30"
Worksurface Laminate	laminate color
Leg color	silver      white      black

**Integrated Options:**

Width	58", 64", 70", 76", 82"
Depth	46", 52", 58"
End	23", 29"
Worksurface Laminate	laminate color
Leg color	silver      white      black

unitized base

Code	Price	W Range (in)	D (in)	Volume (ft <sup>3</sup> )	Weight (lb)
R-HA3B-S-G3	3371	46"-72"	24	146	4.22
R-HA3B-L-G3	3408	58"-84"	24	148	4.27

Code	Price	W (in)	Depth (in)	End (in)	Volume (ft <sup>3</sup> )	Weight (lb)
surface - freestanding curved						
R-WUCG-604824-L	1133	60	48	24	5.42	46.03
R-WUCG-604824-R	1133	60	48	24	5.42	46.03
R-WUCG-604830-L	1163	60	48	30	5.42	48.13
R-WUCG-604830-R	1163	60	48	30	5.42	48.13
R-WUCG-605424-L	1244	60	54	24	5.42	47.06
R-WUCG-605424-R	1244	60	54	24	5.42	47.06
R-WUCG-605430-L	1274	60	54	30	5.42	49.32
R-WUCG-605430-R	1274	60	54	30	5.42	49.32
R-WUCG-664824-L	1256	66	48	24	5.42	48.13
R-WUCG-664824-R	1256	66	48	24	5.42	48.13
R-WUCG-664830-L	1291	66	48	30	5.42	49.56
R-WUCG-664830-R	1291	66	48	30	5.42	49.56
R-WUCG-665424-L	1376	66	54	24	5.42	49.26
R-WUCG-665424-R	1376	66	54	24	5.42	49.26
R-WUCG-665430-L	1406	66	54	30	5.42	51.96
R-WUCG-665430-R	1406	66	54	30	5.42	51.96

Code	Price	W (in)	Depth (in)	End (in)	Volume (ft <sup>3</sup> )	Weight (lb)
freestanding curved - continued						
R-WUCG-666024-L	1494	66	60	24	5.42	52.36
R-WUCG-666024-R	1494	66	60	24	5.42	52.36
R-WUCG-666030-L	1528	66	60	30	5.42	54.65
R-WUCG-666030-R	1528	66	60	30	5.42	54.65
R-WUCG-724824-L	1315	72	48	24	5.42	52.33
R-WUCG-724824-R	1315	72	48	24	5.42	52.33
R-WUCG-724830-L	1345	72	48	30	5.42	53.69
R-WUCG-724830-R	1345	72	48	30	5.42	53.69
R-WUCG-725424-L	1437	72	54	24	5.42	53.65
R-WUCG-725424-R	1437	72	54	24	5.42	53.65
R-WUCG-725430-L	1473	72	54	30	5.42	55.21
R-WUCG-725430-R	1473	72	54	30	5.42	55.21
R-WUCG-726024-L	1564	72	60	24	5.42	55.36
R-WUCG-726024-R	1564	72	60	24	5.42	55.36
R-WUCG-726030-L	1596	72	60	30	5.42	57.31
R-WUCG-726030-R	1596	72	60	30	5.42	57.31
R-WUCG-784824-L	1476	78	48	24	5.42	54.16
R-WUCG-784824-R	1476	78	48	24	5.42	54.16
R-WUCG-784830-L	1513	78	48	30	5.42	56.19
R-WUCG-784830-R	1513	78	48	30	5.42	56.19

Code	Price	W (in)	Depth (in)	End (in)	Volume (ft <sup>3</sup> )	Weight (lb)
freestanding curved - continued						
R-WUCG-785424-L	1612	78	54	24	5.42	56.61
R-WUCG-785424-R	1612	78	54	24	5.42	56.61
R-WUCG-785430-L	1649	78	54	30	5.42	58.17
R-WUCG-785430-R	1649	78	54	30	5.42	58.17
R-WUCG-786024-L	1751	78	60	24	5.42	57.96
R-WUCG-786024-R	1751	78	60	24	5.42	57.96
R-WUCG-786030-L	1788	78	60	30	5.42	58.62
R-WUCG-786030-R	1788	78	60	30	5.42	58.62
R-WUCG-844824-L	1619	84	48	24	5.42	56.16
R-WUCG-844824-R	1619	84	48	24	5.42	56.16
R-WUCG-844830-L	1654	84	48	30	5.42	58.32
R-WUCG-844830-R	1654	84	48	30	5.42	58.32
R-WUCG-845424-L	1770	84	54	24	5.42	58.6
R-WUCG-845424-R	1770	84	54	24	5.42	58.6
R-WUCG-845430-L	1805	84	54	30	5.42	59.63
R-WUCG-845430-R	1805	84	54	30	5.42	59.63
R-WUCG-846024-L	1923	84	60	24	5.42	59.99
R-WUCG-846024-R	1923	84	60	24	5.42	59.99
R-WUCG-846030-L	1955	84	60	30	5.42	61.34
R-WUCG-846030-R	1955	84	60	30	5.42	61.34

Code	Price	W (in)	Depth (in)	End (in)	Volume (ft <sup>3</sup> )	Weight (lb)
surface - freestanding 90 degree						
R-WUCG-604824-L	1133	60	48	24	5.42	46.03
R-WUCG-604824-R	1133	60	48	24	5.42	46.03
R-WUCG-604830-L	1163	60	48	30	5.42	48.13
R-WUCG-604830-R	1163	60	48	30	5.42	48.13
R-WUCG-605424-L	1244	60	54	24	5.42	47.06
R-WUCG-605424-R	1244	60	54	24	5.42	47.06
R-WUCG-605430-L	1274	60	54	30	5.42	49.32
R-WUCG-605430-R	1274	60	54	30	5.42	49.32
R-WUCG-664824-L	1256	66	48	24	5.42	48.13
R-WUCG-664824-R	1256	66	48	24	5.42	48.13
R-WUCG-664830-L	1291	66	48	30	5.42	49.56
R-WUCG-664830-R	1291	66	48	30	5.42	49.56
R-WUCG-665424-L	1376	66	54	24	5.42	49.26
R-WUCG-665424-R	1376	66	54	24	5.42	49.26
R-WUCG-665430-L	1406	66	54	30	5.42	51.96
R-WUCG-665430-R	1406	66	54	30	5.42	51.96
R-WUCG-666024-L	1494	66	60	24	5.42	52.36
R-WUCG-666024-R	1494	66	60	24	5.42	52.36
R-WUCG-666030-L	1528	66	60	30	5.42	54.65
R-WUCG-666030-R	1528	66	60	30	5.42	54.65
R-WUCG-724824-L	1315	72	48	24	5.42	52.33
R-WUCG-724824-R	1315	72	48	24	5.42	52.33
R-WUCG-724830-L	1345	72	48	30	5.42	53.69
R-WUCG-724830-R	1345	72	48	30	5.42	53.69
R-WUCG-725424-L	1437	72	54	24	5.42	53.65
R-WUCG-725424-R	1437	72	54	24	5.42	53.65
R-WUCG-725430-L	1473	72	54	30	5.42	55.21
R-WUCG-725430-R	1473	72	54	30	5.42	55.21

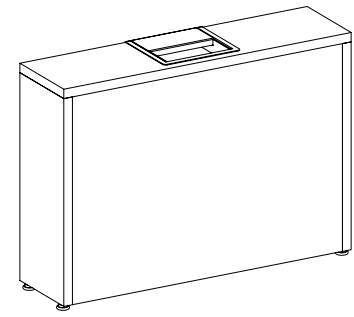
Code	Price	W (in)	Depth (in)	End (in)	Volume (ft <sup>3</sup> )	Weight (lb)
freestanding 90 degree - continued						
R-WUCG-726024-L	1564	72	60	24	5.42	55.36
R-WUCG-726024-R	1564	72	60	24	5.42	55.36
R-WUCG-726030-L	1596	72	60	30	5.42	57.31
R-WUCG-726030-R	1596	72	60	30	5.42	57.31
R-WUCG-784824-L	1476	78	48	24	5.42	54.16
R-WUCG-784824-R	1476	78	48	24	5.42	54.16
R-WUCG-784830-L	1513	78	48	30	5.42	56.19
R-WUCG-784830-R	1513	78	48	30	5.42	56.19
R-WUCG-785424-L	1612	78	54	24	5.42	56.61
R-WUCG-785424-R	1612	78	54	24	5.42	56.61
R-WUCG-785430-L	1649	78	54	30	5.42	58.17
R-WUCG-785430-R	1649	78	54	30	5.42	58.17
R-WUCG-786024-L	1751	78	60	24	5.42	57.96
R-WUCG-786024-R	1751	78	60	24	5.42	57.96
R-WUCG-786030-L	1788	78	60	30	5.42	58.62
R-WUCG-786030-R	1788	78	60	30	5.42	58.62
R-WUCG-844824-L	1619	84	48	24	5.42	56.16
R-WUCG-844824-R	1619	84	48	24	5.42	56.16
R-WUCG-844830-L	1654	84	48	30	5.42	58.32
R-WUCG-844830-R	1654	84	48	30	5.42	58.32
R-WUCG-845424-L	1770	84	54	24	5.42	58.6
R-WUCG-845424-R	1770	84	54	24	5.42	58.6
R-WUCG-845430-L	1805	84	54	30	5.42	59.63
R-WUCG-845430-R	1805	84	54	30	5.42	59.63
R-WUCG-846024-L	1923	84	60	24	5.42	59.99
R-WUCG-846024-R	1923	84	60	24	5.42	59.99
R-WUCG-846030-L	1955	84	60	30	5.42	61.34
R-WUCG-846030-R	1955	84	60	30	5.42	61.34

Code	Price	W (in)	Depth (in)	End (in)	Volume (ft <sup>3</sup> )	Weight (lb)
integrated curved						
R-WUCG-584623-L	1133	58	46	23	5.42	46
R-WUCG-584623-R	1133	58	46	23	5.42	46
R-WUCG-584629-L	1163	58	46	29	5.42	48.1
R-WUCG-584629-R	1163	58	46	29	5.42	48.1
R-WUCG-585223-L	1244	58	52	23	5.42	47.03
R-WUCG-585223-R	1244	58	52	23	5.42	47.03
R-WUCG-585229-L	1274	58	52	29	5.42	49.3
R-WUCG-585229-R	1274	58	52	29	5.42	49.3
R-WUCG-644623-L	1256	64	46	23	5.42	48
R-WUCG-644623-R	1256	64	46	23	5.42	48
R-WUCG-644629-L	1291	64	46	29	5.42	48.92
R-WUCG-644629-R	1291	64	46	29	5.42	48.92
R-WUCG-645223-L	1376	64	52	23	5.42	49.23
R-WUCG-645223-R	1376	64	52	23	5.42	49.23
R-WUCG-645229-L	1406	64	52	29	5.42	51.93
R-WUCG-645229-R	1406	64	52	29	5.42	51.93
R-WUCG-645823-L	1494	64	58	23	5.42	52.33
R-WUCG-645823-R	1494	64	58	23	5.42	52.33
R-WUCG-645829-L	1528	64	58	29	5.42	54.62
R-WUCG-645829-R	1528	64	58	29	5.42	54.62
R-WUCG-704623-L	1315	70	46	23	5.42	52.3
R-WUCG-704623-R	1315	70	46	23	5.42	52.3
R-WUCG-704629-L	1345	70	46	29	5.42	53.66
R-WUCG-704629-R	1345	70	46	29	5.42	53.66
R-WUCG-705223-L	1437	70	52	23	5.42	53.62
R-WUCG-705223-R	1437	70	52	23	5.42	53.62
R-WUCG-705229-L	1473	70	52	29	5.42	55.18
R-WUCG-705229-R	1473	70	52	29	5.42	55.18

Code	Price	W (in)	Depth (in)	End (in)	Volume (ft <sup>3</sup> )	Weight (lb)
integrated curved - continued						
R-WUCG-705823-L	1564	70	58	23	5.42	55.33
R-WUCG-705823-R	1564	70	58	23	5.42	55.33
R-WUCG-705829-L	1596	70	58	29	5.42	57.28
R-WUCG-705829-R	1596	70	58	29	5.42	57.28
R-WUCG-764623-L	1476	76	46	23	5.42	54.13
R-WUCG-764623-R	1476	76	46	23	5.42	54.13
R-WUCG-764629-L	1513	76	46	29	5.42	56.16
R-WUCG-764629-R	1513	76	46	29	5.42	56.16
R-WUCG-765223-L	1612	76	52	23	5.42	56.58
R-WUCG-765223-R	1612	76	52	23	5.42	56.58
R-WUCG-765229-L	1649	76	52	29	5.42	57.14
R-WUCG-765229-R	1649	76	52	29	5.42	57.14
R-WUCG-765823-L	1751	76	58	23	5.42	57.93
R-WUCG-765823-R	1751	76	58	23	5.42	57.93
R-WUCG-765829-L	1788	76	58	29	5.42	58.59
R-WUCG-765829-R	1788	76	58	29	5.42	58.59
R-WUCG-824623-L	1619	82	46	23	5.42	56.13
R-WUCG-824623-R	1619	82	46	23	5.42	56.13
R-WUCG-824629-L	1654	82	46	29	5.42	58.28
R-WUCG-824629-R	1654	82	46	29	5.42	58.28
R-WUCG-825223-L	1770	82	52	23	5.42	58.57
R-WUCG-825223-R	1770	82	52	23	5.42	58.57
R-WUCG-825229-L	1805	82	52	29	5.42	59.6
R-WUCG-825229-R	1805	82	52	29	5.42	59.6
R-WUCG-825823-L	1923	82	58	23	5.42	59.96
R-WUCG-825823-R	1923	82	58	23	5.42	59.96
R-WUCG-825829-L	1955	82	58	29	5.42	61.31
R-WUCG-825829-R	1955	82	58	29	5.42	61.31

Code	Price	W (in)	Depth (in)	End (in)	Volume (ft <sup>3</sup> )	Weight (lb)
integrated 90 degree						
R-WUNG-584623-L	1187	60	48	24	5.42	46.03
R-WUNG-584623-R	1187	60	48	24	5.42	46.03
R-WUNG-585223-L	1303	60	48	30	5.42	48.13
R-WUNG-585223-R	1303	60	48	30	5.42	48.13
R-WUNG-585229-L	1340	60	54	24	5.42	47.06
R-WUNG-585229-R	1340	60	54	24	5.42	47.06
R-WUNG-644623-L	1317	60	54	30	5.42	49.32
R-WUNG-644623-R	1317	60	54	30	5.42	49.32
R-WUNG-645223-L	1444	66	48	24	5.42	48.13
R-WUNG-645223-R	1444	66	48	24	5.42	48.13
R-WUNG-645229-L	1476	66	48	30	5.42	49.56
R-WUNG-645229-R	1476	66	48	30	5.42	49.56
R-WUNG-645823-L	1567	66	54	24	5.42	49.26
R-WUNG-645823-R	1567	66	54	24	5.42	49.26
R-WUNG-645829-L	1603	66	54	30	5.42	51.96
R-WUNG-645829-R	1603	66	54	30	5.42	51.96
R-WUNG-704623-L	1379	66	60	24	5.42	52.36
R-WUNG-704623-R	1379	66	60	24	5.42	52.36
R-WUNG-705223-L	1505	66	60	30	5.42	54.65
R-WUNG-705223-R	1505	66	60	30	5.42	54.65
R-WUNG-705229-L	1545	72	48	24	5.42	52.33
R-WUNG-705229-R	1545	72	48	24	5.42	52.33
R-WUNG-705823-L	1638	72	48	30	5.42	53.69
R-WUNG-705823-R	1638	72	48	30	5.42	53.69
R-WUNG-705829-L	1674	72	54	24	5.42	53.65
R-WUNG-705829-R	1674	72	54	24	5.42	53.65
R-WUNG-764623-L	1550	72	54	30	5.42	55.21
R-WUNG-764623-R	1550	72	54	30	5.42	55.21

Code	Price	W (in)	Depth (in)	End (in)	Volume (ft <sup>3</sup> )	Weight (lb)
integrated 90 degree - continued						
R-WUNG-765223-L	1691	72	60	24	5.42	55.36
R-WUNG-765223-R	1691	72	60	24	5.42	55.36
R-WUNG-765229-L	1731	72	60	30	5.42	57.31
R-WUNG-765229-R	1731	72	60	30	5.42	57.31
R-WUNG-765823-L	1837	78	48	24	5.42	54.16
R-WUNG-765823-R	1837	78	48	24	5.42	54.16
R-WUNG-765829-L	1873	78	48	30	5.42	56.19
R-WUNG-765829-R	1873	78	48	30	5.42	56.19
R-WUNG-824623-L	1697	78	54	24	5.42	56.61
R-WUNG-824623-R	1697	78	54	24	5.42	56.61
R-WUNG-825223-L	1856	78	54	30	5.42	58.17
R-WUNG-825223-R	1856	78	54	30	5.42	58.17
R-WUNG-825229-L	1894	78	60	24	5.42	57.96
R-WUNG-825229-R	1894	78	60	24	5.42	57.96
R-WUNG-825823-L	2017	78	60	30	5.42	58.62
R-WUNG-825823-R	2017	78	60	30	5.42	58.62
R-WUNG-825829-L	2050	84	48	24	5.42	56.16
R-WUNG-825829-R	2050	84	48	24	5.42	56.16



Height Adjustable Table Enclosure Box

**What's Included:**

HAT enclosure box

**How to Specify:**

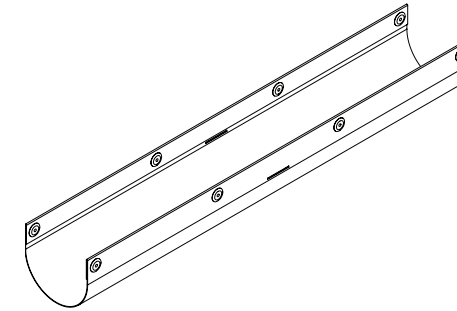
Laminate comes with automatically matching vinyl trim unless otherwise specified.

**Options:**

Depth 25.5", 30"

Enclosure laminate color

Code	Price	H (in)	W (in)	D (in)
R-HBOX-180725	1054	18.25	6.75	25.5
R-HBOX-180730	1057	18.25	6.75	30



Flex Cable Organizer

**What's Included:**

Flex Cable organizer

**How to Specify:**

This accessory is available in grey only.

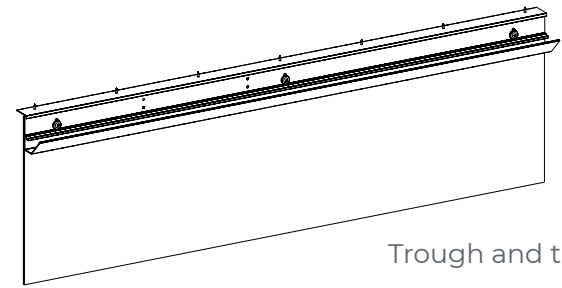
**Options:**

Depth 10"

**Notes:**

- Designed to fit the Volley height adjustable table frame.
- Attaches to frame using magnets. Can also be attached to underside of worksurface using screws.
- Height under worksurface is 5" after installation.
- Made from flexible woven seam welded plastic.
- Includes 2" opening midway on both sides for cable access

Code	Price	W (in)	D (in)
V-EWMM-3610	106	36	10



Trough and trough mounted modesty

**What's Included:**

Trough and trough mounted modesty for Volley height adjustable table

**How to Specify:**

Modesty can be specified in frosted acrylic or laminate.

Laminate modesty will default to match the worksurface color unless otherwise specified.

**Notes:**

Modesty size is adjusted to incorporate Volley height adjustable table enclosures

**Options:**

Width 46", 52", 58", 64", 70"

Modesty frosted acrylic or laminate color

Code	Price	H (in)	W (in)
<b>Laminate Modesty</b>			
R-HMOD-6021	651	21	46
R-HMOD-6621	664	21	52
R-HMOD-7221	713	21	58
R-HMOD-7821	767	21	64
R-HMOD-8421	782	21	70
<b>Frosted Acrylic Modesty</b>			
R-HMOD-6021-F	989	21	46
R-HMOD-6621-F	1097	21	52
R-HMOD-7221-F	1130	21	58
R-HMOD-7821-F	1385	21	64
R-HMOD-8421-F	1390	21	70



Tables Pricebook  
January 2026  
**Norris Tables**

Norris tables

<u>super ellipse without power and data</u>	30
<u>super ellipse with power and data</u>	32
<u>video without power and data</u>	34
<u>video with power and data</u>	36
<u>boat without power and data</u>	38
<u>boat with power and data</u>	40
<u>straight without power and data</u>	42
<u>straight with power and data</u>	44
<u>options</u>	46
<u>add-on Kits</u>	47



**What's Included:**

- Steel bridge under structure.
- 1.5" thick laminate top plinth + gable covers.
- Two metal gables with removable laminate covers for wire management.
- Under bridge cover conceals all wires.
- Sizes 108" and 240" come with a horizontal plinth with fixed laminate covers + removable metal insert.

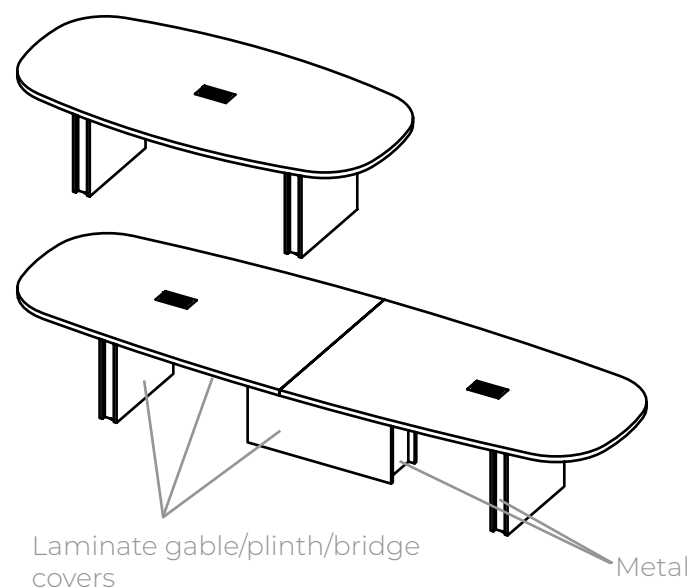
**How to Specify:**

- Laminate comes with automatically matching vinyl trim unless otherwise specified.
- Metal accent color.
- Plinth laminates and gable covers can match or contrast the chosen top color.
- Metal Gables, bridge, and plinth side covers are painted in matching powder paint color.

**Options:**

Width	72", 84", 96", 108", 120", 132", 144", 156", 168", 180", 192", 204", 216", 228", 240"
Depth	36", 42", 48", 60"
Worksurface Laminate Color	
Gable + Plinth	Laminate Color
Metal Accent Color	

Code	Price	Height (in)	Width (in)	Depth (in)	Volume (ft <sup>3</sup> )	Weight (lb)
R-BE1N-7236	3091	29.5	72	36	5.04	72.58
R-BE1N-8436	3309	29.5	84	36	5.88	84.67
R-BE1N-9636	3478	29.5	96	36	6.72	96.77
R-BE1N-7242	3437	29.5	72	42	5.88	84.67
R-BE1N-8442	3609	29.5	84	42	6.86	98.78
R-BE1N-9642	3786	29.5	96	42	7.84	112.9
R-BE1N-10842	3969	29.5	108	42	8.82	127.01
R-BE1N-12042	4153	29.5	120	42	9.8	141.12
R-BE1N-8448	3828	29.5	84	48	7.84	112.9
R-BE1N-9648	3960	29.5	96	48	8.96	129.02
R-BE1N-10848	5366	29.5	108	48	10.08	145.15
R-BE1N-12048	5603	29.5	120	48	11.2	161.28
R-BE1N-13248	6174	29.5	132	48	12.32	177.41
R-BE1N-14448	6428	29.5	144	48	13.44	193.54
R-BE1N-15648	6680	29.5	156	48	14.56	209.66
R-BE1N-16848	7233	29.5	168	48	15.68	225.79
R-BE1N-18048	7334	29.5	180	48	16.8	241.92
R-BE1N-19248	7432	29.5	192	48	17.92	258.05
R-BE1N-20448	9309	29.5	204	48	19.04	274.18
R-BE1N-21648	9575	29.5	216	48	20.16	290.3
R-BE1N-22848	9838	29.5	228	48	21.28	306.43
R-BE1N-24048	10386	29.5	240	48	22.4	322.56
R-BE1N-10860	6448	29.5	108	60	12.6	181.44
R-BE1N-12060	6734	29.5	120	60	14	201.6
R-BE1N-13260	7023	29.5	132	60	15.4	221.76
R-BE1N-14460	7318	29.5	144	60	16.8	241.92
R-BE1N-15660	7610	29.5	156	60	18.2	262.08
R-BE1N-16860	7894	29.5	168	60	19.6	282.24
R-BE1N-18060	8191	29.5	180	60	21	302.4
R-BE1N-19260	8476	29.5	192	60	22.4	322.56
R-BE1N-20460	10487	29.5	204	60	23.8	342.72
R-BE1N-21660	10791	29.5	216	60	25.2	362.88
R-BE1N-22860	11089	29.5	228	60	26.6	383.04
R-BE1N-24060	11382	29.5	240	60	28	403.2



**What's Included:**

- Steel bridge under structure.
- 1.5" thick laminate top plinth + gable covers.
- Two metal gables with removable laminate covers for wire management.
- Under bridge cover conceals all wires.
- Sizes 108" and 240" come with a horizontal plinth with fixed laminate covers + removable metal insert.

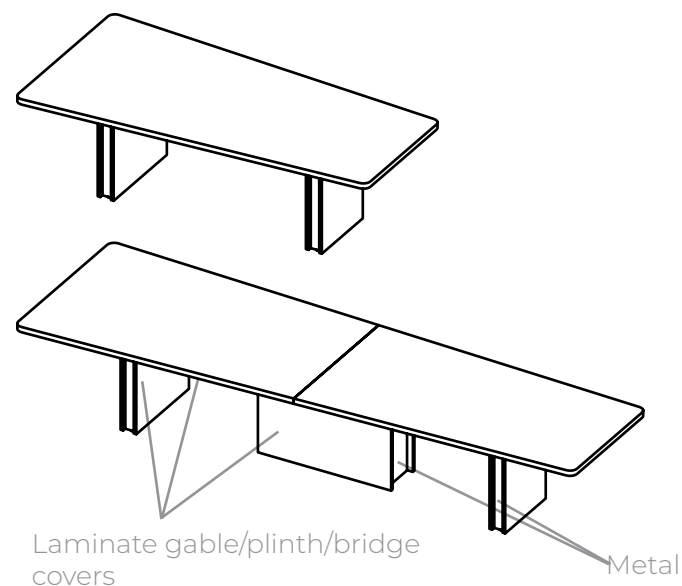
**How to Specify:**

- Laminate comes with automatically matching vinyl trim unless otherwise specified.
- Metal accent color.
- Plinth laminates and gable covers can match or contrast the chosen top color.
- Metal Gables, bridge, and plinth side covers are painted in matching powder paint color.

**Options:**

Width	72", 84", 96", 108", 120", 132", 144", 156", 168", 180", 192", 204", 216", 228", 240"
Depth	36", 42", 48", 60"
Worksurface Laminate Color	
Gable + Plinth Laminate Color	
Metal Accent Color	

Code	Price	Height (in)	Width (in)	Depth (in)	Volume (ft <sup>3</sup> )	Weight (lb)
R-BE1E-7236	4621	29.5	72	36	5.04	72.58
R-BE1E-8436	4839	29.5	84	36	5.88	84.67
R-BE1E-9636	5009	29.5	96	36	6.72	96.77
R-BE1E-7242	4966	29.5	72	42	5.88	84.67
R-BE1E-8442	5138	29.5	84	42	6.86	98.78
R-BE1E-9642	5316	29.5	96	42	7.84	112.9
R-BE1E-10842	5497	29.5	108	42	8.82	127.01
R-BE1E-12042	5684	29.5	120	42	9.8	141.12
R-BE1E-8448	5360	29.5	84	48	7.84	112.9
R-BE1E-9648	5493	29.5	96	48	8.96	129.02
R-BE1E-10848	8426	29.5	108	48	10.08	145.15
R-BE1E-12048	8663	29.5	120	48	11.2	161.28
R-BE1E-13248	9405	29.5	132	48	12.32	177.41
R-BE1E-14448	9661	29.5	144	48	13.44	193.54
R-BE1E-15648	9910	29.5	156	48	14.56	209.66
R-BE1E-16848	10465	29.5	168	48	15.68	225.79
R-BE1E-18048	10566	29.5	180	48	16.8	241.92
R-BE1E-19248	10663	29.5	192	48	17.92	258.05
R-BE1E-20448	13990	29.5	204	48	19.04	274.18
R-BE1E-21648	14146	29.5	216	48	20.16	290.3
R-BE1E-22848	14474	29.5	228	48	21.28	306.43
R-BE1E-24048	15092	29.5	240	48	22.4	322.56
R-BE1E-10860	9682	29.5	108	60	12.6	181.44
R-BE1E-12060	9968	29.5	120	60	14	201.6
R-BE1E-13260	10256	29.5	132	60	15.4	221.76
R-BE1E-14460	10552	29.5	144	60	16.8	241.92
R-BE1E-15660	10841	29.5	156	60	18.2	262.08
R-BE1E-16860	11129	29.5	168	60	19.6	282.24
R-BE1E-18060	11421	29.5	180	60	21	302.4
R-BE1E-19260	11712	29.5	192	60	22.4	322.56
R-BE1E-20460	15210	29.5	204	60	23.8	342.72
R-BE1E-21660	15397	29.5	216	60	25.2	362.88
R-BE1E-22860	15762	29.5	228	60	26.6	383.04
R-BE1E-24060	16128	29.5	240	60	28	403.2



**What's Included:**

- Steel bridge under structure.
- 1.5" thick laminate top plinth + gable covers.
- Two metal gables with removable laminate covers for wire management.
- Under bridge cover conceals all wires.
- Sizes 108" and 240" come with a horizontal plinth with fixed laminate covers + removable metal insert.

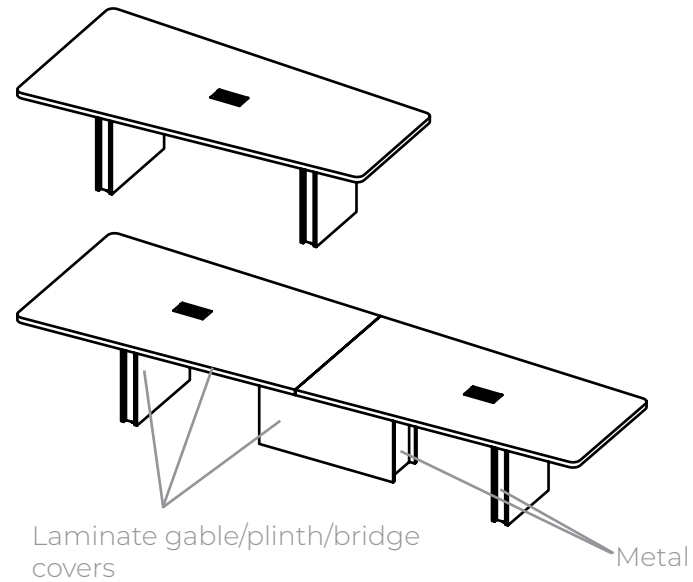
**How to Specify:**

- Laminate comes with automatically matching vinyl trim unless otherwise specified.
- Metal accent color.
- Plinth laminates and gable covers can match or contrast the chosen top color.
- Metal Gables, bridge, and plinth side covers are painted in matching powder paint color.

**Options:**

Width	72", 84", 96", 108", 120", 132", 144", 156", 168", 180", 192", 204", 216", 228", 240"
Depth	36", 42", 48", 60"
Worksurface Laminate Color	
Gable + Plinth Laminate Color	
Metal Accent Color	

Code	Price	Height (in)	Width (in)	Depth (in)	Volume (ft <sup>3</sup> )	Weight (lb)
R-BV1N-7236	3091	29.5	72	36	5.04	72.58
R-BV1N-8436	3309	29.5	84	36	5.88	84.67
R-BV1N-9636	3478	29.5	96	36	6.72	96.77
R-BV1N-7242	3437	29.5	72	42	5.88	84.67
R-BV1N-8442	3609	29.5	84	42	6.86	98.78
R-BV1N-9642	3786	29.5	96	42	7.84	112.9
R-BV1N-10842	3969	29.5	108	42	8.82	127.01
R-BV1N-12042	4153	29.5	120	42	9.8	141.12
R-BV1N-8448	3828	29.5	84	48	7.84	112.9
R-BV1N-9648	3960	29.5	96	48	8.96	129.02
R-BV1N-10848	5366	29.5	108	48	10.08	145.15
R-BV1N-12048	5603	29.5	120	48	11.2	161.28
R-BV1N-13248	6174	29.5	132	48	12.32	177.41
R-BV1N-14448	6428	29.5	144	48	13.44	193.54
R-BV1N-15648	6680	29.5	156	48	14.56	209.66
R-BV1N-16848	7233	29.5	168	48	15.68	225.79
R-BV1N-18048	7334	29.5	180	48	16.8	241.92
R-BV1N-19248	7432	29.5	192	48	17.92	258.05
R-BV1N-20448	9309	29.5	204	48	19.04	274.18
R-BV1N-21648	9575	29.5	216	48	20.16	290.3
R-BV1N-22848	9838	29.5	228	48	21.28	306.43
R-BV1N-24048	10386	29.5	240	48	22.4	322.56
R-BV1N-10860	6448	29.5	108	60	12.6	181.44
R-BV1N-12060	6734	29.5	120	60	14	201.6
R-BV1N-13260	7023	29.5	132	60	15.4	221.76
R-BV1N-14460	7318	29.5	144	60	16.8	241.92
R-BV1N-15660	7610	29.5	156	60	18.2	262.08
R-BV1N-16860	7894	29.5	168	60	19.6	282.24
R-BV1N-18060	8191	29.5	180	60	21	302.4
R-BV1N-19260	8476	29.5	192	60	22.4	322.56
R-BV1N-20460	10487	29.5	204	60	23.8	342.72
R-BV1N-21660	10791	29.5	216	60	25.2	362.88
R-BV1N-22860	11089	29.5	228	60	26.6	383.04
R-BV1N-24060	11382	29.5	240	60	28	403.2



**What's Included:**

- Steel bridge under structure.
- 1.5" thick laminate top plinth + gable covers.
- Two metal gables with removable laminate covers for wire management.
- Under bridge cover conceals all wires.
- Sizes 108" and 240" come with a horizontal plinth with fixed laminate covers + removable metal insert.

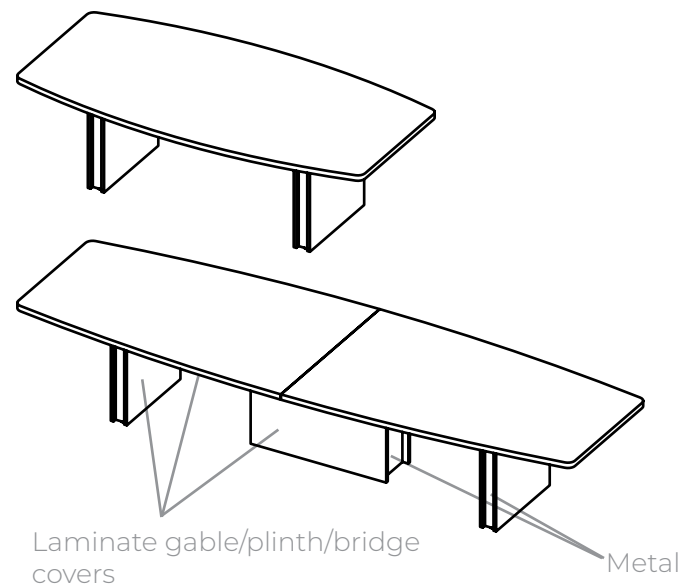
**How to Specify:**

- Laminate comes with automatically matching vinyl trim unless otherwise specified.
- Metal accent color.
- Plinth laminates and gable covers can match or contrast the chosen top color.
- Metal Gables, bridge, and plinth side covers are painted in matching powder paint color.

**Options:**

Width	72", 84", 96", 108", 120", 132", 144", 156", 168", 180", 192", 204", 216", 228", 240"
Depth	36", 42", 48", 60"
Worksurface Laminate Color	
Gable + Plinth Laminate Color	
Metal Accent Color	

Code	Price	Height (in)	Width (in)	Depth (in)	Volume (ft <sup>3</sup> )	Weight (lb)
R-BV1E-7236	4621	29.5	72	36	5.04	72.58
R-BV1E-8436	4839	29.5	84	36	5.88	84.67
R-BV1E-9636	5009	29.5	96	36	6.72	96.77
R-BV1E-7242	4966	29.5	72	42	5.88	84.67
R-BV1E-8442	5138	29.5	84	42	6.86	98.78
R-BV1E-9642	5316	29.5	96	42	7.84	112.9
R-BV1E-10842	5497	29.5	108	42	8.82	127.01
R-BV1E-12042	5684	29.5	120	42	9.8	141.12
R-BV1E-8448	5360	29.5	84	48	7.84	112.9
R-BV1E-9648	5493	29.5	96	48	8.96	129.02
R-BV1E-10848	8426	29.5	108	48	10.08	145.15
R-BV1E-12048	8663	29.5	120	48	11.2	161.28
R-BV1E-13248	9405	29.5	132	48	12.32	177.41
R-BV1E-14448	9661	29.5	144	48	13.44	193.54
R-BV1E-15648	9910	29.5	156	48	14.56	209.66
R-BV1E-16848	10465	29.5	168	48	15.68	225.79
R-BV1E-18048	10566	29.5	180	48	16.8	241.92
R-BV1E-19248	10663	29.5	192	48	17.92	258.05
R-BV1E-20448	13990	29.5	204	48	19.04	274.18
R-BV1E-21648	14146	29.5	216	48	20.16	290.3
R-BV1E-22848	14474	29.5	228	48	21.28	306.43
R-BV1E-24048	15092	29.5	240	48	22.4	322.56
R-BV1E-10860	9682	29.5	108	60	12.6	181.44
R-BV1E-12060	9968	29.5	120	60	14	201.6
R-BV1E-13260	10256	29.5	132	60	15.4	221.76
R-BV1E-14460	10552	29.5	144	60	16.8	241.92
R-BV1E-15660	10841	29.5	156	60	18.2	262.08
R-BV1E-16860	11129	29.5	168	60	19.6	282.24
R-BV1E-18060	11421	29.5	180	60	21	302.4
R-BV1E-19260	11712	29.5	192	60	22.4	322.56
R-BV1E-20460	15210	29.5	204	60	23.8	342.72
R-BV1E-21660	15397	29.5	216	60	25.2	362.88
R-BV1E-22860	15762	29.5	228	60	26.6	383.04
R-BV1E-24060	16128	29.5	240	60	28	403.2



**What's Included:**

- Steel bridge under structure.
- 1.5" thick laminate top plinth + gable covers.
- Two metal gables with removable laminate covers for wire management.
- Under bridge cover conceals all wires.
- Sizes 108" and 240" come with a horizontal plinth with fixed laminate covers + removable metal insert.

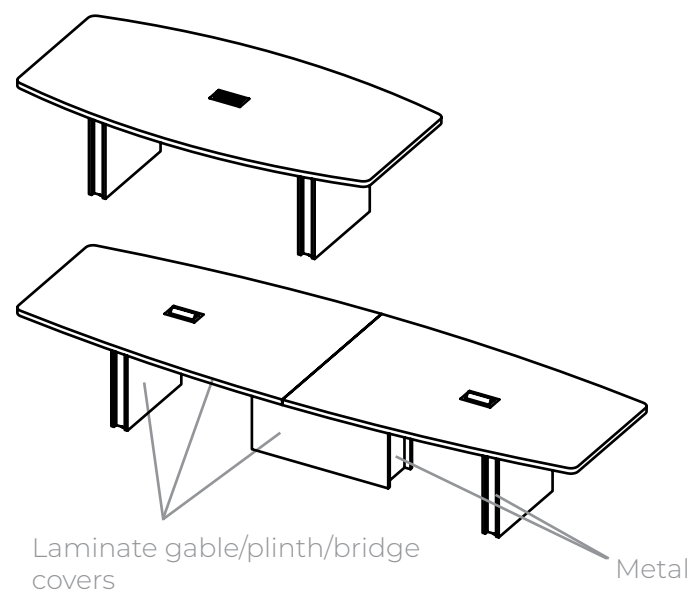
**How to Specify:**

- Laminate comes with automatically matching vinyl trim unless otherwise specified.
- Metal accent color.
- Plinth laminates and gable covers can match or contrast the chosen top color.
- Metal Gables, bridge, and plinth side covers are painted in matching powder paint color.

**Options:**

Width	72", 84", 96", 108", 120", 132", 144", 156", 168", 180", 192", 204", 216", 228", 240"
Depth	36", 42", 48", 60"
Worksurface Laminate Color	
Gable + Plinth Laminate Color	
Metal Accent Color	

Code	Price	Height (in)	Width (in)	Depth (in)	Volume (ft <sup>3</sup> )	Weight (lb)
R-BB1N-7236	3091	29.5	72	36	5.04	72.58
R-BB1N-8436	3309	29.5	84	36	5.88	84.67
R-BB1N-9636	3478	29.5	96	36	6.72	96.77
R-BB1N-7242	3437	29.5	72	42	5.88	84.67
R-BB1N-8442	3609	29.5	84	42	6.86	98.78
R-BB1N-9642	3786	29.5	96	42	7.84	112.9
R-BB1N-10842	3969	29.5	108	42	8.82	127.01
R-BB1N-12042	4153	29.5	120	42	9.8	141.12
R-BB1N-8448	3828	29.5	84	48	7.84	112.9
R-BB1N-9648	3960	29.5	96	48	8.96	129.02
R-BB1N-10848	5366	29.5	108	48	10.08	145.15
R-BB1N-12048	5603	29.5	120	48	11.2	161.28
R-BB1N-13248	6174	29.5	132	48	12.32	177.41
R-BB1N-14448	6428	29.5	144	48	13.44	193.54
R-BB1N-15648	6680	29.5	156	48	14.56	209.66
R-BB1N-16848	7233	29.5	168	48	15.68	225.79
R-BB1N-18048	7334	29.5	180	48	16.8	241.92
R-BB1N-19248	7432	29.5	192	48	17.92	258.05
R-BB1N-20448	9309	29.5	204	48	19.04	274.18
R-BB1N-21648	9575	29.5	216	48	20.16	290.3
R-BB1N-22848	9838	29.5	228	48	21.28	306.43
R-BB1N-24048	10386	29.5	240	48	22.4	322.56
R-BB1N-10860	6448	29.5	108	60	12.6	181.44
R-BB1N-12060	6734	29.5	120	60	14	201.6
R-BB1N-13260	7023	29.5	132	60	15.4	221.76
R-BB1N-14460	7318	29.5	144	60	16.8	241.92
R-BB1N-15660	7610	29.5	156	60	18.2	262.08
R-BB1N-16860	7894	29.5	168	60	19.6	282.24
R-BB1N-18060	8191	29.5	180	60	21	302.4
R-BB1N-19260	8476	29.5	192	60	22.4	322.56
R-BB1N-20460	10487	29.5	204	60	23.8	342.72
R-BB1N-21660	10791	29.5	216	60	25.2	362.88
R-BB1N-22860	11089	29.5	228	60	26.6	383.04
R-BB1N-24060	11382	29.5	240	60	28	403.2



**What's Included:**

- Steel bridge under structure.
- 1.5" thick laminate top plinth + gable covers.
- Two metal gables with removable laminate covers for wire management.
- Under bridge cover conceals all wires.
- Sizes 108" and 240" come with a horizontal plinth with fixed laminate covers + removable metal insert.

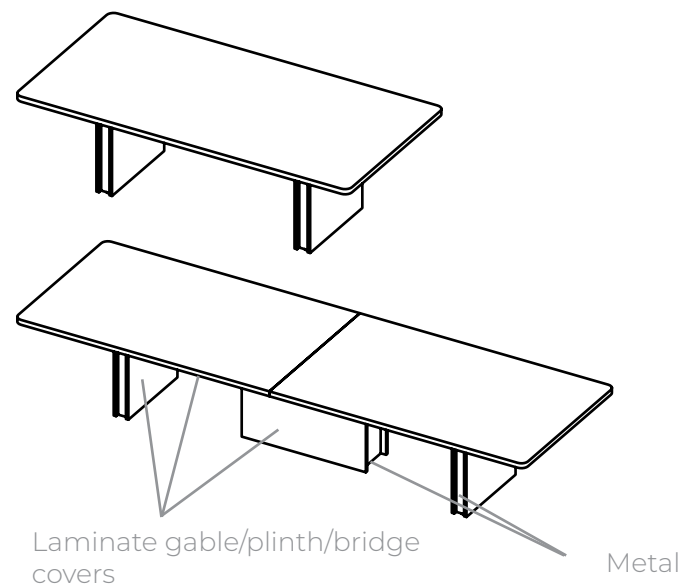
**How to Specify:**

- Laminate comes with automatically matching vinyl trim unless otherwise specified.
- Metal accent color.
- Plinth laminates and gable covers can match or contrast the chosen top color.
- Metal Gables, bridge, and plinth side covers are painted in matching powder paint color.

**Options:**

Width	72", 84", 96", 108", 120", 132", 144", 156", 168", 180", 192", 204", 216", 228", 240"
Depth	36", 42", 48", 60"
Worksurface Laminate Color	
Gable + Plinth Laminate Color	
Metal Accent Color	

Code	Price	Height (in)	Width (in)	Depth (in)	Volume (ft <sup>3</sup> )	Weight (lb)
R-BB1E-7236	4621	29.5	72	36	5.04	72.58
R-BB1E-8436	4839	29.5	84	36	5.88	84.67
R-BB1E-9636	5009	29.5	96	36	6.72	96.77
R-BB1E-7242	4966	29.5	72	42	5.88	84.67
R-BB1E-8442	5138	29.5	84	42	6.86	98.78
R-BB1E-9642	5316	29.5	96	42	7.84	112.9
R-BB1E-10842	5497	29.5	108	42	8.82	127.01
R-BB1E-12042	5684	29.5	120	42	9.8	141.12
R-BB1E-8448	5360	29.5	84	48	7.84	112.9
R-BB1E-9648	5493	29.5	96	48	8.96	129.02
R-BB1E-10848	8426	29.5	108	48	10.08	145.15
R-BB1E-12048	8663	29.5	120	48	11.2	161.28
R-BB1E-13248	9405	29.5	132	48	12.32	177.41
R-BB1E-14448	9661	29.5	144	48	13.44	193.54
R-BB1E-15648	9910	29.5	156	48	14.56	209.66
R-BB1E-16848	10465	29.5	168	48	15.68	225.79
R-BB1E-18048	10566	29.5	180	48	16.8	241.92
R-BB1E-19248	10663	29.5	192	48	17.92	258.05
R-BB1E-20448	13990	29.5	204	48	19.04	274.18
R-BB1E-21648	14146	29.5	216	48	20.16	290.3
R-BB1E-22848	14474	29.5	228	48	21.28	306.43
R-BB1E-24048	15092	29.5	240	48	22.4	322.56
R-BB1E-10860	9682	29.5	108	60	12.6	181.44
R-BB1E-12060	9968	29.5	120	60	14	201.6
R-BB1E-13260	10256	29.5	132	60	15.4	221.76
R-BB1E-14460	10552	29.5	144	60	16.8	241.92
R-BB1E-15660	10841	29.5	156	60	18.2	262.08
R-BB1E-16860	11129	29.5	168	60	19.6	282.24
R-BB1E-18060	11421	29.5	180	60	21	302.4
R-BB1E-19260	11712	29.5	192	60	22.4	322.56
R-BB1E-20460	15210	29.5	204	60	23.8	342.72
R-BB1E-21660	15397	29.5	216	60	25.2	362.88
R-BB1E-22860	15762	29.5	228	60	26.6	383.04
R-BB1E-24060	16128	29.5	240	60	28	403.2



**What's Included:**

- Steel bridge under structure.
- 1.5" thick laminate top plinth + gable covers.
- Two metal gables with removable laminate covers for wire management.
- Under bridge cover conceals all wires.
- Sizes 108" and 240" come with a horizontal plinth with fixed laminate covers + removable metal insert.

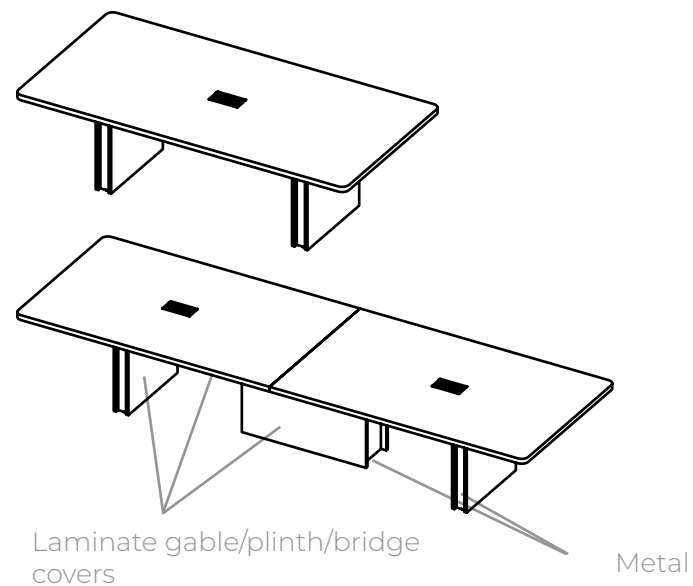
**How to Specify:**

- Laminate comes with automatically matching vinyl trim unless otherwise specified.
- Metal accent color.
- Plinth laminates and gable covers can match or contrast the chosen top color.
- Metal Gables, bridge, and plinth side covers are painted in matching powder paint color.

**Options:**

Width	72", 84", 96", 108", 120", 132", 144", 156", 168", 180", 192", 204", 216", 228", 240"
Depth	36", 42", 48", 60"
Worksurface Laminate Color	
Gable + Plinth Laminate Color	
Metal Accent Color	

Code	Price	Height (in)	Width (in)	Depth (in)	Volume (ft <sup>3</sup> )	Weight (lb)
R-BS1N-7236	3091	29.5	72	36	5.04	72.58
R-BS1N-8436	3309	29.5	84	36	5.88	84.67
R-BS1N-9636	3478	29.5	96	36	6.72	96.77
R-BS1N-7242	3437	29.5	72	42	5.88	84.67
R-BS1N-8442	3609	29.5	84	42	6.86	98.78
R-BS1N-9642	3786	29.5	96	42	7.84	112.9
R-BS1N-10842	3969	29.5	108	42	8.82	127.01
R-BS1N-12042	4153	29.5	120	42	9.8	141.12
R-BS1N-8448	3828	29.5	84	48	7.84	112.9
R-BS1N-9648	3960	29.5	96	48	8.96	129.02
R-BS1N-10848	5366	29.5	108	48	10.08	145.15
R-BS1N-12048	5603	29.5	120	48	11.2	161.28
R-BS1N-13248	6174	29.5	132	48	12.32	177.41
R-BS1N-14448	6428	29.5	144	48	13.44	193.54
R-BS1N-15648	6680	29.5	156	48	14.56	209.66
R-BS1N-16848	7233	29.5	168	48	15.68	225.79
R-BS1N-18048	7334	29.5	180	48	16.8	241.92
R-BS1N-19248	7432	29.5	192	48	17.92	258.05
R-BS1N-20448	9309	29.5	204	48	19.04	274.18
R-BS1N-21648	9575	29.5	216	48	20.16	290.3
R-BS1N-22848	9838	29.5	228	48	21.28	306.43
R-BS1N-24048	10386	29.5	240	48	22.4	322.56
R-BS1N-10860	6448	29.5	108	60	12.6	181.44
R-BS1N-12060	6734	29.5	120	60	14	201.6
R-BS1N-13260	7023	29.5	132	60	15.4	221.76
R-BS1N-14460	7318	29.5	144	60	16.8	241.92
R-BS1N-15660	7610	29.5	156	60	18.2	262.08
R-BS1N-16860	7894	29.5	168	60	19.6	282.24
R-BS1N-18060	8191	29.5	180	60	21	302.4
R-BS1N-19260	8476	29.5	192	60	22.4	322.56
R-BS1N-20460	10487	29.5	204	60	23.8	342.72
R-BS1N-21660	10791	29.5	216	60	25.2	362.88
R-BS1N-22860	11089	29.5	228	60	26.6	383.04
R-BS1N-24060	11382	29.5	240	60	28	403.2



**What's Included:**

- Steel bridge under structure.
- 1.5" thick laminate top plinth + gable covers.
- Two metal gables with removable laminate covers for wire management.
- Under bridge cover conceals all wires.
- Sizes 108" and 240" come with a horizontal plinth with fixed laminate covers + removable metal insert.

**How to Specify:**

- Laminate comes with automatically matching vinyl trim unless otherwise specified.
- Metal accent color.
- Plinth laminates and gable covers can match or contrast the chosen top color.
- Metal Gables, bridge, and plinth side covers are painted in matching powder paint color.

**Options:**

Width	72", 84", 96", 108", 120", 132", 144", 156", 168", 180", 192", 204", 216", 228", 240"
Depth	36", 42", 48", 60"
Worksurface Laminate Color	
Gable + Plinth Laminate Color	
Metal Accent Color	

Code	Price	Height (in)	Width (in)	Depth (in)	Volume (ft <sup>3</sup> )	Weight (lb)
R-BS1E-7236	4621	29.5	72	36	5.04	72.58
R-BS1E-8436	4839	29.5	84	36	5.88	84.67
R-BS1E-9636	5009	29.5	96	36	6.72	96.77
R-BS1E-7242	4966	29.5	72	42	5.88	84.67
R-BS1E-8442	5138	29.5	84	42	6.86	98.78
R-BS1E-9642	5316	29.5	96	42	7.84	112.9
R-BS1E-10842	5497	29.5	108	42	8.82	127.01
R-BS1E-12042	5684	29.5	120	42	9.8	141.12
R-BS1E-8448	5360	29.5	84	48	7.84	112.9
R-BS1E-9648	5493	29.5	96	48	8.96	129.02
R-BS1E-10848	8426	29.5	108	48	10.08	145.15
R-BS1E-12048	8663	29.5	120	48	11.2	161.28
R-BS1E-13248	9405	29.5	132	48	12.32	177.41
R-BS1E-14448	9661	29.5	144	48	13.44	193.54
R-BS1E-15648	9910	29.5	156	48	14.56	209.66
R-BS1E-16848	10465	29.5	168	48	15.68	225.79
R-BS1E-18048	10566	29.5	180	48	16.8	241.92
R-BS1E-19248	10663	29.5	192	48	17.92	258.05
R-BS1E-20448	13990	29.5	204	48	19.04	274.18
R-BS1E-21648	14146	29.5	216	48	20.16	290.3
R-BS1E-22848	14474	29.5	228	48	21.28	306.43
R-BS1E-24048	15092	29.5	240	48	22.4	322.56
R-BS1E-10860	9682	29.5	108	60	12.6	181.44
R-BS1E-12060	9968	29.5	120	60	14	201.6
R-BS1E-13260	10256	29.5	132	60	15.4	221.76
R-BS1E-14460	10552	29.5	144	60	16.8	241.92
R-BS1E-15660	10841	29.5	156	60	18.2	262.08
R-BS1E-16860	11129	29.5	168	60	19.6	282.24
R-BS1E-18060	11421	29.5	180	60	21	302.4
R-BS1E-19260	11712	29.5	192	60	22.4	322.56
R-BS1E-20460	15210	29.5	204	60	23.8	342.72
R-BS1E-21660	15397	29.5	216	60	25.2	362.88
R-BS1E-22860	15762	29.5	228	60	26.6	383.04
R-BS1E-24060	16128	29.5	240	60	28	403.2

**Options**

Code	Price	Description	Volume	Weight
R-HDMI	223	HDMI COUPLER, 18"CORD,F/F	12	1.1
R-RJ11	87	RJ11 JACK W/84" CABLE	12	1.1
R-RJ45	230	RJ45, CAT6 W/CORD 72", BLACK	12	1.2

**Add-on Kit**

Code	Price	Description
V-ESMU-A	204	USB ADAPTER (1EA DUAL USB PORTS WITH ADAPTER)



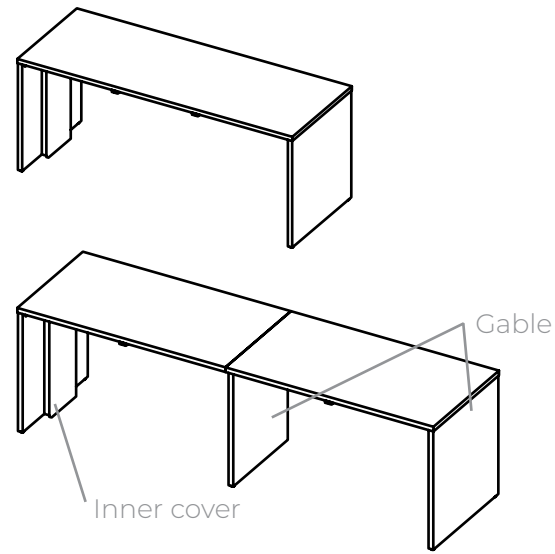
Tables Pricebook  
January 2026  
**Kip Tables**

Kip tables

<u>community table without power and data</u>	50
<u>community table with power and data</u>	52

**Add-on Kits**

Code	Price	Description
V-ESMU-A	204	USB ADAPTER (1EA USB A & C PORTS WITH ADAPTER)



**What's Included:**

- 1.5" laminate top & gables.
- Aluminum bridge under structure.

**How to Specify:**

- Gables and tops are to be selected from 1.5" laminate selection.
- Inner covers November match the tops and gables or can be selected from a contrasting finish.
- All metal components have an unified finish.
- Laminates surface will automatically come with matching configured trim unless otherwise specified.

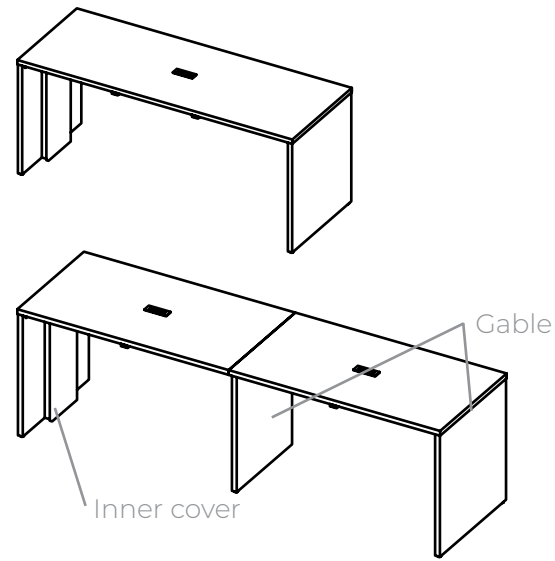
**Notes:**

- Sizes between 60"-96" come as a one-piece top.
- Sizes between 108"-144" come as a two-piece top.
- Tables longer than 96" come with a mid-gable.

**Options:**

Width	60", 72", 84", 96", 108", 120", 144"
Depth	30", 36", 42"
Outershell	Laminate Color
Inner Cover	Laminate Color
Metal Accent	Color

Code	Price	Height (in)	Width (in)	Depth (in)	Volume (ft <sup>3</sup> )	Weight (lb)
R-PT2N-6030	6453	42	60	30	5	72
R-PT2N-7230	6549	42	72	30	6	86.4
R-PT2N-8430	6599	42	84	30	7	100.8
R-PT2N-9630	6696	42	96	30	8	115.2
R-PT2N-6036	6455	42	60	36	6	86.4
R-PT2N-7236	6553	42	72	36	7.2	103.68
R-PT2N-8436	6601	42	84	36	8.4	120.96
R-PT2N-9636	6699	42	96	36	9.6	138.24
R-PT2N-10836	9873	42	108	36	10.8	155.52
R-PT2N-12036	9978	42	120	36	12	172.8
R-PT2N-13236	10080	42	132	36	13.2	190.08
R-PT2N-14436	10184	42	144	36	14.4	207.36
R-PT2N-7242	6556	42	72	42	8.4	120.96
R-PT2N-8442	6603	42	84	42	9.8	141.12
R-PT2N-9642	6702	42	96	42	11.2	161.28
R-PT2N-10842	9880	42	108	42	12.6	181.44
R-PT2N-12042	9987	42	120	42	14	201.6
R-PT2N-13242	10085	42	132	42	15.4	221.76
R-PT2N-14442	10190	42	144	42	16.8	241.92



**What's Included:**

- 1.5" laminate top & gables.
- Aluminum bridge under structure.

**How to Specify:**

- Gables and tops are to be selected from 1.5" laminate selection.
- Inner covers November match the tops and gables or can be selected from a contrasting finish.
- All metal components have an unified finish.
- Laminates surface will automatically come with matching configured trim unless otherwise specified.

**Notes:**

- Sizes between 60"-96" come as a one-piece top.
- Sizes between 108"-144" come as a two-piece top.
- Tables longer than 96" come with a mid-gable.
- Tops between 60"-96" come with one flush surface power unit consisting of 2 power & 2 USB.
- Tops from 108"-144" come with two power units, consisting of 2 power & 2 USB.
- When choosing optional side-mounted USB:
  - Tables without mid-legs have 4 USB power modules.
  - Up to 4 side mount USB units can be connected to one hub.

**Options:**

Width	60", 72", 84", 96", 108", 120", 144"
Depth	30", 36", 42"
Outershell	Laminate Color
Inner Cover	Laminate Color
Metal Accent	Color

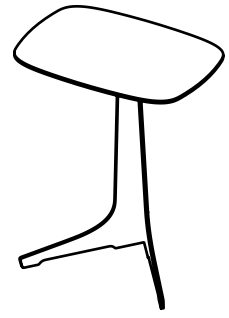
Code	Price	Height (in)	Width (in)	Depth (in)	Volume (ft <sup>3</sup> )	Weight (lb)
R-PT2P-6030	7391	42	60	30	5	72
R-PT2P-7230	7495	42	72	30	6	86.4
R-PT2P-8430	7601	42	84	30	7	100.8
R-PT2P-9630	7708	42	96	30	8	115.2
R-PT2P-6036	7396	42	60	36	6	86.4
R-PT2P-7236	7500	42	72	36	7.2	103.68
R-PT2P-8436	7608	42	84	36	8.4	120.96
R-PT2P-9636	7712	42	96	36	9.6	138.24
R-PT2P-10836	11506	42	108	36	10.8	155.52
R-PT2P-12036	11611	42	120	36	12	172.8
R-PT2P-13236	11715	42	132	36	13.2	190.08
R-PT2P-14436	11819	42	144	36	14.4	207.36
R-PT2P-7242	7506	42	72	42	8.4	120.96
R-PT2P-8442	7610	42	84	42	9.8	141.12
R-PT2P-9642	7714	42	96	42	11.2	161.28
R-PT2P-10842	11510	42	108	42	12.6	181.44
R-PT2P-12042	11615	42	120	42	14	201.6
R-PT2P-13242	11719	42	132	42	15.4	221.76
R-PT2P-14442	11821	42	144	42	16.8	241.92



Tables Pricebook  
January 2026  
**Koko Tables**

Koko tables

<u>rectangular table</u>	56
<u>round table</u>	57



**What's Included:**

Aluminum rectangular laptop table.

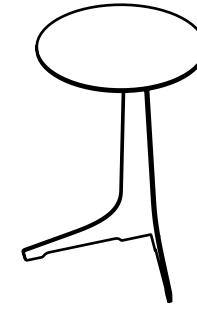
**How to Specify:**

Metal paint color.

**Options:**

Metal color

Code	Price	Height (in)	Width (in)	Depth (in)	Volume (ft <sup>3</sup> )	Weight (lb)
R-PTR-242014	1272	24	20	14	4	26.88



**What's Included:**

Aluminum round laptop table.

**How to Specify:**

Metal paint color.

**Options:**

Metal Color

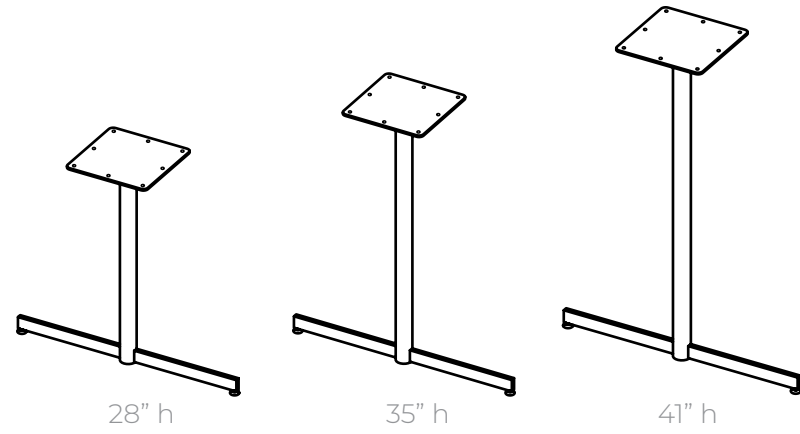
Code	Price	Height (in)	Width (in)	Depth (in)	Volume (ft <sup>3</sup> )	Weight (lb)
R-PTO-241616	1272	24	16	16	4	24.58



Tables Pricebook  
January 2026  
**Hanna**

Hanna tables

T base - slim	60
T base - tubular	62
X base - slim	64
X base - tubular	66
super ellipse top	68
round top	70
squircle top	72
rectangular top	74
square top	76



**What's Included:**

One (1) metal slim T base.

**How to Specify:**

T bases should be specified in two's.

Metal color.

24"d top - 16" spread

30"d top - 18" spread

36"d top - 22" spread

42"d top - 30" spread

48"d top - 34" spread

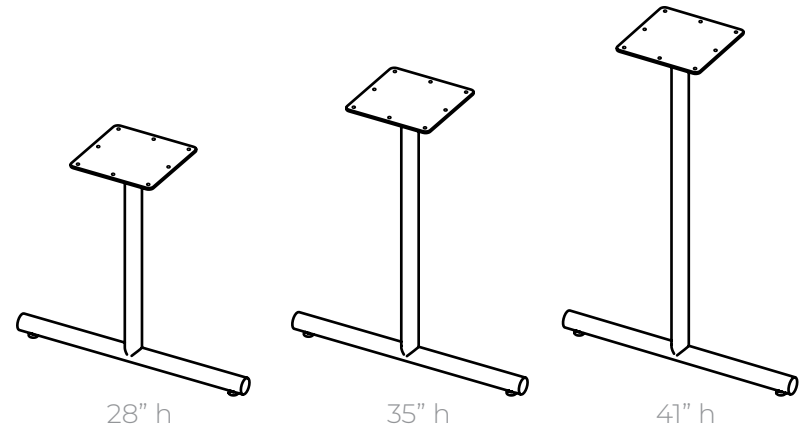
**Options:**

Spread                      16", 18", 22", 30", 34"

Height                      28", 35", 41"

Metal Color

Code	Price	Height (in)	Spread (in)	Volume (ft <sup>3</sup> )	Weight (lb)
R-HSB-T-1628	913	28	16	8	Slim T Base
R-HSB-T-1828	921	28	18	9	14
R-HSB-T-2228	920	28	22	11	14
R-HSB-T-3028	933	28	30	15	14
R-HSB-T-3428	967	28	34	17	14
R-HSB-T-1635	1286	35	16	11.5	17.5
R-HSB-T-1835	1291	35	18	12.5	17.5
R-HSB-T-2235	1295	35	22	14.5	17.5
R-HSB-T-3035	1306	35	30	18.5	17.5
R-HSB-T-3435	1341	35	34	20.5	17.5
R-HSB-T-1641	1286	41	16	14.5	20.5
R-HSB-T-1841	1291	41	18	15.5	20.5
R-HSB-T-2241	1295	41	22	17.5	20.5
R-HSB-T-3041	1306	41	30	21.5	20.5
R-HSB-T-3441	1341	41	34	23.5	20.5



**What's Included:**

One (1) metal tubular T base.

**How to Specify:**

T bases should be specified in two's.

Metal color.

24"d top - 16" spread

30"d top - 18" spread

36"d top - 22" spread

42"d top - 30" spread

48"d top - 34" spread

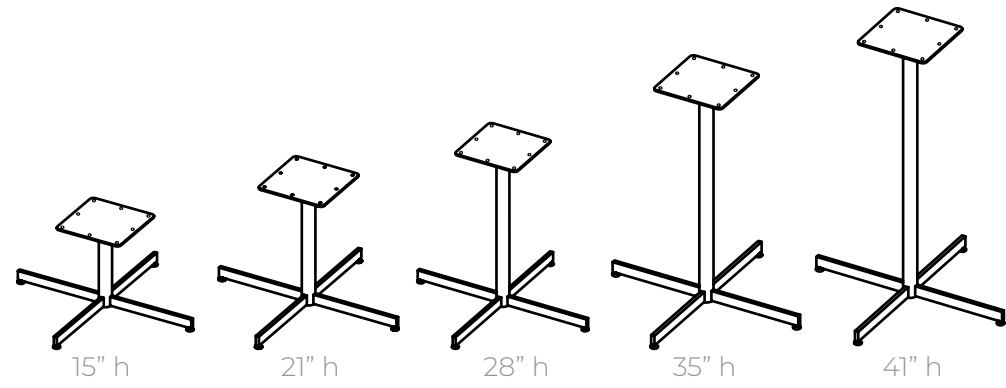
**Options:**

Spread                      16", 18", 22", 30", 34"

Height                      28", 35", 41"

Metal Color

Code	Price	Height (in)	Spread (in)	Volume (ft3)	Weight (lb)
R-HTB-T-1628	913	28	16	8	Tubular T Base
R-HTB-T-1828	917	28	18	9	14
R-HTB-T-2228	920	28	22	11	14
R-HTB-T-3028	933	28	30	15	14
R-HTB-T-3428	1225	28	34	17	14
R-HTB-T-1635	1207	35	16	11.5	17.5
R-HTB-T-1835	1209	35	18	12.5	17.5
R-HTB-T-2235	1212	35	22	14.5	17.5
R-HTB-T-3035	1225	35	30	18.5	17.5
R-HTB-T-3435	1563	35	34	20.5	17.5
R-HTB-T-1641	1286	41	16	14.5	20.5
R-HTB-T-1841	1291	41	18	15.5	20.5
R-HTB-T-2241	1295	41	22	17.5	20.5
R-HTB-T-3041	1306	41	30	21.5	20.5
R-HTB-T-3441	1642	41	34	23.5	20.5



**What's Included:**

One (1) metal slim X base.

**How to Specify:**

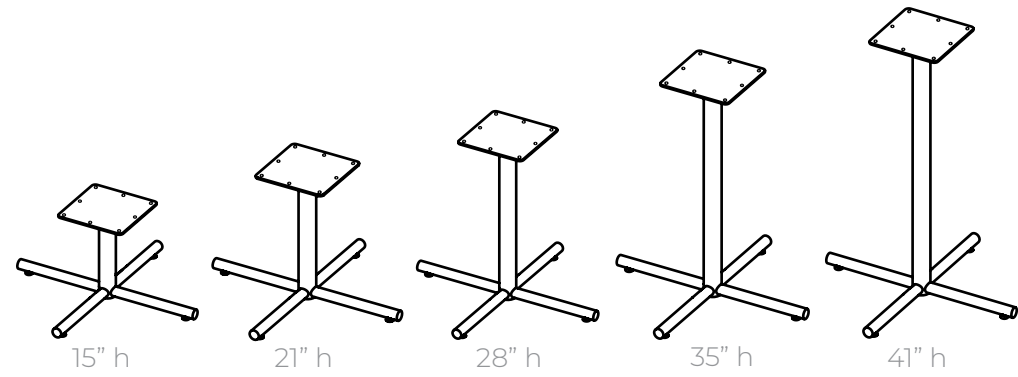
Metal color.

Round	Square	Squircle	Rectangular & Super Ellipse
24"dia - 18" spread	18"d - 18" spread	24"d - 22" spread	24"d - 18" spread
30"dia - 22" spread	24"d - 22" spread	30"d - 26" spread	30"d - 22" spread
36"dia - 26" spread	30"d - 26" spread	36"d - 30" spread	36"d - 26" spread
42"dia - 30" spread	36"d - 30" spread	42"d - 34" spread	42"d - 30" spread
48"dia - 34" spread	42"d - 34" spread		48"d - 34" spread
54"dia - 42" spread			
60"dia - 48" spread			

**Options:**

Spread	18", 22", 26", 30", 34", 42", 48"
Height	15", 21", 28", 35", 41"
Metal Color	

Code	Price	Height (in)	Spread (in)	Volume (ft <sup>3</sup> )	Weight (lb)
R-HSB-X-1615	1212	15	16	8	Slim X Base
R-HSB-X-1815	1222	15	18	9.5	7.5
R-HSB-X-2215	1254	15	22	11.5	7.5
R-HSB-X-2615	1296	15	26	13.5	7.5
R-HSB-X-3015	1343	15	30	15.5	7.5
R-HSB-X-3415	1384	15	34	17.5	7.5
R-HSB-X-1621	1212	21	16	9	10.5
R-HSB-X-1821	1222	21	18	10.5	10.5
R-HSB-X-2221	1254	21	22	12.5	10.5
R-HSB-X-2621	1296	21	26	14.5	10.5
R-HSB-X-3021	1343	21	30	16.5	10.5
R-HSB-X-3421	1384	21	34	18.5	10.5
R-HSB-X-1628	1212	28	16	12	14
R-HSB-X-1828	1222	28	18	13.5	14
R-HSB-X-2228	1254	28	22	15.5	14
R-HSB-X-2628	1296	28	26	17.5	14
R-HSB-X-3028	1343	28	30	19.5	14
R-HSB-X-3428	1384	28	34	21.5	14
R-HSB-X-1635	1589	35	16	15	17.5
R-HSB-X-1835	1596	35	18	16.5	17.5
R-HSB-X-2235	1627	35	22	18.5	17.5
R-HSB-X-2635	1670	35	26	20.5	17.5
R-HSB-X-3035	1717	35	30	22.5	17.5
R-HSB-X-3435	1756	35	34	24.5	17.5
R-HSB-X-1641	1589	41	16	17	20.5
R-HSB-X-1841	1596	41	18	18.5	20.5
R-HSB-X-2241	1627	41	22	20.5	20.5
R-HSB-X-2641	1670	41	26	22.5	20.5
R-HSB-X-3041	1717	41	30	24.5	20.5
R-HSB-X-3441	1756	41	34	26.5	20.5



**What's Included:**

One (1) metal tubular X base.

**How to Specify:**

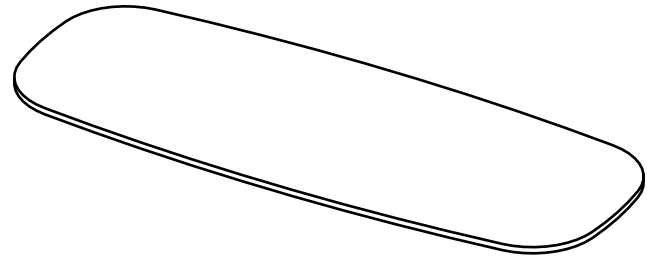
Metal color.

Round	Square	Squircle	Rectangular & Super Ellipse
24"dia - 18" spread	18"d - 18" spread	24"d - 22" spread	24"d - 18" spread
30"dia - 22" spread	24"d - 22" spread	30"d - 26" spread	30"d - 22" spread
36"dia - 26" spread	30"d - 26" spread	36"d - 30" spread	36"d - 26" spread
42"dia - 30" spread	36"d - 30" spread	42"d - 34" spread	42"d - 30" spread
48"dia - 34" spread	42"d - 34" spread		48"d - 34" spread
54"dia - 42" spread			
60"dia - 48" spread			

**Options:**

Spread	18", 22", 26", 30", 34", 42", 48"
Height	15", 21", 28", 35", 41"
Metal Color	

Code	Price	Height (in)	Spread (in)	Volume (ft <sup>3</sup> )	Weight (lb)
R-HTB-X-1615	1212	15	16	8	7.5
R-HTB-X-1815	1222	15	18	9.5	7.5
R-HTB-X-2215	1254	15	22	11.5	7.5
R-HTB-X-2615	1296	15	26	13.5	7.5
R-HTB-X-3015	1343	15	30	15.5	7.5
R-HTB-X-3415	1603	15	34	17.5	7.5
R-HTB-X-4215	2075	15	42	21.5	7.5
R-HTB-X-4815	2333	15	48	24.5	7.5
R-HTB-X-1621	1212	21	16	9	10.5
R-HTB-X-1821	1222	21	18	10.5	10.5
R-HTB-X-2221	1254	21	22	12.5	10.5
R-HTB-X-2621	1296	21	26	14.5	10.5
R-HTB-X-3021	1343	21	30	16.5	10.5
R-HTB-X-3421	1603	21	34	18.5	10.5
R-HTB-X-4221	2075	21	42	22.5	10.5
R-HTB-X-4821	2333	21	48	25.5	10.5
R-HTB-X-1628	1212	28	16	12	14
R-HTB-X-1828	1222	28	18	13.5	14
R-HTB-X-2228	1254	28	22	15.5	14
R-HTB-X-2628	1296	28	26	17.5	14
R-HTB-X-3028	1343	28	30	19.5	14
R-HTB-X-3428	1603	28	34	21.5	14
R-HTB-X-4228	2075	28	42	25.5	14
R-HTB-X-4828	2333	28	48	28.5	14
R-HTB-X-1635	1627	35	16	15	17.5
R-HTB-X-1835	1636	35	18	16.5	17.5
R-HTB-X-2235	1670	35	22	18.5	17.5
R-HTB-X-2635	1711	35	26	20.5	17.5
R-HTB-X-3035	1756	35	30	22.5	17.5
R-HTB-X-3435	1888	35	34	24.5	17.5
R-HTB-X-4235	2358	35	42	28.5	17.5
R-HTB-X-4835	2718	35	48	31.5	17.5
R-HTB-X-1641	1627	41	16	17	20.5
R-HTB-X-1841	1636	41	18	18.5	20.5
R-HTB-X-2241	1670	41	22	20.5	20.5
R-HTB-X-2641	1711	41	26	22.5	20.5
R-HTB-X-3041	1756	41	30	24.5	20.5
R-HTB-X-3441	1888	41	34	26.5	20.5
R-HTB-X-4241	2358	41	42	30.5	20.5
R-HTB-X-4841	2718	41	48	33.5	20.5



**What's Included:**

1" laminate surface.

**How to Specify:**

Must be specified with two bases.

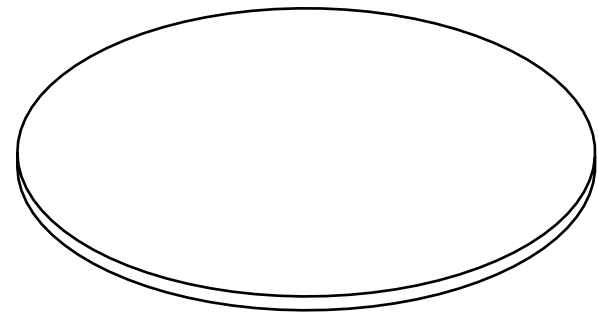
**Options:**

Width 30", 36", 42", 48", 54", 60", 66", 72", 78", 84", 90", 96"

Depth 24", 30", 36", 42", 48"

Worksurface Laminate

Code	Price	Height (in)	Width (in)	Depth (in)	Volume (ft <sup>3</sup> )	Weight (lb)
R-TE0N-3024	505	1	30	24	0.4	14.4
R-TE0N-3624	511	1	36	24	0.48	17.28
R-TE0N-4224	581	1	42	24	0.56	20.16
R-TE0N-4824	610	1	48	24	0.64	23.04
R-TE0N-5424	705	1	54	24	0.72	25.92
R-TE0N-6024	734	1	60	24	0.8	28.8
R-TE0N-6624	794	1	66	24	0.88	31.68
R-TE0N-7224	827	1	72	24	0.96	34.56
R-TE0N-7824	889	1	78	24	1.04	37.44
R-TE0N-8424	947	1	84	24	1.12	40.32
R-TE0N-9024	1063	1	90	24	1.2	43.2
R-TE0N-9624	1134	1	96	24	1.28	46.08
R-TE0N-4230	629	1	42	30	0.7	25.2
R-TE0N-4830	666	1	48	30	0.8	28.8
R-TE0N-5430	731	1	54	30	0.9	32.4
R-TE0N-6030	762	1	60	30	1	36
R-TE0N-6630	851	1	66	30	1.1	39.6
R-TE0N-7230	870	1	72	30	1.2	43.2
R-TE0N-7830	933	1	78	30	1.3	46.8
R-TE0N-8430	997	1	84	30	1.4	50.4
R-TE0N-9030	1118	1	90	30	1.5	54
R-TE0N-9630	1195	1	96	30	1.6	57.6
R-TE0N-6036	792	1	60	36	1.2	43.2
R-TE0N-6636	885	1	66	36	1.32	47.52
R-TE0N-7236	904	1	72	36	1.44	51.84
R-TE0N-7836	966	1	78	36	1.56	56.16
R-TE0N-8436	1036	1	84	36	1.68	60.48
R-TE0N-9036	1159	1	90	36	1.8	64.8
R-TE0N-9636	1238	1	96	36	1.92	69.12
R-TE0N-8442	1133	1	84	42	1.96	70.56
R-TE0N-9042	1256	1	90	42	2.1	75.6
R-TE0N-9642	1332	1	96	42	2.24	80.64
R-TE0N-8448	1230	1	84	48	2.24	80.64
R-TE0N-9048	1365	1	90	48	2.4	86.4
R-TE0N-9648	1449	1	96	48	2.56	92.16



**What's Included:**

1" laminate surface.

**How to Specify:**

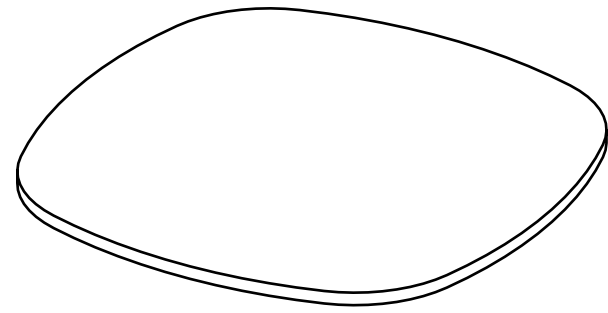
Must be specified with X-base.

**Options:**

Diameter 24", 30", 36", 42", 48", 54", 60"

Worksurface Laminate

Code	Price	Height (in)	Width (in)	Depth (in)	Volume (ft <sup>3</sup> )	Weight (lb)
R-TO0N-24	641	1	24	24	0.32	11.52
R-TO0N-30	703	1	30	30	0.5	18
R-TO0N-36	717	1	36	36	0.72	25.92
R-TO0N-42	760	1	42	42	0.98	35.28
R-TO0N-48	778	1	48	48	1.28	46.08
R-TO0N-54	891	1	54	54	1.28	52.23
R-TO0N-60	1028	1	60	60	1.38	56.32



**What's Included:**

1" laminate surface.

**How to Specify:**

Must be specified with a X-base.

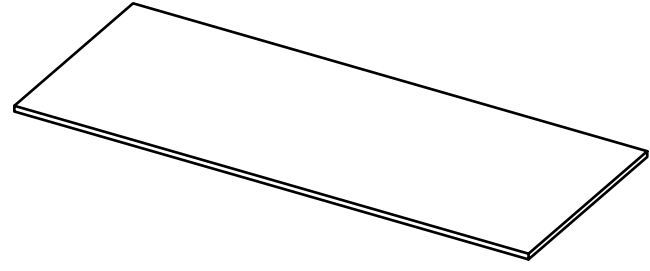
**Options:**

Width 24", 30", 36", 42", 48"

Depth 24", 30", 36", 42"

Worksurface Laminate

Code	Price	Height (in)	Width (in)	Depth (in)	Volume (ft <sup>3</sup> )	Weight (lb)
R-TQ0N-2424	641	1	24	24	0.32	11.52
R-TQ0N-3030	703	1	30	30	0.5	18
R-TQ0N-3636	717	1	36	36	0.72	25.92
R-TQ0N-4242	760	1	42	42	0.98	35.28



**What's Included:**

1" laminate surface.

**How to Specify:**

Must be specified with two bases.

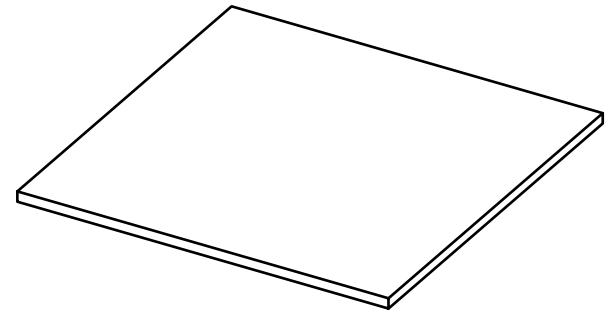
**Options:**

Width 30", 36", 42", 48", 54", 60", 66", 72", 78", 84", 90", 96"

Depth 18", 24", 30", 36", 42", 48"

Worksurface Laminate

Code	Price	Height (in)	Width (in)	Depth (in)	Volume (ft <sup>3</sup> )	Weight (lb)
R-TR0N-3024	335	1	30	24	0.4	14.4
R-TR0N-3624	340	1	36	24	0.48	17.28
R-TR0N-4224	409	1	42	24	0.56	20.16
R-TR0N-4824	438	1	48	24	0.64	23.04
R-TR0N-5424	535	1	54	24	0.72	25.92
R-TR0N-6024	565	1	60	24	0.8	28.8
R-TR0N-6624	625	1	66	24	0.88	31.68
R-TR0N-7224	656	1	72	24	0.96	34.56
R-TR0N-7824	718	1	78	24	1.04	37.44
R-TR0N-8424	778	1	84	24	1.12	40.32
R-TR0N-9024	891	1	90	24	1.2	43.2
R-TR0N-9624	964	1	96	24	1.28	46.08
R-TR0N-4230	459	1	42	30	0.7	25.2
R-TR0N-4830	496	1	48	30	0.8	28.8
R-TR0N-5430	560	1	54	30	0.9	32.4
R-TR0N-6030	592	1	60	30	1	36
R-TR0N-6630	681	1	66	30	1.1	39.6
R-TR0N-7230	700	1	72	30	1.2	43.2
R-TR0N-7830	762	1	78	30	1.3	46.8
R-TR0N-8430	827	1	84	30	1.4	50.4
R-TR0N-9030	946	1	90	30	1.5	54
R-TR0N-9630	1024	1	96	30	1.6	57.6
R-TR0N-6036	623	1	60	36	1.2	43.2
R-TR0N-6636	713	1	66	36	1.32	47.52
R-TR0N-7236	731	1	72	36	1.44	51.84
R-TR0N-7836	794	1	78	36	1.56	56.16
R-TR0N-8436	864	1	84	36	1.68	60.48
R-TR0N-9036	990	1	90	36	1.8	64.8
R-TR0N-9636	1066	1	96	36	1.92	69.12
R-TR0N-8442	961	1	84	42	1.96	70.56
R-TR0N-9042	1085	1	90	42	2.1	75.6
R-TR0N-9642	1163	1	96	42	2.24	80.64
R-TR0N-8448	1058	1	84	48	2.24	80.64
R-TR0N-9048	1194	1	90	48	2.4	86.4
R-TR0N-9648	1259	1	96	48	2.56	92.16



**What's Included:**

1" laminate surface.

**How to Specify:**

Must be specified with a X-base.

**Options:**

Width 18", 24", 30", 36", 42", 48", 54"

Depth 18", 24", 30", 36", 42", 48", 54"

Worksurface Laminate

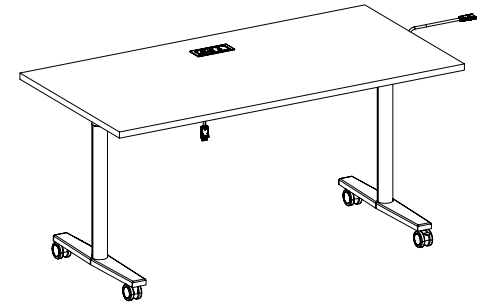
Code	Price	Height (in)	Width (in)	Depth (in)	Volume (ft <sup>3</sup> )	Weight (lb)
R-TS0N-1818	398	1	18	18	0.18	6.48
R-TS0N-2424	432	1	24	24	0.32	11.52
R-TS0N-3030	465	1	30	30	0.5	18
R-TS0N-3636	511	1	36	36	0.72	25.92
R-TS0N-4242	653	1	42	42	0.98	35.28



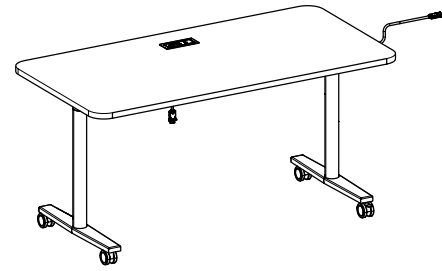
Tables Pricebook  
February 2025  
**Studi**

Studi tables

<u>with Power Module &amp; Daisy Chain</u>	80
<u>with Power Module</u>	82
<u>with Grommet</u>	84
<u>without Grommet</u>	86
<u>Add ons</u>	88
<u>PET Modesty</u>	88
<u>Frosted Acrylic Modesty</u>	89
<u>Ganging Mechanism</u>	90
<u>Daisy Chain</u>	91



Straight Corner



Radius Corner

**What's Included:**

Studi table with surface power module, daisy chain in feed sold separately

**How to Specify:**

Specify laminate for surface

Each laminate comes with matching vinyl trim color unless otherwise specified on your purchase order.

Refer to the laminate finish card for details.

Specify straight or radius corner.

Studi table base is silver only.

**Notes:**

Two of the four casters on the Studi table are lockable.

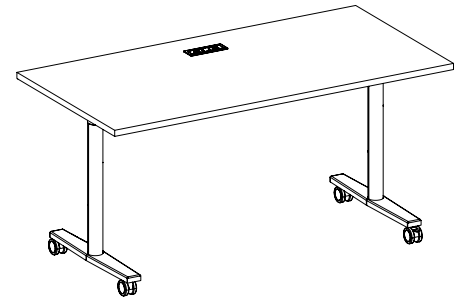
Surface power module comes in black only and includes 2 power, 1 USB A, and 1 USB C

Daisy chain in feed must be purchased separately. Check add ons section for details.

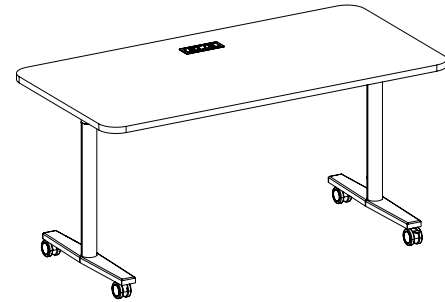
**Options:**

Width	48", 54", 60", 66", 72"
Depth	24", 30"
Laminate	laminate color
Corner	straight, radius

Code	Price	H	W	D	Weight (lb.)	Volume (ft <sup>3</sup> )
Straight Corner						
RT-TS0D-4824	2446	Studi Table with Power Module & Daisy Chain	48	24		
RT-TS0D-4830	2449		48	30		
RT-TS0D-5424	2564		54	24		
RT-TS0D-5430	2566		54	30		
RT-TS0D-6024	2573		60	24		
RT-TS0D-6030	2578		60	30		
RT-TS0D-6624	2601		66	24		
RT-TS0D-6630	2603		66	30		
RT-TS0D-7224	2623		72	24		
RT-TS0D-7230	2625		72	30		
Radius Corner						
RT-TR0D-4824	2627		48	24		
RT-TR0D-4830	2629		48	30		
RT-TR0D-5424	2745		54	24		
RT-TR0D-5430	2748		54	30		
RT-TR0D-6024	2753		60	24		
RT-TR0D-6030	2759		60	30		
RT-TR0D-6624	2781		66	24		
RT-TR0D-6630	2784		66	30		
RT-TR0D-7224	2802		72	24		
RT-TR0D-7230	2805		72	30		



Straight Corner



Radius Corner

**What's Included:**

Studi table with surface power module,

**How to Specify:**

Specify laminate for surface

Each laminate comes with matching vinyl trim color unless otherwise specified on your purchase order.

Refer to the laminate finish card for details.

Specify straight or radius corner.

Studi table base is silver only.

**Notes:**

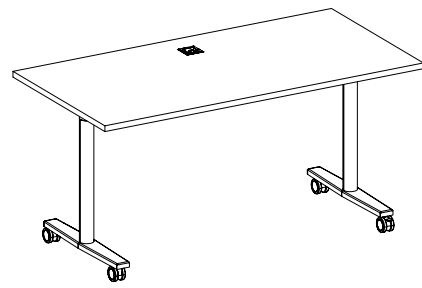
Two of the four casters on the Studi table are lockable.

Surface power module comes in black only and includes 2 power, 1 USB A, and 1 USB C

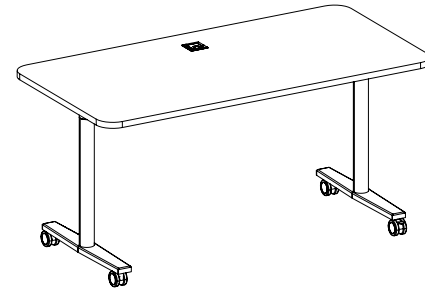
**Options:**

Width	48", 54", 60", 66", 72"
Depth	24", 30"
Laminate	laminate color
Corner	straight, radius

Code	Price	H	W	D	Weight (lb.)	Volume (ft <sup>3</sup> )
Straight Corner						
RT-TS0E-4824	2167	Studi Table with Power Module	48	24		
RT-TS0E-4830	2169		48	30		
RT-TS0E-5424	2292		54	24		
RT-TS0E-5430	2294		54	30		
RT-TS0E-6024	2294		60	24		
RT-TS0E-6030	2300		60	30		
RT-TS0E-6624	2318		66	24		
RT-TS0E-6630	2322		66	30		
RT-TS0E-7224	2335		72	24		
RT-TS0E-7230	2337		72	30		
Radius Corner						
RT-TR0E-4824	2369		48	24		
RT-TR0E-4830	2372		48	30		
RT-TR0E-5424	2494		54	24		
RT-TR0E-5430	2497		54	30		
RT-TR0E-6024	2497		60	24		
RT-TR0E-6030	2503		60	30		
RT-TR0E-6624	2521		66	24		
RT-TR0E-6630	2523		66	30		
RT-TR0E-7224	2536		72	24		
RT-TR0E-7230	2540		72	30		



Straight Corner



Radius Corner

**What's Included:**

Studi table with surface power module,

**How to Specify:**

Specify laminate for surface

Each laminate comes with matching vinyl trim color unless otherwise specified on your purchase order.

Refer to the laminate finish card for details.

Specify straight or radius corner.

Studi table base is silver only.

**Notes:**

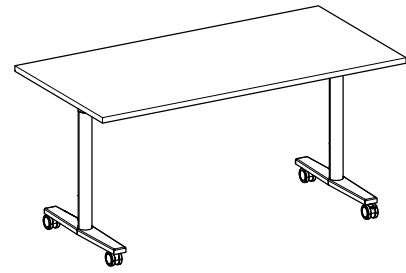
Two of the four casters on the Studi table are lockable.

When the grommet is specified, it will be centrally located along the back edge of the worksurface.

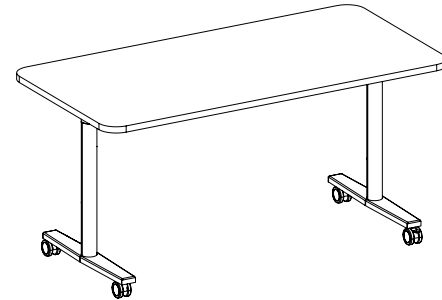
**Options:**

Width	48", 54", 60", 66", 72"
Depth	24", 30"
Laminate	laminate color
Corner	straight, radius
Grommet	grommet color

Code	Price	H	W	D	Weight (lb.)	Volume (ft <sup>3</sup> )
Straight Corner						
RT-TS0G-4824	1636	Studi Table with Grommet	48	24		
RT-TS0G-4830	1639		48	30		
RT-TS0G-5424	1761		54	24		
RT-TS0G-5430	1765		54	30		
RT-TS0G-6024	1765		60	24		
RT-TS0G-6030	1770		60	30		
RT-TS0G-6624	1789		66	24		
RT-TS0G-6630	1791		66	30		
RT-TS0G-7224	1804		72	24		
RT-TS0G-7230	1807		72	30		
Radius Corner						
RT-TR0G-4824	1839		48	24		
RT-TR0G-4830	1841		48	30		
RT-TR0G-5424	1964		54	24		
RT-TR0G-5430	1966		54	30		
RT-TR0G-6024	1966		60	24		
RT-TR0G-6030	1972		60	30		
RT-TR0G-6624	1990		66	24		
RT-TR0G-6630	1994		66	30		
RT-TR0G-7224	2007		72	24		
RT-TR0G-7230	2009		72	30		



Straight Corner



Radius Corner

**What's Included:**

Studi table without grommet

**How to Specify:**

Specify laminate for surface

Each laminate comes with matching vinyl trim color unless otherwise specified on your purchase order.

Refer to the laminate finish card for details.

Specify straight or radius corner.

Studi table base is silver only.

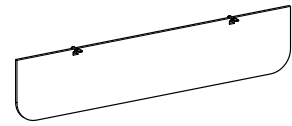
**Notes:**

Two of the four casters on the Studi table are lockable.

**Options:**

Width	48", 54", 60", 66", 72"
Depth	24", 30"
Laminate	laminate color
Corner	straight, radius

Code	Price	H	W	D	Weight (lb.)	Volume (ft <sup>3</sup> )
Straight Corner						
RT-TS0N-4824	1579	Studi Table without Grommet	24	48		
RT-TS0N-4830	1584		30	48		
RT-TS0N-5424	1705		24	54		
RT-TS0N-5430	1709		30	54		
RT-TS0N-6024	1709		24	60		
RT-TS0N-6030	1715		30	60		
RT-TS0N-6624	1732		24	66		
RT-TS0N-6630	1735		30	66		
RT-TS0N-7224	1748		24	72		
RT-TS0N-7230	1752		30	72		
Radius Corner						
RT-TR0N-4824	1782		24	48		
RT-TR0N-4830	1785		30	48		
RT-TR0N-5424	1908		24	54		
RT-TR0N-5430	1910		30	54		
RT-TR0N-6024	1910		24	60		
RT-TR0N-6030	1916		30	60		
RT-TR0N-6624	1934		24	66		
RT-TR0N-6630	1937		30	66		
RT-TR0N-7224	1951		24	72		
RT-TR0N-7230	1953	PET mod-esty	30	72		



PET Modesty

**What's Included:**

PET modesty for Studi table

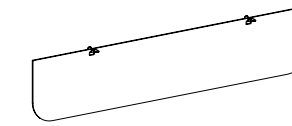
**Notes:**

PET modesty comes in Nori T114 finish only

**Options:**

Width 48", 54", 60", 66", 72"

Code	Price	H	W	Weight (lb.)	Volume (ft <sup>3</sup> )
RT-MMOD-48-P	446	12	48		
RT-MMOD-54-P	468	12	54		
RT-MMOD-60-P	763	12	60		
RT-MMOD-66-P	763	12	66		
RT-MMOD-72-P	763	12	72		



Frosted Acrylic Modesty

**What's Included:**

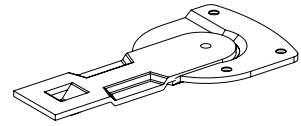
Frosted acrylic modesty for Studi table

**Notes:**

**Options:**

Width 48", 54", 60", 66", 72"

Code	Price	H	W	Weight (lb.)	Volume (ft <sup>3</sup> )
RT-MMOD-48-F	935	12	48		
RT-MMOD-54-F	956	12	54		
RT-MMOD-60-F	978	12	60		
RT-MMOD-66-F	1019	12	66		
RT-MMOD-72-F	1062	12	72		



Ganging Mechanism

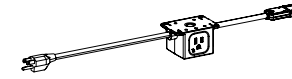
**What's Included:**

Black ganging mechanism for Studi table

**Notes:**

The ganging mechanism fits into the pre-drilled holes on the underside of the one-touch table.  
Ganging mechanisms are available in pairs.

Code	Price	W	Weight (lb.)	Volume (ft <sup>3</sup> )
RT-AGM0	49	2		



Daisy Chain

**What's Included:**

Daisy chain in feed

**Notes:**

Must be purchased for Studi tables with daisy chain cable in feed.  
Cable is 72" long

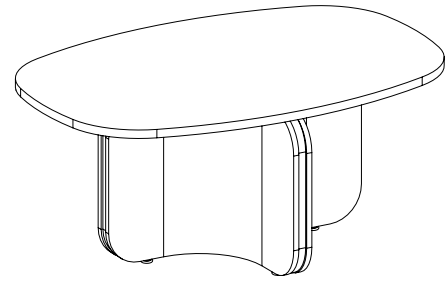
Code	Price	Weight (lb.)	Volume (ft <sup>3</sup> )
RT-DCS-072	336		



Tables Pricebook  
July 2025  
**Echo**

Echo tables

<u>Super Ellipse</u>	94
<u>no power module</u>	94
<u>w power module</u>	95
<u>Round</u>	96
<u>no power module</u>	96
<u>w power module</u>	97
<u>Squircle</u>	98
<u>no power module</u>	98
<u>w power module</u>	99



Super Ellipse table w/cross PET base, no power

**What's Included:**

Table base, table top

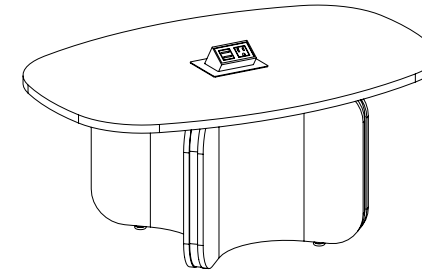
**How to Specify:**

Color of P.E.T., and laminate top

**Notes:**

Top Thickness 1"

Code	Price	H	W	D
R-PE0N-362416	1755	16	36	24



Super Ellipse table w/cross PET base, w power module

**What's Included:**

Table base, table top and optional power module

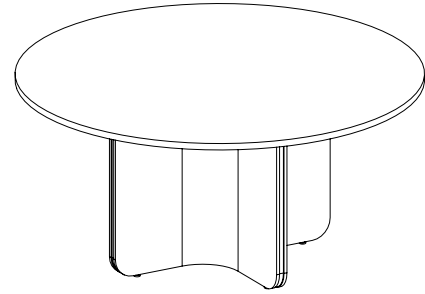
**How to Specify:**

Color of P.E.T., laminate top and power module can be specified in order cover sheet.

**Notes:**

Top Thickness 1"

Code	Price	H	W	D
R-PE0P-362416	2954	16	36	24



Round table w/cross PET base, no power

**What's Included:**

Table base, table top

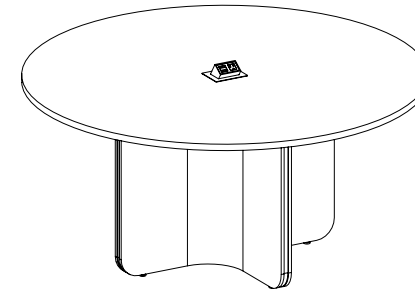
**How to Specify:**

Color of P.E.T., and laminate top

**Notes:**

Top Thickness 1"

Code	Price	H	W	D
R-PC0N-360016	2021	16	36	36
R-PC0N-420016	2154	16	42	42
R-PC0N-300029	2080	29	30	30
R-PC0N-360029	2188	29	36	36
R-PC0N-420029	2349	29	42	42
R-PC0N-480029	2479	29	48	48
R-PC0N-540029	2750	29	54	54
R-PC0N-600029	3055	29	60	60



Round table w/cross PET base

**What's Included:**

Table base, table top and optional power module

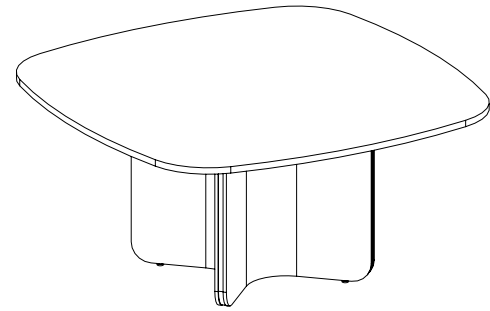
**How to Specify:**

Color of P.E.T., and laminate top

**Notes:**

Top Thickness 1"

Code	Price	H	W	D
R-PC0P-360016	3220	16	36	36
R-PC0P-420016	3353	16	42	42
R-PC0P-300029	3279	29	30	30
R-PC0P-360029	3387	29	36	36
R-PC0P-420029	3548	29	42	42
R-PC0P-480029	3678	29	48	48
R-PC0P-540029	3949	29	54	54
R-PC0P-600029	4254	29	60	60



Squircle table w/cross PET base, no power

**What's Included:**

Table base, table top

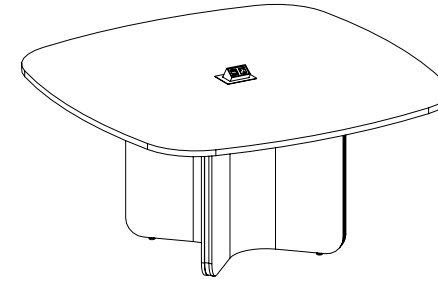
**How to Specify:**

Color of P.E.T., and laminate top

**Notes:**

Top Thickness 1"

Code	Price	H	W	D
R-PQ0N-363616	2021	16	36	36
R-PQ0N-424216	2154	16	42	42
R-PQ0N-303029	2080	29	30	30
R-PQ0N-363629	2188	29	36	36
R-PQ0N-424229	2349	29	42	42
R-PQ0N-484829	2493	29	48	48
R-PQ0N-545429	2759	29	54	54
R-PQ0N-606029	3003	29	60	60



Squircle table w/cross PET base

**What's Included:**

Table base, table top and optional power module

**How to Specify:**

Color of P.E.T., and laminate top

**Notes:**

Top Thickness 1"

Code	Price	H	W	D
R-PQ0P-363616	3220	16	36	36
R-PQ0P-424216	3353	16	42	42
R-PQ0P-303029	3279	29	30	30
R-PQ0P-363629	3387	29	36	36
R-PQ0P-424229	3548	29	42	42
R-PQ0P-484829	3692	29	48	48
R-PQ0P-545429	3958	29	54	54
R-PQ0P-606029	4202	29	60	60