



Scene Pricebook

MHEC

Contract Number: MC13-C07

January 2025

Contents

Caution	7
overview	8
the line-up	9
general instructions	15
workspace definition	16
screen definition	18
installation sequence	22
screen post to surface	24
screens to screen post	25
end reinforcement bars to open center gable	29
shared reinforcement bars to open center gable	30
no connector reinforcement bars to workspace	31
workspace to workspace flush plate	32
flag storage installation	34
single post support	35
low credenza to workspace fixed support	36
low credenza to wide workspace fixed support	37
workspace to high credenza installation	38
reinforcement beams to workspace	39
front inset spacer to high credenza installation	40
overhead storage - attachment to dry wall with wood studs	42
credenza mounted storage to high credenza installation	44
credenza mounted storage to high credenza installation	44
surface mounted screen	45
trough mounted modesty screen	46
wire management trough to surface	47
power pole installation	48
trough mounted communication box installation	50
trough mounted power box installation	51

pedestals	53
freestanding	54
mobile	56
lateral	59
2 Drawer	60
3 Drawer	62
4 Drawer	64
open high	68
enclosed high	69
combo high	70
open low	72
enclosed low	73
combo low	74
4 door laminate	77
4 door laminate	78
4 door acrylic	79
2 door laminate	80
2 door acrylic	81
flag storage	83
open shelf	84
shared open shelf	86
left side flag storage	87
right side flag storage	88
credenza mount storage	91
single level - open shelf	92
double level - open shelf	94
double level - open shelf/hinged door	95
double level - open shelf/frost door	96
double level - frost acrylic hinged door	98
double level - hinged door	100
wall mounted storage	103
open shelf	104
hinged door hutch	105
frost acrylic hinged door hutch	106

tower	109
closet	110
acrylic door closet	111
storage	112
acrylic door storage	114
combo storage - closet / cabinet	116
acrylic door cabinet /combo storage - closet	117
acrylic door cabinet /combo storage - closet tower	117
combo storage - closet / BBF / cabinet	118
acrylic door cabinet / BBF / combo storage - closet	119
combo storage - closet / FF / cabinet	120
combo storage - closet / FF / acrylic door cabinet	122
surface	125
type 1 arc worksurface w/ center grommet	126
type 1 arc worksurface w/ side grommet	128
type 1 straight worksurface w/ center grommet	130
type 1 straight worksurface w/ side grommet	132
type 1 straight worksurface without grommet	134
type 1 unitized desk w/ side grommet	136
type 1 D worksurface w/ side grommet	138
credenza mounted D worksurface w/ side grommet	140
credenza mounted straight worksurface	142
credenza mounted straight return w/ center grommet	144
flag storage straight worksurface (single full side)	146
flag storage straight worksurface (single shared side)	148
flag storage straight worksurface (full / shared)	150
flag storage straight worksurface (shared / shared)	152
surfaces with power grommet	155
straight worksurface	156
credenza surface straight return	158
table	161
freestanding square table	162
freestanding round table	163

screens	165
privacy screen - end to end	166
solid	166
whiteboard	171
fabric	174
frost acrylic	178
solid	182
whiteboard	187
fabric	190
frost acrylic	194
solid	198
whiteboard	203
fabric	206
frost acrylic	210
screen components	215
accessories rail - end to end	216
accessories rail - end to share	218
post	220
supports	223
spacer	224
end gable	226
flag storage gable	227
center gable	228
single support leg	229
low credenza support	230
mending plate	231
reinforcement bars	233
end to end	234
end to share	236
share to share	238
end to no connector	240
share to no connector	242
no connector	244

electrics	247
wire management trough	248
trough mounted power box	250
electrical splitter harness	252
connector harness (female to female)	254
connector harness (female to female) continued	256
connector harness (female to male)	257
power pole	258
power pole bracket	259
under worksurface mounted wire manager	260
task light	261
pop-up grommet	262
accessories	265
trough mounted modesty	266
surface mounted metal screen	268
accessory screen	269
storage cube	270
paper sorter	271
paper tray	272
pen holder	273
monitor arm	274
keyboard tray	275
pencil tray	276
credenza seat cushion	277

Caution

Load Bottom Drawer First

- Operate one drawer at a time
- Units may tip if loaded incorrectly
- Units should be attached to a wall or other furniture to reduce tipping hazard
- Always load the heaviest files in the bottom drawer

Heavy Load

- Some products must be anchored to wall to ensure stability & safety.
- It is the owner and installers responsibility to ensure that the wall type and construction is of sufficient strength to carry the loads of any wall mounted products and their contents.
- Failure of the wall and anchors to support all imposed loads may result in property damage and/or personal injury.
- Tayco can provide size and empty weight of its products only. As wall blocking is considered a building construction process, Tayco cannot provide recommendations in this respect and cannot be responsible for damage or injury that may occur as a result of improper installation and/or blocking.

Instability Hazard

Mobile items on casters such as flip top, personal and movable tables of any type and storage items of any type may present an instability hazard if not secured correctly while in use or in storage. Flip top tables or training tables of any type, are inherently more unstable when folded. Tayco provides the following guidelines & warnings when using mobile products:

- Lock casters immediately after moving. Do not leave the casters unlocked when in use or in storage.
- Motion may increase the instability of any item with casters. If the wheels hit an obstruction the table's forward momentum often causes overturn, especially if the item is not equipped with wheel extensions. Exercise strong caution while moving these items.
- Use caution when abrupt level changes in the floor are present (such as a doorway or room threshold) as caster failure or tipping may result.
- Do not stand, sit or lean on mobile items for support. They are not intended for this use and personal injury or property damage may result.
- Mobile units that feature height adjustable elements must be lowered to the minimum compressed height when moving to prevent instability. It is also recommended the user remove all computer equipment or other accessories to prevent possible weight imbalance or damage to equipment.
- Failure to follow the guidelines above may result in property damage or personal injury.

the line-up	9
general instructions	15
workspace definition	16
screen definition	18
installation sequence	22
screen post to surface	24
screens to screen post	25
end reinforcement bars to open center gable	29
shared reinforcement bars to open center gable	30
no connector reinforcement bars to workspace	31
workspace to workspace flush plate	32
flag storage installation	34
single post support	35
low credenza to workspace fixed support	36
low credenza to wide workspace fixed support	37
workspace to high credenza installation	38
reinforcement beams to workspace	39
front inset spacer to high credenza installation	40
overhead storage - attachment to dry wall with wood studs	42
credenza mounted storage to high credenza installation	44
surface mounted screen	45
trough mounted modesty screen	46
wire management trough to surface	47
power pole installation	48
trough mounted communication box installation	50
trough mounted power box installation	51

pedestal



F-FPBF



F-FPFF



F-FPLO



F-FPLS (cushion)

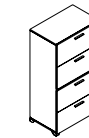
lateral



2H Lateral



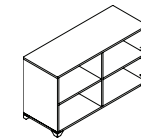
3H Lateral



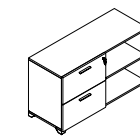
4H Lateral

credenza

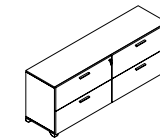
high credenza



open credenza

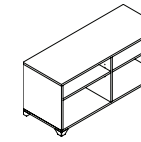


Combo credenza

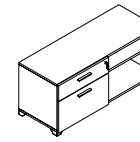


enclosed credenza

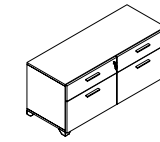
low credenza



open credenza



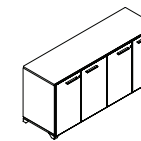
Combo credenza



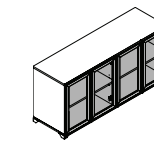
enclosed credenza

cabinet

4 door cabinet

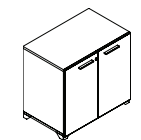


Laminate door

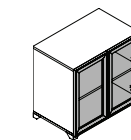


acrylic door

2 door cabinet

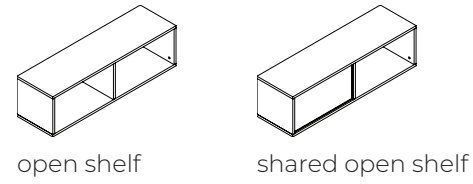


Laminate door



acrylic door

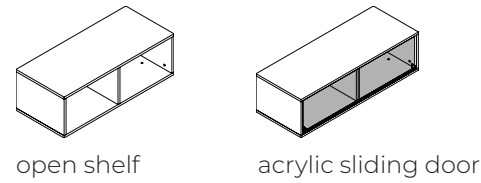
Flag storage



open shelf shared open shelf

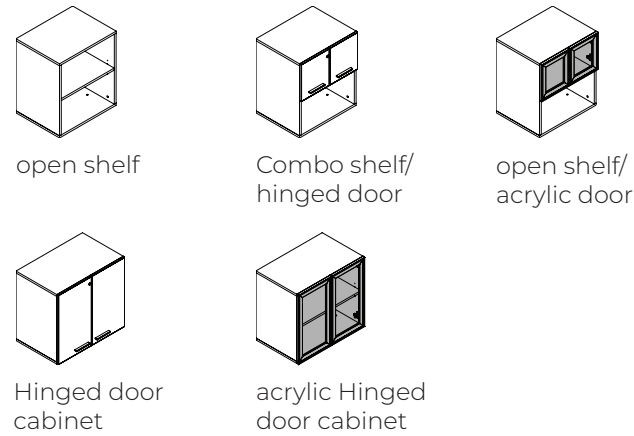
Credenza Mount storage

single level



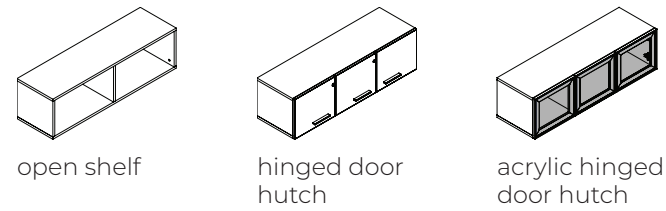
open shelf acrylic sliding door

double level



open shelf
Combo shelf/
hinged door
open shelf/
acrylic door
Hinged door
cabinet
acrylic Hinged
door cabinet

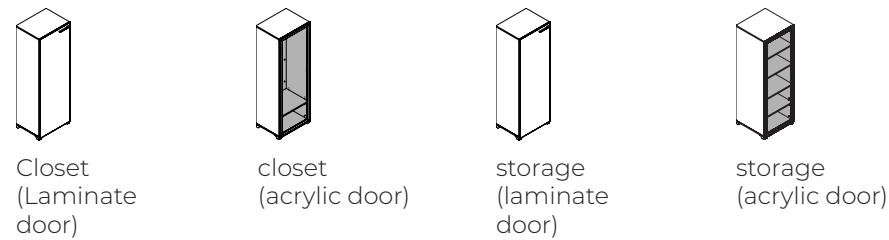
Wall mount storage



open shelf hinged door hutch acrylic hinged door hutch

Tower

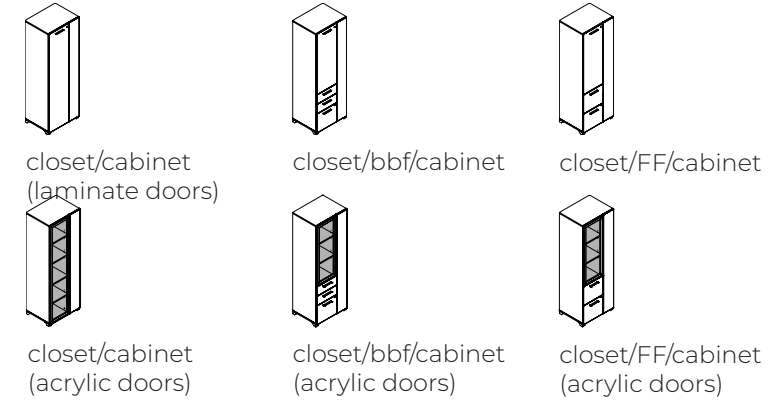
individual storage



Closet (Laminate door) closet (acrylic door) storage (laminated door) storage (acrylic door)

tower - cont'd

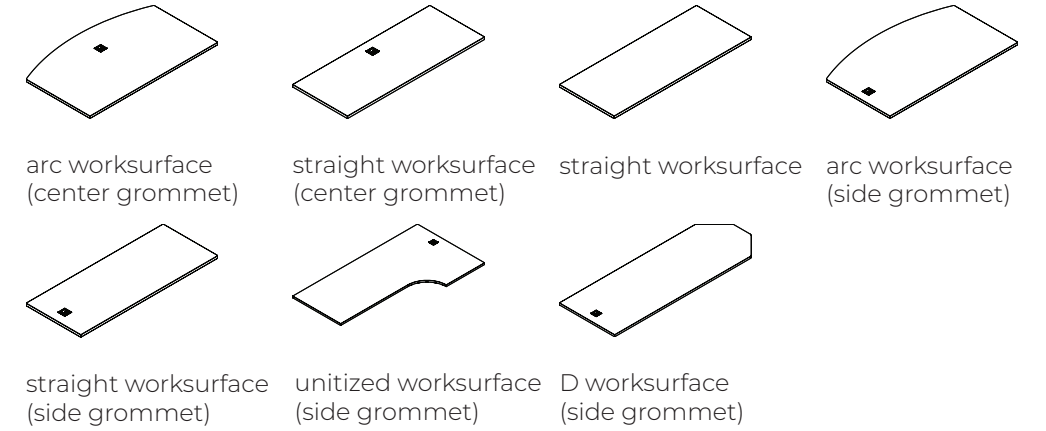
combo storage



closet/cabinet (laminated doors) closet/bbf/cabinet closet/FF/cabinet
closet/cabinet (acrylic doors) closet/bbf/cabinet (acrylic doors) closet/FF/cabinet (acrylic doors)

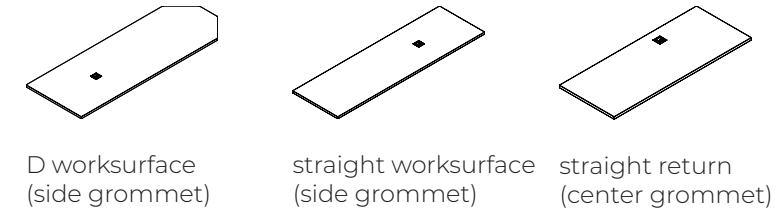
surface

surface type 1



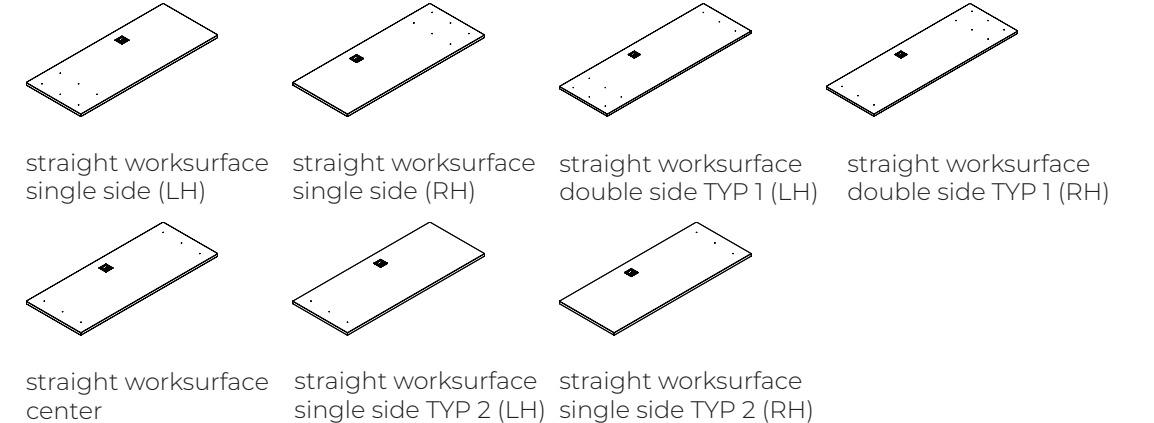
arc worksurface (center grommet) straight worksurface (center grommet) straight worksurface (side grommet) arc worksurface (side grommet)
straight worksurface (side grommet) unitized worksurface (side grommet) D worksurface (side grommet)

credenza mounted



D worksurface (side grommet) straight worksurface (side grommet) straight return (center grommet)

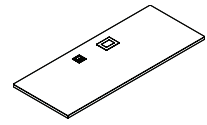
flag surface



straight worksurface single side (LH) straight worksurface single side (RH) straight worksurface double side TYP 1 (LH) straight worksurface double side TYP 1 (RH)
straight worksurface center straight worksurface single side TYP 2 (LH) straight worksurface single side TYP 2 (RH)

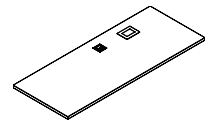
surface with power grommet

surface type 1



straight desk
(center grommet)

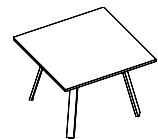
credenza mounted



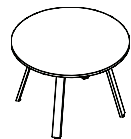
straight return
(center grommet w/ spacer)

table

freestanding table

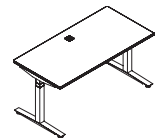


square table



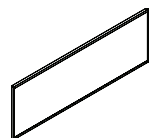
round table

height adjustable table

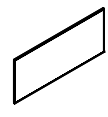


straight table

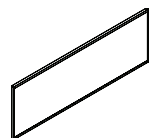
post mounted privacy screen



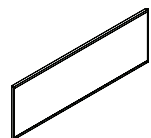
Solid screen



Acrylic screen

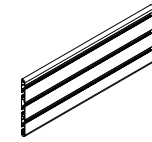


Fabric/Tackboard
screen



whiteboard
screen

screen components



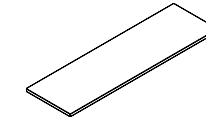
accessory rail



post

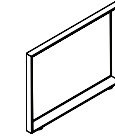
support

spacer support

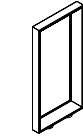


Spacer- front insert
(single sided)

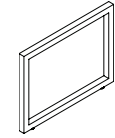
gable/leg support



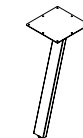
end gable



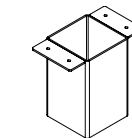
flag storage gable



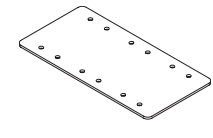
center gable



single support post

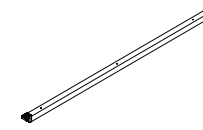


low credenza support

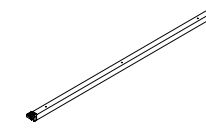


mending plate

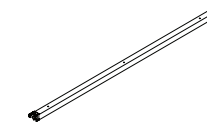
reinforcement bar



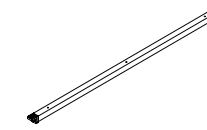
end to end



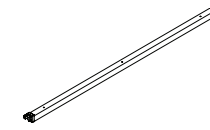
end to share



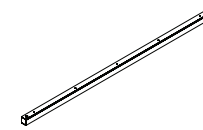
share to share



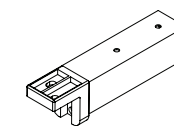
end / no
connection



shared / no
connection

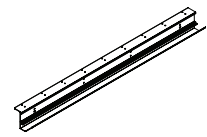


no connection

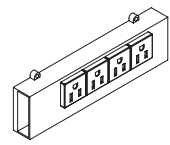


short beam

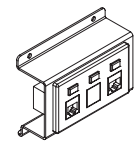
electrics



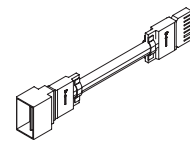
wire trough



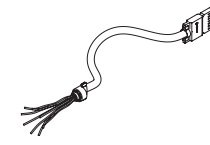
trough Mounted receptacle



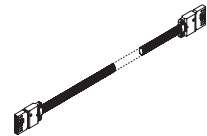
trough Mounted data box



splitter



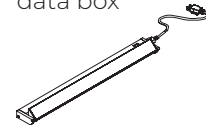
starter



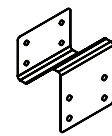
connector harness



power pole

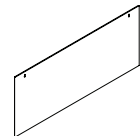


task light

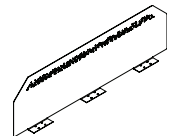


power pole bracket

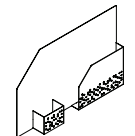
accessory



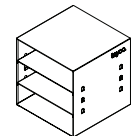
trough mount modesty



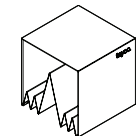
surface mount metal screen



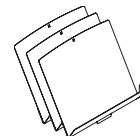
accessory screen



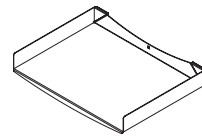
storage cube (shelf)



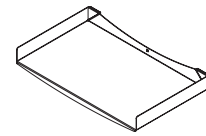
storage cube (sorter)



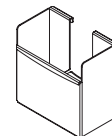
paper sorter



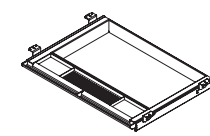
letter size tray



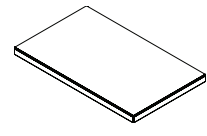
legal size tray



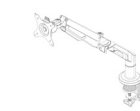
pen holder



Pencil drawer



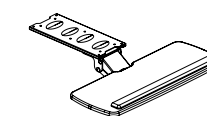
credenza cushion



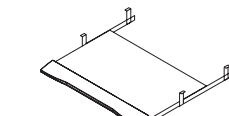
monitor arm single mount



monitor arm double mount



adj keyboard straight



retractable keyboard

general instructions

installation checklist

Perform a site inspection prior to the installation date to check existing site conditions and identify constraints and limitations that could possibly cause delays or problems during the actual installation.

Site Accessibility

1. Verify existing loading facilities and proximity of loading dock to staging area.
2. Verify if receiving area is accessible by trailer.
3. Verify access to service elevators.
4. Reserve service elevators in advance, if necessary.

Site Preparation

1. Clear all obstacles that could interfere with the installation process.
2. When doing a reconfiguration, ensure that all furniture to be re-used is clear of computers, accessories, books, papers and all personal effects.
3. Ensure that all live wires and data/communications wires are disconnected prior to installation.

Furniture Plans

1. Labeled furniture plans for installation purposes are located in the hardware box. Ensure that drawings are complete and handy before beginning installation.

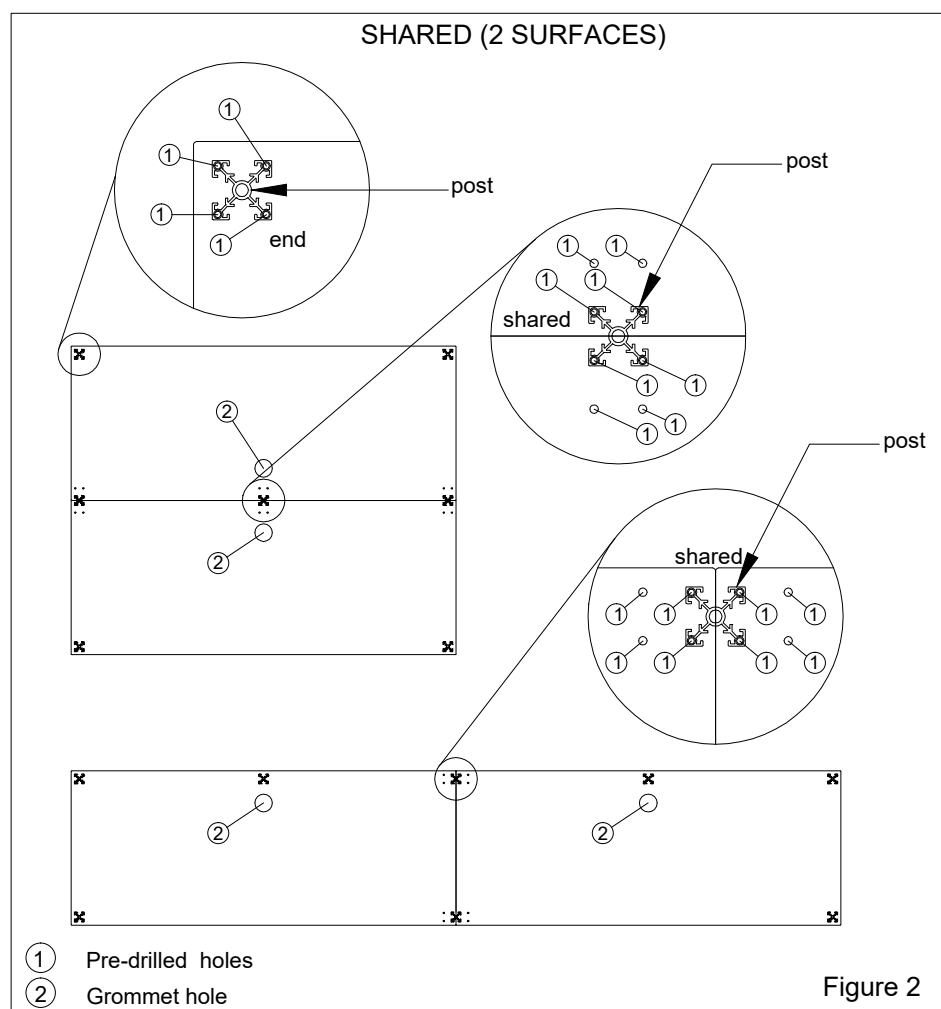
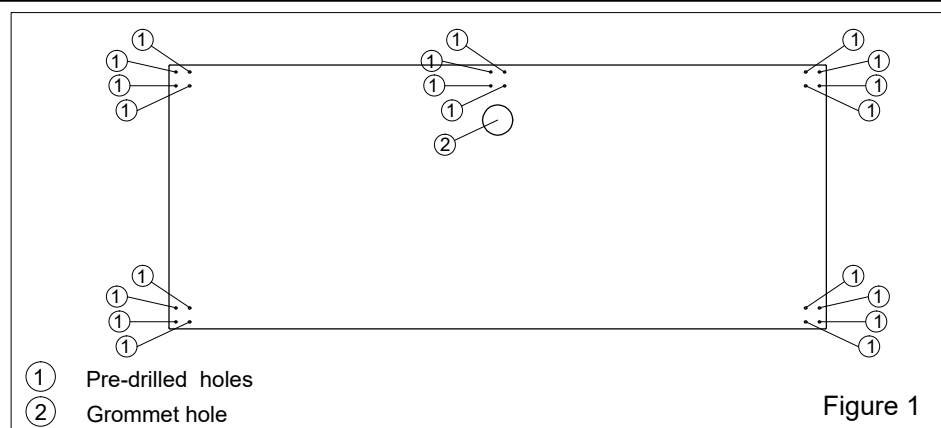
Waste Management

1. Establish a trash removal area separate from the product staging area.

workspace definition

workspace definition

1. Pre-drilled locations, Figure 1.
2. Figure 2 shows how to position the post on two shared surfaces.

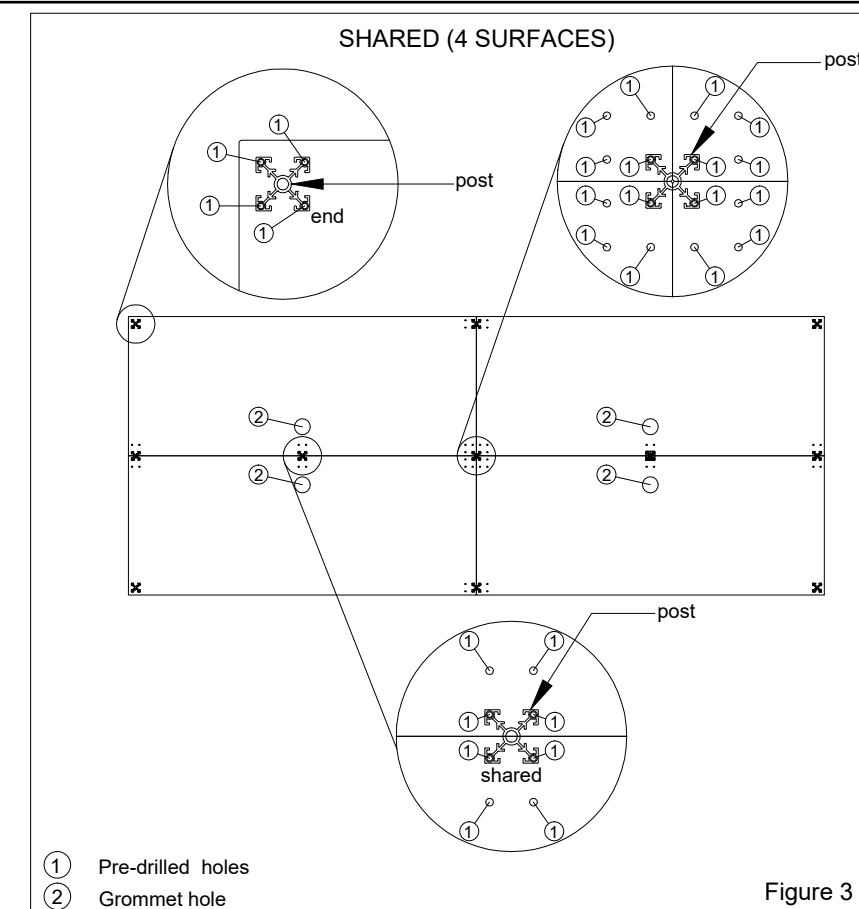


IMPORTANT NOTES:

- Do not drill all the pre-drilled holes, drill only where required as per furniture layout configuration.
- Check the layout for post positioning.

workspace definition (cont'd)

3. Figure 3 shows how to position the posts on 4 shared surfaces.



IMPORTANT NOTES:

- Do not drill all the pre-drilled holes, drill only where required as per furniture layout configuration.
- Check the layout for post positioning.

screen definition

screen definition

END TO END, Figure 1

- 1. Post
- 2. Privacy Screens
- 3. Worksurface

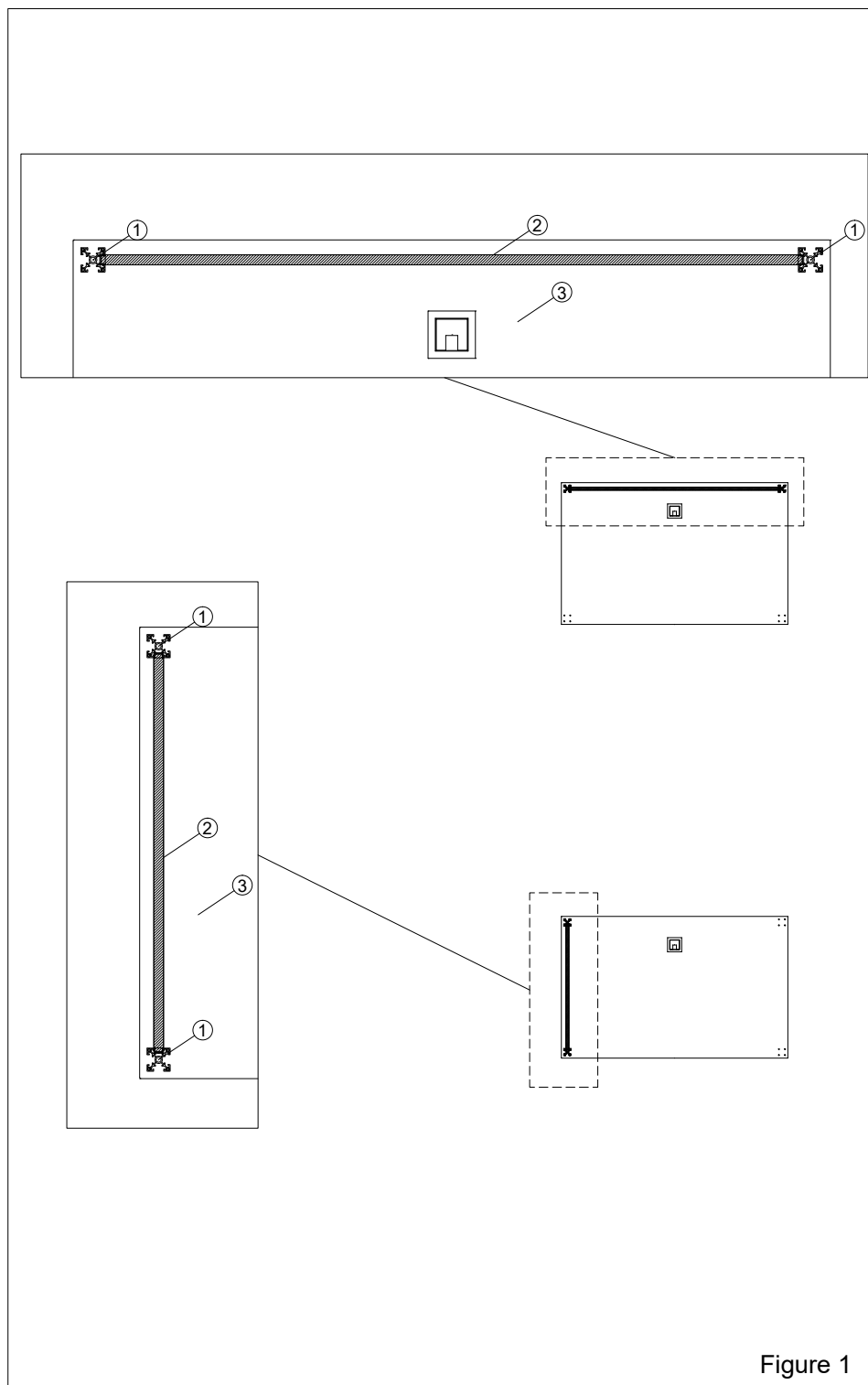


Figure 1

screen definition (cont'd)

END TO SHARED, Figure 2

- 1. Post
- 2. Privacy Screens
- 3. Worksurface

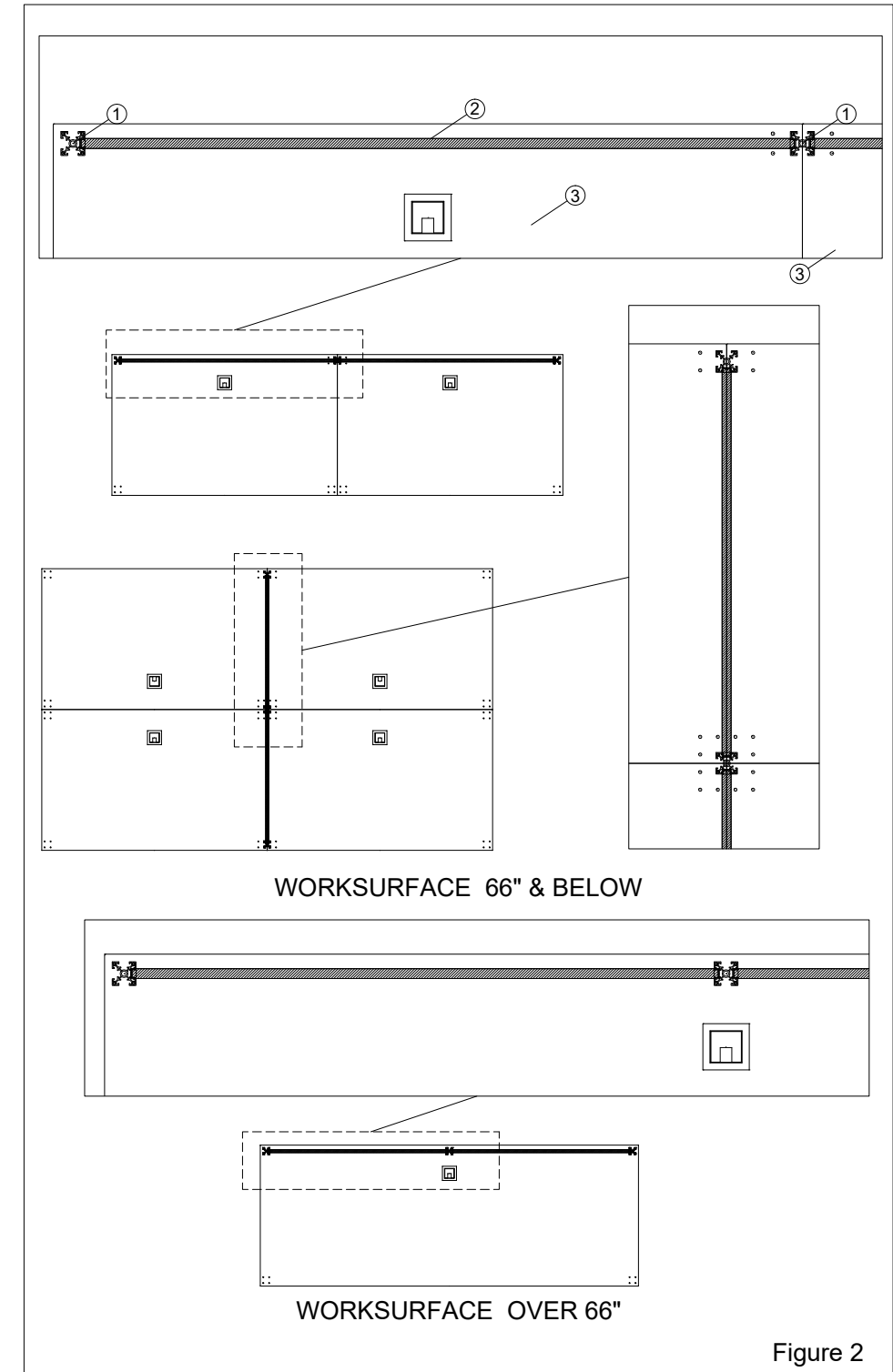


Figure 2

screen definition (cont'd)

GLAZED SCREEN

1. Screen extrusion
2. Acrylic glazing
3. Screen gasket
4. Post cap
5. Post

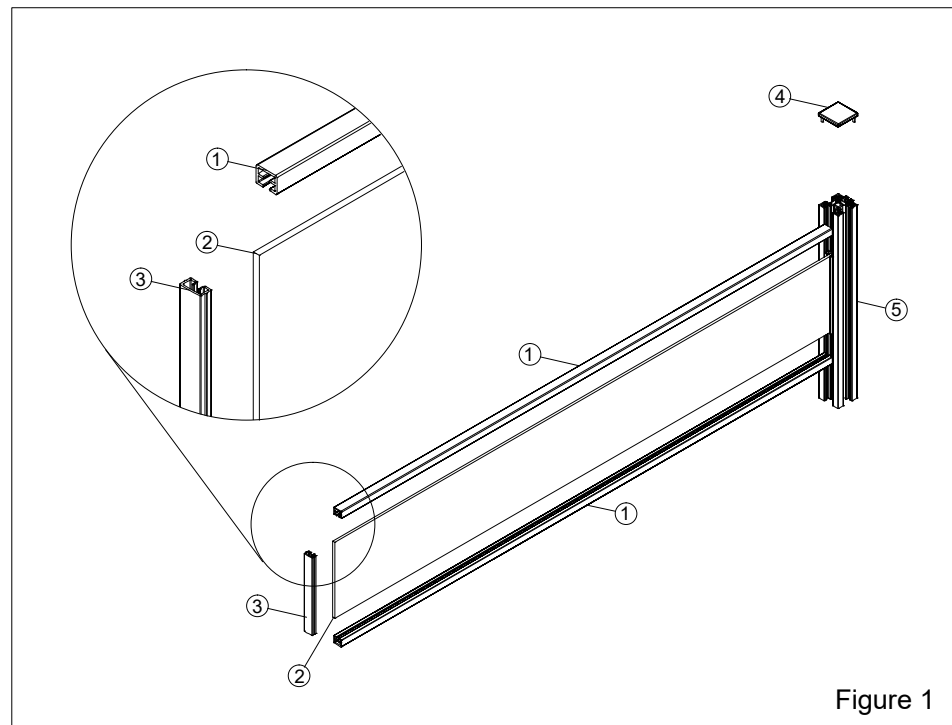


Figure 1

TACKBOARD/FELT/WHITEBOARD/ MELAMINE SCREEN

1. Screen extrusion
2. Tackboard/Felt/Whiteboard/
Melamine screen
3. Screen gasket
4. Post cap
5. Post

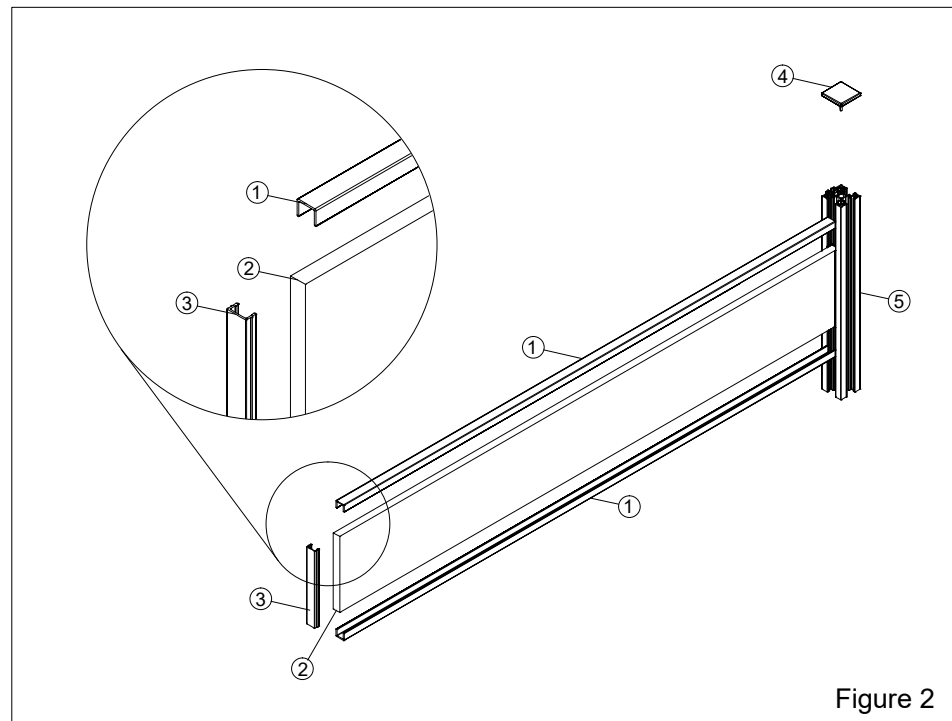


Figure 2

screen definition

ACCESSORY SCREEN

1. Accessory screen
2. Post
3. Post cap

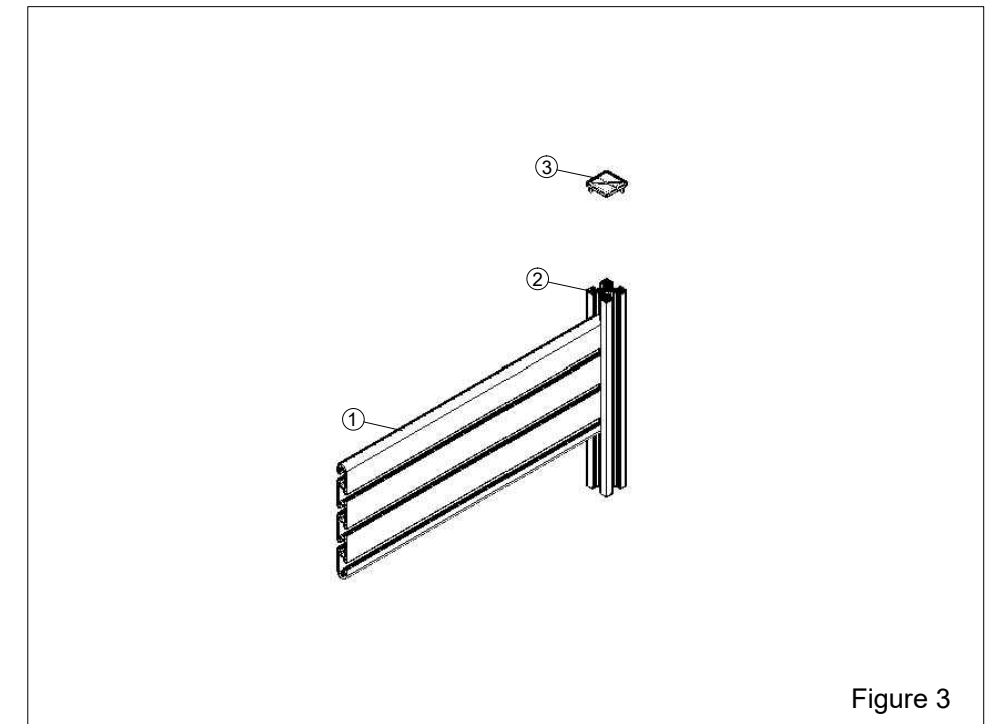


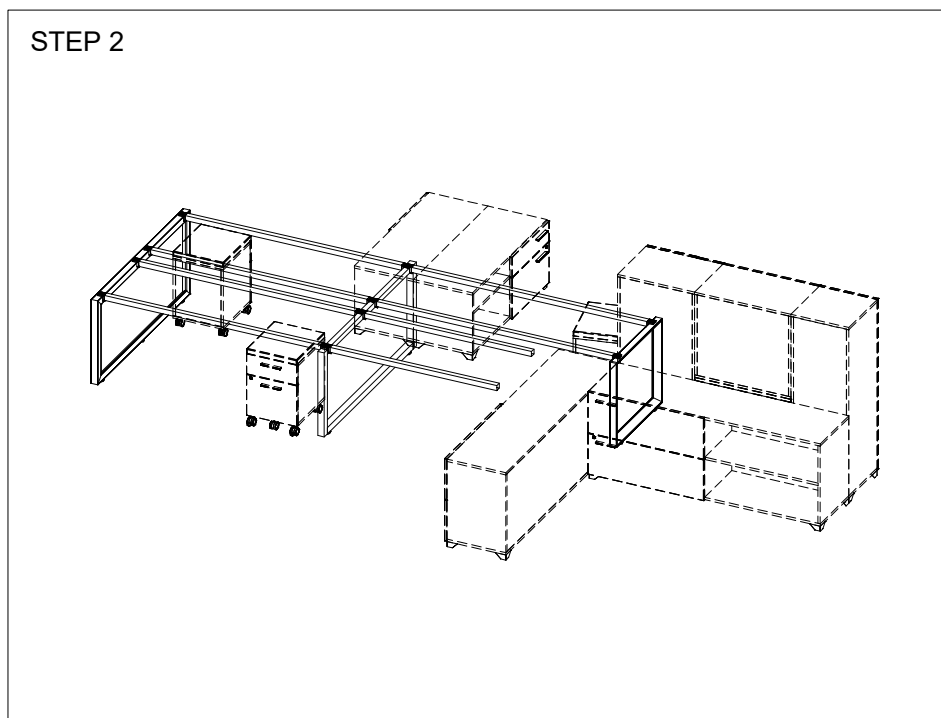
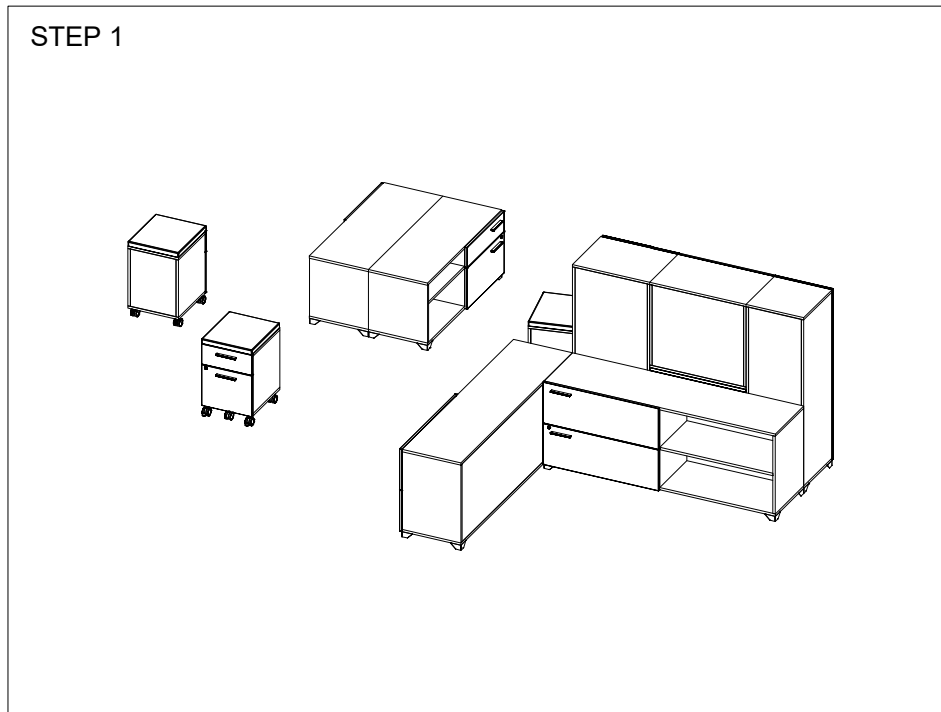
Figure 3

installation sequence

installation sequence

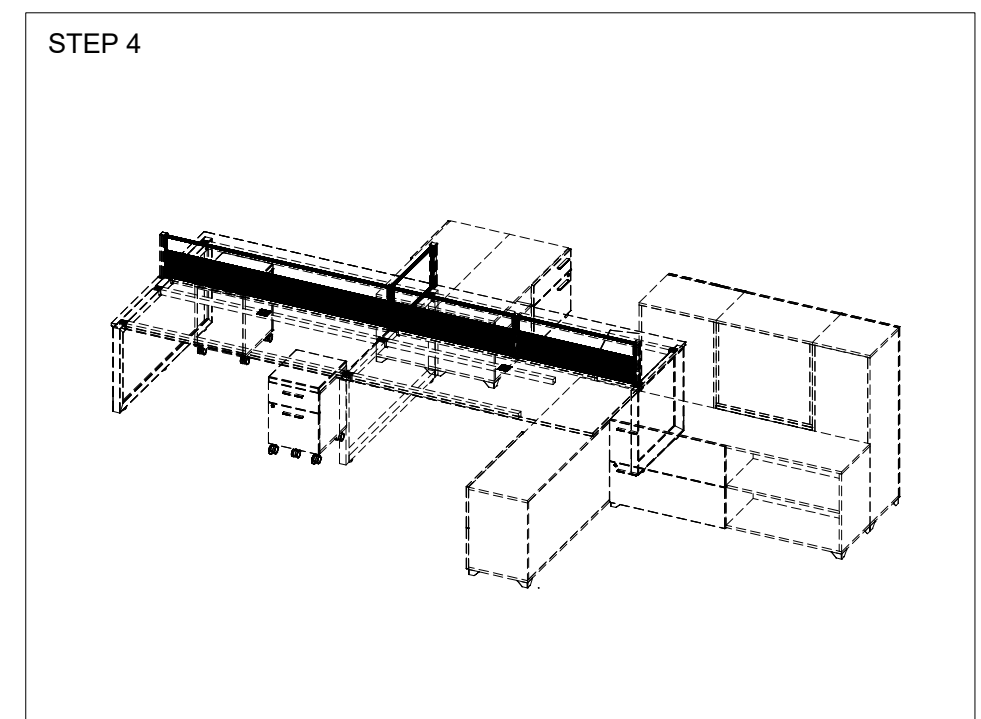
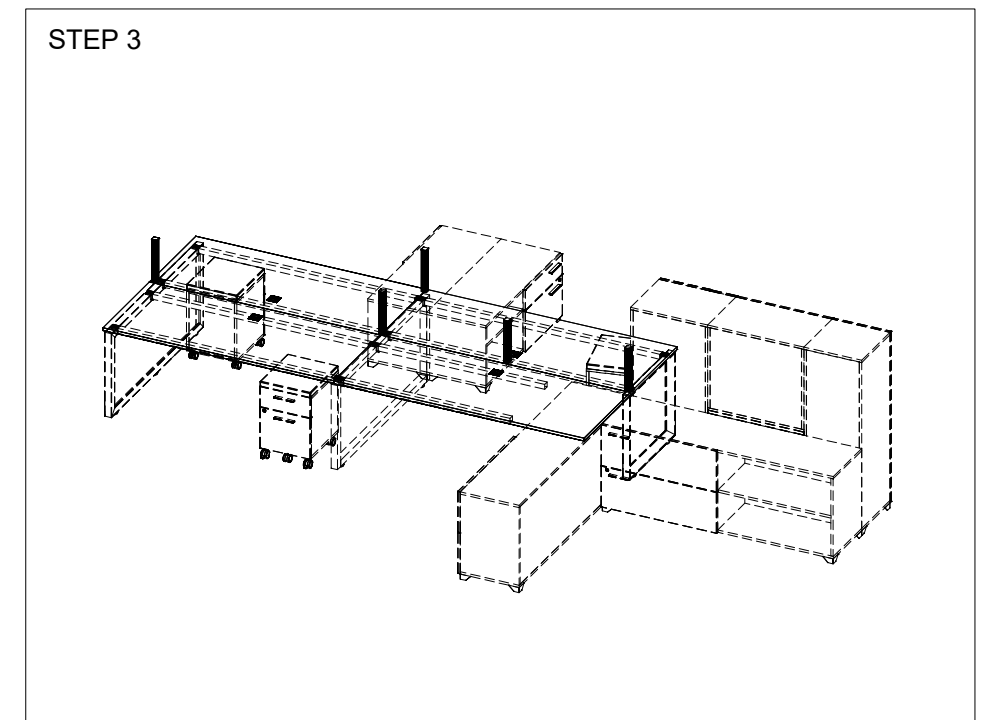
The following application guidelines provide detailed instructions for planning with the Elevation product line.

1. Position all the storages (Towers, cabinets, lateral files and cabinets).
2. Assemble all worksurface supports (gables and reinforcement bars).



installation sequence (cont'd)

3. Install the posts to the surfaces. Position all worksurfaces. Mount them to the worksurface supports or credenza.
4. Install the screens.



screen post to surface

screen post to surface

1. To install the screen post, place worksurface face down on a solid surface or floor. Place a wooden block underneath the pre-drilled holes and level the worksurface. Drill through the pre-drilled holes with a 5 mm V-point drill bit, (Figure 1).
2. Flip the worksurface and place it on top of the assembled worksurface supports or elevated surfaces with the topside facing up. Place screen post in position shown in (Figure 2). Use four screws (4) to attach the screen post to the surface.

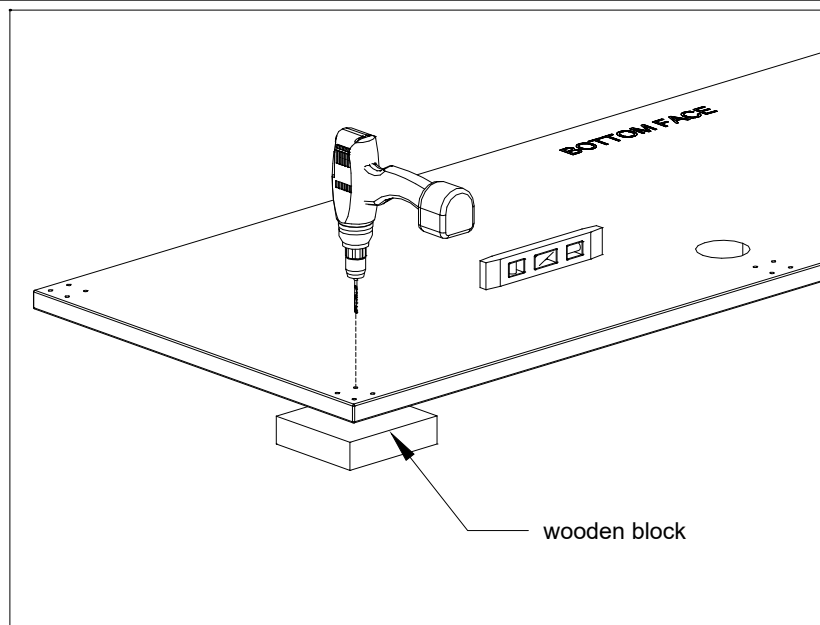


FIGURE 1

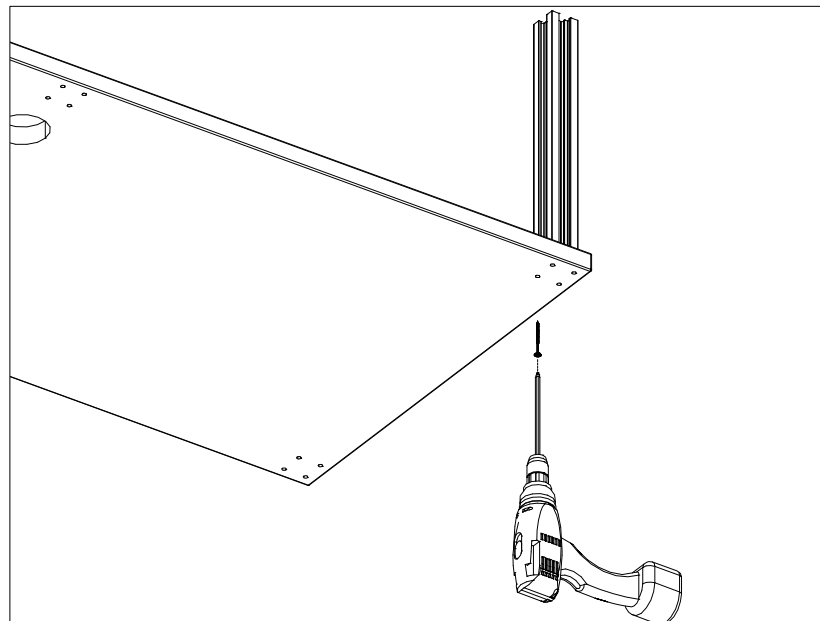
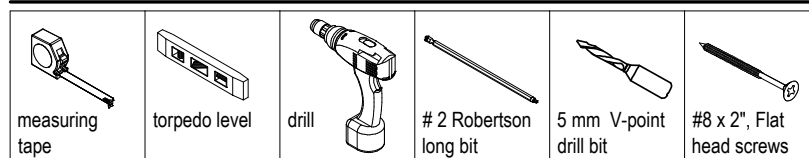


FIGURE 2

IMPORTANT NOTES:

- Do not drill all the pre-drilled holes, drill only where required as per furniture layout configuration.
- Check the layout for post positioning.

tools & hardware needed



screens to screen post

screens to screen post

1. Make sure the posts are not tightly secured to the worksurface, (Figure 1).
2. Slide the bottom screen extrusion down the screen post, (Figure 2). For felt screen installation, see "felt screen to screen post".

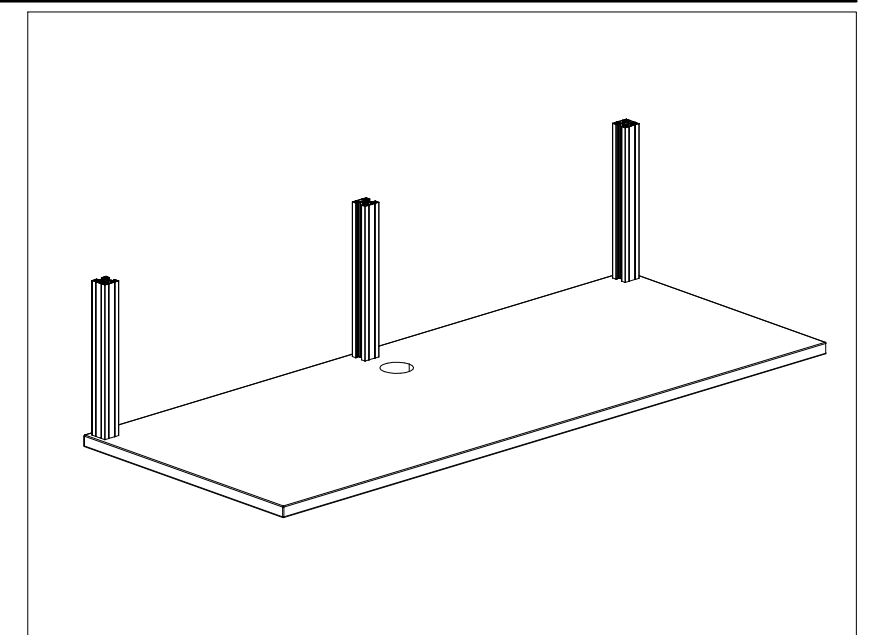


FIGURE 1

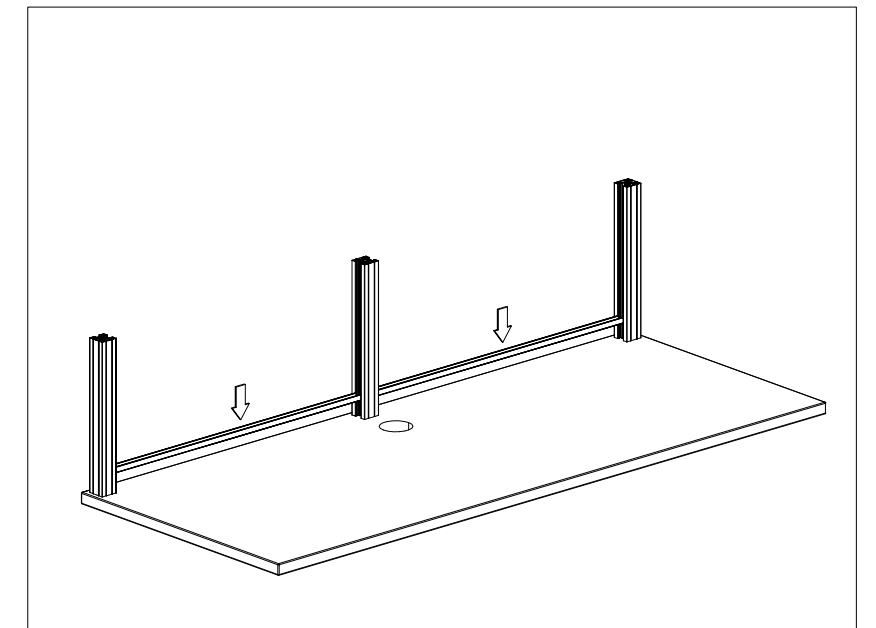
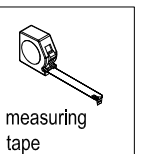


FIGURE 2

tools & hardware needed



measuring tape

screens to screen post (cont'd)

3. Insert the appropriate screen gasket into the screen post grooves, (Figure 3). Slide the gasket down the screen post until it bottoms out.
4. Slide the screen into the gaskets within the posts, (Figure 4).

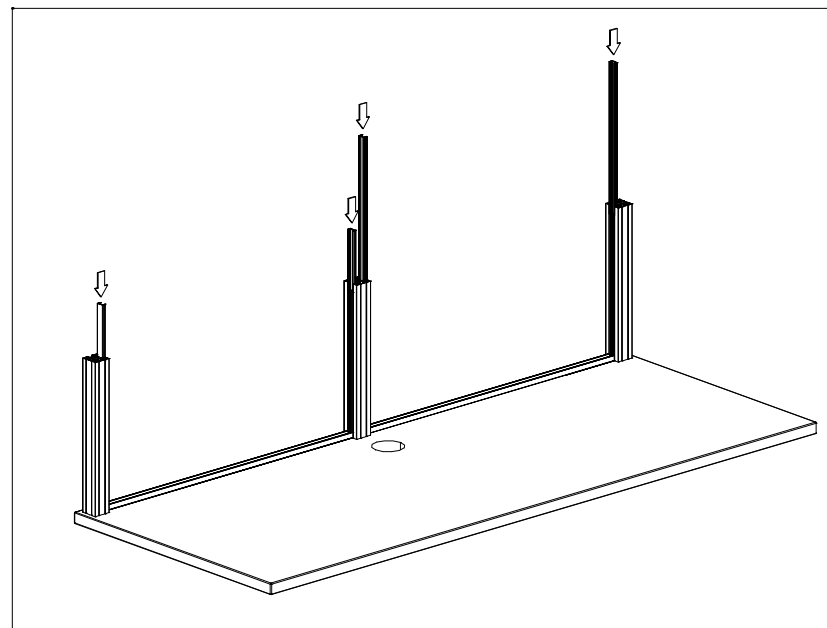


FIGURE 3

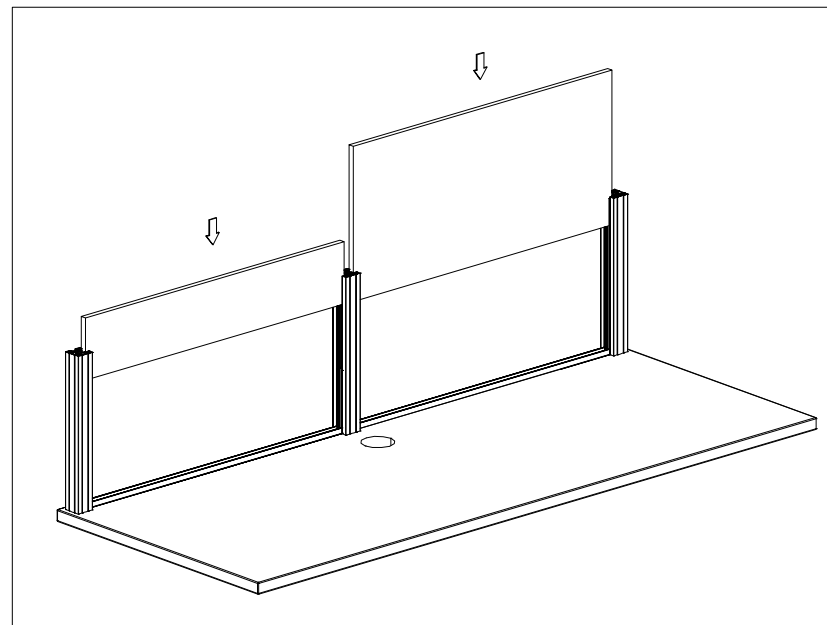
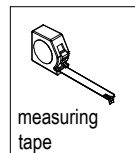


FIGURE 4

tools & hardware needed



screens to screen post (cont'd)

5. Place the top screen extrusion on top of the screen.
6. Repeat steps 3 to 5 until all screens are in position except accessory screen shown in (Figure 5).

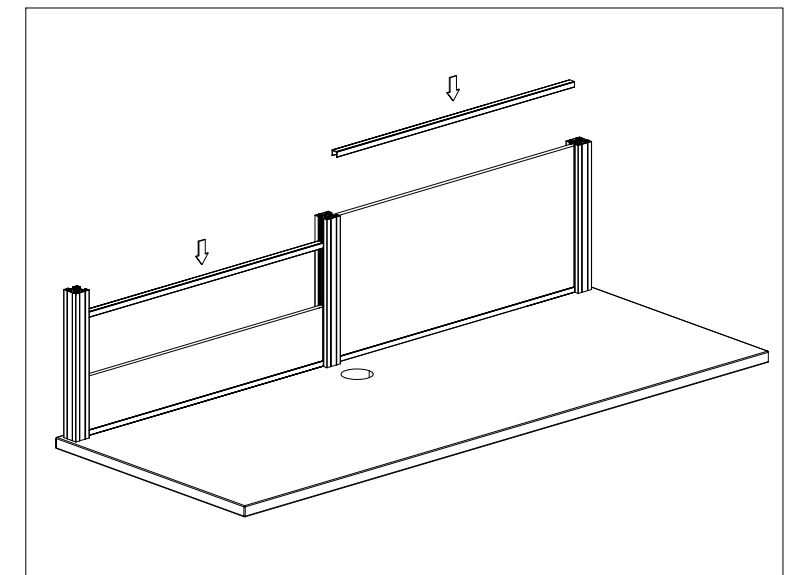


FIGURE 5

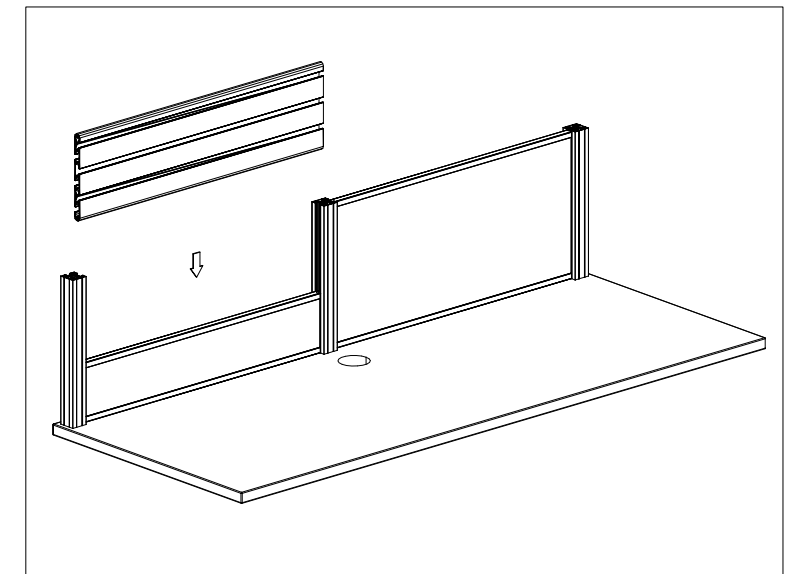
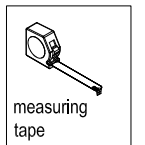


FIGURE 6

tools & hardware needed



scene 18

SEPTEMBER 2015

screens to screen post (cont'd)

- Place the post top cap shown in (Figure 7).

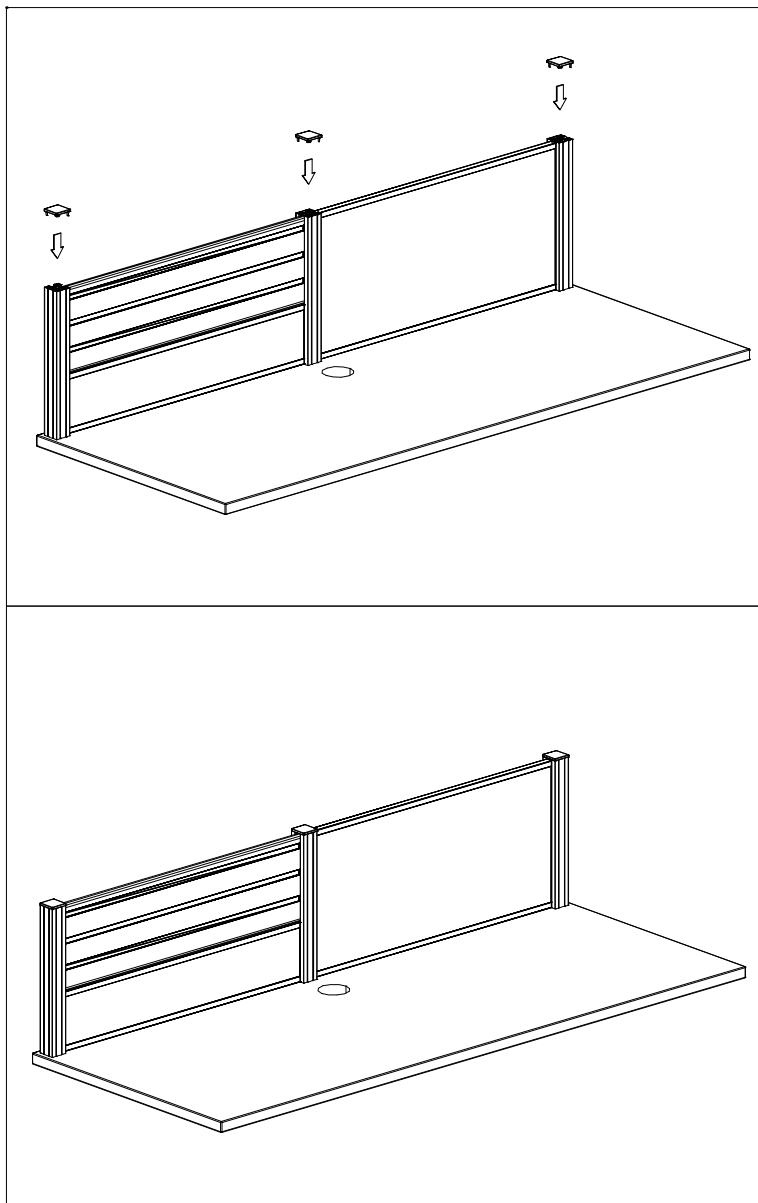
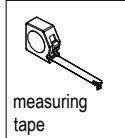


FIGURE 7

tools & hardware needed



end reinforcement bars to open center gable

- Slide the bottom extrusion sideways, (Figure 1).
- Slide the appropriate screen gasket down the felt screen, (Figure 2).

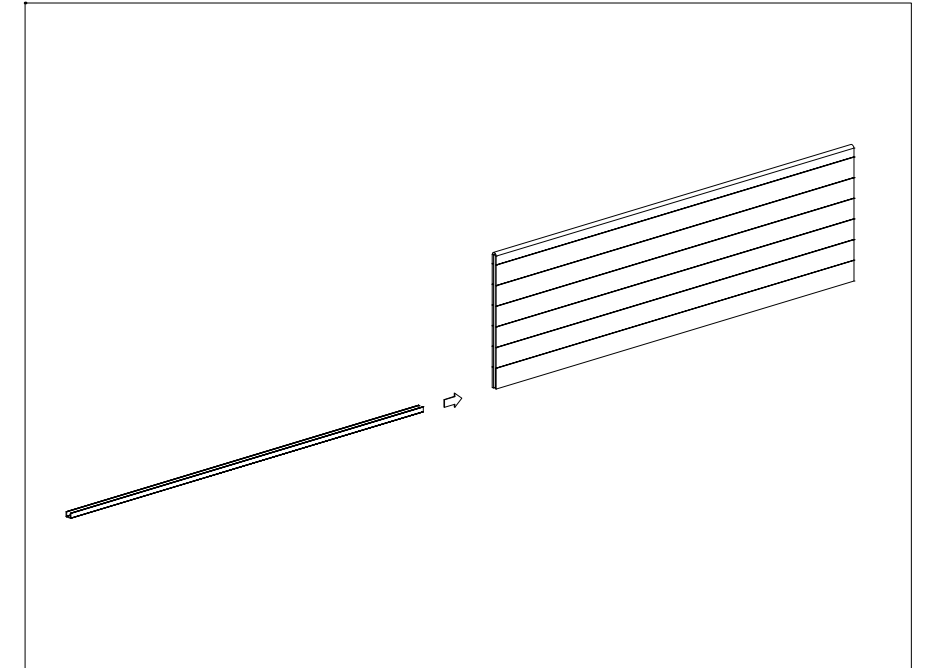


FIGURE 1

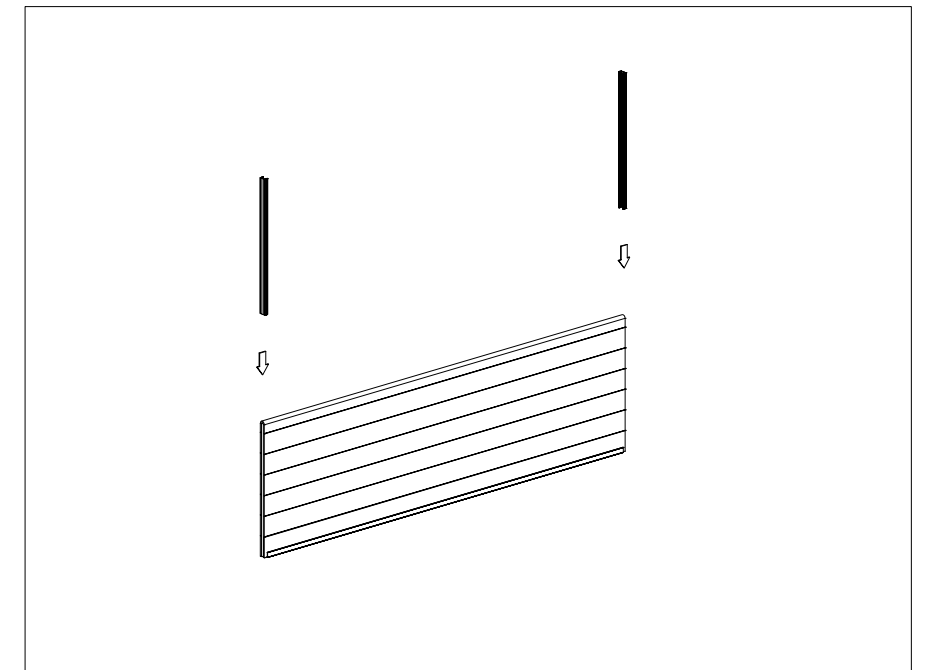
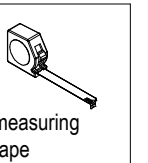


FIGURE 2

tools & hardware needed



shared reinforcement bars to open center gable

1. Ensure that the connector at the ends of the reinforcement beam is firmly attached; tighten the screws as necessary.
2. Attach the end connector to the end gable with 1/4 #20 1-inch quadrex pan head screws above, (Figure 1) and at the bottom, (Figure 2).
3. Proceed to attach the other end of the reinforcement bar to the required gable.

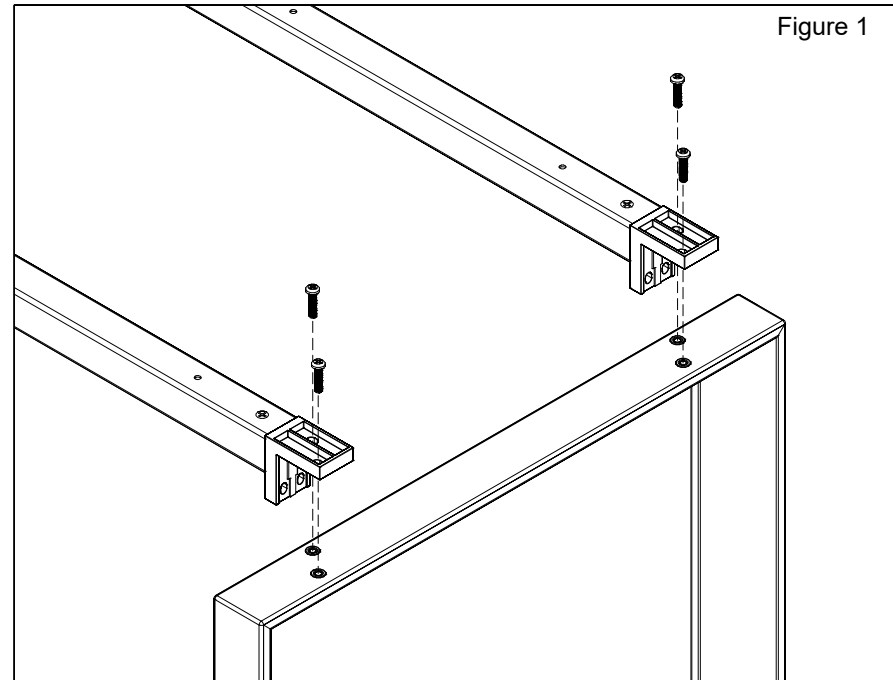


Figure 1

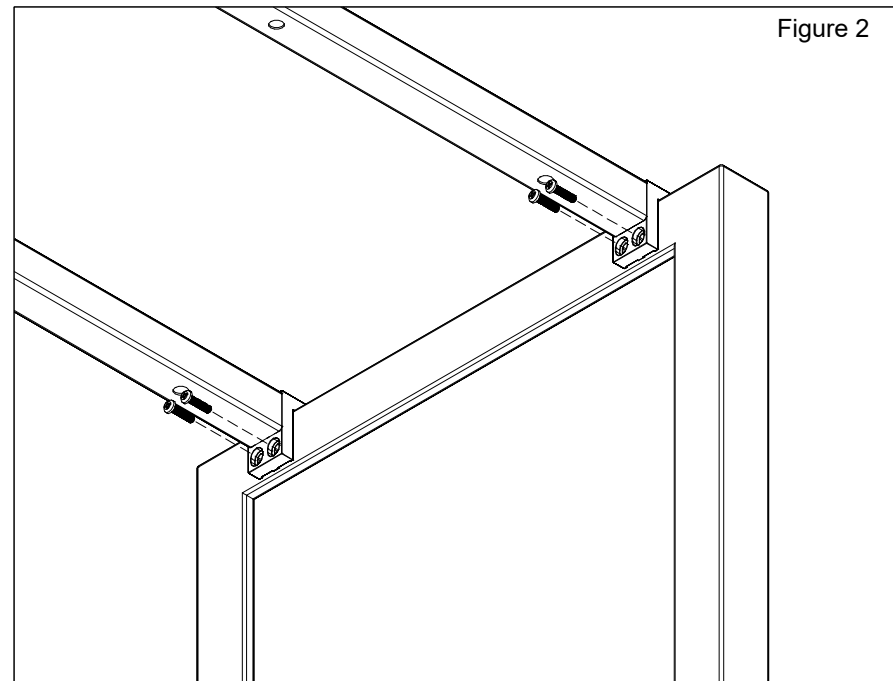
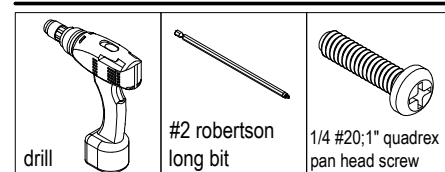


Figure 2

tools & hardware needed



no connector reinforcement bars to worksurface

1. Position the no connector reinforcement bars 3-1/16 inches from the edge of the worksurface, (Figure 1).
2. Attach the no connector reinforcement bars to the worksurface with #10; 1-inch oval head screws (Figure 2).

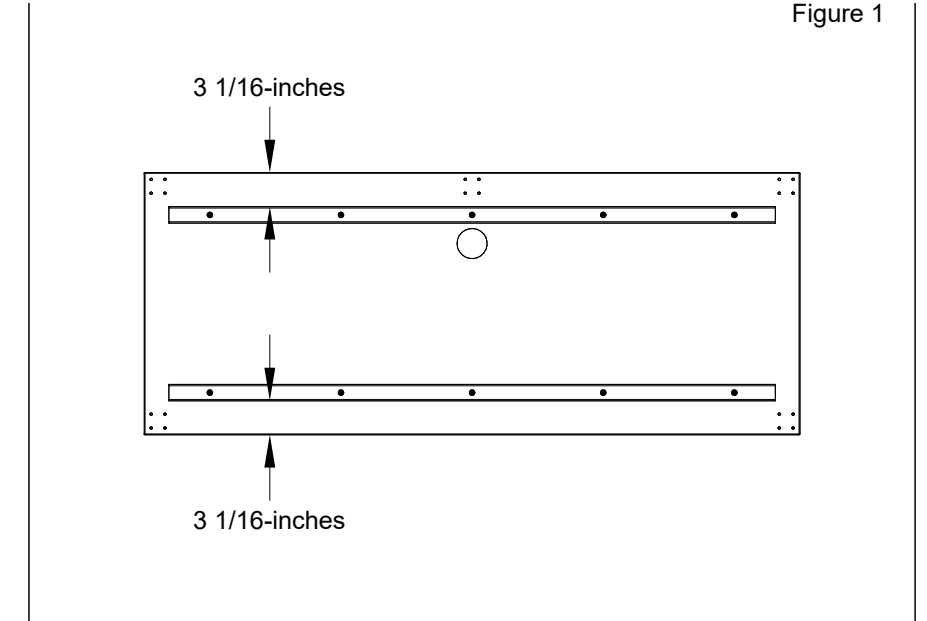


Figure 1

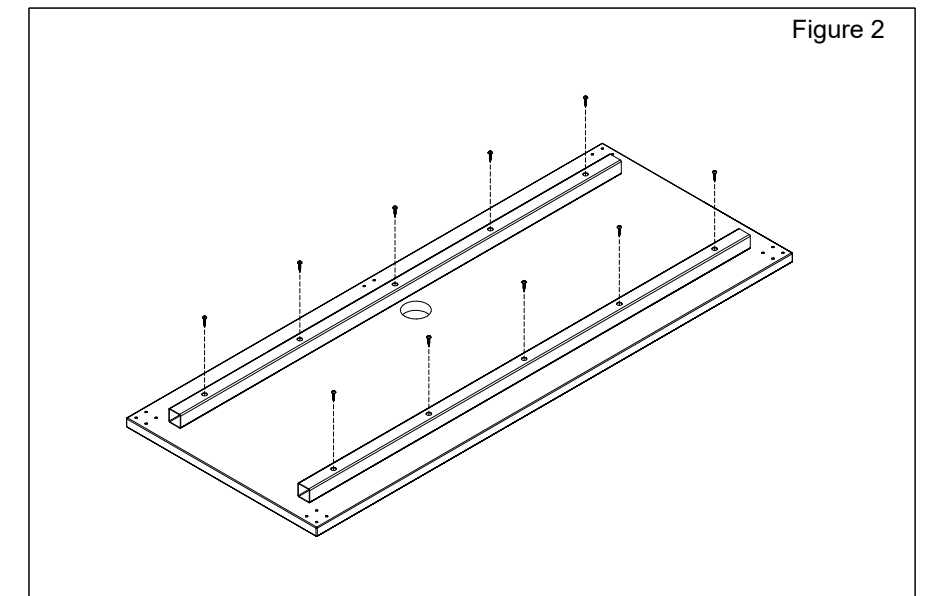
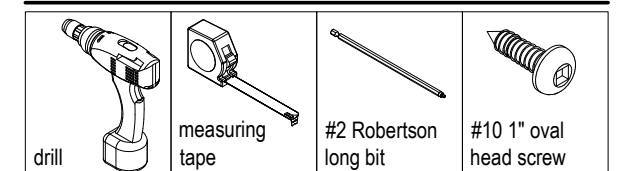


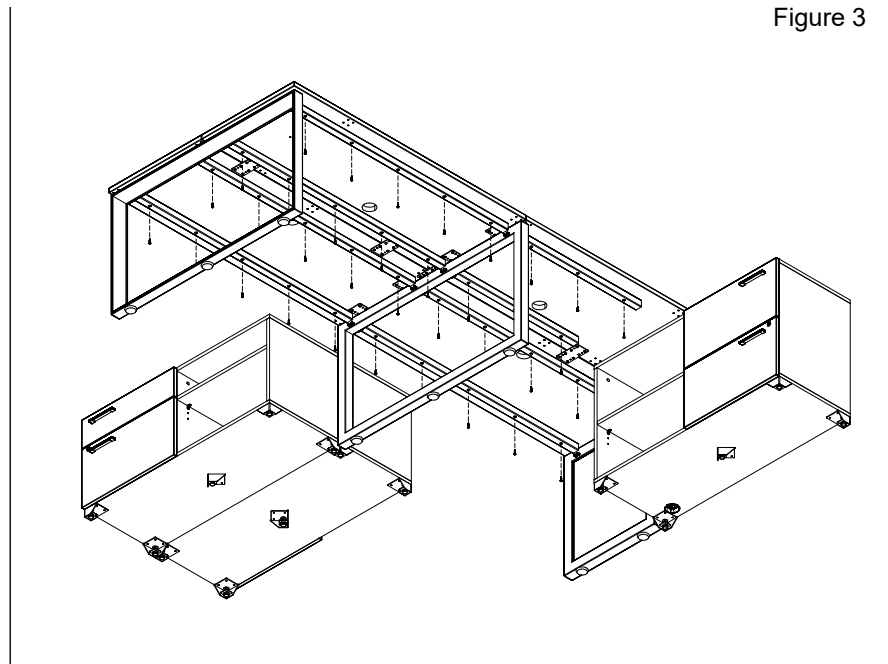
Figure 2

tools & hardware needed






worksurface to worksurface flush plate

1. With the worksurface assembled; secure the worksurface to the reinforcement beams with #10; 1-inch oval head screws, (Figure 1).

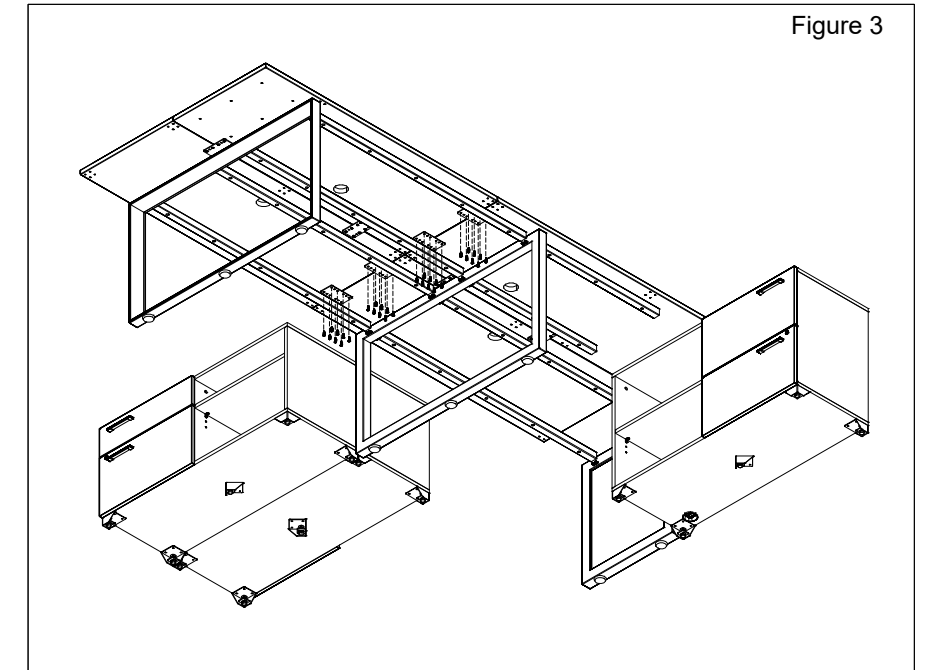


tools & hardware needed

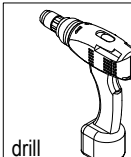
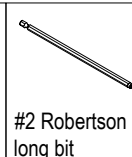
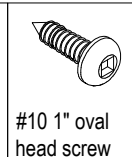
		
drill	#2 Robertson long bit	#10 1" oval head screw

worksurface to worksurface flush plate (cont.)

3. Move the worksurface to one side and secure the remaining worksurfaces with flush plates and #10; 1-inch oval head screws, (Figure 3).

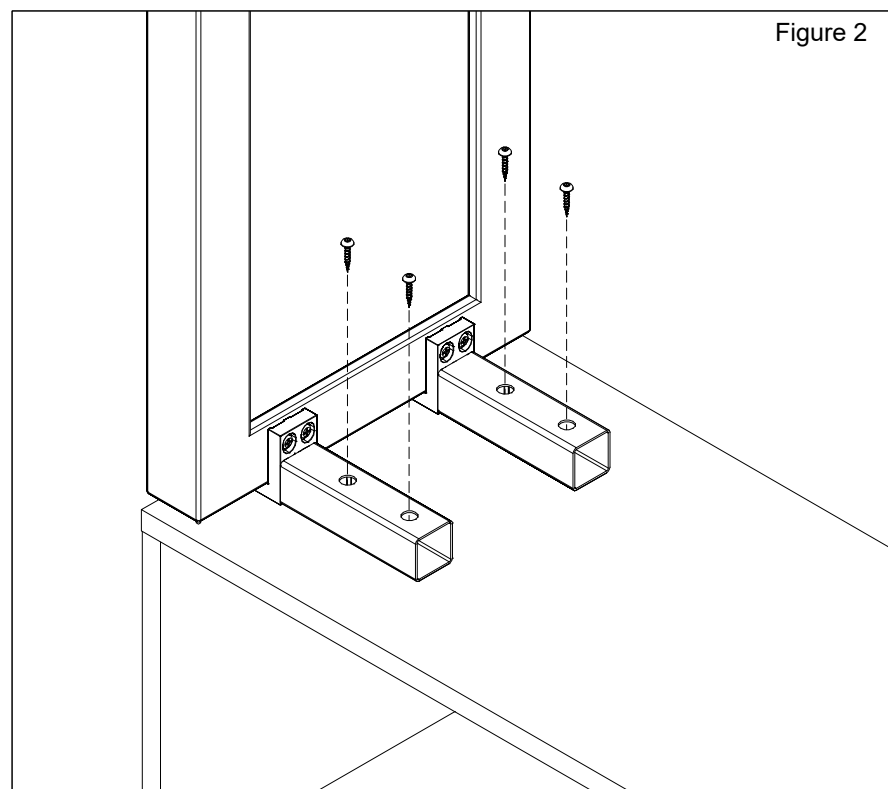
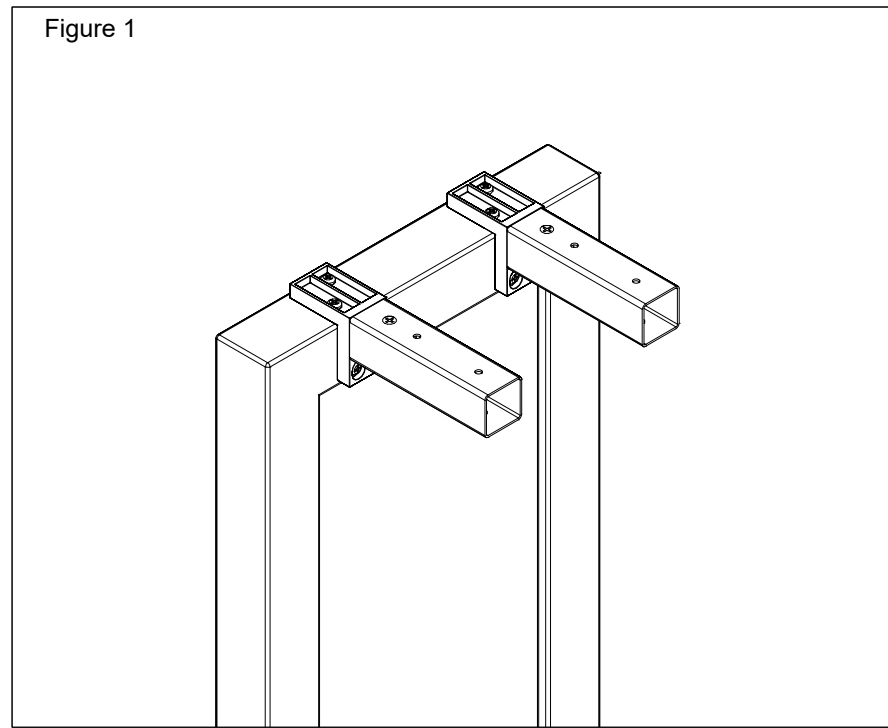


tools & hardware needed

		
drill	#2 Robertson long bit	#10 1" oval head screw

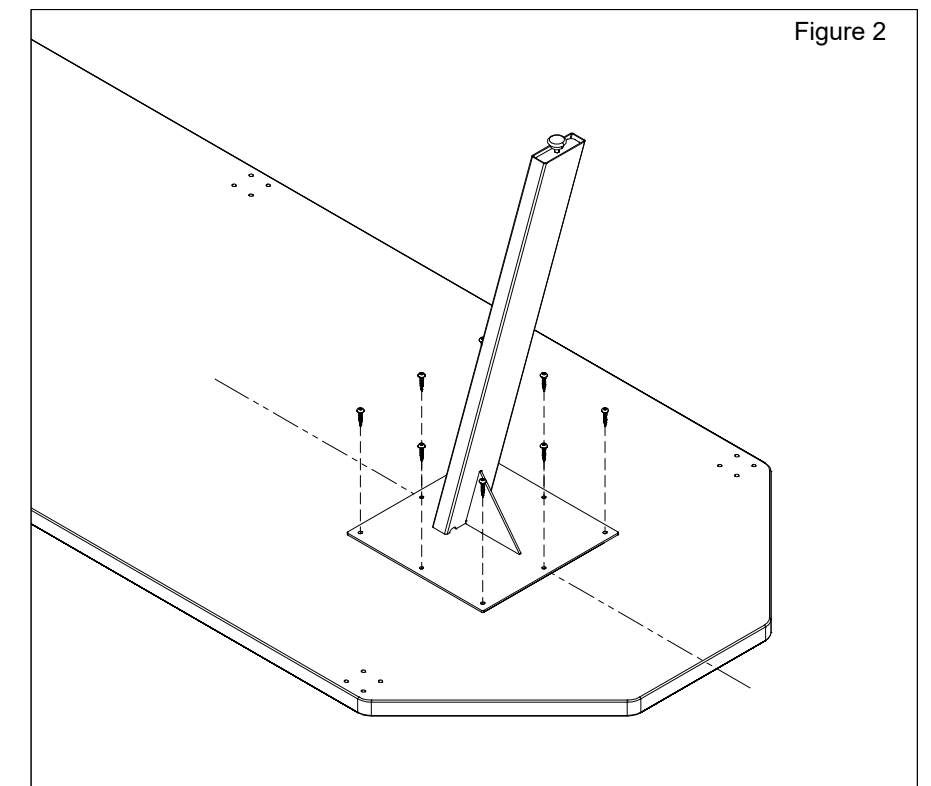
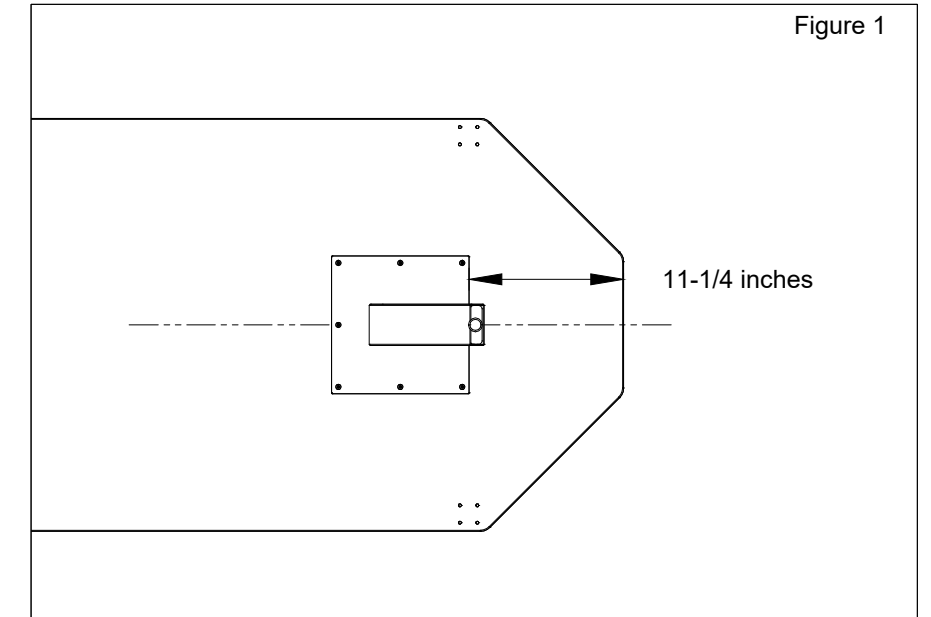
flag storage installation

1. Install the required reinforcement beam to the flag storage support; following the instructions for end reinforcement bars to open end gables, (Figure 1; short beam shown).
2. Attach the the flag storage support with reinforcement to the bottom of the flag storage with 11/16-inch oval head screws, (Figure 2).

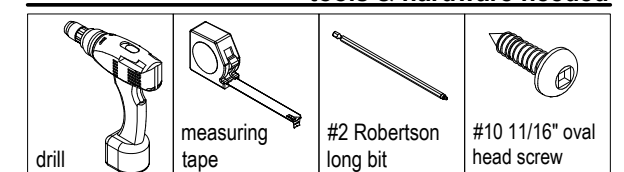


single post support

1. Position the single post support at the center of the surface and measure 11-1/4 inches from the edge of the support plate to the edge of the surface (Figure 1; D-top shown).
2. Secure the single post support with #10; 11/16-inch oval head screws, (Figure 2).

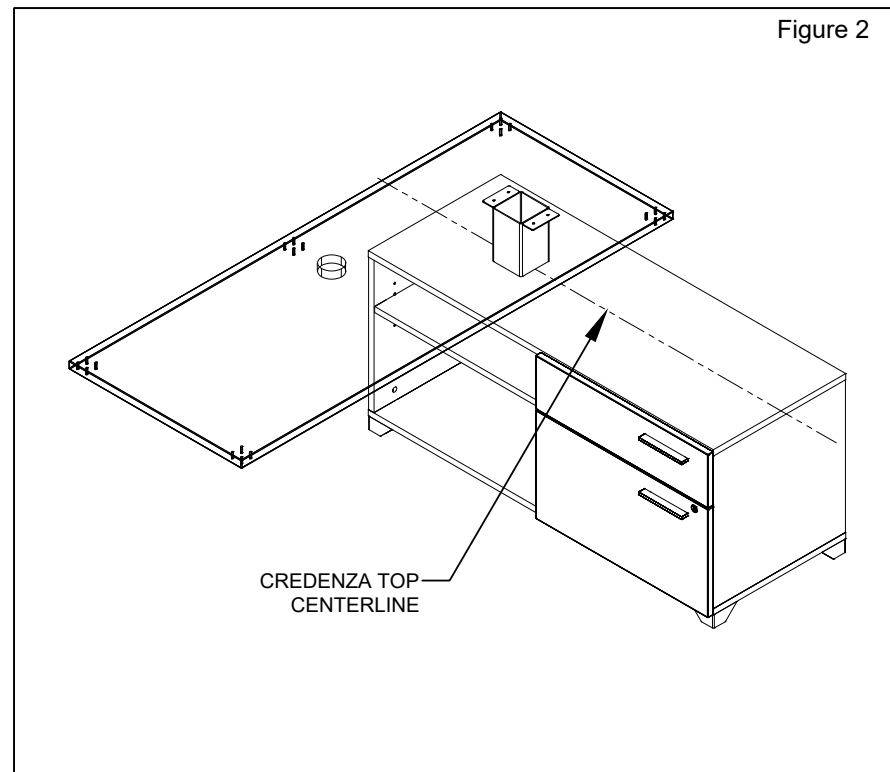
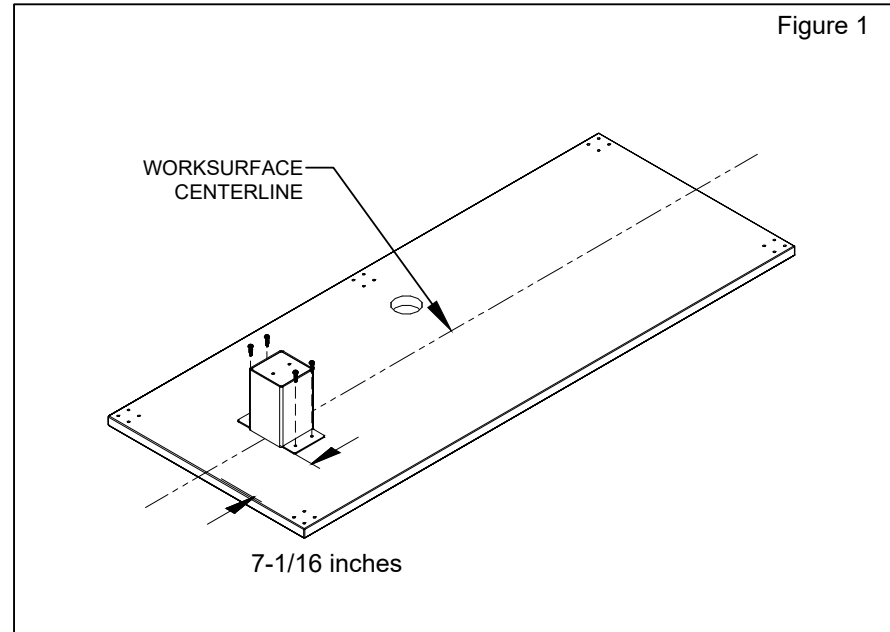


tools & hardware needed

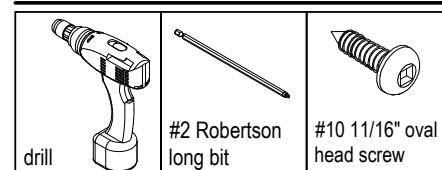


low credenza to worksurface fixed support

1. Along the center of the worksurface, install the low credenza worksurface support 7-1/16 inches from the edge of the worksurface with #10; 11/16-inch oval head screws (Figure 1).
2. Mount the worksurface above the credenza and secure the reinforcement beams to the surface (Figure 2).

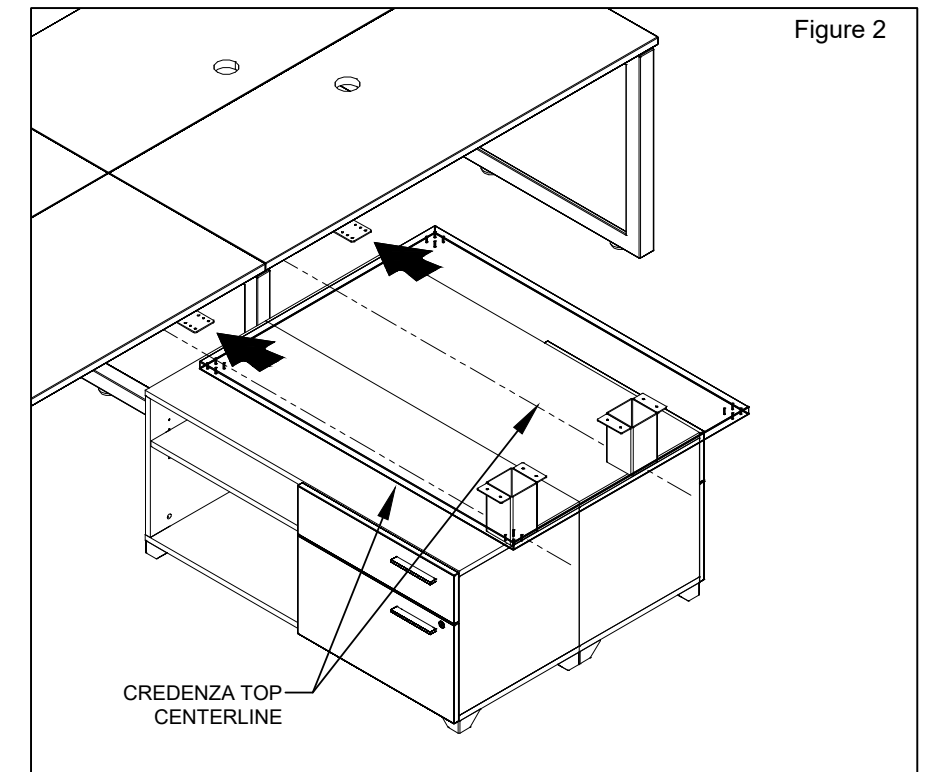
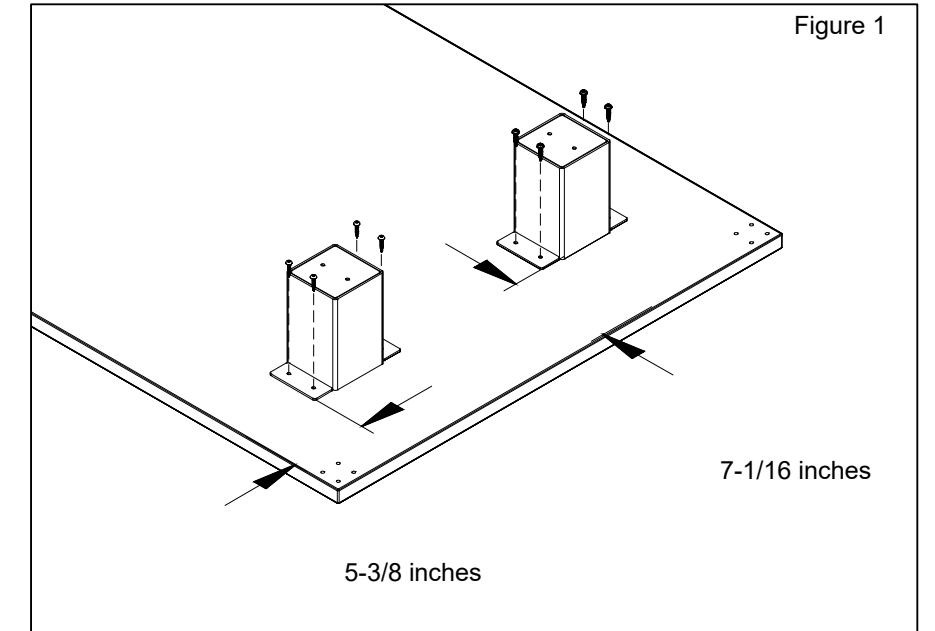


tools & hardware needed

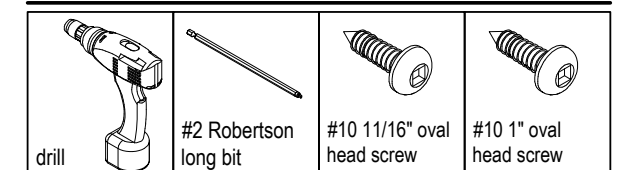


low credenza to wide worksurface fixed support

1. Install two low credenza worksurface supports 5-3/8 and 7-1/16 inches from the edge of the worksurface with #10; 11/16-inch oval head screws (Figure 1).
2. Mount the worksurface above the credenza and secure the flush plates to the surface with #10; 1-inch oval head screws (Figure 2).
3. Align the credenza to the worksurface.

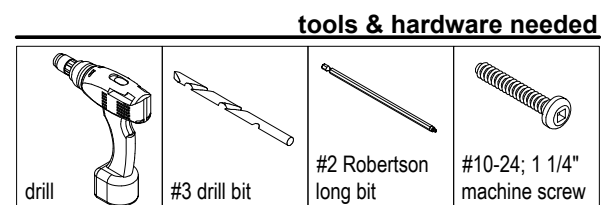
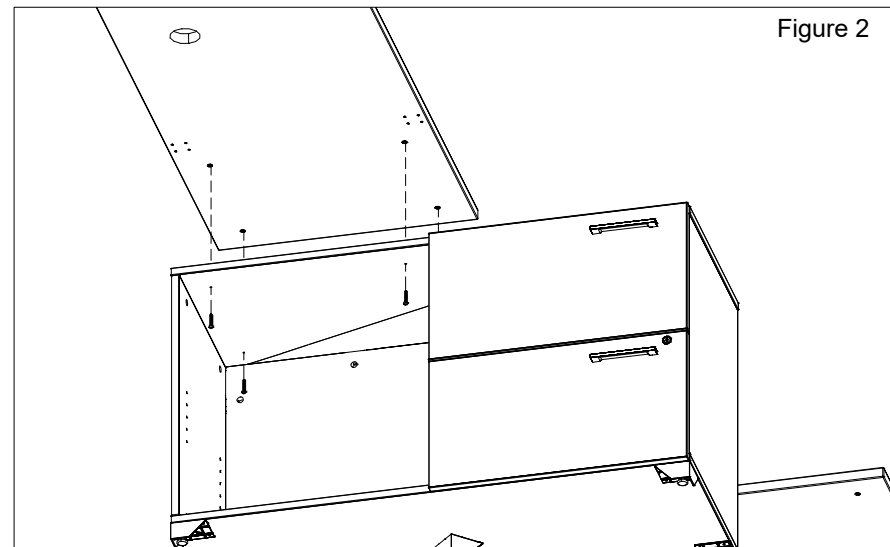
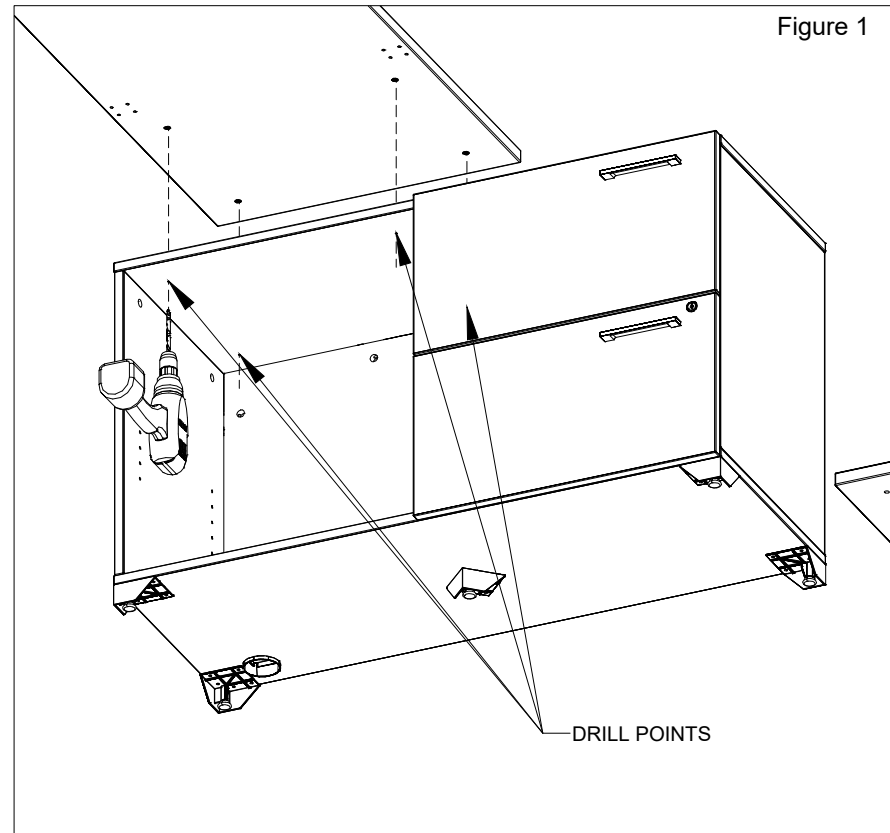


tools & hardware needed



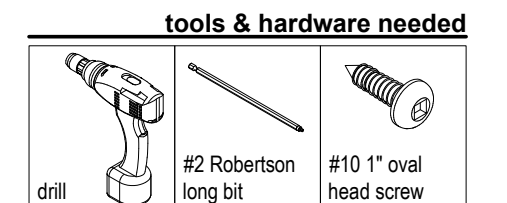
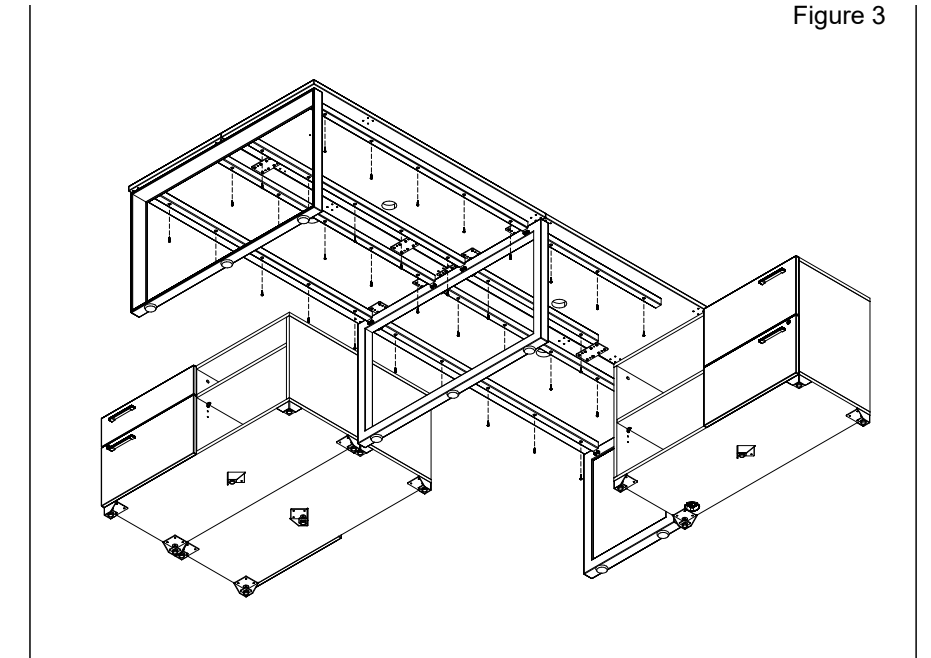
worksurface to high credenza installation

1. From the inside of the credenza, drill through the top following the corresponding drilling points to match the inserts on the required worksurface depth, (Figure 1).
2. Secure the worksurface to the high credenza with #10-24; 1-1/4 inch machine screws, (Figure 2).



reinforcement beams to worksurface

1. With the worksurface assembled; secure the worksurface to the reinforcement beams with #10; 1-inch oval head screws, (Figure 1).



front inset spacer to high credenza installation

1. Remove the drawers from the credenza by disengaging the safety lock on the sides of the drawer, (Figure 1).
2. From the inside of the credenza, drill through the top following the corresponding drilling points to match the required worksurface spacer, (Figure 2).

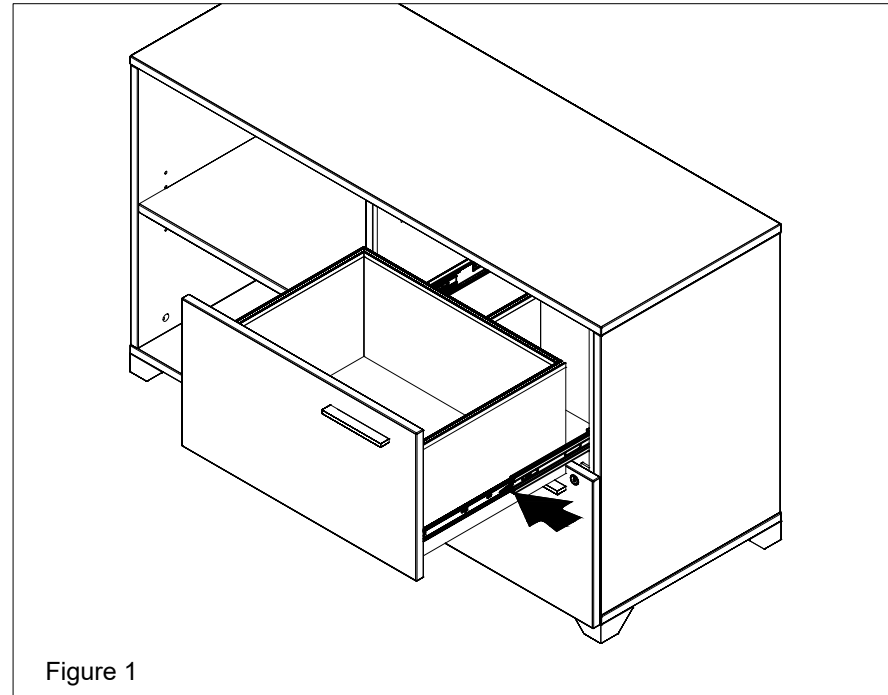


Figure 1

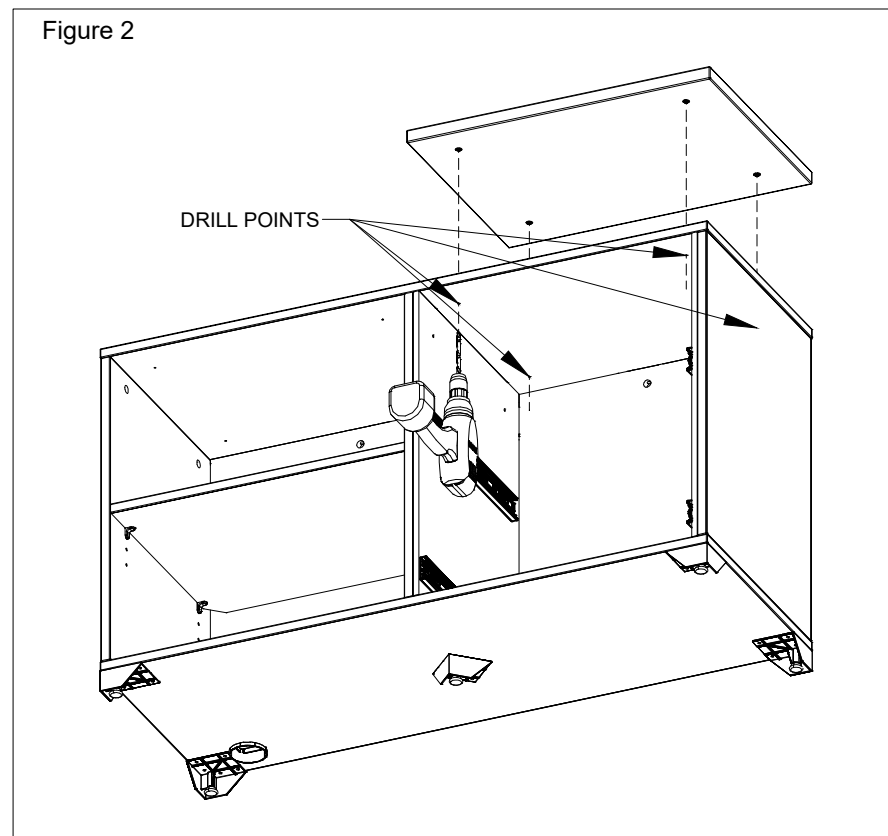


Figure 2

front inset spacer to high credenza installation (cont'd)

3. Figure 3 shows the bottom of the spacer with the inserts spaced 3 inches at the back and 2-1/2 inches in front.
4. Secure the inset spacer to the credenza with #10-24; 1-1/4 inch machine screws, (Figure 4).

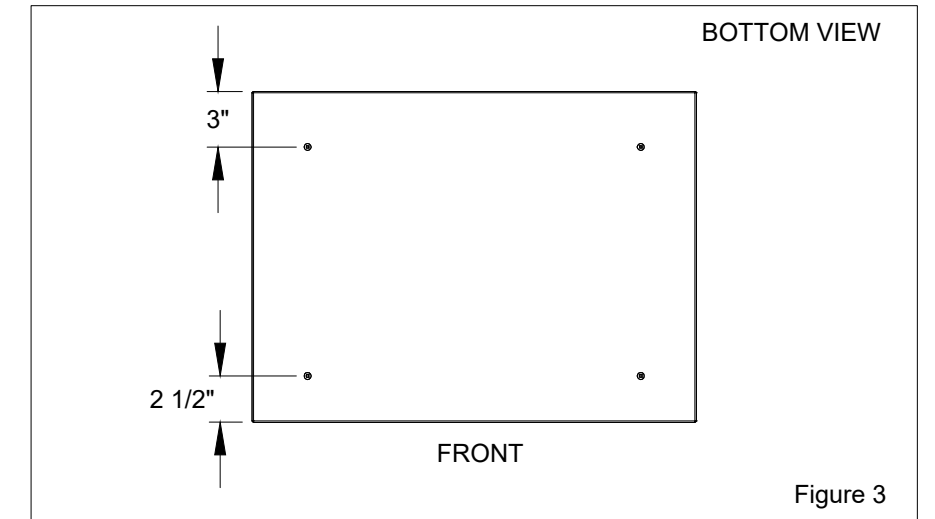


Figure 3

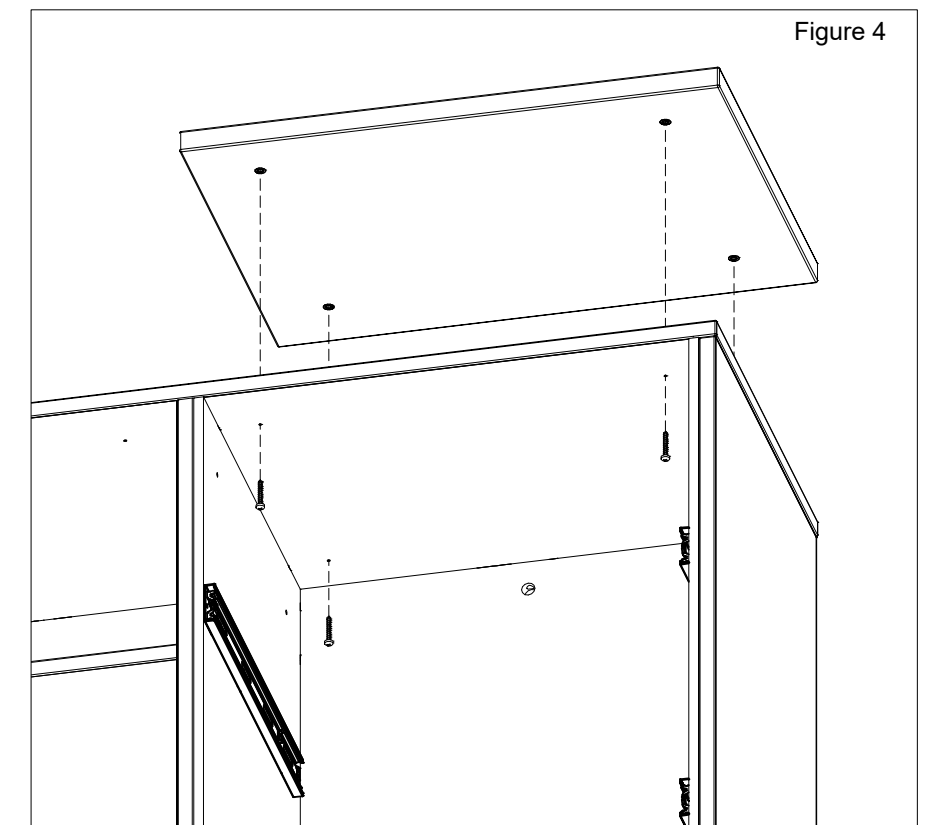
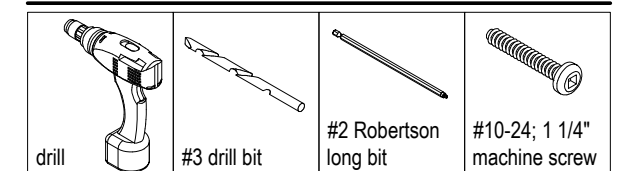


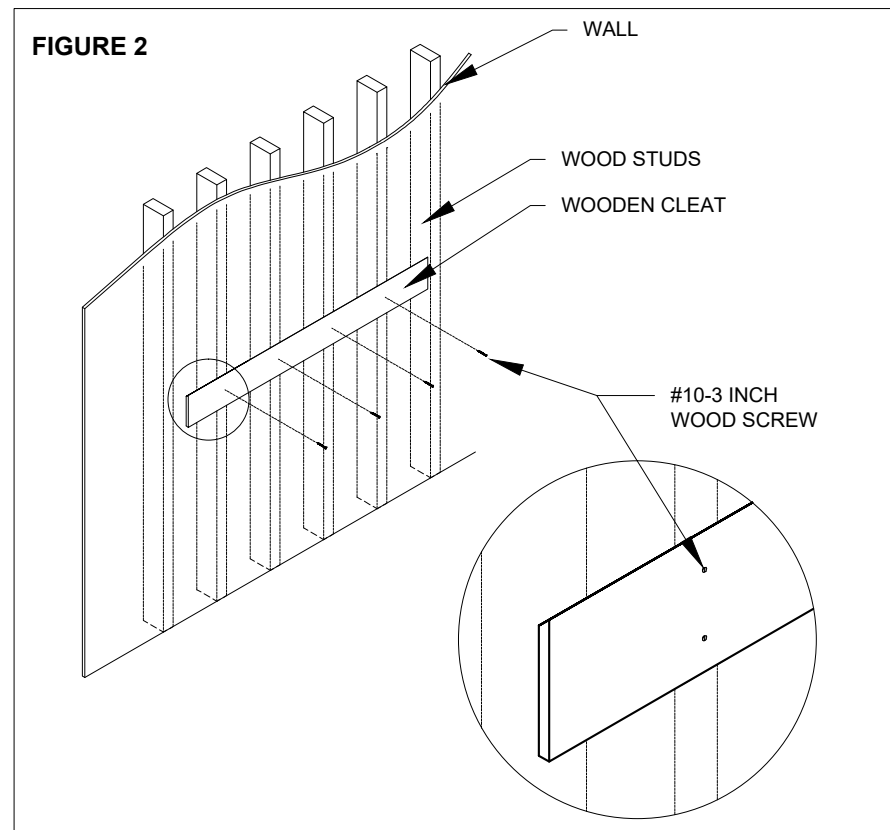
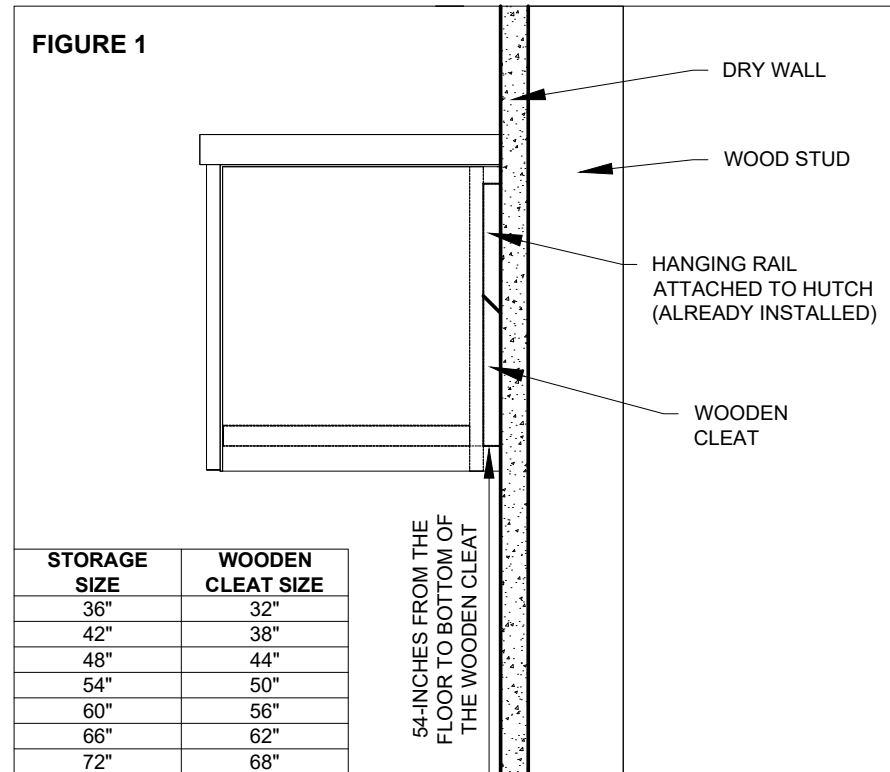
Figure 4

tools & hardware needed



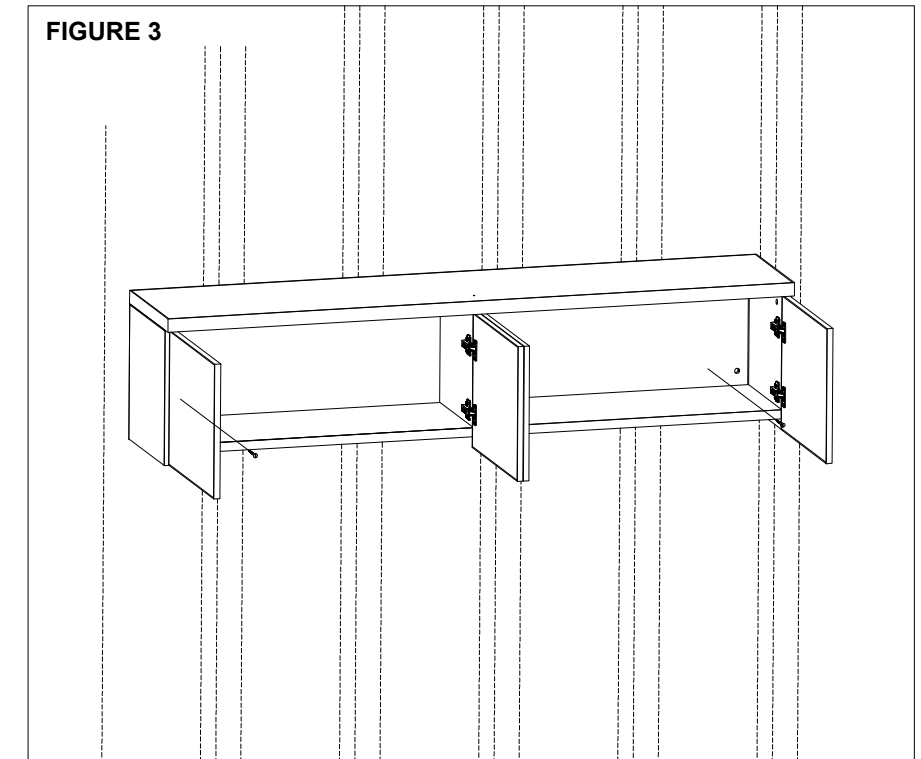
overhead storage - attachment to dry wall with wood studs

1. Find the location of the studs with a stud finder; make marks on the wall.
2. Mark the location of the wooden cleat on the wall and position it to the previously marked studs. The recommended height is 54-inches from the floor to the bottom of the wooden cleat. Use the following size as a guide for mounting the wooden cleats on the wall listed in Figure 1.
3. Level the wooden cleat and attach it to studs with #10, 3-inch wood screws, (Figure 2).



overhead storage - attachment to dry wall with wood studs (cont'd)

4. Hang the hutch over the installed wooden cleat.
5. Secure with #10, 3-inch wood screws from the inside back panel of the hutch through the wooden cleat, (Figure 3).



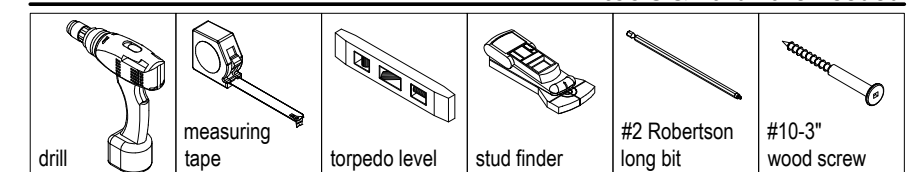
WARNING

It is the owner's responsibility to ensure that the wall type and construction is of sufficient strength to carry the loads of the overhead storage unit and its contents. Failure of the wall to support all imposed loads may result in property damage and/or personal injury. When in doubt, the use of other methods of storage such as freestanding storage units, hutches and bookcases is strongly recommended.

NOTES:

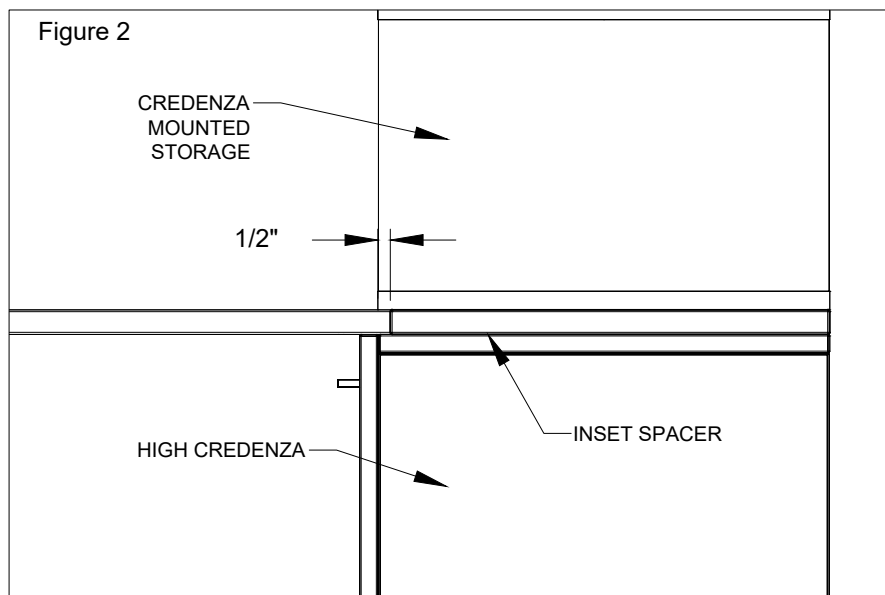
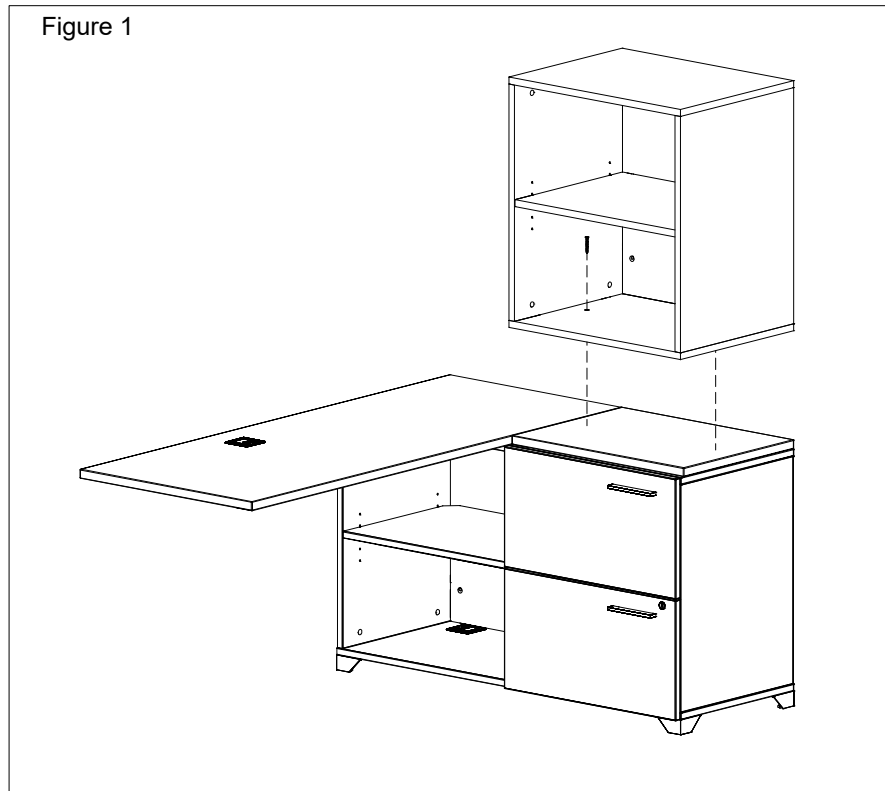
- > use 6 screws for hutches w/o dividers (48-inches and 54-inches wide) and 8 screws for hutches with dividers (60-inches, 66-inches and 72-inches wide).
- > make sure no electrical wires are on the way of the screws.

tools & hardware needed

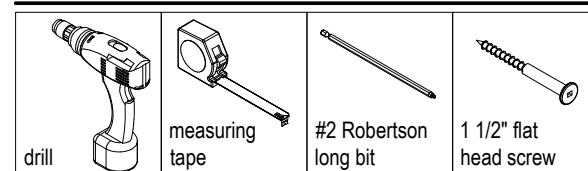


credenza mounted storage to high credenza installation

1. Secure the credenza mounted storage to the spacer with two 1-1/2 inch flat head screws, (Figure 1).
2. The credenza mounted storage is mounted with 1/2 inch space at the front of the credenza; flush on the sides and at the back, (Figure 2).



tools & hardware needed



surface mounted screen

1. Position the surface mounted screen to the worksurface (Figure 1).
2. Attach the surface mounted screen to the underside of the worksurface using #10 1" oval head screws (Figure 2).

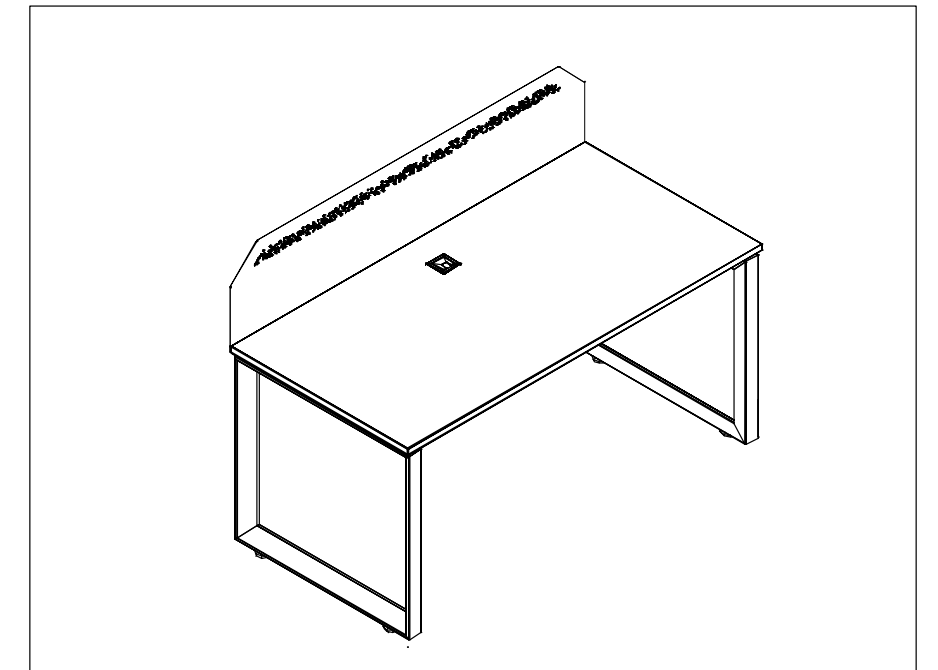


FIGURE 1

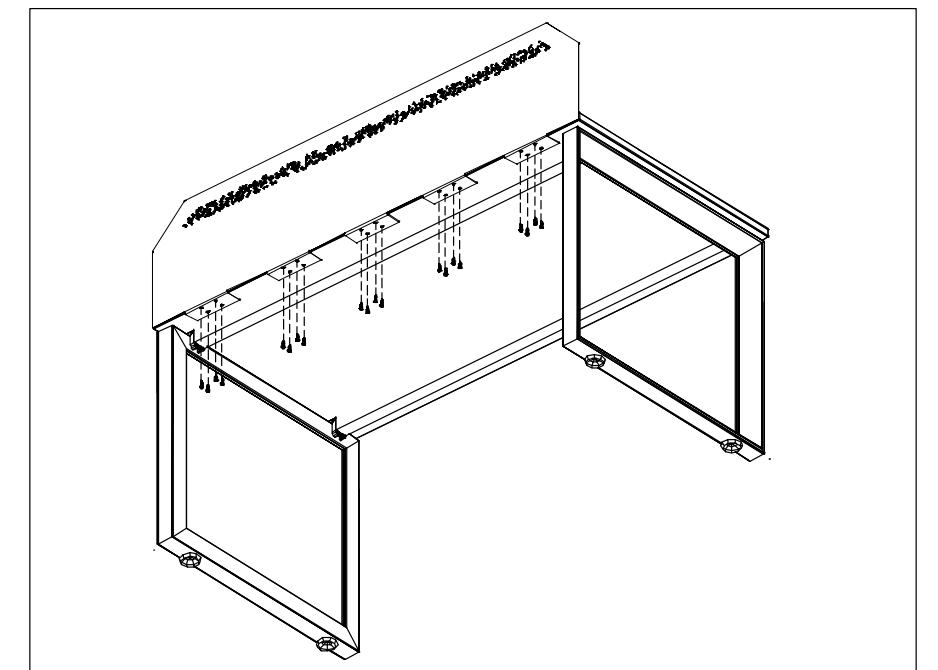
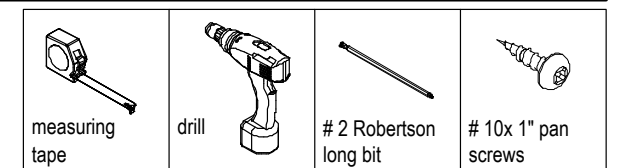


FIGURE 2

tools & hardware needed



trough mounted modesty screen

1. Position the trough mounted modesty screen.
2. Attach the trough mounted modesty screen to the wire management trough using 1/4-20 round head screws with three washers on each screw (Figure 1).

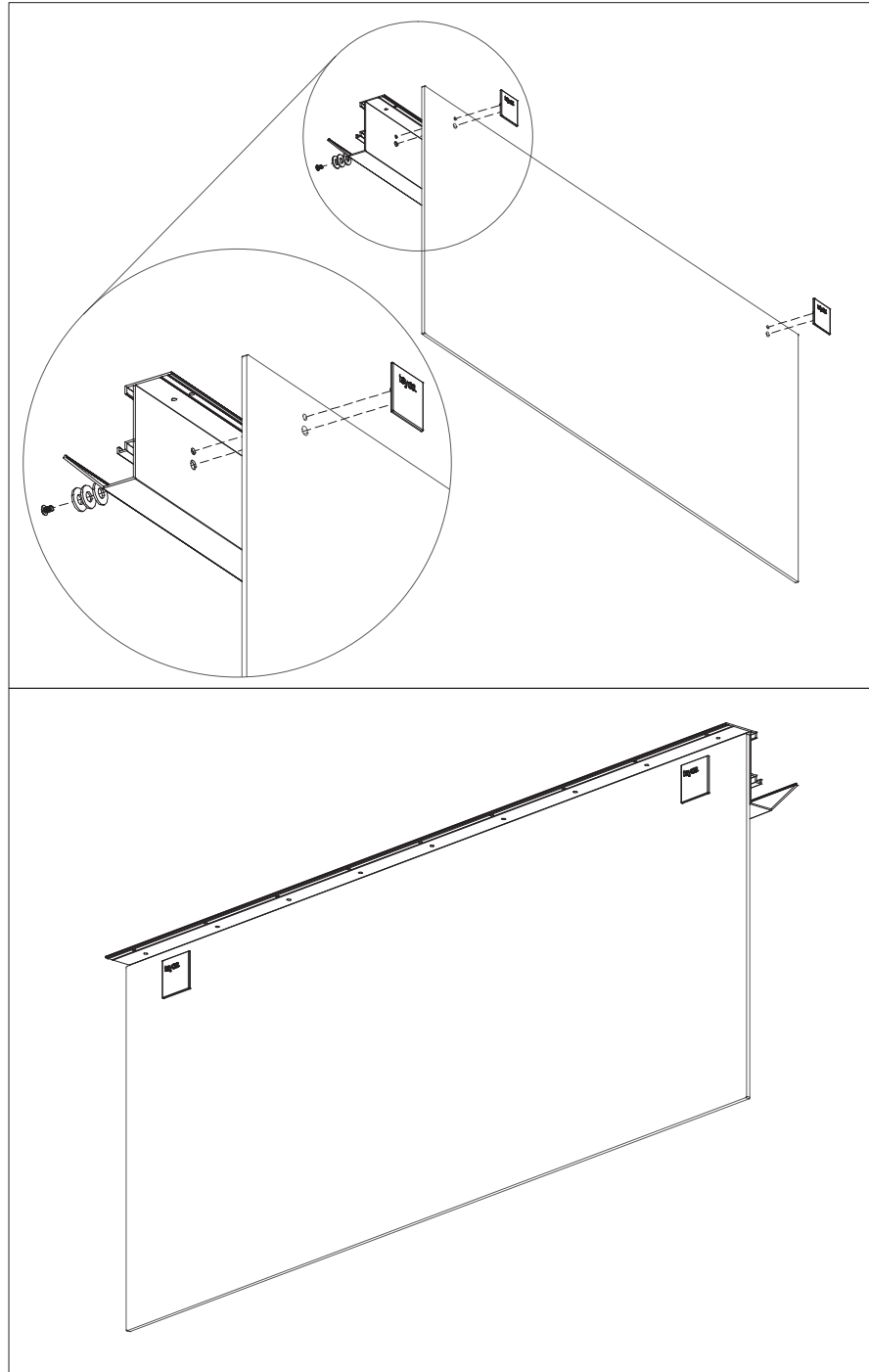
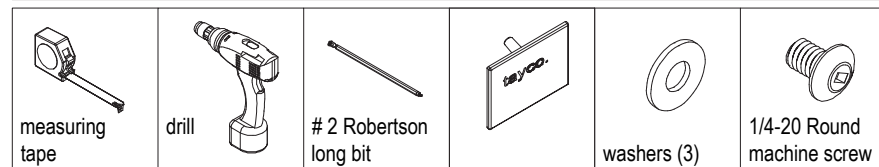


FIGURE 1

tools & hardware needed



wire management trough to surface

The wire management trough mounts to the underside of a reinforcement bar to manage power and communication cables horizontally below the worksurface level. Also, the power and/or communication box can be mounted to channels on the trough.

1. Ensure the worksurface is properly supported and all brackets are secured.
2. Position the worksurface wire management trough at the specified location (Figure 1). Use #10 1" oval head screws to attach the wire management trough to the underside of the worksurface (Figure 2).

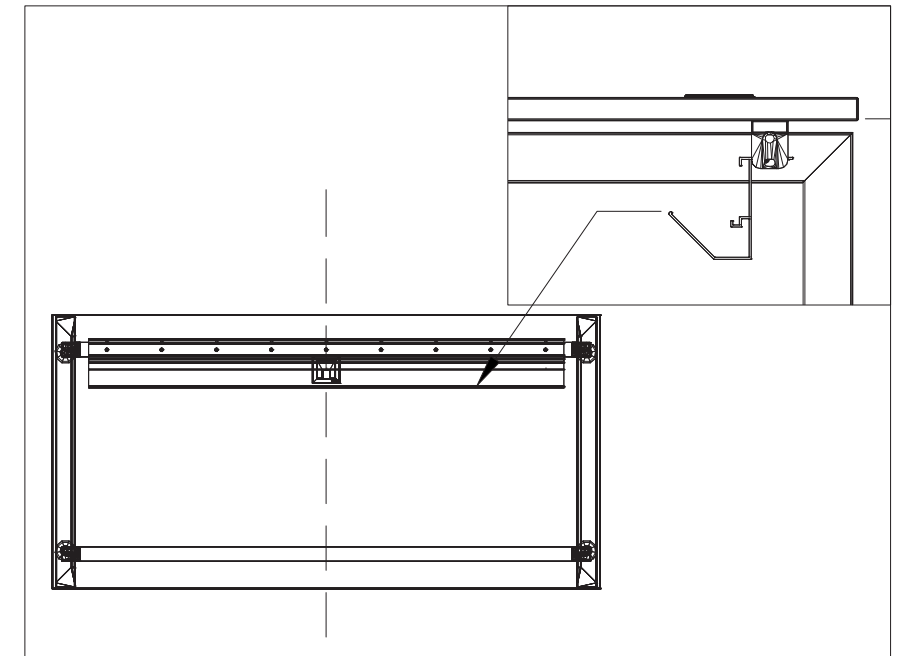


FIGURE 1

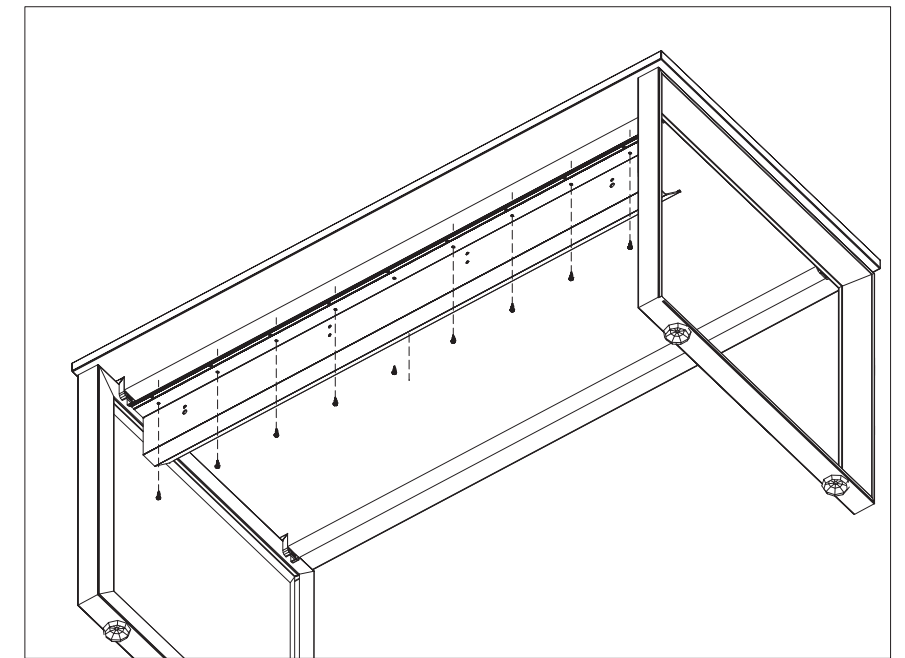
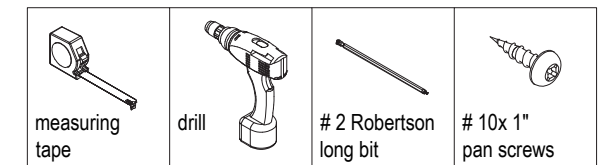


FIGURE 2

tools & hardware needed



power pole installation

The power pole is attached to the open gables to manage cables from the ceiling to a workstation below the worksurface level.

1. Attach brackets to the open end gable using #10-5/8" pan self drilling screws.
2. Inspect ceiling condition before beginning installation if the ceiling tile is acoustical, remove the tile above the power pole before attaching the power pole to the bracket. (Figure 2).
3. Attach half of the power pole to the bracket using #10-32 machine screws.

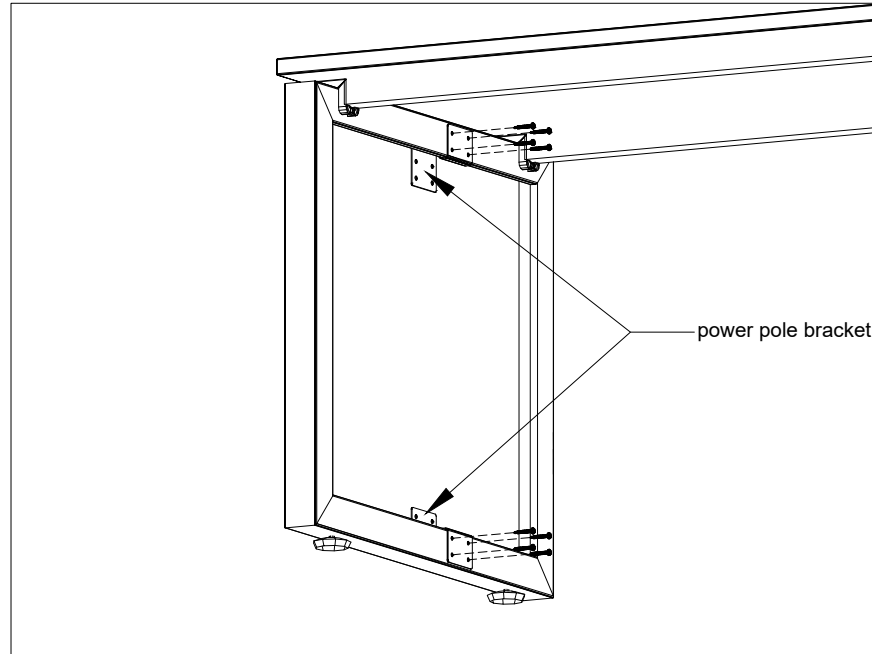


FIGURE 1

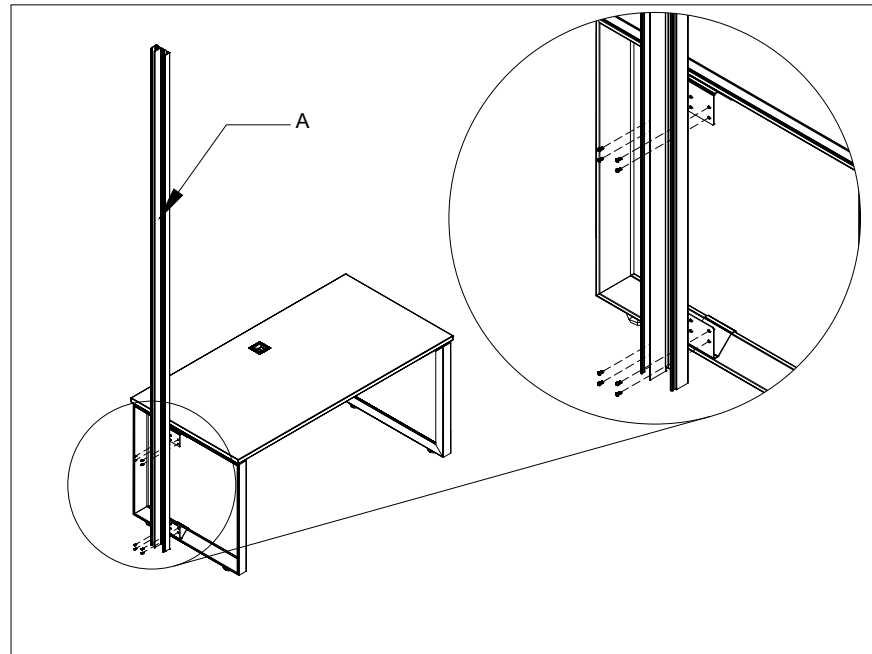
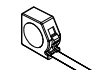






FIGURE 2

tools & hardware needed

 measuring tape	 drill	 # 2 Robertson long bit	 #10 x 5/8" pan self drilling screws	 # 10- 32 machine screws
---	--	---	--	--

power pole installation (cont'd)

4. Lay the data and power cables in the power pole. Clip the two halves of the power pole together (Figure 3).
5. Place the ceiling collar around the management column and mount to the ceiling with 6 screws; (Figure 4).

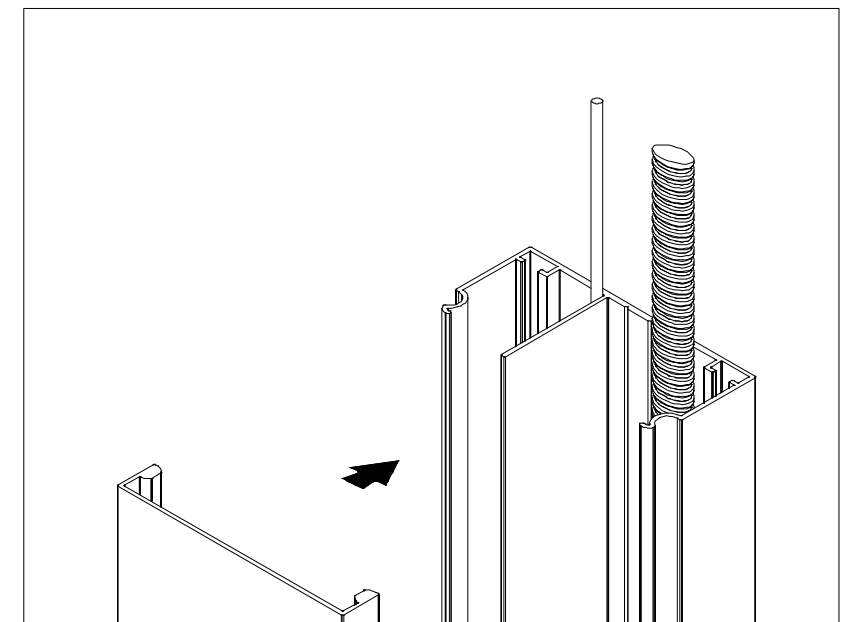


FIGURE 3

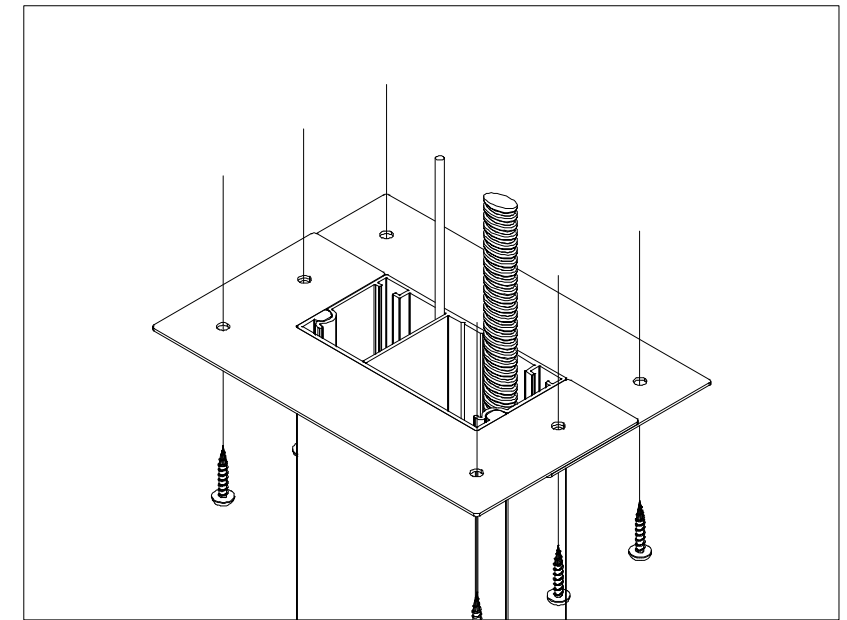
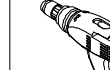

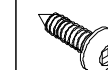


FIGURE 4

tools & hardware needed

 drill	 #2 Robertson long bit	 #10 11/16" oval head screw
--	--	---

trough mounted communication box installation

box installation

The cable management trough communication box mounts to the worksurface cable management trough to provide communication access below the worksurface level.

1. Insert the bottom edge of the trough mounted communication box, (Figure 1).
2. Secure in place with 3/8" metal screws, (Figure 2).

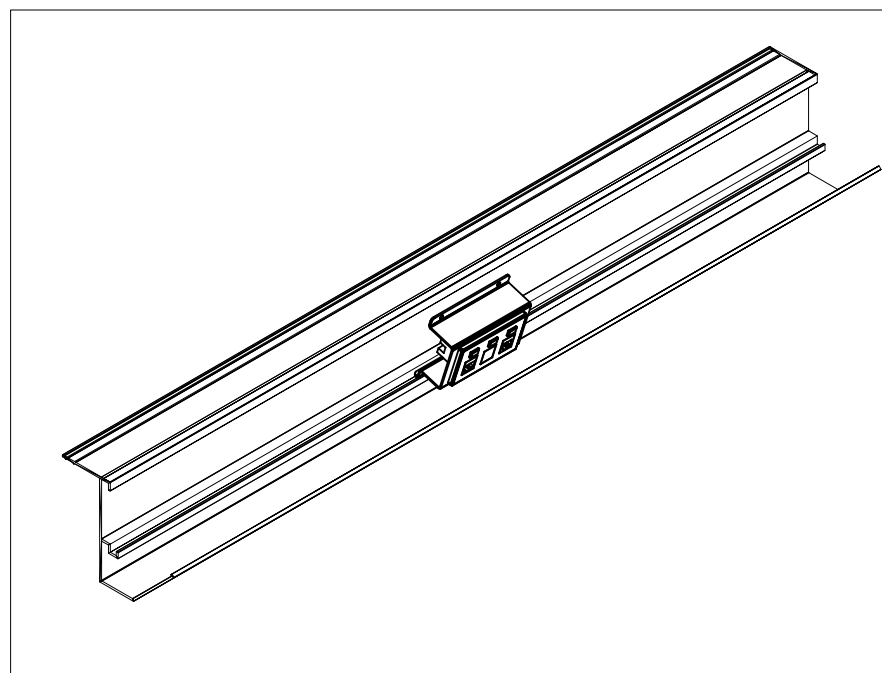


FIGURE 1

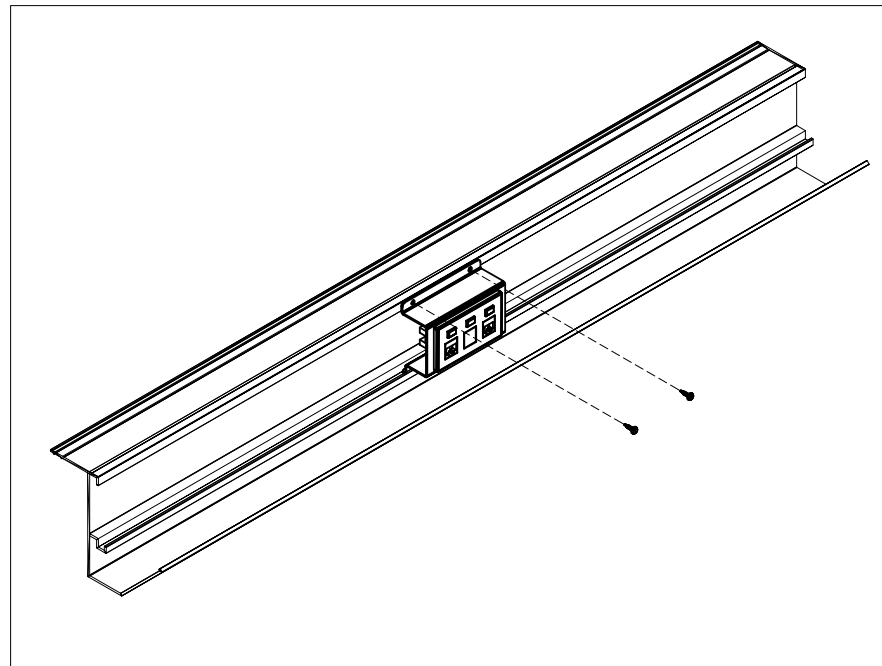
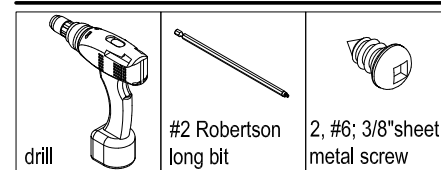


FIGURE 2

NOTES:

- > The trough mounted communication box does not come with any data cables.
- > The trough mounted communication box is equipped with one RJ11, RJ45 and a spare opening.

tools & hardware needed



trough mounted power box installation

The cable management trough power box mounts to the worksurface cable management trough to provide power access below the worksurface level.

1. Attach the harness(es) to the power box before installation, (Figure 1).
2. Mount the trough mounted power box to the horizontal wire management trough with 5/8" metal screws, (Figure 2).

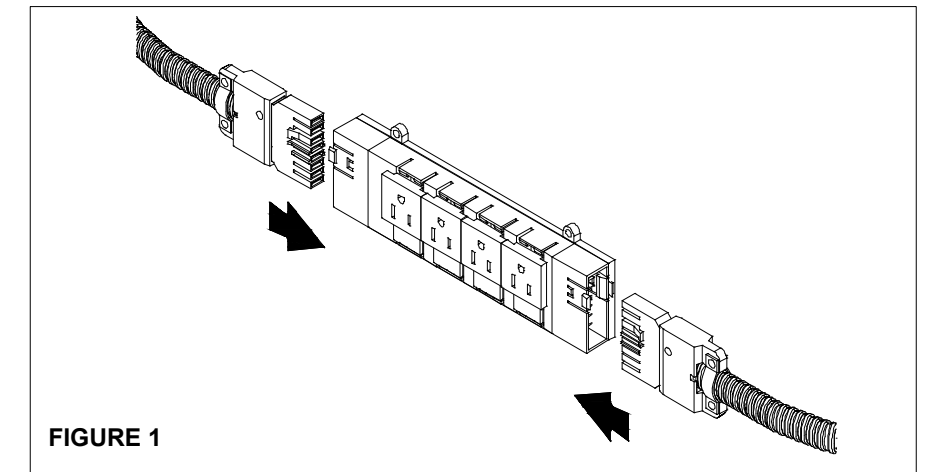


FIGURE 1

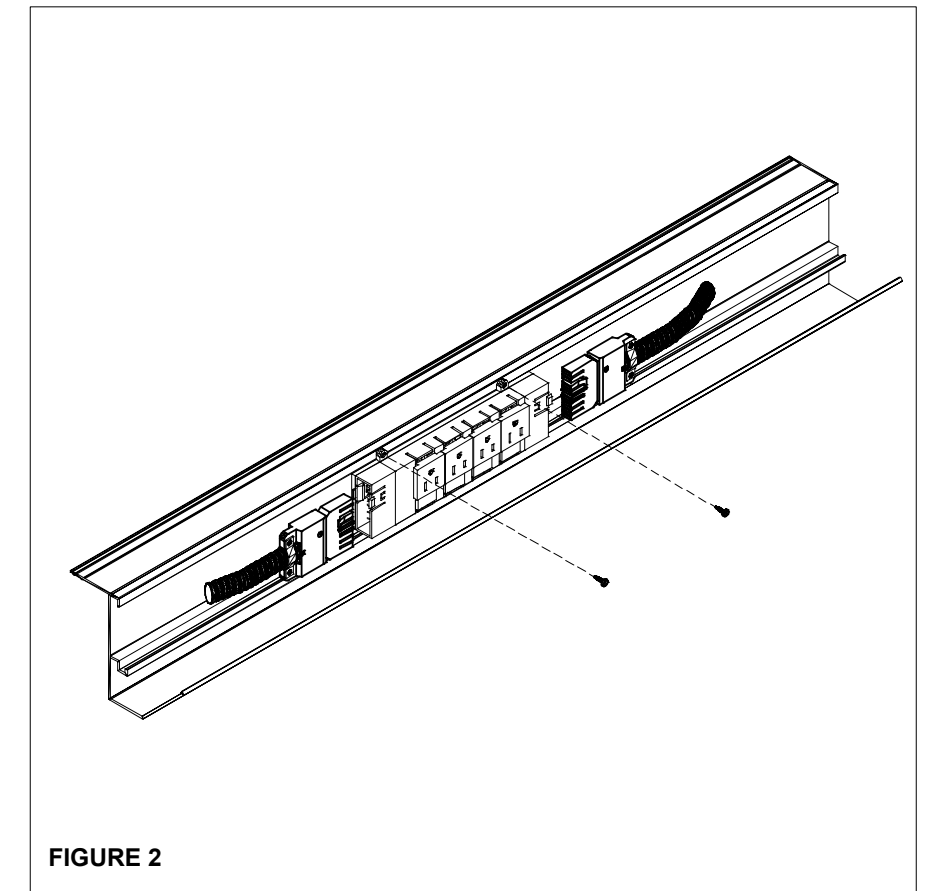
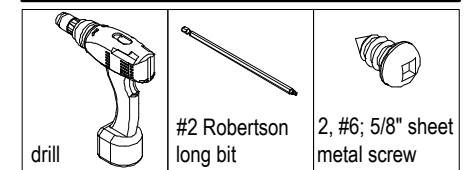


FIGURE 2

NOTES:

- > The trough mounted power box does not come with any electrical harnesses.

tools & hardware needed

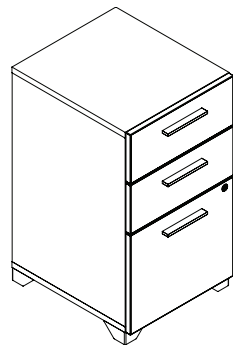




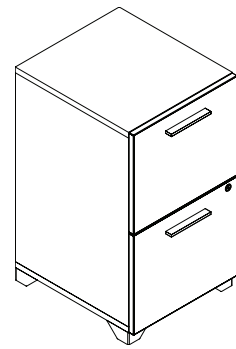
Scene Pricebook
January 2026
Pedestals

pedestals

<u>freestanding</u>	54
<u>mobile</u>	56



box/box/file pedestal without seat cushion



file/file pedestal without seat cushion

What's Included:

Tall stationary pedestal (box/box/file or file/file drawer configuration) (1), box drawer pencil tray (box/box/file drawer configuration) (1), and keys for lock (2).

Notes:

Tall stationary pedestal is 16" wide.

Available in box/box/file or file/file drawer configuration.

Top box drawer (box/box/file configuration) includes a plastic pencil tray to enhance organizational capabilities.

File drawer(s) accommodate either legal paper or letter paper hanging folders.

Contemporary metal handles on the drawers are standard.

Four levelers with a leveling range of 2.5" are included.

How to Specify:

Specify the drawer configuration to suit the storage requirements.

Specify the depth of the pedestal to be the same as the depth of the worksurface being utilized above.

Body refers to the top, side and back panels of the freestanding pedestal.

Face refers to the drawer front of the freestanding pedestal.

Pencil tray is available in white translucent plastic only.

Internal drawer bodies are black low pressure laminate only.

Freestanding pedestal can be keyed alike or keyed randomly for a workstation.

Lock is available in satin silver metal only.

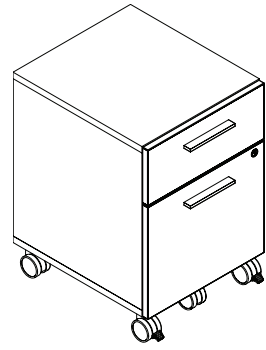
Options:

Drawer Configuration	BF box / box / file	FF file / file
Depth	18", 24"	
Body Laminate	laminate color	
Face Laminate	laminate color	
Handle Color	Refer to metal paint card for metal paint colors	
Foot Color	Refer to metal paint card for metal paint colors	

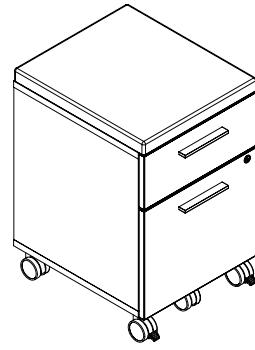
How to Order and Read your Code:

F	FP	BF	28	16	24
product line	item	drawer configuration	height	width	depth

Code	Price	H	W	D	Weight (lb)	Volume (ft ³)
box / box / file						
F-FPBF-281618	1269	28	16	18	53.76	4.67
F-FPBF-281624	1300	28	16	24	71.68	6.22
file/file						
F-FPFF-281618	1138	28	16	18	53.76	4.67
F-FPFF-281624	1170	28	16	24	71.68	6.22



mobile pedestal without seat cushion



mobile pedestal with seat cushion

What's Included:

Low mobile pedestal (box/file drawer configuration) with/without seat cushion (1), box drawer pencil tray (1), and keys for lock (2).

Notes:

- Low mobile pedestal is 16" wide.
- Box drawer includes a plastic pencil tray to enhance organizational capabilities.
- File drawer accommodates either legal paper or letter paper hanging folders.
- The two front casters are lockable.
- Contemporary metal handles on the drawers are standard.

How to Specify:

- Specify the drawer configuration to suit the storage requirements.
- Specify the depth of the pedestal to be the same as the depth of the worksurface being utilized above.
- Body refers to the top, side and back panels of the freestanding pedestal.
- Face refers to the drawer front of the freestanding pedestal.
- Pencil tray is available in white translucent plastic only.
- Internal drawer bodies are black low pressure laminate only.
- Freestanding pedestal can be keyed alike or keyed randomly for a workstation.
- Lock is available in satin silver metal only.

Options:

Seat Cushion	O without seat cushion	S with seat cushion
Depth	18"	
Body Laminate	laminate color	
Face Laminate	laminate color	
Handle Color	H112 silver	H121 white H122 black
Caster Cap Color	P112 silver	P121 white
Seating Upholstery	seating fabrics	

Code	Price	H	W	D	Weight (lb)	Volume (ft ³)
without seat cushion						
F-FPL0-231618	1083	23	16	18	53.76	3.83

with seat cushion

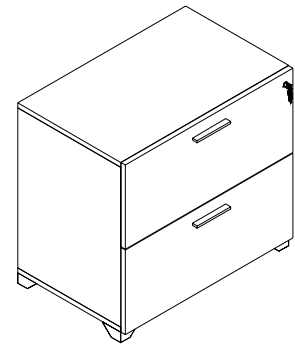
Code	Grade 1	Grade 2	Grade 3	Grade 6	W	D	Weight (lb)	Volume (ft ³)
F-FPLS-251618	1368	1289	1325	1427	16	18	53.76	4.17



Scene Pricebook
January 2026
Laterals

lateral

2 drawer	60
3 drawer	62
4 drawer	64



What's Included:

2 drawer lateral storage

How to Specify:

Body refers to the top, side and back panels of the 2 drawer lateral.

Face refers to the drawer front of the 2 drawer lateral.

2 drawer lateral can be keyed alike or keyed randomly for a workstation.

Lock is available in satin silver metal only.

Notes:

2 drawer lateral is available in 30", 36" & 42" widths.

2 drawer lateral is available in 18" & 24" depths.

Metal handles on the drawers are standard.

Each drawer includes 2 cross rails to enhance organizational capabilities.

File drawers accommodates either legal paper or letter paper hanging folders.

Four levelers with a leveling range of 2.5" are included.

Disclaimer: Please note that lateral file drawers are intended for filing letter and legal size paper front to back or side to side only. For details and weight restrictions please contact customer service.

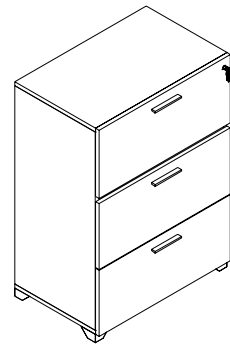
Options:

Width	30", 36", 42"
Depth	18", 24"
Body Laminate	laminate color
Face Laminate	laminate color
Handle Color	Refer to metal paint card for metal paint colors
Foot Color	Refer to metal paint card for metal paint colors

How to Order and Read your Code:

F	FL	2F	28	30	18
product line	item	drawer configuration	height	width	depth

Code	Price	H (in.)	W (in.)	D 1 (in.)	Weight (lb)	Volume (ft ³)
F-FL2F-283018	1737	28	30	18	65.74	8.75
F-FL2F-283024	1781	28	30	24	87.65	11.67
F-FL2F-283618	1805	28	36	18	78.89	10.5
F-FL2F-283624	1915	28	36	24	105.18	14
F-FL2F-284218	1930	28	42	18	92.03	12.25
F-FL2F-284224	2050	28	42	24	122.71	16.33



What's Included:

3 drawer lateral storage

How to Specify:

Body refers to the top, side and back panels of the 2 drawer lateral.

Face refers to the drawer front of the 2 drawer lateral.

2 drawer lateral can be keyed alike or keyed randomly for a workstation.

Lock is available in satin silver metal only.

Notes:

3 drawer lateral is available in 30", 36" & 42" widths.

3 drawer lateral is available in 18" & 24" depths.

Metal handles on the drawers are standard.

Each drawer includes 2 cross rails to enhance organizational capabilities.

File drawers accommodates either legal paper or letter paper hanging folders.

Four levelers with a leveling range of 2.5" are included.

Disclaimer: Please note that lateral file drawers are intended for filing letter and legal size paper front to back or side to side only. For details and weight restrictions please contact customer service.

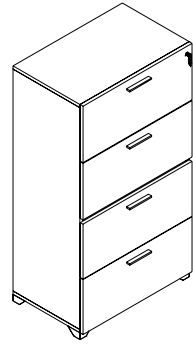
Options:

Width	30", 36", 42"
Depth	18", 24"
Body Laminate	laminate color
Face Laminate	laminate color
Spacer trim	LPL color
Handle Color	Refer to metal paint card for metal paint colors
Foot Color	Refer to metal paint card for metal paint colors

How to Order and Read your Code:

F	FL	3F	43	30	18
product line	item	drawer configuration	height	width	depth

Code	Price	H (in.)	W (in.)	D 1 (in.)	Weight (lb)	Volume (ft ³)
F-FL3F-433018	2806	43	30	18	92.88	13.44
F-FL3F-433024	2869	43	30	24	123.84	17.92
F-FL3F-433618	2906	43	36	18	111.46	16.13
F-FL3F-433624	3110	43	36	24	148.61	21.5
F-FL3F-434218	3125	43	42	18	130.03	18.81
F-FL3F-434224	3346	43	42	24	173.38	25.08



What's Included:

4 drawer lateral storage

How to Specify:

Body refers to the top, side and back panels of the 4 drawer lateral.

Face refers to the drawer front of the 4 drawer lateral.

4 drawer lateral can be keyed alike or keyed randomly for a workstation.

Lock is available in satin silver metal only.

Notes:

4 drawer lateral is available in 30", 36" & 42" widths.

4 drawer lateral is available in 18" & 24" depths.

Metal handles on the drawers are standard.

Each drawer includes 2 cross rails to enhance organizational capabilities.

File drawers accommodate either legal paper or letter paper hanging folders.

Four levelers with a leveling range of 2.5" are included.

Disclaimer: Please note that lateral file drawers are intended for filing letter and legal size paper front to back or side to side only. For details and weight restrictions please contact customer service.

Options:

Width	30", 36", 42"
Depth	18", 24"
Body Laminate	laminate color
Face Laminate	laminate color
Spacer trim	LPL color
Handle Color	Refer to metal paint card for metal paint colors
Foot Color	Refer to metal paint card for metal paint colors

How to Order and Read your Code:

F	FL	4F	56	30	18
product line	item	drawer configuration	height	width	depth

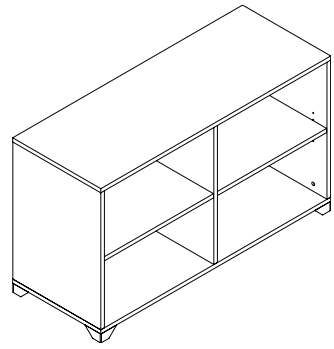
Code	Price	H (in.)	W (in.)	D 1 (in.)	Weight (lb)	Volume (ft ³)
F-FL4F-563018	3344	56	30	18	108	17.5
F-FL4F-563024	3439	56	30	24	144	23.33
F-FL4F-563618	3489	56	36	18	129.6	21
F-FL4F-563624	3726	56	36	24	172.8	28
F-FL4F-564218	3757	56	42	18	151.2	24.5
F-FL4F-564224	4008	56	42	24	201.6	32.67



Scene Pricebook
January 2026
Credenzas



<u>open high</u>	68
<u>enclosed high</u>	69
<u>combo high</u>	70
<u>open low</u>	72
<u>enclosed low</u>	73
<u>combo low</u>	74



What's Included:

Open high credenza (1) with two wire management grommets (2).

How to Specify:

Body refers to the top, side and back panels of the open high credenza.

Lock is available in satin silver metal only.

Notes:

Open high credenza is available in 48", 54", 60", 66" & 72" widths.

Open high credenza is available in 18" depth.

Open shelf provides storage space for books, binders, and boxes, as well as large personal items such as backpacks and briefcases.

Four levelers with a leveling range of 2.5-inches are included.

Middle shelves have a notched corner to allow a pass through for power & data

Lower shelf has 2 wire management grommets

Options:

Width 48", 54", 60", 66", 72"

Body Laminate laminate color

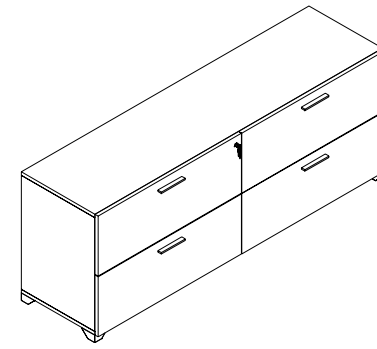
Foot Color Refer to metal paint card for metal paint colors

Grommet Color Refer to metal paint card for metal paint colors

How to Order and Read your Code:

F **CROH** **28** **30** **18**
 product line item height width depth

Code	Price	H (in.)	W (in.)	D 1 (in.)	Weight (lb)	Volume (ft ³)
F-CROH-284818	1295	28	48	18	48.38	14
F-CROH-285418	1369	28	54	18	54.43	15.75
F-CROH-286018	1440	28	60	18	60.48	17.5
F-CROH-286618	1505	28	66	18	66.53	19.25
F-CROH-287218	1574	28	72	18	72.58	21



What's Included:

Enclosed high credenza (file/file drawer configuration) (1), and keys for lock (4).

How to Specify:

Body refers to the top, side and back panels of the enclosed high credenza.

Face refers to the drawer front of the enclosed high credenza.

Drawer handles are finished in silver, black or white powder coat.

Enclosed high credenza can be keyed alike or keyed randomly for a workstation.

Lock is available in satin silver metal only.

Notes:

Enclosed high credenza is available in 48", 60" & 72" widths.

File drawer can accommodate either legal paper or letter paper hanging folders.

Metal handles on the drawers are standard.

Four levelers with a leveling range of 2.5-inches are included.

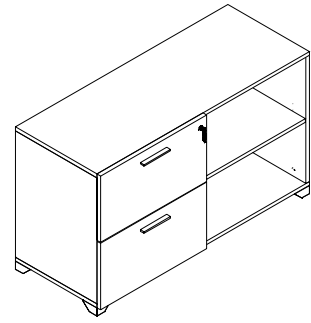
Options:

Width 48", 54", 60", 66", 72"

Handle Color Refer to metal paint card for metal paint colors

Foot Color Refer to metal paint card for metal paint colors

Code	Price	H (in.)	W (in.)	D 1 (in.)	Weight (lb)	Volume (ft ³)
F-CREH-284818	2773	28	48	18	96.77	14
F-CREH-286018	3017	28	60	18	120.96	17.5
F-CREH-287218	3259	28	72	18	145.15	21



left hand
drawer position

What's Included:

Combo high credenza (open shelf and file/file drawer configuration) (1) with keys for lock (2) and a wire management grommet (1).

How to Specify:

Specify drawer position to be on the side/end of the credenza that is not supporting a worksurface.

Body refers to the top, side and back panels of the combo high credenza.

Face refers to the drawer front of the combo high credenza.

Drawer handles are finished in silver, black or white powder coat.

Combo high credenza can be keyed alike or keyed randomly for a workstation.

Lock is available in satin silver metal only.

Notes:

Combo high credenza is available in 48", 54", 60", 66" & 72" widths.

Available with open shelf and file/file drawer configuration located on the left or right side of the credenza.

Open shelf provides storage space for books, binders, and boxes, as well as large personal items such as backpacks and briefcases.

One file drawer accommodates either legal paper or letter paper hanging folders.

Metal handles on the drawers are standard.

Four levelers with a leveling range of 2.5-inches are included.

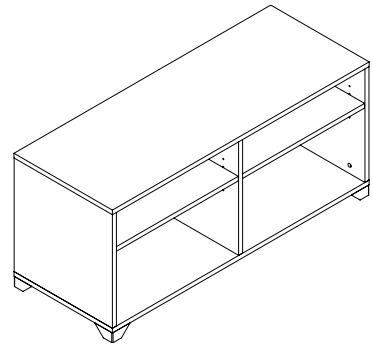
Middle shelf has a notched corner to allow a pass through for power & data

Lower shelf has a wire management grommet

Options:

Width	48", 54", 60", 66", 72"	
Drawer position	L left	R right
Body Laminate	laminate color	
Face Laminate	laminate color	
Handle Color	Refer to metal paint card for metal paint colors	
Foot Color	Refer to metal paint card for metal paint colors	
Grommet Color	Refer to metal paint card for metal paint colors	

Code	Price	H (in.)	W (in.)	D 1 (in.)	Weight (lb)	Volume (ft ³)
Left Hand						
F-CRCH-284818-LC	1990	28	48	18	69.12	14
F-CRCH-285418-LC	2061	28	54	18	77.76	15.75
F-CRCH-286018-LC	2185	28	60	18	86.4	17.5
F-CRCH-286618-LC	2257	28	66	18	95.04	19.25
F-CRCH-287218-LC	2379	28	72	18	103.68	21
Right Hand						
F-CRCH-284818-RC	1990	28	48	18	69.12	14
F-CRCH-285418-RC	2061	28	54	18	77.76	15.75
F-CRCH-286018-RC	2185	28	60	18	86.4	17.5
F-CRCH-286618-RC	2257	28	66	18	95.04	19.25
F-CRCH-287218-RC	2379	28	72	18	103.68	21



What's Included:

Open low credenza

How to Specify:

Body refers to the top, side and back panels of the open low credenza.

Notes:

Open low credenza is available in 48", 54", 60", 66" & 72" widths.

Open low credenza is available in 18" depth.

Open low credenza top mount worksurface support enables the credenza to support the end of a worksurface(s).

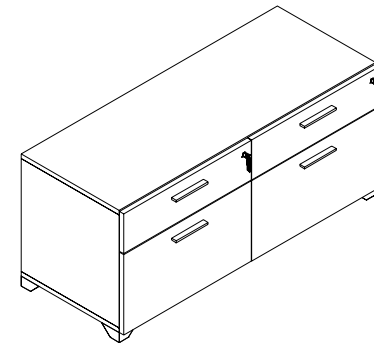
Open shelf provides storage space for books, binders, and boxes, as well as large personal items such as backpacks and briefcases.

Four levelers with a leveling range of 2.5-inches are included.

Options:

Width	48", 60", 72"
Body Laminate	laminate color
Foot Color	Refer to metal paint card for metal paint colors

Code	Price	H (in.)	W (in.)	D 1 (in.)	Weight (lb)	Volume (ft ³)
F-CROL-224818	1147	22	48	18	38.02	11
F-CROL-225418	1216	22	54	18	42.77	12.38
F-CROL-226018	1283	22	60	18	47.52	13.75
F-CROL-226618	1348	22	66	18	52.27	15.13
F-CROL-227218	1413	22	72	18	57.02	16.5



What's Included:

Enclosed low credenza (box/file drawer configuration) (1), and keys for lock (4)

How to Specify:

Body refers to the top, side and back panels of the enclosed low credenza.

Face refers to the drawer front of the enclosed low credenza.

Drawer handles are finished in silver, black or white powder coat.

Enclosed low credenza can be keyed alike or keyed randomly for a workstation.

Lock is available in satin silver metal only.

Notes:

Enclosed low credenza is available in 48", 60" & 72" widths.

Enclosed low credenza top mount worksurface support enables the credenza to support the end of a worksurface(s).

Available with side-by-side box/file drawer configuration.

Two box drawers provide general storage space.

Two file drawer accommodate either legal paper or letter paper hanging folders.

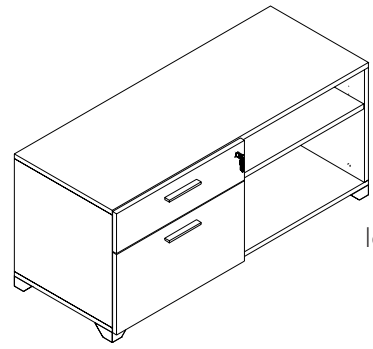
Metal handles on the drawers are standard.

Four levelers with a leveling range of 2.5-inches are included.

Options:

Width	48", 60", 72"
Body Laminate	laminate color
Face Laminate	laminate color
Handle Color	Refer to metal paint card for metal paint colors
Foot Color	Refer to metal paint card for metal paint colors

Code	Price	H (in.)	W (in.)	D 1 (in.)	Weight (lb)	Volume (ft ³)
F-CREL-224818	2496	22	48	18	76.03	11
F-CREL-226018	2691	22	60	18	95.04	13.75
F-CREL-227218	2900	22	72	18	114.05	16.5



left drawer position

What's Included:

Combo low credenza (open shelf and box/file drawer configuration) (1), and keys for lock (2).

How to Specify:

Specify drawer position to be on the side/end of the credenza that is not supporting a work surface.

Body refers to the top, side and back panels of the combo low credenza.

Face refers to the drawer front of the combo low credenza.

Drawer handles are finished in silver, black or white powder coat.

Combo high credenza can be keyed alike or keyed randomly for a workstation.

Lock is available in satin silver metal only.

Notes:

Combo low credenza is available in 48", 54", 60", 66" & 72" widths.

Combo low credenza top mount work surface support enables the credenza to support the end of a work surface(s).

Available with open shelf and box/file drawer configuration located on the left or right side of the credenza.

Open shelf provides storage space for books, binders, and boxes, as well as large personal items such as backpacks and briefcases.

One box drawer provides general storage space.

One file drawer accommodates either legal paper or letter paper hanging folders.

Metal handles on the drawers are standard.

Four levelers with a leveling range of 2.5-inches are included.

Options:

Width	48", 54", 60", 66", 72"
Drawer position	L left R right
Body Laminate	laminate color
Face Laminate	laminate color
Handle Color	Refer to metal paint card for metal paint colors
Foot Color	Refer to metal paint card for metal paint colors

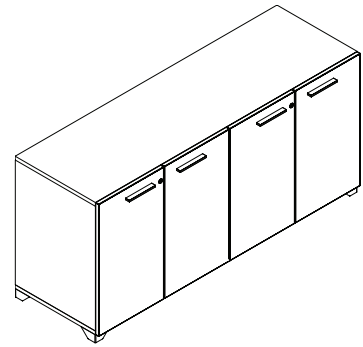
Code	Price	H (in.)	W (in.)	D 1 (in.)	Weight (lb)	Volume (ft ³)
Left Drawer						
F-CRCL-224818-LC	1788	22	48	18	54.31	11
F-CRCL-225418-LC	1856	22	54	18	61.1	12.38
F-CRCL-226018-LC	1953	22	60	18	67.89	13.75
F-CRCL-226618-LC	2019	22	66	18	74.67	15.13
F-CRCL-227218-LC	2122	22	72	18	81.46	16.5
Right Drawer						
F-CRCL-224818-RC	1788	22	48	18	54.31	11
F-CRCL-225418-RC	1856	22	54	18	61.1	12.38
F-CRCL-226018-RC	1953	22	60	18	67.89	13.75
F-CRCL-226618-RC	2019	22	66	18	74.67	15.13
F-CRCL-227218-RC	2122	22	72	18	81.46	16.5



Scene Pricebook
January 2026
Cabinets

4 door laminate

<u>4 door laminate</u>	78
<u>4 door acrylic</u>	79
<u>2 door laminate</u>	80
<u>2 door acrylic</u>	81



What's Included:

4 door cabinet and keys for locks.

How to Specify:

Body refers to the top, side and back panels of the 4 door cabinet.

Face refers to the drawer front of the 4 door cabinet.

Drawer handles are finished in silver, black or white powder coat.

4 door cabinet can be keyed alike or keyed randomly for a workstation.

Lock is available in satin silver metal only.

Notes:

4 door cabinet is available in 60" 66" & 72" widths.

Metal handles on the drawers are standard.

Four levelers with a leveling range of 2.5-inches are included.

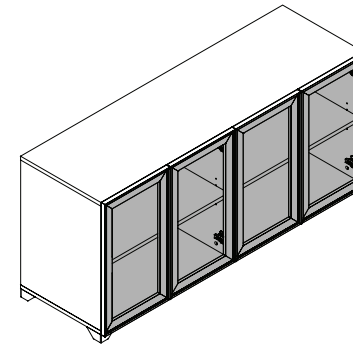
Options:

Width	60", 66", 72"		
Drawer position	L left	R right	
Body Laminate	laminate color		
Face Laminate	laminate color		
Handle Color	Refer to metal paint card for metal paint colors		
Foot Color	Refer to metal paint card for metal paint colors		

How to Order and Read your Code:

F **CROH** **28** **30** **18**
 product line item height width depth

Code	Price	H (in.)	W (in.)	D 1 (in.)	Weight (lb)	Volume (ft ³)
F-FS4L-286018	2188	28	60	18	100.8	17.5
F-FS4L-286618	2276	28	66	18	105.8	19.25
F-FS4L-287218	2362	28	72	18	120.96	21



What's Included:

4 door cabinet with acrylic doors.

How to Specify:

Body refers to the top, side and back panels of the 4 door cabinet.

Notes:

4 door cabinet is available in 60", 66" & 72" widths.

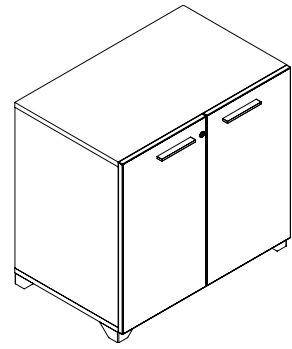
Doors are available in frost acrylic

Four levelers with a leveling range of 2.5-inches are included.

Options:

Width	60", 66", 72"		
Depth	18"		
Body Laminate	laminate color		
Acrylic doors	F frosted		
Foot Color	Refer to metal paint card for metal paint colors		

Code	Price	H (in.)	W (in.)	D 1 (in.)	Weight (lb)	Volume (ft ³)
F-FS4G-286018-F	3920	28	60	18	100.8	17.5
F-FS4G-286618-F	4069	28	66	18	105.8	19.25
F-FS4G-287218-F	4220	28	72	18	120.96	21



What's Included:

2 door cabinet and keys for lock.

How to Specify:

Body refers to the top, side and back panels of the 2 door cabinet.

Face refers to the drawer front of the 2 door cabinet.

Drawer handles are finished in silver, black or white powder coat.

2 door cabinet can be keyed alike or keyed randomly for a workstation.

Lock is available in satin silver metal only.

Notes:

2 door cabinet is available in 30", 36" & 42" widths.

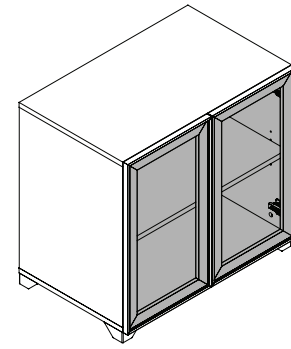
Metal handles on the drawers are standard.

Four levelers with a leveling range of 2.5-inches are included.

Options:

Width	30", 36", 42"	
Drawer position	L left	R right
Body Laminate	laminate color	
Face Laminate	laminate color	
Handle Color	Refer to metal paint card for metal paint colors	
Foot Color	Refer to metal paint card for metal paint colors	

Code	Price	H (in.)	W (in.)	D 1 (in.)	Weight (lb)	Volume (ft ³)
F-FS2L-283018	1319	28	30	18	50.4	8.75
F-FS2L-283618	1421	28	36	18	60.48	10.5
F-FS2L-284218	1528	28	42	18	70.56	12.25



What's Included:

2 door cabinet with acrylic doors.

How to Specify:

Body refers to the top, side and back panels of the 2 door cabinet.

Notes:

2 door cabinet is available in 30", 36" & 42" widths.

Doors are available in frost acrylic

Four levelers with a leveling range of 2.5-inches are included.

Options:

Width	30", 36", 42"
Acrylic doors	F frosted
Body Laminate	laminate color
Foot Color	Refer to metal paint card for metal paint colors

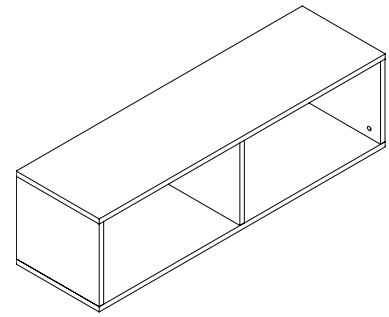
Code	Price	H (in.)	W (in.)	D 1 (in.)	Weight (lb)	Volume (ft ³)
F-FS2G-283018-F	2181	28	30	18	50.4	8.75
F-FS2G-283618-F	2350	28	36	18	60.48	10.5
F-FS2G-284218-F	2515	28	42	18	70.56	12.25



Scene Pricebook
January 2026
Flag Storage

flag storage

<u>open shelf</u>	84
<u>shared open shelf</u>	86
<u>left side flag storage</u>	87
<u>right side flag storage</u>	88



What's Included:

Open cabinet(1)

How to Specify:

Body refers to the top, side and back panels of the 4 door cabinet.

Face refers to the drawer front of the 4 door cabinet.

Drawer handles are finished in silver, black or white powder coat.

Feet are finished in silver, black or white powder coat.

4 door cabinet can be keyed alike or keyed randomly for a workstation.

Body refers to the top, side and back panels of the flag storage.

Notes:

Flag storage is available in 48", 54", 60", 66" & 72" widths.

Flag storage backing is available in solid laminate, frosted and tackboard.

Open shelf provides storage space for books, binders, and boxes.

Options:

Width 60", 66", 72"

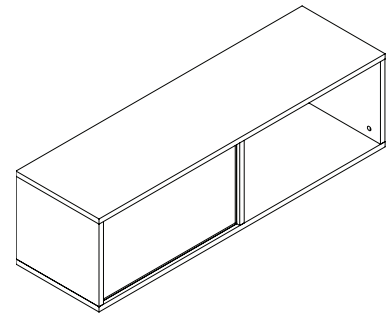
Body Laminate laminate color

Shelf backing **S** solid **F** frosted **T** tackboard

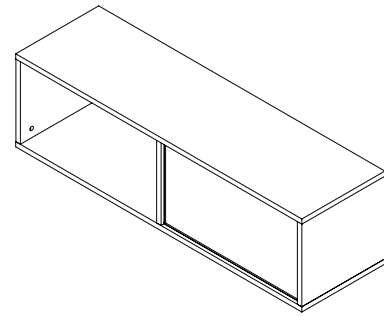
How to Order and Read your Code:

F product line **FS00** item **14** height **60** width **14** depth **X** shelf backing

Code	Price	H (in.)	W (in.)	D 1 (in.)	Weight (lb)	Volume (ft ³)
solid						
F-SFOO-144814-S	653	14	48	14	31.36	5.44
F-SFOO-145414-S	699	14	54	14	35.28	6.13
F-SFOO-146014-S	743	14	60	14	39.2	6.81
F-SFOO-146614-S	788	14	66	14	43.12	7.49
F-SFOO-147214-S	834	14	72	14	47.04	8.17
frosted acrylic						
F-SFOO-144814-F	849	14	48	14	31.36	5.44
F-SFOO-145414-F	923	14	54	14	35.28	6.13
F-SFOO-146014-F	993	14	60	14	39.2	6.81
F-SFOO-146614-F	1065	14	66	14	43.12	7.49
F-SFOO-147214-F	1138	14	72	14	47.04	8.17
tackboard						
F-SFOO-144814-T	844	14	48	14	31.36	5.44
F-SFOO-145414-T	906	14	54	14	35.28	6.13
F-SFOO-146014-T	967	14	60	14	39.2	6.81
F-SFOO-146614-T	1031	14	66	14	43.12	7.49
F-SFOO-147214-T	1090	14	72	14	47.04	8.17



right side open - SFSO



left side open - SFOS

What's Included:

Open cabinet(1)

How to Specify:

Body refers to the top, side and back panels of the flag storage.

Notes:

Flag storage is available in 48", 54", 60", 66" & 72" widths.

Flag storage backing is available in solid laminate, frosted acrylic and tackboard.

Open shelf provides storage space for books, binders, and boxes.

Options:

Open shelf side	OS left	SO right
Width	48", 54", 60", 66", 72"	
Body Laminate	laminate color	
Shared backing	S solid	F frosted T tackboard

left side flag storage

Code	Price	H (in.)	W (in.)	D 1 (in.)	Weight (lb)	Volume (ft ³)
solid						
F-SFSO-144814-S	686	14	48	14	31.36	5.44
F-SFSO-145414-S	730	14	54	14	35.28	6.13
F-SFSO-146014-S	780	14	60	14	39.2	6.81
F-SFSO-146614-S	821	14	66	14	43.12	7.49
F-SFSO-147214-S	870	14	72	14	47.04	8.17
frosted acrylic						
F-SFSO-144814-F	879	14	48	14	31.36	5.44
F-SFSO-145414-F	947	14	54	14	35.28	6.13
F-SFSO-146014-F	1022	14	60	14	39.2	6.81
F-SFSO-146614-F	1090	14	66	14	43.12	7.49
F-SFSO-147214-F	1164	14	72	14	47.04	8.17
tackboard						
F-SFSO-144814-T	950	14	48	14	31.36	5.44
F-SFSO-145414-T	1009	14	54	14	35.28	6.13
F-SFSO-146014-T	1074	14	60	14	39.2	6.81
F-SFSO-146614-T	1138	14	66	14	43.12	7.49
F-SFSO-147214-T	1199	14	72	14	47.04	8.17

right side flag storage

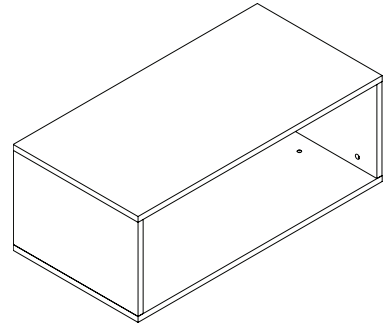
Code	Price	H (in.)	W (in.)	D 1 (in.)	Weight (lb)	Volume (ft ³)
solid						
F-SFOS-144814-S	686	14	48	14	31.36	5.44
F-SFOS-145414-S	730	14	54	14	35.28	6.13
F-SFOS-146014-S	780	14	60	14	39.2	6.81
F-SFOS-146614-S	821	14	66	14	43.12	7.49
F-SFOS-147214-S	870	14	72	14	47.04	8.17
frosted acrylic						
F-SFOS-144814-F	879	14	48	14	31.36	5.44
F-SFOS-145414-F	947	14	54	14	35.28	6.13
F-SFOS-146014-F	1022	14	60	14	39.2	6.81
F-SFOS-146614-F	1090	14	66	14	43.12	7.49
F-SFOS-147214-F	1164	14	72	14	47.04	8.17
tackboard						
F-SFOS-144814-T	950	14	48	14	31.36	5.44
F-SFOS-145414-T	1009	14	54	14	35.28	6.13
F-SFOS-146014-T	1074	14	60	14	39.2	6.81
F-SFOS-146614-T	1138	14	66	14	43.12	7.49
F-SFOS-147214-T	1199	14	72	14	47.04	8.17



Scene Pricebook
January 2026
**Credenza Mount
Storage**

credenza mount storage

<u>single level - open shelf</u>	92
<u>double level - open shelf</u>	94
<u>double level - open shelf/hinged door</u>	95
<u>double level - open shelf/frost door</u>	96
<u>double level - frost acrylic hinged door</u>	98
<u>double level - hinged door</u>	100



What's Included:

single level credenza mounted open shelf (1)

How to Specify:

Body refers to the top, side and back panels of the single level credenza mounted open shelf storage.

Notes:

Credenza mounted storage is available in 36", 48", 54", 60", 66" & 72" widths.

Credenza mounted storage backing is available in solid laminate and tackboard.

Open shelf provides storage space for books, binders, and boxes

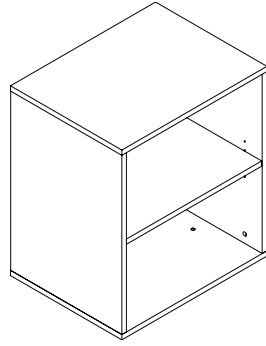
Options:

Width	36", 42", 48", 54", 60", 66", 72"		
Backing	S solid	F frosted	T tackboard
Body Laminate	laminate color		

How to Order and Read your Code:

F	CSOO	14	60	18	X
product line	item	height	width	depth	backing

Code	Price	H (in.)	W (in.)	D 1 (in.)	Weight (lb)	Volume (ft³)	Code	Price	H (in.)	W (in.)	D 1 (in.)	Weight (lb)	Volume (ft³)
solid							tackboard						
F-CSOO-143618-S	517	14	36	18	30.24	5.25	F-CSOO-143618-T	677	14	36	18	30.24	5.25
F-CSOO-144218-S	629	14	42	18	35.28	6.13	F-CSOO-144218-T	806	14	42	18	35.28	6.13
F-CSOO-144818-S	674	14	48	18	40.32	7	F-CSOO-144818-T	864	14	48	18	40.32	7
F-CSOO-145418-S	719	14	54	18	45.36	7.88	F-CSOO-145418-T	930	14	54	18	45.36	7.88
F-CSOO-146018-S	764	14	60	18	50.4	8.75	F-CSOO-146018-T	992	14	60	18	50.4	8.75
F-CSOO-146618-S	813	14	66	18	55.44	9.63	F-CSOO-146618-T	1054	14	66	18	55.44	9.63
F-CSOO-147218-S	859	14	72	18	60.48	10.5	F-CSOO-147218-T	1119	14	72	18	60.48	10.5
frosted acrylic													
F-CSOO-143618-F	662	14	36	18	30.24	5.25							
F-CSOO-144218-F	804	14	42	18	35.28	6.13							
F-CSOO-144818-F	877	14	48	18	40.32	7							
F-CSOO-145418-F	946	14	54	18	45.36	7.88							
F-CSOO-146018-F	1020	14	60	18	50.4	8.75							
F-CSOO-146618-F	1089	14	66	18	55.44	9.63							
F-CSOO-147218-F	1163	14	72	18	60.48	10.5							



What's Included:

Double level cabinet (1)

How to Specify:

Body refers to the top, side and back panels of the double level cabinet.

Notes:

Double level cabinet is available in 24", 30", 36", 42" & 48" widths.

Double level cabinet backing is available in solid laminate and tackboard.

Open shelf provides storage space for books, binders, and boxes.

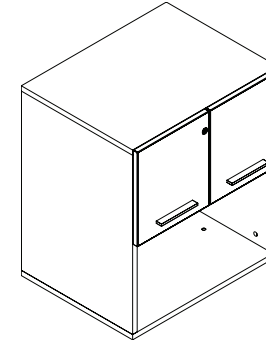
Options:

Width 24", 30", 36", 42", 48"

Backing **S** solid **T** tackboard

Body Laminate laminate color

Code	Price	H (in.)	W (in.)	D 1 (in.)	Weight (lb)	Volume (ft ³)
solid						
F-CDOO-272418-S	634	27	24	18	33.33	6.75
F-CDOO-273018-S	705	27	30	18	41.66	8.44
F-CDOO-273618-S	776	27	36	18	49.99	10.13
F-CDOO-274218-S	845	27	42	18	58.32	11.81
F-CDOO-274818-S	907	27	48	18	66.65	13.5
Tackboard						
F-CDOO-272418-T	812	27	24	18	33.33	6.75
F-CDOO-273018-T	907	27	30	18	41.66	8.44
F-CDOO-273618-T	1002	27	36	18	49.99	10.13
F-CDOO-274218-T	1095	27	42	18	58.32	11.81



What's Included:

Double level cabinet with hinged doors and an open bottom shelf(1), and keys for lock.

How to Specify:

Body refers to the top, side and back panels of the double level cabinet.

Face refers to the door front of the double level cabinet

Drawer handles are finished in silver, black or white powder coat.

Double level cabinet with hinged doors can be keyed alike or keyed randomly for a workstation.

Lock is available in satin silver metal only.

Options:

Width 24", 30", 36", 42"

Handle Color **H112** silver **H121** white **H122** black

Backing **S** solid **T** tackboard

Body Laminate laminate color

Face Laminate laminate color

Notes:

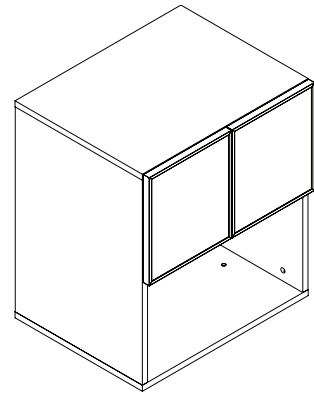
Double level cabinet is available in 24", 30", 36" & 42" widths.

Double level cabinet backing is available in solid laminate and tackboard.

Open shelf provides storage space for books, binders, and boxes.

Metal handles on the drawers are standard.

Code	Price	H (in.)	W (in.)	D 1 (in.)	Weight (lb)	Volume (ft ³)
solid						
F-CDDS-272418-S	1022	27	24	18	33.33	6.75
F-CDDS-273018-S	1104	27	30	18	41.66	8.44
F-CDDS-273618-S	1187	27	36	18	49.99	10.13
F-CDDS-274218-S	1272	27	42	18	58.32	11.81
Tackboard						
F-CDDS-272418-T	1114	27	24	18	33.33	6.75
F-CDDS-273018-T	1223	27	30	18	41.66	8.44
F-CDDS-273618-T	1330	27	36	18	49.99	10.13
F-CDDS-274218-T	1443	27	42	18	58.32	11.81



What's Included:

Double level cabinet with acrylic hinged doors and an open bottom shelf (1)

How to Specify:

Body refers to the top, side and back panels of the double level cabinet.

Notes:

Double level cabinet is available in 24", 30", 36" & 42" widths.

Double level cabinet backing is available in solid laminate and tackboard.

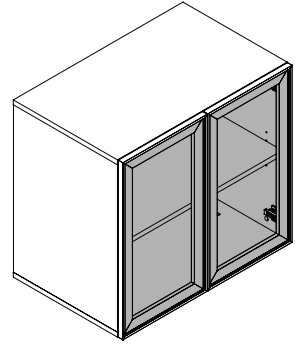
Doors are available in frost acrylic

Open shelf provides storage space for books, binders, and boxes.

Options:

Acrylic sliding door	F frosted
Width	24", 30", 36", 42"
Depth	18"
Backing	S solid T tackboard
Body Laminate	laminate color

Code	Price	H (in.)	W (in.)	D 1 (in.)	Weight (lb)	Volume (ft ³)
double level - open shelf/frost door						
solid						
F-CDDF-272418-S	1770	27	24	18	33.33	6.75
F-CDDF-273018-S	1900	27	30	18	41.66	8.44
F-CDDF-273618-S	2039	27	36	18	49.99	10.13
F-CDDF-274218-S	2173	27	42	18	58.32	11.81
tackboard						
F-CDDF-272418-T	1948	27	24	18	33.33	6.75
F-CDDF-273018-T	2107	27	30	18	41.66	8.44
F-CDDF-273618-T	2266	27	36	18	49.99	10.13
F-CDDF-274218-T	2422	27	42	18	58.32	11.81



What's Included:

Double level cabinet with acrylic hinged doors(1)

How to Specify:

Body refers to the top, side and back panels of the double level cabinet.

Notes:

Double level cabinet is available in 30", 36", 42" & 48" widths.

Double level cabinet backing is available in solid laminate and tackboard.

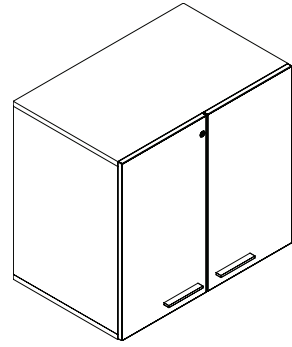
Doors are available in frost acrylic

Metal handles on the drawers are standard.

Options:

Acrylic sliding door	F frosted
Width	24", 30", 36", 42"
Depth	18"
Backing	S solid T tackboard
Body Laminate	laminate color

Code	Price	H (in.)	W (in.)	D 1 (in.)	Weight (lb)	Volume (ft ³)
double level - frost acrylic hinged door						
solid						
F-CDHF-273018-S	2209	27	30	18	38.88	8.44
F-CDHF-273618-S	2381	27	36	18	46.66	10.13
F-CDHF-274218-S	2551	27	42	18	54.43	11.81
F-CDHF-274818-S	2716	27	48	18	62.21	13.5
tackboard						
F-CDHF-273018-T	2413	27	30	18	38.88	8.44
F-CDHF-273018-T	2413	27	30	18	46.66	10.13
F-CDHF-273018-T	2413	27	30	18	54.43	11.81
F-CDHF-273018-T	2413	27	30	18	62.21	13.5



What's Included:

Double level cabinet with hinged doors(1), and keys for lock.

How to Specify:

Body refers to the top, side and back panels of the double level cabinet.

Face refers to the door front of the double level cabinet.

Drawer handles are finished in silver, black or white powder coat.

Double level cabinet with hinged doors can be keyed alike or keyed randomly for a workstation.

Lock is available in satin silver metal only.

Options:

Width	30", 36", 42", 48"		
Backing	S solid	T tackboard	
Body Laminate	laminate color		
Face Laminate	laminate color		
Handle Color	H112 silver	H121 white	H122 black

Notes:

Double level cabinet is available in 30", 36", 42" & 48" widths.

Double level cabinet backing is available in solid laminate and tackboard.

Metal handles on the drawers are standard.

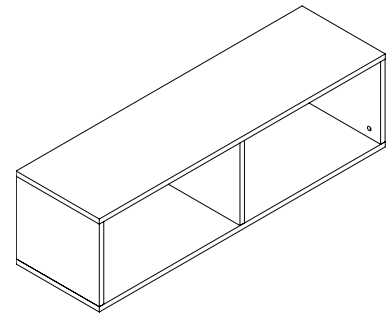
Code	Price	H (in.)	W (in.)	D 1 (in.)	Weight (lb)	Volume (ft ³)
solid						
F-CDHS-273018-S	1172	27	30	18	38.88	8.44
F-CDHS-273618-S	1269	27	36	18	46.66	10.13
F-CDHS-274218-S	1360	27	42	18	54.43	11.81
F-CDHS-274818-S	1446	27	48	18	62.21	13.5
Tackboard						
F-CDHS-273618-T	1408	27	36	18	38.88	8.44
F-CDHS-274218-T	1528	27	42	18	46.66	10.13
F-CDHS-274818-T	1630	27	48	18	54.43	11.81
F-CDHS-273018-T	1293	27	30	18	62.21	13.5



Scene Pricebook
January 2026
**Wall Mounted
Storage**

wall mounted storage

<u>open shelf</u>	104
<u>hinged door hutch</u>	105
<u>frost acrylic hinged door hutch</u>	106



What's Included:

Wall mounted open shelf (1)

How to Specify:

Body refers to the top, side and back panels of the wall mounted open shelf.

Notes:

Wall mounted storage is available in 36", 48", 54", 60", 66" & 72" widths.

Open shelf provides storage space for books, binders, and boxes.

Options:

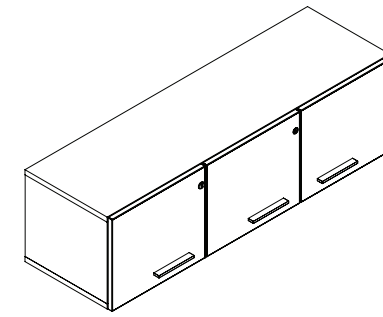
Width 36", 42", 48", 54", 60", 66", 72"

Body Laminate laminate color

How to Order and Read your Code:

F **SWOO** **14** **54** **14** **S**
 product line item height width depth back

Code	Price	H (in.)	W (in.)	D 1 (in.)	Weight (lb)	Volume (ft ³)
F-SWOO-143614-S	570	14	36	14	21.6	4.08
F-SWOO-144214-S	625	14	42	14	25.2	4.76
F-SWOO-144814-S	730	14	48	14	28.8	5.44
F-SWOO-145414-S	786	14	54	14	32.4	6.13
F-SWOO-146014-S	838	14	60	14	36	6.81
F-SWOO-146614-S	891	14	66	14	39.6	7.49
F-SWOO-147214-S	944	14	72	14	43.2	8.17



What's Included:

Wall mounted shelf with hinged doors (1), and keys for lock.

How to Specify:

Body refers to the top, side and back panels of the wall mounted storage.

Face refers to the door front of the all mounted storage.

Notes:

Wall mounted storage is available in 36", 48", 54", 60", 66" & 72" widths.

Metal handles on the drawers are standard.

Options:

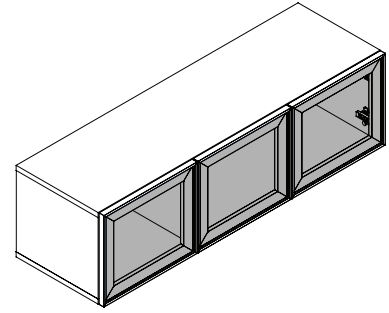
Width 36", 42", 48", 54", 60", 66", 72"

Body Laminate laminate color

Face Laminate laminate color

Handle Color **H112** silver **H121** white **H122** black

Code	Price	H (in.)	W (in.)	D 1 (in.)	Weight (lb)	Volume (ft ³)
F-SWHS-143614-S	900	14	36	14	21.6	4.08
F-SWHS-144214-S	967	14	42	14	25.2	4.76
F-SWHS-144814-S	1232	14	48	14	28.8	5.44
F-SWHS-145414-S	1303	14	54	14	32.4	6.13
F-SWHS-146014-S	1528	14	60	14	36	6.81
F-SWHS-146614-S	1596	14	66	14	39.6	7.49
F-SWHS-147214-S	1663	14	72	14	43.2	8.17



What's Included:

Wall mounted shelf with hinged doors (1)

How to Specify:

Body refers to the top, side and back panels of the wall mounted open storage.

Notes:

Wall mounted storage is available in 36", 48", 54", 60", 66" & 72" widths.

Doors are available in frost and spider acrylic

Options:

Acrylic hinged door	F frosted
Width	36", 48", 54", 60", 66", 72"
Body Laminate	laminate color
Face laminate	laminate color

Code	Price	H (in.)	W (in.)	D 1 (in.)	Weight (lb)	Volume (ft ³)
F-SWHF-143614-S	1850	14	36	14	21.6	4.08
F-SWHF-144214-S	1970	14	42	14	25.2	4.76
F-SWHF-144814-S	2590	14	48	14	28.8	5.44
F-SWHF-145414-S	2709	14	54	14	32.4	6.13
F-SWHF-146014-S	3328	14	60	14	36	6.81
F-SWHF-146614-S	3449	14	66	14	39.6	7.49
F-SWHF-147214-S	3566	14	72	14	43.2	8.17

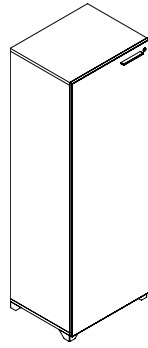


Scene Pricebook
January 2026

Towers

tower

<u>closet</u>	110
<u>acrylic door closet</u>	111
<u>storage</u>	112
<u>acrylic door storage</u>	114
<u>combo storage - closet / cabinet</u>	116
<u>acrylic door cabinet / combo storage - closet</u>	117
<u>combo storage - closet / BBF / cabinet</u>	118
<u>acrylic door cabinet / BBF / combo storage - closet</u>	119
<u>combo storage - closet / FF / cabinet</u>	120
<u>combo storage - closet / FF / acrylic door cabinet</u>	122



left hand shown

What's Included:

Tower closet with hinged door and keys for lock.

How to Specify:

Body refers to the top, side and back panels of the tower closet.

Face refers to the door front of the tower closet.

Closet can be keyed alike or keyed randomly for a workstation.

Lock is available in satin silver metal only.

Refer to metal paint card for metal paint colors.

Notes:

Tower closet is available in 56" & 70" heights.

Tower closet is available in 18" & 24" depths.

Metal handles on the drawers are standard.

Four levelers with a leveling range of 2.5-inches are included.

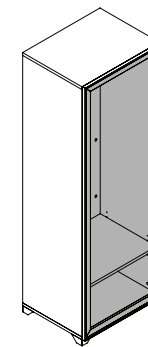
Options:

Height	56", 70"
Depth	18", 24"
Door hinged side	L left R right
Body Laminate	laminate color
Face Laminate	laminate color
Handle Color	Refer to metal paint card for metal paint colors

How to Order and Read your Code:

F **FTCS** **54** **24** **18** **L**
 product line item height width depth door hinged side

Code	Price	H (in.)	W (in.)	D 1 (in.)	Weight (lb)	Volume (ft ³)
F-FTCF-562418-L	2649	56	24	18	40.32	14
F-FTCF-562418-R	2649	56	24	18	40.32	14
F-FTCF-562424-L	2654	56	24	24	53.76	18.67
F-FTCF-562424-R	2654	56	24	24	53.76	18.67
F-FTCF-702418-L	2976	70	24	18	50.4	17.5
F-FTCF-702418-R	2976	70	24	18	50.4	17.5
F-FTCF-702424-L	2992	70	24	24	67.2	23.33
F-FTCF-702424-R	2992	70	24	24	67.2	23.33



left hand shown

What's Included:

Tower closet with acrylic hinged door

How to Specify:

Body refers to the top, side and back panels of the tower closet.

Tower closet can be keyed alike or keyed randomly for a workstation.

Lock is available in satin silver metal only.

Refer to metal paint card for metal paint colors

Notes:

Tower closet is available in 56" & 70" heights.

Tower closet is available in 18" & 24" depths.

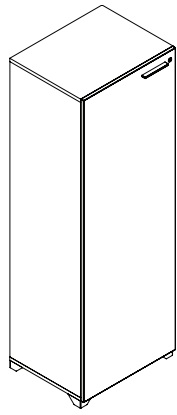
Door is available in frost acrylic

Four levelers with a leveling range of 2.5-inches are included.

Options:

Acrylic door	F frosted
Height	56", 70"
Depth	18", 24"
Door hinged side	L left R right
Body Laminate	laminate color
Face Laminate	laminate color

Code	Price	H (in.)	W (in.)	D 1 (in.)	Weight (lb)	Volume (ft ³)
F-FTCS-562418-L	1696	56	24	18	40.32	14
F-FTCS-562418-R	1696	56	24	18	40.32	14
F-FTCS-562424-L	1698	56	24	24	53.76	18.67
F-FTCS-562424-R	1698	56	24	24	53.76	18.67
F-FTCS-702418-L	1867	70	24	18	50.4	17.5
F-FTCS-702418-R	1867	70	24	18	50.4	17.5
F-FTCS-702424-L	1880	70	24	24	67.2	23.33
F-FTCS-702424-R	1880	70	24	24	67.2	23.33



left hand shown

What's Included:

Tower storage with hinged door and keys for lock.

How to Specify:

Body refers to the top, side and back panels of the storage tower.

Face refers to the door front of the storage tower.

Tower storage can be keyed alike or keyed randomly for a workstation.

Lock is available in satin silver metal only.

Refer to metal paint card for metal paint colors.

Notes:

Tower storage is available in 56" & 70" heights.

Tower storage is available in 18" & 24" widths.

Tower storage is available in 18" & 24" depths.

Metal handles on the drawers are standard.

Four levelers with a leveling range of 2.5-inches are included.

Options:

Height 56", 70"

Width 18", 24"

Depth 18", 24"

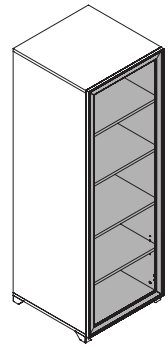
Door hinged side **L** left **R** right

Body Laminate laminate color

Face Laminate laminate color

Handle Color Refer to metal paint card for metal paint colors

Code	Price	H (in.)	W (in.)	D 1 (in.)	Weight (lb)	Volume (ft ³)
F-FTSS-561818-L	1574	56	18	18	36.29	10.5
F-FTSS-561818-R	1574	56	18	18	36.29	10.5
F-FTSS-561824-L	1690	56	18	24	48.38	14
F-FTSS-561824-R	1690	56	18	24	48.38	14
F-FTSS-562418-L	1735	56	24	18	48.38	14
F-FTSS-562418-R	1735	56	24	18	48.38	14
F-FTSS-562424-L	1865	56	24	24	64.51	18.67
F-FTSS-562424-R	1865	56	24	24	64.51	18.67
F-FTSS-701818-L	1797	70	18	18	45.36	13.13
F-FTSS-701818-R	1797	70	18	18	45.36	13.13
F-FTSS-701824-L	1934	70	18	24	60.48	17.5
F-FTSS-701824-R	1934	70	18	24	60.48	17.5
F-FTSS-702418-L	1988	70	24	18	60.48	17.5
F-FTSS-702418-R	1988	70	24	18	60.48	17.5
F-FTSS-702424-L	2144	70	24	24	80.64	23.33
F-FTSS-702424-R	2144	70	24	24	80.64	23.33



left hand shown

What's Included:

Tower storage with acrylic hinged door.

How to Specify:

Body refers to the top, side and back panels of the tower closet.

Refer to metal paint card for metal paint colors.

Notes:

Tower storage is available in 56" & 70" heights.

Tower storage is available in 18" & 24" depths.

Door is available in frost acrylic

Four levelers with a leveling range of 2.5-inches are included.

Options:

Acrylic door **F** frosted

Height 56", 70"

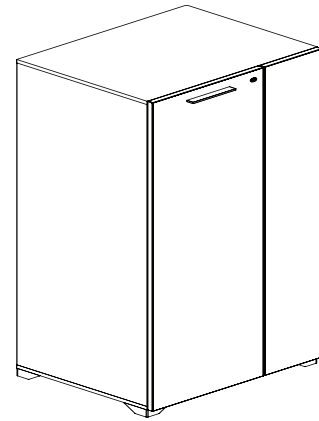
Depth 18", 24"

Door hinged side **L** left **R** right

Body Laminate laminate color

Face Laminate laminate color

Code	Price	H (in.)	W (in.)	D 1 (in.)	Weight (lb)	Volume (ft ³)
frosted						
F-FTSF-561818-L	2395	56	18	18	36.29	10.5
F-FTSF-561818-R	2395	56	18	18	36.29	10.5
F-FTSF-561824-L	2508	56	18	24	48.38	14
F-FTSF-561824-R	2508	56	18	24	48.38	14
F-FTSF-562418-L	2685	56	24	18	48.38	14
F-FTSF-562418-R	2685	56	24	18	48.38	14
F-FTSF-562424-L	2814	56	24	24	64.51	18.67
F-FTSF-562424-R	2814	56	24	24	64.51	18.67
F-FTSF-701818-L	2749	70	18	18	45.36	13.13
F-FTSF-701818-R	2749	70	18	18	45.36	13.13
F-FTSF-701824-L	2883	70	18	24	60.48	17.5
F-FTSF-701824-R	2883	70	18	24	60.48	17.5
F-FTSF-702418-L	3098	70	24	18	60.48	17.5
F-FTSF-702418-R	3098	70	24	18	60.48	17.5
F-FTSF-702424-L	3254	70	24	24	80.64	23.33
F-FTSF-702424-R	3254	70	24	24	80.64	23.33



right side cabinet

What's Included:

Tower combo storage and keys for lock.

How to Specify:

Body refers to the top, side and back panels of the tower combo storage.

Face refers to the door front of the tower combo storage.

Refer to metal paint card for metal paint colors.

Tower combo storage can be keyed alike or keyed randomly for a workstation.

Lock is available in satin silver metal only.

Notes:

Tower combo storage is available in 56" & 70" heights.

Tower combo storage is available in 18" & 24" depths.

Metal handles on the drawers are standard.

Four levelers with a leveling range of 2.5-inches are included.

Options:

Height 56", 70"

Depth 18", 24"

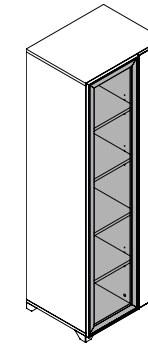
Door hinged side **L** left **R** right

Body Laminate laminate color

Face Laminate laminate color

Handle Color Refer to metal paint card for metal paint colors

Code	Price	H (in.)	W (in.)	D 1 (in.)	Weight (lb)	Volume (ft ³)
F-FCCS-562418-L	2095	56	24	18	53.76	14
F-FCCS-562418-R	2095	56	24	18	53.76	14
F-FCCS-562424-L	2230	56	24	24	71.68	18.67
F-FCCS-562424-R	2230	56	24	24	71.68	18.67
F-FCCS-702418-L	2413	70	24	18	67.2	17.5
F-FCCS-702418-R	2413	70	24	18	67.2	17.5
F-FCCS-702424-L	2584	70	24	24	89.6	23.33
F-FCCS-702424-R	2584	70	24	24	89.6	23.33



right side cabinet

What's Included:

Tower combo storage with acrylic hinged door.

How to Specify:

Body refers to the top, side and back panels of the tower combo storage.

Refer to metal paint card for metal paint colors.

Notes:

Tower combo storage is available in 56" & 70" heights.

Tower combo storage is available in 18" & 24" depths.

Storage door is available in frost and spider acrylic

Four levelers with a leveling range of 2.5-inches are included.

Options:

Acrylic sliding door **F** frosted

Height 56", 70"

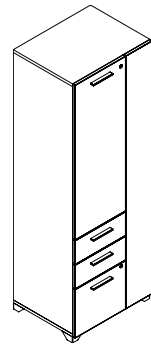
Depth 18", 24"

Door hinged side **L** left **R** right

Body Laminate laminate color

Handle Color Refer to metal paint card for metal paint colors

Code	Price	H (in.)	W (in.)	D 1 (in.)	Weight (lb)	Volume (ft ³)
F-FCCF-562418-L	2874	56	24	18	53.76	14
F-FCCF-562418-R	2874	56	24	18	53.76	14
F-FCCF-562424-L	3011	56	24	24	71.68	18.67
F-FCCF-562424-R	3011	56	24	24	71.68	18.67
F-FCCF-702418-L	3315	70	24	18	67.2	17.5
F-FCCF-702418-R	3315	70	24	18	67.2	17.5
F-FCCF-702424-L	3483	70	24	24	89.6	23.33
F-FCCF-702424-R	3483	70	24	24	89.6	23.33



right side cabinet

What's Included:

Tower combo storage (box/box/file drawer configuration) and keys for lock.

How to Specify:

Body refers to the top, side and back panels of the tower combo storage.

Face refers to the drawer front of the tower combo storage.

Refer to metal paint card for metal paint colors.

Tower combo storage can be keyed alike or keyed randomly for a workstation.

Lock is available in satin silver metal only.

Options:

Height 56", 70"

Depth 18", 24"

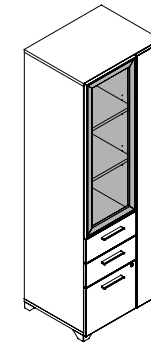
Door hinged side **L** left **R** right

Body Laminate laminate color

Face Laminate laminate color

Handle Color Refer to metal paint card for metal paint colors

Code	Price	H (in.)	W (in.)	D 1 (in.)	Weight (lb)	Volume (ft ³)
F-FCBS-562418-L	2703	56	24	18	60.48	14
F-FCBS-562418-R	2703	56	24	18	60.48	14
F-FCBS-562424-L	2838	56	24	24	80.64	18.67
F-FCBS-562424-R	2838	56	24	24	80.64	18.67
F-FCBS-702418-L	3018	70	24	18	75.6	17.5
F-FCBS-702418-R	3018	70	24	18	75.6	17.5
F-FCBS-702424-L	3188	70	24	24	100.8	23.33
F-FCBS-702424-R	3188	70	24	24	100.8	23.33



right side cabinet

What's Included:

Tower combo storage with acrylic hinged door (box/box/file drawer configuration).

How to Specify:

Body refers to the top, side and back panels of the tower combo storage closet.

Refer to metal paint card for metal paint colors.

Options:

Acrylic sliding door **F** frosted

Height 56", 70"

Width 24"

Depth 18", 24"

Door hinged side **L** left **R** right

Body Laminate laminate color

Handle Color Refer to metal paint card for metal paint colors

Notes:

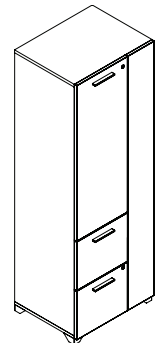
Tower combo storage is available in 56" & 70" heights.

Tower combo storage is available in 18" & 24" depths.

Storage door is available in frost r acrylic

Four levelers with a leveling range of 2.5-inches are included.

Code	Price	H (in.)	W (in.)	D 1 (in.)	Weight (lb)	Volume (ft ³)
F-FCBF-562418-L	3107	56	24	18	60.48	14
F-FCBF-562418-R	3107	56	24	18	60.48	14
F-FCBF-562424-L	3239	56	24	24	80.64	18.67
F-FCBF-562424-R	3239	56	24	24	80.64	18.67
F-FCBF-702418-L	3534	70	24	18	75.6	17.5
F-FCBF-702418-R	3534	70	24	18	75.6	17.5
F-FCBF-702424-L	3705	70	24	24	100.8	23.33
F-FCBF-702424-R	3705	70	24	24	100.8	23.33



right side cabinet

What's Included:

Tower combo storage (file/file drawer configuration) and keys for lock.

How to Specify:

Body refers to the top, side and back panels of the tower combo storage closet.

Face refers to the drawer front of the tower combo storage.

Refer to metal paint card for metal paint colors.

Tower combo storage can be keyed alike or keyed randomly for a workstation.

Lock is available in satin silver metal only.

Notes:

Tower combo storage is available in 56" & 70" heights.

Tower combo storage is available in 18" & 24" depths.

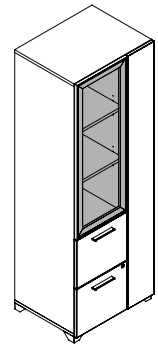
Storage door is available in frost acrylic

Four levelers with a leveling range of 2.5-inches are included.

Options:

Height	56", 70"
Width	24"
Depth	18", 24"
Door hinged side	L left R right
Body Laminate	laminate color
Handle Color	Refer to metal paint card for metal paint colors.

Code	Price	H (in.)	W (in.)	D 1 (in.)	Weight (lb)	Volume (ft ³)
F-FCFS-562418-L	2511	56	24	18	60.48	14
F-FCFS-562418-R	2511	56	24	18	60.48	14
F-FCFS-562424-L	2644	56	24	24	80.64	18.67
F-FCFS-562424-R	2644	56	24	24	80.64	18.67
F-FCFS-702418-L	2830	70	24	18	75.6	17.5
F-FCFS-702418-R	2830	70	24	18	75.6	17.5
F-FCFS-702424-L	2998	70	24	24	100.8	23.33
F-FCFS-702424-R	2998	70	24	24	100.8	23.33



right side cabinet

What's Included:

Tower combo storage with acrylic hinged door (file/file drawer configuration).

How to Specify:

Body refers to the top, side and back panels of the tower combo storage closet.

Refer to metal paint card for metal paint colors.

Tower combo storage can be keyed alike or keyed randomly for a workstation.

Lock is available in satin silver metal only.

Notes:

Tower combo storage is available in 56" & 70" heights.

Tower combo storage is available in 18" & 24" depths.

Storage door is available in frost acrylic

Four levelers with a leveling range of 2.5-inches are included.

Options:

Acrylic door	F frosted
Height	56", 70"
Width	24"
Depth	18", 24"
Door hinged side	L left R right
Body Laminate	laminate color
Handle Color	Refer to metal paint card for metal paint colors.

Code	Price	H (in.)	W (in.)	D 1 (in.)	Weight (lb)	Volume (ft ³)
F-FCFF-562418-L	2910	56	24	18	60.48	14
F-FCFF-562418-R	2910	56	24	18	60.48	14
F-FCFF-562424-L	3042	56	24	24	80.64	18.67
F-FCFF-562424-R	3042	56	24	24	80.64	18.67
F-FCFF-702418-L	3341	70	24	18	75.6	17.5
F-FCFF-702418-R	3341	70	24	18	75.6	17.5
F-FCFF-702424-L	3509	70	24	24	100.8	23.33
F-FCFF-702424-R	3509	70	24	24	100.8	23.33



Scene Pricebook
January 2026
Surfaces

surface

type 1 |

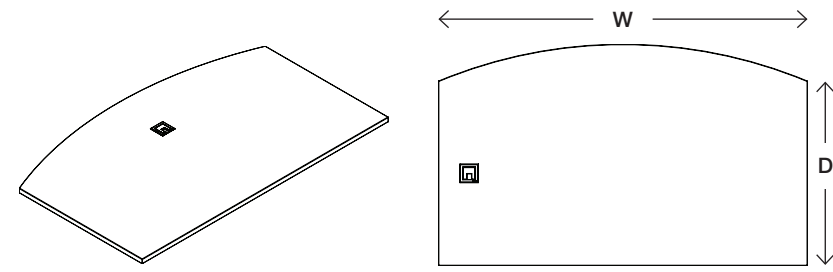
arc worksurface w/ center grommet	126
arc worksurface w/ side grommet	128
straight worksurface w/ center grommet	130
straight worksurface w/ side grommet	132
straight worksurface without grommet	134
unitized desk w/ side grommet	136
D worksurface w/ side grommet	138

credenza mounted

D worksurface w/ side grommet	140
straight worksurface	142
straight return w/ center grommet	144

flag storage

(single full side)	146
(single shared side)	148
(full / shared)	150
(shared / shared)	152



What's Included:

Arc worksurface (1) with a center grommet (1).

How to Specify:

Worksurface can be supported by a high credenza and a single support leg, a high credenza with one support gable or two support gables.

Square grommet can be specified in silver, white or black.

Edge color will default to match the surface color of the worksurface unless otherwise specified.

Notes:

Arc worksurface is 1-inch thick.

All worksurfaces have 2mm vinyl edge trim.

Low pressure laminate is available on the top surface of a worksurface.

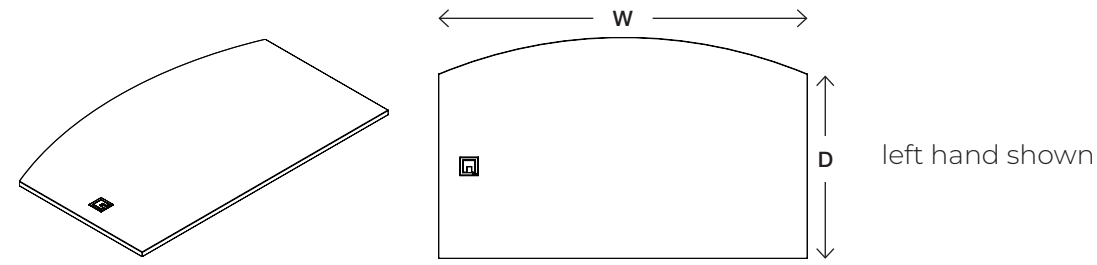
Options:

Width	60", 66", 72", 78", 84"		
Depth	30", 36"		
Grommet Color	P112 silver	P121 white	P114 black
Worksurface Laminate	laminate color		

How to Order and Read your Code:

F	WA0G	60	30
product line	item	width	depth

Code	Price	H (in.)	W (in.)	D 1 (in.)	Weight (lb)	Volume (ft ³)
F-WA0G-6030	1093	1	60	30	40	1.25
F-WA0G-6630	1171	1	66	30	44	1.38
F-WA0G-7230	1245	1	72	30	48	1.5
F-WA0G-7830	1283	1	78	30	52	1.63
F-WA0G-8430	1319	1	84	30	56	1.75
F-WA0G-6036	1149	1	60	36	48	1.46
F-WA0G-6636	1210	1	66	36	52.8	1.6
F-WA0G-7236	1286	1	72	36	57.6	1.75
F-WA0G-7836	1319	1	78	36	62.4	1.9
F-WA0G-8436	1356	1	84	36	67.2	2.04



What's Included:

Arc worksurface (1) with a side grommet (1).

How to Specify:

Worksurface can be supported by a high credenza and a single support leg, a high credenza with one support gable or two support gables.

Square grommet can be specified in silver, white or black.

Edge color will default to match the surface color of the worksurface unless otherwise specified.

Notes:

Arc worksurface is 1-inch thick.

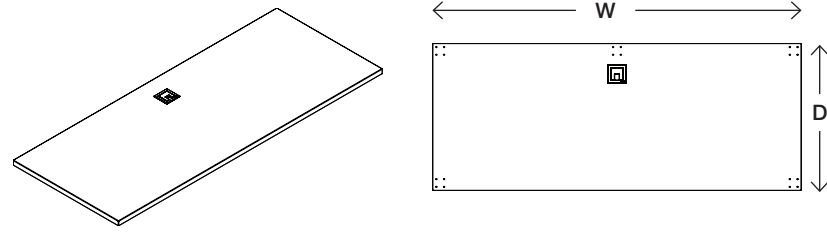
All worksurfaces have 2mm vinyl edge trim.

Low pressure laminate is available on the top surface of a worksurface.

Options:

Width	60", 66", 72", 78", 84"		
Depth	30", 36"		
Grommet side	L left	R right	
Grommet Color	P112 silver	P121 white	P114 black
Worksurface Laminate	laminate color		

Code	Price	H (in.)	W (in.)	D 1 (in.)	Weight (lb)	Volume (ft ³)
F-WASG-6030-L	1093	1	60	30	40	1.25
F-WASG-6030-R	1093	1	60	30	40	1.25
F-WASG-6036-L	1149	1	60	36	48	1.46
F-WASG-6036-R	1149	1	60	36	48	1.46
F-WASG-6630-L	1171	1	66	30	44	1.38
F-WASG-6630-R	1171	1	66	30	44	1.38
F-WASG-6636-L	1210	1	66	36	52.8	1.6
F-WASG-6636-R	1210	1	66	36	52.8	1.6
F-WASG-7230-L	1245	1	72	30	48	1.5
F-WASG-7230-R	1245	1	72	30	48	1.5
F-WASG-7236-L	1286	1	72	36	57.6	1.75
F-WASG-7236-R	1286	1	72	36	57.6	1.75
F-WASG-7830-L	1283	1	78	30	52	1.63
F-WASG-7830-R	1283	1	78	30	52	1.63
F-WASG-7836-L	1319	1	78	36	62.4	1.9
F-WASG-7836-R	1319	1	78	36	62.4	1.9
F-WASG-8430-L	1319	1	84	30	56	1.75
F-WASG-8430-R	1319	1	84	30	56	1.75
F-WASG-8436-L	1356	1	84	36	67.2	2.04
F-WASG-8436-R	1356	1	84	36	67.2	2.04



What's Included:

Straight worksurface (1) with a center grommet (1).

How to Specify:

Worksurface can be supported by a high credenza and a single support leg, a high credenza with one support gable or two support gables.

Square grommet can be specified in silver, white or black.

Edge color will default to match the surface color of the worksurface unless otherwise specified.

Notes:

Straight worksurface is 1-inch thick.

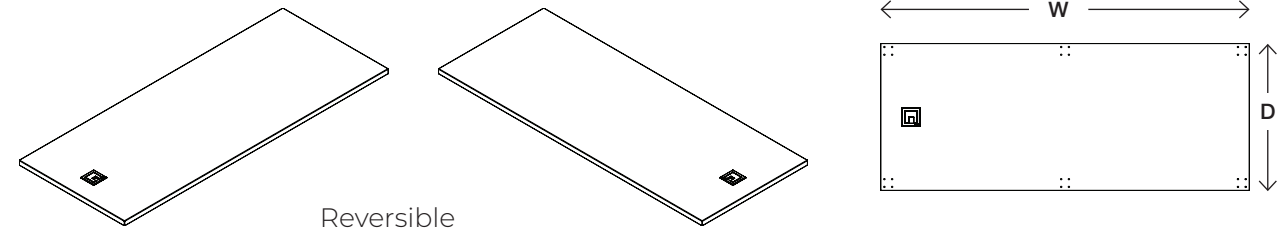
All worksurfaces have 2mm vinyl edge trim.

Low pressure laminate is available on the top surface of a worksurface.

Options:

Width	36", 42", 48", 54", 60", 66", 72", 78", 84", 90", 94"		
Depth	24", 30", 36"		
Grommet Color	P112 silver	P121 white	P114 black
Worksurface Laminate	laminate color		

Code	Price	H (in.)	W (in.)	D 1 (in.)	Weight (lb)	Volume (ft ³)
F-WS0G-3624	360	1	36	24	17.28	0.5
F-WS0G-4224	421	1	42	24	20.16	0.58
F-WS0G-4824	453	1	48	24	23.04	0.67
F-WS0G-5424	545	1	54	24	25.92	0.75
F-WS0G-6024	571	1	60	24	28.8	0.83
F-WS0G-6624	637	1	66	24	31.68	0.92
F-WS0G-7224	662	1	72	24	34.56	1
F-WS0G-7824	719	1	78	24	37.44	1.08
F-WS0G-8424	783	1	84	24	40.32	1.17
F-WS0G-9024	887	1	90	24	43.2	1.25
F-WS0G-9624	960	1	96	24	46.08	1.33
F-WS0G-3630	434	1	36	30	21.6	0.63
F-WS0G-4230	472	1	42	30	25.2	0.73
F-WS0G-4830	511	1	48	30	28.8	0.83
F-WS0G-5430	570	1	54	30	32.4	0.94
F-WS0G-6030	602	1	60	30	36	1.04
F-WS0G-6630	686	1	66	30	39.6	1.15
F-WS0G-7230	705	1	72	30	43.2	1.25
F-WS0G-7830	764	1	78	30	46.8	1.35
F-WS0G-8430	827	1	84	30	50.4	1.46
F-WS0G-9030	943	1	90	30	54	1.56
F-WS0G-9630	1020	1	96	30	57.6	1.67
F-WS0G-3636	453	1	36	36	25.92	0.75
F-WS0G-4236	486	1	42	36	30.24	0.88
F-WS0G-4836	534	1	48	36	34.56	1
F-WS0G-5436	594	1	54	36	38.88	1.13
F-WS0G-6036	629	1	60	36	43.2	1.25
F-WS0G-6636	716	1	66	36	47.52	1.38
F-WS0G-7236	736	1	72	36	51.84	1.5
F-WS0G-7836	799	1	78	36	56.16	1.63
F-WS0G-8436	864	1	84	36	60.48	1.75
F-WS0G-9036	984	1	90	36	64.8	1.88
F-WS0G-9636	1062	1	96	36	69.12	2



What's Included:

Straight worksurface (1) with a side grommet (1).

How to Specify:

Worksurface can be supported by a high credenza and a single support leg, a high credenza with one support gable or two support gables.

Square grommet can be specified in silver, white or black.

Edge color will default to match the surface color of the worksurface unless otherwise specified.

Notes:

Straight worksurface is 1-inch thick.

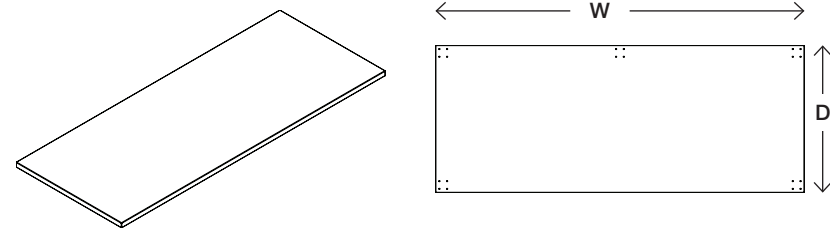
All worksurfaces have 2mm vinyl edge trim.

Low pressure laminate is available on the top surface of a worksurface.

Options:

Width	36", 42", 48", 54", 60", 66", 72", 78", 84", 90", 94"		
Depth	24", 30", 36"		
Grommet side	Reversible		
Grommet Color	P112 silver	P121 white	P114 black
Worksurface Laminate	laminate color		

Code	Price	H (in.)	W (in.)	D 1 (in.)	Weight (lb)	Volume (ft ³)
F-WSSG-3624	360	1	36	24	17.28	0.5
F-WSSG-4224	421	1	42	24	20.16	0.58
F-WSSG-4824	453	1	48	24	23.04	0.67
F-WSSG-5424	545	1	54	24	25.92	0.75
F-WSSG-6024	571	1	60	24	28.8	0.83
F-WSSG-6624	637	1	66	24	31.68	0.92
F-WSSG-7224	662	1	72	24	34.56	1
F-WSSG-7824	719	1	78	24	37.44	1.08
F-WSSG-8424	783	1	84	24	40.32	1.17
F-WSSG-9024	887	1	90	24	43.2	1.25
F-WSSG-9624	960	1	96	24	46.08	1.33
F-WSSG-3630	434	1	36	30	21.6	0.63
F-WSSG-4230	472	1	42	30	25.2	0.73
F-WSSG-4830	511	1	48	30	28.8	0.83
F-WSSG-5430	570	1	54	30	32.4	0.94
F-WSSG-6030	602	1	60	30	36	1.04
F-WSSG-6630	686	1	66	30	39.6	1.15
F-WSSG-7230	705	1	72	30	43.2	1.25
F-WSSG-7830	764	1	78	30	46.8	1.35
F-WSSG-8430	827	1	84	30	50.4	1.46
F-WSSG-9030	943	1	90	30	54	1.56
F-WSSG-9630	1020	1	96	30	57.6	1.67
F-WSSG-3636	453	1	36	36	25.92	0.75
F-WSSG-4236	486	1	42	36	30.24	0.88
F-WSSG-4836	534	1	48	36	34.56	1
F-WSSG-5436	594	1	54	36	38.88	1.13
F-WSSG-6036	629	1	60	36	43.2	1.25
F-WSSG-6636	716	1	66	36	47.52	1.38
F-WSSG-7236	736	1	72	36	51.84	1.5
F-WSSG-7836	799	1	78	36	56.16	1.63
F-WSSG-8436	864	1	84	36	60.48	1.75
F-WSSG-9036	984	1	90	36	64.8	1.88
F-WSSG-9636	1062	1	96	36	69.12	2



What's Included:

Straight worksurface (1).

How to Specify:

Worksurface can be supported by a high credenza and a single support leg, a high credenza with one support gable or two support gables.

Edge color will default to match the surface color of the worksurface unless otherwise specified.

Notes:

Straight worksurface is 1-inch thick.

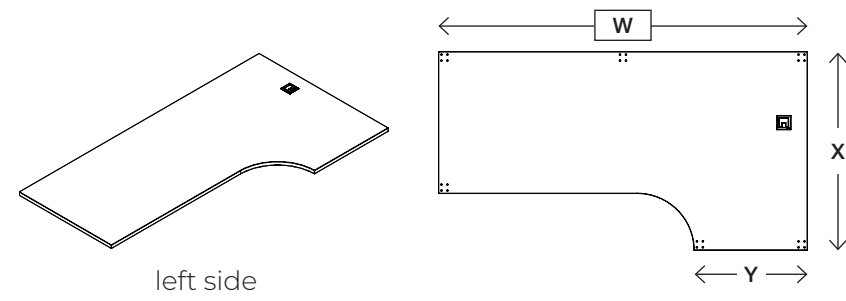
All worksurfaces have 2mm vinyl edge trim.

Low pressure laminate is available on the top surface of a worksurface.

Options:

Width	36", 42", 48", 54", 60", 66", 72", 78", 84", 90", 94"
Depth	24", 30", 36"
Worksurface Laminate	laminate color

Code	Price	H (in.)	W (in.)	D 1 (in.)	Weight (lb)	Volume (ft ³)
F-WS0N-3624	334	1	36	24	17.28	0.5
F-WS0N-4224	397	1	42	24	20.16	0.58
F-WS0N-4824	424	1	48	24	23.04	0.67
F-WS0N-5424	517	1	54	24	25.92	0.75
F-WS0N-6024	546	1	60	24	28.8	0.83
F-WS0N-6624	607	1	66	24	31.68	0.92
F-WS0N-7224	639	1	72	24	34.56	1
F-WS0N-7824	700	1	78	24	37.44	1.08
F-WS0N-8424	755	1	84	24	40.32	1.17
F-WS0N-9024	863	1	90	24	43.2	1.25
F-WS0N-9624	937	1	96	24	46.08	1.33
F-WS0N-3630	410	1	36	30	21.6	0.63
F-WS0N-4230	441	1	42	30	25.2	0.73
F-WS0N-4830	481	1	48	30	28.8	0.83
F-WS0N-5430	545	1	54	30	32.4	0.94
F-WS0N-6030	574	1	60	30	36	1.04
F-WS0N-6630	661	1	66	30	39.6	1.15
F-WS0N-7230	677	1	72	30	43.2	1.25
F-WS0N-7830	742	1	78	30	46.8	1.35
F-WS0N-8430	804	1	84	30	50.4	1.46
F-WS0N-9030	915	1	90	30	54	1.56
F-WS0N-9630	992	1	96	30	57.6	1.67
F-WS0N-3636	426	1	36	36	25.92	0.75
F-WS0N-4236	464	1	42	36	30.24	0.88
F-WS0N-4836	507	1	48	36	34.56	1
F-WS0N-5436	570	1	54	36	38.88	1.13
F-WS0N-6036	605	1	60	36	43.2	1.25
F-WS0N-6636	691	1	66	36	47.52	1.38
F-WS0N-7236	713	1	72	36	51.84	1.5
F-WS0N-7836	776	1	78	36	56.16	1.63
F-WS0N-8436	841	1	84	36	60.48	1.75
F-WS0N-9036	960	1	90	36	64.8	1.88
F-WS0N-9636	1034	1	96	36	69.12	2



What's Included:

Unitized worksurface (1) with a side grommet (1).

How to Specify:

Worksurface can be supported by a high credenza and a single support leg, a high credenza with one support gable or two support gables.

Edge color will default to match the surface color of the worksurface unless otherwise specified.

Notes:

Unitized worksurface is 1-inch thick.

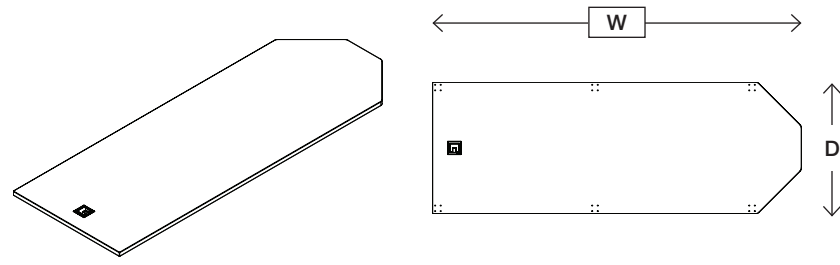
All worksurfaces have 2mm vinyl edge trim.

Low pressure laminate is available on the top surface of a worksurface.

Options:

Width	54", 60", 66", 72", 78", 84", 90", 96"		
X - Depth	36", 42"		
Y - Depth	24", 30"		
Grommet side	L left	R right	
Grommet Color	P112 silver	P121 white	P114 black
Worksurface Laminate	laminate color		

Code	Price	H (in.)	W (in.)	D 1 (in.)	Wt (lb)	Vol (ft³)	Code	Price	H (in.)	W (in.)	D 1 (in.)	Wt (lb)	Vol (ft³)
F-WUCG-543624-L	1065	19	54	36	24.88	1.13	F-WUCG-724230-L	1371	19	72	42	41.13	1.75
F-WUCG-543624-R	1065	19	54	36	24.88	1.13	F-WUCG-724230-R	1371	19	72	42	41.13	1.75
F-WUCG-544224-L	1198	19	54	42	39	1.31	F-WUCG-783624-L	1371	19	78	36	35.94	1.63
F-WUCG-544224-R	1198	19	54	42	39	1.31	F-WUCG-783624-R	1371	19	78	36	35.94	1.63
F-WUCG-544230-L	1198	19	54	42	39	1.31	F-WUCG-784224-L	1504	19	78	42	41.93	1.9
F-WUCG-544230-R	1198	19	54	42	39	1.31	F-WUCG-784224-R	1504	19	78	42	41.93	1.9
F-WUCG-603624-L	1128	19	60	36	27.65	1.25	F-WUCG-784230-L	1504	19	78	42	44.55	1.9
F-WUCG-603624-R	1128	19	60	36	27.65	1.25	F-WUCG-784230-R	1504	19	78	42	44.55	1.9
F-WUCG-604224-L	1261	19	60	42	32.26	1.46	F-WUCG-843624-L	1502	19	84	36	38.71	1.75
F-WUCG-604224-R	1261	19	60	42	32.26	1.46	F-WUCG-843624-R	1502	19	84	36	38.71	1.75
F-WUCG-604230-L	1261	19	60	42	34.27	1.46	F-WUCG-844224-L	1635	19	84	42	45.16	2.04
F-WUCG-604230-R	1261	19	60	42	34.27	1.46	F-WUCG-844224-R	1635	19	84	42	45.16	2.04
F-WUCG-663624-L	1189	19	66	36	30.41	1.38	F-WUCG-844230-L	1635	19	84	42	47.98	2.04
F-WUCG-663624-R	1189	19	66	36	30.41	1.38	F-WUCG-844230-R	1635	19	84	42	47.98	2.04
F-WUCG-664224-L	1323	19	66	42	35.48	1.6	F-WUCG-903624-L	1800	19	90	36	41.47	1.88
F-WUCG-664224-R	1323	19	66	42	35.48	1.6	F-WUCG-903624-R	1800	19	90	36	41.47	1.88
F-WUCG-664230-L	1323	19	66	42	37.7	1.6	F-WUCG-904224-L	1933	19	90	42	48.38	2.19
F-WUCG-664230-R	1323	19	66	42	37.7	1.6	F-WUCG-904224-R	1933	19	90	42	48.38	2.19
F-WUCG-723624-L	1240	19	72	36	33.18	1.5	F-WUCG-904230-L	1933	19	90	42	51.41	2.19
F-WUCG-723624-R	1240	19	72	36	33.18	1.5	F-WUCG-904230-R	1933	19	90	42	51.41	2.19
F-WUCG-724224-L	1371	19	72	42	38.71	1.75	F-WUCG-963624-L	1834	19	96	36	44.24	2
F-WUCG-724224-R	1371	19	72	42	38.71	1.75	F-WUCG-963624-R	1834	19	96	36	44.24	2
							F-WUCG-964224-L	1966	19	96	42	51.61	2.33
							F-WUCG-964224-R	1966	19	96	42	51.61	2.33
							F-WUCG-964230-L	1966	19	96	42	54.84	2.33
							F-WUCG-964230-R	1966	19	96	42	54.84	2.33



What's Included:

D worksurface (1) with a grommet (1).

How to Specify:

Worksurface can be supported by a high credenza and a single support leg, a high credenza with one support gable or two support gables.

Edge color will default to match the surface color of the worksurface unless otherwise specified.

Notes:

D worksurface is 1-inch thick.

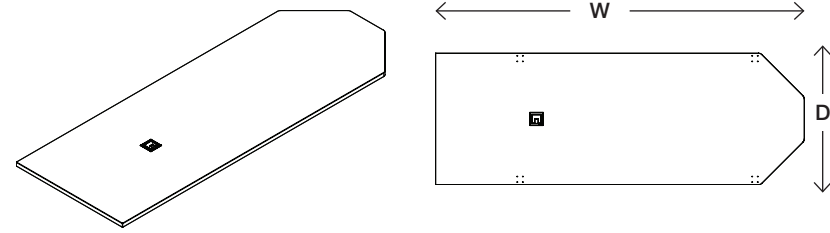
All worksurfaces have 2mm vinyl edge trim.

Low pressure laminate is available on the top surface of a worksurface.

Options:

Width	54", 60", 66", 72", 78", 84", 90", 96"		
Depth	24", 30", 36"		
Grommet Color	P112 silver	P121 white	P114 black
Worksurface Laminate	laminate color		

Code	Price	H (in.)	W (in.)	D 1 (in.)	Weight (lb)	Volume (ft ³)
24" depth						
F-WD0G-544624	739	1	54	24	25.92	0.75
F-WD0G-605224	799	1	60	24	28.8	0.83
F-WD0G-665824	941	1	66	24	31.68	0.92
F-WD0G-726424	1009	1	72	24	34.56	1
F-WD0G-787024	1170	1	78	24	37.44	1.08
F-WD0G-847624	1225	1	84	24	40.32	1.17
F-WD0G-908224	1283	1	90	24	43.2	1.25
F-WD0G-968824	1340	1	96	24	46.08	1.33
F-WD0G-544430	818	1	54	30	32.4	0.94
30" depth						
F-WD0G-605030	886	1	60	30	36	1.04
F-WD0G-665630	1038	1	66	30	39.6	1.15
F-WD0G-726230	1123	1	72	30	43.2	1.25
F-WD0G-786830	1295	1	78	30	46.8	1.35
F-WD0G-847430	1357	1	84	30	50.4	1.46
F-WD0G-908030	1420	1	90	30	54	1.56
F-WD0G-968630	1488	1	96	30	57.6	1.67
36" depth						
F-WD0G-544236	893	1	54	36	38.88	1.13
F-WD0G-604836	971	1	60	36	43.2	1.25
F-WD0G-665436	1145	1	66	36	47.52	1.38
F-WD0G-726036	1231	1	72	36	51.84	1.5
F-WD0G-786636	1416	1	78	36	56.16	1.63
F-WD0G-847236	1490	1	84	36	60.48	1.75
F-WD0G-907836	1562	1	90	36	64.8	1.88
F-WD0G-968436	1631	1	96	36	69.12	2



What's Included:

D worksurface (1) .

How to Specify:

Worksurface can be supported by a high credenza and a single support leg, a high credenza with one support gable or two support gables.

Edge color will default to match the surface color of the worksurface unless otherwise specified.

Notes:

D worksurface is 1-inch thick.

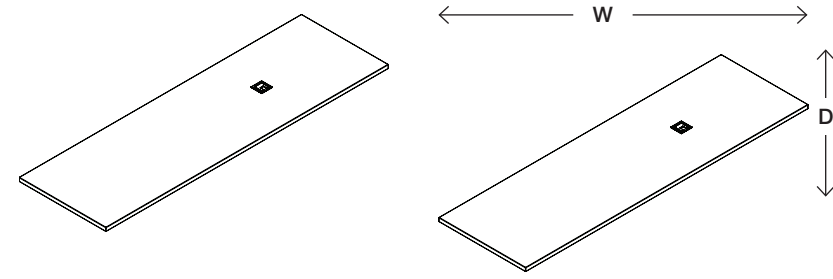
All worksurfaces have 2mm vinyl edge trim.

Low pressure laminate is available on the top surface of a worksurface.

Options:

Width	54", 60", 66", 72", 78", 84", 90", 96"		
Depth	24", 30", 36"		
Grommet Color	P112 silver	P121 white	P114 black
Worksurface Laminate	laminate color		

Code	Price	H (in.)	W (in.)	D 1 (in.)	Weight (lb)	Volume (ft ³)
F-WCDG-784836	1416	1	78	24	37.44	1.08
F-WCDG-785030	1295	1	84	24	40.32	1.17
F-WCDG-785224	1170	1	90	24	43.2	1.25
F-WCDG-845436	1490	1	96	24	46.08	1.33
F-WCDG-845630	1357	1	78	30	46.8	1.35
F-WCDG-845824	1225	1	84	30	50.4	1.46
F-WCDG-906036	1562	1	90	30	54	1.56
F-WCDG-906230	1420	1	96	30	57.6	1.67
F-WCDG-906424	1283	1	78	36	56.16	1.63
F-WCDG-966636	1631	1	84	36	60.48	1.75
F-WCDG-966830	1488	1	90	36	64.8	1.88
F-WCDG-967024	1340	1	96	36	69.12	2



What's Included:

Straight worksurface (1)

How to Specify:

Worksurface can be supported by a high credenza and a single support leg, a high credenza with one support gable or two support gables.

Edge color will default to match the surface color of the worksurface unless otherwise specified.

Notes:

Straight worksurface is 1-inch thick.

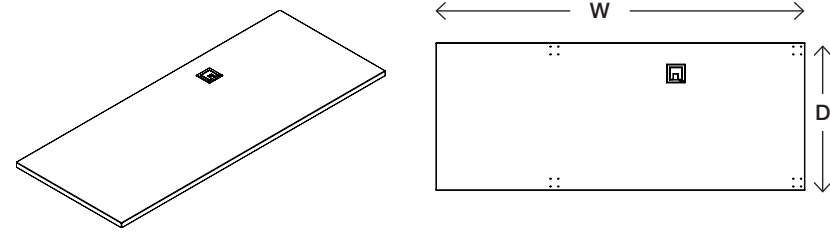
All worksurfaces have 2mm vinyl edge trim.

Low pressure laminate is available on the top surface of a worksurface.

Options:

Width	78", 84", 90", 96"
Depth	24", 30", 36"
Grommet Color	P112 silver P121 white P114 black
Worksurface Laminate	laminate color

Code	Price	H (in.)	W (in.)	D 1 (in.)	Weight (lb)	Volume (ft ³)
F-WCSG-786024	719	1	78	24	37.44	1.08
F-WCSG-846624	783	1	84	24	40.32	1.17
F-WCSG-907224	887	1	90	24	43.2	1.25
F-WCSG-967824	960	1	96	24	46.08	1.33
F-WCSG-786030	764	1	78	30	46.8	1.35
F-WCSG-846630	827	1	84	30	50.4	1.46
F-WCSG-907230	943	1	90	30	54	1.56
F-WCSG-967830	1020	1	96	30	57.6	1.67
F-WCSG-786036	799	1	78	36	56.16	1.63
F-WCSG-846636	864	1	84	36	60.48	1.75
F-WCSG-907236	984	1	90	36	64.8	1.88
F-WCSG-967836	1062	1	96	36	69.12	2



What's Included:

Straight return work surface (1).

How to Specify:

Work surface can be supported by a high credenza and a single support leg, a high credenza with one support gable or two support gables.

Edge color will default to match the surface color of the work surface unless otherwise specified.

Notes:

Straight return work surface is 1-inch thick.

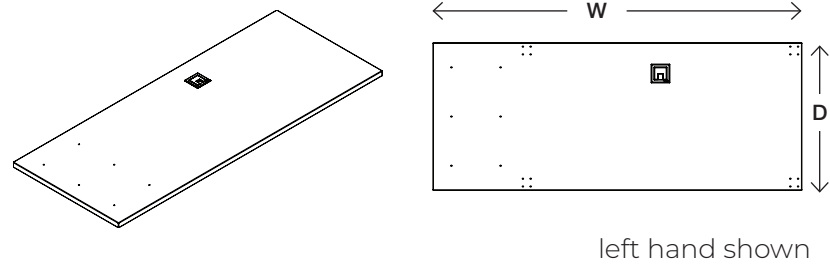
All work surfaces have 2mm vinyl edge trim.

Low pressure laminate is available on the top surface of a work surface.

Options:

Width	54", 60", 66", 72", 78", 84", 90"		
Depth	24", 30", 36"		
Grommet side	L left	R right	
Grommet Color	P112 silver	P121 white	P114 black
Work surface Laminate	laminate color		

Code	Price	H (in.)	W (in.)	D1 (in.)	Wt (lb)	Vol (ft ³)	Code	Price	H (in.)	W (in.)	D1 (in.)	Wt (lb)	Vol (ft ³)
F-WC0G-543624-L	545	19	54	24	28.8	0.75	F-WC0G-725430-R	705	19	72	30	40.5	1.25
F-WC0G-543624-R	545	19	54	24	28.8	0.75	F-WC0G-725436-L	736	19	72	36	47.4	1.5
F-WC0G-543630-L	570	19	54	30	36	0.94	F-WC0G-725436-R	736	19	72	36	47.4	1.5
F-WC0G-543630-R	570	19	54	30	36	0.94	F-WC0G-786024-L	719	19	78	24	36.8	1.08
F-WC0G-543636-L	594	19	54	36	43.2	1.13	F-WC0G-786024-R	719	19	78	24	36.8	1.08
F-WC0G-543636-R	594	19	54	36	43.2	1.13	F-WC0G-786030-L	764	19	78	30	42	1.35
F-WC0G-604224-L	571	19	60	24	30.8	0.83	F-WC0G-786030-R	764	19	78	30	42	1.35
F-WC0G-604224-R	571	19	60	24	30.8	0.83	F-WC0G-786036-L	799	19	78	36	48.8	1.63
F-WC0G-604230-L	602	19	60	30	37.5	1.04	F-WC0G-786036-R	799	19	78	36	48.8	1.63
F-WC0G-604230-R	602	19	60	30	37.5	1.04	F-WC0G-846624-L	783	19	84	24	38.8	1.17
F-WC0G-604236-L	629	19	60	36	44.6	1.25	F-WC0G-846624-R	783	19	84	24	38.8	1.17
F-WC0G-604236-R	629	19	60	36	44.6	1.25	F-WC0G-846630-L	827	19	84	30	43.5	1.46
F-WC0G-664824-L	637	19	66	24	32.8	0.92	F-WC0G-846630-R	827	19	84	30	43.5	1.46
F-WC0G-664824-R	637	19	66	24	32.8	0.92	F-WC0G-846636-L	864	19	84	36	50.2	1.75
F-WC0G-664830-L	686	19	66	30	39	1.15	F-WC0G-846636-R	864	19	84	36	50.2	1.75
F-WC0G-664830-R	686	19	66	30	39	1.15	F-WC0G-907224-L	887	19	90	24	40.8	1.25
F-WC0G-664836-L	716	19	66	36	46	1.38	F-WC0G-907224-R	887	19	90	24	40.8	1.25
F-WC0G-664836-R	716	19	66	36	46	1.38	F-WC0G-907230-L	943	19	90	30	45	1.56
F-WC0G-725424-L	662	19	72	24	34.8	1	F-WC0G-907230-R	943	19	90	30	45	1.56
F-WC0G-725424-R	662	19	72	24	34.8	1	F-WC0G-907236-L	984	19	90	36	51.6	1.87
F-WC0G-725430-L	705	19	72	30	40.5	1.25	F-WC0G-907236-R	984	19	90	36	51.6	1.87



What's Included:

Flag storage straight worksurface (1) with an offset grommet (1).

How to Specify:

Worksurface can be supported by a high credenza and a single support leg, a high credenza with one support gable or two support gables.

Edge color will default to match the surface color of the worksurface unless otherwise specified.

Notes:

Flag storage straight worksurface is 1-inch thick.

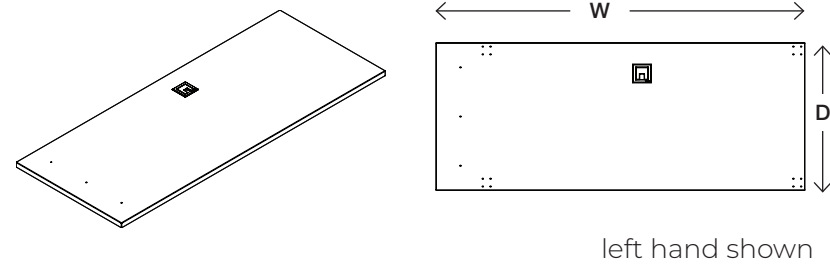
All worksurfaces have 2mm vinyl edge trim.

Low pressure laminate is available on the top surface of a worksurface.

Options:

Width	72", 78", 84", 90", 96"		
Depth	24", 30", 36"		
Flag storage	L left	R right	
Grommet Color	P112 silver	P121 white	P114 black
Worksurface Laminate	laminate color		

Code	Price	H (in.)	W (in.)	D1 (in.)	Wt (lb)	Vol (ft³)	Code	Price	H (in.)	W (in.)	D1 (in.)	Wt (lb)	Vol (ft³)
F-WF0G-604624-L	571	19	60	24	28.8	0.83	F-WF0G-786430-R	764	19	78	30	46.8	1.35
F-WF0G-604624-R	571	19	60	24	28.8	0.83	F-WF0G-786436-L	799	19	78	36	56.16	1.63
F-WF0G-604630-L	602	19	60	30	36	1.04	F-WF0G-786436-R	799	19	78	36	56.16	1.63
F-WF0G-604630-R	602	19	60	30	36	1.04	F-WF0G-847024-L	783	19	84	24	40.32	1.17
F-WF0G-604636-L	629	19	60	36	47.52	1.25	F-WF0G-847024-R	783	19	84	24	40.32	1.17
F-WF0G-604636-R	629	19	60	36	47.52	1.25	F-WF0G-847030-L	827	19	84	30	50.4	1.46
F-WF0G-665224-L	637	19	66	24	31.68	0.92	F-WF0G-847030-R	827	19	84	30	50.4	1.46
F-WF0G-665224-R	637	19	66	24	31.68	0.92	F-WF0G-847036-L	864	19	84	36	60.48	1.75
F-WF0G-665230-L	686	19	66	30	39.6	1.15	F-WF0G-847036-R	864	19	84	36	60.48	1.75
F-WF0G-665230-R	686	19	66	30	39.6	1.15	F-WF0G-907624-L	887	19	90	24	43.2	1.25
F-WF0G-665236-L	716	19	66	36	47.52	1.38	F-WF0G-907624-R	887	19	90	24	43.2	1.25
F-WF0G-665236-R	716	19	66	36	47.52	1.38	F-WF0G-907630-L	943	19	90	30	54	1.56
F-WF0G-725824-L	662	19	72	24	34.56	1	F-WF0G-907630-R	943	19	90	30	54	1.56
F-WF0G-725824-R	662	19	72	24	34.56	1	F-WF0G-907636-L	984	19	90	36	64.8	1.88
F-WF0G-725830-L	705	19	72	30	43.2	1.25	F-WF0G-907636-R	984	19	90	36	64.8	1.88
F-WF0G-725830-R	705	19	72	30	43.2	1.25	F-WF0G-968224-L	960	19	96	24	46.08	1.33
F-WF0G-725836-L	736	19	72	36	51.84	1.5	F-WF0G-968224-R	960	19	96	24	46.08	1.33
F-WF0G-725836-R	736	19	72	36	51.84	1.5	F-WF0G-968230-L	1020	19	96	30	57.6	1.67
F-WF0G-786424-L	719	19	78	24	37.44	1.08	F-WF0G-968230-R	1020	19	96	30	57.6	1.67
F-WF0G-786424-R	719	19	78	24	37.44	1.08	F-WF0G-968236-L	1062	19	96	36	69.12	2
F-WF0G-786430-L	764	19	78	30	46.8	1.35	F-WF0G-968236-R	1062	19	96	36	69.12	2



What's Included:

Flag storage straight worksurface (1) with an offset grommet (1).

How to Specify:

Worksurface can be supported by a high credenza and a single support leg, a high credenza with one support gable or two support gables.

Edge color will default to match the surface color of the worksurface unless otherwise specified.

Notes:

Flag storage straight worksurface is 1-inch thick.

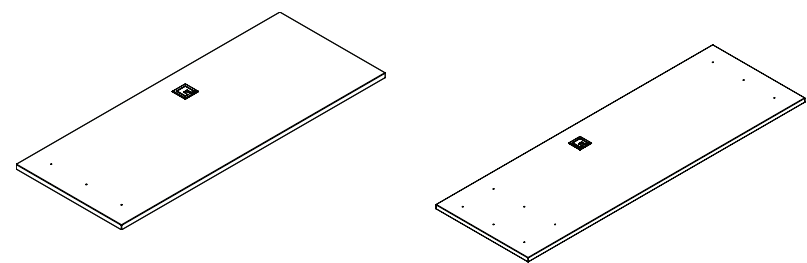
All worksurfaces have 2mm vinyl edge trim.

Low pressure laminate is available on the top surface of a worksurface.

Options:

Width	72", 78", 84", 90", 96"		
Depth	24", 30", 36"		
Flag storage	L left	R right	
Grommet Color	P112 silver	P121 white	P114 black
Worksurface Laminate	laminate color		

Code	Price	H (in.)	W (in.)	D 1 (in.)	Wt (lb)	Vol (ft³)	Code	Price	H (in.)	W (in.)	D 1 (in.)	Wt (lb)	Vol (ft³)
F-WF1G-605324-L	571	19	60	24	28.8	0.83	F-WF1G-787130-R	764	19	78	30	46.8	1.35
F-WF1G-605324-R	571	19	60	24	28.8	0.83	F-WF1G-787136-L	799	19	78	36	56.16	1.63
F-WF1G-605330-L	602	19	60	30	36	1.04	F-WF1G-787136-R	799	19	78	36	56.16	1.63
F-WF1G-605330-R	602	19	60	30	36	1.04	F-WF1G-847724-L	783	19	84	24	40.32	1.17
F-WF1G-605336-L	629	19	60	36	43.2	1.25	F-WF1G-847724-R	783	19	84	24	40.32	1.17
F-WF1G-605336-R	629	19	60	36	43.2	1.25	F-WF1G-847730-L	827	19	84	30	50.4	1.46
F-WF1G-665924-L	637	19	66	24	31.68	0.92	F-WF1G-847730-R	827	19	84	30	50.4	1.46
F-WF1G-665924-R	637	19	66	24	31.68	0.92	F-WF1G-847736-L	864	19	84	36	60.48	1.75
F-WF1G-665930-L	686	19	66	30	39.6	1.15	F-WF1G-847736-R	864	19	84	36	60.48	1.75
F-WF1G-665930-R	686	19	66	30	39.6	1.15	F-WF1G-908324-L	887	19	90	24	43.2	1.25
F-WF1G-665936-L	716	19	66	36	47.52	1.38	F-WF1G-908324-R	887	19	90	24	43.2	1.25
F-WF1G-665936-R	716	19	66	36	47.52	1.38	F-WF1G-908330-L	943	19	90	30	54	1.56
F-WF1G-726524-L	662	19	72	24	34.56	1	F-WF1G-908330-R	943	19	90	30	54	1.56
F-WF1G-726524-R	662	19	72	24	34.56	1	F-WF1G-908336-L	984	19	90	36	64.8	1.88
F-WF1G-726530-L	705	19	72	30	43.2	1.25	F-WF1G-908336-R	984	19	90	36	64.8	1.88
F-WF1G-726530-R	705	19	72	30	43.2	1.25	F-WF1G-968924-L	960	19	96	24	46.08	1.33
F-WF1G-726536-L	736	19	72	36	51.84	1.5	F-WF1G-968924-R	960	19	96	24	46.08	1.33
F-WF1G-726536-R	736	19	72	36	51.84	1.5	F-WF1G-968930-L	1020	19	96	30	57.6	1.67
F-WF1G-787124-L	719	19	78	24	37.44	1.08	F-WF1G-968930-R	1020	19	96	30	57.6	1.67
F-WF1G-787124-R	719	19	78	24	37.44	1.08	F-WF1G-968936-L	1062	19	96	36	69.12	2
F-WF1G-787130-L	764	19	78	30	46.8	1.35	F-WF1G-968936-R	1062	19	96	36	69.12	2



What's Included:

Flag storage straight worksurface (1) with an offset grommet (1).

How to Specify:

Worksurface can be supported by a high credenza and a single support leg, a high credenza with one support gable or two support gables.

Edge color will default to match the surface color of the worksurface unless otherwise specified.

Notes:

Flag storage straight desk worksurface is 1-inch thick.

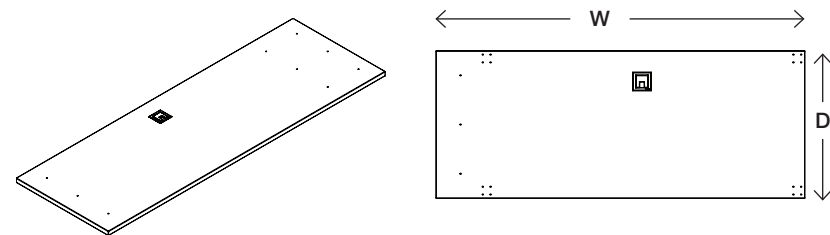
All worksurfaces have 2mm vinyl edge trim.

Low pressure laminate is available on the top surface of a worksurface.

Options:

Width	72", 78", 84", 90", 96"		
Depth	24", 30", 36"		
Flag storage	L left	R right	
Grommet Color	P112 silver	P121 white	P114 black
Worksurface Laminate	laminate color		

Code	Price	H (in.)	W (in.)	D 1 (in.)	Wt (lb)	Vol (ft ³)	Code	Price	H (in.)	W (in.)	D 1 (in.)	Wt (lb)	Vol (ft ³)
F-WF1G-968936-R	1062	19	96	36	69.12	2	F-WF2G-967524-R	960	19	96	24	46.08	1.33
F-WF2G-725124-L	662	19	72	24	34.56	1	F-WF2G-967530-L	1020	19	96	30	57.6	1.67
F-WF2G-725124-R	662	19	72	24	34.56	1	F-WF2G-967530-R	1020	19	96	30	57.6	1.67
F-WF2G-725130-L	705	19	72	30	43.2	1.25	F-WF2G-967536-L	1062	19	96	36	69.12	2
F-WF2G-725130-R	705	19	72	30	43.2	1.25	F-WF2G-967536-R	1062	19	96	36	69.12	2
F-WF2G-725136-L	736	19	72	36	51.84	1.5	F-WF2G-604624	571	19	60	24	28.8	0.83
F-WF2G-725136-R	736	19	72	36	51.84	1.5	F-WF2G-665224	637	19	66	24	31.68	0.92
F-WF2G-785724-L	719	19	78	24	37.44	1.08	F-WF2G-725824	662	19	72	24	34.56	1
F-WF2G-785724-R	719	19	78	24	37.44	1.08	F-WF2G-786424	719	19	78	24	37.44	1.08
F-WF2G-785730-L	764	19	78	30	46.8	1.35	F-WF2G-847024	783	19	84	24	40.32	1.17
F-WF2G-785730-R	764	19	78	30	46.8	1.35	F-WF2G-907624	887	19	90	24	43.2	1.25
F-WF2G-785736-L	799	19	78	36	56.16	1.63	F-WF2G-968224	960	19	96	24	46.08	1.33
F-WF2G-785736-R	799	19	78	36	56.16	1.63	F-WF2G-604630	602	19	60	30	36	1.04
F-WF2G-846324-L	783	19	84	24	40.32	1.17	F-WF2G-665230	686	19	66	30	39.6	1.15
F-WF2G-846324-R	783	19	84	24	40.32	1.17	F-WF2G-725830	705	19	72	30	43.2	1.25
F-WF2G-846330-L	827	19	84	30	50.4	1.46	F-WF2G-786430	764	19	78	30	46.8	1.35
F-WF2G-846330-R	827	19	84	30	50.4	1.46	F-WF2G-847030	827	19	84	30	50.4	1.46
F-WF2G-846336-L	864	19	84	36	60.48	1.75	F-WF2G-907630	943	19	90	30	54	1.56
F-WF2G-846336-R	864	19	84	36	60.48	1.75	F-WF2G-968230	1020	19	96	30	57.6	1.67
F-WF2G-906924-L	887	19	90	24	43.2	1.25	F-WF2G-604636	629	19	60	36	43.2	1.25
F-WF2G-906924-R	887	19	90	24	43.2	1.25	F-WF2G-665236	716	19	66	36	47.52	1.38
F-WF2G-906930-L	943	19	90	30	54	1.56	F-WF2G-725836	736	19	72	36	51.84	1.5
F-WF2G-906930-R	943	19	90	30	54	1.56	F-WF2G-786436	799	19	78	36	56.16	1.63
F-WF2G-906936-L	984	19	90	36	64.8	1.88	F-WF2G-847036	864	19	84	36	60.48	1.75
F-WF2G-906936-R	984	19	90	36	64.8	1.88	F-WF2G-907636	984	19	90	36	64.8	1.88
F-WF2G-967524-L	960	19	96	24	46.08	1.33	F-WF2G-968236	1062	19	96	36	69.12	2



What's Included:

Flag storage straight worksurface (1) with a center grommet (1).

How to Specify:

Worksurface can be supported by a high credenza and a single support leg, a high credenza with one support gable or two support gables.

Edge color will default to match the surface color of the worksurface unless otherwise specified.

Notes:

Flag storage straight desk worksurface is 1-inch thick.

All worksurfaces have 2mm vinyl edge trim.

Low pressure laminate is available on the top surface of a worksurface.

Options:

Width	60", 66", 72", 78", 84", 90", 96"		
Depth	24", 30", 36"		
Grommet Color	P112 silver	P121 white	P114 black
Worksurface Laminate	laminate color		

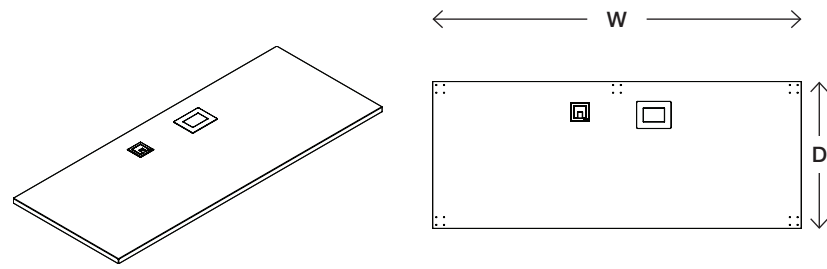
Code	Price	H (in.)	W (in.)	D 1 (in.)	Weight (lb)	Volume (ft ³)
F-WF2G-604624	571	1	60	24	28.8	0.83
F-WF2G-665224	637	1	66	24	31.68	0.92
F-WF2G-725824	662	1	72	24	34.56	1
F-WF2G-786424	719	1	78	24	37.44	1.08
F-WF2G-847024	783	1	84	24	40.32	1.17
F-WF2G-907624	887	1	90	24	43.2	1.25
F-WF2G-968224	960	1	96	24	46.08	1.33
F-WF2G-604630	602	1	60	30	36	1.04
F-WF2G-665230	686	1	66	30	39.6	1.15
F-WF2G-725830	705	1	72	30	43.2	1.25
F-WF2G-786430	764	1	78	30	46.8	1.35
F-WF2G-847030	827	1	84	30	50.4	1.46
F-WF2G-907630	943	1	90	30	54	1.56
F-WF2G-968230	1020	1	96	30	57.6	1.67
F-WF2G-604636	629	1	60	36	43.2	1.25
F-WF2G-665236	716	1	66	36	47.52	1.38
F-WF2G-725836	736	1	72	36	51.84	1.5
F-WF2G-786436	799	1	78	36	56.16	1.63
F-WF2G-847036	864	1	84	36	60.48	1.75
F-WF2G-907636	984	1	90	36	64.8	1.88
F-WF2G-968236	1062	1	96	36	69.12	2



Scene Pricebook
January 2026
**Surfaces with
Power Grommet**

surfaces with power grommet

<u>straight worksurface</u>	156
<u>credenza surface straight return</u>	158



What's Included:

Straight worksurface (1) with a cable grommet (1) and a power grommet (1). Power grommet comes with a power outlet (1) and a USB port (1).

How to Specify:

Worksurface can be supported by a high credenza and a single support leg, a high credenza with one support gable or two support gables.

Grommet can be specified in silver, white or black.

Edge color will default to match the surface color of the worksurface unless otherwise specified.

Edge color will default to match the surface color of the worksurface unless otherwise specified.

Notes:

Straight worksurface is 1-inch thick.

All worksurfaces have 2mm vinyl edge trim.

Low pressure laminate is available on the top surface of a worksurface.

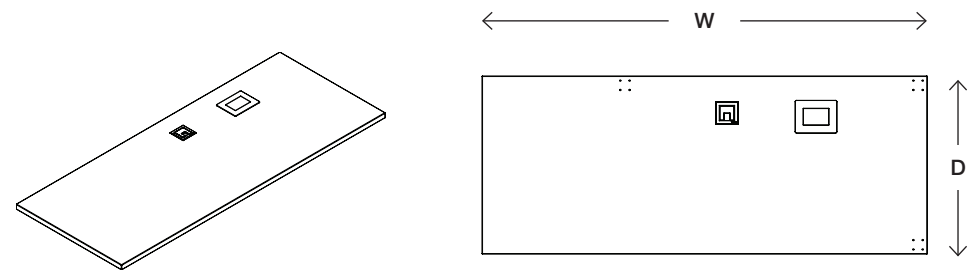
Options:

Width	36", 42", 48", 54", 60", 66", 72", 78", 84", 90", 96"		
Depth	24", 30", 36"		
Grommet Color	P112 silver	P121 white	P114 black
Worksurface Laminate	laminate color		

How to Order and Read your Code:

F	WSPG	60	30
product line	item	width	depth

Code	Price	H (in.)	W (in.)	D 1 (in.)	Weight (lb)	Volume (ft ³)
F-WSPG-3624	1224	1	36	24	17.28	0.5
F-WSPG-4224	1286	1	42	24	20.16	0.58
F-WSPG-4824	1319	1	48	24	23.04	0.67
F-WSPG-5424	1410	1	54	24	25.92	0.75
F-WSPG-6024	1440	1	60	24	28.8	0.83
F-WSPG-6624	1501	1	66	24	31.68	0.92
F-WSPG-7224	1529	1	72	24	34.56	1
F-WSPG-7824	1591	1	78	24	37.44	1.08
F-WSPG-8424	1646	1	84	24	40.32	1.17
F-WSPG-9024	1752	1	90	24	43.2	1.25
F-WSPG-9624	1828	1	96	24	46.08	1.33
F-WSPG-3630	1300	1	36	30	21.6	0.63
F-WSPG-4230	1333	1	42	30	25.2	0.73
F-WSPG-4830	1376	1	48	30	28.8	0.83
F-WSPG-5430	1436	1	54	30	32.4	0.94
F-WSPG-6030	1469	1	60	30	36	1.04
F-WSPG-6630	1550	1	66	30	39.6	1.15
F-WSPG-7230	1569	1	72	30	43.2	1.25
F-WSPG-7830	1634	1	78	30	46.8	1.35
F-WSPG-8430	1694	1	84	30	50.4	1.46
F-WSPG-9030	1807	1	90	30	54	1.56
F-WSPG-9630	1882	1	96	30	57.6	1.67
F-WSPG-3636	1319	1	36	36	25.92	0.75
F-WSPG-4236	1356	1	42	36	30.24	0.88
F-WSPG-4836	1396	1	48	36	34.56	1
F-WSPG-5436	1458	1	54	36	38.88	1.13
F-WSPG-6036	1495	1	60	36	43.2	1.25
F-WSPG-6636	1578	1	66	36	47.52	1.38
F-WSPG-7236	1603	1	72	36	51.84	1.5
F-WSPG-7836	1664	1	78	36	56.16	1.63
F-WSPG-8436	1733	1	84	36	60.48	1.75
F-WSPG-9036	1850	1	90	36	64.8	1.88
F-WSPG-9636	1927	1	96	36	69.12	2



What's Included:

Credenza worksurface (1) with cable, grommet (1) and a power grommet (1). Power grommet comes with a power outlet (1) and a USB port (1).

How to Specify:

Worksurface can be supported by a high credenza and a single support leg, a high credenza with one support gable or two support gables.

Grommet can be specified in silver, white or black.

Edge color will default to match the surface color of the worksurface unless otherwise specified.

Notes:

Straight credenza worksurface is 1-inch thick.

All worksurfaces have 2mm vinyl edge trim.

Low pressure laminate is available on the top surface of a worksurface.

Options:

Width	54", 60", 66", 72", 78", 84", 90"		
Depth	24", 30", 36"		
Grommet Color	P112 silver	P121 white	P114 black
Worksurface Laminate	laminate color		

How to Order and Read your Code:

F **WCPG** **60** **30**
 product line item width depth

Code	Price	H (in.)	W (in.)	D 1 (in.)	Weight (lb)	Volume (ft ³)
F-WCPG-543624-L	1410	1	54	24	28.8	0.75
F-WCPG-543624-R	1410	1	54	24	28.8	0.75
F-WCPG-543630-L	1436	1	54	30	36	0.94
F-WCPG-543630-R	1436	1	54	30	36	0.94
F-WCPG-543636-L	1458	1	54	36	43.2	1.13
F-WCPG-543636-R	1458	1	54	36	43.2	1.13
F-WCPG-604224-L	1440	1	60	24	30.8	0.83
F-WCPG-604224-R	1440	1	60	24	30.8	0.83

Code	Price	H (in.)	W (in.)	D 1 (in.)	Weight (lb)	Volume (ft ³)
F-WCPG-604230-L	1469	1	60	30	37.5	1.04
F-WCPG-604230-R	1469	1	60	30	37.5	1.04
F-WCPG-604236-L	1495	1	60	36	44.6	1.25
F-WCPG-604236-R	1495	1	60	36	44.6	1.25
F-WCPG-664824-L	1501	1	66	24	32.8	0.92
F-WCPG-664824-R	1501	1	66	24	32.8	0.92
F-WCPG-664830-L	1550	1	66	30	39	1.15
F-WCPG-664830-R	1550	1	66	30	39	1.15
F-WCPG-664836-L	1578	1	66	36	46	1.38
F-WCPG-664836-R	1578	1	66	36	46	1.38
F-WCPG-725424-L	1529	1	72	24	34.8	1
F-WCPG-725424-R	1529	1	72	24	34.8	1
F-WCPG-725430-L	1569	1	72	30	40.5	1.25
F-WCPG-725430-R	1569	1	72	30	40.5	1.25
F-WCPG-725436-L	1603	1	72	36	47.4	1.5
F-WCPG-725436-R	1603	1	72	36	47.4	1.5
F-WCPG-786024-L	1591	1	78	24	36.8	1.08
F-WCPG-786024-R	1591	1	78	24	36.8	1.08
F-WCPG-786030-L	1634	1	78	30	42	1.35
F-WCPG-786030-R	1634	1	78	30	42	1.35
F-WCPG-786036-L	1664	1	78	36	48.8	1.63
F-WCPG-786036-R	1664	1	78	36	48.8	1.63
F-WCPG-846624-L	1646	1	84	24	38.8	1.17
F-WCPG-846624-R	1646	1	84	24	38.8	1.17
F-WCPG-846630-L	1694	1	84	30	43.5	1.46
F-WCPG-846630-R	1694	1	84	30	43.5	1.46
F-WCPG-846636-L	1733	1	84	36	50.2	1.75
F-WCPG-846636-R	1733	1	84	36	50.2	1.75
F-WCPG-907224-L	1752	1	90	24	40.8	1.25
F-WCPG-907224-R	1752	1	90	24	40.8	1.25
F-WCPG-907230-L	1807	1	90	30	45	1.56
F-WCPG-907230-R	1807	1	90	30	45	1.56
F-WCPG-907236-L	1850	1	90	36	51.6	1.88
F-WCPG-907236-R	1850	1	90	36	51.6	1.88



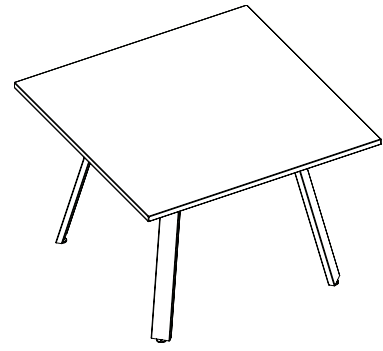
Scene Pricebook
January 2026

Table

table

freestanding square table 162

freestanding round table 163



What's Included:

Square table top (1) and four single support legs (4).

How to Specify:

Edge color will default to match the surface color of the worksurface unless otherwise specified.

Options:

Width	36", 42", 48"
Worksurface Laminate	laminate color
Leg Color	Refer to metal paint card for metal paint colors.

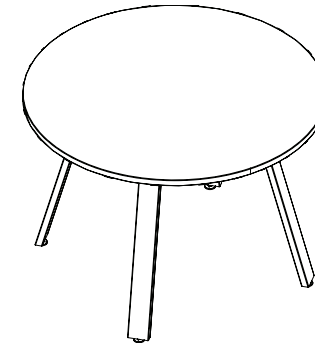
Notes:

Table top is 1-inch thick.
 All worksurfaces have 2mm vinyl edge trim.
 Low pressure laminate is available on the top surface of a worksurface.

How to Order and Read your Code:

F **TSSL** **42** **42**
 product line item width depth

Code	Price	H (in.)	W (in.)	D 1 (in.)	Weight (lb)	Volume (ft ³)
F-TSSL-3636	1831	29	36	36	97	0.75
F-TSSL-4242	1990	29	42	42	113	1.02
F-TSSL-4848	2176	29	48	48	129.01	1.33



What's Included:

Round table top (1) and four single support legs (4).

How to Specify:

Edge color will default to match the surface color of the worksurface unless otherwise specified.

Options:

Width	36", 42", 48"
Worksurface Laminate	laminate color
Leg Color	Refer to metal paint card for metal paint colors.

Notes:

Table top is 1-inch thick.
 All worksurfaces have 2mm vinyl edge trim.
 Low pressure laminate is available on the top surface of a worksurface.

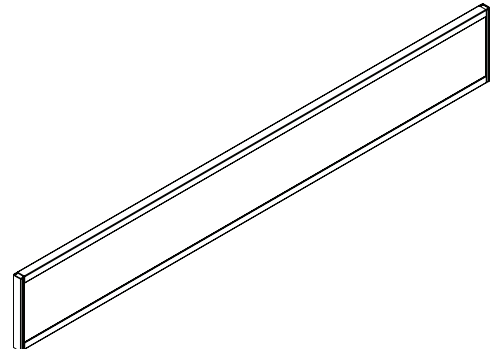
Code	Price	H (in.)	W (in.)	D 1 (in.)	Weight (lb)	Volume (ft ³)
F-TOSL-36	1953	29	36	36	97	0.75
F-TOSL-42	2136	29	42	42	113	1.02
F-TOSL-48	2340	29	48	48	129.01	1.33



Scene Pricebook
January 2026
Screens

screens

privacy screen - end to end	166	fabric	190
solid 166		6" height	190
6" height	167	12" height	191
12" height	168	14" height	192
14" height	169	20" height	193
20" height	170	frost acrylic	194
whiteboard	171	6" height	194
12" height	171	12" height	195
14" height	172	14" height	196
20" height	173	20" height	197
6" height	174	privacy screen - share to share	198
fabric	174	solid	198
12" height	175	6" height	199
14" height	176	12" height	200
20" height	177	14" height	201
frost acrylic	178	20" height	202
6" height	178	whiteboard	203
12" height	179	12" height	203
14" height	180	14" height	204
20" height	181	20" height	205
privacy screen - end to share	182	fabric 206	
solid	182	6" height	206
6" height	183	12" height	207
12" height	184	14" height	208
14" height	185	20" height	209
20" height	186	frost acrylic	210
whiteboard	187	6" height	210
12" height	187	12" height	211
14" height	188	14" height	212
20" height	189	20" height	213



What's Included:

Privacy Screen (1), Horizontal Rails (2), Privacy Screen Retainers (2)..

How to Specify:

Available in various heights and widths to provide specific workstation requirements

Privacy screens can be specified in solid laminate, whiteboard, fabric tackboard, and frost acrylic.

Notes:

Privacy screen posts are 2-inches by 2-inches wide, sold separately.

Options:

Height	6", 12", 14", 20"
Width	24", 30", 36", 42", 44", 45", 46", 48", 50", 51", 52", 53", 54", 56", 57", 58", 59", 60", 62", 63", 64", 65", 66", 68", 69", 70", 71", 72"
Screen material	S solid W whiteboard T fabric/tackboard F frost

How to Order and Read your Code:

F	SEE	12	60	F
product line	item	height	width	acrylic

Code	Price	H (in.)	W (in.)	D T (in.)	Weight (lb)	Volume (ft ³)
F-SEE-0624-S	55	5.38	20.44	0.5	2.88	0.03
F-SEE-0630-S	62	5.38	26.44	0.5	3.6	0.04
F-SEE-0636-S	72	5.38	32.44	0.5	4.32	0.05
F-SEE-0642-S	82	5.38	38.44	0.5	5.04	0.06
F-SEE-0644-S	87	5.38	40.44	0.5	5.28	0.06
F-SEE-0645-S	87	5.38	41.44	0.5	5.4	0.06
F-SEE-0646-S	94	5.38	42.44	0.5	5.52	0.07
F-SEE-0648-S	94	5.38	44.44	0.5	5.76	0.07
F-SEE-0650-S	98	5.38	46.44	0.5	6	0.07
F-SEE-0651-S	98	5.38	47.44	0.5	6.12	0.07
F-SEE-0652-S	101	5.38	48.44	0.5	6.24	0.08
F-SEE-0653-S	101	5.38	49.44	0.5	6.36	0.08
F-SEE-0654-S	101	5.38	50.44	0.5	6.48	0.08
F-SEE-0656-S	106	5.38	52.44	0.5	6.72	0.08
F-SEE-0657-S	106	5.38	53.44	0.5	6.84	0.08
F-SEE-0658-S	114	5.38	54.44	0.5	6.96	0.08
F-SEE-0659-S	114	5.38	55.44	0.5	7.08	0.09
F-SEE-0660-S	114	5.38	56.44	0.5	7.2	0.09
F-SEE-0662-S	117	5.38	58.44	0.5	7.44	0.09
F-SEE-0663-S	117	5.38	59.44	0.5	7.56	0.09
F-SEE-0664-S	124	5.38	60.44	0.5	7.68	0.09
F-SEE-0665-S	124	5.38	61.44	0.5	7.8	0.1
F-SEE-0666-S	124	5.38	62.44	0.5	7.92	0.1

Code	Price	H (in.)	W (in.)	D 1 (in.)	Weight (lb)	Volume (ft ³)
F-SEE-1224-S	68	11.38	20.44	0.5	5.76	0.07
F-SEE-1230-S	81	11.38	26.44	0.5	7.2	0.09
F-SEE-1236-S	96	11.38	32.44	0.5	8.64	0.11
F-SEE-1242-S	107	11.38	38.44	0.5	10.08	0.13
F-SEE-1244-S	116	11.38	40.44	0.5	10.56	0.13
F-SEE-1245-S	116	11.38	41.44	0.5	10.8	0.14
F-SEE-1246-S	124	11.38	42.44	0.5	11.04	0.14
F-SEE-1248-S	124	11.38	44.44	0.5	11.52	0.15
F-SEE-1250-S	129	11.38	46.44	0.5	12	0.15
F-SEE-1251-S	129	11.38	47.44	0.5	12.24	0.16
F-SEE-1252-S	136	11.38	48.44	0.5	12.48	0.16
F-SEE-1253-S	136	11.38	49.44	0.5	12.72	0.16
F-SEE-1254-S	136	11.38	50.44	0.5	12.96	0.17
F-SEE-1256-S	144	11.38	52.44	0.5	13.44	0.17
F-SEE-1257-S	144	11.38	53.44	0.5	13.68	0.18
F-SEE-1258-S	147	11.38	54.44	0.5	13.92	0.18
F-SEE-1259-S	147	11.38	55.44	0.5	14.16	0.18
F-SEE-1260-S	147	11.38	56.44	0.5	14.4	0.19
F-SEE-1262-S	157	11.38	58.44	0.5	14.88	0.19
F-SEE-1263-S	157	11.38	59.44	0.5	15.12	0.2
F-SEE-1264-S	161	11.38	60.44	0.5	15.36	0.2
F-SEE-1265-S	161	11.38	61.44	0.5	15.6	0.2
F-SEE-1266-S	161	11.38	62.44	0.5	15.84	0.21

Code	Price	H (in.)	W (in.)	D 1 (in.)	Weight (lb)	Volume (ft ³)
F-SEE-1424-S	72	13.25	20.44	0.5	6.72	0.08
F-SEE-1430-S	87	13.25	26.44	0.5	8.4	0.1
F-SEE-1436-S	101	13.25	32.44	0.5	10.08	0.12
F-SEE-1442-S	117	13.25	38.44	0.5	11.76	0.15
F-SEE-1444-S	126	13.25	40.44	0.5	12.32	0.16
F-SEE-1445-S	126	13.25	41.44	0.5	12.6	0.16
F-SEE-1446-S	132	13.25	42.44	0.5	12.88	0.16
F-SEE-1448-S	132	13.25	44.44	0.5	13.44	0.17
F-SEE-1450-S	142	13.25	46.44	0.5	14	0.18
F-SEE-1451-S	142	13.25	47.44	0.5	14.28	0.18
F-SEE-1452-S	145	13.25	48.44	0.5	14.56	0.19
F-SEE-1453-S	145	13.25	49.44	0.5	14.84	0.19
F-SEE-1454-S	145	13.25	50.44	0.5	15.12	0.19
F-SEE-1456-S	152	13.25	52.44	0.5	15.68	0.2
F-SEE-1457-S	152	13.25	53.44	0.5	15.96	0.2
F-SEE-1458-S	160	13.25	54.44	0.5	16.24	0.21
F-SEE-1459-S	160	13.25	55.44	0.5	16.52	0.21
F-SEE-1460-S	160	13.25	56.44	0.5	16.8	0.22
F-SEE-1462-S	170	13.25	58.44	0.5	17.36	0.22
F-SEE-1463-S	170	13.25	59.44	0.5	17.64	0.23
F-SEE-1464-S	175	13.25	60.44	0.5	17.92	0.23
F-SEE-1465-S	175	13.25	61.44	0.5	18.2	0.24
F-SEE-1466-S	175	13.25	62.44	0.5	18.48	0.24

Code	Price	H (in.)	W (in.)	D 1 (in.)	Weight (lb)	Volume (ft ³)
F-SEE-2024-S	92	19.25	20.44	0.5	9.6	0.11
F-SEE-2030-S	104	19.25	26.44	0.5	12	0.15
F-SEE-2036-S	126	19.25	32.44	0.5	14.4	0.18
F-SEE-2042-S	144	19.25	38.44	0.5	16.8	0.21
F-SEE-2044-S	149	19.25	40.44	0.5	17.6	0.23
F-SEE-2045-S	149	19.25	41.44	0.5	18	0.23
F-SEE-2046-S	160	19.25	42.44	0.5	18.4	0.24
F-SEE-2048-S	160	19.25	44.44	0.5	19.2	0.25
F-SEE-2050-S	172	19.25	46.44	0.5	20	0.26
F-SEE-2051-S	172	19.25	47.44	0.5	20.4	0.26
F-SEE-2052-S	178	19.25	48.44	0.5	20.8	0.27
F-SEE-2053-S	178	19.25	49.44	0.5	21.2	0.28
F-SEE-2054-S	178	19.25	50.44	0.5	21.6	0.28
F-SEE-2056-S	187	19.25	52.44	0.5	22.4	0.29
F-SEE-2057-S	187	19.25	53.44	0.5	22.8	0.3
F-SEE-2058-S	198	19.25	54.44	0.5	23.2	0.3
F-SEE-2059-S	198	19.25	55.44	0.5	23.6	0.31
F-SEE-2060-S	198	19.25	56.44	0.5	24	0.31
F-SEE-2062-S	204	19.25	58.44	0.5	24.8	0.33
F-SEE-2063-S	204	19.25	59.44	0.5	25.2	0.33
F-SEE-2064-S	217	19.25	60.44	0.5	25.6	0.34
F-SEE-2065-S	217	19.25	61.44	0.5	26	0.34
F-SEE-2066-S	217	19.25	62.44	0.5	26.4	0.35

Code	Price	H (in.)	W (in.)	D 1 (in.)	Weight (lb)	Volume (ft ³)
F-SEE-1224-W	149	11.38	20.44	0.5	6.4	0.07
F-SEE-1230-W	181	11.38	26.44	0.5	8	0.09
F-SEE-1236-W	217	11.38	32.44	0.5	9.6	0.11
F-SEE-1242-W	247	11.38	38.44	0.5	11.2	0.13
F-SEE-1244-W	264	11.38	40.44	0.5	11.73	0.13
F-SEE-1245-W	264	11.38	41.44	0.5	12	0.14
F-SEE-1246-W	281	11.38	42.44	0.5	12.27	0.14
F-SEE-1248-W	281	11.38	44.44	0.5	12.8	0.15
F-SEE-1250-W	298	11.38	46.44	0.5	13.33	0.15
F-SEE-1251-W	298	11.38	47.44	0.5	13.6	0.16
F-SEE-1252-W	310	11.38	48.44	0.5	13.87	0.16
F-SEE-1253-W	310	11.38	49.44	0.5	14.13	0.16
F-SEE-1254-W	310	11.38	50.44	0.5	14.4	0.17
F-SEE-1256-W	330	11.38	52.44	0.5	14.93	0.17
F-SEE-1257-W	330	11.38	53.44	0.5	15.2	0.18
F-SEE-1258-W	348	11.38	54.44	0.5	15.47	0.18
F-SEE-1259-W	348	11.38	55.44	0.5	15.73	0.18
F-SEE-1260-W	348	11.38	56.44	0.5	16	0.19
F-SEE-1262-W	366	11.38	58.44	0.5	16.53	0.19
F-SEE-1263-W	366	11.38	59.44	0.5	16.8	0.2
F-SEE-1264-W	380	11.38	60.44	0.5	17.07	0.2
F-SEE-1265-W	380	11.38	61.44	0.5	17.33	0.2
F-SEE-1266-W	380	11.38	62.44	0.5	17.6	0.21

Code	Price	H (in.)	W (in.)	D 1 (in.)	Weight (lb)	Volume (ft ³)
F-SEE-1424-W	161	13.25	20.44	0.5	7.47	0.08
F-SEE-1430-W	202	13.25	26.44	0.5	9.33	0.1
F-SEE-1436-W	238	13.25	32.44	0.5	11.2	0.12
F-SEE-1442-W	277	13.25	38.44	0.5	13.07	0.15
F-SEE-1444-W	296	13.25	40.44	0.5	13.69	0.16
F-SEE-1445-W	296	13.25	41.44	0.5	14	0.16
F-SEE-1446-W	310	13.25	42.44	0.5	14.31	0.16
F-SEE-1448-W	310	13.25	44.44	0.5	14.93	0.17
F-SEE-1450-W	334	13.25	46.44	0.5	15.56	0.18
F-SEE-1451-W	334	13.25	47.44	0.5	15.87	0.18
F-SEE-1452-W	349	13.25	48.44	0.5	16.18	0.19
F-SEE-1453-W	349	13.25	49.44	0.5	16.49	0.19
F-SEE-1454-W	349	13.25	50.44	0.5	16.8	0.19
F-SEE-1456-W	371	13.25	52.44	0.5	17.42	0.2
F-SEE-1457-W	371	13.25	53.44	0.5	17.73	0.2
F-SEE-1458-W	388	13.25	54.44	0.5	18.04	0.21
F-SEE-1459-W	388	13.25	55.44	0.5	18.36	0.21
F-SEE-1460-W	388	13.25	56.44	0.5	18.67	0.22
F-SEE-1462-W	408	13.25	58.44	0.5	19.29	0.22
F-SEE-1463-W	408	13.25	59.44	0.5	19.6	0.23
F-SEE-1464-W	425	13.25	60.44	0.5	19.91	0.23
F-SEE-1465-W	425	13.25	61.44	0.5	20.22	0.24
F-SEE-1466-W	425	13.25	62.44	0.5	20.53	0.24

Code	Price	H (in.)	W (in.)	D 1 (in.)	Weight (lb)	Volume (ft ³)
F-SEE-2024-W	218	19.25	20.44	0.5	10.67	0.11
F-SEE-2030-W	268	19.25	26.44	0.5	13.33	0.15
F-SEE-2036-W	315	19.25	32.44	0.5	16	0.18
F-SEE-2042-W	370	19.25	38.44	0.5	18.67	0.21
F-SEE-2044-W	395	19.25	40.44	0.5	19.56	0.23
F-SEE-2045-W	395	19.25	41.44	0.5	20	0.23
F-SEE-2046-W	420	19.25	42.44	0.5	20.44	0.24
F-SEE-2048-W	420	19.25	44.44	0.5	21.33	0.25
F-SEE-2050-W	441	19.25	46.44	0.5	22.22	0.26
F-SEE-2051-W	441	19.25	47.44	0.5	22.67	0.26
F-SEE-2052-W	467	19.25	48.44	0.5	23.11	0.27
F-SEE-2053-W	467	19.25	49.44	0.5	23.56	0.28
F-SEE-2054-W	467	19.25	50.44	0.5	24	0.28
F-SEE-2056-W	496	19.25	52.44	0.5	24.89	0.29
F-SEE-2057-W	496	19.25	53.44	0.5	25.33	0.3
F-SEE-2058-W	520	19.25	54.44	0.5	25.78	0.3
F-SEE-2059-W	520	19.25	55.44	0.5	26.22	0.31
F-SEE-2060-W	520	19.25	56.44	0.5	26.67	0.31
F-SEE-2062-W	542	19.25	58.44	0.5	27.56	0.33
F-SEE-2063-W	542	19.25	59.44	0.5	28	0.33
F-SEE-2064-W	571	19.25	60.44	0.5	28.44	0.34
F-SEE-2065-W	571	19.25	61.44	0.5	28.89	0.34
F-SEE-2066-W	571	19.25	62.44	0.5	29.33	0.35

Code	Price	H (in.)	W (in.)	D 1 (in.)	Weight (lb)	Volume (ft ³)
F-SEE-0624-T	144	5.38	20.44	0.5	2.88	0.03
F-SEE-0630-T	174	5.38	26.44	0.5	3.6	0.04
F-SEE-0636-T	203	5.38	32.44	0.5	4.32	0.05
F-SEE-0642-T	235	5.38	38.44	0.5	5.04	0.06
F-SEE-0644-T	247	5.38	40.44	0.5	5.28	0.06
F-SEE-0645-T	247	5.38	41.44	0.5	5.4	0.06
F-SEE-0646-T	264	5.38	42.44	0.5	5.52	0.07
F-SEE-0648-T	264	5.38	44.44	0.5	5.76	0.07
F-SEE-0650-T	278	5.38	46.44	0.5	6	0.07
F-SEE-0651-T	278	5.38	47.44	0.5	6.12	0.07
F-SEE-0652-T	295	5.38	48.44	0.5	6.24	0.08
F-SEE-0653-T	295	5.38	49.44	0.5	6.36	0.08
F-SEE-0654-T	295	5.38	50.44	0.5	6.48	0.08
F-SEE-0656-T	308	5.38	52.44	0.5	6.72	0.08
F-SEE-0657-T	308	5.38	53.44	0.5	6.84	0.08
F-SEE-0658-T	324	5.38	54.44	0.5	6.96	0.08
F-SEE-0659-T	324	5.38	55.44	0.5	7.08	0.09
F-SEE-0660-T	324	5.38	56.44	0.5	7.2	0.09
F-SEE-0662-T	339	5.38	58.44	0.5	7.44	0.09
F-SEE-0663-T	339	5.38	59.44	0.5	7.56	0.09
F-SEE-0664-T	354	5.38	60.44	0.5	7.68	0.09
F-SEE-0665-T	354	5.38	61.44	0.5	7.8	0.1
F-SEE-0666-T	354	5.38	62.44	0.5	7.92	0.1

Code	Price	H (in.)	W (in.)	D 1 (in.)	Weight (lb)	Volume (ft ³)
F-SEE-1224-T	217	11.38	20.44	0.5	5.76	0.07
F-SEE-1230-T	263	11.38	26.44	0.5	7.2	0.09
F-SEE-1236-T	308	11.38	32.44	0.5	8.64	0.11
F-SEE-1242-T	354	11.38	38.44	0.5	10.08	0.13
F-SEE-1244-T	379	11.38	40.44	0.5	10.56	0.13
F-SEE-1245-T	379	11.38	41.44	0.5	10.8	0.14
F-SEE-1246-T	402	11.38	42.44	0.5	11.04	0.14
F-SEE-1248-T	402	11.38	44.44	0.5	11.52	0.15
F-SEE-1250-T	423	11.38	46.44	0.5	12	0.15
F-SEE-1251-T	423	11.38	47.44	0.5	12.24	0.16
F-SEE-1252-T	444	11.38	48.44	0.5	12.48	0.16
F-SEE-1253-T	444	11.38	49.44	0.5	12.72	0.16
F-SEE-1254-T	444	11.38	50.44	0.5	12.96	0.17
F-SEE-1256-T	472	11.38	52.44	0.5	13.44	0.17
F-SEE-1257-T	472	11.38	53.44	0.5	13.68	0.18
F-SEE-1258-T	491	11.38	54.44	0.5	13.92	0.18
F-SEE-1259-T	491	11.38	55.44	0.5	14.16	0.18
F-SEE-1260-T	491	11.38	56.44	0.5	14.4	0.19
F-SEE-1262-T	516	11.38	58.44	0.5	14.88	0.19
F-SEE-1263-T	516	11.38	59.44	0.5	15.12	0.2
F-SEE-1264-T	541	11.38	60.44	0.5	15.36	0.2
F-SEE-1265-T	541	11.38	61.44	0.5	15.6	0.2
F-SEE-1266-T	541	11.38	62.44	0.5	15.84	0.21

Code	Price	H (in.)	W (in.)	D 1 (in.)	Weight (lb)	Volume (ft ³)
F-SEE-1424-T	238	13.25	20.44	0.5	6.72	0.08
F-SEE-1430-T	293	13.25	26.44	0.5	8.4	0.1
F-SEE-1436-T	340	13.25	32.44	0.5	10.08	0.12
F-SEE-1442-T	393	13.25	38.44	0.5	11.76	0.15
F-SEE-1444-T	420	13.25	40.44	0.5	12.32	0.16
F-SEE-1445-T	420	13.25	41.44	0.5	12.6	0.16
F-SEE-1446-T	441	13.25	42.44	0.5	12.88	0.16
F-SEE-1448-T	441	13.25	44.44	0.5	13.44	0.17
F-SEE-1450-T	470	13.25	46.44	0.5	14	0.18
F-SEE-1451-T	470	13.25	47.44	0.5	14.28	0.18
F-SEE-1452-T	496	13.25	48.44	0.5	14.56	0.19
F-SEE-1453-T	496	13.25	49.44	0.5	14.84	0.19
F-SEE-1454-T	496	13.25	50.44	0.5	15.12	0.19
F-SEE-1456-T	521	13.25	52.44	0.5	15.68	0.2
F-SEE-1457-T	521	13.25	53.44	0.5	15.96	0.2
F-SEE-1458-T	546	13.25	54.44	0.5	16.24	0.21
F-SEE-1459-T	546	13.25	55.44	0.5	16.52	0.21
F-SEE-1460-T	546	13.25	56.44	0.5	16.8	0.22
F-SEE-1462-T	572	13.25	58.44	0.5	17.36	0.22
F-SEE-1463-T	572	13.25	59.44	0.5	17.64	0.23
F-SEE-1464-T	598	13.25	60.44	0.5	17.92	0.23
F-SEE-1465-T	598	13.25	61.44	0.5	18.2	0.24
F-SEE-1466-T	598	13.25	62.44	0.5	18.48	0.24

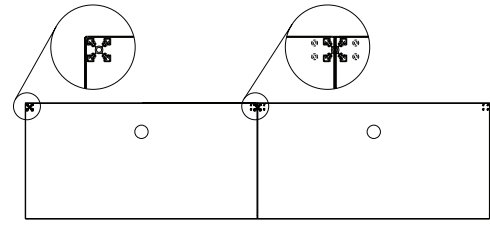
Code	Price	H (in.)	W (in.)	D 1 (in.)	Weight (lb)	Volume (ft ³)
F-SEE-2024-T	310	19.25	20.44	0.5	9.6	0.11
F-SEE-2030-T	379	19.25	26.44	0.5	12	0.15
F-SEE-2036-T	444	19.25	32.44	0.5	14.4	0.18
F-SEE-2042-T	514	19.25	38.44	0.5	16.8	0.21
F-SEE-2044-T	546	19.25	40.44	0.5	17.6	0.23
F-SEE-2045-T	546	19.25	41.44	0.5	18	0.23
F-SEE-2046-T	581	19.25	42.44	0.5	18.4	0.24
F-SEE-2048-T	581	19.25	44.44	0.5	19.2	0.25
F-SEE-2050-T	613	19.25	46.44	0.5	20	0.26
F-SEE-2051-T	613	19.25	47.44	0.5	20.4	0.26
F-SEE-2052-T	647	19.25	48.44	0.5	20.8	0.27
F-SEE-2053-T	647	19.25	49.44	0.5	21.2	0.28
F-SEE-2054-T	647	19.25	50.44	0.5	21.6	0.28
F-SEE-2056-T	681	19.25	52.44	0.5	22.4	0.29
F-SEE-2057-T	681	19.25	53.44	0.5	22.8	0.3
F-SEE-2058-T	716	19.25	54.44	0.5	23.2	0.3
F-SEE-2059-T	716	19.25	55.44	0.5	23.6	0.31
F-SEE-2060-T	716	19.25	56.44	0.5	24	0.31
F-SEE-2062-T	751	19.25	58.44	0.5	24.8	0.33
F-SEE-2063-T	751	19.25	59.44	0.5	25.2	0.33
F-SEE-2064-T	785	19.25	60.44	0.5	25.6	0.34
F-SEE-2065-T	785	19.25	61.44	0.5	26	0.34
F-SEE-2066-T	785	19.25	62.44	0.5	26.4	0.35

Code	Price	H (in.)	W (in.)	D 1 (in.)	Weight (lb)	Volume (ft ³)
F-SEE-0624-F	98	5.38	20.44	0.5	1.44	0.03
F-SEE-0630-F	120	5.38	26.44	0.5	1.8	0.04
F-SEE-0636-F	142	5.38	32.44	0.5	2.16	0.05
F-SEE-0642-F	161	5.38	38.44	0.5	2.52	0.06
F-SEE-0644-F	173	5.38	40.44	0.5	2.64	0.06
F-SEE-0645-F	173	5.38	41.44	0.5	2.7	0.06
F-SEE-0646-F	181	5.38	42.44	0.5	2.76	0.07
F-SEE-0648-F	181	5.38	44.44	0.5	2.88	0.07
F-SEE-0650-F	194	5.38	46.44	0.5	3	0.07
F-SEE-0651-F	194	5.38	47.44	0.5	3.06	0.07
F-SEE-0652-F	203	5.38	48.44	0.5	3.12	0.08
F-SEE-0653-F	203	5.38	49.44	0.5	3.18	0.08
F-SEE-0654-F	203	5.38	50.44	0.5	3.24	0.08
F-SEE-0656-F	217	5.38	52.44	0.5	3.36	0.08
F-SEE-0657-F	217	5.38	53.44	0.5	3.42	0.08
F-SEE-0658-F	228	5.38	54.44	0.5	3.48	0.08
F-SEE-0659-F	228	5.38	55.44	0.5	3.54	0.09
F-SEE-0660-F	228	5.38	56.44	0.5	3.6	0.09
F-SEE-0662-F	237	5.38	58.44	0.5	3.72	0.09
F-SEE-0663-F	237	5.38	59.44	0.5	3.78	0.09
F-SEE-0664-F	246	5.38	60.44	0.5	3.84	0.09
F-SEE-0665-F	246	5.38	61.44	0.5	3.9	0.1
F-SEE-0666-F	246	5.38	62.44	0.5	3.96	0.1

Code	Price	H (in.)	W (in.)	D 1 (in.)	Weight (lb)	Volume (ft ³)
F-SEE-1224-F	146	11.38	20.44	0.5	2.88	0.07
F-SEE-1230-F	180	11.38	26.44	0.5	3.6	0.09
F-SEE-1236-F	216	11.38	32.44	0.5	4.32	0.11
F-SEE-1242-F	246	11.38	38.44	0.5	5.04	0.13
F-SEE-1244-F	264	11.38	40.44	0.5	5.28	0.13
F-SEE-1245-F	264	11.38	41.44	0.5	5.4	0.14
F-SEE-1246-F	278	11.38	42.44	0.5	5.52	0.14
F-SEE-1248-F	278	11.38	44.44	0.5	5.76	0.15
F-SEE-1250-F	296	11.38	46.44	0.5	6	0.15
F-SEE-1251-F	296	11.38	47.44	0.5	6.12	0.16
F-SEE-1252-F	313	11.38	48.44	0.5	6.24	0.16
F-SEE-1253-F	313	11.38	49.44	0.5	6.36	0.16
F-SEE-1254-F	313	11.38	50.44	0.5	6.48	0.17
F-SEE-1256-F	330	11.38	52.44	0.5	6.72	0.17
F-SEE-1257-F	330	11.38	53.44	0.5	6.84	0.18
F-SEE-1258-F	344	11.38	54.44	0.5	6.96	0.18
F-SEE-1259-F	344	11.38	55.44	0.5	7.08	0.18
F-SEE-1260-F	344	11.38	56.44	0.5	7.2	0.19
F-SEE-1262-F	362	11.38	58.44	0.5	7.44	0.19
F-SEE-1263-F	362	11.38	59.44	0.5	7.56	0.2
F-SEE-1264-F	379	11.38	60.44	0.5	7.68	0.2
F-SEE-1265-F	379	11.38	61.44	0.5	7.8	0.2
F-SEE-1266-F	379	11.38	62.44	0.5	7.92	0.21

Code	Price	H (in.)	W (in.)	D 1 (in.)	Weight (lb)	Volume (ft ³)
F-SEE-1424-F	162	13.25	20.44	0.5	3.36	0.08
F-SEE-1430-F	199	13.25	26.44	0.5	4.2	0.1
F-SEE-1436-F	237	13.25	32.44	0.5	5.04	0.12
F-SEE-1442-F	275	13.25	38.44	0.5	5.88	0.15
F-SEE-1444-F	294	13.25	40.44	0.5	6.16	0.16
F-SEE-1445-F	294	13.25	41.44	0.5	6.3	0.16
F-SEE-1446-F	308	13.25	42.44	0.5	6.44	0.16
F-SEE-1448-F	308	13.25	44.44	0.5	6.72	0.17
F-SEE-1450-F	327	13.25	46.44	0.5	7	0.18
F-SEE-1451-F	327	13.25	47.44	0.5	7.14	0.18
F-SEE-1452-F	346	13.25	48.44	0.5	7.28	0.19
F-SEE-1453-F	346	13.25	49.44	0.5	7.42	0.19
F-SEE-1454-F	346	13.25	50.44	0.5	7.56	0.19
F-SEE-1456-F	363	13.25	52.44	0.5	7.84	0.2
F-SEE-1457-F	363	13.25	53.44	0.5	7.98	0.2
F-SEE-1458-F	383	13.25	54.44	0.5	8.12	0.21
F-SEE-1459-F	383	13.25	55.44	0.5	8.26	0.21
F-SEE-1460-F	383	13.25	56.44	0.5	8.4	0.22
F-SEE-1462-F	402	13.25	58.44	0.5	8.68	0.22
F-SEE-1463-F	402	13.25	59.44	0.5	8.82	0.23
F-SEE-1464-F	421	13.25	60.44	0.5	8.96	0.23
F-SEE-1465-F	421	13.25	61.44	0.5	9.1	0.24
F-SEE-1466-F	421	13.25	62.44	0.5	9.24	0.24

Code	Price	H (in.)	W (in.)	D 1 (in.)	Weight (lb)	Volume (ft ³)
F-SEE-2024-F	216	19.25	20.44	0.5	4.8	0.11
F-SEE-2030-F	263	19.25	26.44	0.5	6	0.15
F-SEE-2036-F	308	19.25	32.44	0.5	7.2	0.18
F-SEE-2042-F	360	19.25	38.44	0.5	8.4	0.21
F-SEE-2044-F	383	19.25	40.44	0.5	8.8	0.23
F-SEE-2045-F	383	19.25	41.44	0.5	9	0.23
F-SEE-2046-F	409	19.25	42.44	0.5	9.2	0.24
F-SEE-2048-F	409	19.25	44.44	0.5	9.6	0.25
F-SEE-2050-F	427	19.25	46.44	0.5	10	0.26
F-SEE-2051-F	427	19.25	47.44	0.5	10.2	0.26
F-SEE-2052-F	456	19.25	48.44	0.5	10.4	0.27
F-SEE-2053-F	456	19.25	49.44	0.5	10.6	0.28
F-SEE-2054-F	456	19.25	50.44	0.5	10.8	0.28
F-SEE-2056-F	480	19.25	52.44	0.5	11.2	0.29
F-SEE-2057-F	480	19.25	53.44	0.5	11.4	0.3
F-SEE-2058-F	505	19.25	54.44	0.5	11.6	0.3
F-SEE-2059-F	505	19.25	55.44	0.5	11.8	0.31
F-SEE-2060-F	505	19.25	56.44	0.5	12	0.31
F-SEE-2062-F	525	19.25	58.44	0.5	12.4	0.33
F-SEE-2063-F	525	19.25	59.44	0.5	12.6	0.33
F-SEE-2064-F	549	19.25	60.44	0.5	12.8	0.34
F-SEE-2065-F	549	19.25	61.44	0.5	13	0.34
F-SEE-2066-F	549	19.25	62.44	0.5	13.2	0.35



What's Included:

Privacy screen (1), Horizontal rails (2), vertical retainers (2).

How to Specify:

Available in various heights and widths to provide specific workstation requirements

Privacy screens can be specified in solid laminate, whiteboard, fabric tackboard, and frost acrylic.

Notes:

Privacy screen posts are 2-inches by 2-inches wide and are sold separately.

Options:

Height	6", 12", 14", 20"
Width	24", 30", 36", 42", 44", 45", 46", 48", 50", 51", 52", 53", 54", 56", 57", 58", 59", 60", 62", 63", 64", 65", 66", 68", 69", 70", 71", 72"
Screen material	S solid W whiteboard T fabric/tackboard F frost

How to Order and Read your Code:

F	SES	12	60	F
product line	item	height	width	acrylic

Code	Price	H (in.)	W (in.)	D T (in.)	Weight (lb)	Volume (ft ³)
F-SES-0624-S	55	5.38	21.69	0.5	2.88	0.03
F-SES-0630-S	62	5.38	27.69	0.5	3.6	0.04
F-SES-0636-S	72	5.38	33.69	0.5	4.32	0.05
F-SES-0637-S	77	5.38	34.69	0.5	4.45	0.05
F-SES-0637D-S	77	5.38	35.19	0.5	4.51	0.05
F-SES-0638-S	77	5.38	35.69	0.5	4.58	0.06
F-SES-0638D-S	77	5.38	36.19	0.5	4.64	0.06
F-SES-0639-S	77	5.38	36.69	0.5	4.68	0.06
F-SES-0640-S	82	5.38	37.69	0.5	4.81	0.06
F-SES-0641-S	82	5.38	38.69	0.5	4.94	0.06
F-SES-0641D-S	82	5.38	39.19	0.5	5	0.06
F-SES-0642-S	82	5.38	39.69	0.5	5.04	0.06
F-SES-0643-S	87	5.38	40.69	0.5	5.17	0.06
F-SES-0644-S	87	5.38	41.69	0.5	5.28	0.06
F-SES-0644D-S	87	5.38	42.19	0.5	5.34	0.07
F-SES-0645-S	87	5.38	42.69	0.5	5.4	0.07
F-SES-0646-S	94	5.38	43.69	0.5	5.52	0.07
F-SES-0648-S	94	5.38	45.69	0.5	5.76	0.07
F-SES-0650-S	98	5.38	47.69	0.5	6	0.07
F-SES-0651-S	98	5.38	48.69	0.5	6.12	0.08
F-SES-0652-S	101	5.38	49.69	0.5	6.24	0.08
F-SES-0653-S	101	5.38	50.69	0.5	6.36	0.08
F-SES-0654-S	101	5.38	51.69	0.5	6.48	0.08
F-SES-0656-S	106	5.38	53.69	0.5	6.72	0.08
F-SES-0657-S	106	5.38	54.69	0.5	6.84	0.09
F-SES-0658-S	114	5.38	55.69	0.5	6.96	0.09
F-SES-0659-S	114	5.38	56.69	0.5	7.08	0.09
F-SES-0660-S	114	5.38	57.69	0.5	7.2	0.09
F-SES-0662-S	117	5.38	59.69	0.5	7.44	0.09
F-SES-0663-S	117	5.38	60.69	0.5	7.56	0.09
F-SES-0664-S	124	5.38	61.69	0.5	7.68	0.1
F-SES-0665-S	124	5.38	62.69	0.5	7.8	0.1
F-SES-0666-S	124	5.38	63.69	0.5		
F-SES-0668-S	129					
F-SES-0669-S	129					
F-SES-0670-S	132					
F-SES-0671-S	132					
F-SES-0672-S	132					

Code	Price	H (in.)	W (in.)	D 1 (in.)	Weight (lb)	Volume (ft ³)
F-SES-1224-S	68	11.38	21.69	0.5	5.76	0.07
F-SES-1230-S	81	11.38	27.69	0.5	7.2	0.09
F-SES-1236-S	96	11.38	33.69	0.5	8.64	0.11
F-SES-1237-S	101	11.38	34.69	0.5	8.9	0.11
F-SES-1237D-S	101	11.38	35.19	0.5	9.02	0.12
F-SES-1238-S	101	11.38	35.69	0.5	9.15	0.12
F-SES-1238D-S	101	11.38	36.19	0.5	9.28	0.12
F-SES-1239-S	101	11.38	36.69	0.5	9.36	0.12
F-SES-1240-S	107	11.38	37.69	0.5	9.62	0.12
F-SES-1241-S	107	11.38	38.69	0.5	9.87	0.13
F-SES-1241D-S	107	11.38	39.19	0.5	10	0.13
F-SES-1242-S	107	11.38	39.69	0.5	10.08	0.13
F-SES-1243-S	116	11.38	40.69	0.5	10.32	0.13
F-SES-1244-S	116	11.38	41.69	0.5	10.56	0.14
F-SES-1244D-S	116	11.38	42.19	0.5	10.68	0.14
F-SES-1245-S	116	11.38	42.69	0.5	10.8	0.14
F-SES-1246-S	124	11.38	43.69	0.5	11.04	0.14
F-SES-1248-S	124	11.38	45.69	0.5	11.52	0.15
F-SES-1250-S	129	11.38	47.69	0.5	12	0.16
F-SES-1251-S	129	11.38	48.69	0.5	12.24	0.16
F-SES-1252-S	136	11.38	49.69	0.5	12.48	0.16
F-SES-1253-S	136	11.38	50.69	0.5	12.72	0.17
F-SES-1254-S	136	11.38	51.69	0.5	12.96	0.17
F-SES-1256-S	144	11.38	53.69	0.5	13.44	0.18
F-SES-1257-S	144	11.38	54.69	0.5	13.68	0.18
F-SES-1258-S	147	11.38	55.69	0.5	13.92	0.18
F-SES-1259-S	147	11.38	56.69	0.5	14.16	0.19
F-SES-1260-S	147	11.38	57.69	0.5	14.4	0.19
F-SES-1262-S	157	11.38	59.69	0.5	14.88	0.2
F-SES-1263-S	157	11.38	60.69	0.5	15.12	0.2
F-SES-1264-S	161	11.38	61.69	0.5	15.36	0.2
F-SES-1265-S	161	11.38	62.69	0.5	15.6	0.21
F-SES-1266-S	161	11.38	63.69	0.5	15.84	0.21

Code	Price	H (in.)	W (in.)	D 1 (in.)	Weight (lb)	Volume (ft ³)
F-SES-1424-S	72	13.25	21.69	0.5	6.72	0.08
F-SES-1430-S	87	13.25	27.69	0.5	8.4	0.11
F-SES-1434-S	101	13.25	31.69	0.5	10.08	0.12
F-SES-1434D-S	101	13.25	32.19	0.5	10.08	0.12
F-SES-1435-S	101	13.25	32.69	0.5	10.08	0.13
F-SES-1435D-S	101	13.25	33.19	0.5	10.08	0.13
F-SES-1436-S	101	13.25	33.69	0.5	10.08	0.13
F-SES-1437-S	107	13.25	34.69	0.5	10.36	0.13
F-SES-1437D-S	107	13.25	35.19	0.5	10.5	0.13
F-SES-1438-S	107	13.25	35.69	0.5	10.64	0.14
F-SES-1438D-S	107	13.25	36.19	0.5	10.78	0.14
F-SES-1439-S	107	13.25	36.69	0.5	10.92	0.14
F-SES-1440-S	117	13.25	37.69	0.5	11.2	0.14
F-SES-1441-S	117	13.25	38.69	0.5	11.48	0.15
F-SES-1441D-S	117	13.25	39.19	0.5	11.62	0.15
F-SES-1442-S	117	13.25	39.69	0.5	11.76	0.15
F-SES-1443-S	126	13.25	40.69	0.5	12.04	0.16
F-SES-1444-S	126	13.25	41.69	0.5	12.32	0.16
F-SES-1444D-S	126	13.25	42.19	0.5	12.46	0.16
F-SES-1445-S	126	13.25	42.69	0.5	12.6	0.16
F-SES-1446-S	132	13.25	43.69	0.5	12.88	0.17
F-SES-1448-S	132	13.25	45.69	0.5	13.44	0.18
F-SES-1450-S	142	13.25	47.69	0.5	14	0.18
F-SES-1451-S	142	13.25	48.69	0.5	14.28	0.19
F-SES-1452-S	145	13.25	49.69	0.5	14.56	0.19
F-SES-1453-S	145	13.25	50.69	0.5	14.84	0.19
F-SES-1454-S	145	13.25	51.69	0.5	15.12	0.2
F-SES-1456-S	152	13.25	53.69	0.5	15.68	0.21
F-SES-1457-S	152	13.25	54.69	0.5	15.96	0.21
F-SES-1458-S	160	13.25	55.69	0.5	16.24	0.21
F-SES-1459-S	160	13.25	56.69	0.5	16.52	0.22
F-SES-1460-S	160	13.25	57.69	0.5	16.8	0.22
F-SES-1462-S	170	13.25	59.69	0.5	17.36	0.23
F-SES-1463-S	170	13.25	60.69	0.5	17.64	0.23
F-SES-1464-S	175	13.25	61.69	0.5	17.92	0.24
F-SES-1465-S	175	13.25	62.69	0.5	18.2	0.24
F-SES-1466-S	175	13.25	63.69	0.5	18.48	0.24

Code	Price	H (in.)	W (in.)	D 1 (in.)	Weight (lb)	Volume (ft ³)
F-SES-2024-S	92	19.25	21.69	0.5	9.6	0.12
F-SES-2030-S	104	19.25	27.69	0.5	12	0.15
F-SES-2034-S	126	19.25	31.69	0.5	14.4	0.18
F-SES-2034D-S	126	19.25	32.19	0.5	14.4	0.18
F-SES-2035-S	126	19.25	32.69	0.5	14.4	0.18
F-SES-2035D-S	126	19.25	33.19	0.5	14.4	0.18
F-SES-2036-S	126	19.25	33.69	0.5	14.4	0.19
F-SES-2037-S	133	19.25	34.69	0.5	14.8	0.19
F-SES-2037D-S	133	19.25	35.19	0.5	15	0.2
F-SES-2038-S	133	19.25	35.69	0.5	15.2	0.2
F-SES-2038D-S	133	19.25	36.19	0.5	15.4	0.2
F-SES-2039-S	133	19.25	36.69	0.5	15.6	0.2
F-SES-2040-S	144	19.25	37.69	0.5	16	0.21
F-SES-2041-S	144	19.25	38.69	0.5	16.4	0.22
F-SES-2041D-S	144	19.25	39.19	0.5	16.6	0.22
F-SES-2042-S	144	19.25	39.69	0.5	16.8	0.22
F-SES-2043-S	149	19.25	40.69	0.5	17.2	0.23
F-SES-2044-S	149	19.25	41.69	0.5	17.6	0.23
F-SES-2044D-S	149	19.25	42.19	0.5	17.8	0.23
F-SES-2045-S	149	19.25	42.69	0.5	18	0.24
F-SES-2046-S	160	19.25	43.69	0.5	18.4	0.24
F-SES-2048-S	160	19.25	45.69	0.5	19.2	0.25
F-SES-2050-S	172	19.25	47.69	0.5	20	0.27
F-SES-2051-S	172	19.25	48.69	0.5	20.4	0.27
F-SES-2052-S	178	19.25	49.69	0.5	20.8	0.28
F-SES-2053-S	178	19.25	50.69	0.5	21.2	0.28
F-SES-2054-S	178	19.25	51.69	0.5	21.6	0.29
F-SES-2056-S	187	19.25	53.69	0.5	22.4	0.3
F-SES-2057-S	187	19.25	54.69	0.5	22.8	0.3
F-SES-2058-S	198	19.25	55.69	0.5	23.2	0.31
F-SES-2059-S	198	19.25	56.69	0.5	23.6	0.32
F-SES-2060-S	198	19.25	57.69	0.5	24	0.32
F-SES-2062-S	204	19.25	59.69	0.5	24.8	0.33
F-SES-2063-S	204	19.25	60.69	0.5	25.2	0.34
F-SES-2064-S	217	19.25	61.69	0.5	25.6	0.34
F-SES-2065-S	217	19.25	62.69	0.5	26	0.35
F-SES-2066-S	217	19.25	63.69	0.5	26.4	0.35

Code	Price	H (in.)	W (in.)	D 1 (in.)	Weight (lb)	Volume (ft ³)
F-SES-1224-W	149	11.38	21.69	0.5	6.4	0.07
F-SES-1230-W	181	11.38	27.69	0.5	8	0.09
F-SES-1236-W	217	11.38	33.69	0.5	9.6	0.11
F-SES-1237-W	228	11.38	34.69	0.5	9.88	0.11
F-SES-1237D-W	228	11.38	35.19	0.5	10.03	0.12
F-SES-1238-W	228	11.38	35.69	0.5	10.17	0.12
F-SES-1238D-W	228	11.38	36.19	0.5	10.31	0.12
F-SES-1239-W	228	11.38	36.69	0.5	10.4	0.12
F-SES-1240-W	247	11.38	37.69	0.5	10.68	0.12
F-SES-1241-W	247	11.38	38.69	0.5	10.97	0.13
F-SES-1241D-W	247	11.38	39.19	0.5	11.11	0.13
F-SES-1242-W	247	11.38	39.69	0.5	11.2	0.13
F-SES-1243-W	264	11.38	40.69	0.5	11.47	0.13
F-SES-1244-W	264	11.38	41.69	0.5	11.73	0.14
F-SES-1244D-W	264	11.38	42.19	0.5	11.87	0.14
F-SES-1245-W	264	11.38	42.69	0.5	12	0.14
F-SES-1246-W	281	11.38	43.69	0.5	12.27	0.14
F-SES-1248-W	281	11.38	45.69	0.5	12.8	0.15
F-SES-1250-W	298	11.38	47.69	0.5	13.33	0.16
F-SES-1251-W	298	11.38	48.69	0.5	13.6	0.16
F-SES-1252-W	310	11.38	49.69	0.5	13.87	0.16
F-SES-1253-W	310	11.38	50.69	0.5	14.13	0.17
F-SES-1254-W	310	11.38	51.69	0.5	14.4	0.17
F-SES-1256-W	330	11.38	53.69	0.5	14.93	0.18
F-SES-1257-W	330	11.38	54.69	0.5	15.2	0.18
F-SES-1258-W	348	11.38	55.69	0.5	15.47	0.18
F-SES-1259-W	348	11.38	56.69	0.5	15.73	0.19
F-SES-1260-W	348	11.38	57.69	0.5	16	0.19
F-SES-1262-W	366	11.38	59.69	0.5	16.53	0.2
F-SES-1263-W	366	11.38	60.69	0.5	16.8	0.2
F-SES-1264-W	380	11.38	61.69	0.5	17.07	0.2
F-SES-1265-W	380	11.38	62.69	0.5	17.33	0.21
F-SES-1266-W	380	11.38	63.69	0.5	17.6	0.21

Code	Price	H (in.)	W (in.)	D 1 (in.)	Weight (lb)	Volume (ft ³)
F-SES-1424-W	161	13.25	21.69	0.5	7.47	0.08
F-SES-1430-W	202	13.25	27.69	0.5	9.33	0.11
F-SES-1434-W	238	13.25	31.69	0.5	11.2	0.12
F-SES-1434D-W	238	13.25	32.19	0.5	11.2	0.12
F-SES-1435-W	238	13.25	32.69	0.5	11.2	0.13
F-SES-1435D-W	238	13.25	33.19	0.5	11.2	0.13
F-SES-1436-W	238	13.25	33.69	0.5	11.2	0.13
F-SES-1437-W	256	13.25	34.69	0.5	11.51	0.13
F-SES-1437D-W	256	13.25	35.19	0.5	11.67	0.13
F-SES-1438-W	256	13.25	35.69	0.5	11.82	0.14
F-SES-1438D-W	256	13.25	36.19	0.5	11.98	0.14
F-SES-1439-W	256	13.25	36.69	0.5	12.13	0.14
F-SES-1440-W	277	13.25	37.69	0.5	12.45	0.14
F-SES-1441-W	277	13.25	38.69	0.5	12.76	0.15
F-SES-1441D-W	277	13.25	39.19	0.5	12.91	0.15
F-SES-1442-W	277	13.25	39.69	0.5	13.07	0.15
F-SES-1443-W	296	13.25	40.69	0.5	13.38	0.16
F-SES-1444-W	296	13.25	41.69	0.5	13.69	0.16
F-SES-1444D-W	296	13.25	42.19	0.5	13.85	0.16
F-SES-1445-W	296	13.25	42.69	0.5	14	0.16
F-SES-1446-W	310	13.25	43.69	0.5	14.31	0.17
F-SES-1448-W	310	13.25	45.69	0.5	14.93	0.18
F-SES-1450-W	334	13.25	47.69	0.5	15.56	0.18
F-SES-1451-W	334	13.25	48.69	0.5	15.87	0.19
F-SES-1452-W	349	13.25	49.69	0.5	16.18	0.19
F-SES-1453-W	349	13.25	50.69	0.5	16.49	0.19
F-SES-1454-W	349	13.25	51.69	0.5	16.8	0.2
F-SES-1456-W	371	13.25	53.69	0.5	17.42	0.21
F-SES-1457-W	371	13.25	54.69	0.5	17.73	0.21
F-SES-1458-W	388	13.25	55.69	0.5	18.04	0.21
F-SES-1459-W	388	13.25	56.69	0.5	18.36	0.22
F-SES-1460-W	388	13.25	57.69	0.5	18.67	0.22
F-SES-1462-W	408	13.25	59.69	0.5	19.29	0.23
F-SES-1463-W	408	13.25	60.69	0.5	19.6	0.23
F-SES-1464-W	425	13.25	61.69	0.5	19.91	0.24
F-SES-1465-W	425	13.25	62.69	0.5	20.22	0.24
F-SES-1466-W	425	13.25	63.69	0.5	20.53	0.24

Code	Price	H (in.)	W (in.)	D 1 (in.)	Weight (lb)	Volume (ft ³)
F-SES-2024-W	218	19.25	21.69	0.5	10.67	0.12
F-SES-2030-W	268	19.25	27.69	0.5	13.33	0.15
F-SES-2034-W	315	19.25	31.69	0.5	16	0.18
F-SES-2034D-W	315	19.25	32.19	0.5	16	0.18
F-SES-2035-W	315	19.25	32.69	0.5	16	0.18
F-SES-2035D-W	315	19.25	33.19	0.5	16	0.18
F-SES-2036-W	315	19.25	33.69	0.5	16	0.19
F-SES-2037-W	342	19.25	34.69	0.5	16.45	0.19
F-SES-2037D-W	342	19.25	35.19	0.5	16.67	0.2
F-SES-2038-W	342	19.25	35.69	0.5	16.89	0.2
F-SES-2038D-W	342	19.25	36.19	0.5	17.11	0.2
F-SES-2039-W	342	19.25	36.69	0.5	17.33	0.2
F-SES-2040-W	370	19.25	37.69	0.5	17.78	0.21
F-SES-2041-W	370	19.25	38.69	0.5	18.22	0.22
F-SES-2041D-W	370	19.25	39.19	0.5	18.45	0.22
F-SES-2042-W	370	19.25	39.69	0.5	18.67	0.22
F-SES-2043-W	395	19.25	40.69	0.5	19.11	0.23
F-SES-2044-W	395	19.25	41.69	0.5	19.56	0.23
F-SES-2044D-W	395	19.25	42.19	0.5	19.78	0.23
F-SES-2045-W	395	19.25	42.69	0.5	20	0.24
F-SES-2046-W	420	19.25	43.69	0.5	20.44	0.24
F-SES-2048-W	420	19.25	45.69	0.5	21.33	0.25
F-SES-2050-W	441	19.25	47.69	0.5	22.22	0.27
F-SES-2051-W	441	19.25	48.69	0.5	22.67	0.27
F-SES-2052-W	467	19.25	49.69	0.5	23.11	0.28
F-SES-2053-W	467	19.25	50.69	0.5	23.56	0.28
F-SES-2054-W	467	19.25	51.69	0.5	24	0.29
F-SES-2056-W	496	19.25	53.69	0.5	24.89	0.3
F-SES-2057-W	496	19.25	54.69	0.5	25.33	0.3
F-SES-2058-W	520	19.25	55.69	0.5	25.78	0.31
F-SES-2059-W	520	19.25	56.69	0.5	26.22	0.32
F-SES-2060-W	520	19.25	57.69	0.5	26.67	0.32
F-SES-2062-W	542	19.25	59.69	0.5	27.56	0.33
F-SES-2063-W	542	19.25	60.69	0.5	28	0.34
F-SES-2064-W	571	19.25	61.69	0.5	28.44	0.34
F-SES-2065-W	571	19.25	62.69	0.5	28.89	0.35
F-SES-2066-W	571	19.25	63.69	0.5	29.33	0.35

Code	Price	H (in.)	W (in.)	D 1 (in.)	Weight (lb)	Volume (ft ³)
F-SES-0624-T	144	5.38	21.69	0.5	2.88	0.03
F-SES-0630-T	174	5.38	27.69	0.5	3.6	0.04
F-SES-0636-T	203	5.38	33.69	0.5	4.32	0.05
F-SES-0637-T	220	5.38	34.69	0.5	4.45	0.05
F-SES-0637D-T	220	5.38	35.19	0.5	4.51	0.05
F-SES-0638-T	220	5.38	35.69	0.5	4.58	0.06
F-SES-0638D-T	220	5.38	36.19	0.5	4.64	0.06
F-SES-0639-T	220	5.38	36.69	0.5	4.68	0.06
F-SES-0640-T	235	5.38	37.69	0.5	4.81	0.06
F-SES-0641-T	235	5.38	38.69	0.5	4.94	0.06
F-SES-0641D-T	235	5.38	39.19	0.5	5	0.06
F-SES-0642-T	235	5.38	39.69	0.5	5.04	0.06
F-SES-0643-T	247	5.38	40.69	0.5	5.17	0.06
F-SES-0644-T	247	5.38	41.69	0.5	5.28	0.06
F-SES-0644D-T	247	5.38	42.19	0.5	5.34	0.07
F-SES-0645-T	247	5.38	42.69	0.5	5.4	0.07
F-SES-0646-T	264	5.38	43.69	0.5	5.52	0.07
F-SES-0648-T	264	5.38	45.69	0.5	5.76	0.07
F-SES-0650-T	278	5.38	47.69	0.5	6	0.07
F-SES-0651-T	278	5.38	48.69	0.5	6.12	0.08
F-SES-0652-T	295	5.38	49.69	0.5	6.24	0.08
F-SES-0653-T	295	5.38	50.69	0.5	6.36	0.08
F-SES-0654-T	295	5.38	51.69	0.5	6.48	0.08
F-SES-0656-T	308	5.38	53.69	0.5	6.72	0.08
F-SES-0657-T	308	5.38	54.69	0.5	6.84	0.09
F-SES-0658-T	324	5.38	55.69	0.5	6.96	0.09
F-SES-0659-T	324	5.38	56.69	0.5	7.08	0.09
F-SES-0660-T	324	5.38	57.69	0.5	7.2	0.09
F-SES-0662-T	339	5.38	59.69	0.5	7.44	0.09
F-SES-0663-T	339	5.38	60.69	0.5	7.56	0.09
F-SES-0664-T	354	5.38	61.69	0.5	7.68	0.1
F-SES-0665-T	354	5.38	62.69	0.5	7.8	0.1
F-SES-0666-T	354	5.38	63.69	0.5	7.92	0.1

Code	Price	H (in.)	W (in.)	D 1 (in.)	Weight (lb)	Volume (ft ³)
F-SES-1224-T	217	11.38	21.69	0.5	5.76	0.07
F-SES-1230-T	263	11.38	27.69	0.5	7.2	0.09
F-SES-1235-T	308	11.38	32.69	0.5	8.64	0.11
F-SES-1236-T	308	11.38	33.69	0.5	8.64	0.11
F-SES-1237-T	334	11.38	34.69	0.5	8.9	0.11
F-SES-1237D-T	334	11.38	35.19	0.5	9.02	0.12
F-SES-1238-T	334	11.38	35.69	0.5	9.15	0.12
F-SES-1238D-T	334	11.38	36.19	0.5	9.28	0.12
F-SES-1239-T	334	11.38	36.69	0.5	9.36	0.12
F-SES-1240-T	354	11.38	37.69	0.5	9.62	0.12
F-SES-1241-T	354	11.38	38.69	0.5	9.87	0.13
F-SES-1241D-T	354	11.38	39.19	0.5	10	0.13
F-SES-1242-T	354	11.38	39.69	0.5	10.08	0.13
F-SES-1243-T	379	11.38	40.69	0.5	10.32	0.13
F-SES-1244-T	379	11.38	41.69	0.5	10.56	0.14
F-SES-1244D-T	379	11.38	42.19	0.5	10.68	0.14
F-SES-1245-T	379	11.38	42.69	0.5	10.8	0.14
F-SES-1246-T	402	11.38	43.69	0.5	11.04	0.14
F-SES-1248-T	402	11.38	45.69	0.5	11.52	0.15
F-SES-1250-T	423	11.38	47.69	0.5	12	0.16
F-SES-1251-T	423	11.38	48.69	0.5	12.24	0.16
F-SES-1252-T	444	11.38	49.69	0.5	12.48	0.16
F-SES-1253-T	444	11.38	50.69	0.5	12.72	0.17
F-SES-1254-T	444	11.38	51.69	0.5	12.96	0.17
F-SES-1256-T	472	11.38	53.69	0.5	13.44	0.18
F-SES-1257-T	472	11.38	54.69	0.5	13.68	0.18
F-SES-1258-T	491	11.38	55.69	0.5	13.92	0.18
F-SES-1259-T	491	11.38	56.69	0.5	14.16	0.19
F-SES-1260-T	491	11.38	57.69	0.5	14.4	0.19
F-SES-1262-T	516	11.38	59.69	0.5	14.88	0.2
F-SES-1263-T	516	11.38	60.69	0.5	15.12	0.2
F-SES-1264-T	541	11.38	61.69	0.5	15.36	0.2
F-SES-1265-T	541	11.38	62.69	0.5	15.6	0.21
F-SES-1266-T	541	11.38	63.69	0.5	15.84	0.21

Code	Price	H (in.)	W (in.)	D 1 (in.)	Weight (lb)	Volume (ft ³)
F-SES-1424-T	238	13.25	21.69	0.5	6.72	0.07
F-SES-1430-T	293	13.25	27.69	0.5	8.4	0.11
F-SES-1434-T	340	13.25	31.69	0.5	10.08	0.12
F-SES-1434D-T	340	13.25	32.19	0.5	10.08	0.12
F-SES-1435-T	340	13.25	32.69	0.5	10.08	0.12
F-SES-1435D-T	340	13.25	33.19	0.5	10.08	0.13
F-SES-1436-T	340	13.25	33.69	0.5	10.08	0.13
F-SES-1437-T	368	13.25	34.69	0.5	10.36	0.13
F-SES-1437D-T	368	13.25	35.19	0.5	10.5	0.13
F-SES-1438-T	368	13.25	35.69	0.5	10.64	0.13
F-SES-1438D-T	368	13.25	36.19	0.5	10.78	0.14
F-SES-1439-T	368	13.25	36.69	0.5	10.92	0.14
F-SES-1440-T	393	13.25	37.69	0.5	11.2	0.14
F-SES-1441-T	393	13.25	38.69	0.5	11.48	0.14
F-SES-1441D-T	393	13.25	39.19	0.5	11.62	0.15
F-SES-1442-T	393	13.25	39.69	0.5	11.76	0.15
F-SES-1443-T	420	13.25	40.69	0.5	12.04	0.15
F-SES-1444-T	420	13.25	41.69	0.5	12.32	0.16
F-SES-1444D-T	420	13.25	42.19	0.5	12.46	0.16
F-SES-1445-T	420	13.25	42.69	0.5	12.6	0.16
F-SES-1446-T	441	13.25	43.69	0.5	12.88	0.17
F-SES-1448-T	441	13.25	45.69	0.5	13.44	0.18
F-SES-1450-T	470	13.25	47.69	0.5	14	0.18
F-SES-1451-T	470	13.25	48.69	0.5	14.28	0.19
F-SES-1452-T	496	13.25	49.69	0.5	14.56	0.19
F-SES-1453-T	496	13.25	50.69	0.5	14.84	0.19
F-SES-1454-T	496	13.25	51.69	0.5	15.12	0.2
F-SES-1456-T	521	13.25	53.69	0.5	15.68	0.21
F-SES-1457-T	521	13.25	54.69	0.5	15.96	0.21
F-SES-1458-T	546	13.25	55.69	0.5	16.24	0.21
F-SES-1459-T	546	13.25	56.69	0.5	16.52	0.22
F-SES-1460-T	546	13.25	57.69	0.5	16.8	0.22
F-SES-1462-T	572	13.25	59.69	0.5	17.36	0.23
F-SES-1463-T	572	13.25	60.69	0.5	17.64	0.23
F-SES-1464-T	598	13.25	61.69	0.5	17.92	0.24
F-SES-1465-T	598	13.25	62.69	0.5	18.2	0.24
F-SES-1466-T	598	13.25	63.69	0.5	18.48	0.24

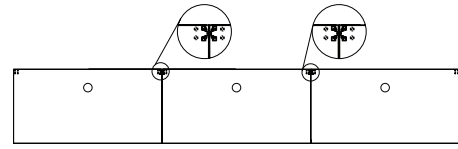
Code	Price	H (in.)	W (in.)	D 1 (in.)	Weight (lb)	Volume (ft ³)
F-SES-2024-T	310	19.25	21.69	0.5	9.6	0.12
F-SES-2030-T	379	19.25	27.69	0.5	12	0.15
F-SES-2034-T	444	19.25	31.69	0.5	14.4	0.18
F-SES-2034D-T	444	19.25	32.19	0.5	14.4	0.18
F-SES-2035-T	444	19.25	32.69	0.5	14.4	0.18
F-SES-2035D-T	444	19.25	33.19	0.5	14.4	0.18
F-SES-2036-T	444	19.25	33.69	0.5	14.4	0.19
F-SES-2037-T	481	19.25	34.69	0.5	14.8	0.19
F-SES-2037D-T	481	19.25	35.19	0.5	15	0.2
F-SES-2038-T	481	19.25	35.69	0.5	15.2	0.2
F-SES-2038D-T	481	19.25	36.19	0.5	15.4	0.2
F-SES-2039-T	481	19.25	36.69	0.5	15.6	0.2
F-SES-2040-T	514	19.25	37.69	0.5	16	0.21
F-SES-2041-T	514	19.25	38.69	0.5	16.4	0.22
F-SES-2041D-T	514	19.25	39.19	0.5	16.6	0.22
F-SES-2042-T	514	19.25	39.69	0.5	16.8	0.22
F-SES-2043-T	546	19.25	40.69	0.5	17.2	0.23
F-SES-2044-T	546	19.25	41.69	0.5	17.6	0.23
F-SES-2044D-T	546	19.25	42.19	0.5	17.8	0.23
F-SES-2045-T	546	19.25	42.69	0.5	18	0.24
F-SES-2046-T	581	19.25	43.69	0.5	18.4	0.24
F-SES-2048-T	581	19.25	45.69	0.5	19.2	0.25
F-SES-2050-T	613	19.25	47.69	0.5	20	0.27
F-SES-2051-T	613	19.25	48.69	0.5	20.4	0.27
F-SES-2052-T	647	19.25	49.69	0.5	20.8	0.28
F-SES-2053-T	647	19.25	50.69	0.5	21.2	0.28
F-SES-2054-T	647	19.25	51.69	0.5	21.6	0.29
F-SES-2056-T	681	19.25	53.69	0.5	22.4	0.3
F-SES-2057-T	681	19.25	54.69	0.5	22.8	0.3
F-SES-2058-T	716	19.25	55.69	0.5	23.2	0.31
F-SES-2059-T	716	19.25	56.69	0.5	23.6	0.32
F-SES-2060-T	716	19.25	57.69	0.5	24	0.32
F-SES-2062-T	751	19.25	59.69	0.5	24.8	0.33
F-SES-2063-T	751	19.25	60.69	0.5	25.2	0.34
F-SES-2064-T	785	19.25	61.69	0.5	25.6	0.34
F-SES-2065-T	785	19.25	62.69	0.5	26	0.35
F-SES-2066-T	785	19.25	63.69	0.5	26.4	0.35

Code	Price	H (in.)	W (in.)	D 1 (in.)	Weight (lb)	Volume (ft ³)
F-SES-0624-F	98	5.38	21.69	0.5	1.44	0.03
F-SES-0630-F	120	5.38	27.69	0.5	1.8	0.04
F-SES-0636-F	142	5.38	33.69	0.5	2.16	0.05
F-SES-0637-F	149	5.38	34.69	0.5	2.22	0.05
F-SES-0637D-F	149	5.38	35.19	0.5	2.26	0.05
F-SES-0638-F	149	5.38	35.69	0.5	2.29	0.06
F-SES-0638D-F	149	5.38	36.19	0.5	2.32	0.06
F-SES-0639-F	149	5.38	36.69	0.5	2.34	0.06
F-SES-0640-F	161	5.38	37.69	0.5	2.4	0.06
F-SES-0641-F	161	5.38	38.69	0.5	2.47	0.06
F-SES-0641D-F	161	5.38	39.19	0.5	2.5	0.06
F-SES-0642-F	161	5.38	39.69	0.5	2.52	0.06
F-SES-0643-F	173	5.38	40.69	0.5	2.58	0.06
F-SES-0644-F	173	5.38	41.69	0.5	2.64	0.06
F-SES-0644D-F	173	5.38	42.19	0.5	2.67	0.07
F-SES-0645-F	173	5.38	42.69	0.5	2.7	0.07
F-SES-0646-F	181	5.38	43.69	0.5	2.76	0.07
F-SES-0648-F	181	5.38	45.69	0.5	2.88	0.07
F-SES-0650-F	194	5.38	47.69	0.5	3	0.07
F-SES-0651-F	194	5.38	48.69	0.5	3.06	0.08
F-SES-0652-F	203	5.38	49.69	0.5	3.12	0.08
F-SES-0653-F	203	5.38	50.69	0.5	3.18	0.08
F-SES-0654-F	203	5.38	51.69	0.5	3.24	0.08
F-SES-0656-F	217	5.38	53.69	0.5	3.36	0.08
F-SES-0657-F	217	5.38	54.69	0.5	3.42	0.09
F-SES-0658-F	228	5.38	55.69	0.5	3.48	0.09
F-SES-0659-F	228	5.38	56.69	0.5	3.54	0.09
F-SES-0660-F	228	5.38	57.69	0.5	3.6	0.09
F-SES-0662-F	237	5.38	59.69	0.5	3.72	0.09
F-SES-0663-F	237	5.38	60.69	0.5	3.78	0.09
F-SES-0664-F	246	5.38	61.69	0.5	3.84	0.1
F-SES-0665-F	246	5.38	62.69	0.5	3.9	0.1
F-SES-0666-F	246	5.38	63.69	0.5	3.96	0.1

Code	Price	H (in.)	W (in.)	D 1 (in.)	Weight (lb)	Volume (ft ³)
F-SES-1224-F	146	11.38	21.69	0.5	2.88	0.07
F-SES-1230-F	180	11.38	27.69	0.5	3.6	0.09
F-SES-1236-F	216	11.38	33.69	0.5	4.32	0.11
F-SES-1237-F	230	11.38	34.69	0.5	4.45	0.11
F-SES-1237D-F	230	11.38	35.19	0.5	4.51	0.12
F-SES-1238-F	230	11.38	35.69	0.5	4.58	0.12
F-SES-1238D-F	230	11.38	36.19	0.5	4.64	0.12
F-SES-1239-F	230	11.38	36.69	0.5	4.68	0.12
F-SES-1240-F	246	11.38	37.69	0.5	4.81	0.12
F-SES-1241-F	246	11.38	38.69	0.5	4.94	0.13
F-SES-1241D-F	246	11.38	39.19	0.5	5	0.13
F-SES-1242-F	246	11.38	39.69	0.5	5.04	0.13
F-SES-1243-F	264	11.38	40.69	0.5	5.16	0.13
F-SES-1244-F	264	11.38	41.69	0.5	5.28	0.14
F-SES-1244D-F	264	11.38	42.19	0.5	5.34	0.14
F-SES-1245-F	264	11.38	42.69	0.5	5.4	0.14
F-SES-1246-F	278	11.38	43.69	0.5	5.52	0.14
F-SES-1248-F	278	11.38	45.69	0.5	5.76	0.15
F-SES-1250-F	296	11.38	47.69	0.5	6	0.16
F-SES-1251-F	296	11.38	48.69	0.5	6.12	0.16
F-SES-1252-F	313	11.38	49.69	0.5	6.24	0.16
F-SES-1253-F	313	11.38	50.69	0.5	6.36	0.17
F-SES-1254-F	313	11.38	51.69	0.5	6.48	0.17
F-SES-1256-F	330	11.38	53.69	0.5	6.72	0.18
F-SES-1257-F	330	11.38	54.69	0.5	6.84	0.18
F-SES-1258-F	344	11.38	55.69	0.5	6.96	0.18
F-SES-1259-F	344	11.38	56.69	0.5	7.08	0.19
F-SES-1260-F	344	11.38	57.69	0.5	7.2	0.19
F-SES-1262-F	362	11.38	59.69	0.5	7.44	0.2
F-SES-1263-F	362	11.38	60.69	0.5	7.56	0.2
F-SES-1264-F	379	11.38	61.69	0.5	7.68	0.2
F-SES-1265-F	379	11.38	62.69	0.5	7.8	0.21
F-SES-1266-F	379	11.38	63.69	0.5	7.92	0.21

Code	Price	H (in.)	W (in.)	D 1 (in.)	Weight (lb)	Volume (ft ³)
F-SES-1424-F	162	13.25	21.69	0.5	3.36	0.08
F-SES-1430-F	199	13.25	27.69	0.5	4.2	0.11
F-SES-1434-F	237	13.25	31.69	0.5	5.04	0.12
F-SES-1434D-F	237	13.25	32.19	0.5	5.04	0.12
F-SES-1435-F	237	13.25	32.69	0.5	5.04	0.13
F-SES-1435D-F	237	13.25	33.19	0.5	5.04	0.13
F-SES-1436-F	237	13.25	33.69	0.5	5.04	0.13
F-SES-1437-F	251	13.25	34.69	0.5	5.18	0.13
F-SES-1437D-F	251	13.25	35.19	0.5	5.25	0.13
F-SES-1438-F	251	13.25	35.69	0.5	5.32	0.14
F-SES-1438D-F	251	13.25	36.19	0.5	5.39	0.14
F-SES-1439-F	251	13.25	36.69	0.5	5.46	0.14
F-SES-1440-F	275	13.25	37.69	0.5	5.6	0.14
F-SES-1441-F	275	13.25	38.69	0.5	5.74	0.15
F-SES-1441D-F	275	13.25	39.19	0.5	5.81	0.15
F-SES-1442-F	275	13.25	39.69	0.5	5.88	0.15
F-SES-1443-F	294	13.25	40.69	0.5	6.02	0.16
F-SES-1444-F	294	13.25	41.69	0.5	6.16	0.16
F-SES-1444D-F	294	13.25	42.19	0.5	6.23	0.16
F-SES-1445-F	294	13.25	42.69	0.5	6.3	0.16
F-SES-1446-F	308	13.25	43.69	0.5	6.44	0.17
F-SES-1448-F	308	13.25	45.69	0.5	6.72	0.18
F-SES-1450-F	327	13.25	47.69	0.5	7	0.18
F-SES-1451-F	327	13.25	48.69	0.5	7.14	0.19
F-SES-1452-F	346	13.25	49.69	0.5	7.28	0.19
F-SES-1453-F	346	13.25	50.69	0.5	7.42	0.19
F-SES-1454-F	346	13.25	51.69	0.5	7.56	0.2
F-SES-1456-F	363	13.25	53.69	0.5	7.84	0.21
F-SES-1457-F	363	13.25	54.69	0.5	7.98	0.21
F-SES-1458-F	383	13.25	55.69	0.5	8.12	0.21
F-SES-1459-F	383	13.25	56.69	0.5	8.26	0.22
F-SES-1460-F	383	13.25	57.69	0.5	8.4	0.22
F-SES-1462-F	402	13.25	59.69	0.5	8.68	0.23
F-SES-1463-F	402	13.25	60.69	0.5	8.82	0.23
F-SES-1464-F	421	13.25	61.69	0.5	8.96	0.24
F-SES-1465-F	421	13.25	62.69	0.5	9.1	0.24
F-SES-1466-F	421	13.25	63.69	0.5	9.24	0.24

Code	Price	H (in.)	W (in.)	D 1 (in.)	Weight (lb)	Volume (ft ³)
F-SES-2024-F	216	19.25	21.69	0.5	4.8	0.12
F-SES-2030-F	263	19.25	27.69	0.5	6	0.15
F-SES-2034-F	308	19.25	31.69	0.5	7.2	0.18
F-SES-2034D-F	308	19.25	32.19	0.5	7.2	0.18
F-SES-2035-F	308	19.25	32.69	0.5	7.2	0.18
F-SES-2035D-F	308	19.25	33.19	0.5	7.2	0.18
F-SES-2036-F	308	19.25	33.69	0.5	7.2	0.19
F-SES-2037-F	335	19.25	34.69	0.5	7.4	0.19
F-SES-2037D-F	335	19.25	35.19	0.5	7.5	0.2
F-SES-2038-F	335	19.25	35.69	0.5	7.6	0.2
F-SES-2038D-F	335	19.25	36.19	0.5	7.7	0.2
F-SES-2039-F	335	19.25	36.69	0.5	7.8	0.2
F-SES-2040-F	360	19.25	37.69	0.5	8	0.21
F-SES-2041-F	360	19.25	38.69	0.5	8.2	0.22
F-SES-2041D-F	360	19.25	39.19	0.5	8.3	0.22
F-SES-2042-F	360	19.25	39.69	0.5	8.4	0.22
F-SES-2043-F	383	19.25	40.69	0.5	8.6	0.23
F-SES-2044-F	383	19.25	41.69	0.5	8.8	0.23
F-SES-2044D-F	383	19.25	42.19	0.5	8.9	0.23
F-SES-2045-F	383	19.25	42.69	0.5	9	0.24
F-SES-2046-F	409	19.25	43.69	0.5	9.2	0.24
F-SES-2048-F	409	19.25	45.69	0.5	9.6	0.25
F-SES-2050-F	427	19.25	47.69	0.5	10	0.27
F-SES-2051-F	427	19.25	48.69	0.5	10.2	0.27
F-SES-2052-F	456	19.25	49.69	0.5	10.4	0.28
F-SES-2053-F	456	19.25	50.69	0.5	10.6	0.28
F-SES-2054-F	456	19.25	51.69	0.5	10.8	0.29
F-SES-2056-F	480	19.25	53.69	0.5	11.2	0.3
F-SES-2057-F	480	19.25	54.69	0.5	11.4	0.3
F-SES-2058-F	505	19.25	55.69	0.5	11.6	0.31
F-SES-2059-F	505	19.25	56.69	0.5	11.8	0.32
F-SES-2060-F	505	19.25	57.69	0.5	12	0.32
F-SES-2062-F	525	19.25	59.69	0.5	12.4	0.33
F-SES-2063-F	525	19.25	60.69	0.5	12.6	0.34
F-SES-2064-F	549	19.25	61.69	0.5	12.8	0.34
F-SES-2065-F	549	19.25	62.69	0.5	13	0.35
F-SES-2066-F	549	19.25	63.69	0.5	13.2	0.35



What's Included:

Privacy screen (1), Horizontal rails (2), vertical retainers (2).

How to Specify:

Available in various heights and widths to provide specific workstation requirements

Privacy screens can be specified in sold laminate, whiteboard, fabric/tackboard, and frost acrylic.

Notes:

Privacy screen posts are 2-inches by 2-inches wide and are sold separately.

Options:

Height	6", 12", 14", 20"
Width	24", 30", 36", 42", 44", 45", 46", 48", 50", 51", 52", 53", 54", 56", 57", 58", 59", 60", 62", 63", 64", 65", 66", 68", 69", 70", 71", 72"
Screen material	S solid W whiteboard T fabric/tackboard F frost

How to Order and Read your Code:

F	SSS	12	60	F
product line	item	height	width	acrylic

Code	Price	H (in.)	W (in.)	D T (in.)	Weight (lb)	Volume (ft ³)
F-SSS-0624-S	55	5.38	22.97	0.5	2.88	0.04
F-SSS-0630-S	62	5.38	28.97	0.5	3.6	0.05
F-SSS-0636-S	72	5.38	34.97	0.5	4.32	0.05
F-SSS-0637-S	77	5.38	35.97	0.5	4.44	0.06
F-SSS-0637D-S	77	5.38	36.47	0.5	4.5	0.06
F-SSS-0638-S	77	5.38	36.97	0.5	4.56	0.06
F-SSS-0638D-S	77	5.38	37.47	0.5	4.62	0.06
F-SSS-0639-S	77	5.38	37.97	0.5	4.68	0.06
F-SSS-0640-S	82	5.38	38.97	0.5	4.8	0.06
F-SSS-0641-S	82	5.38	39.97	0.5	4.92	0.06
F-SSS-0641D-S	82	5.38	40.47	0.5	4.98	0.06
F-SSS-0642-S	82	5.38	40.97	0.5	5.04	0.06
F-SSS-0643-S	87	5.38	41.97	0.5	5.16	0.07
F-SSS-0644-S	87	5.38	42.97	0.5	5.28	0.07
F-SSS-0644D-S	87	5.38	43.47	0.5	5.34	0.07
F-SSS-0645-S	87	5.38	43.97	0.5	5.4	0.07
F-SSS-0648-S	94	5.38	46.97	0.5	5.76	0.07
F-SSS-0654-S	101	5.38	52.97	0.5	6.48	0.08
F-SSS-0660-S	114	5.38	58.97	0.5	7.2	0.09
F-SSS-0666-S	124	5.38	64.97	0.5	7.92	0.1

Code	Price	H (in.)	W (in.)	D 1 (in.)	Weight (lb)	Volume (ft ³)
F-SSS-1224-S	68	11.38	22.97	0.5	5.76	0.08
F-SSS-1230-S	81	11.38	28.97	0.5	7.2	0.1
F-SSS-1236-S	96	11.38	34.97	0.5	8.64	0.12
F-SSS-1237-S	101	11.38	35.97	0.5	8.88	0.12
F-SSS-1237D-S	101	11.38	36.47	0.5	9	0.12
F-SSS-1238-S	101	11.38	36.97	0.5	9.12	0.12
F-SSS-1238D-S	101	11.38	37.47	0.5	9.24	0.12
F-SSS-1239-S	101	11.38	37.97	0.5	9.36	0.12
F-SSS-1240-S	107	11.38	38.97	0.5	9.6	0.13
F-SSS-1241-S	107	11.38	39.97	0.5	9.84	0.13
F-SSS-1241D-S	107	11.38	40.47	0.5	9.96	0.13
F-SSS-1242-S	107	11.38	40.97	0.5	10.08	0.13
F-SSS-1243-S	116	11.38	41.97	0.5	10.32	0.14
F-SSS-1244-S	116	11.38	42.97	0.5	10.56	0.14
F-SSS-1244D-S	116	11.38	43.47	0.5	10.68	0.14
F-SSS-1245-S	116	11.38	43.97	0.5	10.8	0.14
F-SSS-1248-S	124	11.38	46.97	0.5	11.52	0.15
F-SSS-1254-S	136	11.38	52.97	0.5	12.96	0.17
F-SSS-1260-S	147	11.38	58.97	0.5	14.4	0.19
F-SSS-1266-S	161	11.38	64.97	0.5	15.84	0.21

Code	Price	H (in.)	W (in.)	D 1 (in.)	Weight (lb)	Volume (ft ³)
F-SSS-1424-S	72	13.25	22.97	0.5	6.72	0.09
F-SSS-1430-S	87	13.25	28.97	0.5	8.4	0.11
F-SSS-1434-S	101	13.25	32.97	0.5	10.08	0.13
F-SSS-1434D-S	102	13.25	33.47	0.5	10.08	0.13
F-SSS-1435-S	101	13.25	33.97	0.5	10.08	0.13
F-SSS-1435D-S	101	13.25	34.47	0.5	10.08	0.13
F-SSS-1436-S	101	13.25	34.97	0.5	10.08	0.13
F-SSS-1437-S	107	13.25	35.97	0.5	10.36	0.14
F-SSS-1437D-S	107	13.25	36.47	0.5	10.5	0.14
F-SSS-1438-S	107	13.25	36.97	0.5	10.64	0.14
F-SSS-1438D-S	107	13.25	37.47	0.5	10.78	0.14
F-SSS-1439-S	107	13.25	37.97	0.5	10.92	0.15
F-SSS-1440-S	117	13.25	38.97	0.5	11.2	0.15
F-SSS-1441-S	117	13.25	39.97	0.5	11.48	0.15
F-SSS-1441D-S	117	13.25	40.47	0.5	11.62	0.16
F-SSS-1442-S	117	13.25	40.97	0.5	11.76	0.16
F-SSS-1443-S	126	13.25	41.97	0.5	12.04	0.16
F-SSS-1444-S	126	13.25	42.97	0.5	12.32	0.16
F-SSS-1444D-S	126	13.25	43.47	0.5	12.46	0.17
F-SSS-1445-S	126	13.25	43.97	0.5	12.6	0.17
F-SSS-1448-S	132	13.25	46.97	0.5	13.44	0.18
F-SSS-1454-S	145	13.25	52.97	0.5	15.12	0.2
F-SSS-1460-S	160	13.25	58.97	0.5	16.8	0.23
F-SSS-1466-S	175	13.25	64.97	0.5	18.48	0.25

Code	Price	H (in.)	W (in.)	D 1 (in.)	Weight (lb)	Volume (ft ³)
F-SSS-2024-S	92	19.25	22.97	0.5	9.6	0.13
F-SSS-2030-S	104	19.25	28.97	0.5	12	0.16
F-SSS-2034-S	126	19.25	32.97	0.5	14.4	0.18
F-SSS-2034D-S	127	19.25	33.47	0.5	14.4	0.19
F-SSS-2035-S	126	19.25	33.97	0.5	14.4	0.19
F-SSS-2035D-S	126	19.25	34.47	0.5	14.4	0.19
F-SSS-2036-S	126	19.25	34.97	0.5	14.4	0.19
F-SSS-2037-S	133	19.25	35.97	0.5	14.8	0.2
F-SSS-2037D-S	133	19.25	36.47	0.5	15	0.2
F-SSS-2038-S	133	19.25	36.97	0.5	15.2	0.21
F-SSS-2038D-S	133	19.25	37.47	0.5	15.4	0.21
F-SSS-2039-S	133	19.25	37.97	0.5	15.6	0.21
F-SSS-2040-S	144	19.25	38.97	0.5	16	0.22
F-SSS-2041-S	144	19.25	39.97	0.5	16.4	0.22
F-SSS-2041D-S	144	19.25	40.47	0.5	16.6	0.23
F-SSS-2042-S	144	19.25	40.97	0.5	16.8	0.23
F-SSS-2043-S	149	19.25	41.97	0.5	17.2	0.23
F-SSS-2044-S	149	19.25	42.97	0.5	17.6	0.24
F-SSS-2044D-S	149	19.25	43.47	0.5	17.8	0.24
F-SSS-2045-S	149	19.25	43.97	0.5	18	0.24
F-SSS-2048-S	160	19.25	46.97	0.5	19.2	0.26
F-SSS-2054-S	178	19.25	52.97	0.5	21.6	0.3
F-SSS-2060-S	198	19.25	58.97	0.5	24	0.33
F-SSS-2066-S	217	19.25	64.97	0.5	26.4	0.36

Code	Price	H (in.)	W (in.)	D 1 (in.)	Weight (lb)	Volume (ft ³)
F-SSS-1224-W	149	11.38	22.97	0.5	6.4	0.08
F-SSS-1230-W	181	11.38	28.97	0.5	8	0.1
F-SSS-1236-W	217	11.38	34.97	0.5	9.6	0.12
F-SSS-1237-W	228	11.38	35.97	0.5	9.87	0.12
F-SSS-1237D-W	228	11.38	36.47	0.5	10	0.12
F-SSS-1238-W	228	11.38	36.97	0.5	10.14	0.12
F-SSS-1238D-W	228	11.38	37.47	0.5	10.27	0.12
F-SSS-1239-W	228	11.38	37.97	0.5	10.4	0.12
F-SSS-1240-W	247	11.38	38.97	0.5	10.67	0.13
F-SSS-1241-W	247	11.38	39.97	0.5	10.94	0.13
F-SSS-1241D-W	247	11.38	40.47	0.5	11.07	0.13
F-SSS-1242-W	247	11.38	40.97	0.5	11.2	0.13
F-SSS-1243-W	264	11.38	41.97	0.5	11.47	0.14
F-SSS-1244-W	264	11.38	42.97	0.5	11.73	0.14
F-SSS-1244D-W	264	11.38	43.47	0.5	11.87	0.14
F-SSS-1245-W	264	11.38	43.97	0.5	12	0.14
F-SSS-1248-W	281	11.38	46.97	0.5	12.8	0.15
F-SSS-1254-W	310	11.38	52.97	0.5	14.4	0.17
F-SSS-1260-W	348	11.38	58.97	0.5	16	0.19
F-SSS-1266-W	380	11.38	64.97	0.5	17.6	0.21

Code	Price	H (in.)	W (in.)	D 1 (in.)	Weight (lb)	Volume (ft ³)
F-SSS-1424-W	161	13.25	22.97	0.5	7.47	0.09
F-SSS-1430-W	202	13.25	28.97	0.5	9.33	0.11
F-SSS-1434-W	238	13.25	32.97	0.5	11.2	0.13
F-SSS-1434D-W	238	13.25	33.47	0.5	11.2	0.13
F-SSS-1435-W	238	13.25	33.97	0.5	11.2	0.13
F-SSS-1435D-W	238	13.25	34.47	0.5	11.2	0.13
F-SSS-1436-W	238	13.25	34.97	0.5	11.2	0.13
F-SSS-1437-W	256	13.25	35.97	0.5	11.51	0.14
F-SSS-1437D-W	256	13.25	36.47	0.5	11.67	0.14
F-SSS-1438-W	256	13.25	36.97	0.5	11.82	0.14
F-SSS-1438D-W	256	13.25	37.47	0.5	11.98	0.14
F-SSS-1439-W	256	13.25	37.97	0.5	12.13	0.15
F-SSS-1440-W	277	13.25	38.97	0.5	12.45	0.15
F-SSS-1441-W	277	13.25	39.97	0.5	12.76	0.15
F-SSS-1441D-W	277	13.25	40.47	0.5	12.91	0.16
F-SSS-1442-W	277	13.25	40.97	0.5	13.07	0.16
F-SSS-1443-W	296	13.25	41.97	0.5	13.38	0.16
F-SSS-1444-W	296	13.25	42.97	0.5	13.69	0.16
F-SSS-1444D-W	296	13.25	43.47	0.5	13.85	0.17
F-SSS-1445-W	296	13.25	43.97	0.5	14	0.17
F-SSS-1448-W	310	13.25	46.97	0.5	14.93	0.18
F-SSS-1454-W	349	13.25	52.97	0.5	16.8	0.2
F-SSS-1460-W	388	13.25	58.97	0.5	18.67	0.23
F-SSS-1466-W	425	13.25	64.97	0.5	20.53	0.25

Code	Price	H (in.)	W (in.)	D 1 (in.)	Weight (lb)	Volume (ft ³)
F-SSS-2024-W	218	19.25	22.97	0.5	10.67	0.13
F-SSS-2030-W	268	19.25	28.97	0.5	13.33	0.16
F-SSS-2034-W	315	19.25	32.97	0.5	16	0.18
F-SSS-2034D-W	318	19.25	33.47	0.5	16	0.19
F-SSS-2035-W	315	19.25	33.97	0.5	16	0.19
F-SSS-2035D-W	315	19.25	34.47	0.5	16	0.19
F-SSS-2036-W	315	19.25	34.97	0.5	16	0.19
F-SSS-2037-W	342	19.25	35.97	0.5	16.45	0.2
F-SSS-2037D-W	342	19.25	36.47	0.5	16.67	0.2
F-SSS-2038-W	342	19.25	36.97	0.5	16.89	0.21
F-SSS-2038D-W	342	19.25	37.47	0.5	17.11	0.21
F-SSS-2039-W	342	19.25	37.97	0.5	17.33	0.21
F-SSS-2040-W	370	19.25	38.97	0.5	17.78	0.22
F-SSS-2041-W	370	19.25	39.97	0.5	18.22	0.22
F-SSS-2041D-W	370	19.25	40.47	0.5	18.45	0.23
F-SSS-2042-W	370	19.25	40.97	0.5	18.67	0.23
F-SSS-2043-W	395	19.25	41.97	0.5	19.11	0.23
F-SSS-2044-W	395	19.25	42.97	0.5	19.56	0.24
F-SSS-2044D-W	395	19.25	43.47	0.5	19.78	0.24
F-SSS-2045-W	395	19.25	43.97	0.5	20	0.24
F-SSS-2048-W	420	19.25	46.97	0.5	21.33	0.26
F-SSS-2054-W	467	19.25	52.97	0.5	24	0.3
F-SSS-2060-W	520	19.25	58.97	0.5	26.67	0.33
F-SSS-2066-W	571	19.25	64.97	0.5	29.33	0.36

Code	Price	H (in.)	W (in.)	D 1 (in.)	Weight (lb)	Volume (ft ³)
F-SSS-0624-T	144	5.38	22.97	0.5	2.88	0.04
F-SSS-0630-T	174	5.38	28.97	0.5	3.6	0.05
F-SSS-0636-T	203	5.38	34.97	0.5	4.32	0.05
F-SSS-0637-T	220	5.38	35.97	0.5	4.44	0.06
F-SSS-0637D-T	220	5.38	36.47	0.5	4.5	0.06
F-SSS-0638-T	220	5.38	36.97	0.5	4.56	0.06
F-SSS-0638D-T	220	5.38	37.47	0.5	4.62	0.06
F-SSS-0639-T	220	5.38	37.97	0.5	4.68	0.06
F-SSS-0640-T	235	5.38	38.97	0.5	4.8	0.06
F-SSS-0641-T	235	5.38	39.97	0.5	4.92	0.06
F-SSS-0641D-T	235	5.38	40.47	0.5	4.98	0.06
F-SSS-0642-T	235	5.38	40.97	0.5	5.04	0.06
F-SSS-0643-T	247	5.38	41.97	0.5	5.16	0.07
F-SSS-0644-T	247	5.38	42.97	0.5	5.28	0.07
F-SSS-0644D-T	247	5.38	43.47	0.5	5.34	0.07
F-SSS-0645-T	247	5.38	43.97	0.5	5.4	0.07
F-SSS-0648-T	264	5.38	46.97	0.5	5.76	0.07
F-SSS-0654-T	295	5.38	52.97	0.5	6.48	0.08
F-SSS-0660-T	324	5.38	58.97	0.5	7.2	0.09
F-SSS-0666-T	354	5.38	64.97	0.5	7.92	0.1

Code	Price	H (in.)	W (in.)	D 1 (in.)	Weight (lb)	Volume (ft ³)
F-SSS-1224-T	217	11.38	22.97	0.5	5.76	0.08
F-SSS-1230-T	263	11.38	28.97	0.5	7.2	0.1
F-SSS-1236-T	308	11.38	34.97	0.5	8.64	0.12
F-SSS-1237-T	334	11.38	35.97	0.5	8.88	0.12
F-SSS-1237D-T	334	11.38	36.47	0.5	9	0.12
F-SSS-1238-T	334	11.38	36.97	0.5	9.12	0.12
F-SSS-1238D-T	334	11.38	37.47	0.5	9.24	0.12
F-SSS-1239-T	334	11.38	37.97	0.5	9.36	0.12
F-SSS-1240-T	354	11.38	38.97	0.5	9.6	0.13
F-SSS-1241-T	354	11.38	39.97	0.5	9.84	0.13
F-SSS-1241D-T	354	11.38	40.47	0.5	9.96	0.13
F-SSS-1242-T	354	11.38	40.97	0.5	10.08	0.13
F-SSS-1243-T	379	11.38	41.97	0.5	10.32	0.14
F-SSS-1244-T	379	11.38	42.97	0.5	10.56	0.14
F-SSS-1244D-T	379	11.38	43.47	0.5	10.68	0.14
F-SSS-1245-T	379	11.38	43.97	0.5	10.8	0.14
F-SSS-1248-T	402	11.38	46.97	0.5	11.52	0.15
F-SSS-1254-T	444	11.38	52.97	0.5	12.96	0.17
F-SSS-1260-T	491	11.38	58.97	0.5	14.4	0.19
F-SSS-1266-T	541	11.38	64.97	0.5	15.84	0.21

Code	Price	H (in.)	W (in.)	D 1 (in.)	Weight (lb)	Volume (ft ³)
F-SSS-1424-T	238	13.25	22.97	0.5	6.72	0.09
F-SSS-1430-T	293	13.25	28.97	0.5	8.4	0.11
F-SSS-1434-T	340	13.25	32.97	0.5	10.08	0.13
F-SSS-1434D-T	340	13.25	33.47	0.5	10.08	0.13
F-SSS-1435-T	340	13.25	33.97	0.5	10.08	0.13
F-SSS-1435D-T	340	13.25	34.47	0.5	10.08	0.13
F-SSS-1436-T	340	13.25	34.97	0.5	10.08	0.13
F-SSS-1437-T	368	13.25	35.97	0.5	10.36	0.14
F-SSS-1437D-T	368	13.25	36.47	0.5	10.5	0.14
F-SSS-1438-T	368	13.25	36.97	0.5	10.64	0.14
F-SSS-1438D-T	368	13.25	37.47	0.5	10.78	0.14
F-SSS-1439-T	368	13.25	37.97	0.5	10.92	0.15
F-SSS-1440-T	393	13.25	38.97	0.5	11.2	0.15
F-SSS-1441-T	393	13.25	39.97	0.5	11.48	0.15
F-SSS-1441D-T	393	13.25	40.47	0.5	11.62	0.16
F-SSS-1442-T	393	13.25	40.97	0.5	11.76	0.16
F-SSS-1443-T	420	13.25	41.97	0.5	12.04	0.16
F-SSS-1444-T	420	13.25	42.97	0.5	12.32	0.16
F-SSS-1444D-T	420	13.25	43.47	0.5	12.46	0.17
F-SSS-1445-T	420	13.25	43.97	0.5	12.6	0.17
F-SSS-1448-T	441	13.25	46.97	0.5	13.44	0.18
F-SSS-1454-T	496	13.25	52.97	0.5	15.12	0.2
F-SSS-1460-T	546	13.25	58.97	0.5	16.8	0.23
F-SSS-1466-T	598	13.25	64.97	0.5	18.48	0.25

Code	Price	H (in.)	W (in.)	D 1 (in.)	Weight (lb)	Volume (ft ³)
F-SSS-2024-T	310	19.25	22.97	0.5	9.6	0.13
F-SSS-2030-T	379	19.25	28.97	0.5	12	0.16
F-SSS-2034-T	444	19.25	32.97	0.5	14.4	0.18
F-SSS-2034D-T	448	19.25	33.47	0.5	14.4	0.19
F-SSS-2035-T	444	19.25	33.97	0.5	14.4	0.19
F-SSS-2035D-T	444	19.25	34.47	0.5	14.4	0.19
F-SSS-2036-T	444	19.25	34.97	0.5	14.4	0.19
F-SSS-2037-T	481	19.25	35.97	0.5	14.8	0.2
F-SSS-2037D-T	481	19.25	36.47	0.5	15	0.2
F-SSS-2038-T	481	19.25	36.97	0.5	15.2	0.21
F-SSS-2038D-T	481	19.25	37.47	0.5	15.4	0.21
F-SSS-2039-T	481	19.25	37.97	0.5	15.6	0.21
F-SSS-2040-T	514	19.25	38.97	0.5	16	0.22
F-SSS-2041-T	514	19.25	39.97	0.5	16.4	0.22
F-SSS-2041D-T	514	19.25	40.47	0.5	16.6	0.23
F-SSS-2042-T	514	19.25	40.97	0.5	16.8	0.23
F-SSS-2043-T	546	19.25	41.97	0.5	17.2	0.23
F-SSS-2044-T	546	19.25	42.97	0.5	17.6	0.24
F-SSS-2044D-T	546	19.25	43.47	0.5	17.8	0.24
F-SSS-2045-T	546	19.25	43.97	0.5	18	0.24
F-SSS-2048-T	581	19.25	46.97	0.5	19.2	0.26
F-SSS-2054-T	647	19.25	52.97	0.5	21.6	0.3
F-SSS-2060-T	716	19.25	58.97	0.5	24	0.33
F-SSS-2066-T	785	19.25	64.97	0.5	26.4	0.36

Code	Price	H (in.)	W (in.)	D 1 (in.)	Weight (lb)	Volume (ft ³)
F-SSS-0624-F	98	5.38	22.97	0.5	1.44	0.04
F-SSS-0630-F	120	5.38	28.97	0.5	1.8	0.05
F-SSS-0636-F	142	5.38	34.97	0.5	2.16	0.05
F-SSS-0637-F	149	5.38	35.97	0.5	2.22	0.06
F-SSS-0637D-F	149	5.38	36.47	0.5	2.25	0.06
F-SSS-0638-F	149	5.38	36.97	0.5	2.28	0.06
F-SSS-0638D-F	149	5.38	37.47	0.5	2.31	0.06
F-SSS-0639-F	149	5.38	37.97	0.5	2.34	0.06
F-SSS-0640-F	161	5.38	38.97	0.5	2.4	0.06
F-SSS-0641-F	161	5.38	39.97	0.5	2.46	0.06
F-SSS-0641D-F	161	5.38	40.47	0.5	2.49	0.06
F-SSS-0642-F	161	5.38	40.97	0.5	2.52	0.06
F-SSS-0643-F	173	5.38	41.97	0.5	2.58	0.07
F-SSS-0644-F	173	5.38	42.97	0.5	2.64	0.07
F-SSS-0644D-F	173	5.38	43.47	0.5	2.67	0.07
F-SSS-0645-F	173	5.38	43.97	0.5	2.7	0.07
F-SSS-0648-F	181	5.38	46.97	0.5	2.88	0.07
F-SSS-0654-F	203	5.38	52.97	0.5	3.24	0.08
F-SSS-0660-F	228	5.38	58.97	0.5	3.6	0.09
F-SSS-0666-F	246	5.38	64.97	0.5	3.96	0.1

Code	Price	H (in.)	W (in.)	D 1 (in.)	Weight (lb)	Volume (ft ³)
F-SSS-1224-F	146	11.38	22.97	0.5	2.88	0.08
F-SSS-1230-F	180	11.38	28.97	0.5	3.6	0.1
F-SSS-1236-F	216	11.38	34.97	0.5	4.32	0.12
F-SSS-1237-F	230	11.38	35.97	0.5	4.44	0.12
F-SSS-1237D-F	230	11.38	36.47	0.5	4.5	0.12
F-SSS-1238-F	230	11.38	36.97	0.5	4.56	0.12
F-SSS-1238D-F	230	11.38	37.47	0.5	4.62	0.12
F-SSS-1239-F	230	11.38	37.97	0.5	4.68	0.12
F-SSS-1240-F	246	11.38	38.97	0.5	4.8	0.13
F-SSS-1241-F	246	11.38	39.97	0.5	4.92	0.13
F-SSS-1241D-F	246	11.38	40.47	0.5	4.98	0.13
F-SSS-1242-F	246	11.38	40.97	0.5	5.04	0.13
F-SSS-1243-F	264	11.38	41.97	0.5	5.16	0.14
F-SSS-1244-F	264	11.38	42.97	0.5	5.28	0.14
F-SSS-1244D-F	264	11.38	43.47	0.5	5.34	0.14
F-SSS-1245-F	264	11.38	43.97	0.5	5.4	0.14
F-SSS-1248-F	278	11.38	46.97	0.5	5.76	0.15
F-SSS-1254-F	313	11.38	52.97	0.5	6.48	0.17
F-SSS-1260-F	344	11.38	58.97	0.5	7.2	0.19
F-SSS-1266-F	379	11.38	64.97	0.5	7.92	0.21

Code	Price	H (in.)	W (in.)	D 1 (in.)	Weight (lb)	Volume (ft ³)
F-SSS-1424-F	162	13.25	22.97	0.5	3.36	0.09
F-SSS-1430-F	199	13.25	28.97	0.5	4.2	0.11
F-SSS-1434-F	237	13.25	32.97	0.5	5.04	0.13
F-SSS-1434D-F	237	13.25	33.47	0.5	5.04	0.13
F-SSS-1435-F	237	13.25	33.97	0.5	5.04	0.13
F-SSS-1435D-F	237	13.25	34.47	0.5	5.04	0.13
F-SSS-1436-F	237	13.25	34.97	0.5	5.04	0.13
F-SSS-1437-F	251	13.25	35.97	0.5	5.18	0.14
F-SSS-1437D-F	251	13.25	36.47	0.5	5.25	0.14
F-SSS-1438-F	251	13.25	36.97	0.5	5.32	0.14
F-SSS-1438D-F	251	13.25	37.47	0.5	5.39	0.14
F-SSS-1439-F	251	13.25	37.97	0.5	5.46	0.15
F-SSS-1440-F	275	13.25	38.97	0.5	5.6	0.15
F-SSS-1441-F	275	13.25	39.97	0.5	5.74	0.15
F-SSS-1441D-F	275	13.25	40.47	0.5	5.81	0.16
F-SSS-1442-F	275	13.25	40.97	0.5	5.88	0.16
F-SSS-1443-F	294	13.25	41.97	0.5	6.02	0.16
F-SSS-1444-F	294	13.25	42.97	0.5	6.16	0.16
F-SSS-1444D-F	294	13.25	43.47	0.5	6.23	0.17
F-SSS-1445-F	294	13.25	43.97	0.5	6.3	0.17
F-SSS-1448-F	308	13.25	46.97	0.5	6.72	0.18
F-SSS-1454-F	346	13.25	52.97	0.5	7.56	0.2
F-SSS-1460-F	383	13.25	58.97	0.5	8.4	0.23
F-SSS-1466-F	421	13.25	64.97	0.5	9.24	0.25

Code	Price	H (in.)	W (in.)	D 1 (in.)	Weight (lb)	Volume (ft ³)
F-SSS-2024-F	216	19.25	22.97	0.5	4.8	0.13
F-SSS-2030-F	263	19.25	28.97	0.5	6	0.16
F-SSS-2034-F	308	19.25	32.97	0.5	7.2	0.18
F-SSS-2034D-F	310	19.25	33.47	0.5	7.2	0.19
F-SSS-2035-F	308	19.25	33.97	0.5	7.2	0.19
F-SSS-2035D-F	308	19.25	34.47	0.5	7.2	0.19
F-SSS-2036-F	308	19.25	34.97	0.5	7.2	0.19
F-SSS-2037-F	335	19.25	35.97	0.5	7.4	0.2
F-SSS-2037D-F	335	19.25	36.47	0.5	7.5	0.2
F-SSS-2038-F	335	19.25	36.97	0.5	7.6	0.21
F-SSS-2038D-F	335	19.25	37.47	0.5	7.7	0.21
F-SSS-2039-F	335	19.25	37.97	0.5	7.8	0.21
F-SSS-2040-F	360	19.25	38.97	0.5	8	0.22
F-SSS-2041-F	360	19.25	39.97	0.5	8.2	0.22
F-SSS-2041D-F	360	19.25	40.47	0.5	8.3	0.23
F-SSS-2042-F	360	19.25	40.97	0.5	8.4	0.23
F-SSS-2043-F	383	19.25	41.97	0.5	8.6	0.23
F-SSS-2044-F	383	19.25	42.97	0.5	8.8	0.24
F-SSS-2044D-F	383	19.25	43.47	0.5	8.9	0.24
F-SSS-2045-F	383	19.25	43.97	0.5	9	0.24
F-SSS-2048-F	409	19.25	46.97	0.5	9.6	0.26
F-SSS-2054-F	456	19.25	52.97	0.5	10.8	0.3
F-SSS-2060-F	505	19.25	58.97	0.5	12	0.33
F-SSS-2066-F	549	19.25	64.97	0.5	13.2	0.36

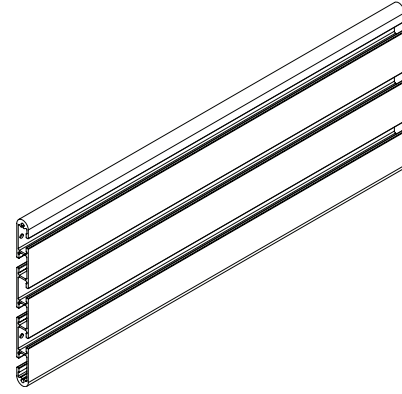


Scene Pricebook
January 2026

Screen Components

screen components

<u>accessories rail - end to end</u>	216
<u>accessories rail - end to share</u>	218
<u>post</u>	220



What's Included:

Accessory rail (1).

How to Specify:

Accessory rail is 8" in height.

Refer to metal paint card for metal paint colors.

Options:

Width 24", 30", 36", 37", 38", 39", 40", 41", 42", 43", 44", 45", 46", 48", 50", 51", 52", 53", 54", 56", 57", 58", 59", 60", 63", 64", 65", 66", 68", 69", 70", 71", 72"

Accessories rail color Refer to metal paint card for metal paint colors.

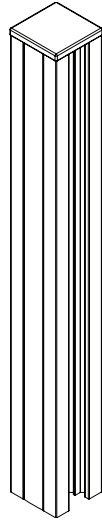
How to Order and Read your Code:

F	SEE	08	57
product line	item	height	width

Code	Price	H (in.)	W (in.)	D T (in.)	Weight (lb)	Volume (ft ³)
F-SEE-0824	136	7.85	20.44	0.5	3.84	0.05
F-SEE-0830	158	7.85	26.44	0.5	4.8	0.06
F-SEE-0836	181	7.85	32.44	0.5	5.76	0.07
F-SEE-0842	206	7.85	38.44	0.5	6.72	0.09
F-SEE-0844	220	7.85	40.44	0.5	7.04	0.09
F-SEE-0845	220	7.85	41.44	0.5	7.2	0.09
F-SEE-0846	230	7.85	42.44	0.5	7.36	0.1
F-SEE-0848	230	7.85	44.44	0.5	7.68	0.1
F-SEE-0850	243	7.85	46.44	0.5	8	0.11
F-SEE-0851	243	7.85	47.44	0.5	8.16	0.11
F-SEE-0852	251	7.85	48.44	0.5	8.32	0.11
F-SEE-0853	251	7.85	49.44	0.5	8.48	0.11
F-SEE-0854	251	7.85	50.44	0.5	8.64	0.11
F-SEE-0856	265	7.85	52.44	0.5	8.96	0.12
F-SEE-0857	265	7.85	53.44	0.5	9.12	0.12
F-SEE-0858	278	7.85	54.44	0.5	9.28	0.12
F-SEE-0859	278	7.85	55.44	0.5	9.44	0.13
F-SEE-0860	278	7.85	56.44	0.5	9.6	0.13
F-SEE-0862	293	7.85	58.44	0.5	9.92	0.13
F-SEE-0863	293	7.85	59.44	0.5	10.08	0.14
F-SEE-0864	302	7.85	60.44	0.5	10.24	0.14
F-SEE-0865	302	7.85	61.44	0.5	10.4	0.14
F-SEE-0866	302	7.85	62.44	0.5	10.56	0.14
F-SEE-0868	303	7.85	64.44	0.5	10.88	0.15
F-SEE-0869	303	7.85	65.44	0.5	11.04	0.15
F-SEE-0870	312	7.85	66.44	0.5	11.2	0.15
F-SEE-0871	312	7.85	67.44	0.5	11.36	0.15
F-SEE-0872	312	7.85	68.44	0.5	11.52	0.16

Code	Price	H (in.)	W (in.)	D 1 (in.)	Weight (lb)	Volume (ft ³)
F-SES-0824	136	7.85	21.69	0.5	3.84	0.05
F-SES-0830	158	7.85	27.69	0.5	4.8	0.06
F-SES-0836	181	7.85	33.69	0.5	5.76	0.08
F-SES-0837	194	7.85	34.69	0.5	5.92	0.08
F-SES-0837D	194	7.85	35.19	0.5	6	0.08
F-SES-0838	194	7.85	35.69	0.5	6.08	0.08
F-SES-0838D	194	7.85	36.19	0.5	6.16	0.08
F-SES-0839	194	7.85	36.69	0.5	6.24	0.08
F-SES-0840	206	7.85	37.69	0.5	6.4	0.09
F-SES-0841	206	7.85	38.69	0.5	6.56	0.09
F-SES-0841D	206	7.85	39.19	0.5	6.64	0.09
F-SES-0842	206	7.85	39.69	0.5	6.72	0.09
F-SES-0843	220	7.85	40.69	0.5	6.88	0.09
F-SES-0844	220	7.85	41.69	0.5	7.04	0.09
F-SES-0844D	220	7.85	42.19	0.5	7.12	0.1
F-SES-0845	220	7.85	42.69	0.5	7.2	0.1
F-SES-0846	230	7.85	43.69	0.5	7.36	0.1
F-SES-0848	230	7.85	45.69	0.5	7.68	0.1
F-SES-0850	243	7.85	47.69	0.5	8	0.11
F-SES-0851	243	7.85	48.69	0.5	8.16	0.11
F-SES-0852	251	7.85	49.69	0.5	8.32	0.11
F-SES-0853	251	7.85	50.69	0.5	8.48	0.12
F-SES-0854	251	7.85	51.69	0.5	8.64	0.12
F-SES-0856	265	7.85	53.69	0.5	8.96	0.12
F-SES-0857	265	7.85	54.69	0.5	9.12	0.12
F-SES-0858	278	7.85	55.69	0.5	9.28	0.13
F-SES-0859	278	7.85	56.69	0.5	9.44	0.13
F-SES-0860	278	7.85	57.69	0.5	9.6	0.13
F-SES-0862	293	7.85	59.69	0.5	9.92	0.14
F-SES-0863	293	7.85	60.69	0.5	10.08	0.14
F-SES-0864	302	7.85	61.69	0.5	10.24	0.14
F-SES-0865	302	7.85	62.69	0.5	10.4	0.14
F-SES-0866	302	7.85	63.69	0.5	10.56	0.14
F-SES-0868	303	7.85	65.69	0.5	10.88	0.15
F-SES-0869	303	7.85	66.69	0.5	11.04	0.15
F-SES-0870	312	7.85	67.69	0.5	11.2	0.15
F-SES-0871	312	7.85	68.69	0.5	11.36	0.16
F-SES-0872	312	7.85	69.69	0.5	11.52	0.16

Code	Price	H (in.)	W (in.)	D 1 (in.)	Weight (lb)	Volume (ft ³)
F-SSS-0824	136	7.85	22.97	0.5	3.84	0.05
F-SSS-0830	158	7.85	28.97	0.5	4.8	0.07
F-SSS-0836	181	7.85	34.97	0.5	5.76	0.08
F-SSS-0837	194	7.85	35.97	0.5	5.92	0.08
F-SSS-0837D	194	7.85	36.47	0.5	6	0.08
F-SSS-0838	194	7.85	36.97	0.5	6.08	0.08
F-SSS-0838D	194	7.85	37.47	0.5	6.16	0.09
F-SSS-0839	194	7.85	37.97	0.5	6.24	0.09
F-SSS-0840	206	7.85	38.97	0.5	6.4	0.09
F-SSS-0841	206	7.85	39.97	0.5	6.56	0.09
F-SSS-0841D	206	7.85	40.47	0.5	6.64	0.09
F-SSS-0842	206	7.85	40.97	0.5	6.72	0.09
F-SSS-0843	220	7.85	41.97	0.5	6.88	0.1
F-SSS-0844	220	7.85	42.97	0.5	7.04	0.1
F-SSS-0844D	220	7.85	43.47	0.5	7.12	0.1
F-SSS-0845	220	7.85	43.97	0.5	7.2	0.1
F-SSS-0848	230	7.85	46.97	0.5	7.68	0.11
F-SSS-0854	251	7.85	52.97	0.5	8.64	0.12
F-SSS-0860	278	7.85	58.97	0.5	9.6	0.13
F-SSS-0866	302	7.85	64.97	0.5	10.56	0.15
F-SSS-0872	312	7.85	70.97	0.5	11.52	0.16



What's Included:

Screen post (1), a top cap (1) and three channel inserts (3).

How to Specify:

Available in 14" & 20" heights.

Screen post is finished in silver, white or black powder coat.

Options:

Width 14", 20"

Post color **P112** silver **P121** white **P114** black

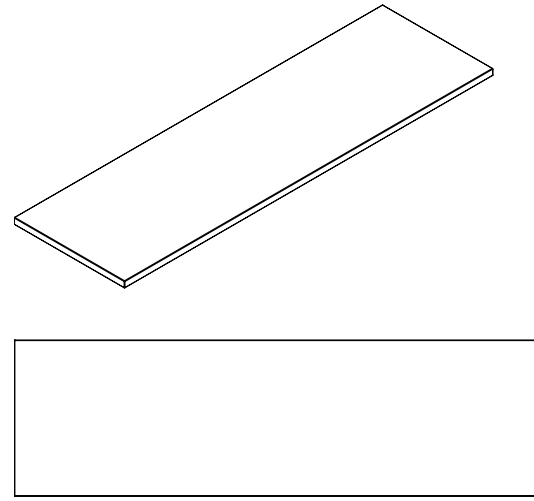
Code	Price	H (in.)	W (in.)	D 1 (in.)	Weight (lb)	Volume (ft ³)
F-PS-14	86	13.5	1.54	1.54	1	0.02
F-PS-20	98	19.5	1.54	1.54	1.85	0.03



Scene Pricebook
January 2026
Supports

supports

<u>spacer</u>	224
<u>end gable</u>	226
<u>flag storage gable</u>	227
<u>center gable</u>	228
<u>single support leg</u>	229
<u>low credenza support</u>	230
<u>mending plate</u>	231



What's Included:

Spacer (1).

How to Specify:

Edge color will default to match the surface color of the worksurface unless otherwise specified.

Notes:

Spacer is 1-inch thick.

All spacers have 2mm vinyl edge trim.

Low pressure laminate is available on the top surface of a spacer

Options:

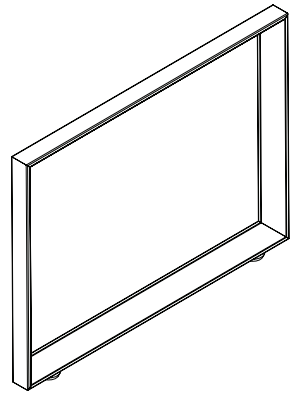
Width 12", 18", 24", 30", 36", 42", 48", 54", 60", 66", 72", 78", 84", 90", 96"

Depth 18"

How to Order and Read your Code:

F **SS** **60**
 product line item width

Code	Price	H (in.)	W (in.)	D 1 (in.)	Weight (lb)	Volume (ft ³)
F-SS-1218	66	1	12	18	4.32	0.13
F-SS-1818	92	1	18	18	6.48	0.19
F-SS-2418	114	1	24	18	8.64	0.25
F-SS-3018	136	1	30	18	10.8	0.31
F-SS-3618	160	1	36	18	12.96	0.38
F-SS-4218	183	1	42	18	15.12	0.44
F-SS-4818	206	1	48	18	17.28	0.5
F-SS-5418	233	1	54	18	19.44	0.56
F-SS-6018	251	1	60	18	21.6	0.63
F-SS-6618	278	1	66	18	23.76	0.69
F-SS-7218	302	1	72	18	25.92	0.75
F-SS-7818	326	1	78	18	28.08	0.81
F-SS-8418	349	1	84	18	30.24	0.88
F-SS-9018	374	1	90	18	32.4	0.94
F-SS-9618	398	1	96	18	34.56	1



What's Included:

End gable (1) and two levelers (2).

How to Specify:

Specify the width of the end gable to be the same as the depth of the worksurface being supported.

Refer to metal paint card for metal paint colors..

Options:

Width 24", 30", 36", 42", 48", 60"

Gable color Refer to metal paint card for metal paint colors.

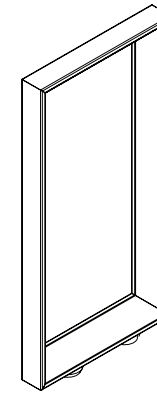
Notes:

Used at the end of a worksurface run for support.

Two levelers with a leveling range of 2.5-inches are included.

Supports a worksurface at a height of 28".

Code	Price	H (in.)	W (in.)	D 1 (in.)	Weight (lb)	Volume (ft ³)
F-HOEG-2824	361	27.28	23.43	1.53	13.44	0.57
F-HOEG-2830	396	27.28	29.53	1.53	16.8	0.71
F-HOEG-2836	427	27.28	35.43	1.53	20.16	0.86
F-HOEG-2842	472	27.28	41.54	1.53	23.52	1
F-HOEG-2848	513	27.28	47.64	1.53	26.88	1.15
F-HOEG-2860	570	27.28	59.45	1.53	33.6	1.44



What's Included:

End gable (1) and two levelers (2).

How to Specify:

Refer to metal paint card for metal paint colors.

Options:

Leg Color Refer to metal paint card for metal paint colors.

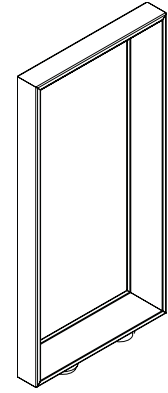
Notes:

Used at the end of a flag storage for support of the flag storage cabinet.

Two levelers with a leveling range of 2.5-inches are included.

Supports a flag storage at a height of 29".

Code	Price	H (in.)	W (in.)	D 1 (in.)	Weight (lb)	Volume (ft ³)
F-HFSS-2914	310	28.27	13.58	1.53	7.84	0.34



What's Included:

Center gable (1) and two levelers (2).

How to Specify:

Specify the width of the center gable to be the same as the depth of the worksurface being supported.

Refer to metal paint card for metal paint colors..

Options:

Width 12", 24", 30", 36", 48", 60"

Leg Color Refer to metal paint card for metal paint colors.

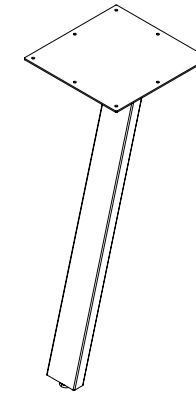
Notes:

Used as a shared support for worksurfaces in the middle of a worksurface run.

Two levelers with a leveling range of 2.5-inches are included.

Supports a worksurface at a height of 28".

Code	Price	H (in.)	W (in.)	D 1 (in.)	Weight (lb)	Volume (ft ³)
F-HOCG-2812	267	27.28	11.61	1.53	20.6	0.28
F-HOCG-2824	295	27.28	23.42	1.53	33.6	0.57
F-HOCG-2830	315	27.28	29.53	1.53	40.32	0.72
F-HOCG-2836	393	27.28	35.43	1.53	46.6	0.86
F-HOCG-2848	509	27.28	47.44	1.53	55	1



What's Included:

Single support leg (1), a leveler (1) and fastners.

How to Specify:

Refer to metal paint card for metal paint colors.

Options:

Leg Color Refer to metal paint card for metal paint colors.

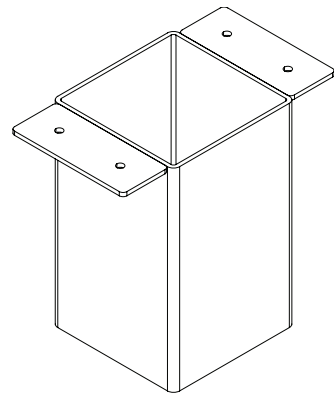
Notes:

Used to support one end of a worksurfaces where the other end is supported by a high credenza or end gable.

One levelers with a leveling range of 2.5-inches are included.

Supports a worksurface at a height of 28"

Code	Price	H (in.)	W (in.)	D 1 (in.)	Weight (lb)	Volume (ft ³)
F-HSSP-28	324	27.9	10	12	6	1.94



What's Included:

Low credenza support (1), and fasteners (4).

How to Specify:

Refer to metal paint card for metal paint colors.

Options:

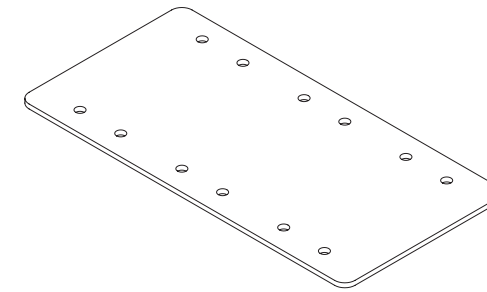
Leg Color Refer to metal paint card for metal paint colors.

Notes:

Mounted directly to the underside of the worksurface.

Supports a worksurface at a height of 28".

Code	Price	H (in.)	W (in.)	D 1 (in.)	Weight (lb)	Volume (ft ³)
F-HCFM	206	6.38	7	4	6	0.1



What's Included:

Mending plate (1)

How to Specify:

Mending plate is finished in silver powder coat.

Options:

Leg Color **P112** silver

Notes:

Mounted directly to the underside of two worksurface.

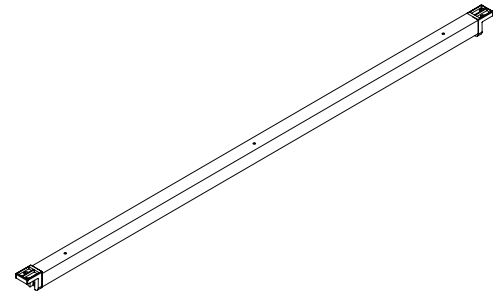
Code	Price	H (in.)	W (in.)	D 1 (in.)	Weight (lb)	Volume (ft ³)
F-PWW	49	5.5	3	0.13	1	0.01



Scene Pricebook
January 2026
**Reinforcement
Bars**

reinforcement bars

<u>end to end</u>	234
<u>end to share</u>	236
<u>share to share</u>	238
<u>end to no connector</u>	240
<u>share to no connector</u>	242
<u>no connector</u>	244



What's Included:

Reinforcement bar (1), two end brackets (2) and fasteners (2).

How to Specify:

Length of the reinforcement bar is referred to as the width to correspond to the worksurface.

Specify the width of the reinforcement bar to be the same as the width of worksurface being supported.

Refer to metal paint card for metal paint colors.

Notes:

Mounted directly to an end gable.

Options:

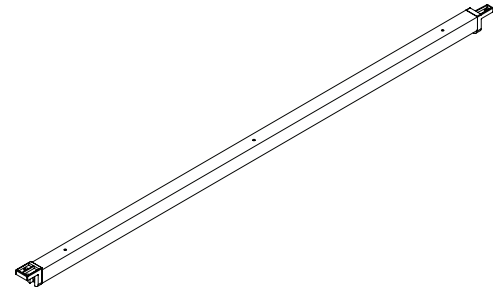
Width 36", 42", 48", 54", 60", 66", 72", 78", 84", 90", 96"

Color Refer to metal paint card for metal paint colors.

How to Order and Read your Code:

F **HRB-EE** **72**
product line item width

Code	Price	H (in.)	W (in.)	D 1 (in.)	Weight (lb)	Volume (ft ³)
F-HRB-EE-36	229	2.44	33.79	1.57	7.2	0.06
F-HRB-EE-42	242	2.44	39.79	1.57	8.4	0.07
F-HRB-EE-48	251	2.44	45.79	1.57	9.6	0.08
F-HRB-EE-54	267	2.44	51.79	1.57	10.8	0.09
F-HRB-EE-60	278	2.44	57.79	1.57	12	0.11
F-HRB-EE-66	294	2.44	63.79	1.57	13.2	0.12
F-HRB-EE-72	304	2.44	69.79	1.57	14.4	0.13
F-HRB-EE-78	319	2.44	75.79	1.57	15.6	0.14
F-HRB-EE-84	334	2.44	81.79	1.57	16.8	0.15
F-HRB-EE-90	344	2.44	87.79	1.57	18	0.16
F-HRB-EE-96	360	2.44	93.79	1.57	19.2	0.17



What's Included:

Reinforcement bar (1), one end bracket (1), one share bracket (1) and fasteners (2).

How to Specify:

Length of the reinforcement bar is referred to as the width to correspond to the worksurface.

Specify the width of the reinforcement bar to be the same as the width of worksurface being supported.

Refer to metal paint card for metal paint colors.

Options:

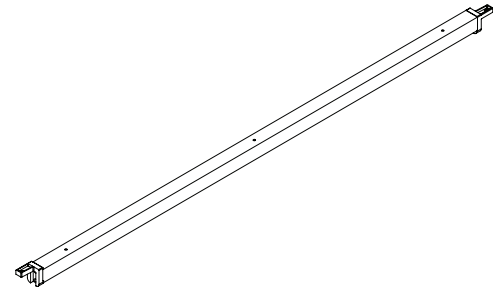
Width 36", 42", 48", 54", 60", 66", 72", 78", 84", 90", 96"

Color Refer to metal paint card for metal paint colors.

Notes:

Mounted directly to an end gable and a center gable.

Code	Price	H (in.)	W (in.)	D 1 (in.)	Weight (lb)	Volume (ft ³)
F-HRB-ES-36	233	2.44	35.35	1.57	7.2	0.06
F-HRB-ES-42	244	2.44	41.35	1.57	8.4	0.08
F-HRB-ES-48	253	2.44	47.35	1.57	9.6	0.09
F-HRB-ES-54	270	2.44	53.35	1.57	10.8	0.1
F-HRB-ES-60	280	2.44	59.35	1.57	12	0.11
F-HRB-ES-66	296	2.44	65.35	1.57	13.2	0.12
F-HRB-ES-72	308	2.44	71.35	1.57	14.4	0.13
F-HRB-ES-78	322	2.44	77.35	1.57	15.6	0.14
F-HRB-ES-84	336	2.44	83.35	1.57	16.8	0.15
F-HRB-ES-90	348	2.44	89.35	1.57	18	0.16
F-HRB-ES-96	361	2.44	95.35	1.57	19.2	0.17



What's Included:

Reinforcement bar (1), two share brackets (2) and fasteners (2).

How to Specify:

Length of the reinforcement bar is referred to as the width to correspond to the worksurface.

Specify the width of the reinforcement bar to be the same as the width of worksurface being supported.

Refer to metal paint card for metal paint colors.

Notes:

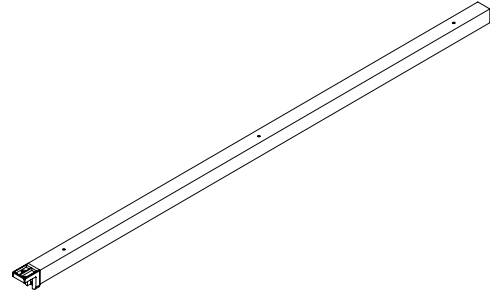
Mounted directly to two center gables.

Options:

Width 36", 42", 48", 54", 60", 66", 72", 78", 84", 90", 96"

Color Refer to metal paint card for metal paint colors.

Code	Price	H (in.)	W (in.)	D 1 (in.)	Weight (lb)	Volume (ft ³)
F-HRB-SS-36	237	2.44	36.91	1.57	7.2	0.07
F-HRB-SS-42	246	2.44	42.91	1.57	8.4	0.08
F-HRB-SS-48	262	2.44	48.91	1.57	9.6	0.09
F-HRB-SS-54	275	2.44	54.91	1.57	10.8	0.1
F-HRB-SS-60	287	2.44	60.91	1.57	12	0.11
F-HRB-SS-66	301	2.44	66.91	1.57	13.2	0.12
F-HRB-SS-72	313	2.44	72.91	1.57	14.4	0.13
F-HRB-SS-78	326	2.44	78.91	1.57	15.6	0.14
F-HRB-SS-84	339	2.44	84.91	1.57	16.8	0.15
F-HRB-SS-90	349	2.44	90.91	1.57	18	0.17
F-HRB-SS-96	363	2.44	96.91	1.57	19.2	0.18



What's Included:

Reinforcement bar (1), one end bracket (1), one end cap (1) and fasteners (2).

How to Specify:

Length of the reinforcement bar is referred to as the width to correspond to the worksurface.

Specify the width of the reinforcement bar to be the same as the width of worksurface being supported.

Refer to metal paint card for metal paint colors.

Options:

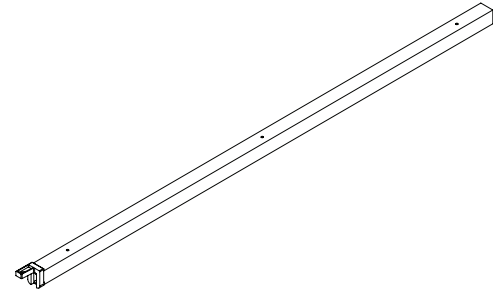
Width 24", 30", 36", 42", 48", 54", 60", 66", 72", 78", 84", 90", 96"

Color Refer to metal paint card for metal paint colors.

Notes:

Mounted directly to an end gable.

Code	Price	H (in.)	W (in.)	D 1 (in.)	Weight (lb)	Volume (ft ³)
F-HRB-EN-24	122	2.44	24	1.57	4.8	0.05
F-HRB-EN-30	133	2.44	30	1.57	6	0.06
F-HRB-EN-36	146	2.44	36	1.57	7.2	0.07
F-HRB-EN-42	160	2.44	42	1.57	8.4	0.08
F-HRB-EN-48	173	2.44	48	1.57	9.6	0.09
F-HRB-EN-54	183	2.44	54	1.57	10.8	0.1
F-HRB-EN-60	198	2.44	60	1.57	12	0.11
F-HRB-EN-66	213	2.44	66	1.57	13.2	0.12
F-HRB-EN-72	225	2.44	72	1.57	14.4	0.13
F-HRB-EN-78	238	2.44	78	1.57	15.6	0.14
F-HRB-EN-84	249	2.44	84	1.57	16.8	0.15
F-HRB-EN-90	264	2.44	90	1.57	18	0.17
F-HRB-EN-96	276	2.44	96	1.57	19.2	0.18



What's Included:

Reinforcement bar (1), one share bracket (1), one end cap (1) and fasteners (2).

How to Specify:

Length of the reinforcement bar is referred to as the width to correspond to the worksurface.

Specify the width of the reinforcement bar to be the same as the width of worksurface being supported.

Refer to metal paint card for metal paint colors..

Options:

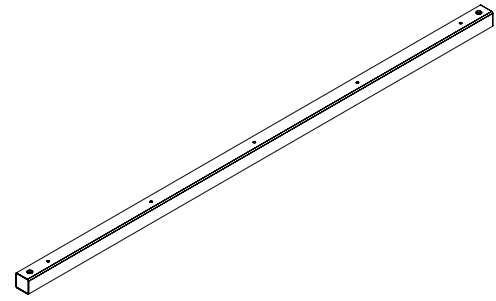
Width 36", 42", 48", 54", 60", 66", 72", 78", 84", 90", 96"

Color Refer to metal paint card for metal paint colors.

Notes:

Mounted directly to a center gable.

Code	Price	H (in.)	W (in.)	D 1 (in.)	Weight (lb)	Volume (ft ³)
F-HRB-SN-36	146	2.44	36.91	1.57	7.2	0.07
F-HRB-SN-42	160	2.44	42.91	1.57	8.4	0.08
F-HRB-SN-48	173	2.44	48.91	1.57	9.6	0.09
F-HRB-SN-54	183	2.44	54.91	1.57	10.8	0.1
F-HRB-SN-60	198	2.44	60.91	1.57	12	0.11
F-HRB-SN-66	213	2.44	66.91	1.57	13.2	0.12
F-HRB-SN-72	225	2.44	72.91	1.57	14.4	0.13
F-HRB-SN-78	238	2.44	78.91	1.57	15.6	0.14
F-HRB-SN-84	249	2.44	84.91	1.57	16.8	0.15
F-HRB-SN-90	264	2.44	90.91	1.57	18	0.17
F-HRB-SN-96	276	2.44	96.91	1.57	19.2	0.18



What's Included:

Reinforcement bar (1), two end caps (2) and fasteners (2).

How to Specify:

Length of the reinforcement bar is referred to as the width to correspond to the worksurface.

Specify the width of the reinforcement bar to be the same as the width of worksurface being supported.

Refer to metal paint card for metal paint colors..

Options:

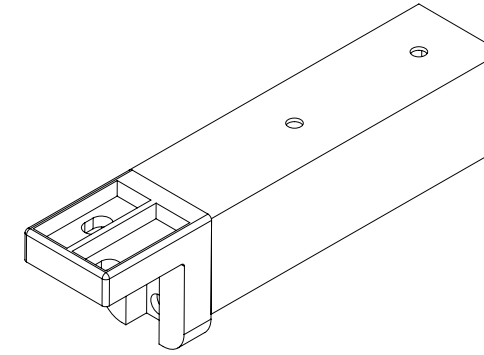
Width 48", 54", 60", 66", 72"

Color Refer to metal paint card for metal paint colors.

Notes:

Mounted directly to a worksurface.

Code	Price	H (in.)	W (in.)	D 1 (in.)	Weight (lb)	Volume (ft ³)
F-HRB-NN-48	104	2.44	48	1.57	9.6	0.09
F-HRB-NN-54	120	2.44	54	1.57	10.8	0.1
F-HRB-NN-60	132	2.44	60	1.57	12	0.11
F-HRB-NN-66	145	2.44	66	1.57	13.2	0.12
F-HRB-NN-72	158	2.44	72	1.57	14.4	0.13



What's Included:

Short reinforcement bar (1), one end bracket (1), one end cap (1) and fasteners (2).

How to Specify:

Refer to metal paint card for metal paint colors.

Notes:

Mounted directly to a flag storage gable.

Options:

Color Refer to metal paint card for metal paint colors.

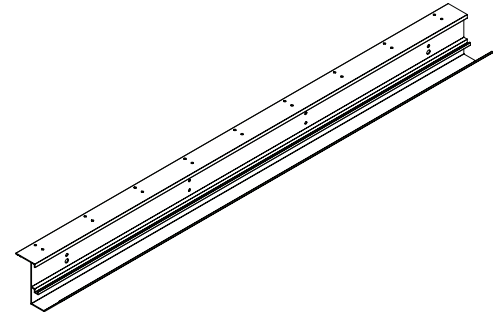
Code	Price	H (in.)	W (in.)	D 1 (in.)	Weight (lb)	Volume (ft ³)
F-HRB-SB	122	1.5	7.51	1.5	1.81	0.01



Scene Pricebook
January 2026
Electrics

electrics

<u>wire management trough</u>	248
<u>trough mounted power box</u>	250
<u>electrical splitter harness</u>	252
<u>connector harness (female to female)</u>	254
<u>connector harness (female to female) continued</u>	256
<u>connector harness (female to male)</u>	257
<u>power pole</u>	258
<u>power pole bracket</u>	259
<u>under worksurface mounted wire manager</u>	260
<u>task light</u>	261
<u>pop-up grommet</u>	262



What's Included:

Wire management trough (1), and fasteners (2).

How to Specify:

Length of the wire management trough is referred to as the width to correspond to the worksurface.

Specify the width of the wire management trough to the same or less than the width of the worksurface.

Available in the same nominal widths as the worksurface, but is actually shorter to accommodate worksurface supports.

Notes:

Wire management trough is 4.375-inches high and 5.375-inches deep.

Trough mounted power and/or communication box can be mounted to the wire management trough when power and/or communication access is required below the worksurface.

Facilitates lay-in cable management below the worksurface.

Options:

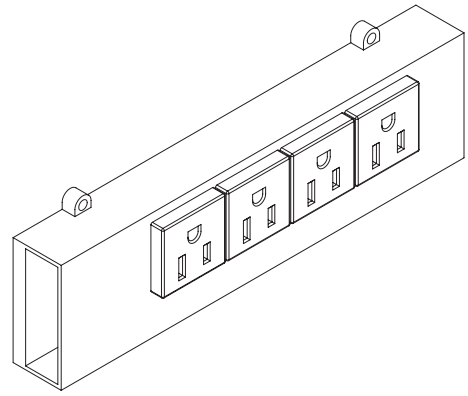
Width 36", 42", 48", 54", 60", 66", 72", 78", 84", 90", 96"

Leg color Refer to metal paint card for metal paint colors.

How to Order and Read your Code:

F **EWHT** **36**
 product line item width

Code	Price	H (in.)	W (in.)	D 1 (in.)	Weight (lb)	Volume (ft ³)
F-EWHT-36	141	4.41	28	5.38	3.6	0.38
F-EWHT-42	156	4.41	34	5.38	4.2	0.46
F-EWHT-48	173	4.41	40	5.38	4.8	0.54
F-EWHT-54	187	4.41	46	5.38	5.4	0.63
F-EWHT-60	204	4.41	52	5.38	6	0.71
F-EWHT-66	223	4.41	58	5.38	6.6	0.79
F-EWHT-72	239	4.41	64	5.38	7.2	0.87
F-EWHT-78	253	4.41	70	5.38	7.8	0.95
F-EWHT-84	275	4.41	76	5.38	8.4	1.03
F-EWHT-90	293	4.41	82	5.38	9	1.12
F-EWHT-96	307	4.41	88	5.38	9.6	1.2



What's Included:

Trough mounted power box (1), and removable fasteners (2).

How to Specify:

Specify electrical harnesses separately.
Available in grey plastic only.

Options:

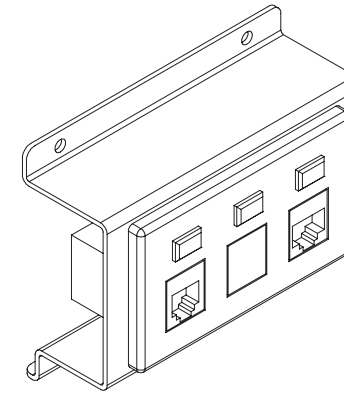
output national code

Notes:

Mounted to the worksurface wire management trough when power access is required below the worksurface.

Equipped with an 8-wire, 4-circuit electrical configuration (four electrical receptacles).

Code	Price	H (in.)	W (in.)	D 1 (in.)	Weight (lb)	Volume (ft ³)
F-EM84-T	233	2.88	8.38	1.25	0.6	0.02



What's Included:

Trough mounted data box (1), and removable fasteners (2).

How to Specify:

Specify communication cables separately.
Refer to metal paint card for metal paint colors.
Interface with communication receptacles is grey only.

Notes:

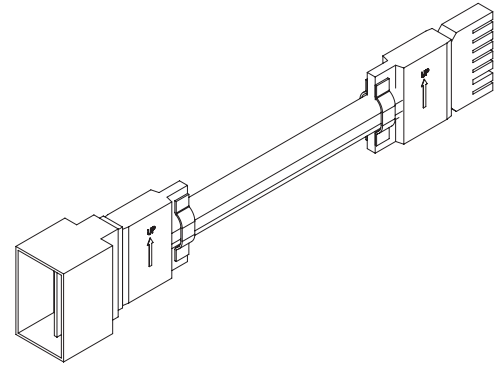
Mounted to the worksurface wire management trough when communication access is required below the worksurface.

Equipped with one RJ11 outlet, one RJ45 outlet, and a spare opening.

Options:

Output 11/45 **K3** 11/11/45 **K6** 11/45/45
Data box color Refer to metal paint card for metal paint colors.

Code	Price	H (in.)	W (in.)	D 1 (in.)	Weight (lb)	Volume (ft ³)
F-EC-T	235	2.88	3.75	1.5	0.6	0.02
F-EC-T-K3	334	2.88	3.75	1.5	0.6	0.02
F-EC-T-K6	262	2.88	3.75	1.5	0.6	0.02



What's Included:

Electrical splitter harness (1).

How to Specify:

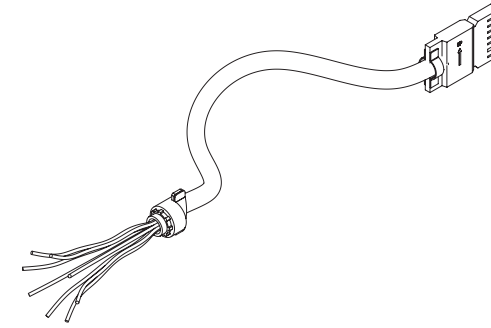
Refer to local codes for limits or restrictions on harness length.

Notes:

A qualified electrician must perform the connection to the building power supply.

Equipped with one male end that fits into the female end of a power box while the other end has two female ends..

Code	Price	W (in.)	Weight (lb)	Volume (ft ³)
F-EX84-12	147	12	0.9	0.5



What's Included:

Electrical starter harness (1).

How to Specify:

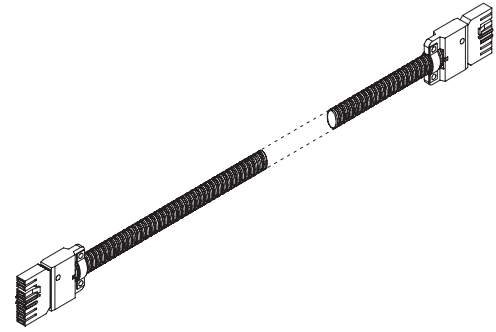
Refer to local codes for limits or restrictions on harness length.

Notes:

A qualified electrician must perform the connection to the building power supply.

Equipped with one male end that fits into the female end of a power box while the other end is meant to be hard wired to a building's power supply.

Code	Price	W (in.)	Weight (lb)	Volume (ft ³)
F-ES84-072	387	72	2.48	2.96
F-ES84-168	659	168	5.12	4.59



What's Included:

Connector harness (1).

How to Specify:

Refer to local codes for limits or restrictions on harness length.

Options:

Width 22", 25", 28", 31", 34", 37", 40", 43", 46", 49", 52", 55", 58", 61", 64", 67", 70", 73", 76", 79", 82", 85", 88", 91", 94", 97", 100", 103", 106", 109", 112", 115", 118", 121", 124", 127", 130", 133", 136", 139", 142", 145", 148", 151", 154", 157", 160", 163", 166", 169", 172", 175", 178", 181"

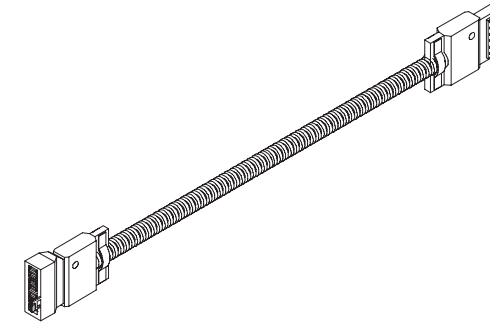
Notes:

A qualified electrician must perform the connection to the building power supply.

Equipped with two female ends.

Code	Price	W (in.)	Weight (lb)	Volume (ft ³)
F-EH-22	225	22	0.7	0
F-EH-25	233	25	0.8	0
F-EH-28	239	28	0.9	0
F-EH-31	246	31	1	0
F-EH-34	251	34	1.1	0
F-EH-37	265	37	1.2	0
F-EH-40	274	40	1.3	0
F-EH-43	279	43	1.4	0
F-EH-46	293	46	1.5	0
F-EH-49	298	49	1.6	0
F-EH-52	307	52	1.7	0
F-EH-55	313	55	1.8	0
F-EH-58	322	58	1.9	0
F-EH-61	334	61	2	0
F-EH-64	339	64	2.1	0
F-EH-67	344	67	2.2	0
F-EH-70	360	70	2.3	0
F-EH-73	363	73	2.4	0
F-EH-76	370	76	2.5	0
F-EH-79	383	79	2.6	0
F-EH-82	387	82	2.7	0
F-EH-85	397	85	2.8	0
F-EH-88	410	88	2.9	0
F-EH-91	416	91	3	0
F-EH-94	423	94	3.1	0
F-EH-97	434	97	3.2	0
F-EH-100	439	100	3.3	0

Code	Price	W (in.)	Weight (lb)	Volume (ft ³)
F-EH-103	450	103	3.4	0
F-EH-106	459	106	3.5	0
F-EH-109	465	109	3.5	0
F-EH-112	476	112	3.7	0
F-EH-115	482	115	3.8	0
F-EH-118	487	118	3.9	0
F-EH-121	499	121	4	0
F-EH-124	509	124	4.1	0
F-EH-127	516	127	4.2	0
F-EH-130	521	130	4.3	0
F-EH-133	531	133	4.4	0
F-EH-136	541	136	4.5	0
F-EH-139	548	139	4.6	0
F-EH-142	556	142	4.7	0
F-EH-145	731	145	4.8	0
F-EH-148	742	148	4.9	0
F-EH-151	751	151	5	0
F-EH-154	756	154	5.1	0
F-EH-157	761	157	5.2	0
F-EH-160	776	160	5.3	0
F-EH-163	785	163	5.4	0
F-EH-166	788	166	5.5	0
F-EH-169	792	169	5.6	0
F-EH-172	807	172	5.7	0
F-EH-175	813	175	5.8	0
F-EH-178	819	178	5.9	0
F-EH-181	828	181	6	0



What's Included:

Connector harness (1).

How to Specify:

Refer to local codes for limits or restrictions on harness length.

Options:

Width 44", 122"

Notes:

A qualified electrician must perform the connection to the building power supply.

Equipped with one male end and one female end.

Code	Price	W (in.)	Weight (lb)	Volume (ft ³)
F-E8FM-044	313	44	1.5	1.45
F-E8FM-122	521	122	2.5	2.15



What's Included:

Power pole back and cover (1), ceiling grommet - two halves (1), removable fasteners (9), and screw caps (2).

How to Specify:

The ceiling feed cable management column must be attach to a partition.

Back and cover finished in silver, black or white powder coat.

Ceiling grommet finished in white powder coat only.

Notes:

The power pole is 1.875-inches wide and 3.75-inches deep.

Power and communication cables are laid into separate channels of the power pole back.

Spans from the ceiling to the floor allowing power and communication cables access from the ceiling into the wire trough on a partition.

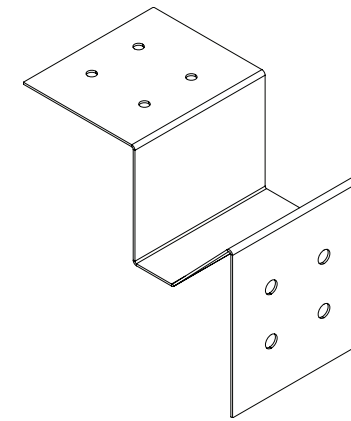
Can be stacked to span heights greater than 120-inches with stacking brackets included, however a second power pole must be specified.

Options:

Width 96", 108", 120"

Leg color **P112** silver **P121** white **P114** black

Code	Price	H (in.)	Weight (lb)	Volume (ft ³)
F-ECCC-96	410	96	1.54	0.39
F-ECCC-108	451	108	1.73	0.44
F-ECCC-120	496	120	1.92	0.49



What's Included:

Power pole bracket (2) and fasteners (8).

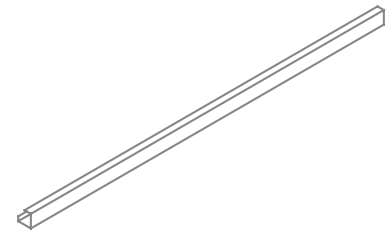
How to Specify:

Power pole bracket is finished in silver, black or white powder coat.

Notes:

The power pole bracket connects a worksurface to a power pole.

Code	Price	H (in.)	W (in.)	D 1 (in.)	Weight (lb)	Volume (ft ³)
F-ECBK	156	5	5.62	3.5	1	0.06



What's Included:

Under worksurface mounted wire manager (1).

How to Specify:

Specify the size needed.

Available in black only.

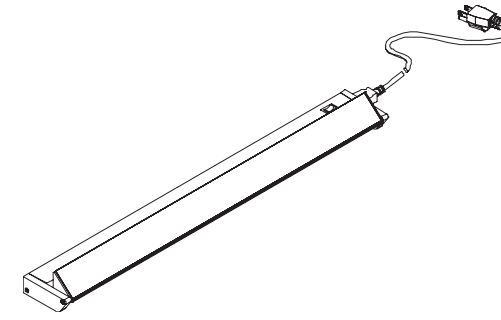
Notes:

Under worksurface wire manager attaches to the under side of the worksurface.

Options:

Size 12"W 24"W 36"W

Code	Price	H (in.)	W (in.)	D 1 (in.)	Weight (lb)	Volume (ft ³)
V-EWHB-12	9	1.5	12	1.5	0.2	0.02
V-EWHB-24	19	1.5	24	1.5	0.4	0.04
V-EWHB-36	26	1.5	36	1.5	0.6	0.06



What's Included:

Task Light (1) and installation hardware.

How to Specify:

This product is available only in silver.

Notes:

The task light can be mounted beneath an overhead cabinet or shelf to provide focused lighting within the workstation.

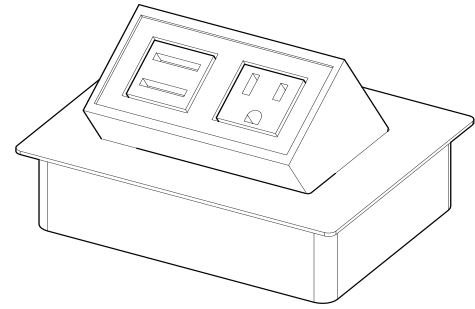
The task light cord is 9-feet long from the end of the task light.

Task lights come with built-in occupancy sensor with 30 minute delay

Options:

Width 24", 36", 48"

Code	Price	H (in.)	W (in.)	D 1 (in.)	Weight (lb)	Volume (ft ³)
V-ELU-24	344	1.1	24	3.5	9.5	0.16
V-ELU-36	387	1.1	36	3.5	13.5	0.27
V-ELU-48	486	1.1	48	3.5	17.9	0.38



What's Included:

in-surface pop-up grommet with 1 power and dual USB.

How to Specify:

Available in silver, black, and white.

Notes:

120" cord length

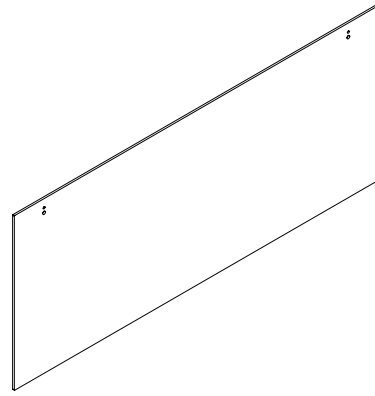
Code	Price	W (in.)	D 1 (in.)	Color
8530-0168	772	5	3.75	silver
8530-0169	650	5	3.75	black
8530-0178	148	5	3.75	white



Scene Pricebook
January 2026
Accessories

accessories

<u>trough mounted modesty</u>	266
<u>surface mounted metal screen</u>	268
<u>accessory screen</u>	269
<u>storage cube</u>	270
<u>paper sorter</u>	271
<u>paper tray</u>	272
<u>pen holder</u>	273
<u>monitor arm</u>	274
<u>keyboard tray</u>	275
<u>pencil tray</u>	276
<u>credenza seat cushion</u>	277



What's Included:

Trough mounted modesty (1), two square mounting clamp caps and removable fasteners (2-4).

How to Specify:

Specify the width of the screen to the same or less than the width of the worksurface being used for support.

Specify the width of the screen to the 18-inches or less than the width of the worksurface being used for support if a credenza is specified to support one end of the worksurface.

Available in the same nominal widths as the worksurface, but is actually shorter to accommodate worksurface supports.

Constructed of acrylic and available in frosted finish.

Notes:

Trough mounted modesty is 1/8-inch thick.

Positioned on the bottom of a worksurface with the vertical face approximately 10-inches from the visitor edge of the worksurface.

Mounting clamps with clamping screw are fastened to the mounting clamp retaining plates that are fitted into the hole sets located in two/three locations on the screen.

A top mounting flange fits into the inward facing top channel of the perpendicular reinforcement beam closest to the visitor edge of the worksurface if specified.

Options:

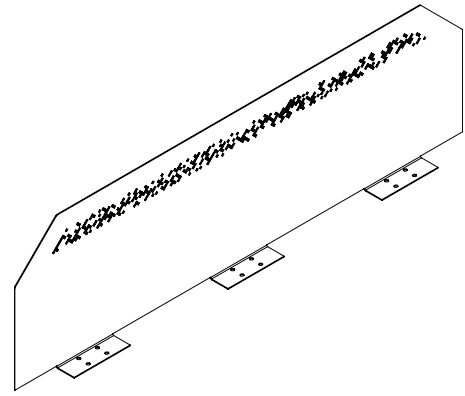
Width 28", 36", 42", 48", 54", 60", 66", 72", 78", 84", 90", 96"

Acrylic **F** frost

How to Order and Read your Code:

F **ATMM** **16** **28**
 product line item height width

Code	Price	H (in.)	W (in.)	D 1 (in.)	Weight (lb)	Volume (ft ³)
frosted						
F-ATMM-1636-F	310	16	28	5.38	6	1.88
F-ATMM-1642-F	355	16	34	5.38	7.2	2.29
F-ATMM-1648-F	403	16	40	5.38	8.4	2.69
F-ATMM-1654-F	450	16	46	5.38	9.6	3.09
F-ATMM-1660-F	491	16	52	5.38	10.8	3.5
F-ATMM-1666-F	541	16	58	5.38	12	3.9
F-ATMM-1672-F	616	16	64	5.38	13.2	4.3
F-ATMM-1678-F	662	16	70	5.38	14.4	4.71
F-ATMM-1684-F	709	16	76	5.38	15.6	5.11
F-ATMM-1690-F	756	16	82	5.38	16.8	5.52
F-ATMM-1696-F	801	16	88	5.38	18	5.92



What's Included:

Surface mounted metal screen (1) and removable fasteners (12).

How to Specify:

Available in the same nominal widths as the worksurface, but is actually shorter to accommodate worksurface supports.

Available in a variety of powder coat finish colors. Refer to the samples presented on Tayco metal finish card - accent finish.

Notes:

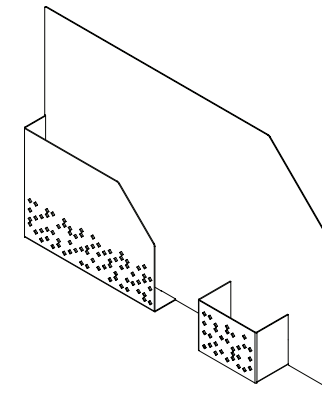
The surface mounted metal screen is placed between two worksurfaces. It can be used on a single surface as well.

Options:

Width 36", 42", 48", 54", 60", 66", 72"

Color **P121** white **P200** sunrise **P201** tropic
P202 vineyard **P203** sky **P204** meadow

Code	Price	H (in.)	W (in.)	D 1 (in.)	Weight (lb)	Volume (ft ³)
F-ASMS-1336	434	13	36	6	5	2.13
F-ASMS-1342	506	13	42	6	5.5	2.48
F-ASMS-1348	571	13	48	6	6	2.83
F-ASMS-1354	615	13	54	6	6.5	3.19
F-ASMS-1360	712	13	60	6	7	3.54
F-ASMS-1366	847	13	66	6	7.5	3.9
F-ASMS-1372	892	13	72	6	8	4.25



What's Included:

Accessory screen (1).

How to Specify:

Available in a variety of powder coat finish colors. Refer to the samples presented on Tayco metal finish card - accent finish.

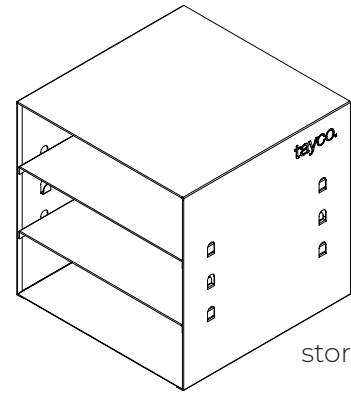
Notes:

The accessory screen is a freestanding privacy screen.

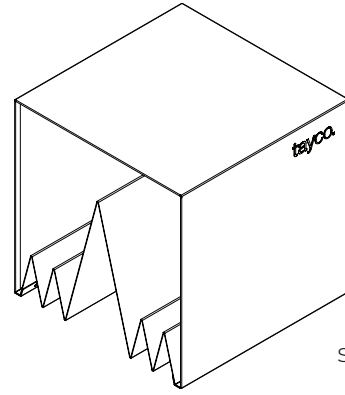
Options:

Color **P121** white **P200** sunrise **P201** tropic
P202 vineyard **P203** sky **P204** meadow

Code	Price	H (in.)	W (in.)	D 1 (in.)	Weight (lb)	Volume (ft ³)
F-ASCN-1320	421	13	20	6	10	1.18



storage cube (shelf)



storage cube (sorter)

What's Included:

Shelf: Storage cube (1) and two shelf inserts (2).
 Sorter: Storage cube (1) and an insert (1).

How to Specify:

Available in a variety of powder coat finish colors. Refer to the samples presented on Tayco metal finish card.
 Storage cube outer shell and insert are available in a variety of color combinations.

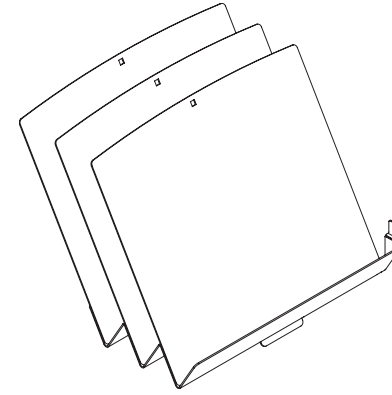
Notes:

Storage cube can hold multiple folders and papers.

Color combination Options:

Insert Color	OUTER SHELL COLOR							
	P121 white	P112 silver	P114 black	P200 sunrise	P201 tropic	P202 vineyard	P203 sky	P204 meadow
P121 white	✓	✓	✓	✓	✓	✓	✓	✓
P112 silver	✓	✓	✓	✓	✓	✓	✓	✓
P114 black	✓	✓	✓	✓	✓	✓	✓	✓
P200 sunrise	✓	✓	✓	✓				
P201 tropic	✓	✓	✓		✓			
P202 vineyard	✓	✓	✓			✓		
P203 sky	✓	✓	✓				✓	
P204 meadow	✓	✓	✓					✓

Code	Price	H (in.)	W (in.)	D 1 (in.)	Weight (lb)	Volume (ft ³)
storage cube (shelf)						
V-ACSF	432	12	12	12	8	1
storage cube (sorter)						
V-ACSR	349	12	12	12	8	1



What's Included:

Paper sorter base (1) and three paper sorter panels (3).

How to Specify:

Available in a variety of powder coat finish colors. Refer to the samples presented on Tayco metal finish card - accent finish.

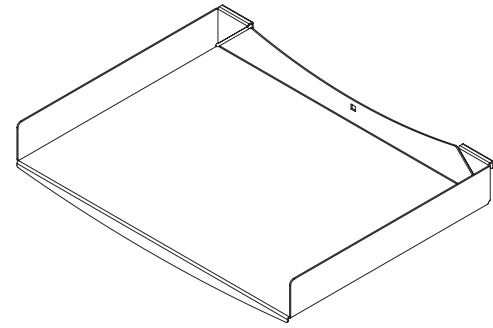
Options:

Color	P121 white P202 vineyard	P200 sunrise P203 sky	P201 tropic P204 meadow
-------	-----------------------------	--------------------------	----------------------------

Notes:

Paper sorter can hold multiple folders at an optimal angle

Code	Price	H (in.)	W (in.)	D 1 (in.)	Weight (lb)	Volume (ft ³)
F-AAS	206	2.5	11	10	4	3



What's Included:

Paper tray (1).

How to Specify:

Available in a variety of powder coat finish colors. Refer to the samples presented on Tayco metal finish card - accent finish.

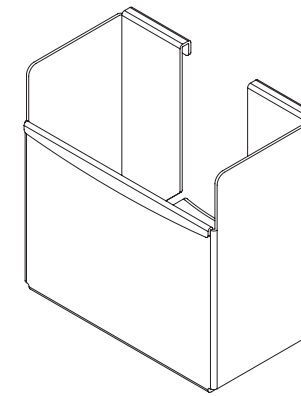
Options:

Paper size	9 letter	13 legal	
Color	P121 white P202 vineyard	P200 sunrise P203 sky	P201 tropic P204 meadow

Notes:

Paper tray is available in letter and legal paper sizes.

Code	Price	H (in.)	W (in.)	D 1 (in.)	Weight (lb)	Volume (ft ³)
letter						
F-AAP-9	102	3.2	12	9	2	0.12
legal						
F-AAP-13	117	3.2	15	9	3	0.16



What's Included:

Pen holder (1).

How to Specify:

Available in a variety of powder coat finish colors. Refer to the samples presented on Tayco metal finish card - accent finish.

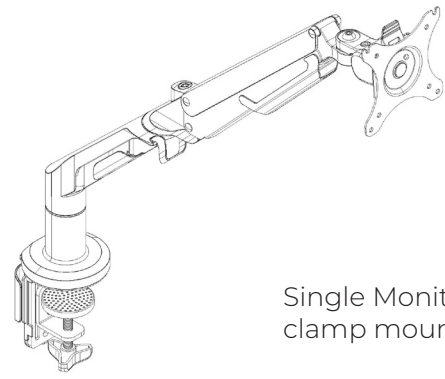
Options:

Color	P121 white P202 vineyard	P200 sunrise P203 sky	P201 tropic P204 meadow
-------	---	--	--

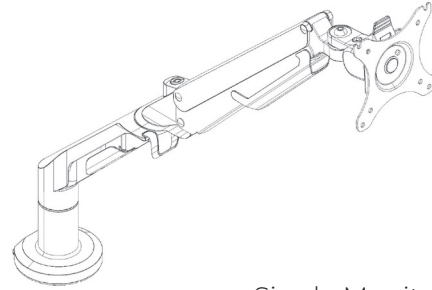
Notes:

Pen holder is 4" wide by 2" deep.

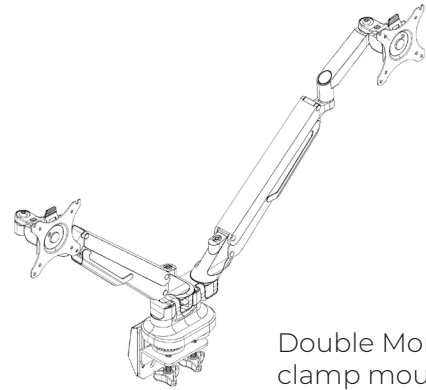
Code	Price	H (in.)	W (in.)	D 1 (in.)	Weight (lb)	Volume (ft ³)
F-AAH	94	4	4	2	1	0.02



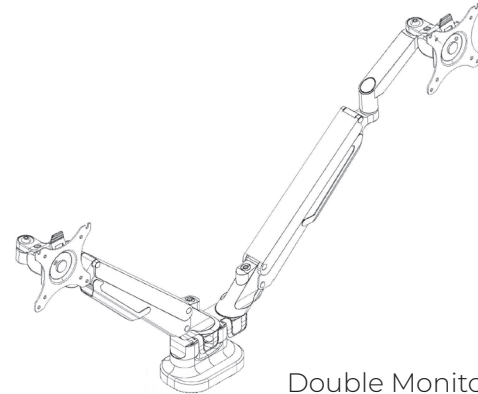
Single Monitor Arm - clamp mount



Single Monitor Arm - grommet mount



Double Monitor Arm - clamp mount



Double Monitor Arm - grommet mount

What's Included:

One monitor arm and installation hardware for both clamp and grommet mount

How to Specify:

- Specify type

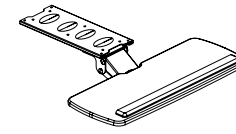
Dimensions:

Vesa: 75x75 and 100x100

Notes:

- Available in silver only
- Single Monitor Arm
 - Screen Size - 17"-36"
 - Load Capacity - 6.6-26.4lbs/3-12kg
 - Tilt Range - -90 degrees - -15 degrees
- Dual Monitor Arm
 - Screen Size - 17"-32"
 - Load Capacity - 4.4-19.8lbs/2-9kg
 - Tilt Range - -90 degrees - -15 degrees

Code	Price
Monitor Arm - Single Mount	
V-AFMA-01	426
Monitor Arm - Double Mount	
V-AFMA-02	711



Articulating Keyboard Tray

What's Included:

Keyboard Tray, installation hardware.

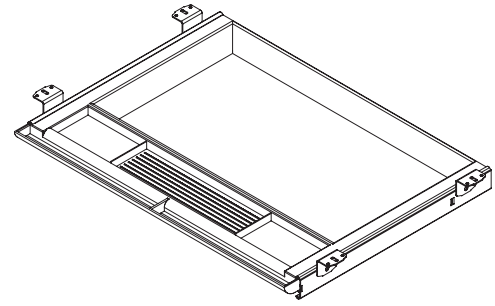
How to Specify:

The articulating keyboards are available only in black.

Notes:

Keyboard trays provide adjustable ergonomic support for individuals in multi-task environments

Code	Price	H	W	D	Volume (ft ³)	Weight (lb)
Articulating Keyboard Tray						
V-KASX-2510	459	0	25	10	0	15



What's Included:

Pencil Drawer (1) installation hardware and mounting slides.

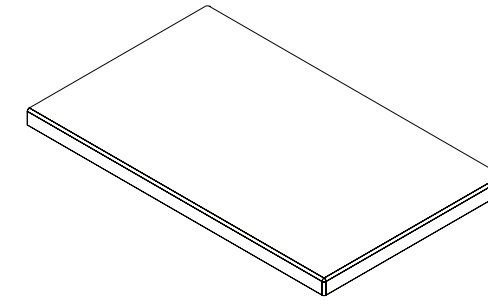
How to Specify:

This product is available only in black.

Notes:

Pencil drawers provide compartmentalized pencil and stationary storage below the worksurface.

Code	Price	H (in.)	W (in.)	Weight (lb)	Volume (ft ³)
V-ADPP	100	21	16	1.8	0.62



What's Included:

Credenza seat cushion (1).

How to Specify:

Specify the width of the seat cushion to be the same as the width of the credenza used for support if a full seat cushion to cover the entire top of a credenza is required

Specify the width of the seat cushion to be 18-inches if an off-modular smaller seat cushion is required to accommodate power access, top mounted storage, and worksurfaces supports.

Refer to the swatches presented on Tayco Seating fabric cards.

Options:

Width 18, 24, 30, 36, 42, 48, 54, 60, 66, 72

Notes:

Mounting brackets on the bottom of the seat fit into the channel rail on the top of credenza allowing the seat cushion to slide from side-to-side along the width of the credenza.

Code	Price	W (in.)
F-ACSC-18	301	18
F-ACSC-24	350	24
F-ACSC-30	399	30
F-ACSC-36	444	36
F-ACSC-42	501	42
F-ACSC-48	548	48
F-ACSC-54	602	54
F-ACSC-60	647	60
F-ACSC-66	704	66
F-ACSC-72	751	72