

tayco®

Scene Pricebook

August 2024

Contents

caution	7
overview	8
the line-up	9
general instructions	15
workspace definition	16
screen definition	18
installation sequence	22
screen post to surface	24
screens to screen post	25
end reinforcement bars to open center gable	29
shared reinforcement bars to open center gable	30
no connector reinforcement bars to workspace	31
workspace to workspace flush plate	32
flag storage installation	34
single post support	35
low credenza to workspace fixed support	36
low credenza to wide workspace fixed support	37
workspace to high credenza installation	38
reinforcement beams to workspace	39
front inset spacer to high credenza installation	40
overhead storage - attachment to dry wall with wood studs	42
overhead storage - attachment to dry wall with wood studs	42
overhead storage - attachment to dry wall with wood studs	43
credenza mounted storage to high credenza installation	44
surface mounted screen	45
trough mounted modesty screen	46
wire management trough to surface	47
power pole installation	48
trough mounted communication box installation	50
trough mounted power box installation	51

pedestal	53
freestanding	54
mobile	56
lateral	59
2 drawer	60
3 drawer	62
4 drawer	64
credenza	67
open high	68
enclosed high	69
combo high	70
open low	72
enclosed low	73
combo low	74
cabinet	77
4 door laminate	78
4 door acrylic	79
2 door laminate	80
2 door acrylic	81
flag storage	83
open shelf	84
shared open shelf	86
left side flag storage	87
right side flag storage	88
credenza mount storage	91
single level - open shelf	92
single level - frosted sliding door	94
double level - open shelf	96
double level - open shelf/hinged door	97
double level - open shelf/frost door	98
double level - frost acrylic hinged door	100
double level - hinged door	102
wall mounted storage	105
open shelf	106
hinged door hutch	107
frost acrylic hinged door hutch	108

tower	111
closet	112
acrylic door closet	113
storage	114
acrylic door storage	116
combo storage - closet / cabinet	118
acrylic door cabinet /combo storage - closet	119
combo storage - closet / BBF / cabinet	120
acrylic door cabinet / BBF / combo storage - closet	121
combo storage - closet / FF / cabinet	122
combo storage - closet / FF / acrylic door cabinet	124
surface	127
type 1	128
arc worksurface w/ center grommet	128
arc worksurface w/ side grommet	130
straight worksurface w/ center grommet	132
straight worksurface w/ side grommet	134
straight worksurface without grommet	136
unitized desk w/ side grommet	138
D worksurface w/ side grommet	140
credenza mounted	142
D worksurface w/ side grommet	142
straight worksurface w/ side grommet	144
straight return w/ center grommet	146
flag storage	148
straight worksurface (single full side)	148
straight worksurface (single shared side)	150
straight worksurface (full / shared)	152
straight worksurface (shared / shared)	154
surface with power grommet	157
straight worksurface	158
credenza surface straight return	160
freestanding square table	164
freestanding round table	165

screens	167
privacy screen - end to end	168
solid	168
whiteboard	173
fabric	176
frost acrylic	180
privacy screen - end to share	184
solid	184
whiteboard	189
fabric	192
frost acrylic	196
privacy screen - share to share	200
solid	200
whiteboard	205
fabric	208
frost acrylic	212
screen components	217
accessories rail - end to end	218
accessories rail - end to share	220
accessories rail - share to share	221
post	222
support	225
spacer	226
end gable	228
flag storage gable	229
center gable	230
single support leg	231
low credenza support	232
mending plate	233
reinforcement bar	235
end to end	236
end to share	238
share to share	240
end to no connector	242

share to no connector	244
no connector	246
short beam	247
electrics	249
wire management trough	250
trough mounted power box	252
trough mounted data box	253
electrical splitter harness	254
electrical starter harness	255
connector harness (female to female)	256
connector harness (female to female) continued	258
connector harness (female to male)	259
power pole	260
power pole bracket	261
under worksurface mounted wire manager	262
task light	263
pop-up grommet	264
accessories	267
trough mounted modesty	268
surface mounted metal screen	270
accessory screen	271
storage cube	272
paper sorter	273
paper tray	274
pen holder	275
monitor arm	276
keyboard tray	277
pencil tray	278
credenza seat cushion	279

Caution

Load Bottom Drawer First

- Operate one drawer at a time
- Units may tip if loaded incorrectly
- Units should be attached to a wall or other furniture to reduce tipping hazard
- Always load the heaviest files in the bottom drawer

Heavy Load

- Some products must be anchored to wall to ensure stability & safety.
- It is the owner and installers responsibility to ensure that the wall type and construction is of sufficient strength to carry the loads of any wall mounted products and their contents.
- Failure of the wall and anchors to support all imposed loads may result in property damage and/or personal injury.
- Tayco can provide size and empty weight of its products only. As wall blocking is considered a building construction process, Tayco cannot provide recommendations in this respect and cannot be responsible for damage or injury that may occur as a result of improper installation and/or blocking.

Instability Hazard

Mobile items on casters such as flip top, personal and movable tables of any type and storage items of any type may present an instability hazard if not secured correctly while in use or in storage. Flip top tables or training tables of any type, are inherently more unstable when folded. Tayco provides the following guidelines & warnings when using mobile products:

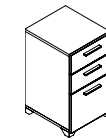
- Lock casters immediately after moving. Do not leave the casters unlocked when in use or in storage.
- Motion may increase the instability of any item with casters. If the wheels hit an obstruction the table's forward momentum often causes overturn, especially if the item is not equipped with wheel extensions. Exercise strong caution while moving these items.
- Use caution when abrupt level changes in the floor are present (such as a doorway or room threshold) as caster failure or tipping may result.
- Do not stand, sit or lean on mobile items for support. They are not intended for this use and personal injury or property damage may result.
- Mobile units that feature height adjustable elements must be lowered to the minimum compressed height when moving to prevent instability. It is also recommended the user remove all computer equipment or other accessories to prevent possible weight imbalance or damage to equipment.
- Failure to follow the guidelines above may result in property damage or personal injury.

overview

the line-up	9
general instructions	15
workspace definition	16
screen definition	18
installation sequence	22
screen post to surface	24
screens to screen post	25
end reinforcement bars to open center gable	29
shared reinforcement bars to open center gable	30
no connector reinforcement bars to worksurface	31
worksurface to worksurface flush plate	32
flag storage installation	34
single post support	35
low credenza to worksurface fixed support	36
low credenza to wide worksurface fixed support	37
worksurface to high credenza installation	38
reinforcement beams to worksurface	39
front inset spacer to high credenza installation	40
overhead storage - attachment to dry wall with wood studs	42
credenza mounted storage to high credenza installation	44
surface mounted screen	45
trough mounted modesty screen	46
wire management trough to surface	47
power pole installation	48
trough mounted communication box installation	50
trough mounted power box installation	51

the line-up

pedestal



F-FPBF



F-FPFF



F-FPLO



F-FPLS (cushion)

lateral



2H Lateral



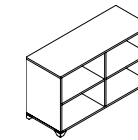
3H Lateral



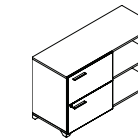
4H Lateral

credenza

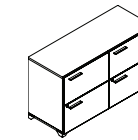
high credenza



open credenza

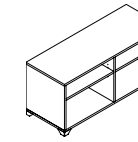


Combo credenza

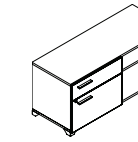


enclosed credenza

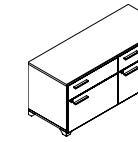
low credenza



open credenza



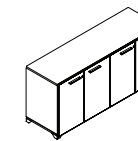
Combo credenza



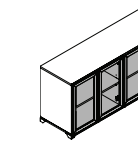
enclosed credenza

cabinet

4 door cabinet

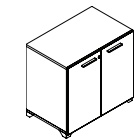


Laminate door

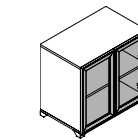


acrylic door

2 door cabinet

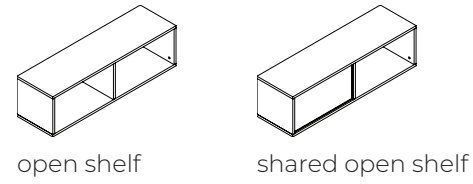


Laminate door



acrylic door

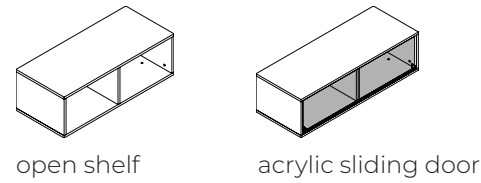
Flag storage



open shelf shared open shelf

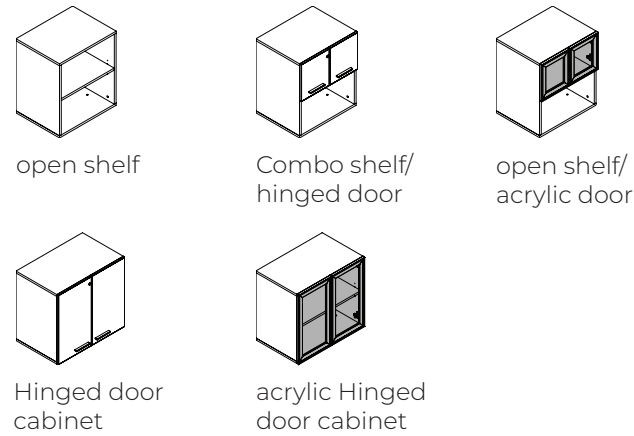
Credenza Mount storage

single level



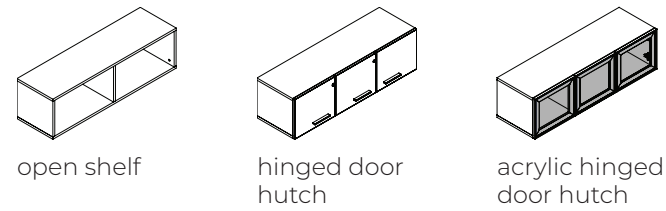
open shelf acrylic sliding door

double level



open shelf
Combo shelf/hinged door
open shelf/acrylic door
Hinged door cabinet
acrylic Hinged door cabinet

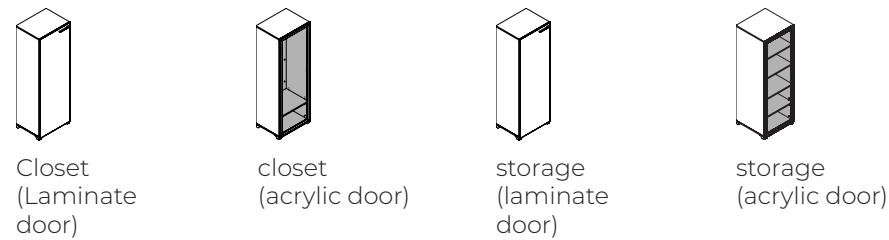
Wall mount storage



open shelf hinged door hutch acrylic hinged door hutch

Tower

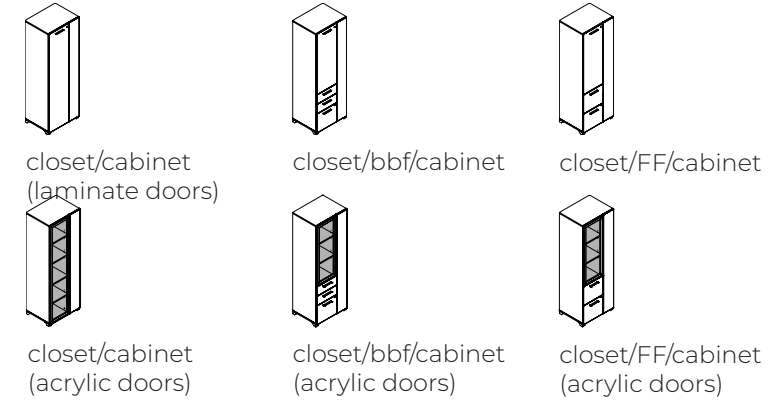
individual storage



Closet (Laminate door) closet (acrylic door) storage (laminated door) storage (acrylic door)

tower - cont'd

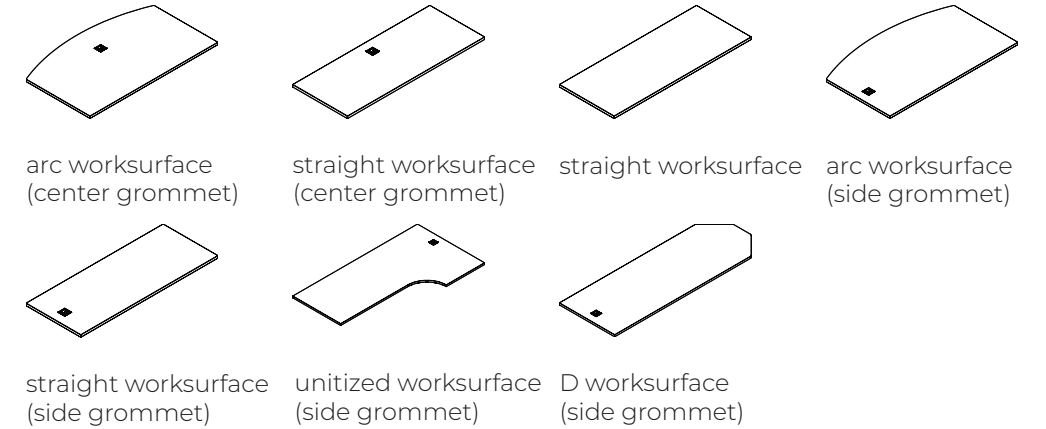
combo storage



closet/cabinet (laminated doors) closet/bbf/cabinet closet/FF/cabinet
closet/cabinet (acrylic doors) closet/bbf/cabinet (acrylic doors) closet/FF/cabinet (acrylic doors)

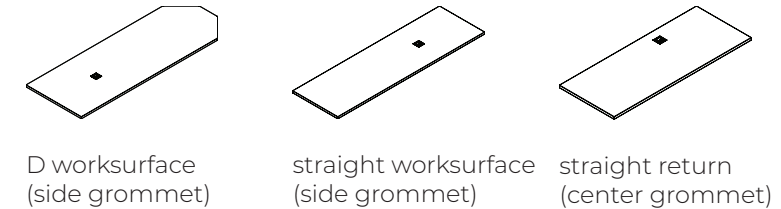
surface

surface type 1



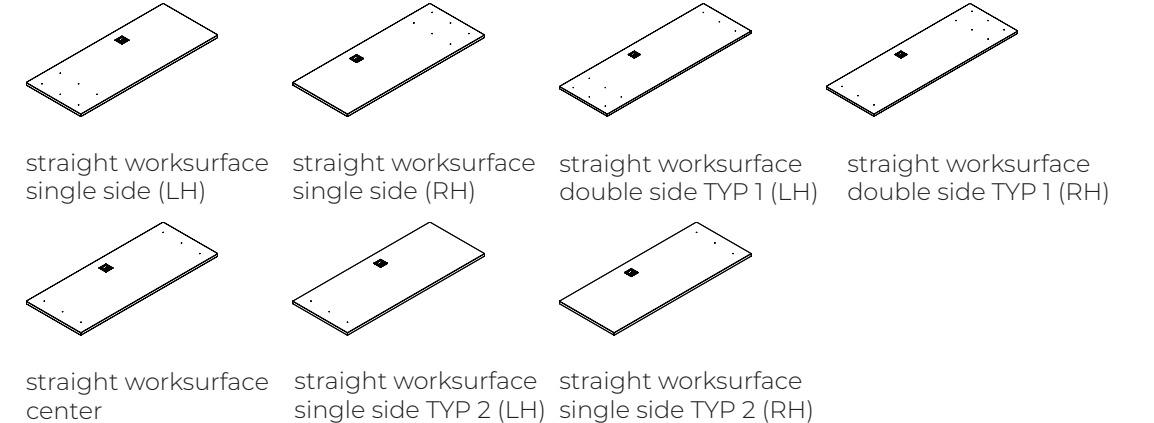
arc worksurface (center grommet) straight worksurface (center grommet) straight worksurface (side grommet) arc worksurface (side grommet)
straight worksurface (side grommet) unitized worksurface (side grommet) D worksurface (side grommet)

credenza mounted



D worksurface (side grommet) straight worksurface (side grommet) straight return (center grommet)

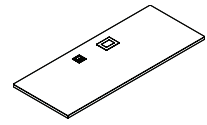
flag surface



straight worksurface single side (LH) straight worksurface single side (RH) straight worksurface double side TYP 1 (LH) straight worksurface double side TYP 1 (RH)
straight worksurface center straight worksurface single side TYP 2 (LH) straight worksurface single side TYP 2 (RH)

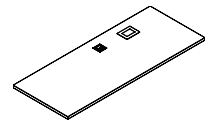
surface with power grommet

surface type 1



straight desk
(center grommet)

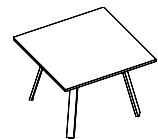
credenza mounted



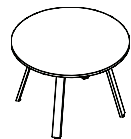
straight return
(center grommet w/ spacer)

table

freestanding table

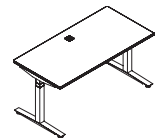


square table



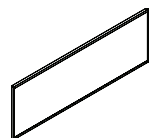
round table

height adjustable table

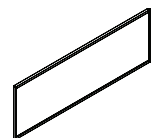


straight table

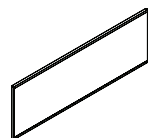
post mounted privacy screen



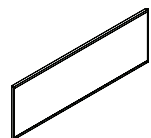
Solid screen



Acrylic screen

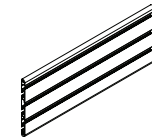


Felt fabric screen



whiteboard screen

screen components



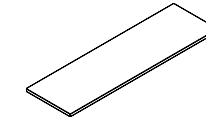
accessory rail



post

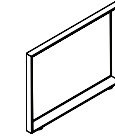
support

spacer support

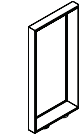


Spacer- front insert
(single sided)

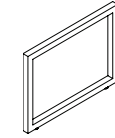
gable/leg support



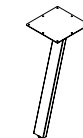
end gable



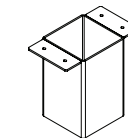
flag storage gable



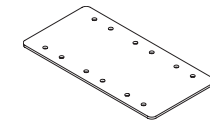
center gable



single support post

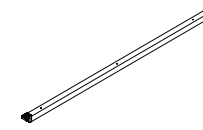


low credenza support

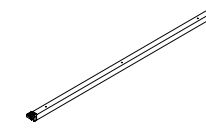


mending plate

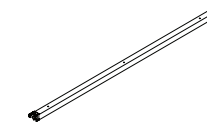
reinforcement bar



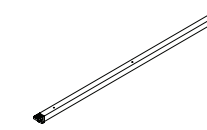
end to end



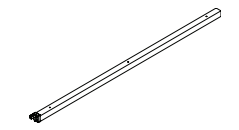
end to share



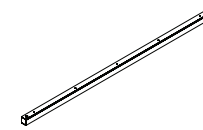
share to share



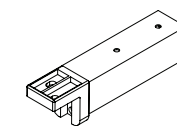
end / no connection



shared / no connection

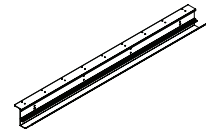


no connection

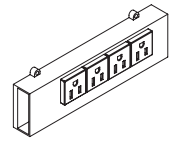


short beam

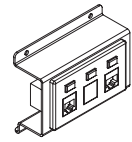
electrics



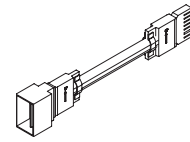
wire trough



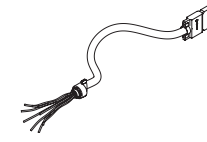
trough Mounted receptacle



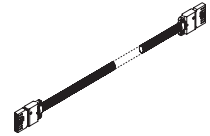
trough Mounted data box



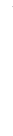
splitter



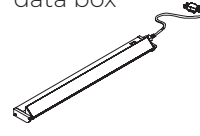
starter



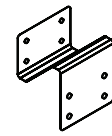
connector harness



power pole

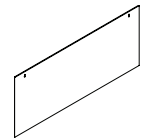


task light

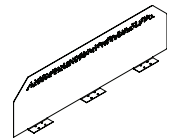


power pole bracket

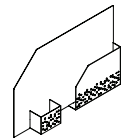
accessory



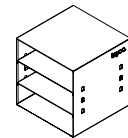
trough mount modesty



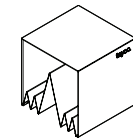
surface mount metal screen



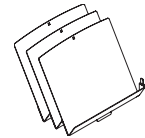
accessory screen



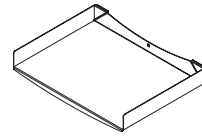
storage cube (shelf)



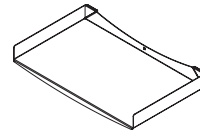
storage cube (sorter)



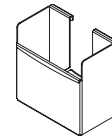
paper sorter



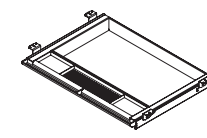
letter size tray



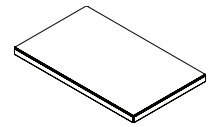
legal size tray



pen holder



Pencil drawer



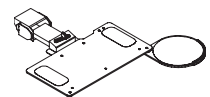
credenza cushion



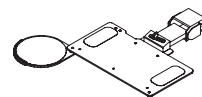
monitor arm single mount



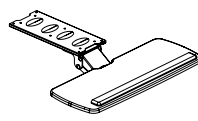
monitor arm double mount



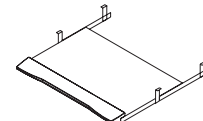
adj keyboard with rH mouse tray



adj keyboard with LH mouse tray



adj keyboard straight



retractable keyboard

general instructions

installation checklist

Perform a site inspection prior to the installation date to check existing site conditions and identify constraints and limitations that could possibly cause delays or problems during the actual installation.

Site Accessibility

1. Verify existing loading facilities and proximity of loading dock to staging area.
2. Verify if receiving area is accessible by trailer.
3. Verify access to service elevators.
4. Reserve service elevators in advance, if necessary.

Site Preparation

1. Clear all obstacles that could interfere with the installation process.
2. When doing a reconfiguration, ensure that all furniture to be re-used is clear of computers, accessories, books, papers and all personal effects.
3. Ensure that all live wires and data/communications wires are disconnected prior to installation.

Furniture Plans

1. Labeled furniture plans for installation purposes are located in the hardware box. Ensure that drawings are complete and handy before beginning installation.

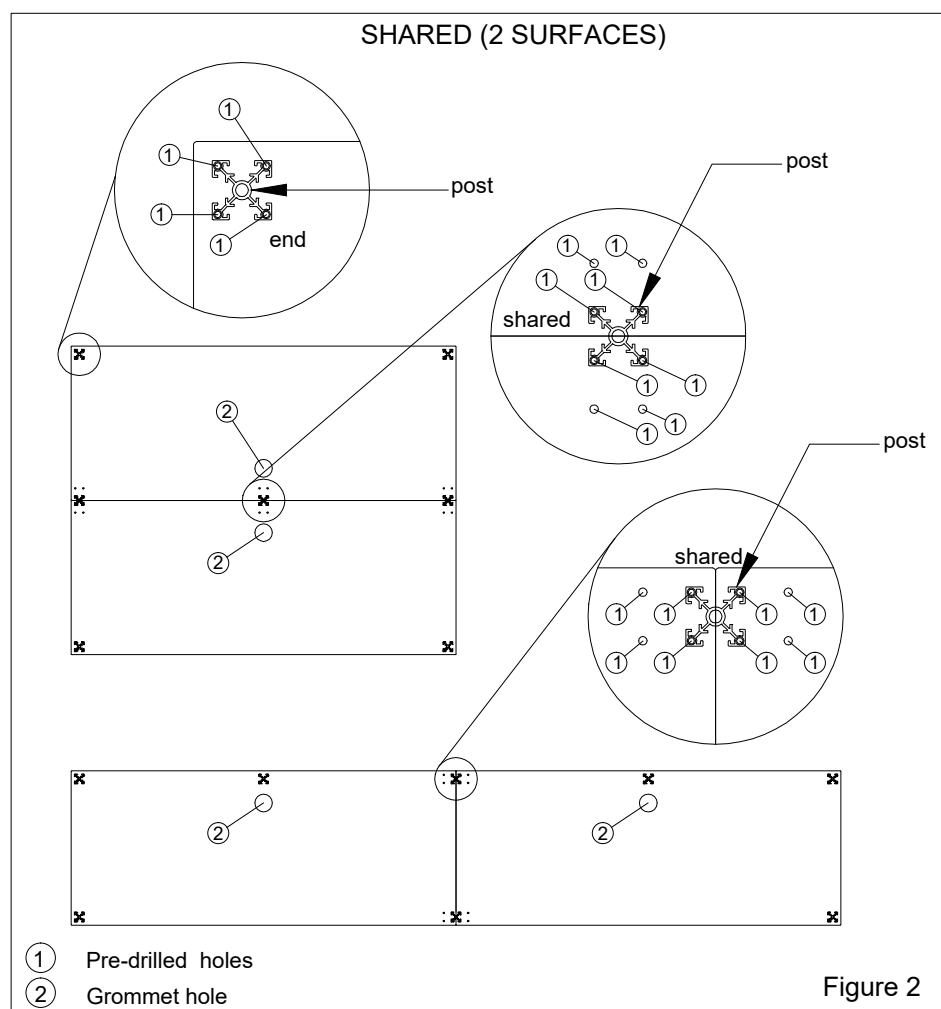
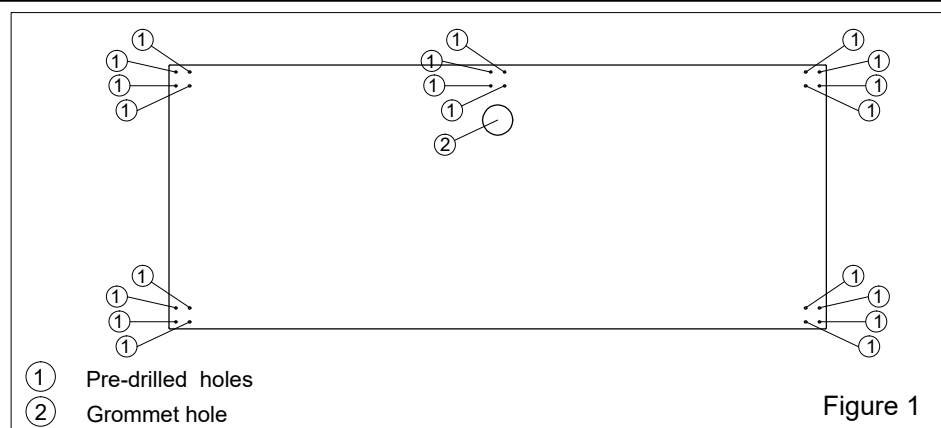
Waste Management

1. Establish a trash removal area separate from the product staging area.

workspace definition

workspace definition

1. Pre-drilled locations, Figure 1.
2. Figure 2 shows how to position the post on two shared surfaces.

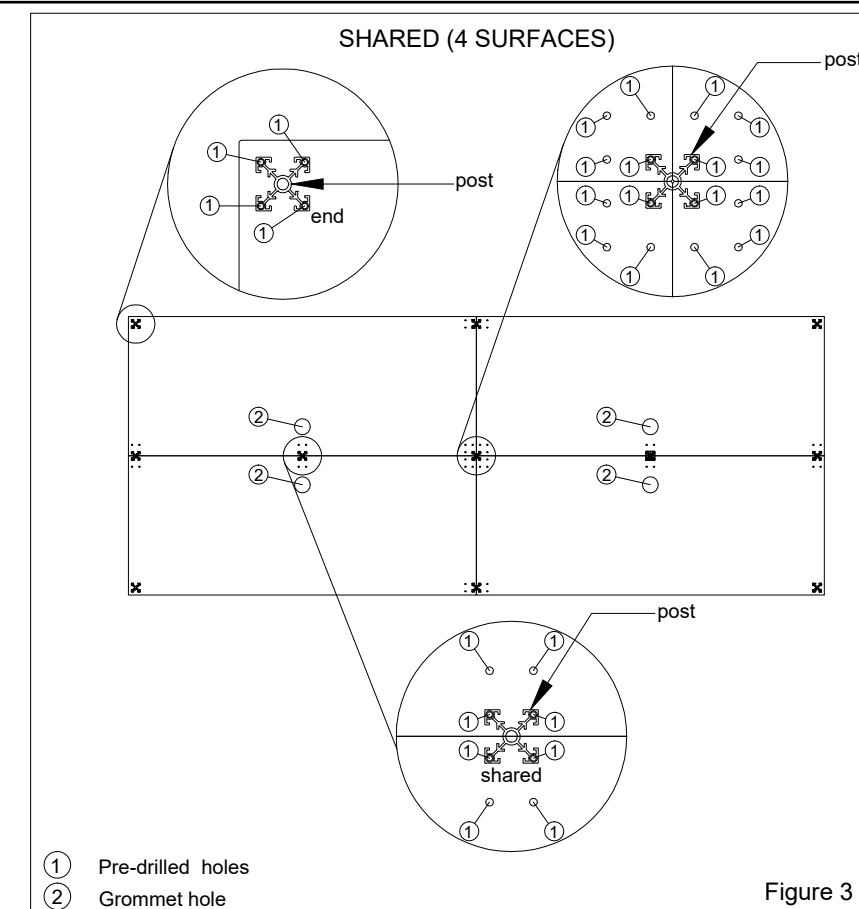


IMPORTANT NOTES:

- Do not drill all the pre-drilled holes, drill only where required as per furniture layout configuration.
- Check the layout for post positioning.

workspace definition (cont'd)

3. Figure 3 shows how to position the posts on 4 shared surfaces.



IMPORTANT NOTES:

- Do not drill all the pre-drilled holes, drill only where required as per furniture layout configuration.
- Check the layout for post positioning.

screen definition

screen definition

END TO END, Figure 1

- 1. Post
- 2. Privacy Screens
- 3. Worksurface

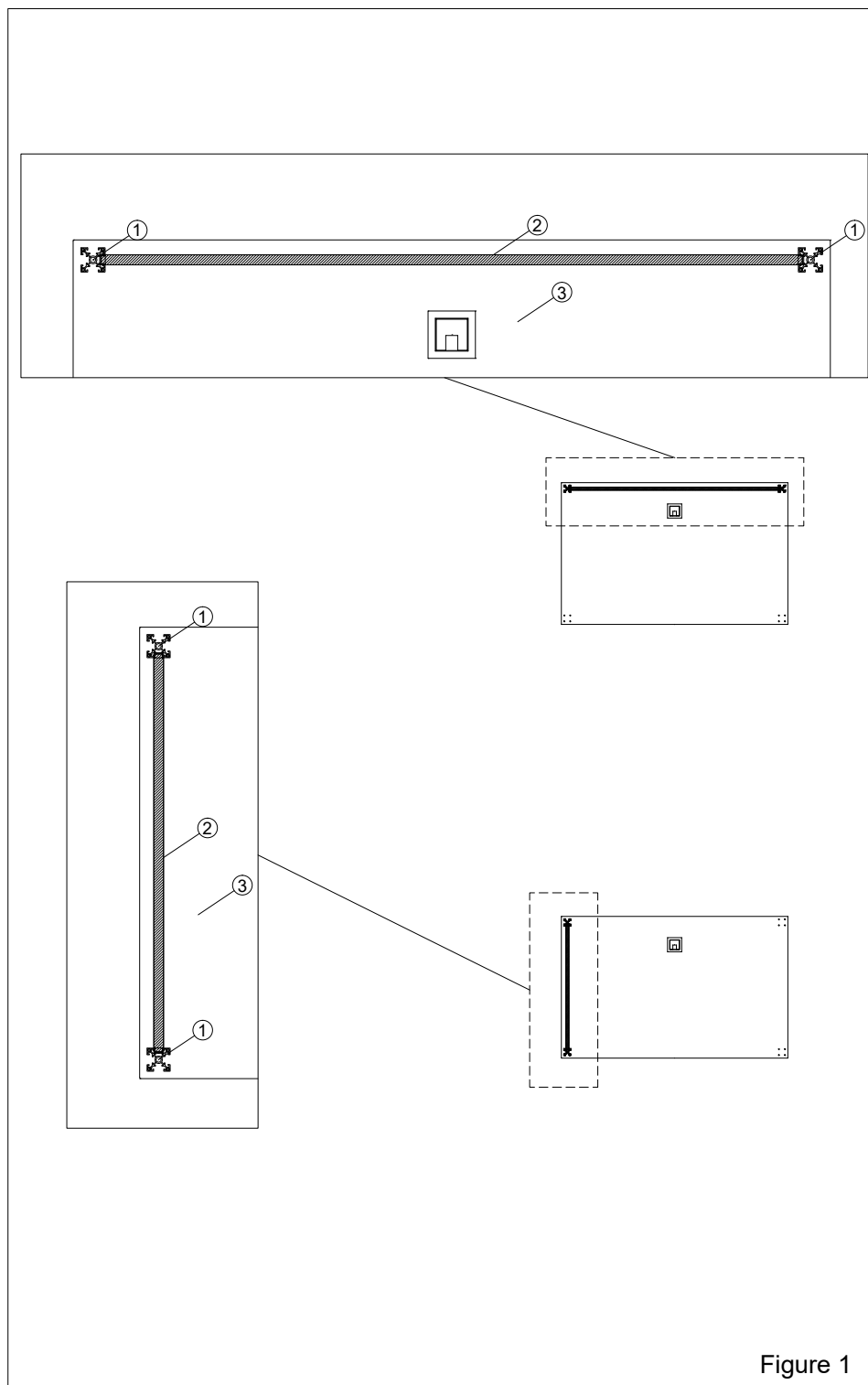


Figure 1

screen definition (cont'd)

END TO SHARED, Figure 2

- 1. Post
- 2. Privacy Screens
- 3. Worksurface

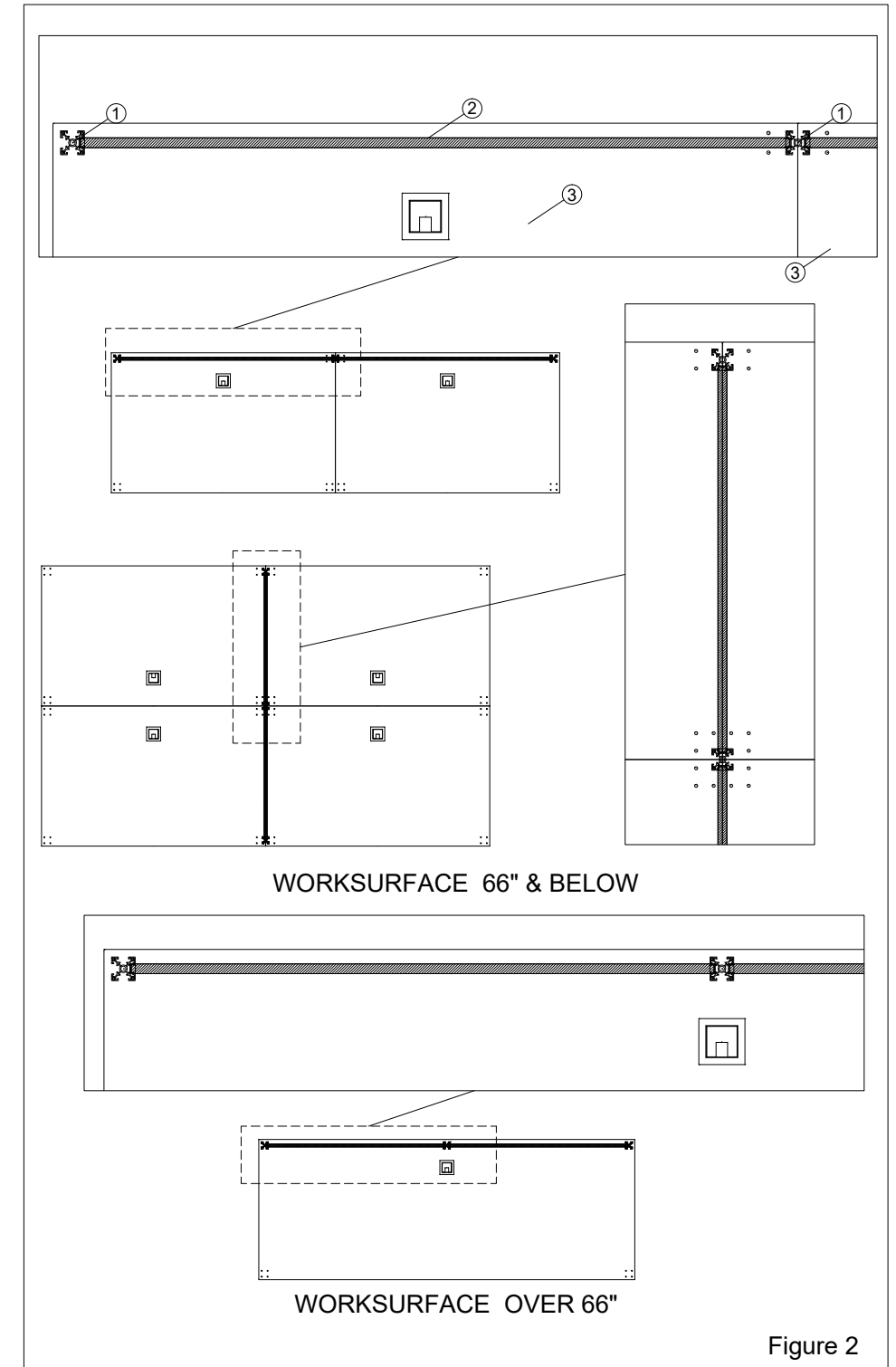


Figure 2

screen definition (cont'd)

GLAZED SCREEN

1. Screen extrusion
2. Acrylic glazing
3. Screen gasket
4. Post cap
5. Post

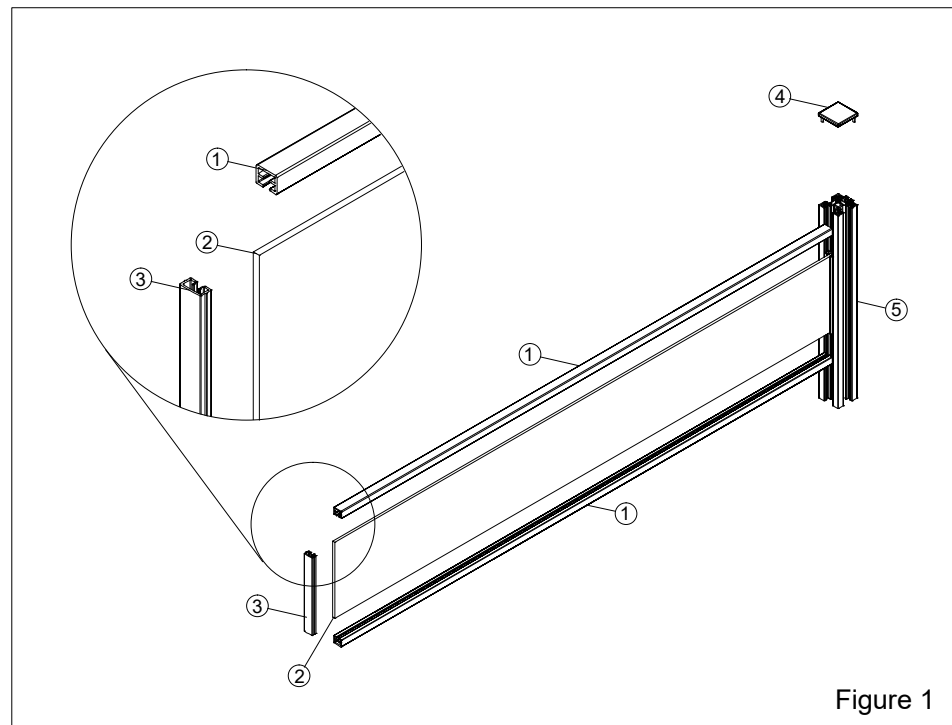


Figure 1

TACKBOARD/FELT/WHITEBOARD/ MELAMINE SCREEN

1. Screen extrusion
2. Tackboard/Felt/Whiteboard/
Melamine screen
3. Screen gasket
4. Post cap
5. Post

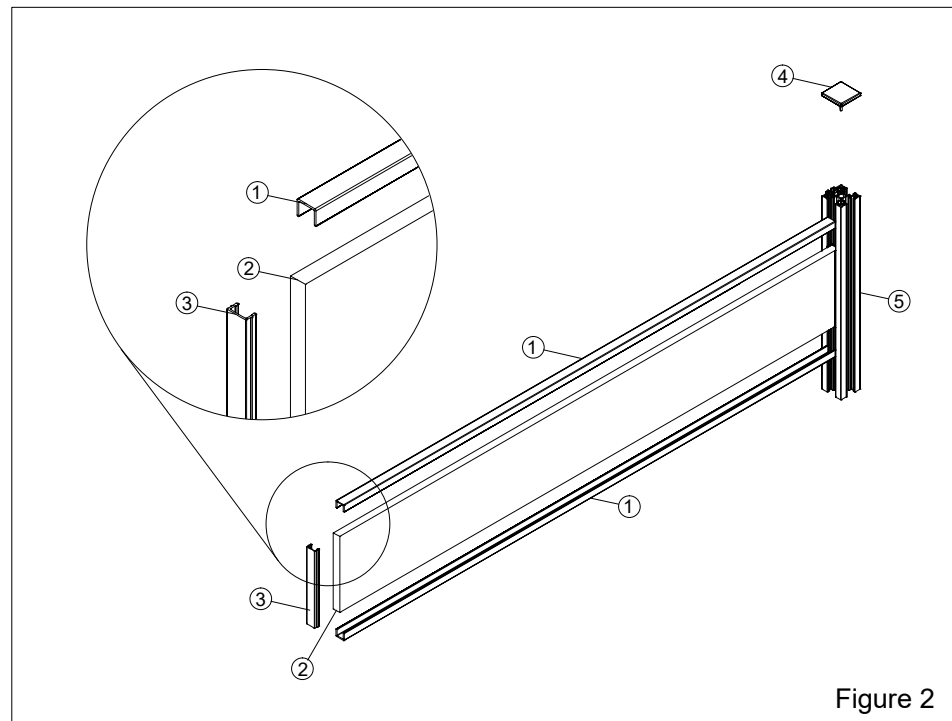


Figure 2

screen definition

ACCESSORY SCREEN

1. Accessory screen
2. Post
3. Post cap

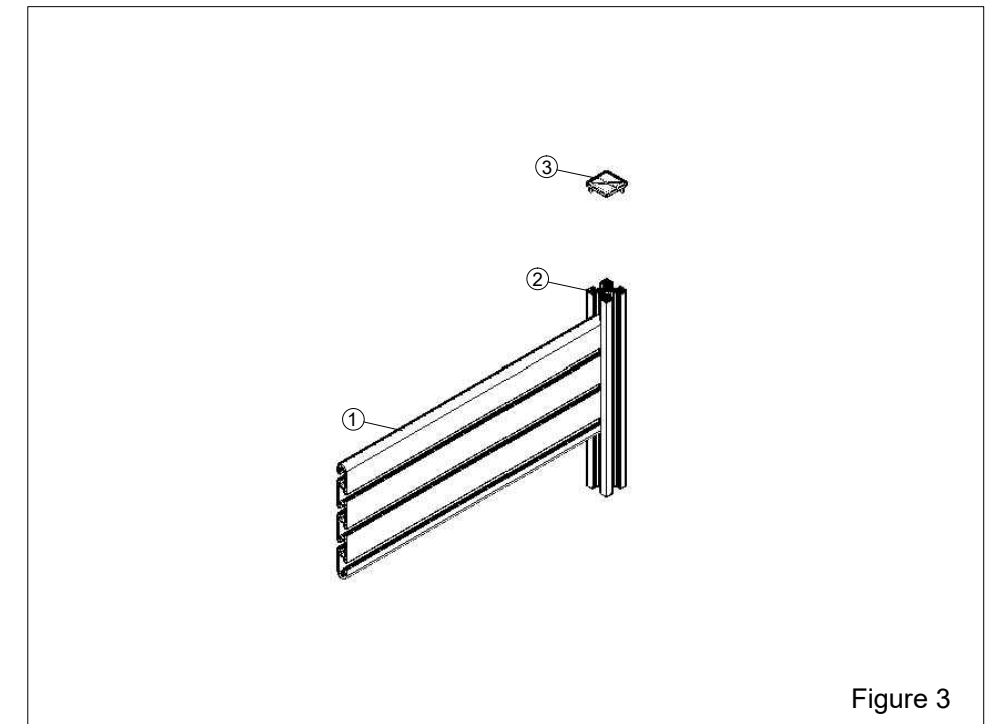


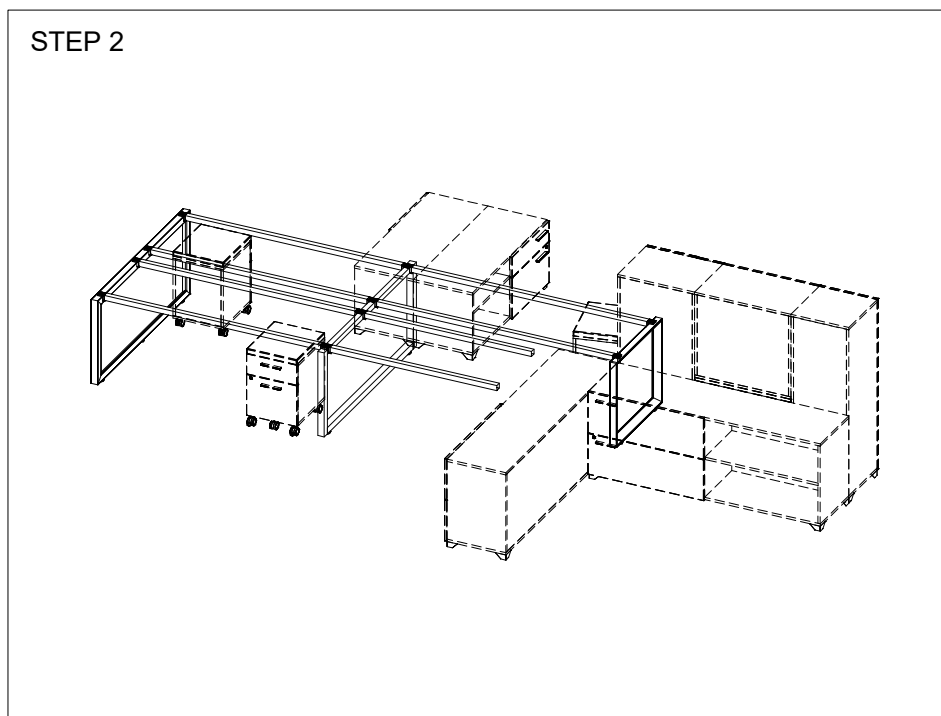
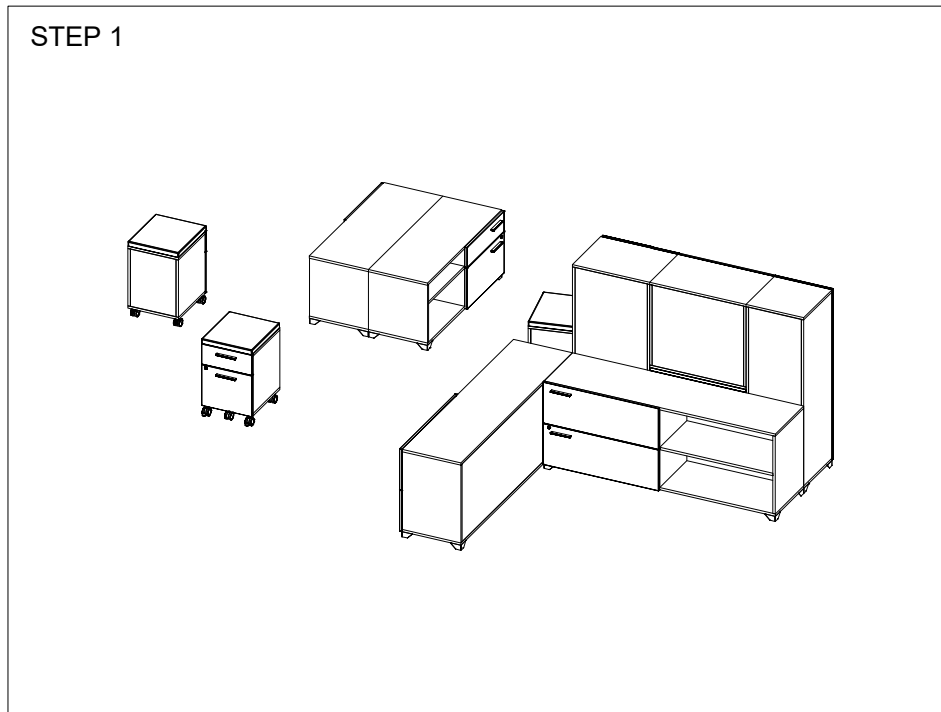
Figure 3

installation sequence

installation sequence

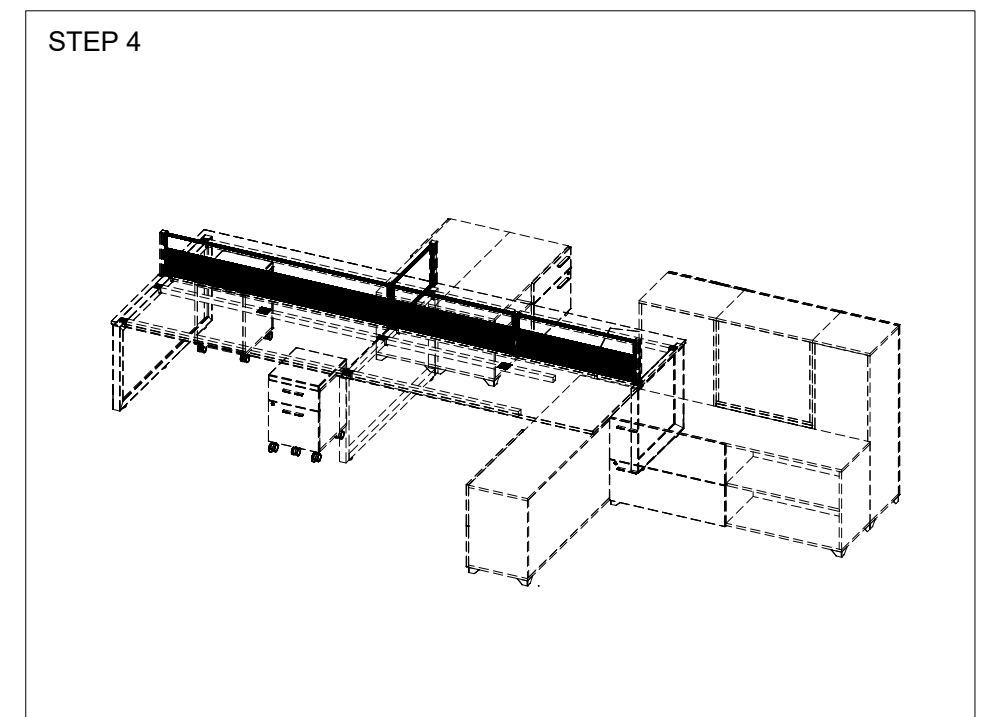
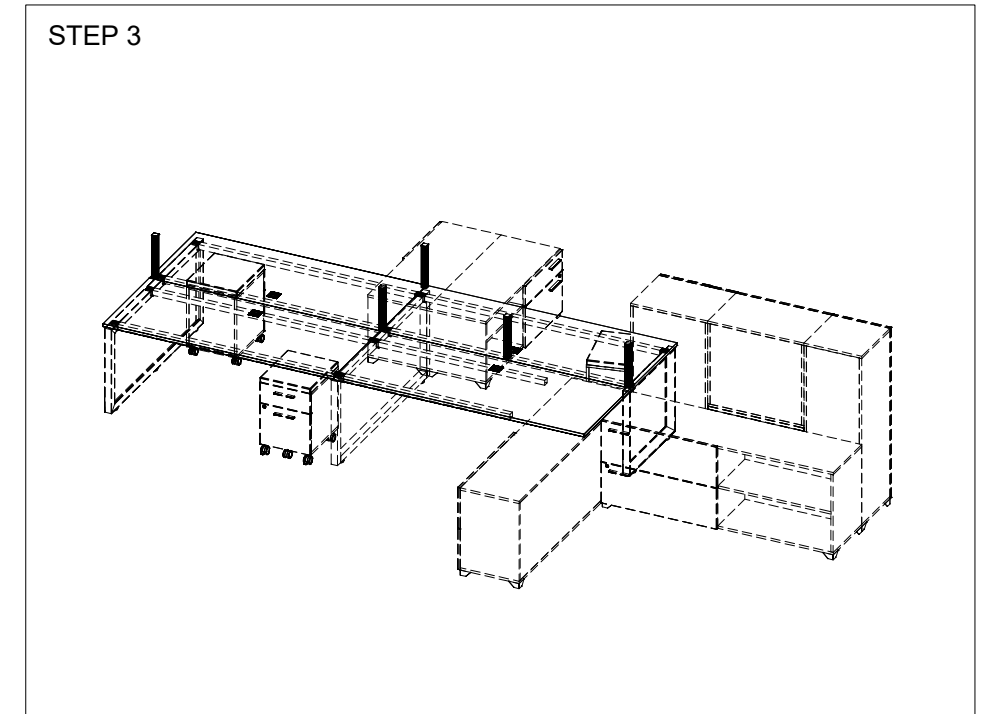
The following application guidelines provide detailed instructions for planning with the Elevation product line.

1. Position all the storages (Towers, cabinets, lateral files and cabinets).
2. Assemble all worksurface supports (gables and reinforcement bars).



installation sequence (cont'd)

3. Install the posts to the surfaces. Position all worksurfaces. Mount them to the worksurface supports or credenza.
4. Install the screens.



screen post to surface

screen post to surface

1. To install the screen post, place worksurface face down on a solid surface or floor. Place a wooden block underneath the pre-drilled holes and level the worksurface. Drill through the pre-drilled holes with a 5 mm V-point drill bit, (Figure 1).
2. Flip the worksurface and place it on top of the assembled worksurface supports or elevated surfaces with the topside facing up. Place screen post in position shown in (Figure 2). Use four screws (4) to attach the screen post to the surface.

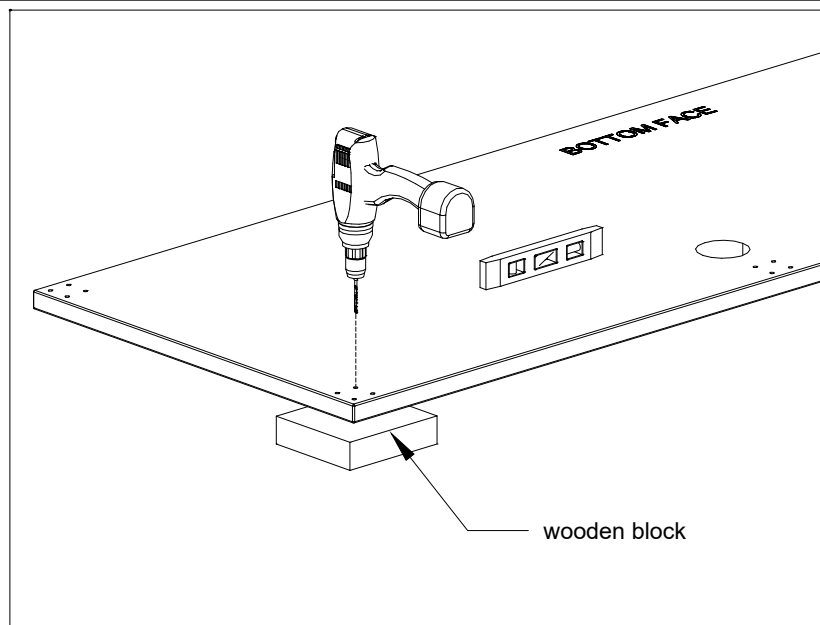


FIGURE 1

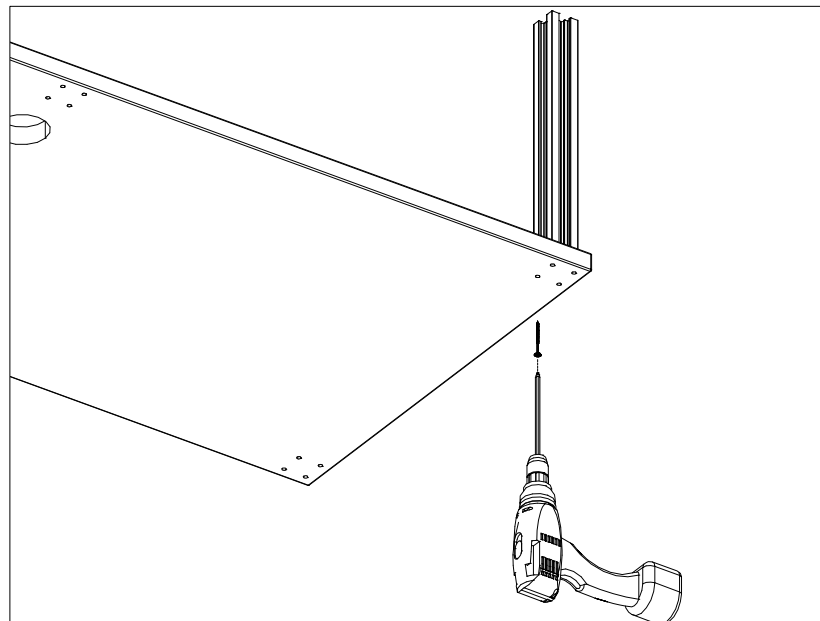
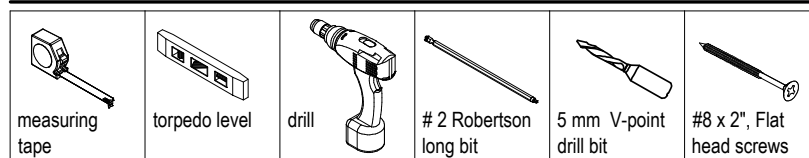


FIGURE 2

IMPORTANT NOTES:

- Do not drill all the pre-drilled holes, drill only where required as per furniture layout configuration.
- Check the layout for post positioning.

tools & hardware needed



screens to screen post

screens to screen post

1. Make sure the posts are not tightly secured to the worksurface, (Figure 1).
2. Slide the bottom screen extrusion down the screen post, (Figure 2). For felt screen installation, see "felt screen to screen post".

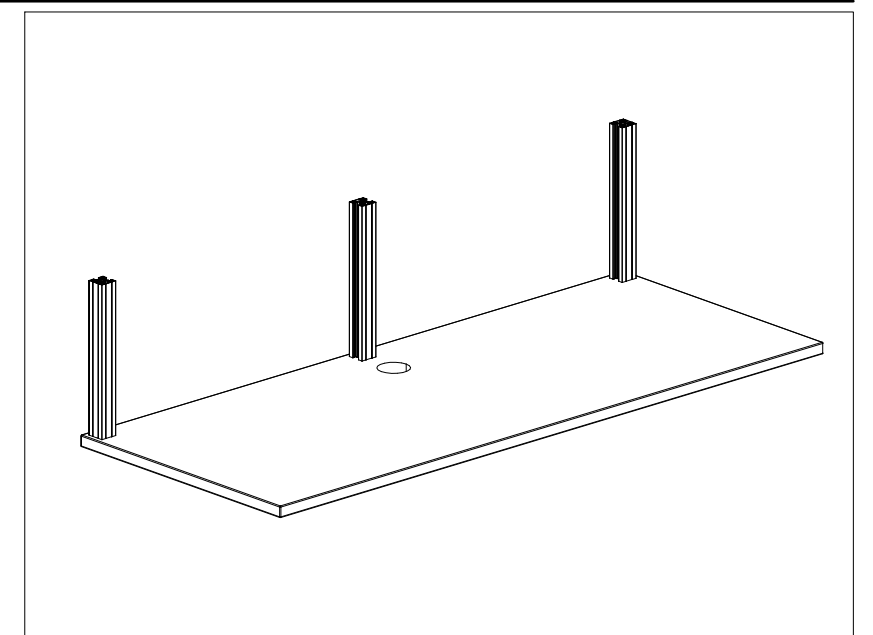


FIGURE 1

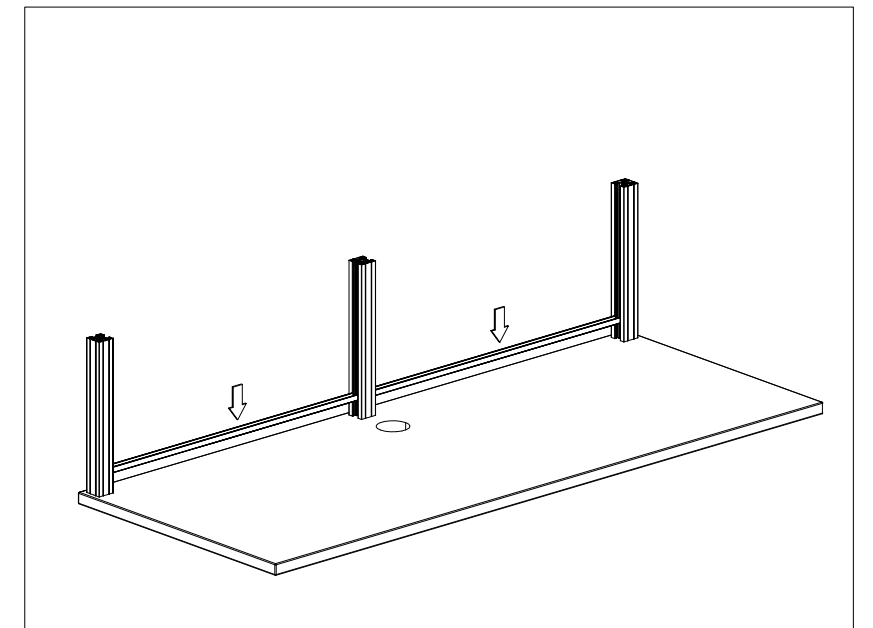
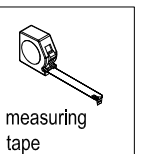


FIGURE 2

tools & hardware needed



measuring tape

screens to screen post (cont'd)

3. Insert the appropriate screen gasket into the screen post grooves, (Figure 3). Slide the gasket down the screen post until it bottoms out.
4. Slide the screen into the gaskets within the posts, (Figure 4).

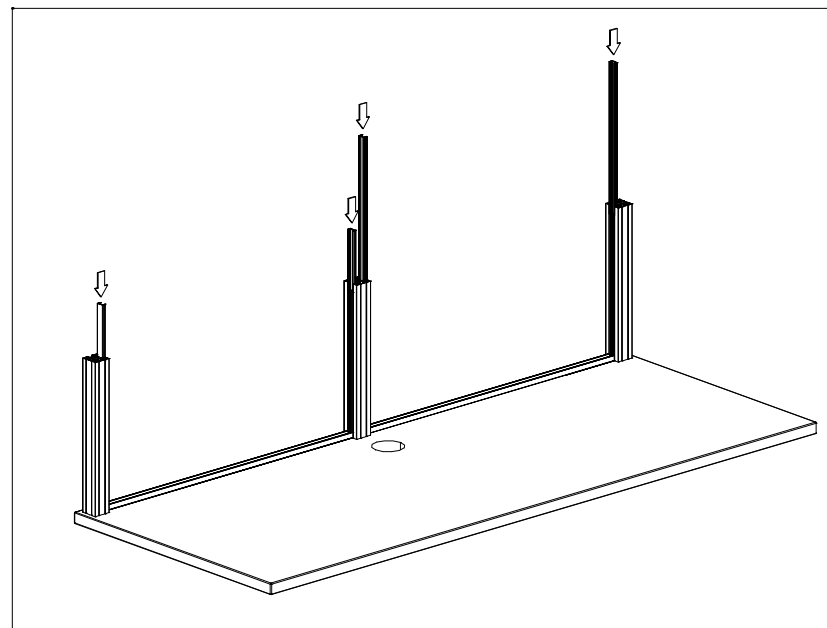


FIGURE 3

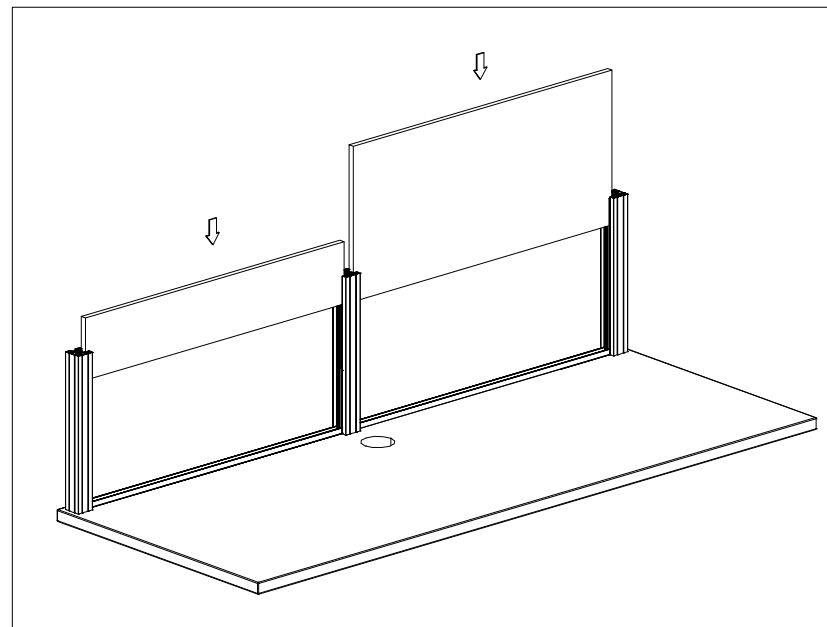
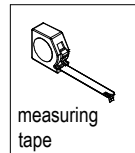


FIGURE 4

tools & hardware needed



screens to screen post (cont'd)

5. Place the top screen extrusion on top of the screen.
6. Repeat steps 3 to 5 until all screens are in position except accessory screen shown in (Figure 5).

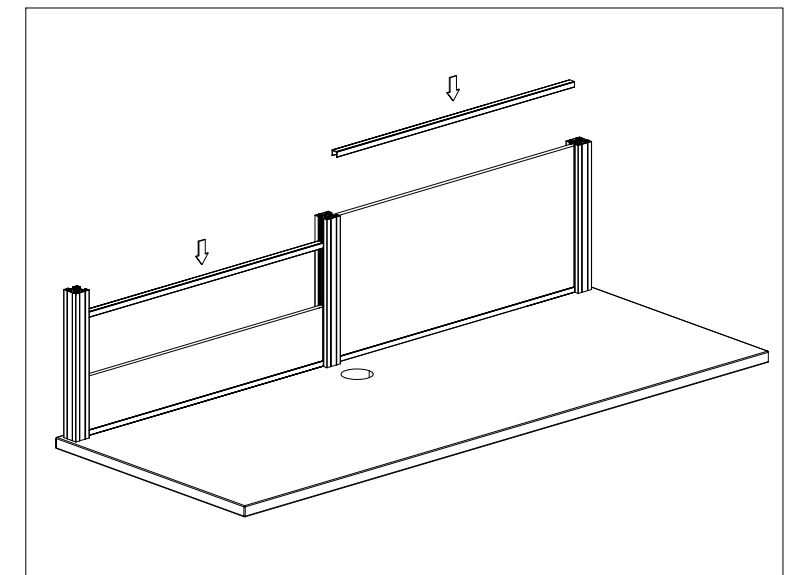


FIGURE 5

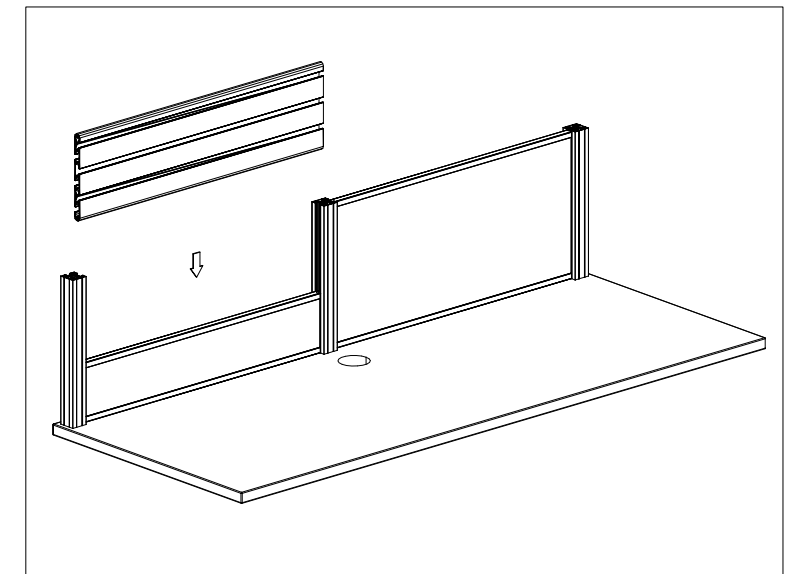
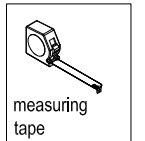


FIGURE 6

tools & hardware needed



scene 18

SEPTEMBER 2015

screens to screen post (cont'd)

- Place the post top cap shown in (Figure 7).

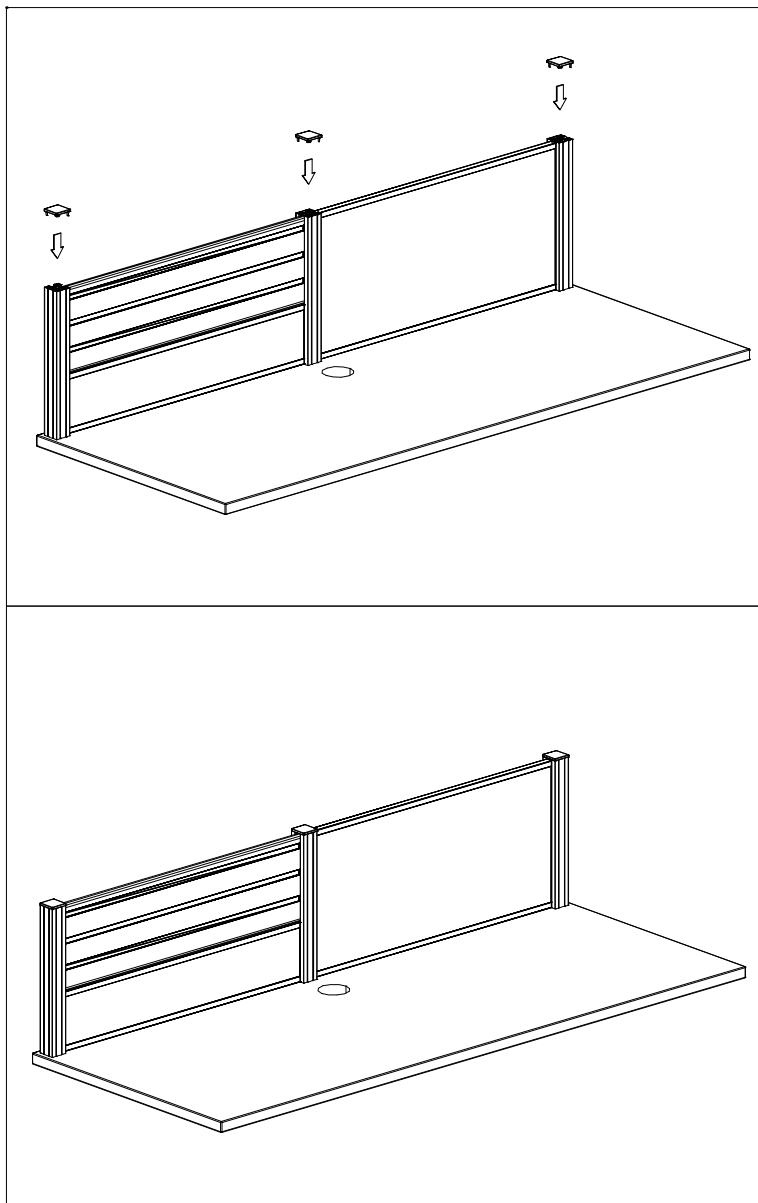
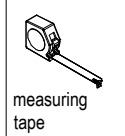


FIGURE 7

tools & hardware needed



end reinforcement bars to open center gable

- Slide the bottom extrusion sideways, (Figure 1).
- Slide the appropriate screen gasket down the felt screen, (Figure 2).

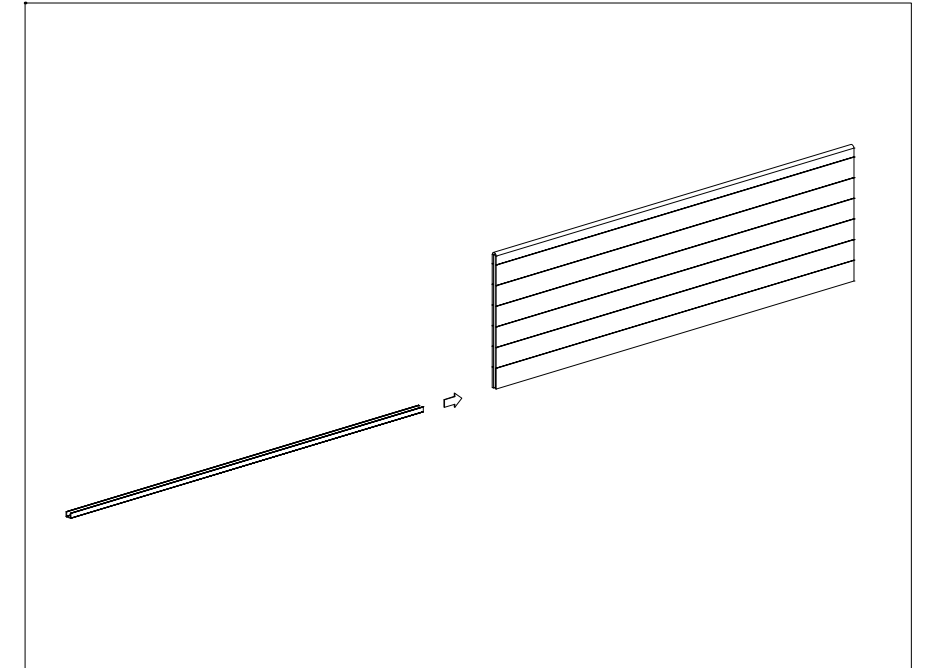


FIGURE 1

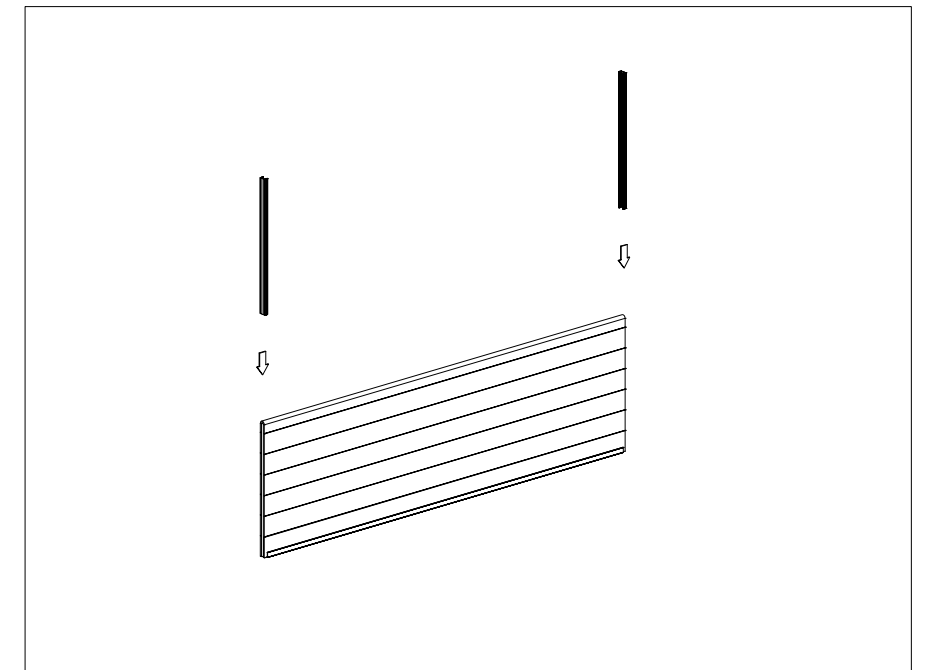
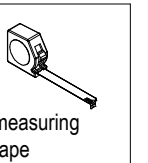


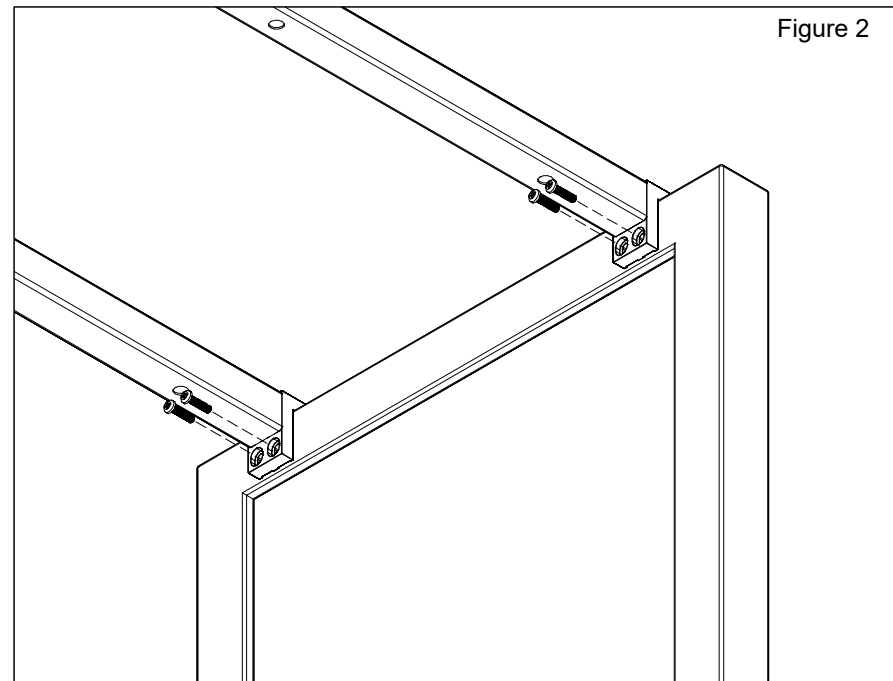
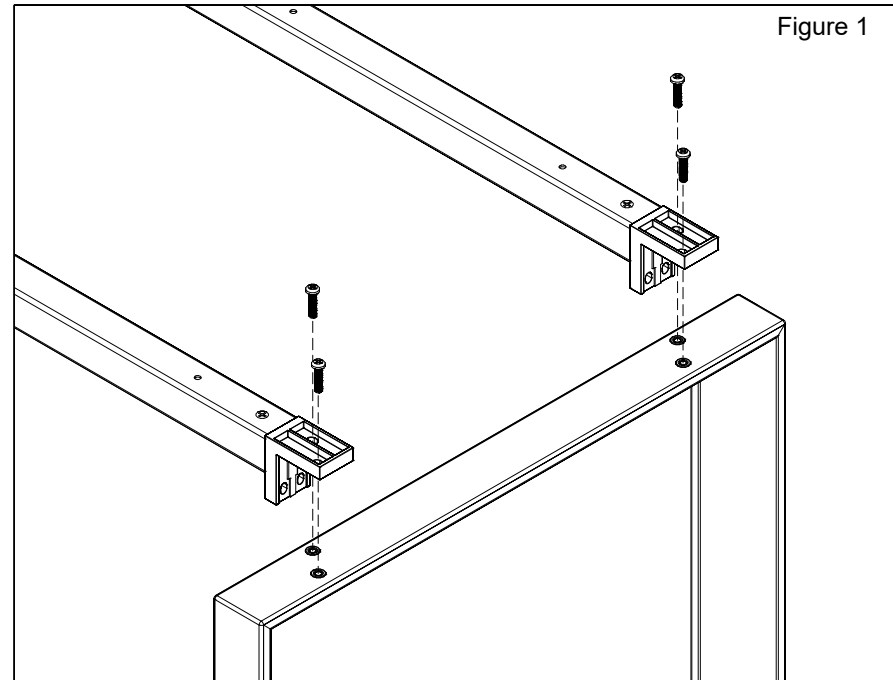
FIGURE 2

tools & hardware needed


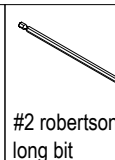



shared reinforcement bars to open center gable

1. Ensure that the connector at the ends of the reinforcement beam is firmly attached; tighten the screws as necessary.
2. Attach the end connector to the end gable with 1/4 #20 1-inch quadrex pan head screws above, (Figure 1) and at the bottom, (Figure 2).
3. Proceed to attach the other end of the reinforcement bar to the required gable.

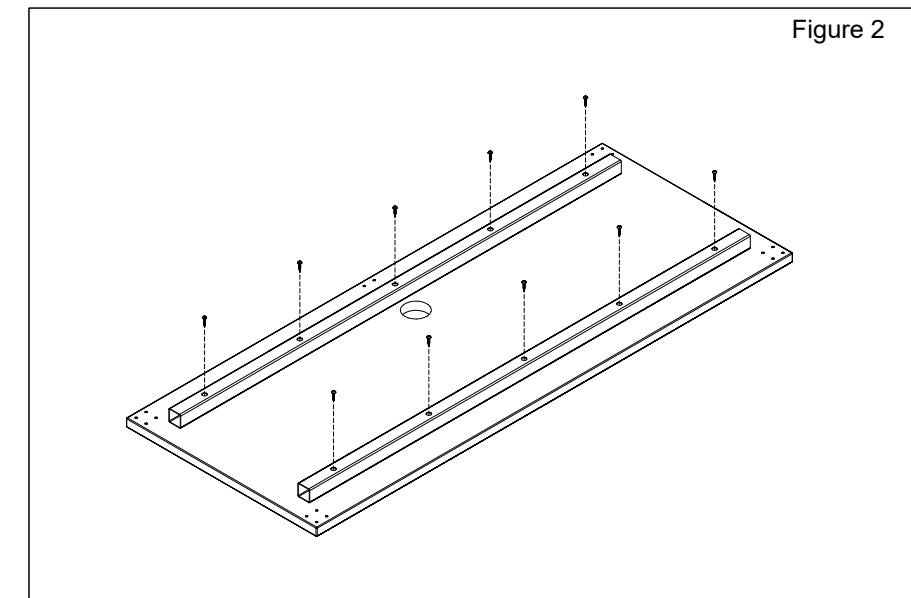
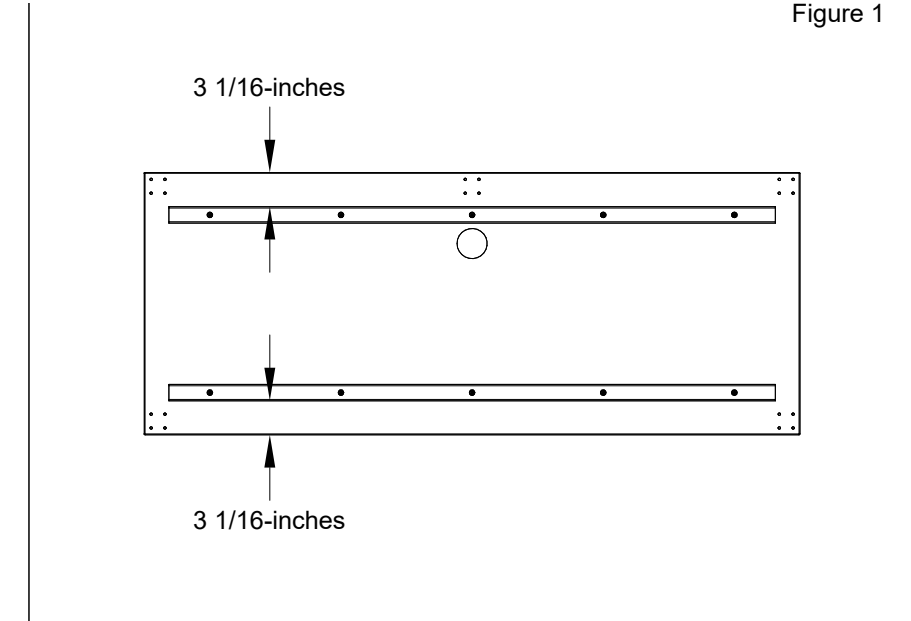


tools & hardware needed

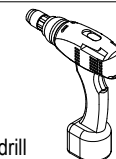
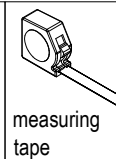
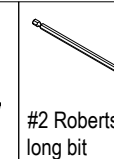
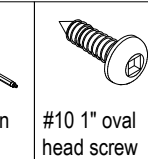
 drill	 #2 robertson long bit	 1/4 #20; 1" quadrex pan head screw
---	--	---

no connector reinforcement bars to worksurface

1. Position the no connector reinforcement bars 3-1/16 inches from the edge of the worksurface, (Figure 1).
2. Attach the no connector reinforcement bars to the worksurface with #10; 1-inch oval head screws (Figure 2).

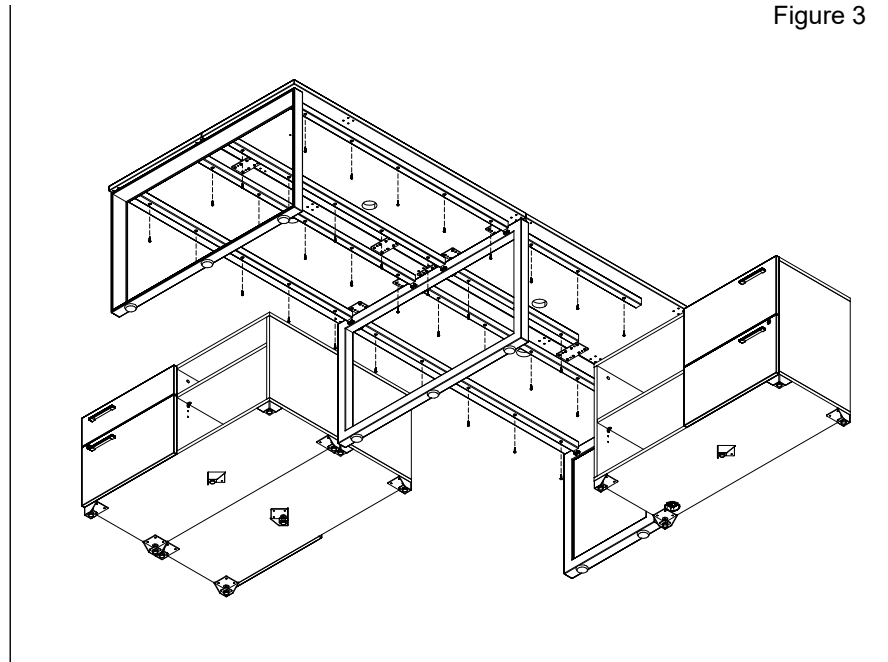


tools & hardware needed

 drill	 measuring tape	 #2 Robertson long bit	 #10 1" oval head screw
--	---	--	---

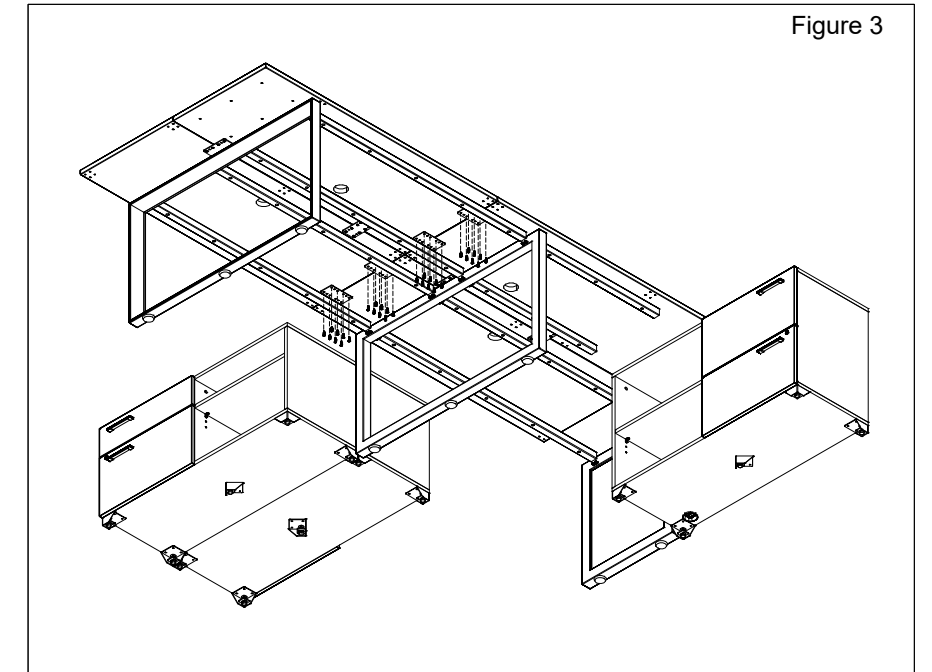
worksurface to worksurface flush plate

1. With the worksurface assembled; secure the worksurface to the reinforcement beams with #10; 1-inch oval head screws, (Figure 1).

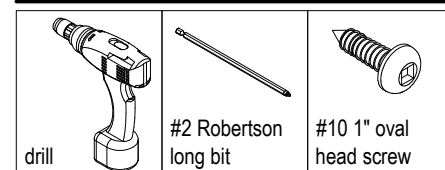


3. Move the worksurface to one side and secure the remaining worksurfaces with flush plates and #10; 1-inch oval head screws, (Figure 3).

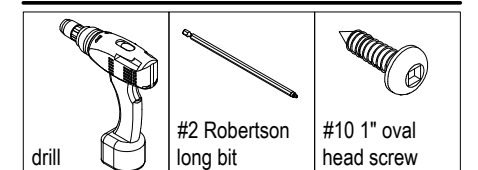
worksurface to worksurface flush plate (cont.)



tools & hardware needed

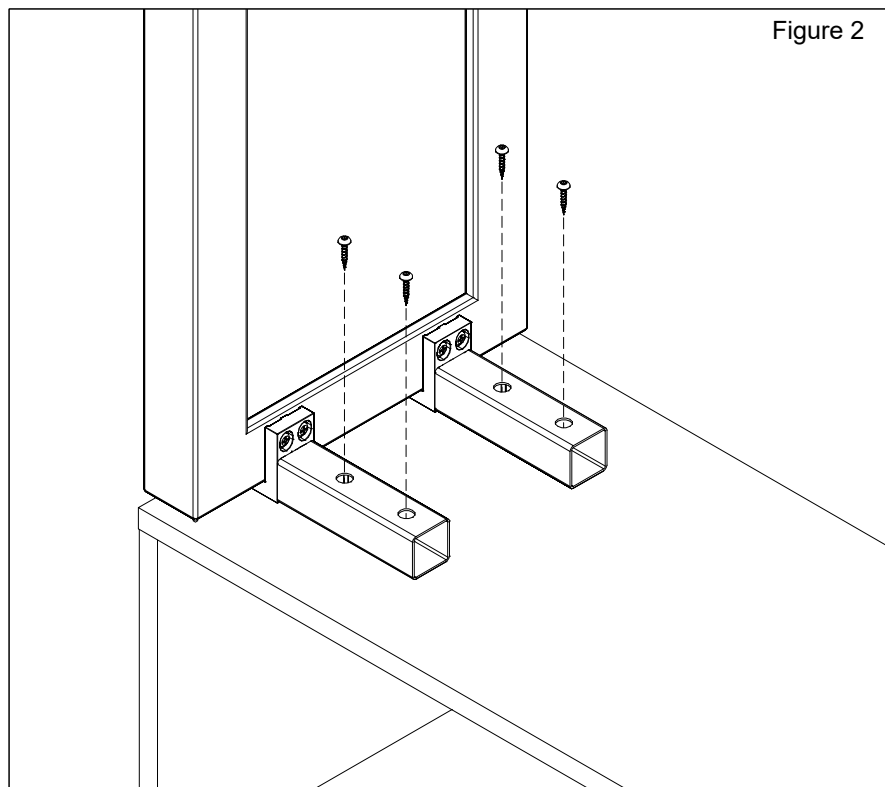
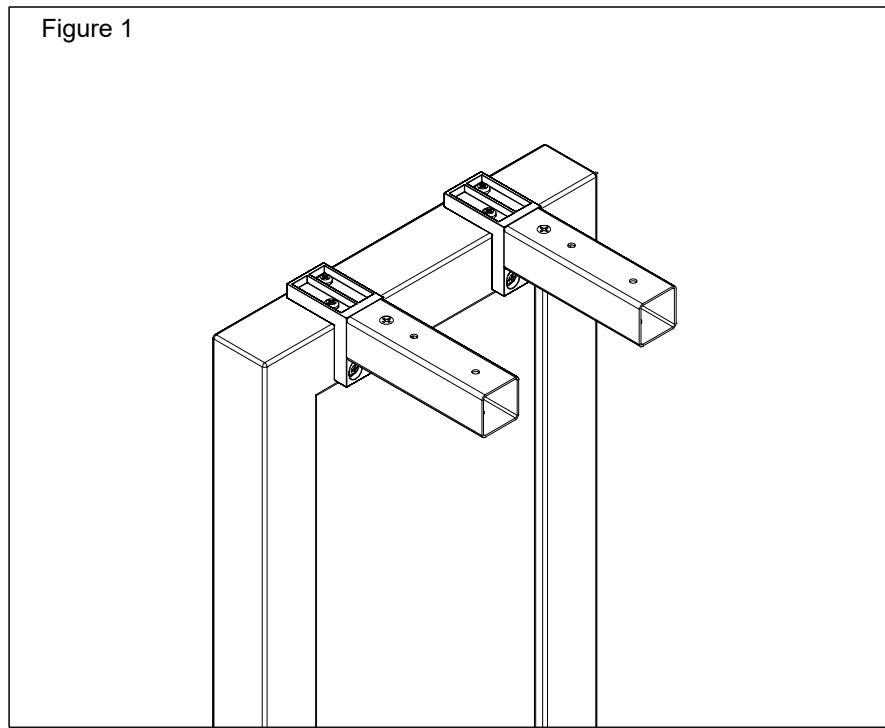


tools & hardware needed



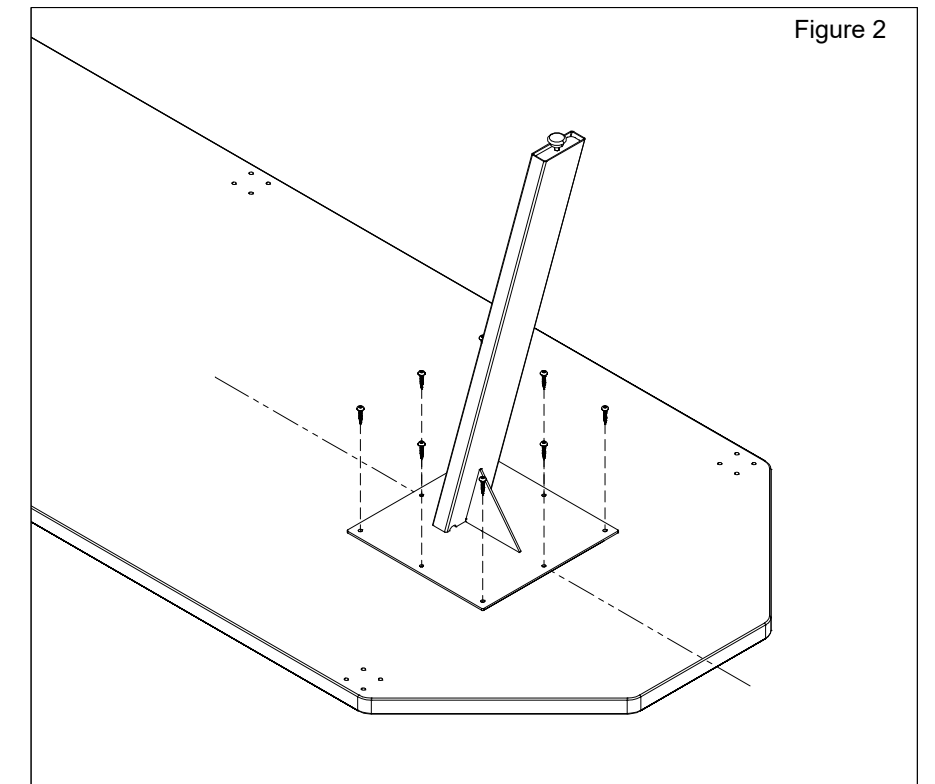
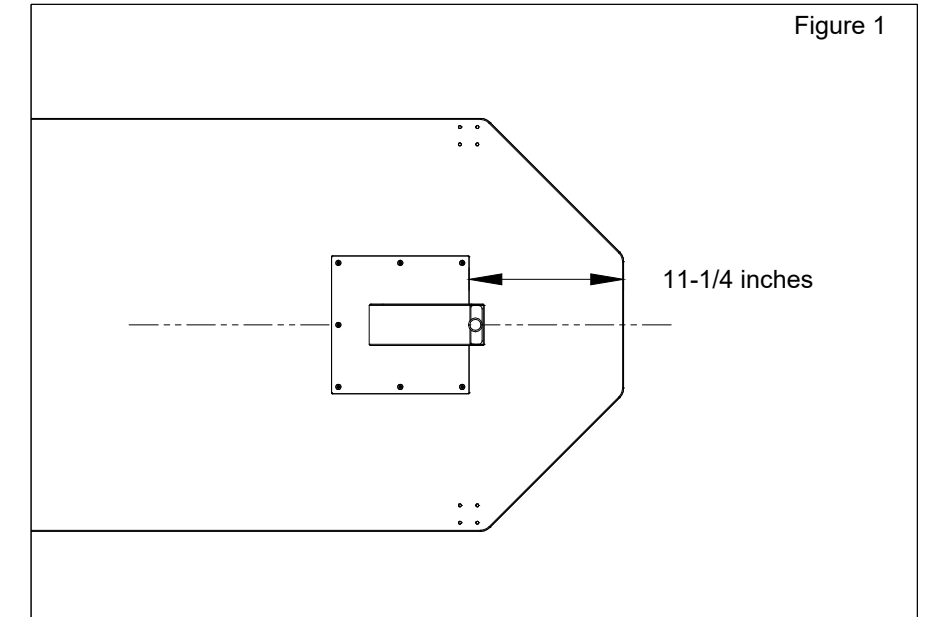
flag storage installation

1. Install the required reinforcement beam to the flag storage support; following the instructions for end reinforcement bars to open end gables, (Figure 1; short beam shown).
2. Attach the the flag storage support with reinforcement to the bottom of the flag storage with 11/16-inch oval head screws, (Figure 2).

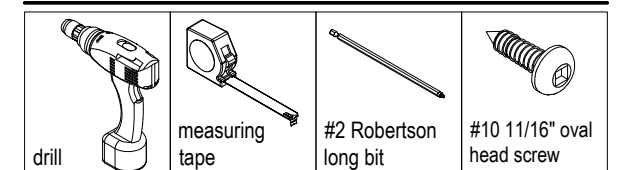


single post support

1. Position the single post support at the center of the surface and measure 11-1/4 inches from the edge of the support plate to the edge of the surface (Figure 1; D-top shown).
2. Secure the single post support with #10; 11/16-inch oval head screws, (Figure 2).

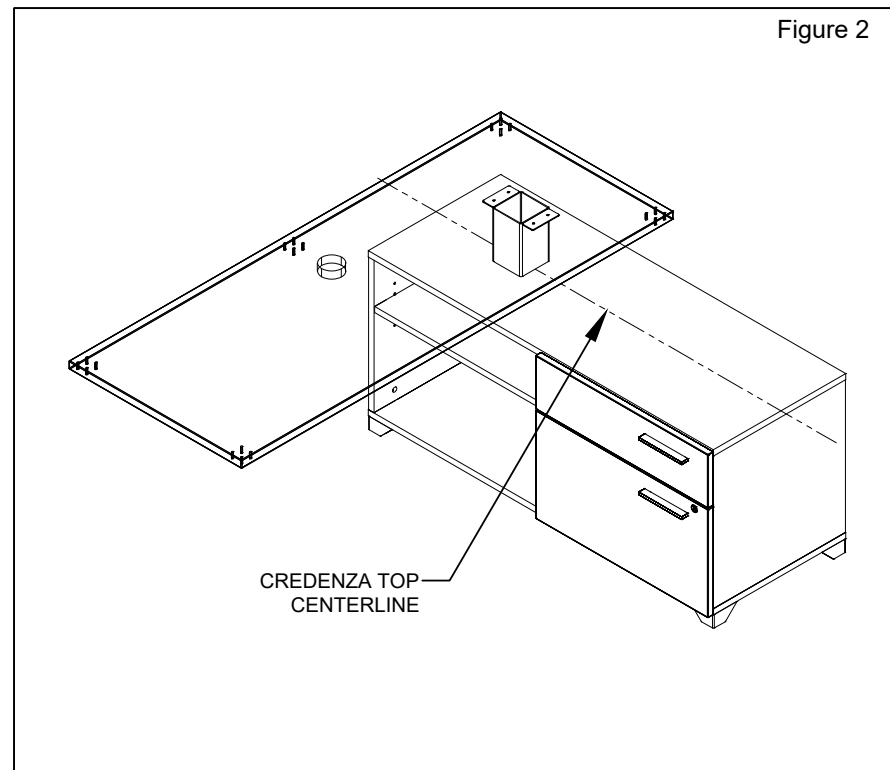
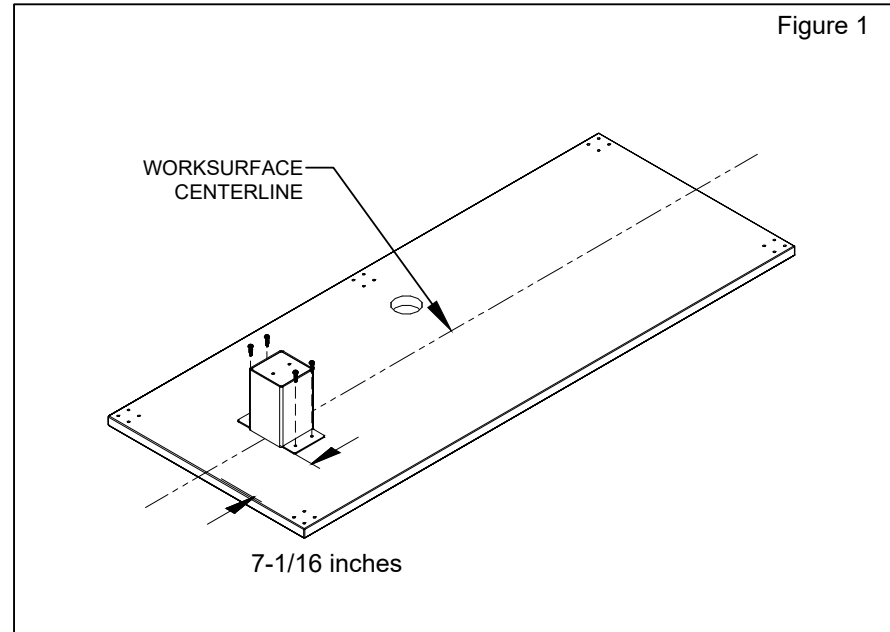


tools & hardware needed

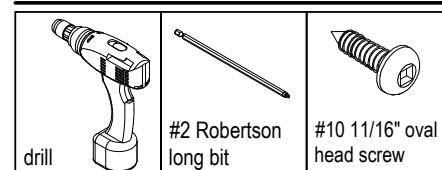


low credenza to worksurface fixed support

1. Along the center of the worksurface, install the low credenza worksurface support 7-1/16 inches from the edge of the worksurface with #10; 11/16-inch oval head screws (Figure 1).
2. Mount the worksurface above the credenza and secure the reinforcement beams to the surface (Figure 2).

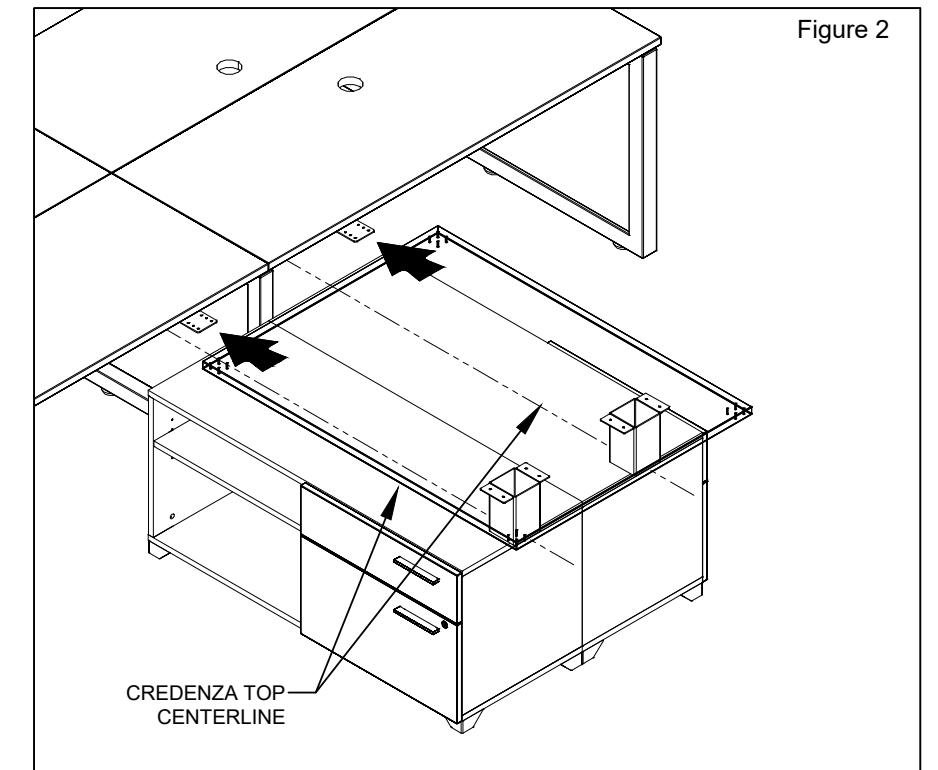
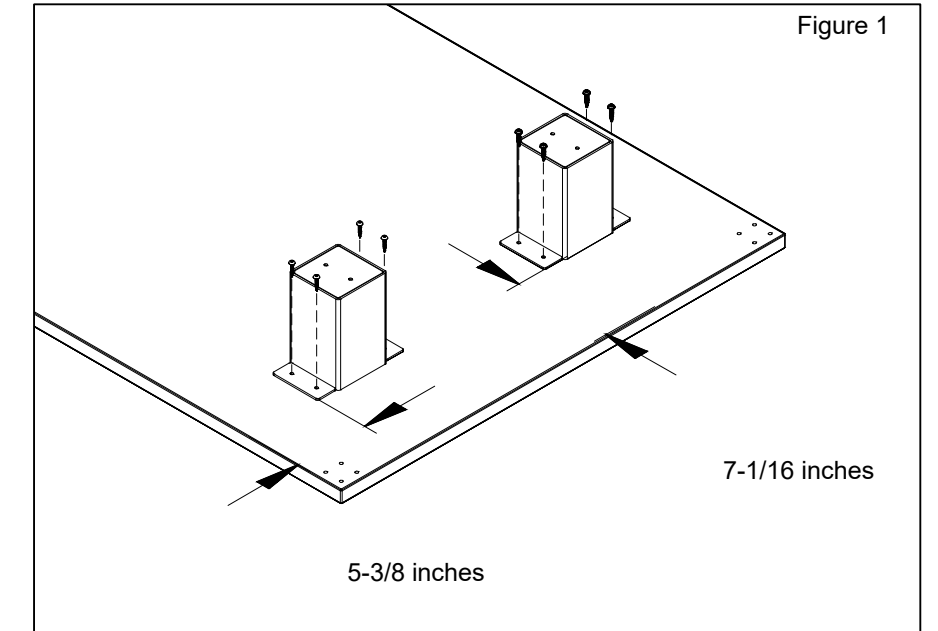


tools & hardware needed

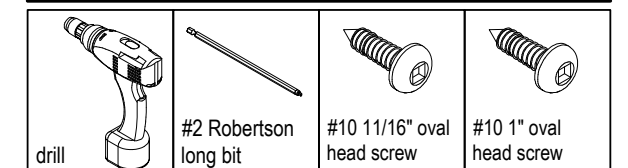


low credenza to wide worksurface fixed support

1. Install two low credenza worksurface supports 5-3/8 and 7-1/16 inches from the edge of the worksurface with #10; 11/16-inch oval head screws (Figure 1).
2. Mount the worksurface above the credenza and secure the flush plates to the surface with #10; 1-inch oval head screws (Figure 2).
3. Align the credenza to the worksurface.

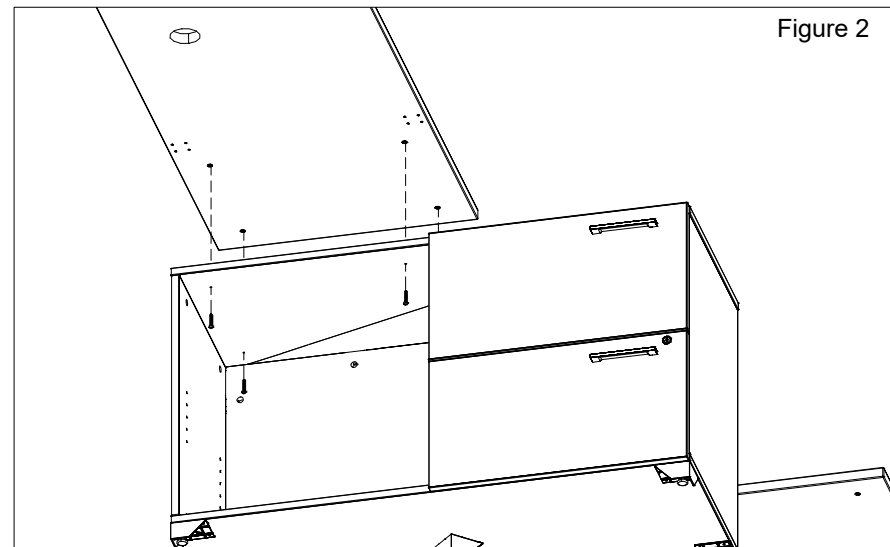
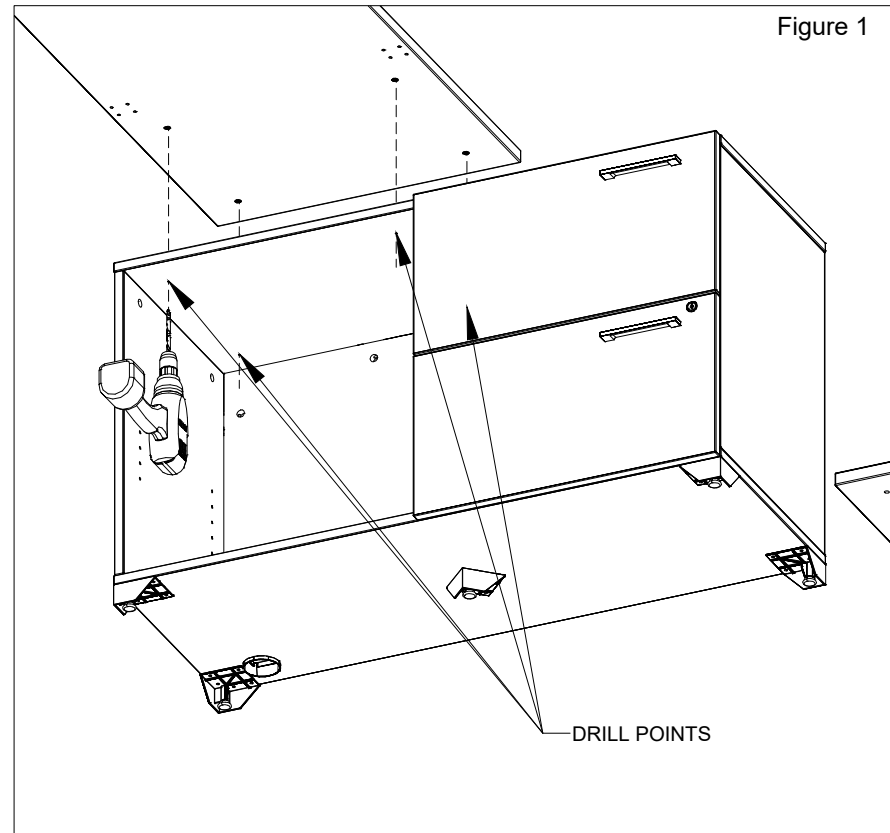


tools & hardware needed

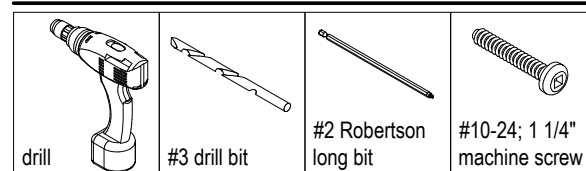


worksurface to high credenza installation

1. From the inside of the credenza, drill through the top following the corresponding drilling points to match the inserts on the required worksurface depth, (Figure 1).
2. Secure the worksurface to the high credenza with #10-24; 1-1/4 inch machine screws, (Figure 2).

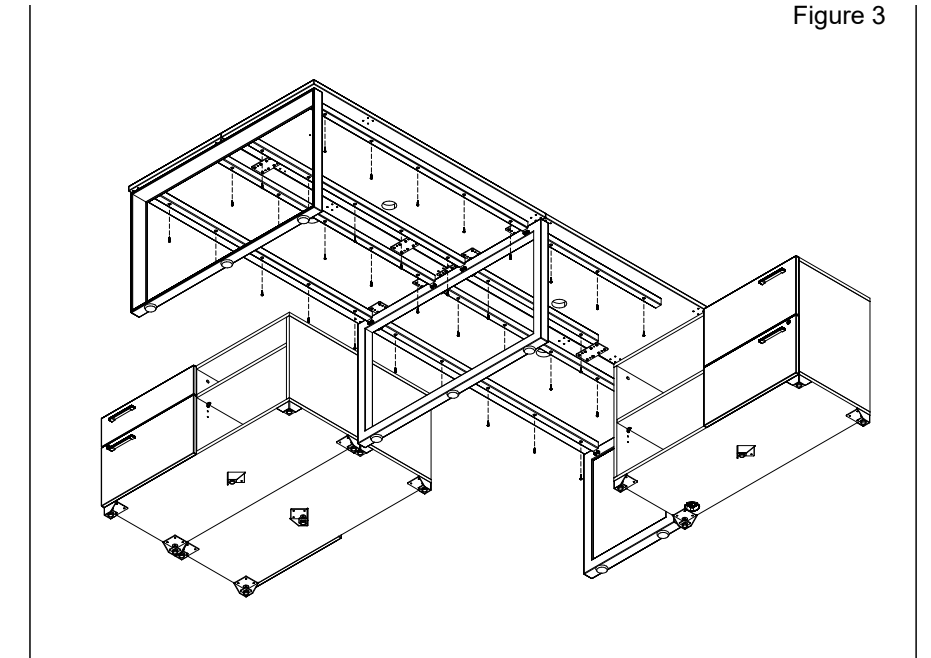


tools & hardware needed

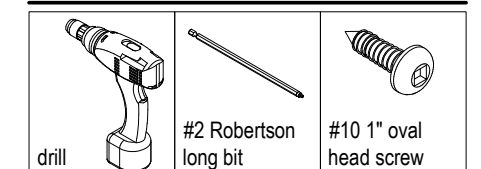


reinforcement beams to worksurface

1. With the worksurface assembled; secure the worksurface to the reinforcement beams with #10; 1-inch oval head screws, (Figure 1).



tools & hardware needed



front inset spacer to high credenza installation

1. Remove the drawers from the credenza by disengaging the safety lock on the sides of the drawer, (Figure 1).
2. From the inside of the credenza, drill through the top following the corresponding drilling points to match the required worksurface spacer, (Figure 2).

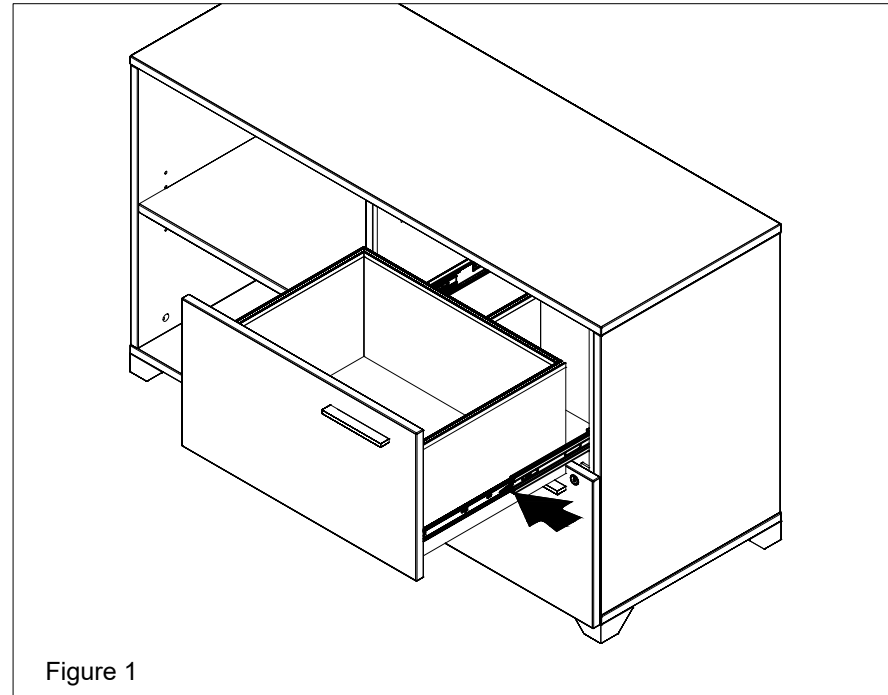


Figure 1

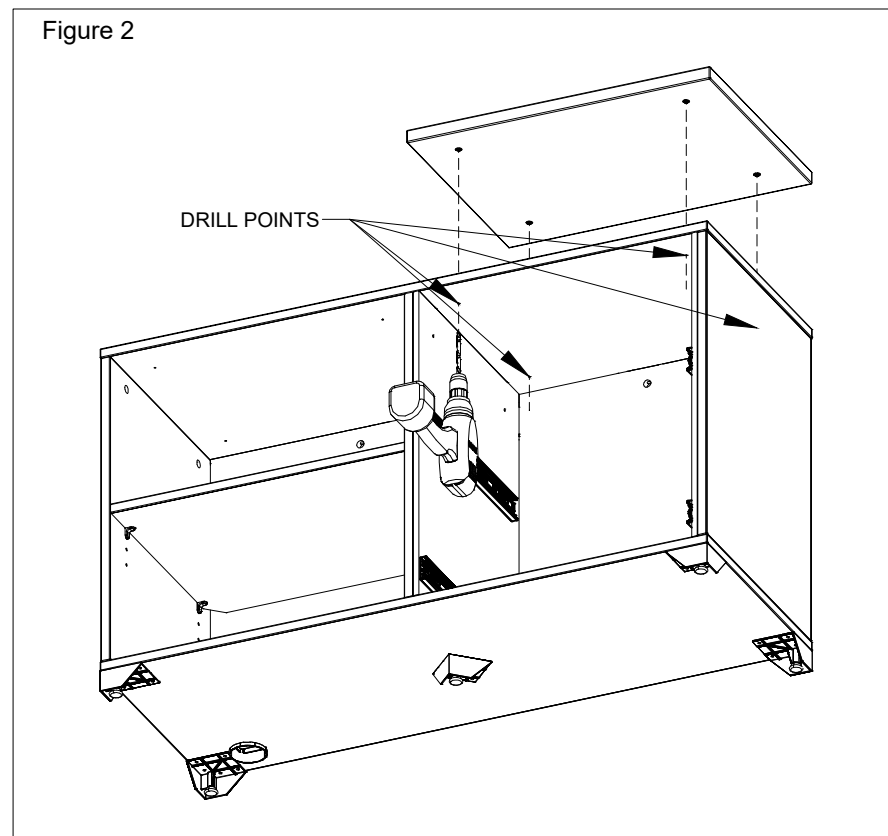


Figure 2

front inset spacer to high credenza installation (cont'd)

3. Figure 3 shows the bottom of the spacer with the inserts spaced 3 inches at the back and 2-1/2 inches in front.
4. Secure the inset spacer to the credenza with #10-24; 1-1/4 inch machine screws, (Figure 4).

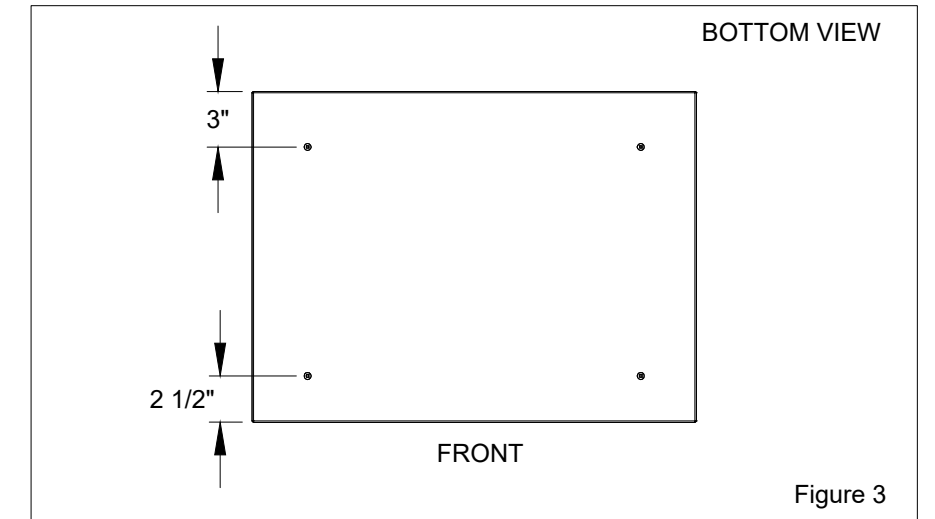


Figure 3

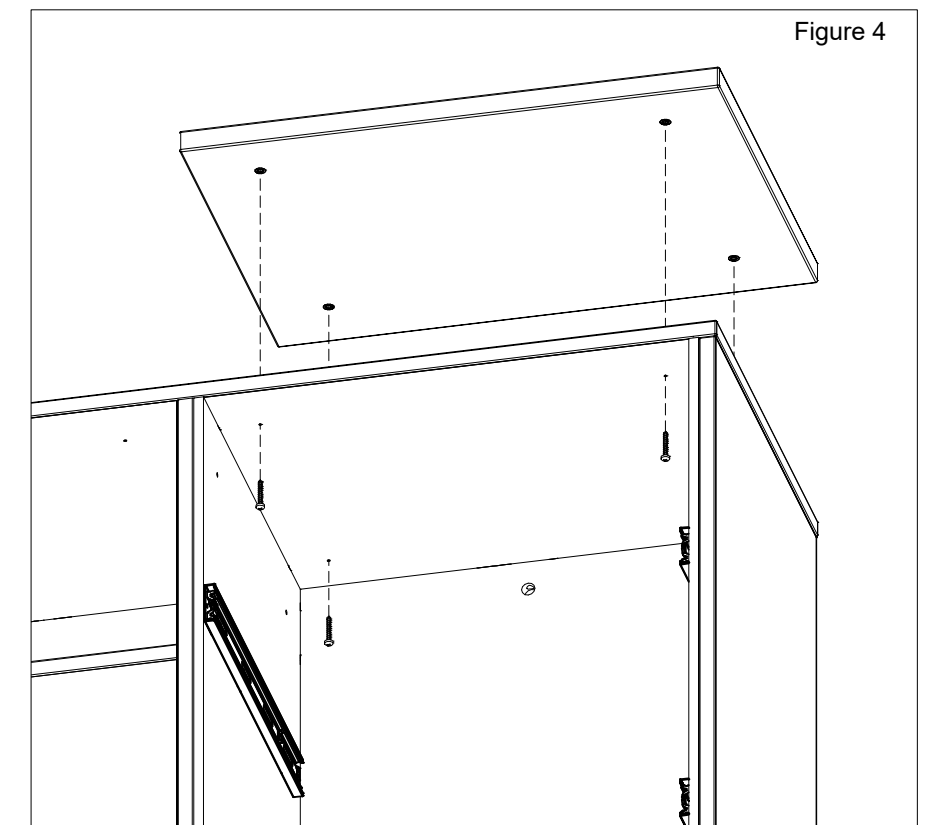
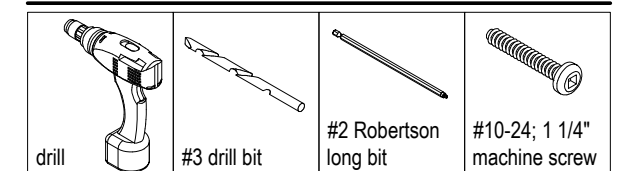


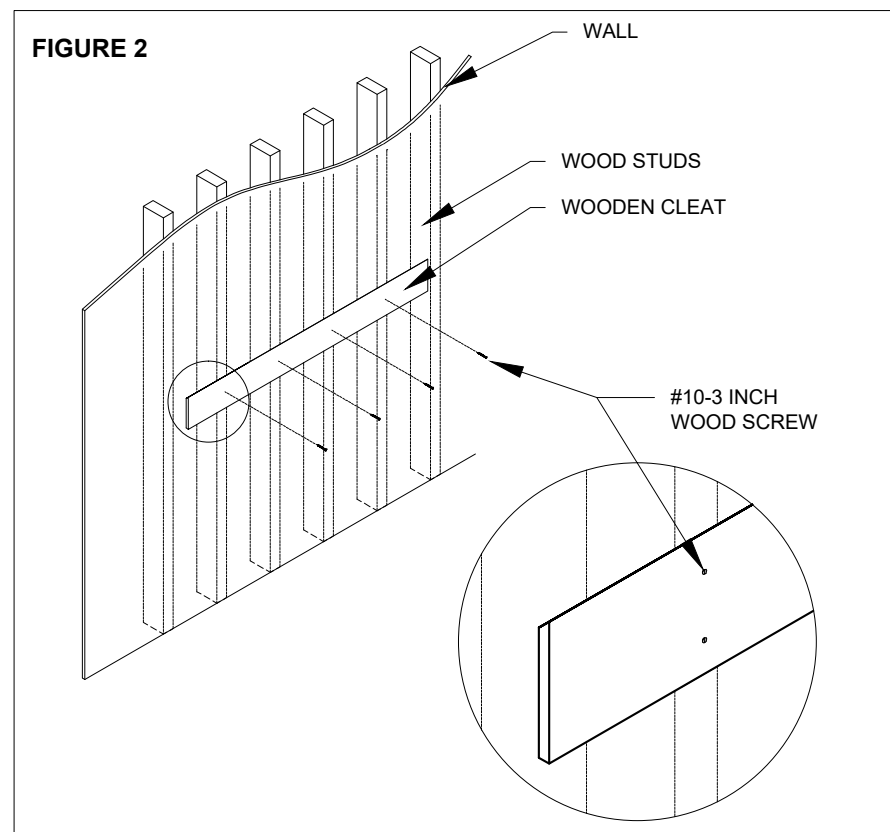
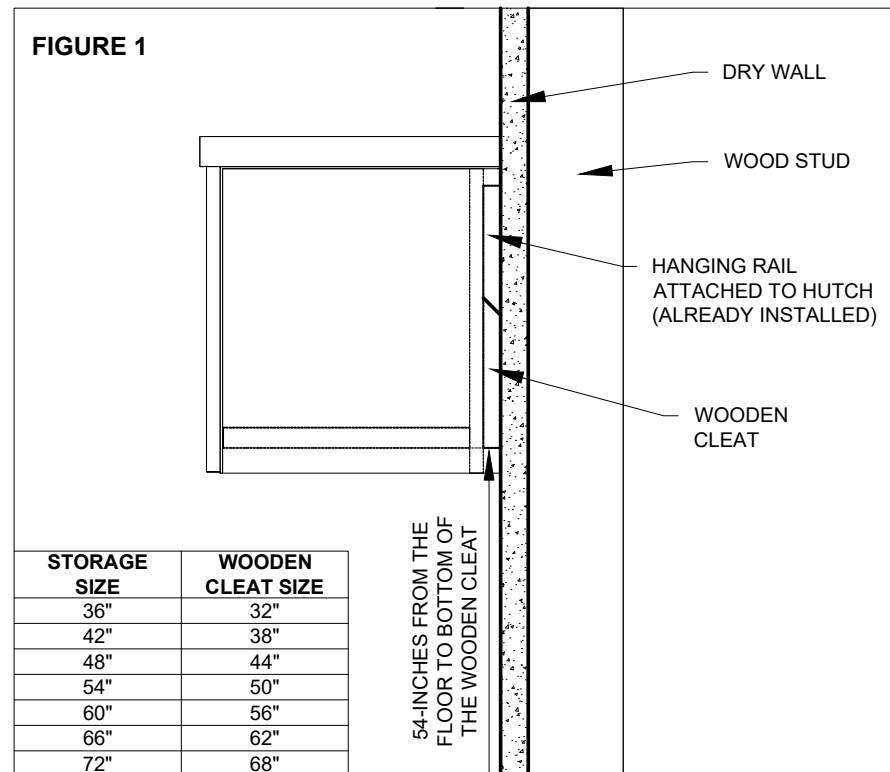
Figure 4

tools & hardware needed



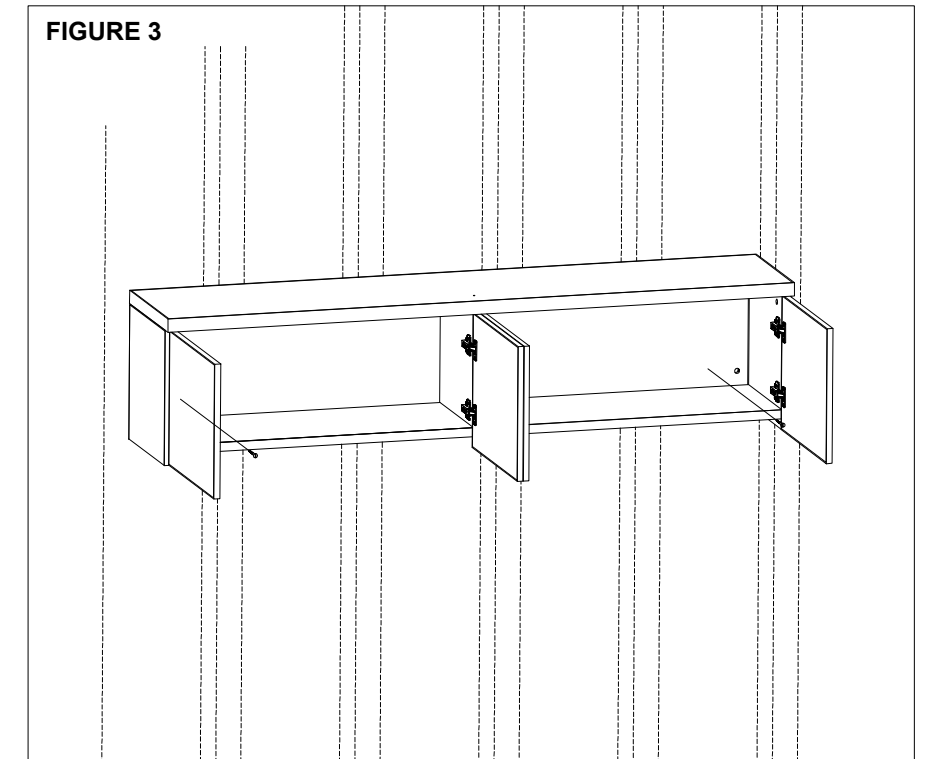
overhead storage - attachment to dry wall with wood studs

1. Find the location of the studs with a stud finder; make marks on the wall.
2. Mark the location of the wooden cleat on the wall and position it to the previously marked studs. The recommended height is 54-inches from the floor to the bottom of the wooden cleat. Use the following size as a guide for mounting the wooden cleats on the wall listed in Figure 1.
3. Level the wooden cleat and attach it to studs with #10, 3-inch wood screws, (Figure 2).



overhead storage - attachment to dry wall with wood studs (cont'd)

4. Hang the hutch over the installed wooden cleat.
5. Secure with #10, 3-inch wood screws from the inside back panel of the hutch through the wooden cleat, (Figure 3).



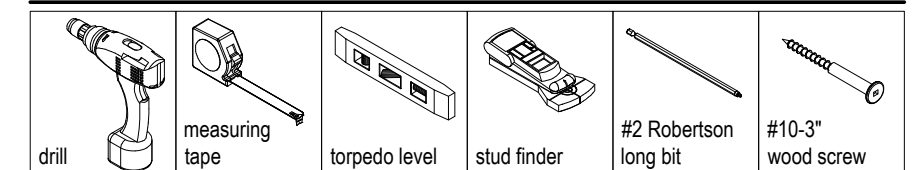
! WARNING

It is the owner's responsibility to ensure that the wall type and construction is of sufficient strength to carry the loads of the overhead storage unit and its contents. Failure of the wall to support all imposed loads may result in property damage and/or personal injury. When in doubt, the use of other methods of storage such as freestanding storage units, hutches and bookcases is strongly recommended.

NOTES:

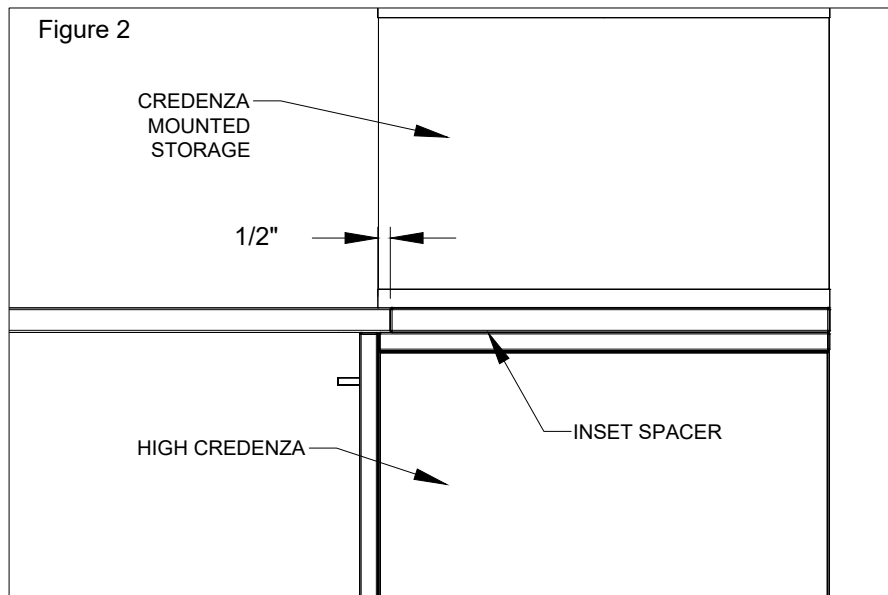
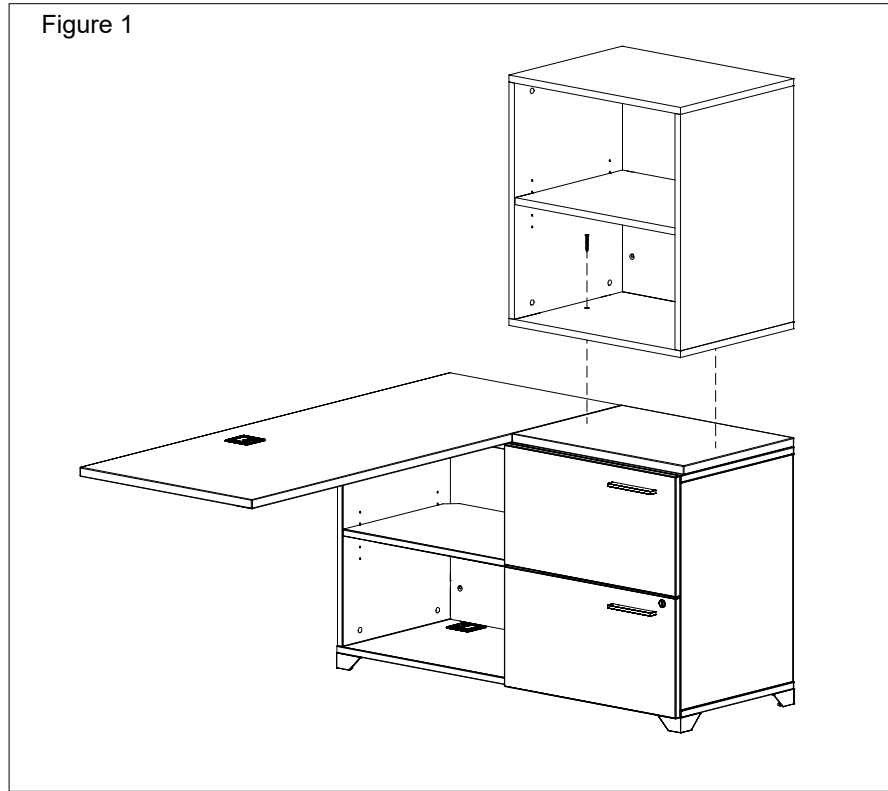
- > use 6 screws for hutches w/o dividers (48-inches and 54-inches wide) and 8 screws for hutches with dividers (60-inches, 66-inches and 72-inches wide).
- > make sure no electrical wires are on the way of the screws.

tools & hardware needed

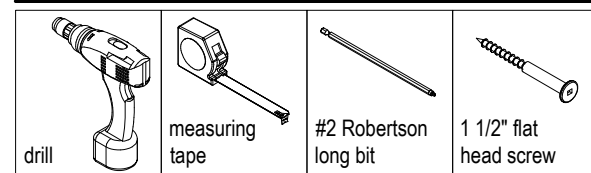


credenza mounted storage to high credenza installation

1. Secure the credenza mounted storage to the spacer with two 1-1/2 inch flat head screws, (Figure 1).
2. The credenza mounted storage is mounted with 1/2 inch space at the front of the credenza; flush on the sides and at the back, (Figure 2).



tools & hardware needed



surface mounted screen

1. Position the surface mounted screen to the worksurface (Figure 1).
2. Attach the surface mounted screen to the underside of the worksurface using #10 1" oval head screws (Figure 2).

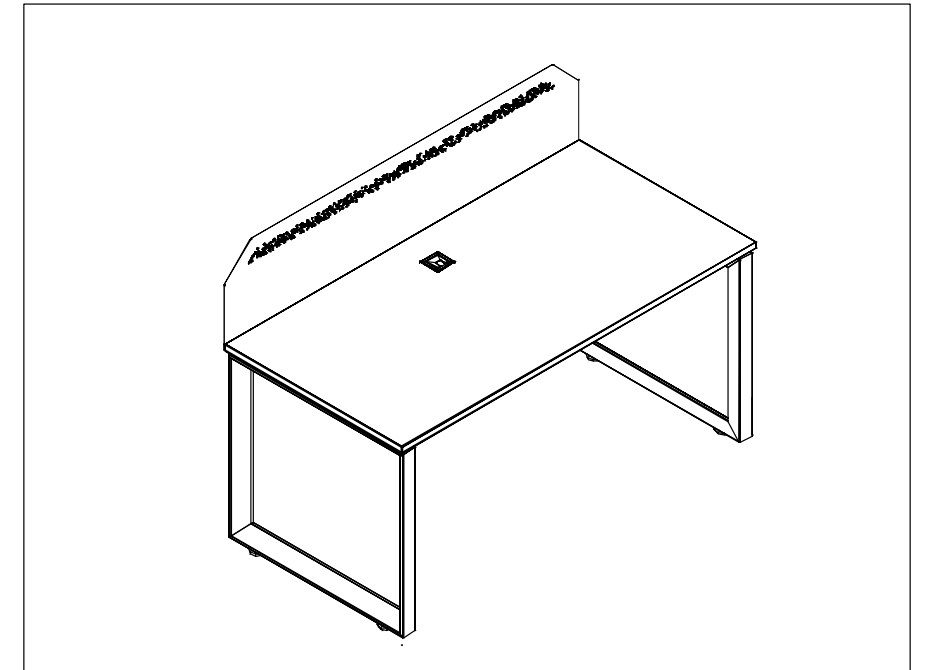


FIGURE 1

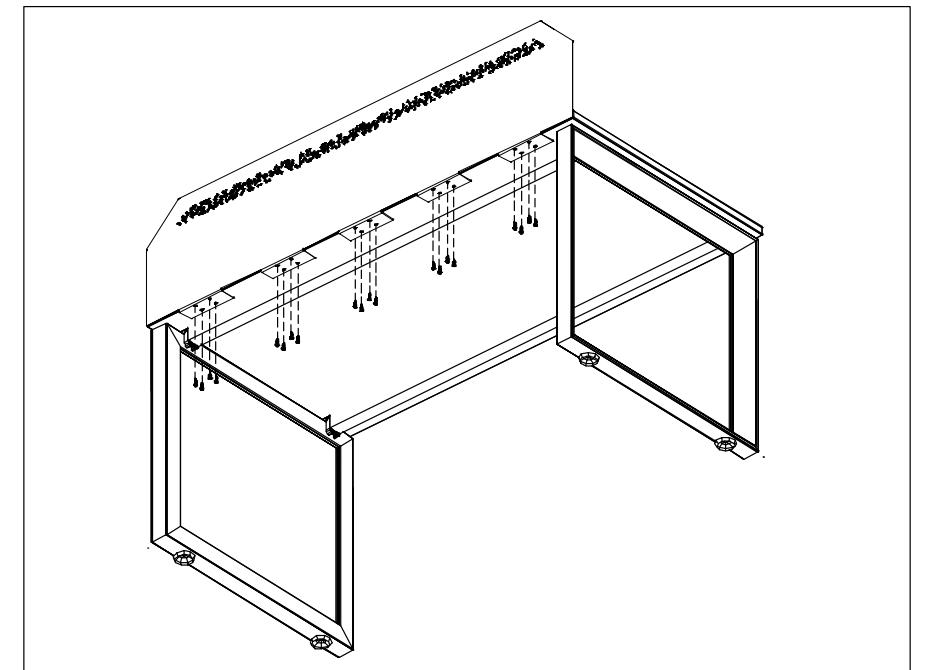
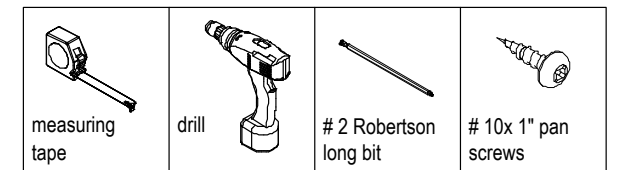


FIGURE 2

tools & hardware needed



trough mounted modesty screen

1. Position the trough mounted modesty screen.
2. Attach the trough mounted modesty screen to the wire management trough using 1/4-20 round head screws with three washers on each screw (Figure 1).

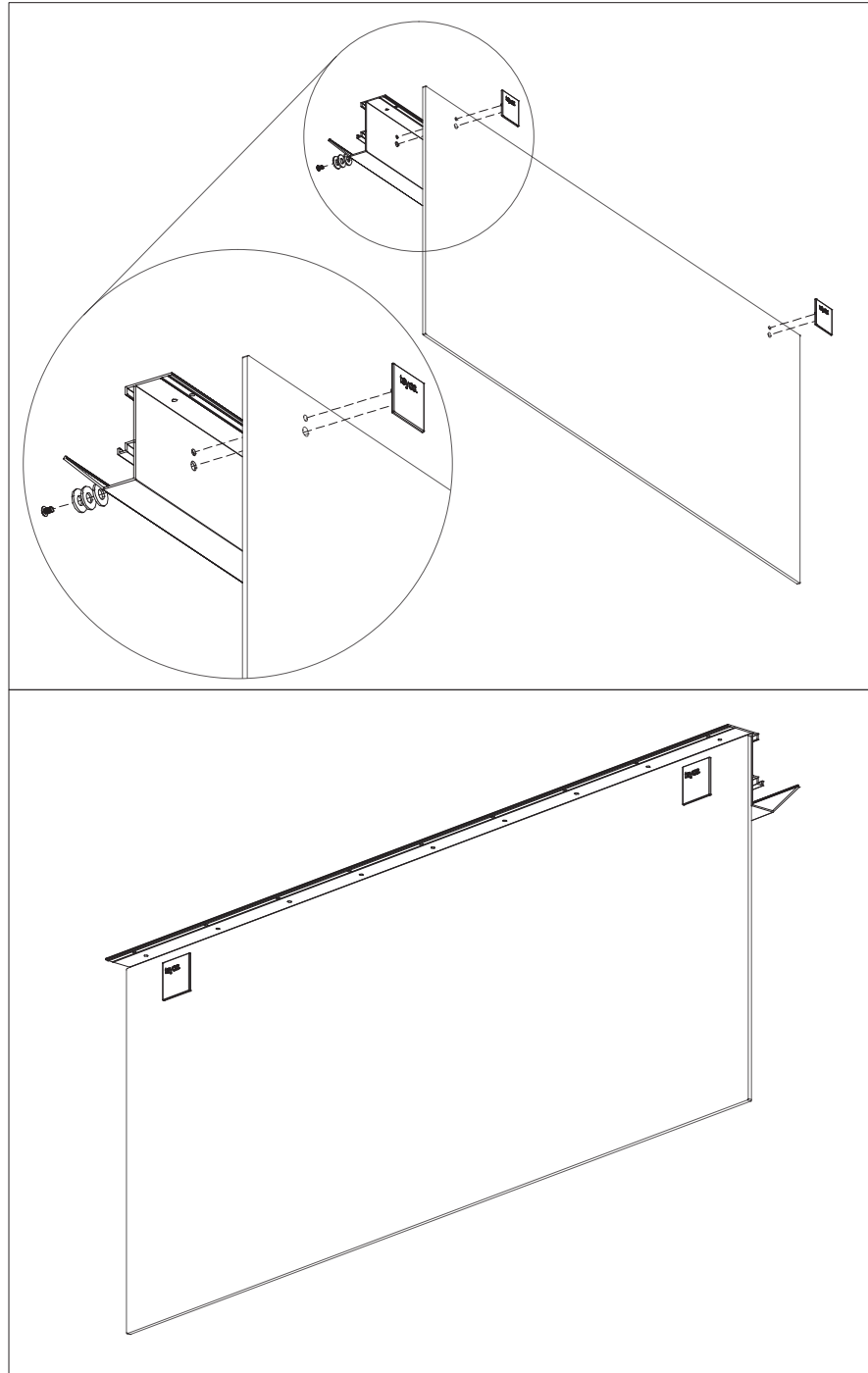
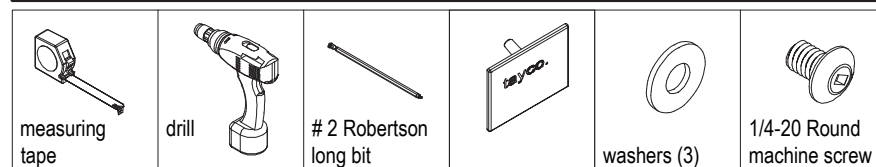


FIGURE 1

tools & hardware needed



wire management trough to surface

The wire management trough mounts to the underside of a reinforcement bar to manage power and communication cables horizontally below the worksurface level. Also, the power and/or communication box can be mounted to channels on the trough.

1. Ensure the worksurface is properly supported and all brackets are secured.
2. Position the worksurface wire management trough at the specified location (Figure 1). Use #10 1" oval head screws to attach the wire management trough to the underside of the worksurface (Figure 2).

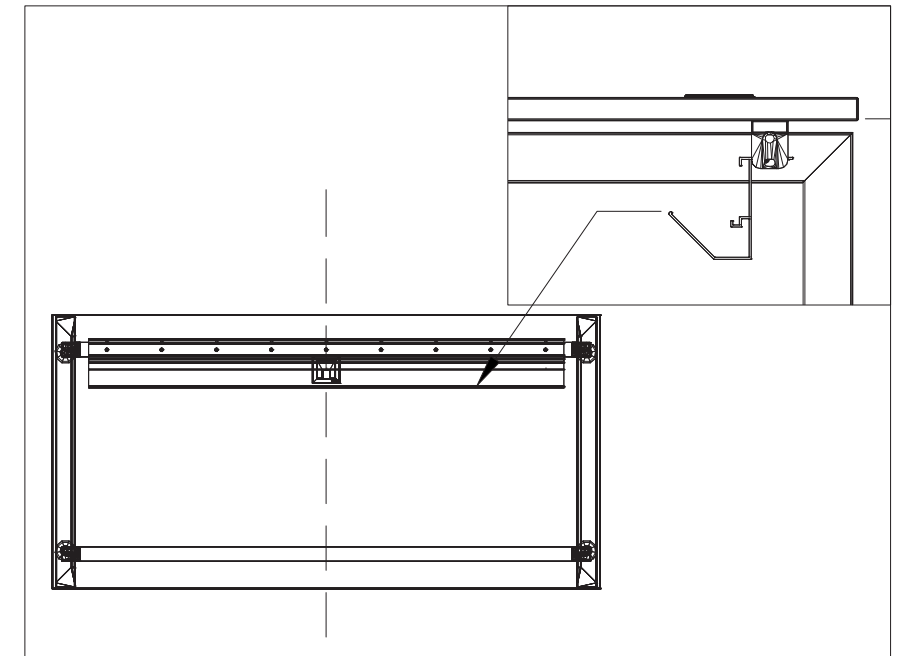


FIGURE 1

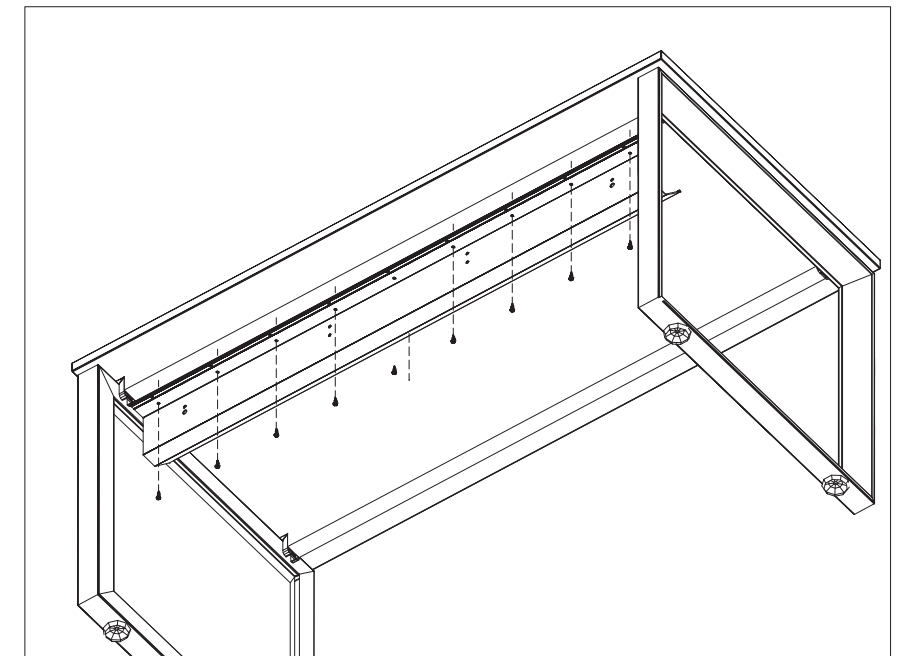
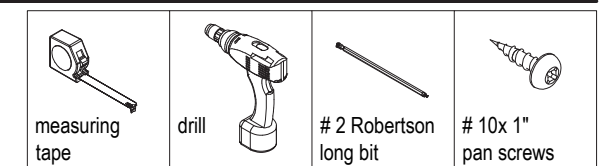


FIGURE 2

tools & hardware needed



power pole installation

The power pole is attached to the open gables to manage cables from the ceiling to a workstation below the worksurface level.

1. Attach brackets to the open end gable using #10-5/8" pan self drilling screws.
2. Inspect ceiling condition before beginning installation if the ceiling tile is acoustical, remove the tile above the power pole before attaching the power pole to the bracket. (Figure 2).
3. Attach half of the power pole to the bracket using #10-32 machine screws.

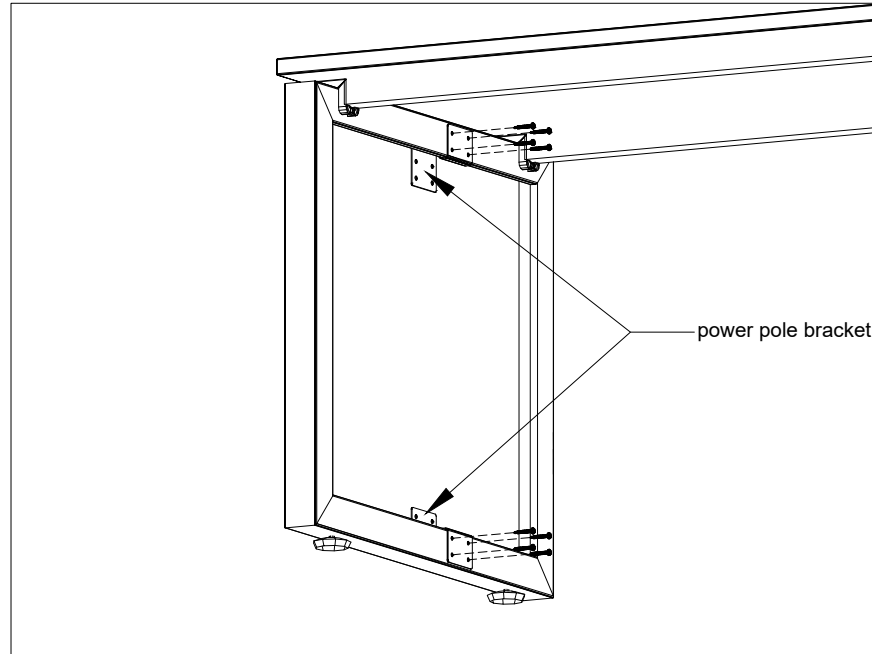


FIGURE 1

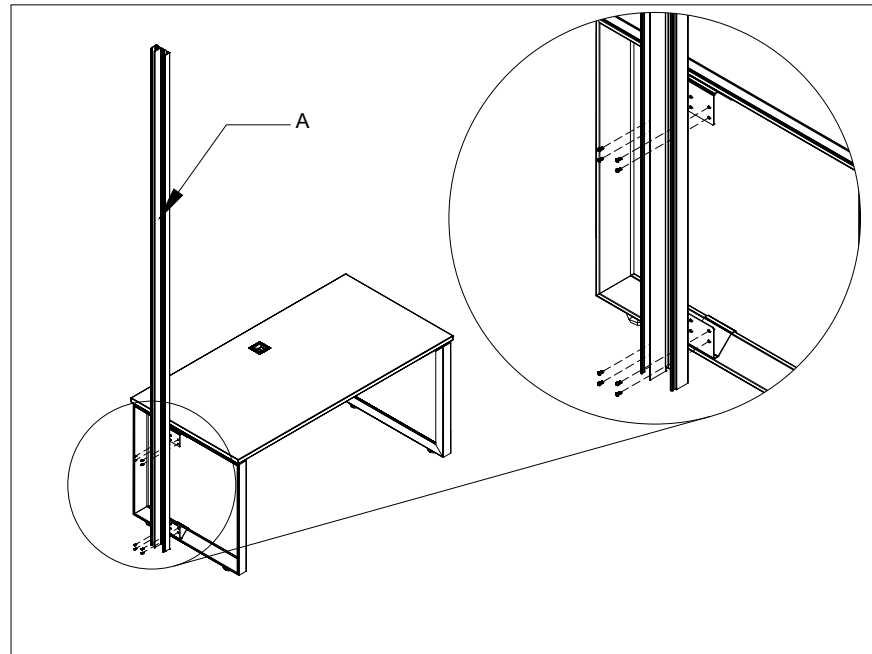
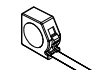





FIGURE 2

tools & hardware needed

 measuring tape	 drill	 # 2 Robertson long bit	 #10 x 5/8" pan self drilling screws	#10-32 machine screws icon" data-bbox="417 841 450 874"/> # 10- 32 machine screws
---	--	---	--	--

power pole installation (cont'd)

4. Lay the data and power cables in the power pole. Clip the two halves of the power pole together (Figure 3).
5. Place the ceiling collar around the management column and mount to the ceiling with 6 screws; (Figure 4).

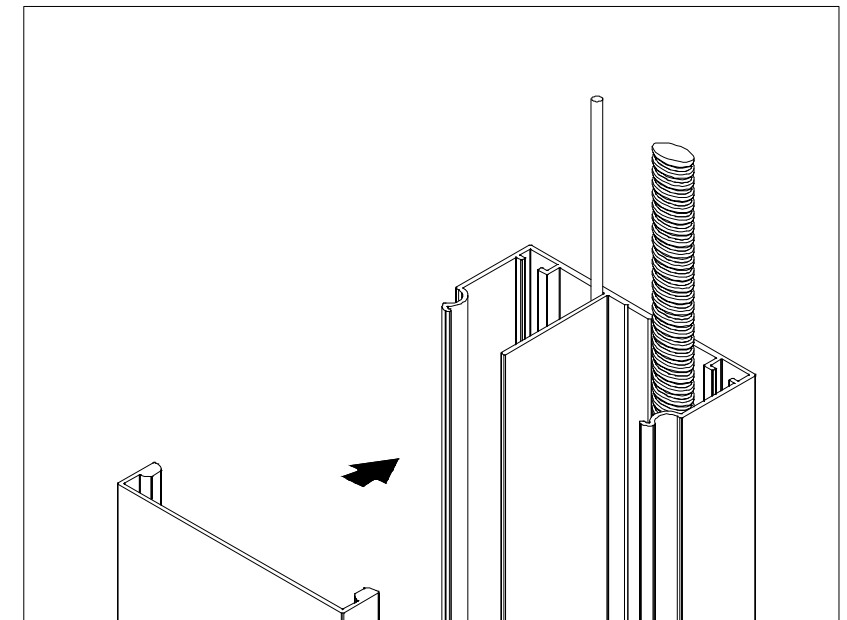


FIGURE 3

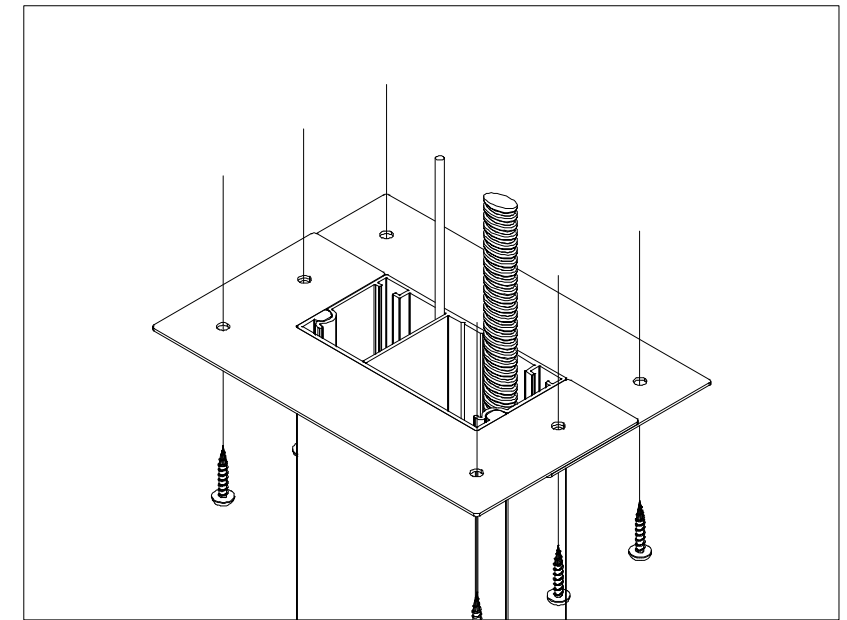
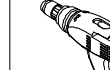

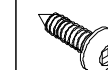


FIGURE 4

tools & hardware needed

 drill	 #2 Robertson long bit	 #10 11/16" oval head screw
--	--	---

trough mounted communication box installation

box installation

The cable management trough communication box mounts to the worksurface cable management trough to provide communication access below the worksurface level.

1. Insert the bottom edge of the trough mounted communication box, (Figure 1).
2. Secure in place with 3/8" metal screws, (Figure 2).

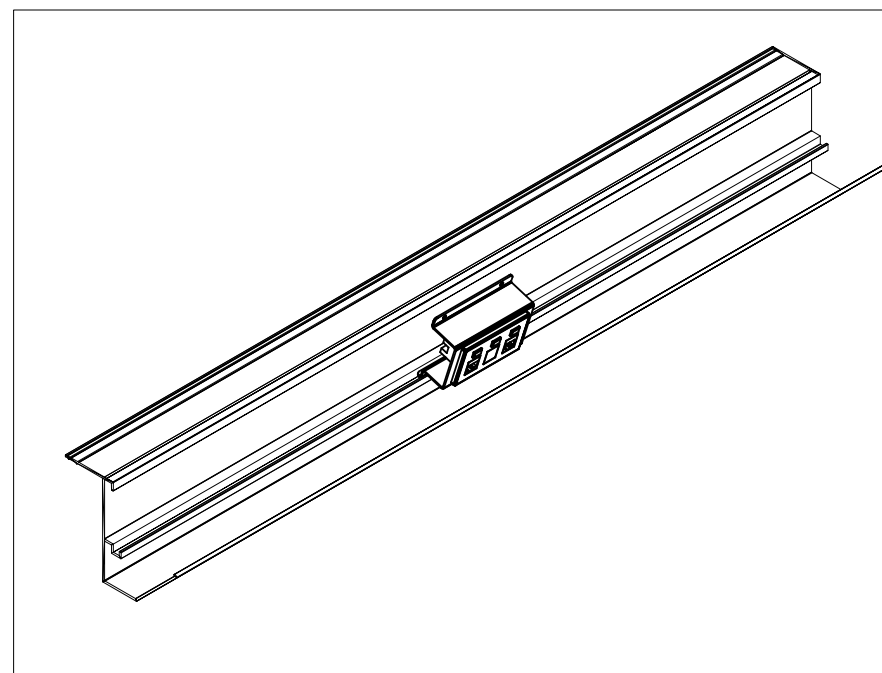


FIGURE 1

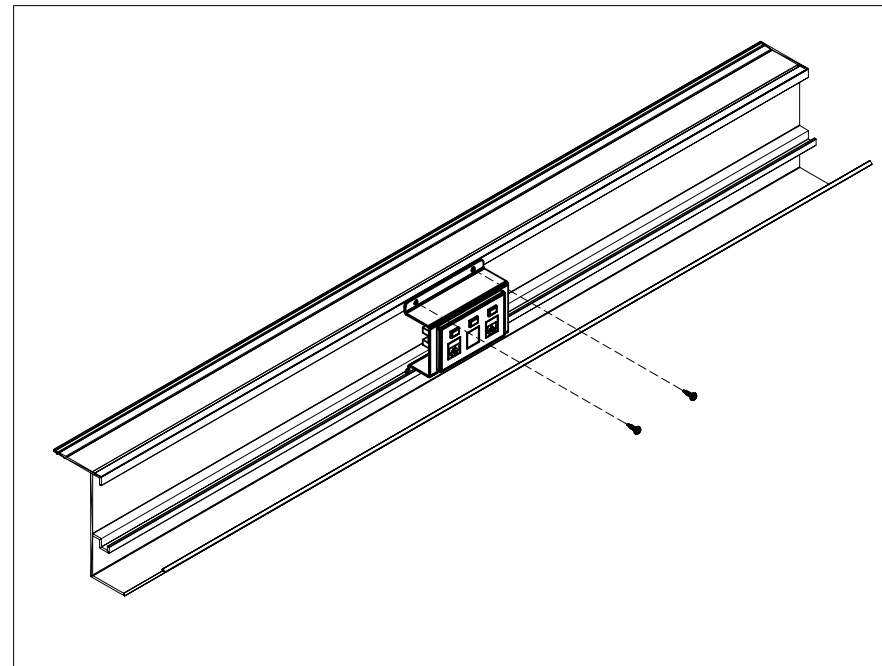
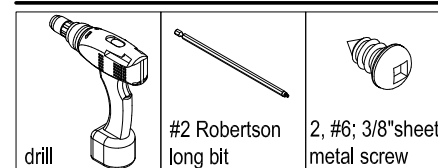


FIGURE 2

NOTES:

- > The trough mounted communication box does not come with any data cables.
- > The trough mounted communication box is equipped with one RJ11, RJ45 and a spare opening.

tools & hardware needed



trough mounted power box installation

The cable management trough power box mounts to the worksurface cable management trough to provide power access below the worksurface level.

1. Attach the harness(es) to the power box before installation, (Figure 1).
2. Mount the trough mounted power box to the horizontal wire management trough with 5/8" metal screws, (Figure 2).

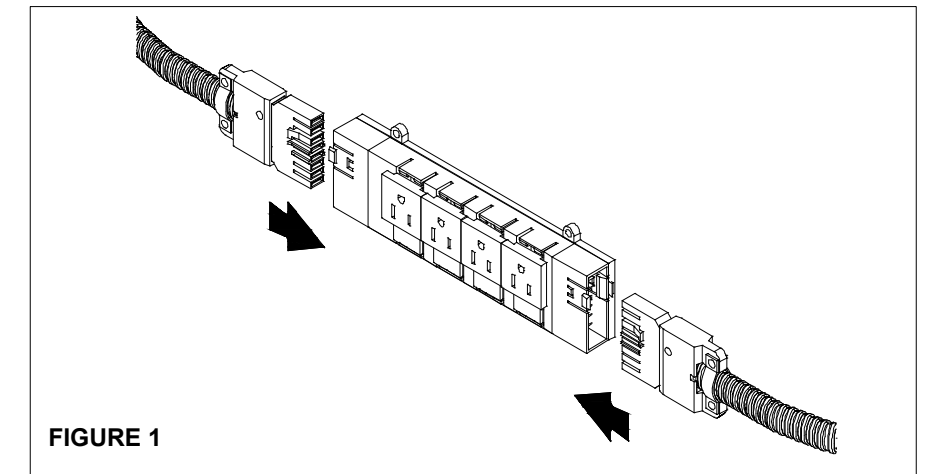


FIGURE 1

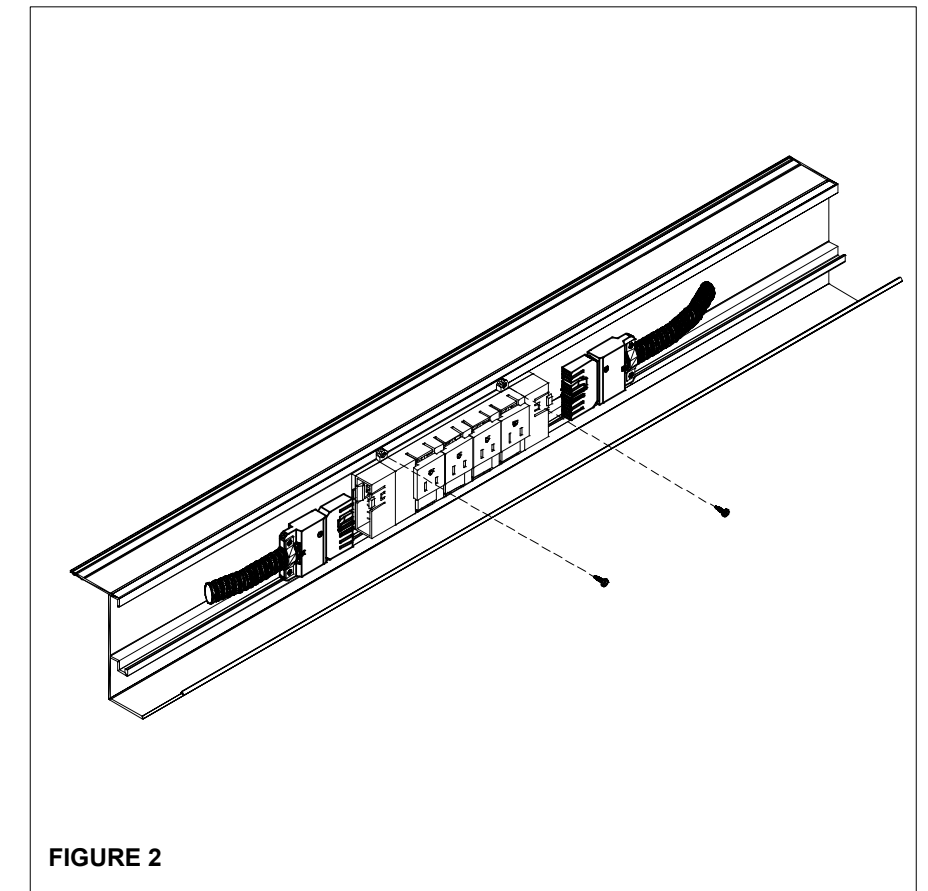
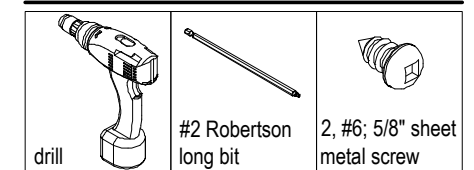


FIGURE 2

NOTES:

- > The trough mounted power box does not come with any electrical harnesses.

tools & hardware needed

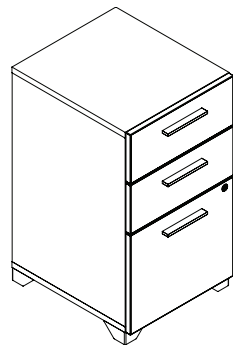




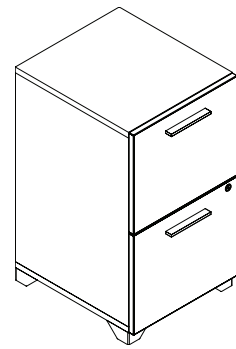
Scene Pricebook
November 2024
Pedestals

pedestal

<u>freestanding</u>	54
<u>mobile</u>	56



box/box/file pedestal without seat cushion



file/file pedestal without seat cushion

What's Included:

Tall stationary pedestal (box/box/file or file/file drawer configuration) (1), box drawer pencil tray (box/box/file drawer configuration) (1), and keys for lock (2).

Notes:

Tall stationary pedestal is 16" wide.

Available in box/box/file or file/file drawer configuration.

Top box drawer (box/box/file configuration) includes a plastic pencil tray to enhance organizational capabilities.

File drawer(s) accommodate either legal paper or letter paper hanging folders.

Contemporary metal handles on the drawers are standard.

Four levelers with a leveling range of 2.5" are included.

How to Specify:

Specify the drawer configuration to suit the storage requirements.

Specify the depth of the pedestal to be the same as the depth of the worksurface being utilized above.

Body refers to the top, side and back panels of the freestanding pedestal.

Face refers to the drawer front of the freestanding pedestal.

Feet are finished in silver, black or white powder coat.

Pencil tray is available in white translucent plastic only.

Internal drawer bodies are black low pressure laminate only.

Freestanding pedestal can be keyed alike or keyed randomly for a workstation.

Lock is available in satin silver metal only.

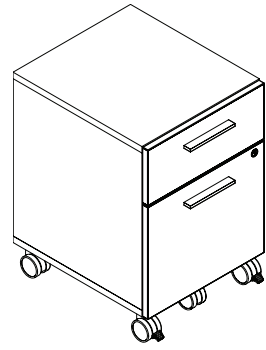
Options:

Drawer Configuration	BF box / box / file	FF file / file	
Depth	18", 24"		
Body Laminate	laminate color		
Face Laminate	laminate color		
Handle Color	H112 silver	H121 white	H122 black
Foot Color	P112 silver	P121 white	P114 black

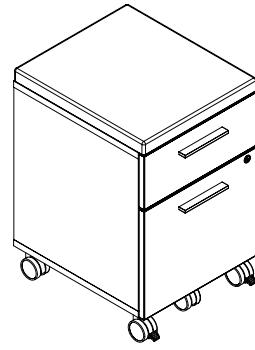
How to Order and Read your Code:

F	FP	BF	28	16	24
product line	item	drawer configuration	height	width	depth

Code	Price	H	W	D	Weight (lb)	Volume (ft ³)
box / box / file						
F-FPBF-281618	1114	28	16	18	53.76	4.67
F-FPBF-281624	1142	28	16	24	71.68	6.22
file/file						
F-FPFF-281618	999	28	16	18	53.76	4.67
F-FPFF-281624	1027	28	16	24	71.68	6.22



mobile pedestal without seat cushion



mobile pedestal with seat cushion

What's Included:

Low mobile pedestal (box/file drawer configuration) with/without seat cushion (1), box drawer pencil tray (1), and keys for lock (2).

Notes:

- Low mobile pedestal is 16" wide.
- Box drawer includes a plastic pencil tray to enhance organizational capabilities.
- File drawer accommodates either legal paper or letter paper hanging folders.
- The two front casters are lockable.
- Contemporary metal handles on the drawers are standard.

How to Specify:

- Specify the drawer configuration to suit the storage requirements.
- Specify the depth of the pedestal to be the same as the depth of the worksurface being utilized above.
- Body refers to the top, side and back panels of the freestanding pedestal.
- Face refers to the drawer front of the freestanding pedestal.
- Pencil tray is available in white translucent plastic only.
- Internal drawer bodies are black low pressure laminate only.
- Freestanding pedestal can be keyed alike or keyed randomly for a workstation.
- Lock is available in satin silver metal only.

Options:

Seat Cushion	O without seat cushion	S with seat cushion
Depth	18"	
Body Laminate	laminate color	
Face Laminate	laminate color	
Handle Color	H112 silver	H121 white H122 black
Caster Cap Color	P112 silver	P121 white
Seating Upholstery	seating fabrics	

Code	Price	H	W	D	Weight (lb)	Volume (ft ³)
without seat cushion						
F-FPL0-231618	951	23	16	18	53.76	3.83

with seat cushion

Code	Grade 1	Grade 2	Grade 3	Grade 6	W	D	Weight (lb)	Volume (ft ³)
F-FPLS-251618	1201	1161	1190	1275	16	18	53.76	4.17

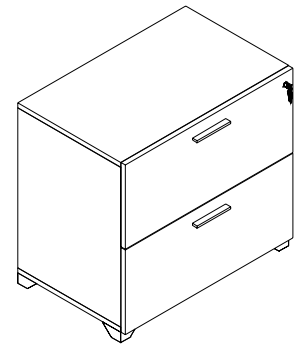


Scene Pricebook
November 2024

Laterals

lateral

2 drawer	60
3 drawer	62
4 drawer	64



left handle position

What's Included:

2 drawer lateral storage

How to Specify:

Body refers to the top, side and back panels of the 2 drawer lateral.

Face refers to the drawer front of the 2 drawer lateral.

Feet are finished in silver, black or white powder coat.

2 drawer lateral can be keyed alike or keyed randomly for a workstation.

Lock is available in satin silver metal only.

Notes:

2 drawer lateral is available in 30", 36" & 42" widths.

2 drawer lateral is available in 18" & 24" depths.

Metal handles on the drawers are standard.

Each drawer includes 2 cross rails to enhance organizational capabilities.

File drawers accommodates either legal paper or letter paper hanging folders.

Four levelers with a leveling range of 2.5" are included.

Disclaimer: Please note that lateral file drawers are intended for filing letter and legal size paper front to back or side to side only. For details and weight restrictions please contact customer service.

Options:

Width	30", 36", 42"		
Depth	18", 24"		
Body Laminate	lamine color		
Face Laminate	lamine color		
Handle position	L left	R right	
Handle Color	H112 silver	H121 white	H114 black
Foot Color	P112 silver	P121 white	P114 black

How to Order and Read your Code:

F	FL	2F	28	30	18	L
product line	item	drawer configuration	height	width	depth	handle position

Code	Price	H (in.)	W (in.)	D 1 (in.)	Weight (lb)	Volume (ft ³)
Left Handle						
F-FL2F-283018-L	1525	28	30	18	65.74	8.75
F-FL2F-283618-L	1585	28	36	18	78.89	10.5
F-FL2F-284218-L	1695	28	42	18	92.03	12.25
F-FL2F-283024-L	1564	28	30	24	87.65	11.67
F-FL2F-283624-L	1681	28	36	24	105.18	14
F-FL2F-284224-L	1800	28	42	24	122.71	16.33
Right Handle						
F-FL2F-283018-R	1525	28	30	18	65.74	8.75
F-FL2F-283618-R	1585	28	36	18	78.89	10.5
F-FL2F-284218-R	1695	28	42	18	92.03	12.25
F-FL2F-283024-R	1564	28	30	24	87.65	11.67
F-FL2F-283624-R	1681	28	36	24	105.18	14
F-FL2F-284224-R	1800	28	42	24	122.71	16.33



left handle position

What's Included:

3 drawer lateral storage

How to Specify:

Body refers to the top, side and back panels of the 2 drawer lateral.

Face refers to the drawer front of the 2 drawer lateral.

Feet are finished in silver, black or white powder coat.

2 drawer lateral can be keyed alike or keyed randomly for a workstation.

Lock is available in satin silver metal only.

Notes:

3 drawer lateral is available in 30", 36" & 42" widths.

3 drawer lateral is available in 18" & 24" depths.

Metal handles on the drawers are standard.

Each drawer includes 2 cross rails to enhance organizational capabilities.

File drawers accommodates either legal paper or letter paper hanging folders.

Four levelers with a leveling range of 2.5" are included.

Disclaimer: Please note that lateral file drawers are intended for filing letter and legal size paper front to back or side to side only. For details and weight restrictions please contact customer service.

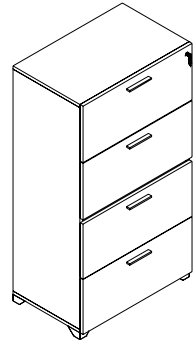
Options:

Width	30", 36", 42"		
Depth	18", 24"		
Body Laminate	laminate color		
Face Laminate	laminate color		
Spacer trim	LPL color		
Handle position	L left	R right	
Handle Color	H112 silver	H121 white	H114 black
Foot Color	P112 silver	P121 white	P114 black

How to Order and Read your Code:

F	FL	3F	43	30	18	L
product line	item	drawer configuration	height	width	depth	handle position

Code	Price	H (in.)	W (in.)	D 1 (in.)	Weight (lb)	Volume (ft ³)
Left Handle						
F-FL3F-433018-L	2463	43	30	18	92.88	13.44
F-FL3F-433618-L	2551	43	36	18	111.46	16.13
F-FL3F-434218-L	2744	43	42	18	130.03	18.81
F-FL3F-433024-L	2519	43	30	24	123.84	17.92
F-FL3F-433624-L	2730	43	36	24	148.61	21.5
F-FL3F-434224-L	2938	43	42	24	173.38	25.08
Right Handle						
F-FL3F-433018-R	2463	43	30	18	92.88	13.44
F-FL3F-433618-R	2551	43	36	18	111.46	16.13
F-FL3F-434218-R	2744	43	42	18	130.03	18.81
F-FL3F-433024-R	2519	43	30	24	123.84	17.92
F-FL3F-433624-R	2730	43	36	24	148.61	21.5
F-FL3F-434224-R	2938	43	42	24	173.38	25.08



left handle position

What's Included:

4 drawer lateral storage

How to Specify:

Body refers to the top, side and back panels of the 4 drawer lateral.

Face refers to the drawer front of the 4 drawer lateral.

Feet are finished in silver, black or white powder coat.

4 drawer lateral can be keyed alike or keyed randomly for a workstation.

Lock is available in satin silver metal only.

Notes:

4 drawer lateral is available in 30", 36" & 42" widths.

4 drawer lateral is available in 18" & 24" depths.

Metal handles on the drawers are standard.

Each drawer includes 2 cross rails to enhance organizational capabilities.

File drawers accommodates either legal paper or letter paper hanging folders.

Four levelers with a leveling range of 2.5" are included.

Disclaimer: Please note that lateral file drawers are intended for filing letter and legal size paper front to back or side to side only. For details and weight restrictions please contact customer service.

Options:

Width	30", 36", 42"		
Depth	18", 24"		
Body Laminate	laminate color		
Face Laminate	laminate color		
Spacer trim	LPL color		
Handle position	L left	R right	
Handle Color	H112 silver	H121 white	H114 black
Foot Color	P112 silver	P121 white	P114 black

How to Order and Read your Code:

F	FL	4F	56	30	18	L
product line	item	drawer configuration	height	width	depth	handle position

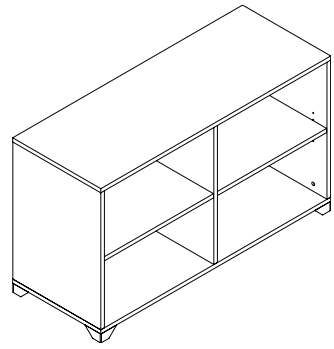
Code	Price	H (in.)	W (in.)	D 1 (in.)	Weight (lb)	Volume (ft ³)
Left Handle						
F-FL4F-563018-L	2936	56	30	18	108	17.5
F-FL4F-563618-L	3063	56	36	18	129.6	21
F-FL4F-564218-L	3299	56	42	18	151.2	24.5
F-FL4F-563024-L	3019	56	30	24	144	23.33
F-FL4F-563624-L	3271	56	36	24	172.8	28
F-FL4F-564224-L	3519	56	42	24	201.6	32.67
Right Handle						
F-FL4F-563018-R	2936	56	30	18	108	17.5
F-FL4F-563618-R	3063	56	36	18	129.6	21
F-FL4F-564218-R	3299	56	42	18	151.2	24.5
F-FL4F-563024-R	3019	56	30	24	144	23.33
F-FL4F-563624-R	3271	56	36	24	172.8	28
F-FL4F-564224-R	3519	56	42	24	201.6	32.67



Scene Pricebook
November 2024
Credenzas



<u>open high</u>	68
<u>enclosed high</u>	69
<u>combo high</u>	70
<u>open low</u>	72
<u>enclosed low</u>	73
<u>combo low</u>	74



What's Included:

Open high credenza (1) with two wire management grommets (2).

How to Specify:

Body refers to the top, side and back panels of the open high credenza.

Feet are finished in silver, black or white powder coat.

Lock is available in satin silver metal only.

Notes:

Open high credenza is available in 48", 54", 60", 66" & 72" widths.

Open high credenza is available in 18" depth.

Open shelf provides storage space for books, binders, and boxes, as well as large personal items such as backpacks and briefcases.

Four levelers with a leveling range of 2.5-inches are included.

Middle shelves have a notched corner to allow a pass through for power & data

Lower shelf has 2 wire management grommets

Options:

Width 48", 54", 60", 66", 72"

Body Laminate laminate color

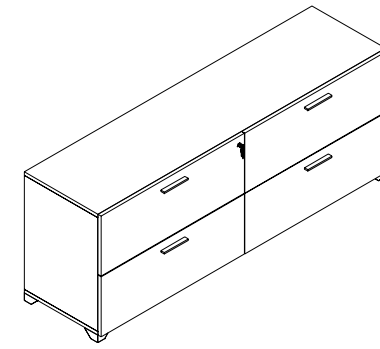
Foot Color **P112** silver **P121** white **P114** black

Grommet Color **P112** silver **P121** white **P114** black

How to Order and Read your Code:

F **CROH** **28** **30** **18**
 product line item height width depth

Code	Price	H (in.)	W (in.)	D 1 (in.)	Weight (lb)	Volume (ft ³)
F-CROH-284818	1137	28	48	18	48.38	14
F-CROH-285418	1202	28	54	18	54.43	15.75
F-CROH-286018	1264	28	60	18	60.48	17.5
F-CROH-286618	1322	28	66	18	66.53	19.25
F-CROH-287218	1382	28	72	18	72.58	21



left handle drawer position

What's Included:

Enclosed high credenza (file/file drawer configuration) (1), and keys for lock (4).

How to Specify:

Body refers to the top, side and back panels of the enclosed high credenza.

Face refers to the drawer front of the enclosed high credenza.

Drawer handles are finished in silver, black or white powder coat.

Feet are finished in silver, black or white powder coat.

Enclosed high credenza can be keyed alike or keyed randomly for a workstation.

Lock is available in satin silver metal only.

Notes:

Enclosed high credenza is available in 48", 60" & 72" widths.

File drawer can accommodate either legal paper or letter paper hanging folders.

Metal handles on the drawers are standard.

Four levelers with a leveling range of 2.5-inches are included.

Options:

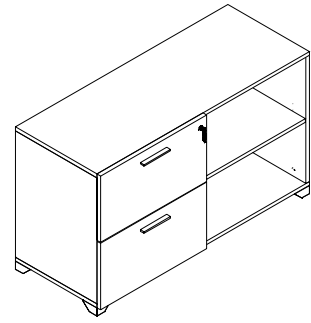
Width 48", 54", 60", 66", 72"

Handle position **L** left **R** right

Handle Color **H112** silver **H121** white **H122** black

Foot Color **P112** silver **P121** white **P114** black

Code	Price	H (in.)	W (in.)	D 1 (in.)	Weight (lb)	Volume (ft ³)
F-CREH-284818-L	2434	28	48	18	96.77	14
F-CREH-286018-L	2649	28	60	18	120.96	17.5
F-CREH-287218-L	2861	28	72	18	145.15	21
F-CREH-284818-R	2434	28	48	18	96.77	14
F-CREH-286018-R	2649	28	60	18	120.96	17.5
F-CREH-287218-R	2861	28	72	18	145.15	21



left hand
drawer position

What's Included:

Combo high credenza (open shelf and file/file drawer configuration) (1) with keys for lock (2) and a wire management grommet (1).

How to Specify:

Specify drawer position to be on the side/end of the credenza that is not supporting a worksurface.

Body refers to the top, side and back panels of the combo high credenza.

Face refers to the drawer front of the combo high credenza.

Drawer handles are finished in silver, black or white powder coat.

Feet are finished in silver, black or white powder coat.

Combo high credenza can be keyed alike or keyed randomly for a workstation.

Lock is available in satin silver metal only.

Notes:

Combo high credenza is available in 48", 54", 60", 66" & 72" widths.

Available with open shelf and file/file drawer configuration located on the left or right side of the credenza.

Open shelf provides storage space for books, binders, and boxes, as well as large personal items such as backpacks and briefcases.

One file drawer accommodates either legal paper or letter paper hanging folders.

Metal handles on the drawers are standard.

Four levelers with a leveling range of 2.5-inches are included.

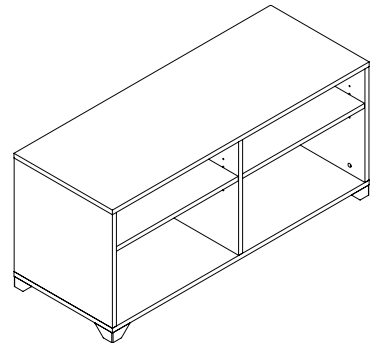
Middle shelf has a notched corner to allow a pass through for power & data

Lower shelf has a wire management grommet

Options:

Width	48", 54", 60", 66", 72"		
Drawer position	L left	R right	
Body Laminate	laminate color		
Face Laminate	laminate color		
Handle Color	H112 silver	H121 white	H122 black
Foot Color	P112 silver	P121 white	P114 black
Grommet Color	P112 silver	P121 white	P114 black

Code	Price	H (in.)	W (in.)	D 1 (in.)	Weight (lb)	Volume (ft ³)
Left Hand						
F-CRCH-284818-L	1747	28	48	18	69.12	14
F-CRCH-285418-L	1810	28	54	18	77.76	15.75
F-CRCH-286018-L	1919	28	60	18	86.4	17.5
F-CRCH-286618-L	1982	28	66	18	95.04	19.25
F-CRCH-287218-L	2089	28	72	18	103.68	21
Right Hand						
F-CRCH-284818-R	1747	28	48	18	69.12	14
F-CRCH-285418-R	1810	28	54	18	77.76	15.75
F-CRCH-286018-R	1919	28	60	18	86.4	17.5
F-CRCH-286618-R	1982	28	66	18	95.04	19.25
F-CRCH-287218-R	2089	28	72	18	103.68	21



What's Included:

Open low credenza

How to Specify:

Body refers to the top, side and back panels of the open low credenza.

Feet are finished in silver, black or white powder coat.

Notes:

Open low credenza is available in 48", 54", 60", 66" & 72" widths.

Open low credenza is available in 18" depth.

Open low credenza top mount worksurface support enables the credenza to support the end of a worksurface(s).

Open shelf provides storage space for books, binders, and boxes, as well as large personal items such as backpacks and briefcases.

Four levelers with a leveling range of 2.5-inches are included.

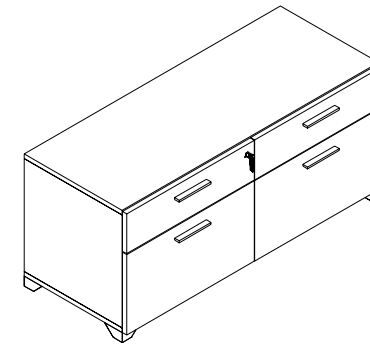
Options:

Width 48", 60", 72"

Body Laminate laminate color

Foot Color **P112** silver **P121** white **P114** black

Code	Price	H (in.)	W (in.)	D 1 (in.)	Weight (lb)	Volume (ft ³)
F-CROL-224818	1007	22	48	18	38.02	11
F-CROL-225418	1068	22	54	18	42.77	12.38
F-CROL-226018	1126	22	60	18	47.52	13.75
F-CROL-226618	1184	22	66	18	52.27	15.13
F-CROL-227218	1240	22	72	18	57.02	16.5



What's Included:

Enclosed low credenza (box/file drawer configuration) (1), and keys for lock (4)

How to Specify:

Body refers to the top, side and back panels of the enclosed low credenza.

Face refers to the drawer front of the enclosed low credenza.

Drawer handles are finished in silver, black or white powder coat.

Feet are finished in silver, black or white powder coat.

Enclosed low credenza can be keyed alike or keyed randomly for a workstation.

Lock is available in satin silver metal only.

Notes:

Enclosed low credenza is available in 48", 60" & 72" widths.

Enclosed low credenza top mount worksurface support enables the credenza to support the end of a worksurface(s).

Available with side-by-side box/file drawer configuration.

Two box drawers provide general storage space.

Two file drawer accommodate either legal paper or letter paper hanging folders.

Metal handles on the drawers are standard.

Four levelers with a leveling range of 2.5-inches are included.

Options:

Width 48", 60", 72"

Drawer position **L** left **R** right

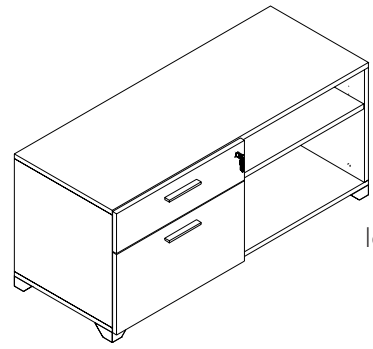
Body Laminate laminate color

Face Laminate laminate color

Handle Color **H112** silver **H121** white **H122** black

Foot Color **P112** silver **P121** white **P114** black

Code	Price	H (in.)	W (in.)	D 1 (in.)	Weight (lb)	Volume (ft ³)
F-CREL-224818-L	2191	22	48	18	76.03	11
F-CREL-226018-L	2363	22	60	18	95.04	13.75
F-CREL-227218-L	2546	22	72	18	114.05	16.5
F-CREL-224818-R	2191	22	48	18	76.03	11
F-CREL-226018-R	2363	22	60	18	95.04	13.75
F-CREL-227218-R	2546	22	72	18	114.05	16.5



left drawer position

What's Included:

Combo low credenza (open shelf and box/file drawer configuration) (1), and keys for lock (2).

How to Specify:

Specify drawer position to be on the side/end of the credenza that is not supporting a work surface.

Body refers to the top, side and back panels of the combo low credenza.

Face refers to the drawer front of the combo low credenza.

Drawer handles are finished in silver, black or white powder coat.

Feet are finished in silver, black or white powder coat.

Combo high credenza can be keyed alike or keyed randomly for a workstation.

Lock is available in satin silver metal only.

Notes:

Combo low credenza is available in 48", 54", 60", 66" & 72" widths.

Combo low credenza top mount work surface support enables the credenza to support the end of a work surface(s).

Available with open shelf and box/file drawer configuration located on the left or right side of the credenza.

Open shelf provides storage space for books, binders, and boxes, as well as large personal items such as backpacks and briefcases.

One box drawer provides general storage space.

One file drawer accommodates either legal paper or letter paper hanging folders.

Metal handles on the drawers are standard.

Four levelers with a leveling range of 2.5-inches are included.

Options:

Width	48", 54", 60", 66", 72"		
Drawer position	L left	R right	
Body Laminate	laminate color		
Face Laminate	laminate color		
Handle Color	H112 silver	H121 white	H122 black
Foot Color	P112 silver	P121 white	P114 black

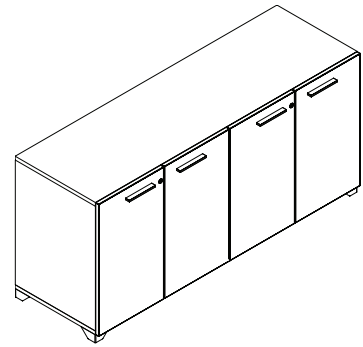
Code	Price	H (in.)	W (in.)	D 1 (in.)	Weight (lb)	Volume (ft ³)
Left Drawer						
F-CRCL-224818-L	1569	22	48	18	54.31	11
F-CRCL-225418-L	1630	22	54	18	61.1	12.38
F-CRCL-226018-L	1715	22	60	18	67.89	13.75
F-CRCL-226618-L	1772	22	66	18	74.67	15.13
F-CRCL-227218-L	1863	22	72	18	81.46	16.5
Right Drawer						
F-CRCL-224818-R	1569	22	48	18	54.31	11
F-CRCL-225418-R	1630	22	54	18	61.1	12.38
F-CRCL-226018-R	1715	22	60	18	67.89	13.75
F-CRCL-226618-R	1772	22	66	18	74.67	15.13
F-CRCL-227218-R	1863	22	72	18	81.46	16.5



Scene Pricebook
November 2024
Cabinets

cabinet

<u>4 door laminate</u>	<u>78</u>
<u>4 door acrylic</u>	<u>79</u>
<u>2 door laminate</u>	<u>80</u>
<u>2 door acrylic</u>	<u>81</u>



What's Included:

4 door cabinet and keys for locks.

How to Specify:

Body refers to the top, side and back panels of the 4 door cabinet.

Face refers to the drawer front of the 4 door cabinet.

Drawer handles are finished in silver, black or white powder coat.

Feet are finished in silver, black or white powder coat.

4 door cabinet can be keyed alike or keyed randomly for a workstation.

Lock is available in satin silver metal only.

Notes:

4 door cabinet is available in 60" 66" & 72" widths.

Metal handles on the drawers are standard.

Four levelers with a leveling range of 2.5-inches are included.

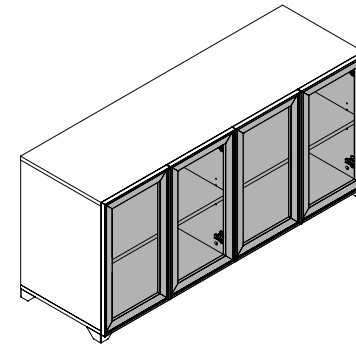
Options:

Width	60", 66", 72"		
Drawer position	L left	R right	
Body Laminate	laminate color		
Face Laminate	laminate color		
Handle Color	H112 silver	H121 white	H122 black
Foot Color	P112 silver	P121 white	P114 black

How to Order and Read your Code:

F **CROH** **28** **30** **18**
 product line item height width depth

Code	Price	H (in.)	W (in.)	D 1 (in.)	Weight (lb)	Volume (ft ³)
F-FS4L-286018	1921	28	60	18	100.8	17.5
F-FS4L-286618	1998	28	66	18	105.8	19.25
F-FS4L-287218	2074	28	72	18	120.96	21



What's Included:

4 door cabinet with acrylic doors.

How to Specify:

Body refers to the top, side and back panels of the 4 door cabinet.

Feet are finished in silver, black or white powder coat.

Notes:

4 door cabinet is available in 60", 66" & 72" widths.

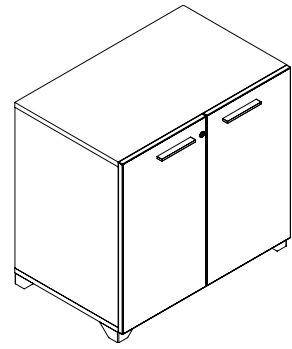
Doors are available in frost acrylic

Four levelers with a leveling range of 2.5-inches are included.

Options:

Width	60", 66", 72"		
Depth	18"		
Body Laminate	laminate color		
Acrylic doors	F frosted		
Foot Color	P112 silver	P121 white	P114 black

Code	Price	H (in.)	W (in.)	D 1 (in.)	Weight (lb)	Volume (ft ³)
F-FS4G-286018-F	3441	28	60	18	100.8	17.5
F-FS4G-286618-F	3572	28	66	18	105.8	19.25
F-FS4G-287218-F	3705	28	72	18	120.96	21



What's Included:

2 door cabinet and keys for lock.

How to Specify:

Body refers to the top, side and back panels of the 2 door cabinet.

Face refers to the drawer front of the 2 door cabinet.

Drawer handles are finished in silver, black or white powder coat.

Feet are finished in silver, black or white powder coat.

2 door cabinet can be keyed alike or keyed randomly for a workstation.

Lock is available in satin silver metal only.

Notes:

2 door cabinet is available in 30", 36" & 42" widths.

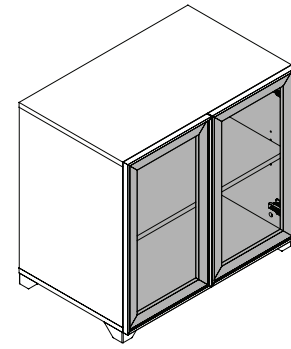
Metal handles on the drawers are standard.

Four levelers with a leveling range of 2.5-inches are included.

Options:

Width	30", 36", 42"		
Drawer position	L left	R right	
Body Laminate	laminate color		
Face Laminate	laminate color		
Handle Color	H112 silver	H121 white	H122 black
Foot Color	P112 silver	P121 white	P114 black

Code	Price	H (in.)	W (in.)	D 1 (in.)	Weight (lb)	Volume (ft ³)
F-FS2L-283018	1158	28	30	18	50.4	8.75
F-FS2L-283618	1248	28	36	18	60.48	10.5
F-FS2L-284218	1342	28	42	18	70.56	12.25



What's Included:

2 door cabinet with acrylic doors.

How to Specify:

Body refers to the top, side and back panels of the 2 door cabinet.

Feet are finished in silver, black or white powder coat.

Notes:

2 door cabinet is available in 30", 36" & 42" widths.

Doors are available in frost acrylic

Four levelers with a leveling range of 2.5-inches are included.

Options:

Width	30", 36", 42"		
Acrylic doors	F frosted		
Body Laminate	laminate color		
Foot Color	P112 silver	P121 white	P114 black

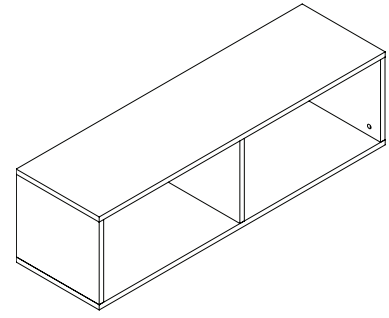
Code	Price	H (in.)	W (in.)	D 1 (in.)	Weight (lb)	Volume (ft ³)
F-FS2G-283018-F	1915	28	30	18	50.4	8.75
F-FS2G-283618-F	2063	28	36	18	60.48	10.5
F-FS2G-284218-F	2208	28	42	18	70.56	12.25



Scene Pricebook
November 2024
Flag Storage

flag storage

<u>open shelf</u>	84
<u>shared open shelf</u>	86
<u>left side flag storage</u>	87
<u>right side flag storage</u>	88



What's Included:

Open cabinet(1)

How to Specify:

Body refers to the top, side and back panels of the 4 door cabinet.

Face refers to the drawer front of the 4 door cabinet.

Drawer handles are finished in silver, black or white powder coat.

Feet are finished in silver, black or white powder coat.

4 door cabinet can be keyed alike or keyed randomly for a workstation.

Body refers to the top, side and back panels of the flag storage.

Notes:

Flag storage is available in 48", 54", 60", 66" & 72" widths.

Flag storage backing is available in solid laminate, frosted and tackboard.

Open shelf provides storage space for books, binders, and boxes.

Options:

Width 60", 66", 72"

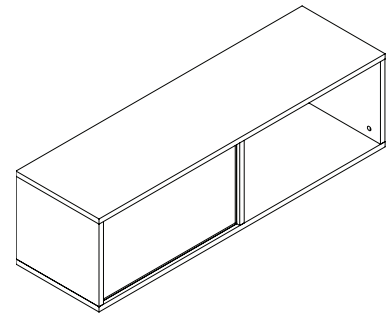
Body Laminate laminate color

Shelf backing **S** solid **F** frosted **T** tackboard

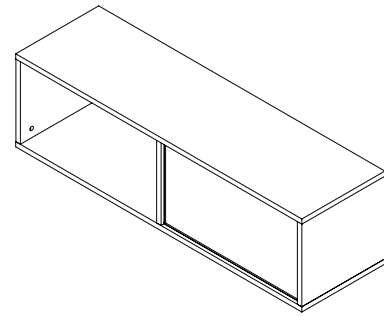
How to Order and Read your Code:

F **FS00** **14** **60** **14** **X**
 product line item height width depth shelf backing

Code	Price	H (in.)	W (in.)	D 1 (in.)	Weight (lb)	Volume (ft ³)
solid						
F-SFOO-144814-S	573	14	48	14	31.36	5.44
F-SFOO-145414-S	613	14	54	14	35.28	6.13
F-SFOO-146014-S	653	14	60	14	39.2	6.81
F-SFOO-146614-S	692	14	66	14	43.12	7.49
F-SFOO-147214-S	732	14	72	14	47.04	8.17
frosted acrylic						
F-SFOO-144814-F	745	14	48	14	31.36	5.44
F-SFOO-145414-F	811	14	54	14	35.28	6.13
F-SFOO-146014-F	872	14	60	14	39.2	6.81
F-SFOO-146614-F	935	14	66	14	43.12	7.49
F-SFOO-147214-F	999	14	72	14	47.04	8.17
tackboard						
F-SFOO-144814-T	741	14	48	14	31.36	5.44
F-SFOO-145414-T	795	14	54	14	35.28	6.13
F-SFOO-146014-T	849	14	60	14	39.2	6.81
F-SFOO-146614-T	905	14	66	14	43.12	7.49
F-SFOO-147214-T	957	14	72	14	47.04	8.17



right side open - SFSO



left side open - SFOS

What's Included:

Open cabinet(1)

How to Specify:

Body refers to the top, side and back panels of the flag storage.

Notes:

Flag storage is available in 48", 54", 60", 66" & 72" widths.

Flag storage backing is available in solid laminate, frosted acrylic and tackboard.

Open shelf provides storage space for books, binders, and boxes.

Options:

Open shelf side	OS left	SO right
Width	48", 54", 60", 66", 72"	
Body Laminate	laminate color	
Shared backing	S solid	F frosted T tackboard

left side flag storage

Code	Price	H (in.)	W (in.)	D 1 (in.)	Weight (lb)	Volume (ft ³)
solid						
F-SFSO-144814-S	602	14	48	14	31.36	5.44
F-SFSO-145414-S	641	14	54	14	35.28	6.13
F-SFSO-146014-S	685	14	60	14	39.2	6.81
F-SFSO-146614-S	721	14	66	14	43.12	7.49
F-SFSO-147214-S	764	14	72	14	47.04	8.17
frosted acrylic						
F-SFSO-144814-F	771	14	48	14	31.36	5.44
F-SFSO-145414-F	832	14	54	14	35.28	6.13
F-SFSO-146014-F	898	14	60	14	39.2	6.81
F-SFSO-146614-F	957	14	66	14	43.12	7.49
F-SFSO-147214-F	1022	14	72	14	47.04	8.17
tackboard						
F-SFSO-144814-T	834	14	48	14	31.36	5.44
F-SFSO-145414-T	886	14	54	14	35.28	6.13
F-SFSO-146014-T	943	14	60	14	39.2	6.81
F-SFSO-146614-T	999	14	66	14	43.12	7.49
F-SFSO-147214-T	1053	14	72	14	47.04	8.17

right side flag storage

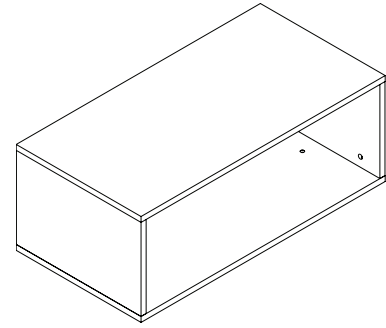
Code	Price	H (in.)	W (in.)	D 1 (in.)	Weight (lb)	Volume (ft ³)
solid						
F-SFOS-144814-S	602	14	48	14	31.36	5.44
F-SFOS-145414-S	641	14	54	14	35.28	6.13
F-SFOS-146014-S	685	14	60	14	39.2	6.81
F-SFOS-146614-S	721	14	66	14	43.12	7.49
F-SFOS-147214-S	764	14	72	14	47.04	8.17
frosted acrylic						
F-SFOS-144814-F	771	14	48	14	31.36	5.44
F-SFOS-145414-F	832	14	54	14	35.28	6.13
F-SFOS-146014-F	898	14	60	14	39.2	6.81
F-SFOS-146614-F	957	14	66	14	43.12	7.49
F-SFOS-147214-F	1022	14	72	14	47.04	8.17
tackboard						
F-SFOS-144814-T	834	14	48	14	31.36	5.44
F-SFOS-145414-T	886	14	54	14	35.28	6.13
F-SFOS-146014-T	943	14	60	14	39.2	6.81
F-SFOS-146614-T	999	14	66	14	43.12	7.49
F-SFOS-147214-T	1053	14	72	14	47.04	8.17



Scene Pricebook
November 2024
**Credenza Mount
Storage**

credenza mount storage

<u>single level - open shelf</u>	92
<u>single level - frosted sliding door</u>	94
<u>double level - open shelf</u>	96
<u>double level - open shelf/hinged door</u>	97
<u>double level - open shelf/frost door</u>	98
<u>double level - frost acrylic hinged door</u>	100
<u>double level - hinged door</u>	102



What's Included:

single level credenza mounted open shelf (1)

How to Specify:

Body refers to the top, side and back panels of the single level credenza mounted open shelf storage.

Notes:

Credenza mounted storage is available in 36", 48", 54", 60", 66" & 72" widths.

Credenza mounted storage backing is available in solid laminate, frosted acrylic and tackboard.

Open shelf provides storage space for books, binders, and boxes

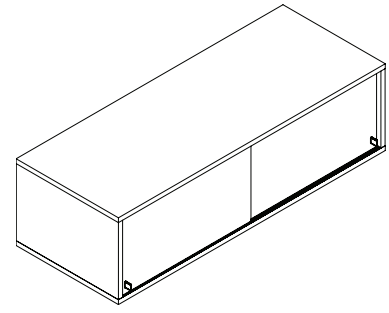
Options:

Width	36", 42", 48", 54", 60", 66", 72"		
Backing	S solid	F frosted	T tackboard
Body Laminate	laminate color		

How to Order and Read your Code:

F	CSOO	14	60	18	X
product line	item	height	width	depth	backing

Code	Price	H (in.)	W (in.)	D 1 (in.)	Weight (lb)	Volume (ft ³)	Code	Price	H (in.)	W (in.)	D 1 (in.)	Weight (lb)	Volume (ft ³)
solid							tackboard						
F-CSOO-143618-S	454	14	36	18	30.24	5.25	F-CSOO-143618-T	594	14	36	18	30.24	5.25
F-CSOO-144218-S	552	14	42	18	35.28	6.13	F-CSOO-144218-T	707	14	42	18	35.28	6.13
F-CSOO-144818-S	591	14	48	18	40.32	7	F-CSOO-144818-T	759	14	48	18	40.32	7
F-CSOO-145418-S	632	14	54	18	45.36	7.88	F-CSOO-145418-T	816	14	54	18	45.36	7.88
F-CSOO-146018-S	671	14	60	18	50.4	8.75	F-CSOO-146018-T	871	14	60	18	50.4	8.75
F-CSOO-146618-S	714	14	66	18	55.44	9.63	F-CSOO-146618-T	925	14	66	18	55.44	9.63
F-CSOO-147218-S	754	14	72	18	60.48	10.5	F-CSOO-147218-T	983	14	72	18	60.48	10.5
frosted acrylic													
F-CSOO-143618-F	581	14	36	18	30.24	5.25							
F-CSOO-144218-F	706	14	42	18	35.28	6.13							
F-CSOO-144818-F	770	14	48	18	40.32	7							
F-CSOO-145418-F	831	14	54	18	45.36	7.88							
F-CSOO-146018-F	896	14	60	18	50.4	8.75							
F-CSOO-146618-F	956	14	66	18	55.44	9.63							
F-CSOO-147218-F	1021	14	72	18	60.48	10.5							



What's Included:

single level credenza mounted storage(1)

How to Specify:

Body refers to the top, side and back panels of the single level credenza mounted storage.

Sliding door handles are available in Tayco leather

Notes:

Credenza mounted storage is available in 48", 54", 60", 66" & 72" widths.

Credenza mounted storage backing is available in solid laminate, frosted acrylic and tackboard.

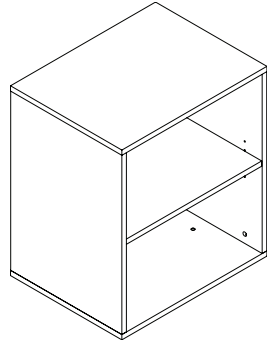
Sliding doors with leather handles provide an enclosed storage area conceal contents.

Sliding doors are available in frost and spider acrylic.

Options:

Acrylic sliding door	F frosted
Width	48", 54", 60", 66", 72"
Backing	S solid F frosted T tackboard
Body Laminate	laminate color
Sliding Door Handle Color	leather color

Code	Price	H (in.)	W (in.)	D 1 (in.)	Weight (lb)	Volume (ft ³)
single level - frosted sliding door						
solid						
F-CSSF-144818-S	#N/A	14	48	18	48.38	7
F-CSSF-145418-S	#N/A	14	54	18	54.43	7.88
F-CSSF-146018-S	#N/A	14	60	18	60.48	8.75
F-CSSF-146618-S	#N/A	14	66	18	66.53	9.63
F-CSSF-147218-S	#N/A	14	72	18	72.58	10.5
frosted						
F-CSSF-144818-F	1290	14	48	18	48.38	7
F-CSSF-145418-F	1384	14	54	18	54.43	7.88
F-CSSF-146018-F	1482	14	60	18	60.48	8.75
F-CSSF-146618-F	1578	14	66	18	66.53	9.63
F-CSSF-147218-F	1676	14	72	18	72.58	10.5
tackboard						
F-CSSF-144818-T	1280	14	48	18	48.38	7
F-CSSF-145418-T	1372	14	54	18	54.43	7.88
F-CSSF-146018-T	1460	14	60	18	60.48	8.75
F-CSSF-146618-T	1548	14	66	18	66.53	9.63
F-CSSF-147218-T	1639	14	72	18	72.58	10.5



What's Included:

Double level cabinet (1)

How to Specify:

Body refers to the top, side and back panels of the double level cabinet.

Notes:

Double level cabinet is available in 24", 30", 36", 42" & 48" widths.

Double level cabinet backing is available in solid laminate and tackboard.

Open shelf provides storage space for books, binders, and boxes.

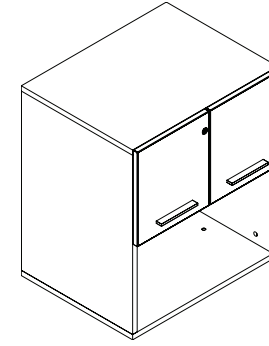
Options:

Width 24", 30", 36", 42", 48"

Backing **S** solid **T** tackboard

Body Laminate laminate color

Code	Price	H (in.)	W (in.)	D 1 (in.)	Weight (lb)	Volume (ft ³)
solid						
F-CDOO-272418-S	557	27	24	18	33.33	6.75
F-CDOO-273018-S	619	27	30	18	41.66	8.44
F-CDOO-273618-S	681	27	36	18	49.99	10.13
F-CDOO-274218-S	742	27	42	18	58.32	11.81
F-CDOO-274818-S	796	27	48	18	66.65	13.5
Tackboard						
F-CDOO-272418-T	713	27	24	18	33.33	6.75
F-CDOO-273018-T	796	27	30	18	41.66	8.44
F-CDOO-273618-T	879	27	36	18	49.99	10.13
F-CDOO-274218-T	962	27	42	18	58.32	11.81



What's Included:

Double level cabinet with hinged doors and an open bottom shelf(1), and keys for lock.

How to Specify:

Body refers to the top, side and back panels of the double level cabinet.

Face refers to the door front of the double level cabinet

Drawer handles are finished in silver, black or white powder coat.

Double level cabinet with hinged doors can be keyed alike or keyed randomly for a workstation.

Lock is available in satin silver metal only.

Options:

Width 24", 30", 36", 42"

Handle Color **H112** silver **H121** white **H122** black

Backing **S** solid **T** tackboard

Body Laminate laminate color

Face Laminate laminate color

Notes:

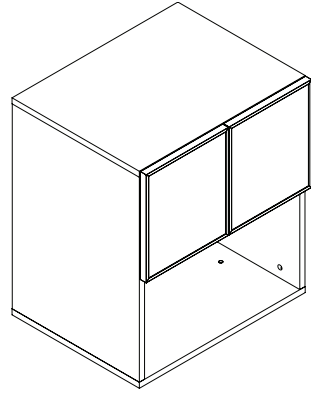
Double level cabinet is available in 24", 30", 36" & 42" widths.

Double level cabinet backing is available in solid laminate and tackboard.

Open shelf provides storage space for books, binders, and boxes.

Metal handles on the drawers are standard.

Code	Price	H (in.)	W (in.)	D 1 (in.)	Weight (lb)	Volume (ft ³)
solid						
F-CDDS-272418-S	898	27	24	18	33.33	6.75
F-CDDS-273018-S	969	27	30	18	41.66	8.44
F-CDDS-273618-S	1042	27	36	18	49.99	10.13
F-CDDS-274218-S	1117	27	42	18	58.32	11.81
Tackboard						
F-CDDS-272418-T	978	27	24	18	33.33	6.75
F-CDDS-273018-T	1074	27	30	18	41.66	8.44
F-CDDS-273618-T	1167	27	36	18	49.99	10.13
F-CDDS-274218-T	1267	27	42	18	58.32	11.81



What's Included:

Double level cabinet with acrylic hinged doors and an open bottom shelf (1)

How to Specify:

Body refers to the top, side and back panels of the double level cabinet.

Notes:

Double level cabinet is available in 24", 30", 36" & 42" widths.

Double level cabinet backing is available in solid laminate and tackboard.

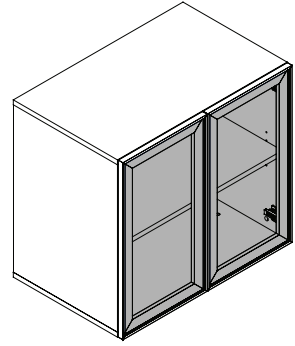
Doors are available in frost acrylic

Open shelf provides storage space for books, binders, and boxes.

Options:

Acrylic sliding door	F frosted
Width	24", 30", 36", 42"
Depth	18"
Backing	S solid T tackboard
Body Laminate	laminate color

Code	Price	H (in.)	W (in.)	D 1 (in.)	Weight (lb)	Volume (ft ³)
double level - open shelf/frost door						
solid						
F-CDDF-272418-S	1554	27	24	18	33.33	6.75
F-CDDF-273018-S	1668	27	30	18	41.66	8.44
F-CDDF-273618-S	1790	27	36	18	49.99	10.13
F-CDDF-274218-S	1908	27	42	18	58.32	11.81
tackboard						
F-CDDF-272418-T	1710	27	24	18	33.33	6.75
F-CDDF-273018-T	1850	27	30	18	41.66	8.44
F-CDDF-273618-T	1989	27	36	18	49.99	10.13
F-CDDF-274218-T	2126	27	42	18	58.32	11.81



What's Included:

Double level cabinet with acrylic hinged doors(1)

How to Specify:

Body refers to the top, side and back panels of the double level cabinet.

Notes:

Double level cabinet is available in 30", 36", 42" & 48" widths.

Double level cabinet backing is available in solid laminate and tackboard.

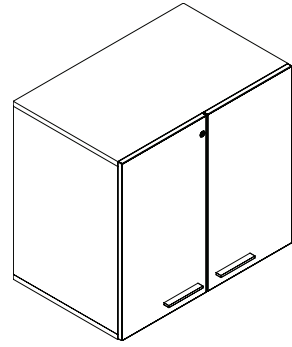
Doors are available in frost acrylic

Metal handles on the drawers are standard.

Options:

Acrylic sliding door	F frosted
Width	24", 30", 36", 42"
Depth	18"
Backing	S solid T tackboard
Body Laminate	laminate color

Code	Price	H (in.)	W (in.)	D 1 (in.)	Weight (lb)	Volume (ft ³)
double level - frost acrylic hinged door						
solid						
F-CDHF-273018-S	1940	27	30	18	38.88	8.44
F-CDHF-273618-S	2090	27	36	18	46.66	10.13
F-CDHF-274218-S	2239	27	42	18	54.43	11.81
F-CDHF-274818-S	2385	27	48	18	62.21	13.5
tackboard						
F-CDHF-273018-T	2119	27	30	18	38.88	8.44
F-CDHF-273018-T	2119	27	30	18	46.66	10.13
F-CDHF-273018-T	2119	27	30	18	54.43	11.81
F-CDHF-273018-T	2119	27	30	18	62.21	13.5



What's Included:

Double level cabinet with hinged doors(1), and keys for lock.

How to Specify:

Body refers to the top, side and back panels of the double level cabinet.

Face refers to the door front of the double level cabinet.

Drawer handles are finished in silver, black or white powder coat.

Double level cabinet with hinged doors can be keyed alike or keyed randomly for a workstation.

Lock is available in satin silver metal only.

Options:

Width	30", 36", 42", 48"		
Backing	S solid	T tackboard	
Body Laminate	laminate color		
Face Laminate	laminate color		
Handle Color	H112 silver	H121 white	H122 black

Code	Price	H (in.)	W (in.)	D 1 (in.)	Weight (lb)	Volume (ft ³)
solid						
F-CDHS-273018-S	1029	27	30	18	38.88	8.44
F-CDHS-273618-S	1114	27	36	18	46.66	10.13
F-CDHS-274218-S	1194	27	42	18	54.43	11.81
F-CDHS-274818-S	1270	27	48	18	62.21	13.5
Tackboard						
F-CDHS-273618-T	1236	27	36	18	38.88	8.44
F-CDHS-274218-T	1342	27	42	18	46.66	10.13
F-CDHS-274818-T	1431	27	48	18	54.43	11.81
F-CDHS-273018-T	1135	27	30	18	62.21	13.5

Notes:

Double level cabinet is available in 30", 36", 42" & 48" widths.

Double level cabinet backing is available in solid laminate and tackboard.

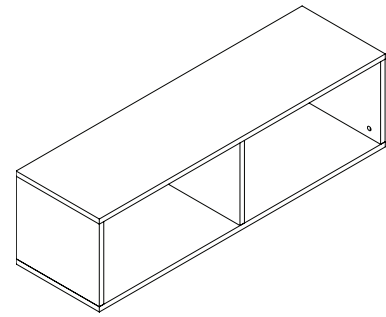
Metal handles on the drawers are standard.



Scene Pricebook
November 2024
**Wall Mounted
Storage**

wall mounted storage

<u>open shelf</u>	106
<u>hinged door hutch</u>	107
<u>frost acrylic hinged door hutch</u>	108



What's Included:

Wall mounted open shelf (1) **How to Specify:**
Body refers to the top, side and back panels of the wall mounted open shelf.

Notes:

Wall mounted storage is available in 36", 48", 54", 60", 66" & 72" widths.
Open shelf provides storage space for books, binders, and boxes.

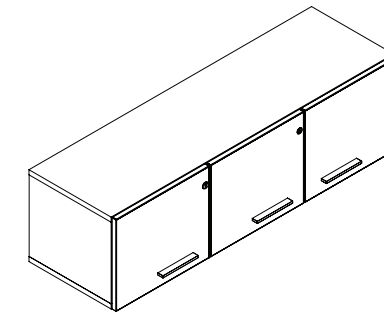
Options:

Width 36", 42", 48", 54", 60", 66", 72"
Body Laminate laminate color

How to Order and Read your Code:

F **SWOO** **14** **54** **14** **S**
product line item height width depth back

Code	Price	H (in.)	W (in.)	D 1 (in.)	Weight (lb)	Volume (ft ³)
F-SWOO-143614-S	500	14	36	14	21.6	4.08
F-SWOO-144214-S	548	14	42	14	25.2	4.76
F-SWOO-144814-S	641	14	48	14	28.8	5.44
F-SWOO-145414-S	690	14	54	14	32.4	6.13
F-SWOO-146014-S	736	14	60	14	36	6.81
F-SWOO-146614-S	782	14	66	14	39.6	7.49
F-SWOO-147214-S	829	14	72	14	43.2	8.17



What's Included:

Wall mounted shelf with hinged doors (1), and keys for lock.

How to Specify:

Body refers to the top, side and back panels of the wall mounted storage.
Face refers to the door front of the all mounted storage.

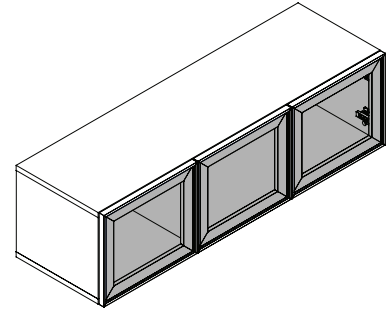
Notes:

Wall mounted storage is available in 36", 48", 54", 60", 66" & 72" widths.
Metal handles on the drawers are standard.

Options:

Width 36", 42", 48", 54", 60", 66", 72"
Body Laminate laminate color
Face Laminate laminate color
Handle Color **H112** silver **H121** white **H122** black

Code	Price	H (in.)	W (in.)	D 1 (in.)	Weight (lb)	Volume (ft ³)
F-SWHS-143614-S	790	14	36	14	21.6	4.08
F-SWHS-144214-S	849	14	42	14	25.2	4.76
F-SWHS-144814-S	1081	14	48	14	28.8	5.44
F-SWHS-145414-S	1144	14	54	14	32.4	6.13
F-SWHS-146014-S	1342	14	60	14	36	6.81
F-SWHS-146614-S	1401	14	66	14	39.6	7.49
F-SWHS-147214-S	1460	14	72	14	43.2	8.17



What's Included:

Wall mounted shelf with hinged doors (1)

How to Specify:

Body refers to the top, side and back panels of the wall mounted open storage.

Notes:

Wall mounted storage is available in 36", 48", 54", 60", 66" & 72" widths.

Doors are available in frost and spider acrylic

Options:

Acrylic hinged door	F frosted
Width	36", 48", 54", 60", 66", 72"
Body Laminate	laminate color
Face laminate	laminate color

Code	Price	H (in.)	W (in.)	D 1 (in.)	Weight (lb)	Volume (ft ³)
frost acrylic hinged door hutch						
F-SWHF-143614-S	1624	14	36	14	21.6	4.08
F-SWHF-144214-S	1729	14	42	14	25.2	4.76
F-SWHF-144814-S	2274	14	48	14	28.8	5.44
F-SWHF-145414-S	2378	14	54	14	32.4	6.13
F-SWHF-146014-S	2922	14	60	14	36	6.81
F-SWHF-146614-S	3028	14	66	14	39.6	7.49
F-SWHF-147214-S	3131	14	72	14	43.2	8.17

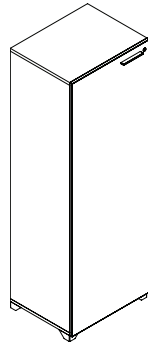


Scene Pricebook
November 2024

Towers

tower

closet	112
acrylic door closet	113
storage	114
acrylic door storage	116
combo storage - closet / cabinet	118
acrylic door cabinet / combo storage - closet	119
combo storage - closet / BBF / cabinet	120
acrylic door cabinet / BBF / combo storage - closet	121
combo storage - closet / FF / cabinet	122
combo storage - closet / FF / acrylic door cabinet	124



left hand shown

What's Included:

Tower closet with hinged door and keys for lock.

How to Specify:

Body refers to the top, side and back panels of the tower closet.

Face refers to the door front of the tower closet.

Handle is finished in silver, black or white powder coat.

Feet are finished in silver, black or white powder coat. Closet can be keyed alike or keyed randomly for a workstation.

Lock is available in satin silver metal only.

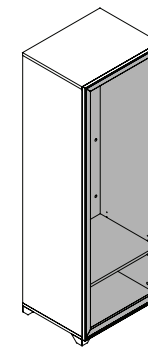
Options:

Height	56", 70"
Depth	18", 24"
Door hinged side	L left R right
Body Laminate	laminate color
Face Laminate	laminate color
Handle Color	H112 silver H121 white H122 black

How to Order and Read your Code:

F **FTCS** **54** **24** **18** **L**
 product line item height width depth door hinged side

Code	Price	H (in.)	W (in.)	D 1 (in.)	Weight (lb)	Volume (ft ³)
F-FTCF-562418-L	2325	56	24	18	40.32	14
F-FTCF-562418-R	2325	56	24	18	40.32	14
F-FTCF-562424-L	2330	56	24	24	53.76	18.67
F-FTCF-562424-R	2330	56	24	24	53.76	18.67
F-FTCF-702418-L	2612	70	24	18	50.4	17.5
F-FTCF-702418-R	2612	70	24	18	50.4	17.5
F-FTCF-702424-L	2627	70	24	24	67.2	23.33
F-FTCF-702424-R	2627	70	24	24	67.2	23.33



left hand shown

What's Included:

Tower closet with acrylic hinged door

How to Specify:

Body refers to the top, side and back panels of the tower closet.

Feet are finished in silver, black or white powder coat.

Tower closet can be keyed alike or keyed randomly for a workstation.

Lock is available in satin silver metal only.

Options:

Acrylic door	F frosted
Height	56", 70"
Depth	18", 24"
Door hinged side	L left R right
Body Laminate	laminate color
Face Laminate	laminate color

Notes:

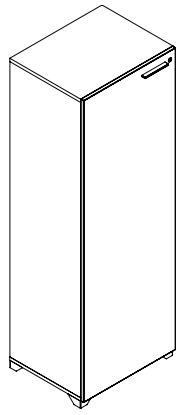
Tower closet is available in 56" & 70" heights.

Tower closet is available in 18" & 24" depths.

Door is available in frost acrylic

Four levelers with a leveling range of 2.5-inches are included.

Code	Price	H (in.)	W (in.)	D 1 (in.)	Weight (lb)	Volume (ft ³)
F-FTCS-562418-L	1489	56	24	18	40.32	14
F-FTCS-562418-R	1489	56	24	18	40.32	14
F-FTCS-562424-L	1491	56	24	24	53.76	18.67
F-FTCS-562424-R	1491	56	24	24	53.76	18.67
F-FTCS-702418-L	1639	70	24	18	50.4	17.5
F-FTCS-702418-R	1639	70	24	18	50.4	17.5
F-FTCS-702424-L	1651	70	24	24	67.2	23.33
F-FTCS-702424-R	1651	70	24	24	67.2	23.33



left hand shown

What's Included:

Tower storage with hinged door and keys for lock.

How to Specify:

Body refers to the top, side and back panels of the storage tower.

Face refers to the door front of the storage tower.

Handle is finished in silver, black or white powder coat.

Feet are finished in silver, black or white powder coat.

Tower storage can be keyed alike or keyed randomly for a workstation.

Lock is available in satin silver metal only.

Notes:

Tower storage is available in 56" & 70" heights.

Tower storage is available in 18" & 24" widths.

Tower storage is available in 18" & 24" depths.

Metal handles on the drawers are standard.

Four levelers with a leveling range of 2.5-inches are included.

Options:

Height 56", 70"

Width 18", 24"

Depth 18", 24"

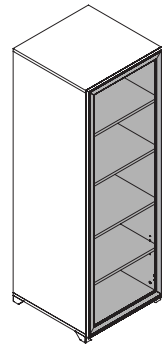
Door hinged side **L** left **R** right

Body Laminate laminate color

Face Laminate laminate color

Handle Color **H112** silver **H121** white **H122** black

Code	Price	H (in.)	W (in.)	D 1 (in.)	Weight (lb)	Volume (ft ³)
F-FTSS-561818-L	1382	56	18	18	36.29	10.5
F-FTSS-561818-R	1382	56	18	18	36.29	10.5
F-FTSS-561824-L	1483	56	18	24	48.38	14
F-FTSS-561824-R	1483	56	18	24	48.38	14
F-FTSS-562418-L	1523	56	24	18	48.38	14
F-FTSS-562418-R	1523	56	24	18	48.38	14
F-FTSS-562424-L	1637	56	24	24	64.51	18.67
F-FTSS-562424-R	1637	56	24	24	64.51	18.67
F-FTSS-701818-L	1578	70	18	18	45.36	13.13
F-FTSS-701818-R	1578	70	18	18	45.36	13.13
F-FTSS-701824-L	1698	70	18	24	60.48	17.5
F-FTSS-701824-R	1698	70	18	24	60.48	17.5
F-FTSS-702418-L	1745	70	24	18	60.48	17.5
F-FTSS-702418-R	1745	70	24	18	60.48	17.5
F-FTSS-702424-L	1882	70	24	24	80.64	23.33
F-FTSS-702424-R	1882	70	24	24	80.64	23.33



left hand shown

What's Included:

Tower storage with acrylic hinged door.

How to Specify:

Body refers to the top, side and back panels of the tower closet.

Feet are finished in silver, black or white powder coat.

Notes:

Tower storage is available in 56" & 70" heights.

Tower storage is available in 18" & 24" depths.

Door is available in frost acrylic

Four levelers with a leveling range of 2.5-inches are included.

Options:

Acrylic door **F** frosted

Height 56", 70"

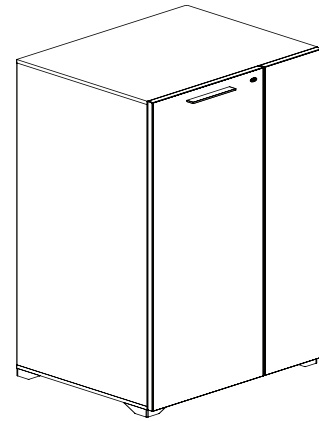
Depth 18", 24"

Door hinged side **L** left **R** right

Body Laminate laminate color

Face Laminate laminate color

Code	Price	H (in.)	W (in.)	D 1 (in.)	Weight (lb)	Volume (ft ³)
frost						
F-FTSF-561818-L	2102	56	18	18	36.29	10.5
F-FTSF-561818-R	2102	56	18	18	36.29	10.5
F-FTSF-561824-L	2202	56	18	24	48.38	14
F-FTSF-561824-R	2202	56	18	24	48.38	14
F-FTSF-562418-L	2357	56	24	18	48.38	14
F-FTSF-562418-R	2357	56	24	18	48.38	14
F-FTSF-562424-L	2471	56	24	24	64.51	18.67
F-FTSF-562424-R	2471	56	24	24	64.51	18.67
F-FTSF-701818-L	2413	70	18	18	45.36	13.13
F-FTSF-701818-R	2413	70	18	18	45.36	13.13
F-FTSF-701824-L	2531	70	18	24	60.48	17.5
F-FTSF-701824-R	2531	70	18	24	60.48	17.5
F-FTSF-702418-L	2720	70	24	18	60.48	17.5
F-FTSF-702418-R	2720	70	24	18	60.48	17.5
F-FTSF-702424-L	2856	70	24	24	80.64	23.33
F-FTSF-702424-R	2856	70	24	24	80.64	23.33



right side cabinet

What's Included:

Tower combo storage and keys for lock.

How to Specify:

Body refers to the top, side and back panels of the tower combo storage.

Face refers to the door front of the tower combo storage.

Handle is finished in silver, black or white powder coat.

Feet are finished in silver, black or white powder coat.

Tower combo storage can be keyed alike or keyed randomly for a workstation.

Lock is available in satin silver metal only.

Options:

Height 56", 70"

Depth 18", 24"

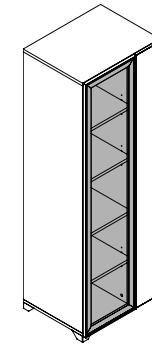
Door hinged side **L** left **R** right

Body Laminate laminate color

Face Laminate laminate color

Handle Color **H112** silver **H121** white **H122** black

Code	Price	H (in.)	W (in.)	D 1 (in.)	Weight (lb)	Volume (ft ³)
F-FCCS-562418-L	1839	56	24	18	53.76	14
F-FCCS-562418-R	1839	56	24	18	53.76	14
F-FCCS-562424-L	1958	56	24	24	71.68	18.67
F-FCCS-562424-R	1958	56	24	24	71.68	18.67
F-FCCS-702418-L	2119	70	24	18	67.2	17.5
F-FCCS-702418-R	2119	70	24	18	67.2	17.5
F-FCCS-702424-L	2269	70	24	24	89.6	23.33
F-FCCS-702424-R	2269	70	24	24	89.6	23.33



right side cabinet

What's Included:

Tower combo storage with acrylic hinged door.

How to Specify:

Body refers to the top, side and back panels of the tower combo storage.

Feet are finished in silver, black or white powder coat.

Options:

Acrylic sliding door **F** frosted

Height 56", 70"

Depth 18", 24"

Door hinged side **L** left **R** right

Body Laminate laminate color

Handle Color **H112** silver **H121** white **H122** black

Notes:

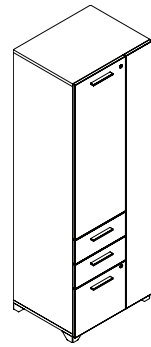
Tower combo storage is available in 56" & 70" heights.

Tower combo storage is available in 18" & 24" depths.

Storage door is available in frost and spider acrylic

Four levelers with a leveling range of 2.5-inches are included.

Code	Price	H (in.)	W (in.)	D 1 (in.)	Weight (lb)	Volume (ft ³)
F-FCCF-562418-L	2523	56	24	18	53.76	14
F-FCCF-562418-R	2523	56	24	18	53.76	14
F-FCCF-562424-L	2643	56	24	24	71.68	18.67
F-FCCF-562424-R	2643	56	24	24	71.68	18.67
F-FCCF-702418-L	2910	70	24	18	67.2	17.5
F-FCCF-702418-R	2910	70	24	18	67.2	17.5
F-FCCF-702424-L	3057	70	24	24	89.6	23.33
F-FCCF-702424-R	3057	70	24	24	89.6	23.33



right side cabinet

What's Included:

Tower combo storage (box/box/file drawer configuration) and keys for lock.

How to Specify:

Body refers to the top, side and back panels of the tower combo storage.

Face refers to the drawer front of the tower combo storage.

Handle is finished in silver, black or white powder coat.

Feet are finished in silver, black or white powder coat.

Tower combo storage can be keyed alike or keyed randomly for a workstation.

Lock is available in satin silver metal only.

Options:

Height 56", 70"

Depth 18", 24"

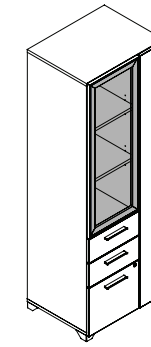
Door hinged side **L** left **R** right

Body Laminate laminate color

Face Laminate laminate color

Handle Color **H112** silver **H121** white **H122** black

Code	Price	H (in.)	W (in.)	D 1 (in.)	Weight (lb)	Volume (ft ³)
F-FCBS-562418-L	2373	56	24	18	60.48	14
F-FCBS-562418-R	2373	56	24	18	60.48	14
F-FCBS-562424-L	2492	56	24	24	80.64	18.67
F-FCBS-562424-R	2492	56	24	24	80.64	18.67
F-FCBS-702418-L	2650	70	24	18	75.6	17.5
F-FCBS-702418-R	2650	70	24	18	75.6	17.5
F-FCBS-702424-L	2799	70	24	24	100.8	23.33
F-FCBS-702424-R	2799	70	24	24	100.8	23.33



right side cabinet

What's Included:

Tower combo storage with acrylic hinged door (box/box/file drawer configuration).

How to Specify:

Body refers to the top, side and back panels of the tower combo storage closet.

Feet are finished in silver, black or white powder coat.

Options:

Acrylic sliding door **F** frosted

Height 56", 70"

Width 24"

Depth 18", 24"

Door hinged side **L** left **R** right

Body Laminate laminate color

Handle Color **H112** silver **H121** white **H122** black

Notes:

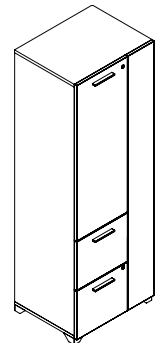
Tower combo storage is available in 56" & 70" heights.

Tower combo storage is available in 18" & 24" depths.

Storage door is available in frost r acrylic

Four levelers with a leveling range of 2.5-inches are included.

Code	Price	H (in.)	W (in.)	D 1 (in.)	Weight (lb)	Volume (ft ³)
F-FCBF-562418-L	2727	56	24	18	60.48	14
F-FCBF-562418-R	2727	56	24	18	60.48	14
F-FCBF-562424-L	2844	56	24	24	80.64	18.67
F-FCBF-562424-R	2844	56	24	24	80.64	18.67
F-FCBF-702418-L	3102	70	24	18	75.6	17.5
F-FCBF-702418-R	3102	70	24	18	75.6	17.5
F-FCBF-702424-L	3253	70	24	24	100.8	23.33
F-FCBF-702424-R	3253	70	24	24	100.8	23.33



right side cabinet

What's Included:

Tower combo storage (file/file drawer configuration) and keys for lock..

How to Specify:

Body refers to the top, side and back panels of the tower combo storage closet.

Face refers to the drawer front of the towercombo storage.

Feet are finished in silver, black or white powder coat.

Tower combo storage can be keyed alike or keyed randomly for a workstation.

Lock is available in satin silver metal only.

Notes:

Tower combo storage is available in 56" & 70" heights.

Tower combo storage is available in 18" & 24" depths.

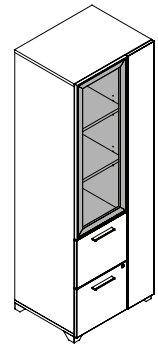
Storage door is available in frost acrylic

Four levelers with a leveling range of 2.5-inches are included.

Options:

Height	56", 70"		
Width	24"		
Depth	18", 24"		
Door hinged side	L left	R right	
Body Laminate	laminate color		
Handle Color	H112 silver	H121 white	H122 black

Code	Price	H (in.)	W (in.)	D 1 (in.)	Weight (lb)	Volume (ft ³)
F-FCFS-562418-L	2205	56	24	18	60.48	14
F-FCFS-562418-R	2205	56	24	18	60.48	14
F-FCFS-562424-L	2322	56	24	24	80.64	18.67
F-FCFS-562424-R	2322	56	24	24	80.64	18.67
F-FCFS-702418-L	2484	70	24	18	75.6	17.5
F-FCFS-702418-R	2484	70	24	18	75.6	17.5
F-FCFS-702424-L	2632	70	24	24	100.8	23.33
F-FCFS-702424-R	2632	70	24	24	100.8	23.33



right side cabinet

What's Included:

Tower combo storage with acrylic hinged door (file/file drawer configuration).

How to Specify:

Body refers to the top, side and back panels of the tower combo storage closet.

Feet are finished in silver, black or white powder coat.

Tower combo storage can be keyed alike or keyed randomly for a workstation.

Lock is available in satin silver metal only.

Notes:

Tower combo storage is available in 56" & 70" heights.

Tower combo storage is available in 18" & 24" depths.

Storage door is available in frost acrylic

Four levelers with a leveling range of 2.5-inches are included.

Options:

Acrylic door	F frosted
Height	56", 70"
Width	24"
Depth	18", 24"
Door hinged side	L left R right
Body Laminate	laminate color
Handle Color	H112 silver H121 white H122 black

Code	Price	H (in.)	W (in.)	D 1 (in.)	Weight (lb)	Volume (ft ³)
F-FCFF-562418-L	2555	56	24	18	60.48	14
F-FCFF-562418-R	2555	56	24	18	60.48	14
F-FCFF-562424-L	2671	56	24	24	80.64	18.67
F-FCFF-562424-R	2671	56	24	24	80.64	18.67
F-FCFF-702418-L	2933	70	24	18	75.6	17.5
F-FCFF-702418-R	2933	70	24	18	75.6	17.5
F-FCFF-702424-L	3080	70	24	24	100.8	23.33
F-FCFF-702424-R	3080	70	24	24	100.8	23.33



Scene Pricebook
November 2024
Surfaces

surface

type 1

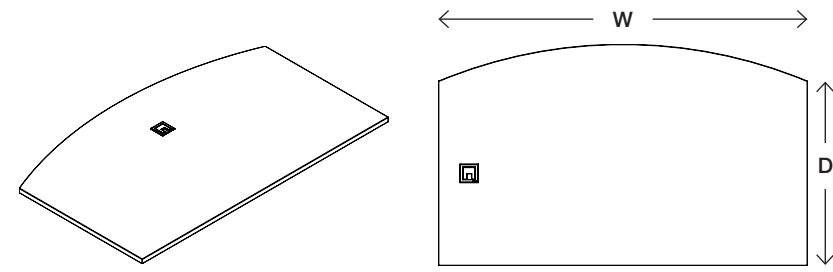
arc worksurface w/ center grommet	128
arc worksurface w/ side grommet	130
straight worksurface w/ center grommet	132
straight worksurface w/ side grommet	134
straight worksurface without grommet	136
unitized desk w/ side grommet	138
D worksurface w/ side grommet	140

credenza mounted

D worksurface w/ side grommet	142
straight worksurface	144
straight return w/ center grommet	146

flag storage

(single full side)	148
(single shared side)	150
(full / shared)	152
(shared / shared)	154



What's Included:

Arc worksurface (1) with a center grommet (1).

How to Specify:

Worksurface can be supported by a high credenza and a single support leg, a high credenza with one support gable or two support gables.

Square grommet can be specified in silver, white or black.

Edge color will default to match the surface color of the worksurface unless otherwise specified.

Notes:

Arc worksurface is 1-inch thick.

All worksurfaces have 2mm vinyl edge trim.

Low pressure laminate is available on the top surface of a worksurface.

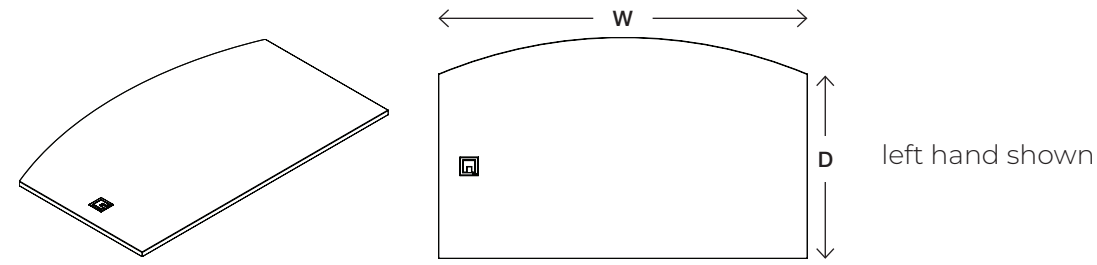
Options:

Width	60", 66", 72", 78", 84"		
Depth	30", 36"		
Grommet Color	P112 silver	P121 white	P114 black
Worksurface Laminate	laminate color		

How to Order and Read your Code:

F	WA0G	60	30
product line	item	width	depth

Code	Price	H (in.)	W (in.)	D 1 (in.)	Weight (lb)	Volume (ft ³)
F-WA0G-6030	960	1	60	30	40	1.25
F-WA0G-6630	1028	1	66	30	44	1.38
F-WA0G-7230	1093	1	72	30	48	1.5
F-WA0G-7830	1126	1	78	30	52	1.63
F-WA0G-8430	1158	1	84	30	56	1.75
F-WA0G-6036	1009	1	60	36	48	1.46
F-WA0G-6636	1062	1	66	36	52.8	1.6
F-WA0G-7236	1129	1	72	36	57.6	1.75
F-WA0G-7836	1158	1	78	36	62.4	1.9
F-WA0G-8436	1190	1	84	36	67.2	2.04



What's Included:

Arc worksurface (1) with a side grommet (1).

How to Specify:

Worksurface can be supported by a high credenza and a single support leg, a high credenza with one support gable or two support gables.

Square grommet can be specified in silver, white or black.

Edge color will default to match the surface color of the worksurface unless otherwise specified.

Notes:

Arc worksurface is 1-inch thick.

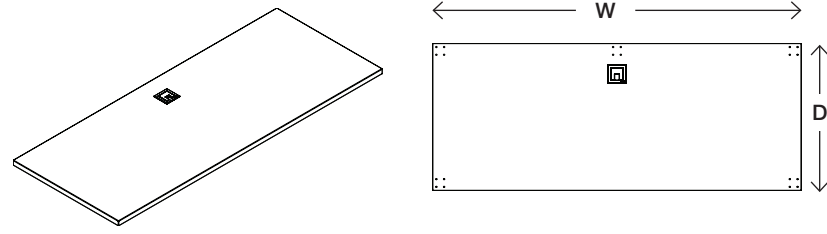
All worksurfaces have 2mm vinyl edge trim.

Low pressure laminate is available on the top surface of a worksurface.

Options:

Width	60", 66", 72", 78", 84"		
Depth	30", 36"		
Grommet side	L left	R right	
Grommet Color	P112 silver	P121 white	P114 black
Worksurface Laminate	laminate color		

Code	Price	H (in.)	W (in.)	D 1 (in.)	Weight (lb)	Volume (ft ³)
F-WASG-6030-L	960	1	60	30	40	1.25
F-WASG-6030-R	960	1	60	30	40	1.25
F-WASG-6036-L	1009	1	60	36	48	1.46
F-WASG-6036-R	1009	1	60	36	48	1.46
F-WASG-6630-L	1028	1	66	30	44	1.38
F-WASG-6630-R	1028	1	66	30	44	1.38
F-WASG-6636-L	1062	1	66	36	52.8	1.6
F-WASG-6636-R	1062	1	66	36	52.8	1.6
F-WASG-7230-L	1093	1	72	30	48	1.5
F-WASG-7230-R	1093	1	72	30	48	1.5
F-WASG-7236-L	1129	1	72	36	57.6	1.75
F-WASG-7236-R	1129	1	72	36	57.6	1.75
F-WASG-7830-L	1126	1	78	30	52	1.63
F-WASG-7830-R	1126	1	78	30	52	1.63
F-WASG-7836-L	1158	1	78	36	62.4	1.9
F-WASG-7836-R	1158	1	78	36	62.4	1.9
F-WASG-8430-L	1158	1	84	30	56	1.75
F-WASG-8430-R	1158	1	84	30	56	1.75
F-WASG-8436-L	1190	1	84	36	67.2	2.04
F-WASG-8436-R	1190	1	84	36	67.2	2.04



What's Included:

Straight worksurface (1) with a center grommet (1).

How to Specify:

Worksurface can be supported by a high credenza and a single support leg, a high credenza with one support gable or two support gables.

Square grommet can be specified in silver, white or black.

Edge color will default to match the surface color of the worksurface unless otherwise specified.

Notes:

Straight worksurface is 1-inch thick.

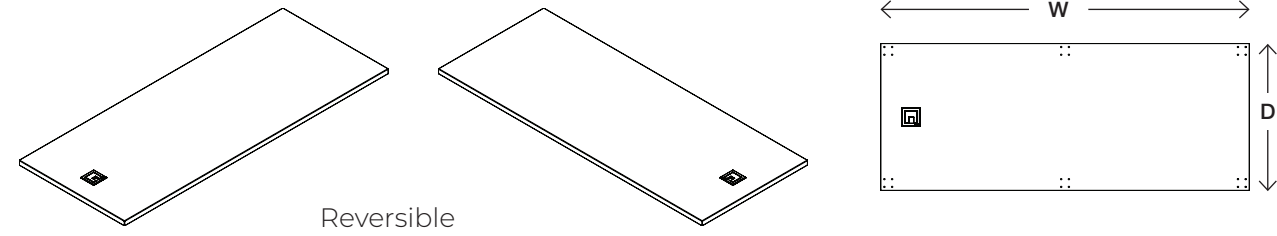
All worksurfaces have 2mm vinyl edge trim.

Low pressure laminate is available on the top surface of a worksurface.

Options:

Width	36", 42", 48", 54", 60", 66", 72", 78", 84", 90", 94"		
Depth	24", 30", 36"		
Grommet Color	P112 silver	P121 white	P114 black
Worksurface Laminate	laminate color		

Code	Price	H (in.)	W (in.)	D 1 (in.)	Weight (lb)	Volume (ft ³)
F-WS0G-3624	316	1	36	24	17.28	0.5
F-WS0G-4224	369	1	42	24	20.16	0.58
F-WS0G-4824	398	1	48	24	23.04	0.67
F-WS0G-5424	478	1	54	24	25.92	0.75
F-WS0G-6024	501	1	60	24	28.8	0.83
F-WS0G-6624	559	1	66	24	31.68	0.92
F-WS0G-7224	581	1	72	24	34.56	1
F-WS0G-7824	632	1	78	24	37.44	1.08
F-WS0G-8424	687	1	84	24	40.32	1.17
F-WS0G-9024	779	1	90	24	43.2	1.25
F-WS0G-9624	843	1	96	24	46.08	1.33
F-WS0G-3630	381	1	36	30	21.6	0.63
F-WS0G-4230	414	1	42	30	25.2	0.73
F-WS0G-4830	449	1	48	30	28.8	0.83
F-WS0G-5430	500	1	54	30	32.4	0.94
F-WS0G-6030	528	1	60	30	36	1.04
F-WS0G-6630	602	1	66	30	39.6	1.15
F-WS0G-7230	619	1	72	30	43.2	1.25
F-WS0G-7830	671	1	78	30	46.8	1.35
F-WS0G-8430	726	1	84	30	50.4	1.46
F-WS0G-9030	828	1	90	30	54	1.56
F-WS0G-9630	896	1	96	30	57.6	1.67
F-WS0G-3636	398	1	36	36	25.92	0.75
F-WS0G-4236	427	1	42	36	30.24	0.88
F-WS0G-4836	469	1	48	36	34.56	1
F-WS0G-5436	522	1	54	36	38.88	1.13
F-WS0G-6036	552	1	60	36	43.2	1.25
F-WS0G-6636	629	1	66	36	47.52	1.38
F-WS0G-7236	646	1	72	36	51.84	1.5
F-WS0G-7836	701	1	78	36	56.16	1.63
F-WS0G-8436	759	1	84	36	60.48	1.75
F-WS0G-9036	864	1	90	36	64.8	1.88
F-WS0G-9636	932	1	96	36	69.12	2



What's Included:

Straight worksurface (1) with a side grommet (1).

How to Specify:

Worksurface can be supported by a high credenza and a single support leg, a high credenza with one support gable or two support gables.

Square grommet can be specified in silver, white or black.

Edge color will default to match the surface color of the worksurface unless otherwise specified.

Notes:

Straight worksurface is 1-inch thick.

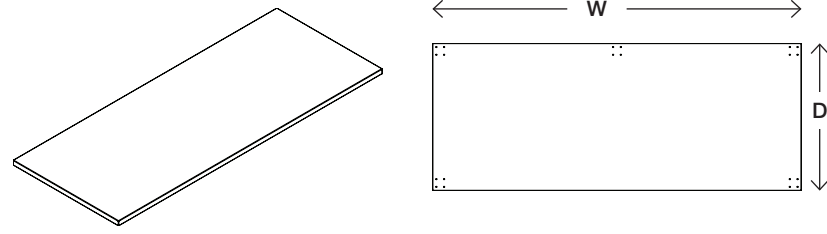
All worksurfaces have 2mm vinyl edge trim.

Low pressure laminate is available on the top surface of a worksurface.

Options:

Width	36", 42", 48", 54", 60", 66", 72", 78", 84", 90", 94"		
Depth	24", 30", 36"		
Grommet side	Reversible		
Grommet Color	P112 silver	P121 white	P114 black
Worksurface Laminate	laminate color		

Code	Price	H (in.)	W (in.)	D 1 (in.)	Weight (lb)	Volume (ft ³)
F-WSSG-3624	316	1	36	24	17.28	0.5
F-WSSG-4224	369	1	42	24	20.16	0.58
F-WSSG-4824	398	1	48	24	23.04	0.67
F-WSSG-5424	478	1	54	24	25.92	0.75
F-WSSG-6024	501	1	60	24	28.8	0.83
F-WSSG-6624	559	1	66	24	31.68	0.92
F-WSSG-7224	581	1	72	24	34.56	1
F-WSSG-7824	632	1	78	24	37.44	1.08
F-WSSG-8424	687	1	84	24	40.32	1.17
F-WSSG-9024	779	1	90	24	43.2	1.25
F-WSSG-9624	843	1	96	24	46.08	1.33
F-WSSG-3630	381	1	36	30	21.6	0.63
F-WSSG-4230	414	1	42	30	25.2	0.73
F-WSSG-4830	449	1	48	30	28.8	0.83
F-WSSG-5430	500	1	54	30	32.4	0.94
F-WSSG-6030	528	1	60	30	36	1.04
F-WSSG-6630	602	1	66	30	39.6	1.15
F-WSSG-7230	619	1	72	30	43.2	1.25
F-WSSG-7830	671	1	78	30	46.8	1.35
F-WSSG-8430	726	1	84	30	50.4	1.46
F-WSSG-9030	828	1	90	30	54	1.56
F-WSSG-9630	896	1	96	30	57.6	1.67
F-WSSG-3636	398	1	36	36	25.92	0.75
F-WSSG-4236	427	1	42	36	30.24	0.88
F-WSSG-4836	469	1	48	36	34.56	1
F-WSSG-5436	522	1	54	36	38.88	1.13
F-WSSG-6036	552	1	60	36	43.2	1.25
F-WSSG-6636	629	1	66	36	47.52	1.38
F-WSSG-7236	646	1	72	36	51.84	1.5
F-WSSG-7836	701	1	78	36	56.16	1.63
F-WSSG-8436	759	1	84	36	60.48	1.75
F-WSSG-9036	864	1	90	36	64.8	1.88
F-WSSG-9636	932	1	96	36	69.12	2



What's Included:

Straight worksurface (1).

How to Specify:

Worksurface can be supported by a high credenza and a single support leg, a high credenza with one support gable or two support gables.

Edge color will default to match the surface color of the worksurface unless otherwise specified.

Notes:

Straight worksurface is 1-inch thick.

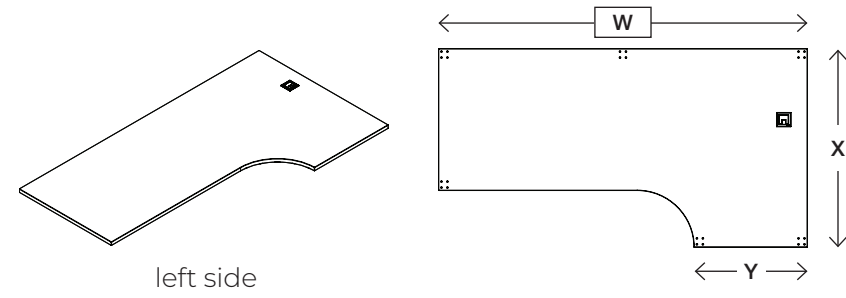
All worksurfaces have 2mm vinyl edge trim.

Low pressure laminate is available on the top surface of a worksurface.

Options:

Width	36", 42", 48", 54", 60", 66", 72", 78", 84", 90", 94"
Depth	24", 30", 36"
Worksurface Laminate	laminate color

Code	Price	H (in.)	W (in.)	D 1 (in.)	Weight (lb)	Volume (ft ³)
F-WS0N-3624	293	1	36	24	17.28	0.5
F-WS0N-4224	348	1	42	24	20.16	0.58
F-WS0N-4824	372	1	48	24	23.04	0.67
F-WS0N-5424	454	1	54	24	25.92	0.75
F-WS0N-6024	479	1	60	24	28.8	0.83
F-WS0N-6624	533	1	66	24	31.68	0.92
F-WS0N-7224	561	1	72	24	34.56	1
F-WS0N-7824	614	1	78	24	37.44	1.08
F-WS0N-8424	663	1	84	24	40.32	1.17
F-WS0N-9024	758	1	90	24	43.2	1.25
F-WS0N-9624	823	1	96	24	46.08	1.33
F-WS0N-3630	360	1	36	30	21.6	0.63
F-WS0N-4230	388	1	42	30	25.2	0.73
F-WS0N-4830	422	1	48	30	28.8	0.83
F-WS0N-5430	478	1	54	30	32.4	0.94
F-WS0N-6030	504	1	60	30	36	1.04
F-WS0N-6630	580	1	66	30	39.6	1.15
F-WS0N-7230	594	1	72	30	43.2	1.25
F-WS0N-7830	652	1	78	30	46.8	1.35
F-WS0N-8430	706	1	84	30	50.4	1.46
F-WS0N-9030	803	1	90	30	54	1.56
F-WS0N-9630	871	1	96	30	57.6	1.67
F-WS0N-3636	374	1	36	36	25.92	0.75
F-WS0N-4236	408	1	42	36	30.24	0.88
F-WS0N-4836	445	1	48	36	34.56	1
F-WS0N-5436	500	1	54	36	38.88	1.13
F-WS0N-6036	531	1	60	36	43.2	1.25
F-WS0N-6636	607	1	66	36	47.52	1.38
F-WS0N-7236	626	1	72	36	51.84	1.5
F-WS0N-7836	681	1	78	36	56.16	1.63
F-WS0N-8436	739	1	84	36	60.48	1.75
F-WS0N-9036	843	1	90	36	64.8	1.88
F-WS0N-9636	908	1	96	36	69.12	2



What's Included:

Unitized worksurface (1) with a side grommet (1).

How to Specify:

Worksurface can be supported by a high credenza and a single support leg, a high credenza with one support gable or two support gables.

Edge color will default to match the surface color of the worksurface unless otherwise specified.

Notes:

Unitized worksurface is 1-inch thick.

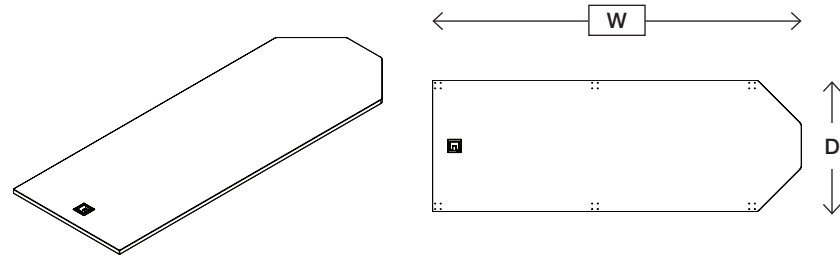
All worksurfaces have 2mm vinyl edge trim.

Low pressure laminate is available on the top surface of a worksurface.

Options:

Width	54", 60", 66", 72", 78", 84", 90", 96"		
X - Depth	36", 42"		
Y - Depth	24", 30"		
Grommet side	L left	R right	
Grommet Color	P112 silver	P121 white	P114 black
Worksurface Laminate	laminate color		

Code	Price	H (in.)	W (in.)	D 1 (in.)	Wt (lb)	Vol (ft ³)	Code	Price	H (in.)	W (in.)	D 1 (in.)	Wt (lb)	Vol (ft ³)
F-WUCG-543624-L	935	19	54	36	24.88	1.13	F-WUCG-724230-L	1204	19	72	42	41.13	1.75
F-WUCG-543624-R	935	19	54	36	24.88	1.13	F-WUCG-724230-R	1204	19	72	42	41.13	1.75
F-WUCG-544224-L	1052	19	54	42	39	1.31	F-WUCG-783624-L	1204	19	78	36	35.94	1.63
F-WUCG-544224-R	1052	19	54	42	39	1.31	F-WUCG-783624-R	1204	19	78	36	35.94	1.63
F-WUCG-544230-L	1052	19	54	42	39	1.31	F-WUCG-784224-L	1321	19	78	42	41.93	1.9
F-WUCG-544230-R	1052	19	54	42	39	1.31	F-WUCG-784224-R	1321	19	78	42	41.93	1.9
F-WUCG-603624-L	990	19	60	36	27.65	1.25	F-WUCG-784230-L	1321	19	78	42	44.55	1.9
F-WUCG-603624-R	990	19	60	36	27.65	1.25	F-WUCG-784230-R	1321	19	78	42	44.55	1.9
F-WUCG-604224-L	1107	19	60	42	32.26	1.46	F-WUCG-843624-L	1319	19	84	36	38.71	1.75
F-WUCG-604224-R	1107	19	60	42	32.26	1.46	F-WUCG-843624-R	1319	19	84	36	38.71	1.75
F-WUCG-604230-L	1107	19	60	42	34.27	1.46	F-WUCG-844224-L	1435	19	84	42	45.16	2.04
F-WUCG-604230-R	1107	19	60	42	34.27	1.46	F-WUCG-844224-R	1435	19	84	42	45.16	2.04
F-WUCG-663624-L	1044	19	66	36	30.41	1.38	F-WUCG-844230-L	1435	19	84	42	47.98	2.04
F-WUCG-663624-R	1044	19	66	36	30.41	1.38	F-WUCG-844230-R	1435	19	84	42	47.98	2.04
F-WUCG-664224-L	1162	19	66	42	35.48	1.6	F-WUCG-903624-L	1580	19	90	36	41.47	1.88
F-WUCG-664224-R	1162	19	66	42	35.48	1.6	F-WUCG-903624-R	1580	19	90	36	41.47	1.88
F-WUCG-664230-L	1162	19	66	42	37.7	1.6	F-WUCG-904224-L	1697	19	90	42	48.38	2.19
F-WUCG-664230-R	1162	19	66	42	37.7	1.6	F-WUCG-904224-R	1697	19	90	42	48.38	2.19
F-WUCG-723624-L	1089	19	72	36	33.18	1.5	F-WUCG-904230-L	1697	19	90	42	51.41	2.19
F-WUCG-723624-R	1089	19	72	36	33.18	1.5	F-WUCG-904230-R	1697	19	90	42	51.41	2.19
F-WUCG-724224-L	1204	19	72	42	38.71	1.75	F-WUCG-963624-L	1611	19	96	36	44.24	2
F-WUCG-724224-R	1204	19	72	42	38.71	1.75	F-WUCG-963624-R	1611	19	96	36	44.24	2
							F-WUCG-964224-L	1726	19	96	42	51.61	2.33
							F-WUCG-964224-R	1726	19	96	42	51.61	2.33
							F-WUCG-964230-L	1726	19	96	42	54.84	2.33
							F-WUCG-964230-R	1726	19	96	42	54.84	2.33



What's Included:

D worksurface (1) with a grommet (1).

How to Specify:

Worksurface can be supported by a high credenza and a single support leg, a high credenza with one support gable or two support gables.

Edge color will default to match the surface color of the worksurface unless otherwise specified.

Notes:

D worksurface is 1-inch thick.

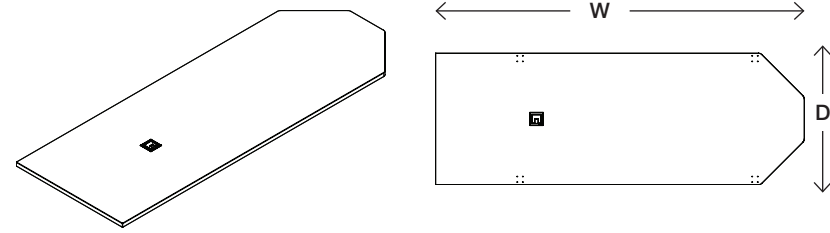
All worksurfaces have 2mm vinyl edge trim.

Low pressure laminate is available on the top surface of a worksurface.

Options:

Width	54", 60", 66", 72", 78", 84", 90", 96"		
Depth	24", 30", 36"		
Grommet Color	P112 silver	P121 white	P114 black
Worksurface Laminate	laminate color		

Code	Price	H (in.)	W (in.)	D 1 (in.)	Weight (lb)	Volume (ft ³)
24" depth						
F-WD0G-544624	649	1	54	24	25.92	0.75
F-WD0G-605224	701	1	60	24	28.8	0.83
F-WD0G-665824	826	1	66	24	31.68	0.92
F-WD0G-726424	886	1	72	24	34.56	1
F-WD0G-787024	1027	1	78	24	37.44	1.08
F-WD0G-847624	1076	1	84	24	40.32	1.17
F-WD0G-908224	1126	1	90	24	43.2	1.25
F-WD0G-968824	1176	1	96	24	46.08	1.33
F-WD0G-544430	718	1	54	30	32.4	0.94
30" depth						
F-WD0G-605030	778	1	60	30	36	1.04
F-WD0G-665630	911	1	66	30	39.6	1.15
F-WD0G-726230	986	1	72	30	43.2	1.25
F-WD0G-786830	1137	1	78	30	46.8	1.35
F-WD0G-847430	1191	1	84	30	50.4	1.46
F-WD0G-908030	1247	1	90	30	54	1.56
F-WD0G-968630	1306	1	96	30	57.6	1.67
36" depth						
F-WD0G-544236	784	1	54	36	38.88	1.13
F-WD0G-604836	853	1	60	36	43.2	1.25
F-WD0G-665436	1005	1	66	36	47.52	1.38
F-WD0G-726036	1080	1	72	36	51.84	1.5
F-WD0G-786636	1243	1	78	36	56.16	1.63
F-WD0G-847236	1308	1	84	36	60.48	1.75
F-WD0G-907836	1371	1	90	36	64.8	1.88
F-WD0G-968436	1432	1	96	36	69.12	2



What's Included:

D worksurface (1) .

How to Specify:

Worksurface can be supported by a high credenza and a single support leg, a high credenza with one support gable or two support gables.

Edge color will default to match the surface color of the worksurface unless otherwise specified.

Notes:

D worksurface is 1-inch thick.

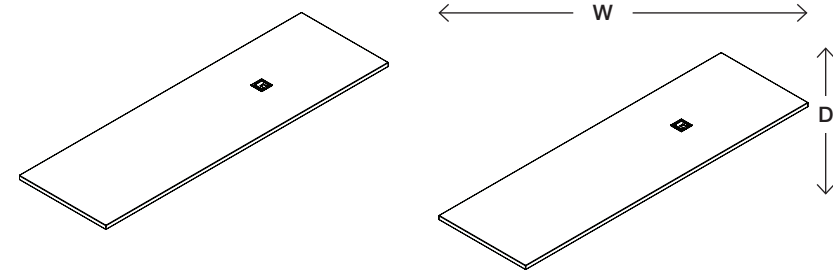
All worksurfaces have 2mm vinyl edge trim.

Low pressure laminate is available on the top surface of a worksurface.

Options:

Width	54", 60", 66", 72", 78", 84", 90", 96"		
Depth	24", 30", 36"		
Grommet Color	P112 silver	P121 white	P114 black
Worksurface Laminate	laminate color		

Code	Price	H (in.)	W (in.)	D 1 (in.)	Weight (lb)	Volume (ft ³)
F-WCDG-784836	1243	1	78	24	37.44	1.08
F-WCDG-785030	1137	1	84	24	40.32	1.17
F-WCDG-785224	1027	1	90	24	43.2	1.25
F-WCDG-845436	1308	1	96	24	46.08	1.33
F-WCDG-845630	1191	1	78	30	46.8	1.35
F-WCDG-845824	1076	1	84	30	50.4	1.46
F-WCDG-906036	1371	1	90	30	54	1.56
F-WCDG-906230	1247	1	96	30	57.6	1.67
F-WCDG-906424	1126	1	78	36	56.16	1.63
F-WCDG-966636	1432	1	84	36	60.48	1.75
F-WCDG-966830	1306	1	90	36	64.8	1.88
F-WCDG-967024	1176	1	96	36	69.12	2



What's Included:

Straight worksurface (1)

How to Specify:

Worksurface can be supported by a high credenza and a single support leg, a high credenza with one support gable or two support gables.

Edge color will default to match the surface color of the worksurface unless otherwise specified.

Notes:

Straight worksurface is 1-inch thick.

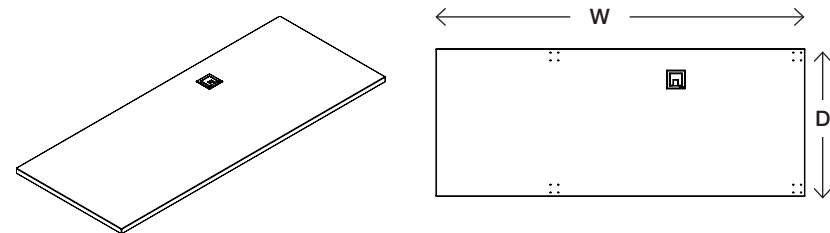
All worksurfaces have 2mm vinyl edge trim.

Low pressure laminate is available on the top surface of a worksurface.

Options:

Width	78", 84", 90", 96"
Depth	24", 30", 36"
Grommet Color	P112 silver P121 white P114 black
Worksurface Laminate	laminate color

Code	Price	H (in.)	W (in.)	D 1 (in.)	Weight (lb)	Volume (ft ³)
F-WCSG-786024	632	1	78	24	37.44	1.08
F-WCSG-846624	687	1	84	24	40.32	1.17
F-WCSG-907224	779	1	90	24	43.2	1.25
F-WCSG-967824	843	1	96	24	46.08	1.33
F-WCSG-786030	671	1	78	30	46.8	1.35
F-WCSG-846630	726	1	84	30	50.4	1.46
F-WCSG-907230	828	1	90	30	54	1.56
F-WCSG-967830	896	1	96	30	57.6	1.67
F-WCSG-786036	701	1	78	36	56.16	1.63
F-WCSG-846636	759	1	84	36	60.48	1.75
F-WCSG-907236	864	1	90	36	64.8	1.88
F-WCSG-967836	932	1	96	36	69.12	2



What's Included:

Straight return work surface (1).

How to Specify:

Work surface can be supported by a high credenza and a single support leg, a high credenza with one support gable or two support gables.

Edge color will default to match the surface color of the work surface unless otherwise specified.

Notes:

Straight return work surface is 1-inch thick.

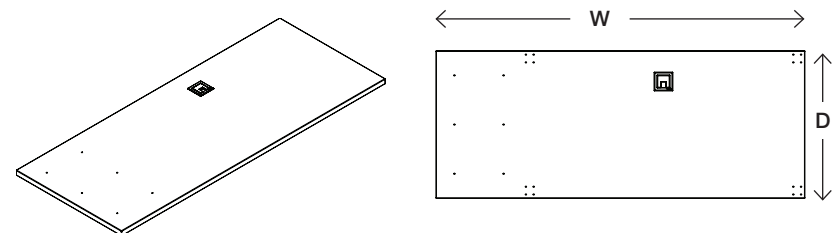
All work surfaces have 2mm vinyl edge trim.

Low pressure laminate is available on the top surface of a work surface.

Options:

Width	54", 60", 66", 72", 78", 84", 90"		
Depth	24", 30", 36"		
Grommet side	L left	R right	
Grommet Color	P112 silver	P121 white	P114 black
Work surface Laminate	laminate color		

Code	Price	H (in.)	W (in.)	D1 (in.)	Wt (lb)	Vol (ft³)	Code	Price	H (in.)	W (in.)	D1 (in.)	Wt (lb)	Vol (ft³)
F-WC0G-543624-L	478	19	54	24	28.8	0.75	F-WC0G-725430-R	619	19	72	30	40.5	1.25
F-WC0G-543624-R	478	19	54	24	28.8	0.75	F-WC0G-725436-L	646	19	72	36	47.4	1.5
F-WC0G-543630-L	500	19	54	30	36	0.94	F-WC0G-725436-R	646	19	72	36	47.4	1.5
F-WC0G-543630-R	500	19	54	30	36	0.94	F-WC0G-786024-L	632	19	78	24	36.8	1.08
F-WC0G-543636-L	522	19	54	36	43.2	1.13	F-WC0G-786024-R	632	19	78	24	36.8	1.08
F-WC0G-543636-R	522	19	54	36	43.2	1.13	F-WC0G-786030-L	671	19	78	30	42	1.35
F-WC0G-604224-L	501	19	60	24	30.8	0.83	F-WC0G-786030-R	671	19	78	30	42	1.35
F-WC0G-604224-R	501	19	60	24	30.8	0.83	F-WC0G-786036-L	701	19	78	36	48.8	1.63
F-WC0G-604230-L	528	19	60	30	37.5	1.04	F-WC0G-786036-R	701	19	78	36	48.8	1.63
F-WC0G-604230-R	528	19	60	30	37.5	1.04	F-WC0G-846624-L	687	19	84	24	38.8	1.17
F-WC0G-604236-L	552	19	60	36	44.6	1.25	F-WC0G-846624-R	687	19	84	24	38.8	1.17
F-WC0G-604236-R	552	19	60	36	44.6	1.25	F-WC0G-846630-L	726	19	84	30	43.5	1.46
F-WC0G-664824-L	559	19	66	24	32.8	0.92	F-WC0G-846630-R	726	19	84	30	43.5	1.46
F-WC0G-664824-R	559	19	66	24	32.8	0.92	F-WC0G-846636-L	759	19	84	36	50.2	1.75
F-WC0G-664830-L	602	19	66	30	39	1.15	F-WC0G-846636-R	759	19	84	36	50.2	1.75
F-WC0G-664830-R	602	19	66	30	39	1.15	F-WC0G-907224-L	779	19	90	24	40.8	1.25
F-WC0G-664836-L	629	19	66	36	46	1.38	F-WC0G-907224-R	779	19	90	24	40.8	1.25
F-WC0G-664836-R	629	19	66	36	46	1.38	F-WC0G-907230-L	828	19	90	30	45	1.56
F-WC0G-725424-L	581	19	72	24	34.8	1	F-WC0G-907230-R	828	19	90	30	45	1.56
F-WC0G-725424-R	581	19	72	24	34.8	1	F-WC0G-907236-L	864	19	90	36	51.6	1.87
F-WC0G-725430-L	619	19	72	30	40.5	1.25	F-WC0G-907236-R	864	19	90	36	51.6	1.87



left hand shown

What's Included:

Flag storage straight worksurface (1) with an offset grommet (1).

How to Specify:

Worksurface can be supported by a high credenza and a single support leg, a high credenza with one support gable or two support gables.

Edge color will default to match the surface color of the worksurface unless otherwise specified.

Notes:

Flag storage straight worksurface is 1-inch thick.

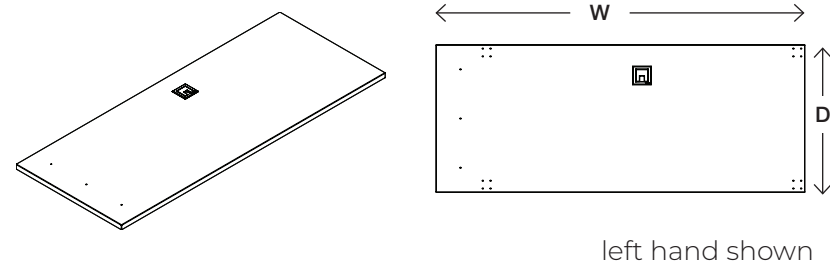
All worksurfaces have 2mm vinyl edge trim.

Low pressure laminate is available on the top surface of a worksurface.

Options:

Width	72", 78", 84", 90", 96"		
Depth	24", 30", 36"		
Flag storage	L left	R right	
Grommet Color	P112 silver	P121 white	P114 black
Worksurface Laminate	laminate color		

Code	Price	H (in.)	W (in.)	D1 (in.)	Wt (lb)	Vol (ft³)	Code	Price	H (in.)	W (in.)	D1 (in.)	Wt (lb)	Vol (ft³)
F-WF0G-604624-L	501	19	60	24	28.8	0.83	F-WF0G-786430-R	671	19	78	30	46.8	1.35
F-WF0G-604624-R	501	19	60	24	28.8	0.83	F-WF0G-786436-L	701	19	78	36	56.16	1.63
F-WF0G-604630-L	528	19	60	30	36	1.04	F-WF0G-786436-R	701	19	78	36	56.16	1.63
F-WF0G-604630-R	528	19	60	30	36	1.04	F-WF0G-847024-L	687	19	84	24	40.32	1.17
F-WF0G-604636-L	552	19	60	36	47.52	1.25	F-WF0G-847024-R	687	19	84	24	40.32	1.17
F-WF0G-604636-R	552	19	60	36	47.52	1.25	F-WF0G-847030-L	726	19	84	30	50.4	1.46
F-WF0G-665224-L	559	19	66	24	31.68	0.92	F-WF0G-847030-R	726	19	84	30	50.4	1.46
F-WF0G-665224-R	559	19	66	24	31.68	0.92	F-WF0G-847036-L	759	19	84	36	60.48	1.75
F-WF0G-665230-L	602	19	66	30	39.6	1.15	F-WF0G-847036-R	759	19	84	36	60.48	1.75
F-WF0G-665230-R	602	19	66	30	39.6	1.15	F-WF0G-907624-L	779	19	90	24	43.2	1.25
F-WF0G-665236-L	629	19	66	36	47.52	1.38	F-WF0G-907624-R	779	19	90	24	43.2	1.25
F-WF0G-665236-R	629	19	66	36	47.52	1.38	F-WF0G-907630-L	828	19	90	30	54	1.56
F-WF0G-725824-L	581	19	72	24	34.56	1	F-WF0G-907630-R	828	19	90	30	54	1.56
F-WF0G-725824-R	581	19	72	24	34.56	1	F-WF0G-907636-L	864	19	90	36	64.8	1.88
F-WF0G-725830-L	619	19	72	30	43.2	1.25	F-WF0G-907636-R	864	19	90	36	64.8	1.88
F-WF0G-725830-R	619	19	72	30	43.2	1.25	F-WF0G-968224-L	843	19	96	24	46.08	1.33
F-WF0G-725836-L	646	19	72	36	51.84	1.5	F-WF0G-968224-R	843	19	96	24	46.08	1.33
F-WF0G-725836-R	646	19	72	36	51.84	1.5	F-WF0G-968230-L	896	19	96	30	57.6	1.67
F-WF0G-786424-L	632	19	78	24	37.44	1.08	F-WF0G-968230-R	896	19	96	30	57.6	1.67
F-WF0G-786424-R	632	19	78	24	37.44	1.08	F-WF0G-968236-L	932	19	96	36	69.12	2
F-WF0G-786430-L	671	19	78	30	46.8	1.35	F-WF0G-968236-R	932	19	96	36	69.12	2



What's Included:

Flag storage straight worksurface (1) with an offset grommet (1).

How to Specify:

Worksurface can be supported by a high credenza and a single support leg, a high credenza with one support gable or two support gables.

Edge color will default to match the surface color of the worksurface unless otherwise specified.

Notes:

Flag storage straight worksurface is 1-inch thick.

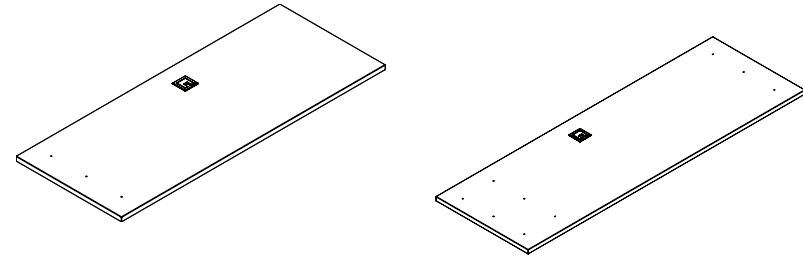
All worksurfaces have 2mm vinyl edge trim.

Low pressure laminate is available on the top surface of a worksurface.

Options:

Width	72", 78", 84", 90", 96"		
Depth	24", 30", 36"		
Flag storage	L left	R right	
Grommet Color	P112 silver	P121 white	P114 black
Worksurface Laminate	laminate color		

Code	Price	H (in.)	W (in.)	D 1 (in.)	Wt (lb)	Vol (ft³)	Code	Price	H (in.)	W (in.)	D 1 (in.)	Wt (lb)	Vol (ft³)
F-WF1G-605324-L	501	19	60	24	28.8	0.83	F-WF1G-787130-R	671	19	78	30	46.8	1.35
F-WF1G-605324-R	501	19	60	24	28.8	0.83	F-WF1G-787136-L	701	19	78	36	56.16	1.63
F-WF1G-605330-L	528	19	60	30	36	1.04	F-WF1G-787136-R	701	19	78	36	56.16	1.63
F-WF1G-605330-R	528	19	60	30	36	1.04	F-WF1G-847724-L	687	19	84	24	40.32	1.17
F-WF1G-605336-L	552	19	60	36	43.2	1.25	F-WF1G-847724-R	687	19	84	24	40.32	1.17
F-WF1G-605336-R	552	19	60	36	43.2	1.25	F-WF1G-847730-L	726	19	84	30	50.4	1.46
F-WF1G-665924-L	559	19	66	24	31.68	0.92	F-WF1G-847730-R	726	19	84	30	50.4	1.46
F-WF1G-665924-R	559	19	66	24	31.68	0.92	F-WF1G-847736-L	759	19	84	36	60.48	1.75
F-WF1G-665930-L	602	19	66	30	39.6	1.15	F-WF1G-847736-R	759	19	84	36	60.48	1.75
F-WF1G-665930-R	602	19	66	30	39.6	1.15	F-WF1G-908324-L	779	19	90	24	43.2	1.25
F-WF1G-665936-L	629	19	66	36	47.52	1.38	F-WF1G-908324-R	779	19	90	24	43.2	1.25
F-WF1G-665936-R	629	19	66	36	47.52	1.38	F-WF1G-908330-L	828	19	90	30	54	1.56
F-WF1G-726524-L	581	19	72	24	34.56	1	F-WF1G-908330-R	828	19	90	30	54	1.56
F-WF1G-726524-R	581	19	72	24	34.56	1	F-WF1G-908336-L	864	19	90	36	64.8	1.88
F-WF1G-726530-L	619	19	72	30	43.2	1.25	F-WF1G-908336-R	864	19	90	36	64.8	1.88
F-WF1G-726530-R	619	19	72	30	43.2	1.25	F-WF1G-968924-L	843	19	96	24	46.08	1.33
F-WF1G-726536-L	646	19	72	36	51.84	1.5	F-WF1G-968924-R	843	19	96	24	46.08	1.33
F-WF1G-726536-R	646	19	72	36	51.84	1.5	F-WF1G-968930-L	896	19	96	30	57.6	1.67
F-WF1G-787124-L	632	19	78	24	37.44	1.08	F-WF1G-968930-R	896	19	96	30	57.6	1.67
F-WF1G-787124-R	632	19	78	24	37.44	1.08	F-WF1G-968936-L	932	19	96	36	69.12	2
F-WF1G-787130-L	671	19	78	30	46.8	1.35	F-WF1G-968936-R	932	19	96	36	69.12	2



What's Included:

Flag storage straight worksurface (1) with an offset grommet (1).

How to Specify:

Worksurface can be supported by a high credenza and a single support leg, a high credenza with one support gable or two support gables.

Edge color will default to match the surface color of the worksurface unless otherwise specified.

Notes:

Flag storage straight desk worksurface is 1-inch thick.

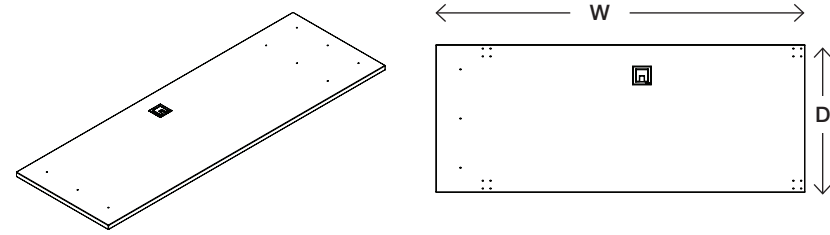
All worksurfaces have 2mm vinyl edge trim.

Low pressure laminate is available on the top surface of a worksurface.

Options:

Width	72", 78", 84", 90", 96"		
Depth	24", 30", 36"		
Flag storage	L left	R right	
Grommet Color	P112 silver	P121 white	P114 black
Worksurface Laminate	laminate color		

Code	Price	H (in.)	W (in.)	D 1 (in.)	Wt (lb)	Vol (ft³)	Code	Price	H (in.)	W (in.)	D 1 (in.)	Wt (lb)	Vol (ft³)
F-WF1G-968936-R	932	19	96	36	69.12	2	F-WF2G-967524-R	843	19	96	24	46.08	1.33
F-WF2G-725124-L	581	19	72	24	34.56	1	F-WF2G-967530-L	896	19	96	30	57.6	1.67
F-WF2G-725124-R	581	19	72	24	34.56	1	F-WF2G-967530-R	896	19	96	30	57.6	1.67
F-WF2G-725130-L	619	19	72	30	43.2	1.25	F-WF2G-967536-L	932	19	96	36	69.12	2
F-WF2G-725130-R	619	19	72	30	43.2	1.25	F-WF2G-967536-R	932	19	96	36	69.12	2
F-WF2G-725136-L	646	19	72	36	51.84	1.5	F-WF2G-604624	501	19	60	24	28.8	0.83
F-WF2G-725136-R	646	19	72	36	51.84	1.5	F-WF2G-665224	559	19	66	24	31.68	0.92
F-WF2G-785724-L	632	19	78	24	37.44	1.08	F-WF2G-725824	581	19	72	24	34.56	1
F-WF2G-785724-R	632	19	78	24	37.44	1.08	F-WF2G-786424	632	19	78	24	37.44	1.08
F-WF2G-785730-L	671	19	78	30	46.8	1.35	F-WF2G-847024	687	19	84	24	40.32	1.17
F-WF2G-785730-R	671	19	78	30	46.8	1.35	F-WF2G-907624	779	19	90	24	43.2	1.25
F-WF2G-785736-L	701	19	78	36	56.16	1.63	F-WF2G-968224	843	19	96	24	46.08	1.33
F-WF2G-785736-R	701	19	78	36	56.16	1.63	F-WF2G-604630	528	19	60	30	36	1.04
F-WF2G-846324-L	687	19	84	24	40.32	1.17	F-WF2G-665230	602	19	66	30	39.6	1.15
F-WF2G-846324-R	687	19	84	24	40.32	1.17	F-WF2G-725830	619	19	72	30	43.2	1.25
F-WF2G-846330-L	726	19	84	30	50.4	1.46	F-WF2G-786430	671	19	78	30	46.8	1.35
F-WF2G-846330-R	726	19	84	30	50.4	1.46	F-WF2G-847030	726	19	84	30	50.4	1.46
F-WF2G-846336-L	759	19	84	36	60.48	1.75	F-WF2G-907630	828	19	90	30	54	1.56
F-WF2G-846336-R	759	19	84	36	60.48	1.75	F-WF2G-968230	896	19	96	30	57.6	1.67
F-WF2G-906924-L	779	19	90	24	43.2	1.25	F-WF2G-604636	552	19	60	36	43.2	1.25
F-WF2G-906924-R	779	19	90	24	43.2	1.25	F-WF2G-665236	629	19	66	36	47.52	1.38
F-WF2G-906930-L	828	19	90	30	54	1.56	F-WF2G-725836	646	19	72	36	51.84	1.5
F-WF2G-906930-R	828	19	90	30	54	1.56	F-WF2G-786436	701	19	78	36	56.16	1.63
F-WF2G-906936-L	864	19	90	36	64.8	1.88	F-WF2G-847036	759	19	84	36	60.48	1.75
F-WF2G-906936-R	864	19	90	36	64.8	1.88	F-WF2G-907636	864	19	90	36	64.8	1.88
F-WF2G-967524-L	843	19	96	24	46.08	1.33	F-WF2G-968236	932	19	96	36	69.12	2



What's Included:

Flag storage straight worksurface (1) with a center grommet (1).

How to Specify:

Worksurface can be supported by a high credenza and a single support leg, a high credenza with one support gable or two support gables.

Edge color will default to match the surface color of the worksurface unless otherwise specified.

Notes:

Flag storage straight desk worksurface is 1-inch thick.

All worksurfaces have 2mm vinyl edge trim.

Low pressure laminate is available on the top surface of a worksurface.

Options:

Width	60", 66", 72", 78", 84", 90", 96"		
Depth	24", 30", 36"		
Grommet Color	P112 silver	P121 white	P114 black
Worksurface Laminate	laminate color		

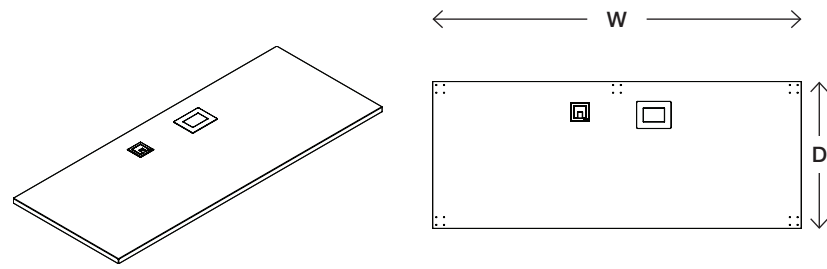
Code	Price	H (in.)	W (in.)	D 1 (in.)	Weight (lb)	Volume (ft ³)
F-WF2G-604624	501	1	60	24	28.8	0.83
F-WF2G-665224	559	1	66	24	31.68	0.92
F-WF2G-725824	581	1	72	24	34.56	1
F-WF2G-786424	632	1	78	24	37.44	1.08
F-WF2G-847024	687	1	84	24	40.32	1.17
F-WF2G-907624	779	1	90	24	43.2	1.25
F-WF2G-968224	843	1	96	24	46.08	1.33
F-WF2G-604630	528	1	60	30	36	1.04
F-WF2G-665230	602	1	66	30	39.6	1.15
F-WF2G-725830	619	1	72	30	43.2	1.25
F-WF2G-786430	671	1	78	30	46.8	1.35
F-WF2G-847030	726	1	84	30	50.4	1.46
F-WF2G-907630	828	1	90	30	54	1.56
F-WF2G-968230	896	1	96	30	57.6	1.67
F-WF2G-604636	552	1	60	36	43.2	1.25
F-WF2G-665236	629	1	66	36	47.52	1.38
F-WF2G-725836	646	1	72	36	51.84	1.5
F-WF2G-786436	701	1	78	36	56.16	1.63
F-WF2G-847036	759	1	84	36	60.48	1.75
F-WF2G-907636	864	1	90	36	64.8	1.88
F-WF2G-968236	932	1	96	36	69.12	2



Scene Pricebook
November 2024
**Surfaces with
Power Grommet**

surface with power grommet

<u>straight worksurface</u>	158
<u>credenza surface straight return</u>	160



What's Included:

Straight worksurface (1) with a cable grommet (1) and a power grommet (1). Power grommet comes with a power outlet (1) and a USB port (1).

How to Specify:

Worksurface can be supported by a high credenza and a single support leg, a high credenza with one support gable or two support gables.

Grommet can be specified in silver, white or black.

Edge color will default to match the surface color of the worksurface unless otherwise specified.

Edge color will default to match the surface color of the worksurface unless otherwise specified.

Notes:

Straight worksurface is 1-inch thick.

All worksurfaces have 2mm vinyl edge trim.

Low pressure laminate is available on the top surface of a worksurface.

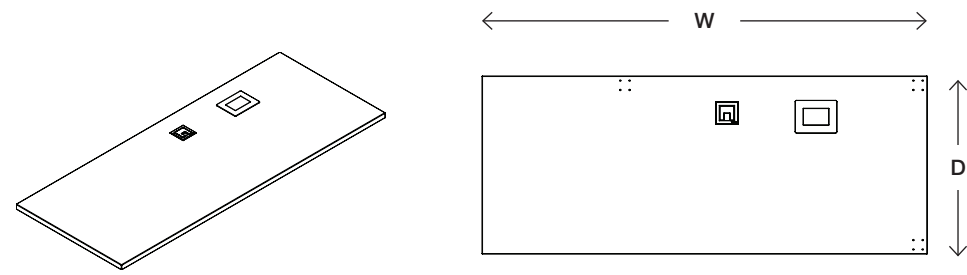
Options:

Width	36", 42", 48", 54", 60", 66", 72", 78", 84", 90", 96"		
Depth	24", 30", 36"		
Grommet Color	P112 silver	P121 white	P114 black
Worksurface Laminate	laminate color		

How to Order and Read your Code:

F	WSPG	60	30
product line	item	width	depth

Code	Price	H (in.)	W (in.)	D 1 (in.)	Weight (lb)	Volume (ft ³)
F-WSPG-3624	1075	1	36	24	17.28	0.5
F-WSPG-4224	1129	1	42	24	20.16	0.58
F-WSPG-4824	1158	1	48	24	23.04	0.67
F-WSPG-5424	1238	1	54	24	25.92	0.75
F-WSPG-6024	1264	1	60	24	28.8	0.83
F-WSPG-6624	1318	1	66	24	31.68	0.92
F-WSPG-7224	1343	1	72	24	34.56	1
F-WSPG-7824	1397	1	78	24	37.44	1.08
F-WSPG-8424	1445	1	84	24	40.32	1.17
F-WSPG-9024	1538	1	90	24	43.2	1.25
F-WSPG-9624	1605	1	96	24	46.08	1.33
F-WSPG-3630	1142	1	36	30	21.6	0.63
F-WSPG-4230	1170	1	42	30	25.2	0.73
F-WSPG-4830	1208	1	48	30	28.8	0.83
F-WSPG-5430	1260	1	54	30	32.4	0.94
F-WSPG-6030	1290	1	60	30	36	1.04
F-WSPG-6630	1361	1	66	30	39.6	1.15
F-WSPG-7230	1377	1	72	30	43.2	1.25
F-WSPG-7830	1434	1	78	30	46.8	1.35
F-WSPG-8430	1487	1	84	30	50.4	1.46
F-WSPG-9030	1587	1	90	30	54	1.56
F-WSPG-9630	1653	1	96	30	57.6	1.67
F-WSPG-3636	1158	1	36	36	25.92	0.75
F-WSPG-4236	1190	1	42	36	30.24	0.88
F-WSPG-4836	1226	1	48	36	34.56	1
F-WSPG-5436	1280	1	54	36	38.88	1.13
F-WSPG-6036	1313	1	60	36	43.2	1.25
F-WSPG-6636	1386	1	66	36	47.52	1.38
F-WSPG-7236	1408	1	72	36	51.84	1.5
F-WSPG-7836	1461	1	78	36	56.16	1.63
F-WSPG-8436	1522	1	84	36	60.48	1.75
F-WSPG-9036	1624	1	90	36	64.8	1.88
F-WSPG-9636	1692	1	96	36	69.12	2



What's Included:

Credenza worksurface (1) with cable, grommet (1) and a power grommet (1). Power grommet comes with a power outlet (1) and a USB port (1).

How to Specify:

Worksurface can be supported by a high credenza and a single support leg, a high credenza with one support gable or two support gables.

Grommet can be specified in silver, white or black.

Edge color will default to match the surface color of the worksurface unless otherwise specified.

Notes:

Straight credenza worksurface is 1-inch thick.

All worksurfaces have 2mm vinyl edge trim.

Low pressure laminate is available on the top surface of a worksurface.

Options:

Width	54", 60", 66", 72", 78", 84", 90"		
Depth	24", 30", 36"		
Grommet Color	P112 silver	P121 white	P114 black
Worksurface Laminate	laminate color		

How to Order and Read your Code:

F **WCPG** **60** **30**
 product line item width depth

Code	Price	H (in.)	W (in.)	D 1 (in.)	Weight (lb)	Volume (ft ³)
F-WCPG-543624-L	1238	1	54	24	28.8	0.75
F-WCPG-543624-R	1238	1	54	24	28.8	0.75
F-WCPG-543630-L	1260	1	54	30	36	0.94
F-WCPG-543630-R	1260	1	54	30	36	0.94
F-WCPG-543636-L	1280	1	54	36	43.2	1.13
F-WCPG-543636-R	1280	1	54	36	43.2	1.13
F-WCPG-604224-L	1264	1	60	24	30.8	0.83
F-WCPG-604224-R	1264	1	60	24	30.8	0.83

Code	Price	H (in.)	W (in.)	D 1 (in.)	Weight (lb)	Volume (ft ³)
F-WCPG-604230-L	1290	1	60	30	37.5	1.04
F-WCPG-604230-R	1290	1	60	30	37.5	1.04
F-WCPG-604236-L	1313	1	60	36	44.6	1.25
F-WCPG-604236-R	1313	1	60	36	44.6	1.25
F-WCPG-664824-L	1318	1	66	24	32.8	0.92
F-WCPG-664824-R	1318	1	66	24	32.8	0.92
F-WCPG-664830-L	1361	1	66	30	39	1.15
F-WCPG-664830-R	1361	1	66	30	39	1.15
F-WCPG-664836-L	1386	1	66	36	46	1.38
F-WCPG-664836-R	1386	1	66	36	46	1.38
F-WCPG-725424-L	1343	1	72	24	34.8	1
F-WCPG-725424-R	1343	1	72	24	34.8	1
F-WCPG-725430-L	1377	1	72	30	40.5	1.25
F-WCPG-725430-R	1377	1	72	30	40.5	1.25
F-WCPG-725436-L	1408	1	72	36	47.4	1.5
F-WCPG-725436-R	1408	1	72	36	47.4	1.5
F-WCPG-786024-L	1397	1	78	24	36.8	1.08
F-WCPG-786024-R	1397	1	78	24	36.8	1.08
F-WCPG-786030-L	1434	1	78	30	42	1.35
F-WCPG-786030-R	1434	1	78	30	42	1.35
F-WCPG-786036-L	1461	1	78	36	48.8	1.63
F-WCPG-786036-R	1461	1	78	36	48.8	1.63
F-WCPG-846624-L	1445	1	84	24	38.8	1.17
F-WCPG-846624-R	1445	1	84	24	38.8	1.17
F-WCPG-846630-L	1487	1	84	30	43.5	1.46
F-WCPG-846630-R	1487	1	84	30	43.5	1.46
F-WCPG-846636-L	1522	1	84	36	50.2	1.75
F-WCPG-846636-R	1522	1	84	36	50.2	1.75
F-WCPG-907224-L	1538	1	90	24	40.8	1.25
F-WCPG-907224-R	1538	1	90	24	40.8	1.25
F-WCPG-907230-L	1587	1	90	30	45	1.56
F-WCPG-907230-R	1587	1	90	30	45	1.56
F-WCPG-907236-L	1624	1	90	36	51.6	1.88
F-WCPG-907236-R	1624	1	90	36	51.6	1.88



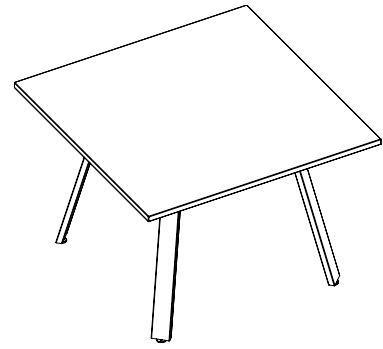
Scene Pricebook
November 2024

Table



freestanding square table 164

freestanding round table 165



What's Included:

Square table top (1) and four single support legs (4).

How to Specify:

Edge color will default to match the surface color of the worksurface unless otherwise specified.

Options:

Width	36", 42", 48"		
Worksurface Laminate	laminate color		
Leg Color	P112 silver	P121 white	P114 black

Notes:

Table top is 1-inch thick.

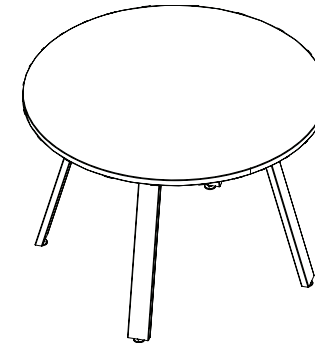
All worksurfaces have 2mm vinyl edge trim.

Low pressure laminate is available on the top surface of a worksurface.

How to Order and Read your Code:

F	TSSL	42	42
product line	item	width	depth

Code	Price	H (in.)	W (in.)	D 1 (in.)	Weight (lb)	Volume (ft ³)
F-TSSL-3636	1608	29	36	36	97	0.75
F-TSSL-4242	1747	29	42	42	113	1.02
F-TSSL-4848	1910	29	48	48	129.01	1.33



What's Included:

Round table top (1) and four single support legs (4).

How to Specify:

Edge color will default to match the surface color of the worksurface unless otherwise specified.

Options:

Width	36", 42", 48"		
Worksurface Laminate	laminate color		
Leg Color	P112 silver	P121 white	P114 black

Notes:

Table top is 1-inch thick.

All worksurfaces have 2mm vinyl edge trim.

Low pressure laminate is available on the top surface of a worksurface.

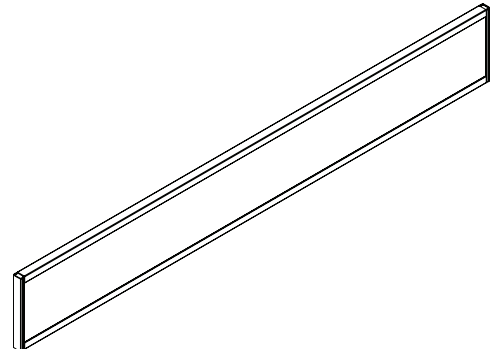
Code	Price	H (in.)	W (in.)	D 1 (in.)	Weight (lb)	Volume (ft ³)
F-TOSL-36	1715	29	36	36	97	0.75
F-TOSL-42	1876	29	42	42	113	1.02
F-TOSL-48	2055	29	48	48	129.01	1.33



Scene Pricebook
November 2024
Screens

screens

privacy screen - end to end	168	fabric	192
solid	168	6" height	192
6" height	169	12" height	193
12" height	170	14" height	194
14" height	171	20" height	195
20" height	172	frost acrylic	196
whiteboard	173	6" height	196
12" height	173	12" height	197
14" height	174	14" height	198
20" height	175	20" height	199
6" height	176	privacy screen - share to share	200
fabric	176	solid	200
12" height	177	6" height	201
14" height	178	12" height	202
20" height	179	14" height	203
frost acrylic	180	20" height	204
6" height	180	whiteboard	205
12" height	181	12" height	205
14" height	182	14" height	206
20" height	183	20" height	207
privacy screen - end to share	184	fabric 208	
solid 184		6" height	208
6" height	185	12" height	209
12" height	186	14" height	210
14" height	187	20" height	211
20" height	188	frost acrylic	212
whiteboard	189	6" height	212
12" height	189	12" height	213
14" height	190	14" height	214
20" height	191	20" height	215



What's Included:

Privacy Screen (1), Horizontal Rails (2), Privacy Screen Retainers (2)..

How to Specify:

Available in various heights and widths to provide specific workstation requirements

Privacy screens can be specified in solid laminate, whiteboard, fabric tackboard, quilted felt, and frost acrylic.

Notes:

Privacy screen posts are 2-inches by 2-inches wide, sold separately.

Options:

Height	6", 12", 14", 20"
Width	24", 30", 36", 42", 44", 45", 46", 48", 50", 51", 52", 53", 54", 56", 57", 58", 59", 60", 62", 63", 64", 65", 66", 68", 69", 70", 71", 72"
Screen material	S solid Q felt W whiteboard T fabric/tackboard F frost

How to Order and Read your Code:

F	SEE	12	60	F
product line	item	height	width	acrylic

Code	Price	H (in.)	W (in.)	D 1 (in.)	Weight (lb)	Volume (ft ³)
F-SEE-0624-S	48	5.38	20.44	0.5	2.88	0.03
F-SEE-0630-S	55	5.38	26.44	0.5	3.6	0.04
F-SEE-0636-S	63	5.38	32.44	0.5	4.32	0.05
F-SEE-0642-S	72	5.38	38.44	0.5	5.04	0.06
F-SEE-0644-S	77	5.38	40.44	0.5	5.28	0.06
F-SEE-0645-S	77	5.38	41.44	0.5	5.4	0.06
F-SEE-0646-S	82	5.38	42.44	0.5	5.52	0.07
F-SEE-0648-S	82	5.38	44.44	0.5	5.76	0.07
F-SEE-0650-S	86	5.38	46.44	0.5	6	0.07
F-SEE-0651-S	86	5.38	47.44	0.5	6.12	0.07
F-SEE-0652-S	89	5.38	48.44	0.5	6.24	0.08
F-SEE-0653-S	89	5.38	49.44	0.5	6.36	0.08
F-SEE-0654-S	89	5.38	50.44	0.5	6.48	0.08
F-SEE-0656-S	93	5.38	52.44	0.5	6.72	0.08
F-SEE-0657-S	93	5.38	53.44	0.5	6.84	0.08
F-SEE-0658-S	100	5.38	54.44	0.5	6.96	0.08
F-SEE-0659-S	100	5.38	55.44	0.5	7.08	0.09
F-SEE-0660-S	100	5.38	56.44	0.5	7.2	0.09
F-SEE-0662-S	102	5.38	58.44	0.5	7.44	0.09
F-SEE-0663-S	102	5.38	59.44	0.5	7.56	0.09
F-SEE-0664-S	109	5.38	60.44	0.5	7.68	0.09
F-SEE-0665-S	109	5.38	61.44	0.5	7.8	0.1
F-SEE-0666-S	109	5.38	62.44	0.5	7.92	0.1

Code	Price	H (in.)	W (in.)	D 1 (in.)	Weight (lb)	Volume (ft ³)
F-SEE-1224-S	59	11.38	20.44	0.5	5.76	0.07
F-SEE-1230-S	71	11.38	26.44	0.5	7.2	0.09
F-SEE-1236-S	84	11.38	32.44	0.5	8.64	0.11
F-SEE-1242-S	94	11.38	38.44	0.5	10.08	0.13
F-SEE-1244-S	101	11.38	40.44	0.5	10.56	0.13
F-SEE-1245-S	101	11.38	41.44	0.5	10.8	0.14
F-SEE-1246-S	109	11.38	42.44	0.5	11.04	0.14
F-SEE-1248-S	109	11.38	44.44	0.5	11.52	0.15
F-SEE-1250-S	113	11.38	46.44	0.5	12	0.15
F-SEE-1251-S	113	11.38	47.44	0.5	12.24	0.16
F-SEE-1252-S	120	11.38	48.44	0.5	12.48	0.16
F-SEE-1253-S	120	11.38	49.44	0.5	12.72	0.16
F-SEE-1254-S	120	11.38	50.44	0.5	12.96	0.17
F-SEE-1256-S	126	11.38	52.44	0.5	13.44	0.17
F-SEE-1257-S	126	11.38	53.44	0.5	13.68	0.18
F-SEE-1258-S	129	11.38	54.44	0.5	13.92	0.18
F-SEE-1259-S	129	11.38	55.44	0.5	14.16	0.18
F-SEE-1260-S	129	11.38	56.44	0.5	14.4	0.19
F-SEE-1262-S	138	11.38	58.44	0.5	14.88	0.19
F-SEE-1263-S	138	11.38	59.44	0.5	15.12	0.2
F-SEE-1264-S	142	11.38	60.44	0.5	15.36	0.2
F-SEE-1265-S	142	11.38	61.44	0.5	15.6	0.2
F-SEE-1266-S	142	11.38	62.44	0.5	15.84	0.21

Code	Price	H (in.)	W (in.)	D 1 (in.)	Weight (lb)	Volume (ft ³)
F-SEE-1424-S	63	13.25	20.44	0.5	6.72	0.08
F-SEE-1430-S	77	13.25	26.44	0.5	8.4	0.1
F-SEE-1436-S	89	13.25	32.44	0.5	10.08	0.12
F-SEE-1442-S	102	13.25	38.44	0.5	11.76	0.15
F-SEE-1444-S	111	13.25	40.44	0.5	12.32	0.16
F-SEE-1445-S	111	13.25	41.44	0.5	12.6	0.16
F-SEE-1446-S	116	13.25	42.44	0.5	12.88	0.16
F-SEE-1448-S	116	13.25	44.44	0.5	13.44	0.17
F-SEE-1450-S	124	13.25	46.44	0.5	14	0.18
F-SEE-1451-S	124	13.25	47.44	0.5	14.28	0.18
F-SEE-1452-S	127	13.25	48.44	0.5	14.56	0.19
F-SEE-1453-S	127	13.25	49.44	0.5	14.84	0.19
F-SEE-1454-S	127	13.25	50.44	0.5	15.12	0.19
F-SEE-1456-S	133	13.25	52.44	0.5	15.68	0.2
F-SEE-1457-S	133	13.25	53.44	0.5	15.96	0.2
F-SEE-1458-S	141	13.25	54.44	0.5	16.24	0.21
F-SEE-1459-S	141	13.25	55.44	0.5	16.52	0.21
F-SEE-1460-S	141	13.25	56.44	0.5	16.8	0.22
F-SEE-1462-S	149	13.25	58.44	0.5	17.36	0.22
F-SEE-1463-S	149	13.25	59.44	0.5	17.64	0.23
F-SEE-1464-S	154	13.25	60.44	0.5	17.92	0.23
F-SEE-1465-S	154	13.25	61.44	0.5	18.2	0.24
F-SEE-1466-S	154	13.25	62.44	0.5	18.48	0.24

Code	Price	H (in.)	W (in.)	D 1 (in.)	Weight (lb)	Volume (ft ³)
F-SEE-2024-S	80	19.25	20.44	0.5	9.6	0.11
F-SEE-2030-S	91	19.25	26.44	0.5	12	0.15
F-SEE-2036-S	111	19.25	32.44	0.5	14.4	0.18
F-SEE-2042-S	126	19.25	38.44	0.5	16.8	0.21
F-SEE-2044-S	131	19.25	40.44	0.5	17.6	0.23
F-SEE-2045-S	131	19.25	41.44	0.5	18	0.23
F-SEE-2046-S	141	19.25	42.44	0.5	18.4	0.24
F-SEE-2048-S	141	19.25	44.44	0.5	19.2	0.25
F-SEE-2050-S	151	19.25	46.44	0.5	20	0.26
F-SEE-2051-S	151	19.25	47.44	0.5	20.4	0.26
F-SEE-2052-S	156	19.25	48.44	0.5	20.8	0.27
F-SEE-2053-S	156	19.25	49.44	0.5	21.2	0.28
F-SEE-2054-S	156	19.25	50.44	0.5	21.6	0.28
F-SEE-2056-S	165	19.25	52.44	0.5	22.4	0.29
F-SEE-2057-S	165	19.25	53.44	0.5	22.8	0.3
F-SEE-2058-S	174	19.25	54.44	0.5	23.2	0.3
F-SEE-2059-S	174	19.25	55.44	0.5	23.6	0.31
F-SEE-2060-S	174	19.25	56.44	0.5	24	0.31
F-SEE-2062-S	179	19.25	58.44	0.5	24.8	0.33
F-SEE-2063-S	179	19.25	59.44	0.5	25.2	0.33
F-SEE-2064-S	190	19.25	60.44	0.5	25.6	0.34
F-SEE-2065-S	190	19.25	61.44	0.5	26	0.34
F-SEE-2066-S	190	19.25	62.44	0.5	26.4	0.35

Code	Price	H (in.)	W (in.)	D 1 (in.)	Weight (lb)	Volume (ft ³)
F-SEE-1224-W	131	11.38	20.44	0.5	6.4	0.07
F-SEE-1230-W	159	11.38	26.44	0.5	8	0.09
F-SEE-1236-W	190	11.38	32.44	0.5	9.6	0.11
F-SEE-1242-W	217	11.38	38.44	0.5	11.2	0.13
F-SEE-1244-W	232	11.38	40.44	0.5	11.73	0.13
F-SEE-1245-W	232	11.38	41.44	0.5	12	0.14
F-SEE-1246-W	247	11.38	42.44	0.5	12.27	0.14
F-SEE-1248-W	247	11.38	44.44	0.5	12.8	0.15
F-SEE-1250-W	261	11.38	46.44	0.5	13.33	0.15
F-SEE-1251-W	261	11.38	47.44	0.5	13.6	0.16
F-SEE-1252-W	272	11.38	48.44	0.5	13.87	0.16
F-SEE-1253-W	272	11.38	49.44	0.5	14.13	0.16
F-SEE-1254-W	272	11.38	50.44	0.5	14.4	0.17
F-SEE-1256-W	290	11.38	52.44	0.5	14.93	0.17
F-SEE-1257-W	290	11.38	53.44	0.5	15.2	0.18
F-SEE-1258-W	305	11.38	54.44	0.5	15.47	0.18
F-SEE-1259-W	305	11.38	55.44	0.5	15.73	0.18
F-SEE-1260-W	305	11.38	56.44	0.5	16	0.19
F-SEE-1262-W	322	11.38	58.44	0.5	16.53	0.19
F-SEE-1263-W	322	11.38	59.44	0.5	16.8	0.2
F-SEE-1264-W	334	11.38	60.44	0.5	17.07	0.2
F-SEE-1265-W	334	11.38	61.44	0.5	17.33	0.2
F-SEE-1266-W	334	11.38	62.44	0.5	17.6	0.21

Code	Price	H (in.)	W (in.)	D 1 (in.)	Weight (lb)	Volume (ft ³)
F-SEE-1424-W	142	13.25	20.44	0.5	7.47	0.08
F-SEE-1430-W	177	13.25	26.44	0.5	9.33	0.1
F-SEE-1436-W	209	13.25	32.44	0.5	11.2	0.12
F-SEE-1442-W	243	13.25	38.44	0.5	13.07	0.15
F-SEE-1444-W	260	13.25	40.44	0.5	13.69	0.16
F-SEE-1445-W	260	13.25	41.44	0.5	14	0.16
F-SEE-1446-W	272	13.25	42.44	0.5	14.31	0.16
F-SEE-1448-W	272	13.25	44.44	0.5	14.93	0.17
F-SEE-1450-W	293	13.25	46.44	0.5	15.56	0.18
F-SEE-1451-W	293	13.25	47.44	0.5	15.87	0.18
F-SEE-1452-W	306	13.25	48.44	0.5	16.18	0.19
F-SEE-1453-W	306	13.25	49.44	0.5	16.49	0.19
F-SEE-1454-W	306	13.25	50.44	0.5	16.8	0.19
F-SEE-1456-W	325	13.25	52.44	0.5	17.42	0.2
F-SEE-1457-W	325	13.25	53.44	0.5	17.73	0.2
F-SEE-1458-W	341	13.25	54.44	0.5	18.04	0.21
F-SEE-1459-W	341	13.25	55.44	0.5	18.36	0.21
F-SEE-1460-W	341	13.25	56.44	0.5	18.67	0.22
F-SEE-1462-W	358	13.25	58.44	0.5	19.29	0.22
F-SEE-1463-W	358	13.25	59.44	0.5	19.6	0.23
F-SEE-1464-W	373	13.25	60.44	0.5	19.91	0.23
F-SEE-1465-W	373	13.25	61.44	0.5	20.22	0.24
F-SEE-1466-W	373	13.25	62.44	0.5	20.53	0.24

Code	Price	H (in.)	W (in.)	D 1 (in.)	Weight (lb)	Volume (ft ³)
F-SEE-2024-W	191	19.25	20.44	0.5	10.67	0.11
F-SEE-2030-W	235	19.25	26.44	0.5	13.33	0.15
F-SEE-2036-W	277	19.25	32.44	0.5	16	0.18
F-SEE-2042-W	324	19.25	38.44	0.5	18.67	0.21
F-SEE-2044-W	346	19.25	40.44	0.5	19.56	0.23
F-SEE-2045-W	346	19.25	41.44	0.5	20	0.23
F-SEE-2046-W	368	19.25	42.44	0.5	20.44	0.24
F-SEE-2048-W	368	19.25	44.44	0.5	21.33	0.25
F-SEE-2050-W	388	19.25	46.44	0.5	22.22	0.26
F-SEE-2051-W	388	19.25	47.44	0.5	22.67	0.26
F-SEE-2052-W	410	19.25	48.44	0.5	23.11	0.27
F-SEE-2053-W	410	19.25	49.44	0.5	23.56	0.28
F-SEE-2054-W	410	19.25	50.44	0.5	24	0.28
F-SEE-2056-W	435	19.25	52.44	0.5	24.89	0.29
F-SEE-2057-W	435	19.25	53.44	0.5	25.33	0.3
F-SEE-2058-W	456	19.25	54.44	0.5	25.78	0.3
F-SEE-2059-W	456	19.25	55.44	0.5	26.22	0.31
F-SEE-2060-W	456	19.25	56.44	0.5	26.67	0.31
F-SEE-2062-W	476	19.25	58.44	0.5	27.56	0.33
F-SEE-2063-W	476	19.25	59.44	0.5	28	0.33
F-SEE-2064-W	501	19.25	60.44	0.5	28.44	0.34
F-SEE-2065-W	501	19.25	61.44	0.5	28.89	0.34
F-SEE-2066-W	501	19.25	62.44	0.5	29.33	0.35

Code	Price	H (in.)	W (in.)	D 1 (in.)	Weight (lb)	Volume (ft ³)
F-SEE-0624-T	126	5.38	20.44	0.5	2.88	0.03
F-SEE-0630-T	153	5.38	26.44	0.5	3.6	0.04
F-SEE-0636-T	178	5.38	32.44	0.5	4.32	0.05
F-SEE-0642-T	207	5.38	38.44	0.5	5.04	0.06
F-SEE-0644-T	217	5.38	40.44	0.5	5.28	0.06
F-SEE-0645-T	217	5.38	41.44	0.5	5.4	0.06
F-SEE-0646-T	232	5.38	42.44	0.5	5.52	0.07
F-SEE-0648-T	232	5.38	44.44	0.5	5.76	0.07
F-SEE-0650-T	244	5.38	46.44	0.5	6	0.07
F-SEE-0651-T	244	5.38	47.44	0.5	6.12	0.07
F-SEE-0652-T	259	5.38	48.44	0.5	6.24	0.08
F-SEE-0653-T	259	5.38	49.44	0.5	6.36	0.08
F-SEE-0654-T	259	5.38	50.44	0.5	6.48	0.08
F-SEE-0656-T	271	5.38	52.44	0.5	6.72	0.08
F-SEE-0657-T	271	5.38	53.44	0.5	6.84	0.08
F-SEE-0658-T	284	5.38	54.44	0.5	6.96	0.08
F-SEE-0659-T	284	5.38	55.44	0.5	7.08	0.09
F-SEE-0660-T	284	5.38	56.44	0.5	7.2	0.09
F-SEE-0662-T	298	5.38	58.44	0.5	7.44	0.09
F-SEE-0663-T	298	5.38	59.44	0.5	7.56	0.09
F-SEE-0664-T	311	5.38	60.44	0.5	7.68	0.09
F-SEE-0665-T	311	5.38	61.44	0.5	7.8	0.1
F-SEE-0666-T	311	5.38	62.44	0.5	7.92	0.1

Code	Price	H (in.)	W (in.)	D 1 (in.)	Weight (lb)	Volume (ft ³)
F-SEE-1224-T	190	11.38	20.44	0.5	5.76	0.07
F-SEE-1230-T	231	11.38	26.44	0.5	7.2	0.09
F-SEE-1236-T	271	11.38	32.44	0.5	8.64	0.11
F-SEE-1242-T	311	11.38	38.44	0.5	10.08	0.13
F-SEE-1244-T	333	11.38	40.44	0.5	10.56	0.13
F-SEE-1245-T	333	11.38	41.44	0.5	10.8	0.14
F-SEE-1246-T	353	11.38	42.44	0.5	11.04	0.14
F-SEE-1248-T	353	11.38	44.44	0.5	11.52	0.15
F-SEE-1250-T	371	11.38	46.44	0.5	12	0.15
F-SEE-1251-T	371	11.38	47.44	0.5	12.24	0.16
F-SEE-1252-T	389	11.38	48.44	0.5	12.48	0.16
F-SEE-1253-T	389	11.38	49.44	0.5	12.72	0.16
F-SEE-1254-T	389	11.38	50.44	0.5	12.96	0.17
F-SEE-1256-T	414	11.38	52.44	0.5	13.44	0.17
F-SEE-1257-T	414	11.38	53.44	0.5	13.68	0.18
F-SEE-1258-T	431	11.38	54.44	0.5	13.92	0.18
F-SEE-1259-T	431	11.38	55.44	0.5	14.16	0.18
F-SEE-1260-T	431	11.38	56.44	0.5	14.4	0.19
F-SEE-1262-T	453	11.38	58.44	0.5	14.88	0.19
F-SEE-1263-T	453	11.38	59.44	0.5	15.12	0.2
F-SEE-1264-T	475	11.38	60.44	0.5	15.36	0.2
F-SEE-1265-T	475	11.38	61.44	0.5	15.6	0.2
F-SEE-1266-T	475	11.38	62.44	0.5	15.84	0.21

Code	Price	H (in.)	W (in.)	D 1 (in.)	Weight (lb)	Volume (ft ³)
F-SEE-1424-T	209	13.25	20.44	0.5	6.72	0.08
F-SEE-1430-T	257	13.25	26.44	0.5	8.4	0.1
F-SEE-1436-T	299	13.25	32.44	0.5	10.08	0.12
F-SEE-1442-T	345	13.25	38.44	0.5	11.76	0.15
F-SEE-1444-T	368	13.25	40.44	0.5	12.32	0.16
F-SEE-1445-T	368	13.25	41.44	0.5	12.6	0.16
F-SEE-1446-T	388	13.25	42.44	0.5	12.88	0.16
F-SEE-1448-T	388	13.25	44.44	0.5	13.44	0.17
F-SEE-1450-T	412	13.25	46.44	0.5	14	0.18
F-SEE-1451-T	412	13.25	47.44	0.5	14.28	0.18
F-SEE-1452-T	435	13.25	48.44	0.5	14.56	0.19
F-SEE-1453-T	435	13.25	49.44	0.5	14.84	0.19
F-SEE-1454-T	435	13.25	50.44	0.5	15.12	0.19
F-SEE-1456-T	457	13.25	52.44	0.5	15.68	0.2
F-SEE-1457-T	457	13.25	53.44	0.5	15.96	0.2
F-SEE-1458-T	479	13.25	54.44	0.5	16.24	0.21
F-SEE-1459-T	479	13.25	55.44	0.5	16.52	0.21
F-SEE-1460-T	479	13.25	56.44	0.5	16.8	0.22
F-SEE-1462-T	502	13.25	58.44	0.5	17.36	0.22
F-SEE-1463-T	502	13.25	59.44	0.5	17.64	0.23
F-SEE-1464-T	525	13.25	60.44	0.5	17.92	0.23
F-SEE-1465-T	525	13.25	61.44	0.5	18.2	0.24
F-SEE-1466-T	525	13.25	62.44	0.5	18.48	0.24

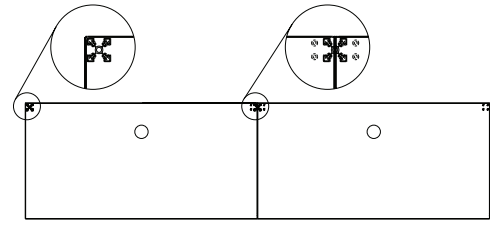
Code	Price	H (in.)	W (in.)	D 1 (in.)	Weight (lb)	Volume (ft ³)
F-SEE-2024-T	272	19.25	20.44	0.5	9.6	0.11
F-SEE-2030-T	333	19.25	26.44	0.5	12	0.15
F-SEE-2036-T	389	19.25	32.44	0.5	14.4	0.18
F-SEE-2042-T	452	19.25	38.44	0.5	16.8	0.21
F-SEE-2044-T	479	19.25	40.44	0.5	17.6	0.23
F-SEE-2045-T	479	19.25	41.44	0.5	18	0.23
F-SEE-2046-T	510	19.25	42.44	0.5	18.4	0.24
F-SEE-2048-T	510	19.25	44.44	0.5	19.2	0.25
F-SEE-2050-T	538	19.25	46.44	0.5	20	0.26
F-SEE-2051-T	538	19.25	47.44	0.5	20.4	0.26
F-SEE-2052-T	568	19.25	48.44	0.5	20.8	0.27
F-SEE-2053-T	568	19.25	49.44	0.5	21.2	0.28
F-SEE-2054-T	568	19.25	50.44	0.5	21.6	0.28
F-SEE-2056-T	598	19.25	52.44	0.5	22.4	0.29
F-SEE-2057-T	598	19.25	53.44	0.5	22.8	0.3
F-SEE-2058-T	629	19.25	54.44	0.5	23.2	0.3
F-SEE-2059-T	629	19.25	55.44	0.5	23.6	0.31
F-SEE-2060-T	629	19.25	56.44	0.5	24	0.31
F-SEE-2062-T	659	19.25	58.44	0.5	24.8	0.33
F-SEE-2063-T	659	19.25	59.44	0.5	25.2	0.33
F-SEE-2064-T	689	19.25	60.44	0.5	25.6	0.34
F-SEE-2065-T	689	19.25	61.44	0.5	26	0.34
F-SEE-2066-T	689	19.25	62.44	0.5	26.4	0.35

Code	Price	H (in.)	W (in.)	D 1 (in.)	Weight (lb)	Volume (ft ³)
F-SEE-0624-F	86	5.38	20.44	0.5	1.44	0.03
F-SEE-0630-F	105	5.38	26.44	0.5	1.8	0.04
F-SEE-0636-F	124	5.38	32.44	0.5	2.16	0.05
F-SEE-0642-F	142	5.38	38.44	0.5	2.52	0.06
F-SEE-0644-F	152	5.38	40.44	0.5	2.64	0.06
F-SEE-0645-F	152	5.38	41.44	0.5	2.7	0.06
F-SEE-0646-F	159	5.38	42.44	0.5	2.76	0.07
F-SEE-0648-F	159	5.38	44.44	0.5	2.88	0.07
F-SEE-0650-F	170	5.38	46.44	0.5	3	0.07
F-SEE-0651-F	170	5.38	47.44	0.5	3.06	0.07
F-SEE-0652-F	178	5.38	48.44	0.5	3.12	0.08
F-SEE-0653-F	178	5.38	49.44	0.5	3.18	0.08
F-SEE-0654-F	178	5.38	50.44	0.5	3.24	0.08
F-SEE-0656-F	190	5.38	52.44	0.5	3.36	0.08
F-SEE-0657-F	190	5.38	53.44	0.5	3.42	0.08
F-SEE-0658-F	200	5.38	54.44	0.5	3.48	0.08
F-SEE-0659-F	200	5.38	55.44	0.5	3.54	0.09
F-SEE-0660-F	200	5.38	56.44	0.5	3.6	0.09
F-SEE-0662-F	208	5.38	58.44	0.5	3.72	0.09
F-SEE-0663-F	208	5.38	59.44	0.5	3.78	0.09
F-SEE-0664-F	216	5.38	60.44	0.5	3.84	0.09
F-SEE-0665-F	216	5.38	61.44	0.5	3.9	0.1
F-SEE-0666-F	216	5.38	62.44	0.5	3.96	0.1

Code	Price	H (in.)	W (in.)	D 1 (in.)	Weight (lb)	Volume (ft ³)
F-SEE-1224-F	128	11.38	20.44	0.5	2.88	0.07
F-SEE-1230-F	158	11.38	26.44	0.5	3.6	0.09
F-SEE-1236-F	189	11.38	32.44	0.5	4.32	0.11
F-SEE-1242-F	216	11.38	38.44	0.5	5.04	0.13
F-SEE-1244-F	232	11.38	40.44	0.5	5.28	0.13
F-SEE-1245-F	232	11.38	41.44	0.5	5.4	0.14
F-SEE-1246-F	244	11.38	42.44	0.5	5.52	0.14
F-SEE-1248-F	244	11.38	44.44	0.5	5.76	0.15
F-SEE-1250-F	260	11.38	46.44	0.5	6	0.15
F-SEE-1251-F	260	11.38	47.44	0.5	6.12	0.16
F-SEE-1252-F	275	11.38	48.44	0.5	6.24	0.16
F-SEE-1253-F	275	11.38	49.44	0.5	6.36	0.16
F-SEE-1254-F	275	11.38	50.44	0.5	6.48	0.17
F-SEE-1256-F	290	11.38	52.44	0.5	6.72	0.17
F-SEE-1257-F	290	11.38	53.44	0.5	6.84	0.18
F-SEE-1258-F	302	11.38	54.44	0.5	6.96	0.18
F-SEE-1259-F	302	11.38	55.44	0.5	7.08	0.18
F-SEE-1260-F	302	11.38	56.44	0.5	7.2	0.19
F-SEE-1262-F	318	11.38	58.44	0.5	7.44	0.19
F-SEE-1263-F	318	11.38	59.44	0.5	7.56	0.2
F-SEE-1264-F	333	11.38	60.44	0.5	7.68	0.2
F-SEE-1265-F	333	11.38	61.44	0.5	7.8	0.2
F-SEE-1266-F	333	11.38	62.44	0.5	7.92	0.21

Code	Price	H (in.)	W (in.)	D 1 (in.)	Weight (lb)	Volume (ft ³)
F-SEE-1424-F	143	13.25	20.44	0.5	3.36	0.08
F-SEE-1430-F	175	13.25	26.44	0.5	4.2	0.1
F-SEE-1436-F	208	13.25	32.44	0.5	5.04	0.12
F-SEE-1442-F	241	13.25	38.44	0.5	5.88	0.15
F-SEE-1444-F	258	13.25	40.44	0.5	6.16	0.16
F-SEE-1445-F	258	13.25	41.44	0.5	6.3	0.16
F-SEE-1446-F	271	13.25	42.44	0.5	6.44	0.16
F-SEE-1448-F	271	13.25	44.44	0.5	6.72	0.17
F-SEE-1450-F	287	13.25	46.44	0.5	7	0.18
F-SEE-1451-F	287	13.25	47.44	0.5	7.14	0.18
F-SEE-1452-F	303	13.25	48.44	0.5	7.28	0.19
F-SEE-1453-F	303	13.25	49.44	0.5	7.42	0.19
F-SEE-1454-F	303	13.25	50.44	0.5	7.56	0.19
F-SEE-1456-F	319	13.25	52.44	0.5	7.84	0.2
F-SEE-1457-F	319	13.25	53.44	0.5	7.98	0.2
F-SEE-1458-F	336	13.25	54.44	0.5	8.12	0.21
F-SEE-1459-F	336	13.25	55.44	0.5	8.26	0.21
F-SEE-1460-F	336	13.25	56.44	0.5	8.4	0.22
F-SEE-1462-F	353	13.25	58.44	0.5	8.68	0.22
F-SEE-1463-F	353	13.25	59.44	0.5	8.82	0.23
F-SEE-1464-F	369	13.25	60.44	0.5	8.96	0.23
F-SEE-1465-F	369	13.25	61.44	0.5	9.1	0.24
F-SEE-1466-F	369	13.25	62.44	0.5	9.24	0.24

Code	Price	H (in.)	W (in.)	D 1 (in.)	Weight (lb)	Volume (ft ³)
F-SEE-2024-F	189	19.25	20.44	0.5	4.8	0.11
F-SEE-2030-F	231	19.25	26.44	0.5	6	0.15
F-SEE-2036-F	271	19.25	32.44	0.5	7.2	0.18
F-SEE-2042-F	316	19.25	38.44	0.5	8.4	0.21
F-SEE-2044-F	336	19.25	40.44	0.5	8.8	0.23
F-SEE-2045-F	336	19.25	41.44	0.5	9	0.23
F-SEE-2046-F	359	19.25	42.44	0.5	9.2	0.24
F-SEE-2048-F	359	19.25	44.44	0.5	9.6	0.25
F-SEE-2050-F	375	19.25	46.44	0.5	10	0.26
F-SEE-2051-F	375	19.25	47.44	0.5	10.2	0.26
F-SEE-2052-F	400	19.25	48.44	0.5	10.4	0.27
F-SEE-2053-F	400	19.25	49.44	0.5	10.6	0.28
F-SEE-2054-F	400	19.25	50.44	0.5	10.8	0.28
F-SEE-2056-F	421	19.25	52.44	0.5	11.2	0.29
F-SEE-2057-F	421	19.25	53.44	0.5	11.4	0.3
F-SEE-2058-F	443	19.25	54.44	0.5	11.6	0.3
F-SEE-2059-F	443	19.25	55.44	0.5	11.8	0.31
F-SEE-2060-F	443	19.25	56.44	0.5	12	0.31
F-SEE-2062-F	461	19.25	58.44	0.5	12.4	0.33
F-SEE-2063-F	461	19.25	59.44	0.5	12.6	0.33
F-SEE-2064-F	482	19.25	60.44	0.5	12.8	0.34
F-SEE-2065-F	482	19.25	61.44	0.5	13	0.34
F-SEE-2066-F	482	19.25	62.44	0.5	13.2	0.35



What's Included:

Privacy screen (1), Horizontal rails (2), vertical retainers (2).

How to Specify:

Available in various heights and widths to provide specific workstation requirements

Privacy screens can be specified in solid laminate, whiteboard, fabric tackboard, quilted felt, and frost acrylic.

Notes:

Privacy screen posts are 2-inches by 2-inches wide and are sold separately.

Options:

Height	6", 12", 14", 20"
Width	24", 30", 36", 42", 44", 45", 46", 48", 50", 51", 52", 53", 54", 56", 57", 58", 59", 60", 62", 63", 64", 65", 66", 68", 69", 70", 71", 72"
Screen material	S solid Q felt W whiteboard T fabric/tackboard F frost

How to Order and Read your Code:

F	SES	12	60	F
product line	item	height	width	acrylic

Code	Price	H (in.)	W (in.)	D T (in.)	Weight (lb)	Volume (ft ³)
F-SES-0624-S	48	5.38	21.69	0.5	2.88	0.03
F-SES-0630-S	55	5.38	27.69	0.5	3.6	0.04
F-SES-0636-S	63	5.38	33.69	0.5	4.32	0.05
F-SES-0637-S	68	5.38	34.69	0.5	4.45	0.05
F-SES-0637D-S	68	5.38	35.19	0.5	4.51	0.05
F-SES-0638-S	68	5.38	35.69	0.5	4.58	0.06
F-SES-0638D-S	68	5.38	36.19	0.5	4.64	0.06
F-SES-0639-S	68	5.38	36.69	0.5	4.68	0.06
F-SES-0640-S	72	5.38	37.69	0.5	4.81	0.06
F-SES-0641-S	72	5.38	38.69	0.5	4.94	0.06
F-SES-0641D-S	72	5.38	39.19	0.5	5	0.06
F-SES-0642-S	72	5.38	39.69	0.5	5.04	0.06
F-SES-0643-S	77	5.38	40.69	0.5	5.17	0.06
F-SES-0644-S	77	5.38	41.69	0.5	5.28	0.06
F-SES-0644D-S	77	5.38	42.19	0.5	5.34	0.07
F-SES-0645-S	77	5.38	42.69	0.5	5.4	0.07
F-SES-0646-S	82	5.38	43.69	0.5	5.52	0.07
F-SES-0648-S	82	5.38	45.69	0.5	5.76	0.07
F-SES-0650-S	86	5.38	47.69	0.5	6	0.07
F-SES-0651-S	86	5.38	48.69	0.5	6.12	0.08
F-SES-0652-S	89	5.38	49.69	0.5	6.24	0.08
F-SES-0653-S	89	5.38	50.69	0.5	6.36	0.08
F-SES-0654-S	89	5.38	51.69	0.5	6.48	0.08
F-SES-0656-S	93	5.38	53.69	0.5	6.72	0.08
F-SES-0657-S	93	5.38	54.69	0.5	6.84	0.09
F-SES-0658-S	100	5.38	55.69	0.5	6.96	0.09
F-SES-0659-S	100	5.38	56.69	0.5	7.08	0.09
F-SES-0660-S	100	5.38	57.69	0.5	7.2	0.09
F-SES-0662-S	102	5.38	59.69	0.5	7.44	0.09
F-SES-0663-S	102	5.38	60.69	0.5	7.56	0.09
F-SES-0664-S	109	5.38	61.69	0.5	7.68	0.1
F-SES-0665-S	109	5.38	62.69	0.5	7.8	0.1
F-SES-0666-S	109	5.38	63.69	0.5		
F-SES-0668-S	113					
F-SES-0669-S	113					
F-SES-0670-S	116					
F-SES-0671-S	116					
F-SES-0672-S	116					

Code	Price	H (in.)	W (in.)	D 1 (in.)	Weight (lb)	Volume (ft ³)
F-SES-1224-S	59	11.38	21.69	0.5	5.76	0.07
F-SES-1230-S	71	11.38	27.69	0.5	7.2	0.09
F-SES-1236-S	84	11.38	33.69	0.5	8.64	0.11
F-SES-1237-S	89	11.38	34.69	0.5	8.9	0.11
F-SES-1237D-S	89	11.38	35.19	0.5	9.02	0.12
F-SES-1238-S	89	11.38	35.69	0.5	9.15	0.12
F-SES-1238D-S	89	11.38	36.19	0.5	9.28	0.12
F-SES-1239-S	89	11.38	36.69	0.5	9.36	0.12
F-SES-1240-S	94	11.38	37.69	0.5	9.62	0.12
F-SES-1241-S	94	11.38	38.69	0.5	9.87	0.13
F-SES-1241D-S	94	11.38	39.19	0.5	10	0.13
F-SES-1242-S	94	11.38	39.69	0.5	10.08	0.13
F-SES-1243-S	101	11.38	40.69	0.5	10.32	0.13
F-SES-1244-S	101	11.38	41.69	0.5	10.56	0.14
F-SES-1244D-S	101	11.38	42.19	0.5	10.68	0.14
F-SES-1245-S	101	11.38	42.69	0.5	10.8	0.14
F-SES-1246-S	109	11.38	43.69	0.5	11.04	0.14
F-SES-1248-S	109	11.38	45.69	0.5	11.52	0.15
F-SES-1250-S	113	11.38	47.69	0.5	12	0.16
F-SES-1251-S	113	11.38	48.69	0.5	12.24	0.16
F-SES-1252-S	120	11.38	49.69	0.5	12.48	0.16
F-SES-1253-S	120	11.38	50.69	0.5	12.72	0.17
F-SES-1254-S	120	11.38	51.69	0.5	12.96	0.17
F-SES-1256-S	126	11.38	53.69	0.5	13.44	0.18
F-SES-1257-S	126	11.38	54.69	0.5	13.68	0.18
F-SES-1258-S	129	11.38	55.69	0.5	13.92	0.18
F-SES-1259-S	129	11.38	56.69	0.5	14.16	0.19
F-SES-1260-S	129	11.38	57.69	0.5	14.4	0.19
F-SES-1262-S	138	11.38	59.69	0.5	14.88	0.2
F-SES-1263-S	138	11.38	60.69	0.5	15.12	0.2
F-SES-1264-S	142	11.38	61.69	0.5	15.36	0.2
F-SES-1265-S	142	11.38	62.69	0.5	15.6	0.21
F-SES-1266-S	142	11.38	63.69	0.5	15.84	0.21

Code	Price	H (in.)	W (in.)	D 1 (in.)	Weight (lb)	Volume (ft ³)
F-SES-1424-S	63	13.25	21.69	0.5	6.72	0.08
F-SES-1430-S	77	13.25	27.69	0.5	8.4	0.11
F-SES-1434-S	89	13.25	31.69	0.5	10.08	0.12
F-SES-1434D-S	89	13.25	32.19	0.5	10.08	0.12
F-SES-1435-S	89	13.25	32.69	0.5	10.08	0.13
F-SES-1435D-S	89	13.25	33.19	0.5	10.08	0.13
F-SES-1436-S	89	13.25	33.69	0.5	10.08	0.13
F-SES-1437-S	94	13.25	34.69	0.5	10.36	0.13
F-SES-1437D-S	94	13.25	35.19	0.5	10.5	0.13
F-SES-1438-S	94	13.25	35.69	0.5	10.64	0.14
F-SES-1438D-S	94	13.25	36.19	0.5	10.78	0.14
F-SES-1439-S	94	13.25	36.69	0.5	10.92	0.14
F-SES-1440-S	102	13.25	37.69	0.5	11.2	0.14
F-SES-1441-S	102	13.25	38.69	0.5	11.48	0.15
F-SES-1441D-S	102	13.25	39.19	0.5	11.62	0.15
F-SES-1442-S	102	13.25	39.69	0.5	11.76	0.15
F-SES-1443-S	111	13.25	40.69	0.5	12.04	0.16
F-SES-1444-S	111	13.25	41.69	0.5	12.32	0.16
F-SES-1444D-S	111	13.25	42.19	0.5	12.46	0.16
F-SES-1445-S	111	13.25	42.69	0.5	12.6	0.16
F-SES-1446-S	116	13.25	43.69	0.5	12.88	0.17
F-SES-1448-S	116	13.25	45.69	0.5	13.44	0.18
F-SES-1450-S	124	13.25	47.69	0.5	14	0.18
F-SES-1451-S	124	13.25	48.69	0.5	14.28	0.19
F-SES-1452-S	127	13.25	49.69	0.5	14.56	0.19
F-SES-1453-S	127	13.25	50.69	0.5	14.84	0.19
F-SES-1454-S	127	13.25	51.69	0.5	15.12	0.2
F-SES-1456-S	133	13.25	53.69	0.5	15.68	0.21
F-SES-1457-S	133	13.25	54.69	0.5	15.96	0.21
F-SES-1458-S	141	13.25	55.69	0.5	16.24	0.21
F-SES-1459-S	141	13.25	56.69	0.5	16.52	0.22
F-SES-1460-S	141	13.25	57.69	0.5	16.8	0.22
F-SES-1462-S	149	13.25	59.69	0.5	17.36	0.23
F-SES-1463-S	149	13.25	60.69	0.5	17.64	0.23
F-SES-1464-S	154	13.25	61.69	0.5	17.92	0.24
F-SES-1465-S	154	13.25	62.69	0.5	18.2	0.24
F-SES-1466-S	154	13.25	63.69	0.5	18.48	0.24

Code	Price	H (in.)	W (in.)	D 1 (in.)	Weight (lb)	Volume (ft ³)
F-SES-2024-S	80	19.25	21.69	0.5	9.6	0.12
F-SES-2030-S	91	19.25	27.69	0.5	12	0.15
F-SES-2034-S	111	19.25	31.69	0.5	14.4	0.18
F-SES-2034D-S	111	19.25	32.19	0.5	14.4	0.18
F-SES-2035-S	111	19.25	32.69	0.5	14.4	0.18
F-SES-2035D-S	111	19.25	33.19	0.5	14.4	0.18
F-SES-2036-S	111	19.25	33.69	0.5	14.4	0.19
F-SES-2037-S	117	19.25	34.69	0.5	14.8	0.19
F-SES-2037D-S	117	19.25	35.19	0.5	15	0.2
F-SES-2038-S	117	19.25	35.69	0.5	15.2	0.2
F-SES-2038D-S	117	19.25	36.19	0.5	15.4	0.2
F-SES-2039-S	117	19.25	36.69	0.5	15.6	0.2
F-SES-2040-S	126	19.25	37.69	0.5	16	0.21
F-SES-2041-S	126	19.25	38.69	0.5	16.4	0.22
F-SES-2041D-S	126	19.25	39.19	0.5	16.6	0.22
F-SES-2042-S	126	19.25	39.69	0.5	16.8	0.22
F-SES-2043-S	131	19.25	40.69	0.5	17.2	0.23
F-SES-2044-S	131	19.25	41.69	0.5	17.6	0.23
F-SES-2044D-S	131	19.25	42.19	0.5	17.8	0.23
F-SES-2045-S	131	19.25	42.69	0.5	18	0.24
F-SES-2046-S	141	19.25	43.69	0.5	18.4	0.24
F-SES-2048-S	141	19.25	45.69	0.5	19.2	0.25
F-SES-2050-S	151	19.25	47.69	0.5	20	0.27
F-SES-2051-S	151	19.25	48.69	0.5	20.4	0.27
F-SES-2052-S	156	19.25	49.69	0.5	20.8	0.28
F-SES-2053-S	156	19.25	50.69	0.5	21.2	0.28
F-SES-2054-S	156	19.25	51.69	0.5	21.6	0.29
F-SES-2056-S	165	19.25	53.69	0.5	22.4	0.3
F-SES-2057-S	165	19.25	54.69	0.5	22.8	0.3
F-SES-2058-S	174	19.25	55.69	0.5	23.2	0.31
F-SES-2059-S	174	19.25	56.69	0.5	23.6	0.32
F-SES-2060-S	174	19.25	57.69	0.5	24	0.32
F-SES-2062-S	179	19.25	59.69	0.5	24.8	0.33
F-SES-2063-S	179	19.25	60.69	0.5	25.2	0.34
F-SES-2064-S	190	19.25	61.69	0.5	25.6	0.34
F-SES-2065-S	190	19.25	62.69	0.5	26	0.35
F-SES-2066-S	190	19.25	63.69	0.5	26.4	0.35

Code	Price	H (in.)	W (in.)	D 1 (in.)	Weight (lb)	Volume (ft ³)
F-SES-1224-W	131	11.38	21.69	0.5	6.4	0.07
F-SES-1230-W	159	11.38	27.69	0.5	8	0.09
F-SES-1236-W	190	11.38	33.69	0.5	9.6	0.11
F-SES-1237-W	200	11.38	34.69	0.5	9.88	0.11
F-SES-1237D-W	200	11.38	35.19	0.5	10.03	0.12
F-SES-1238-W	200	11.38	35.69	0.5	10.17	0.12
F-SES-1238D-W	200	11.38	36.19	0.5	10.31	0.12
F-SES-1239-W	200	11.38	36.69	0.5	10.4	0.12
F-SES-1240-W	217	11.38	37.69	0.5	10.68	0.12
F-SES-1241-W	217	11.38	38.69	0.5	10.97	0.13
F-SES-1241D-W	217	11.38	39.19	0.5	11.11	0.13
F-SES-1242-W	217	11.38	39.69	0.5	11.2	0.13
F-SES-1243-W	232	11.38	40.69	0.5	11.47	0.13
F-SES-1244-W	232	11.38	41.69	0.5	11.73	0.14
F-SES-1244D-W	232	11.38	42.19	0.5	11.87	0.14
F-SES-1245-W	232	11.38	42.69	0.5	12	0.14
F-SES-1246-W	247	11.38	43.69	0.5	12.27	0.14
F-SES-1248-W	247	11.38	45.69	0.5	12.8	0.15
F-SES-1250-W	261	11.38	47.69	0.5	13.33	0.16
F-SES-1251-W	261	11.38	48.69	0.5	13.6	0.16
F-SES-1252-W	272	11.38	49.69	0.5	13.87	0.16
F-SES-1253-W	272	11.38	50.69	0.5	14.13	0.17
F-SES-1254-W	272	11.38	51.69	0.5	14.4	0.17
F-SES-1256-W	290	11.38	53.69	0.5	14.93	0.18
F-SES-1257-W	290	11.38	54.69	0.5	15.2	0.18
F-SES-1258-W	305	11.38	55.69	0.5	15.47	0.18
F-SES-1259-W	305	11.38	56.69	0.5	15.73	0.19
F-SES-1260-W	305	11.38	57.69	0.5	16	0.19
F-SES-1262-W	322	11.38	59.69	0.5	16.53	0.2
F-SES-1263-W	322	11.38	60.69	0.5	16.8	0.2
F-SES-1264-W	334	11.38	61.69	0.5	17.07	0.2
F-SES-1265-W	334	11.38	62.69	0.5	17.33	0.21
F-SES-1266-W	334	11.38	63.69	0.5	17.6	0.21

Code	Price	H (in.)	W (in.)	D 1 (in.)	Weight (lb)	Volume (ft ³)
F-SES-1424-W	142	13.25	21.69	0.5	7.47	0.08
F-SES-1430-W	177	13.25	27.69	0.5	9.33	0.11
F-SES-1434-W	209	13.25	31.69	0.5	11.2	0.12
F-SES-1434D-W	209	13.25	32.19	0.5	11.2	0.12
F-SES-1435-W	209	13.25	32.69	0.5	11.2	0.13
F-SES-1435D-W	209	13.25	33.19	0.5	11.2	0.13
F-SES-1436-W	209	13.25	33.69	0.5	11.2	0.13
F-SES-1437-W	225	13.25	34.69	0.5	11.51	0.13
F-SES-1437D-W	225	13.25	35.19	0.5	11.67	0.13
F-SES-1438-W	225	13.25	35.69	0.5	11.82	0.14
F-SES-1438D-W	225	13.25	36.19	0.5	11.98	0.14
F-SES-1439-W	225	13.25	36.69	0.5	12.13	0.14
F-SES-1440-W	243	13.25	37.69	0.5	12.45	0.14
F-SES-1441-W	243	13.25	38.69	0.5	12.76	0.15
F-SES-1441D-W	243	13.25	39.19	0.5	12.91	0.15
F-SES-1442-W	243	13.25	39.69	0.5	13.07	0.15
F-SES-1443-W	260	13.25	40.69	0.5	13.38	0.16
F-SES-1444-W	260	13.25	41.69	0.5	13.69	0.16
F-SES-1444D-W	260	13.25	42.19	0.5	13.85	0.16
F-SES-1445-W	260	13.25	42.69	0.5	14	0.16
F-SES-1446-W	272	13.25	43.69	0.5	14.31	0.17
F-SES-1448-W	272	13.25	45.69	0.5	14.93	0.18
F-SES-1450-W	293	13.25	47.69	0.5	15.56	0.18
F-SES-1451-W	293	13.25	48.69	0.5	15.87	0.19
F-SES-1452-W	306	13.25	49.69	0.5	16.18	0.19
F-SES-1453-W	306	13.25	50.69	0.5	16.49	0.19
F-SES-1454-W	306	13.25	51.69	0.5	16.8	0.2
F-SES-1456-W	325	13.25	53.69	0.5	17.42	0.21
F-SES-1457-W	325	13.25	54.69	0.5	17.73	0.21
F-SES-1458-W	341	13.25	55.69	0.5	18.04	0.21
F-SES-1459-W	341	13.25	56.69	0.5	18.36	0.22
F-SES-1460-W	341	13.25	57.69	0.5	18.67	0.22
F-SES-1462-W	358	13.25	59.69	0.5	19.29	0.23
F-SES-1463-W	358	13.25	60.69	0.5	19.6	0.23
F-SES-1464-W	373	13.25	61.69	0.5	19.91	0.24
F-SES-1465-W	373	13.25	62.69	0.5	20.22	0.24
F-SES-1466-W	373	13.25	63.69	0.5	20.53	0.24

Code	Price	H (in.)	W (in.)	D 1 (in.)	Weight (lb)	Volume (ft ³)
F-SES-2024-W	191	19.25	21.69	0.5	10.67	0.12
F-SES-2030-W	235	19.25	27.69	0.5	13.33	0.15
F-SES-2034-W	277	19.25	31.69	0.5	16	0.18
F-SES-2034D-W	277	19.25	32.19	0.5	16	0.18
F-SES-2035-W	277	19.25	32.69	0.5	16	0.18
F-SES-2035D-W	277	19.25	33.19	0.5	16	0.18
F-SES-2036-W	277	19.25	33.69	0.5	16	0.19
F-SES-2037-W	300	19.25	34.69	0.5	16.45	0.19
F-SES-2037D-W	300	19.25	35.19	0.5	16.67	0.2
F-SES-2038-W	300	19.25	35.69	0.5	16.89	0.2
F-SES-2038D-W	300	19.25	36.19	0.5	17.11	0.2
F-SES-2039-W	300	19.25	36.69	0.5	17.33	0.2
F-SES-2040-W	324	19.25	37.69	0.5	17.78	0.21
F-SES-2041-W	324	19.25	38.69	0.5	18.22	0.22
F-SES-2041D-W	324	19.25	39.19	0.5	18.45	0.22
F-SES-2042-W	324	19.25	39.69	0.5	18.67	0.22
F-SES-2043-W	346	19.25	40.69	0.5	19.11	0.23
F-SES-2044-W	346	19.25	41.69	0.5	19.56	0.23
F-SES-2044D-W	346	19.25	42.19	0.5	19.78	0.23
F-SES-2045-W	346	19.25	42.69	0.5	20	0.24
F-SES-2046-W	368	19.25	43.69	0.5	20.44	0.24
F-SES-2048-W	368	19.25	45.69	0.5	21.33	0.25
F-SES-2050-W	388	19.25	47.69	0.5	22.22	0.27
F-SES-2051-W	388	19.25	48.69	0.5	22.67	0.27
F-SES-2052-W	410	19.25	49.69	0.5	23.11	0.28
F-SES-2053-W	410	19.25	50.69	0.5	23.56	0.28
F-SES-2054-W	410	19.25	51.69	0.5	24	0.29
F-SES-2056-W	435	19.25	53.69	0.5	24.89	0.3
F-SES-2057-W	435	19.25	54.69	0.5	25.33	0.3
F-SES-2058-W	456	19.25	55.69	0.5	25.78	0.31
F-SES-2059-W	456	19.25	56.69	0.5	26.22	0.32
F-SES-2060-W	456	19.25	57.69	0.5	26.67	0.32
F-SES-2062-W	476	19.25	59.69	0.5	27.56	0.33
F-SES-2063-W	476	19.25	60.69	0.5	28	0.34
F-SES-2064-W	501	19.25	61.69	0.5	28.44	0.34
F-SES-2065-W	501	19.25	62.69	0.5	28.89	0.35
F-SES-2066-W	501	19.25	63.69	0.5	29.33	0.35

Code	Price	H (in.)	W (in.)	D 1 (in.)	Weight (lb)	Volume (ft ³)
F-SES-0624-T	126	5.38	21.69	0.5	2.88	0.03
F-SES-0630-T	153	5.38	27.69	0.5	3.6	0.04
F-SES-0636-T	178	5.38	33.69	0.5	4.32	0.05
F-SES-0637-T	193	5.38	34.69	0.5	4.45	0.05
F-SES-0637D-T	193	5.38	35.19	0.5	4.51	0.05
F-SES-0638-T	193	5.38	35.69	0.5	4.58	0.06
F-SES-0638D-T	193	5.38	36.19	0.5	4.64	0.06
F-SES-0639-T	193	5.38	36.69	0.5	4.68	0.06
F-SES-0640-T	207	5.38	37.69	0.5	4.81	0.06
F-SES-0641-T	207	5.38	38.69	0.5	4.94	0.06
F-SES-0641D-T	207	5.38	39.19	0.5	5	0.06
F-SES-0642-T	207	5.38	39.69	0.5	5.04	0.06
F-SES-0643-T	217	5.38	40.69	0.5	5.17	0.06
F-SES-0644-T	217	5.38	41.69	0.5	5.28	0.06
F-SES-0644D-T	217	5.38	42.19	0.5	5.34	0.07
F-SES-0645-T	217	5.38	42.69	0.5	5.4	0.07
F-SES-0646-T	232	5.38	43.69	0.5	5.52	0.07
F-SES-0648-T	232	5.38	45.69	0.5	5.76	0.07
F-SES-0650-T	244	5.38	47.69	0.5	6	0.07
F-SES-0651-T	244	5.38	48.69	0.5	6.12	0.08
F-SES-0652-T	259	5.38	49.69	0.5	6.24	0.08
F-SES-0653-T	259	5.38	50.69	0.5	6.36	0.08
F-SES-0654-T	259	5.38	51.69	0.5	6.48	0.08
F-SES-0656-T	271	5.38	53.69	0.5	6.72	0.08
F-SES-0657-T	271	5.38	54.69	0.5	6.84	0.09
F-SES-0658-T	284	5.38	55.69	0.5	6.96	0.09
F-SES-0659-T	284	5.38	56.69	0.5	7.08	0.09
F-SES-0660-T	284	5.38	57.69	0.5	7.2	0.09
F-SES-0662-T	298	5.38	59.69	0.5	7.44	0.09
F-SES-0663-T	298	5.38	60.69	0.5	7.56	0.09
F-SES-0664-T	311	5.38	61.69	0.5	7.68	0.1
F-SES-0665-T	311	5.38	62.69	0.5	7.8	0.1
F-SES-0666-T	311	5.38	63.69	0.5	7.92	0.1

Code	Price	H (in.)	W (in.)	D 1 (in.)	Weight (lb)	Volume (ft ³)
F-SES-1224-T	190	11.38	21.69	0.5	5.76	0.07
F-SES-1230-T	231	11.38	27.69	0.5	7.2	0.09
F-SES-1235-T	271	11.38	32.69	0.5	8.64	0.11
F-SES-1236-T	271	11.38	33.69	0.5	8.64	0.11
F-SES-1237-T	293	11.38	34.69	0.5	8.9	0.11
F-SES-1237D-T	293	11.38	35.19	0.5	9.02	0.12
F-SES-1238-T	293	11.38	35.69	0.5	9.15	0.12
F-SES-1238D-T	293	11.38	36.19	0.5	9.28	0.12
F-SES-1239-T	293	11.38	36.69	0.5	9.36	0.12
F-SES-1240-T	311	11.38	37.69	0.5	9.62	0.12
F-SES-1241-T	311	11.38	38.69	0.5	9.87	0.13
F-SES-1241D-T	311	11.38	39.19	0.5	10	0.13
F-SES-1242-T	311	11.38	39.69	0.5	10.08	0.13
F-SES-1243-T	333	11.38	40.69	0.5	10.32	0.13
F-SES-1244-T	333	11.38	41.69	0.5	10.56	0.14
F-SES-1244D-T	333	11.38	42.19	0.5	10.68	0.14
F-SES-1245-T	333	11.38	42.69	0.5	10.8	0.14
F-SES-1246-T	353	11.38	43.69	0.5	11.04	0.14
F-SES-1248-T	353	11.38	45.69	0.5	11.52	0.15
F-SES-1250-T	371	11.38	47.69	0.5	12	0.16
F-SES-1251-T	371	11.38	48.69	0.5	12.24	0.16
F-SES-1252-T	389	11.38	49.69	0.5	12.48	0.16
F-SES-1253-T	389	11.38	50.69	0.5	12.72	0.17
F-SES-1254-T	389	11.38	51.69	0.5	12.96	0.17
F-SES-1256-T	414	11.38	53.69	0.5	13.44	0.18
F-SES-1257-T	414	11.38	54.69	0.5	13.68	0.18
F-SES-1258-T	431	11.38	55.69	0.5	13.92	0.18
F-SES-1259-T	431	11.38	56.69	0.5	14.16	0.19
F-SES-1260-T	431	11.38	57.69	0.5	14.4	0.19
F-SES-1262-T	453	11.38	59.69	0.5	14.88	0.2
F-SES-1263-T	453	11.38	60.69	0.5	15.12	0.2
F-SES-1264-T	475	11.38	61.69	0.5	15.36	0.2
F-SES-1265-T	475	11.38	62.69	0.5	15.6	0.21
F-SES-1266-T	475	11.38	63.69	0.5	15.84	0.21

Code	Price	H (in.)	W (in.)	D 1 (in.)	Weight (lb)	Volume (ft ³)
F-SES-1424-T	209	13.25	21.69	0.5	6.72	0.07
F-SES-1430-T	257	13.25	27.69	0.5	8.4	0.11
F-SES-1434-T	299	13.25	31.69	0.5	10.08	0.12
F-SES-1434D-T	299	13.25	32.19	0.5	10.08	0.12
F-SES-1435-T	299	13.25	32.69	0.5	10.08	0.12
F-SES-1435D-T	299	13.25	33.19	0.5	10.08	0.13
F-SES-1436-T	299	13.25	33.69	0.5	10.08	0.13
F-SES-1437-T	323	13.25	34.69	0.5	10.36	0.13
F-SES-1437D-T	323	13.25	35.19	0.5	10.5	0.13
F-SES-1438-T	323	13.25	35.69	0.5	10.64	0.13
F-SES-1438D-T	323	13.25	36.19	0.5	10.78	0.14
F-SES-1439-T	323	13.25	36.69	0.5	10.92	0.14
F-SES-1440-T	345	13.25	37.69	0.5	11.2	0.14
F-SES-1441-T	345	13.25	38.69	0.5	11.48	0.14
F-SES-1441D-T	345	13.25	39.19	0.5	11.62	0.15
F-SES-1442-T	345	13.25	39.69	0.5	11.76	0.15
F-SES-1443-T	368	13.25	40.69	0.5	12.04	0.15
F-SES-1444-T	368	13.25	41.69	0.5	12.32	0.16
F-SES-1444D-T	368	13.25	42.19	0.5	12.46	0.16
F-SES-1445-T	368	13.25	42.69	0.5	12.6	0.16
F-SES-1446-T	388	13.25	43.69	0.5	12.88	0.17
F-SES-1448-T	388	13.25	45.69	0.5	13.44	0.18
F-SES-1450-T	412	13.25	47.69	0.5	14	0.18
F-SES-1451-T	412	13.25	48.69	0.5	14.28	0.19
F-SES-1452-T	435	13.25	49.69	0.5	14.56	0.19
F-SES-1453-T	435	13.25	50.69	0.5	14.84	0.19
F-SES-1454-T	435	13.25	51.69	0.5	15.12	0.2
F-SES-1456-T	457	13.25	53.69	0.5	15.68	0.21
F-SES-1457-T	457	13.25	54.69	0.5	15.96	0.21
F-SES-1458-T	479	13.25	55.69	0.5	16.24	0.21
F-SES-1459-T	479	13.25	56.69	0.5	16.52	0.22
F-SES-1460-T	479	13.25	57.69	0.5	16.8	0.22
F-SES-1462-T	502	13.25	59.69	0.5	17.36	0.23
F-SES-1463-T	502	13.25	60.69	0.5	17.64	0.23
F-SES-1464-T	525	13.25	61.69	0.5	17.92	0.24
F-SES-1465-T	525	13.25	62.69	0.5	18.2	0.24
F-SES-1466-T	525	13.25	63.69	0.5	18.48	0.24

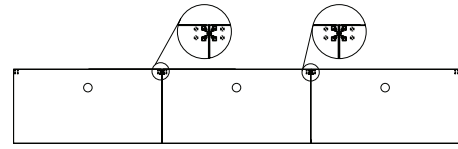
Code	Price	H (in.)	W (in.)	D 1 (in.)	Weight (lb)	Volume (ft ³)
F-SES-2024-T	272	19.25	21.69	0.5	9.6	0.12
F-SES-2030-T	333	19.25	27.69	0.5	12	0.15
F-SES-2034-T	389	19.25	31.69	0.5	14.4	0.18
F-SES-2034D-T	389	19.25	32.19	0.5	14.4	0.18
F-SES-2035-T	389	19.25	32.69	0.5	14.4	0.18
F-SES-2035D-T	389	19.25	33.19	0.5	14.4	0.18
F-SES-2036-T	389	19.25	33.69	0.5	14.4	0.19
F-SES-2037-T	422	19.25	34.69	0.5	14.8	0.19
F-SES-2037D-T	422	19.25	35.19	0.5	15	0.2
F-SES-2038-T	422	19.25	35.69	0.5	15.2	0.2
F-SES-2038D-T	422	19.25	36.19	0.5	15.4	0.2
F-SES-2039-T	422	19.25	36.69	0.5	15.6	0.2
F-SES-2040-T	452	19.25	37.69	0.5	16	0.21
F-SES-2041-T	452	19.25	38.69	0.5	16.4	0.22
F-SES-2041D-T	452	19.25	39.19	0.5	16.6	0.22
F-SES-2042-T	452	19.25	39.69	0.5	16.8	0.22
F-SES-2043-T	479	19.25	40.69	0.5	17.2	0.23
F-SES-2044-T	479	19.25	41.69	0.5	17.6	0.23
F-SES-2044D-T	479	19.25	42.19	0.5	17.8	0.23
F-SES-2045-T	479	19.25	42.69	0.5	18	0.24
F-SES-2046-T	510	19.25	43.69	0.5	18.4	0.24
F-SES-2048-T	510	19.25	45.69	0.5	19.2	0.25
F-SES-2050-T	538	19.25	47.69	0.5	20	0.27
F-SES-2051-T	538	19.25	48.69	0.5	20.4	0.27
F-SES-2052-T	568	19.25	49.69	0.5	20.8	0.28
F-SES-2053-T	568	19.25	50.69	0.5	21.2	0.28
F-SES-2054-T	568	19.25	51.69	0.5	21.6	0.29
F-SES-2056-T	598	19.25	53.69	0.5	22.4	0.3
F-SES-2057-T	598	19.25	54.69	0.5	22.8	0.3
F-SES-2058-T	629	19.25	55.69	0.5	23.2	0.31
F-SES-2059-T	629	19.25	56.69	0.5	23.6	0.32
F-SES-2060-T	629	19.25	57.69	0.5	24	0.32
F-SES-2062-T	659	19.25	59.69	0.5	24.8	0.33
F-SES-2063-T	659	19.25	60.69	0.5	25.2	0.34
F-SES-2064-T	689	19.25	61.69	0.5	25.6	0.34
F-SES-2065-T	689	19.25	62.69	0.5	26	0.35
F-SES-2066-T	689	19.25	63.69	0.5	26.4	0.35

Code	Price	H (in.)	W (in.)	D 1 (in.)	Weight (lb)	Volume (ft ³)
F-SES-0624-F	86	5.38	21.69	0.5	1.44	0.03
F-SES-0630-F	105	5.38	27.69	0.5	1.8	0.04
F-SES-0636-F	124	5.38	33.69	0.5	2.16	0.05
F-SES-0637-F	131	5.38	34.69	0.5	2.22	0.05
F-SES-0637D-F	131	5.38	35.19	0.5	2.26	0.05
F-SES-0638-F	131	5.38	35.69	0.5	2.29	0.06
F-SES-0638D-F	131	5.38	36.19	0.5	2.32	0.06
F-SES-0639-F	131	5.38	36.69	0.5	2.34	0.06
F-SES-0640-F	142	5.38	37.69	0.5	2.4	0.06
F-SES-0641-F	142	5.38	38.69	0.5	2.47	0.06
F-SES-0641D-F	142	5.38	39.19	0.5	2.5	0.06
F-SES-0642-F	142	5.38	39.69	0.5	2.52	0.06
F-SES-0643-F	152	5.38	40.69	0.5	2.58	0.06
F-SES-0644-F	152	5.38	41.69	0.5	2.64	0.06
F-SES-0644D-F	152	5.38	42.19	0.5	2.67	0.07
F-SES-0645-F	152	5.38	42.69	0.5	2.7	0.07
F-SES-0646-F	159	5.38	43.69	0.5	2.76	0.07
F-SES-0648-F	159	5.38	45.69	0.5	2.88	0.07
F-SES-0650-F	170	5.38	47.69	0.5	3	0.07
F-SES-0651-F	170	5.38	48.69	0.5	3.06	0.08
F-SES-0652-F	178	5.38	49.69	0.5	3.12	0.08
F-SES-0653-F	178	5.38	50.69	0.5	3.18	0.08
F-SES-0654-F	178	5.38	51.69	0.5	3.24	0.08
F-SES-0656-F	190	5.38	53.69	0.5	3.36	0.08
F-SES-0657-F	190	5.38	54.69	0.5	3.42	0.09
F-SES-0658-F	200	5.38	55.69	0.5	3.48	0.09
F-SES-0659-F	200	5.38	56.69	0.5	3.54	0.09
F-SES-0660-F	200	5.38	57.69	0.5	3.6	0.09
F-SES-0662-F	208	5.38	59.69	0.5	3.72	0.09
F-SES-0663-F	208	5.38	60.69	0.5	3.78	0.09
F-SES-0664-F	216	5.38	61.69	0.5	3.84	0.1
F-SES-0665-F	216	5.38	62.69	0.5	3.9	0.1
F-SES-0666-F	216	5.38	63.69	0.5	3.96	0.1

Code	Price	H (in.)	W (in.)	D 1 (in.)	Weight (lb)	Volume (ft ³)
F-SES-1224-F	128	11.38	21.69	0.5	2.88	0.07
F-SES-1230-F	158	11.38	27.69	0.5	3.6	0.09
F-SES-1236-F	189	11.38	33.69	0.5	4.32	0.11
F-SES-1237-F	202	11.38	34.69	0.5	4.45	0.11
F-SES-1237D-F	202	11.38	35.19	0.5	4.51	0.12
F-SES-1238-F	202	11.38	35.69	0.5	4.58	0.12
F-SES-1238D-F	202	11.38	36.19	0.5	4.64	0.12
F-SES-1239-F	202	11.38	36.69	0.5	4.68	0.12
F-SES-1240-F	216	11.38	37.69	0.5	4.81	0.12
F-SES-1241-F	216	11.38	38.69	0.5	4.94	0.13
F-SES-1241D-F	216	11.38	39.19	0.5	5	0.13
F-SES-1242-F	216	11.38	39.69	0.5	5.04	0.13
F-SES-1243-F	232	11.38	40.69	0.5	5.16	0.13
F-SES-1244-F	232	11.38	41.69	0.5	5.28	0.14
F-SES-1244D-F	232	11.38	42.19	0.5	5.34	0.14
F-SES-1245-F	232	11.38	42.69	0.5	5.4	0.14
F-SES-1246-F	244	11.38	43.69	0.5	5.52	0.14
F-SES-1248-F	244	11.38	45.69	0.5	5.76	0.15
F-SES-1250-F	260	11.38	47.69	0.5	6	0.16
F-SES-1251-F	260	11.38	48.69	0.5	6.12	0.16
F-SES-1252-F	275	11.38	49.69	0.5	6.24	0.16
F-SES-1253-F	275	11.38	50.69	0.5	6.36	0.17
F-SES-1254-F	275	11.38	51.69	0.5	6.48	0.17
F-SES-1256-F	290	11.38	53.69	0.5	6.72	0.18
F-SES-1257-F	290	11.38	54.69	0.5	6.84	0.18
F-SES-1258-F	302	11.38	55.69	0.5	6.96	0.18
F-SES-1259-F	302	11.38	56.69	0.5	7.08	0.19
F-SES-1260-F	302	11.38	57.69	0.5	7.2	0.19
F-SES-1262-F	318	11.38	59.69	0.5	7.44	0.2
F-SES-1263-F	318	11.38	60.69	0.5	7.56	0.2
F-SES-1264-F	333	11.38	61.69	0.5	7.68	0.2
F-SES-1265-F	333	11.38	62.69	0.5	7.8	0.21
F-SES-1266-F	333	11.38	63.69	0.5	7.92	0.21

Code	Price	H (in.)	W (in.)	D 1 (in.)	Weight (lb)	Volume (ft ³)
F-SES-1424-F	143	13.25	21.69	0.5	3.36	0.08
F-SES-1430-F	175	13.25	27.69	0.5	4.2	0.11
F-SES-1434-F	208	13.25	31.69	0.5	5.04	0.12
F-SES-1434D-F	208	13.25	32.19	0.5	5.04	0.12
F-SES-1435-F	208	13.25	32.69	0.5	5.04	0.13
F-SES-1435D-F	208	13.25	33.19	0.5	5.04	0.13
F-SES-1436-F	208	13.25	33.69	0.5	5.04	0.13
F-SES-1437-F	220	13.25	34.69	0.5	5.18	0.13
F-SES-1437D-F	220	13.25	35.19	0.5	5.25	0.13
F-SES-1438-F	220	13.25	35.69	0.5	5.32	0.14
F-SES-1438D-F	220	13.25	36.19	0.5	5.39	0.14
F-SES-1439-F	220	13.25	36.69	0.5	5.46	0.14
F-SES-1440-F	241	13.25	37.69	0.5	5.6	0.14
F-SES-1441-F	241	13.25	38.69	0.5	5.74	0.15
F-SES-1441D-F	241	13.25	39.19	0.5	5.81	0.15
F-SES-1442-F	241	13.25	39.69	0.5	5.88	0.15
F-SES-1443-F	258	13.25	40.69	0.5	6.02	0.16
F-SES-1444-F	258	13.25	41.69	0.5	6.16	0.16
F-SES-1444D-F	258	13.25	42.19	0.5	6.23	0.16
F-SES-1445-F	258	13.25	42.69	0.5	6.3	0.16
F-SES-1446-F	271	13.25	43.69	0.5	6.44	0.17
F-SES-1448-F	271	13.25	45.69	0.5	6.72	0.18
F-SES-1450-F	287	13.25	47.69	0.5	7	0.18
F-SES-1451-F	287	13.25	48.69	0.5	7.14	0.19
F-SES-1452-F	303	13.25	49.69	0.5	7.28	0.19
F-SES-1453-F	303	13.25	50.69	0.5	7.42	0.19
F-SES-1454-F	303	13.25	51.69	0.5	7.56	0.2
F-SES-1456-F	319	13.25	53.69	0.5	7.84	0.21
F-SES-1457-F	319	13.25	54.69	0.5	7.98	0.21
F-SES-1458-F	336	13.25	55.69	0.5	8.12	0.21
F-SES-1459-F	336	13.25	56.69	0.5	8.26	0.22
F-SES-1460-F	336	13.25	57.69	0.5	8.4	0.22
F-SES-1462-F	353	13.25	59.69	0.5	8.68	0.23
F-SES-1463-F	353	13.25	60.69	0.5	8.82	0.23
F-SES-1464-F	369	13.25	61.69	0.5	8.96	0.24
F-SES-1465-F	369	13.25	62.69	0.5	9.1	0.24
F-SES-1466-F	369	13.25	63.69	0.5	9.24	0.24

Code	Price	H (in.)	W (in.)	D 1 (in.)	Weight (lb)	Volume (ft ³)
F-SES-2024-F	189	19.25	21.69	0.5	4.8	0.12
F-SES-2030-F	231	19.25	27.69	0.5	6	0.15
F-SES-2034-F	271	19.25	31.69	0.5	7.2	0.18
F-SES-2034D-F	271	19.25	32.19	0.5	7.2	0.18
F-SES-2035-F	271	19.25	32.69	0.5	7.2	0.18
F-SES-2035D-F	271	19.25	33.19	0.5	7.2	0.18
F-SES-2036-F	271	19.25	33.69	0.5	7.2	0.19
F-SES-2037-F	294	19.25	34.69	0.5	7.4	0.19
F-SES-2037D-F	294	19.25	35.19	0.5	7.5	0.2
F-SES-2038-F	294	19.25	35.69	0.5	7.6	0.2
F-SES-2038D-F	294	19.25	36.19	0.5	7.7	0.2
F-SES-2039-F	294	19.25	36.69	0.5	7.8	0.2
F-SES-2040-F	316	19.25	37.69	0.5	8	0.21
F-SES-2041-F	316	19.25	38.69	0.5	8.2	0.22
F-SES-2041D-F	316	19.25	39.19	0.5	8.3	0.22
F-SES-2042-F	316	19.25	39.69	0.5	8.4	0.22
F-SES-2043-F	336	19.25	40.69	0.5	8.6	0.23
F-SES-2044-F	336	19.25	41.69	0.5	8.8	0.23
F-SES-2044D-F	336	19.25	42.19	0.5	8.9	0.23
F-SES-2045-F	336	19.25	42.69	0.5	9	0.24
F-SES-2046-F	359	19.25	43.69	0.5	9.2	0.24
F-SES-2048-F	359	19.25	45.69	0.5	9.6	0.25
F-SES-2050-F	375	19.25	47.69	0.5	10	0.27
F-SES-2051-F	375	19.25	48.69	0.5	10.2	0.27
F-SES-2052-F	400	19.25	49.69	0.5	10.4	0.28
F-SES-2053-F	400	19.25	50.69	0.5	10.6	0.28
F-SES-2054-F	400	19.25	51.69	0.5	10.8	0.29
F-SES-2056-F	421	19.25	53.69	0.5	11.2	0.3
F-SES-2057-F	421	19.25	54.69	0.5	11.4	0.3
F-SES-2058-F	443	19.25	55.69	0.5	11.6	0.31
F-SES-2059-F	443	19.25	56.69	0.5	11.8	0.32
F-SES-2060-F	443	19.25	57.69	0.5	12	0.32
F-SES-2062-F	461	19.25	59.69	0.5	12.4	0.33
F-SES-2063-F	461	19.25	60.69	0.5	12.6	0.34
F-SES-2064-F	482	19.25	61.69	0.5	12.8	0.34
F-SES-2065-F	482	19.25	62.69	0.5	13	0.35
F-SES-2066-F	482	19.25	63.69	0.5	13.2	0.35



What's Included:

Privacy screen (1), Horizontal rails (2), vertical retainers (2).

How to Specify:

Available in various heights and widths to provide specific workstation requirements

Privacy screens can be specified in sold laminate, whiteboard, quilted felt, fabric/tackboard, and frost acrylic.

Notes:

Privacy screen posts are 2-inches by 2-inches wide and are sold separately.

Options:

Height	6", 12", 14", 20"
Width	24", 30", 36", 42", 44", 45", 46", 48", 50", 51", 52", 53", 54", 56", 57", 58", 59", 60", 62", 63", 64", 65", 66", 68", 69", 70", 71", 72"
Screen material	S solid Q felt W whiteboard T fabric/tackboard F frost

How to Order and Read your Code:

F	SSS	12	60	F
product line	item	height	width	acrylic

Code	Price	H (in.)	W (in.)	D T (in.)	Weight (lb)	Volume (ft ³)
F-SSS-0624-S	48	5.38	22.97	0.5	2.88	0.04
F-SSS-0630-S	55	5.38	28.97	0.5	3.6	0.05
F-SSS-0636-S	63	5.38	34.97	0.5	4.32	0.05
F-SSS-0637-S	68	5.38	35.97	0.5	4.44	0.06
F-SSS-0637D-S	68	5.38	36.47	0.5	4.5	0.06
F-SSS-0638-S	68	5.38	36.97	0.5	4.56	0.06
F-SSS-0638D-S	68	5.38	37.47	0.5	4.62	0.06
F-SSS-0639-S	68	5.38	37.97	0.5	4.68	0.06
F-SSS-0640-S	72	5.38	38.97	0.5	4.8	0.06
F-SSS-0641-S	72	5.38	39.97	0.5	4.92	0.06
F-SSS-0641D-S	72	5.38	40.47	0.5	4.98	0.06
F-SSS-0642-S	72	5.38	40.97	0.5	5.04	0.06
F-SSS-0643-S	77	5.38	41.97	0.5	5.16	0.07
F-SSS-0644-S	77	5.38	42.97	0.5	5.28	0.07
F-SSS-0644D-S	77	5.38	43.47	0.5	5.34	0.07
F-SSS-0645-S	77	5.38	43.97	0.5	5.4	0.07
F-SSS-0648-S	82	5.38	46.97	0.5	5.76	0.07
F-SSS-0654-S	89	5.38	52.97	0.5	6.48	0.08
F-SSS-0660-S	100	5.38	58.97	0.5	7.2	0.09
F-SSS-0666-S	109	5.38	64.97	0.5	7.92	0.1

Code	Price	H (in.)	W (in.)	D 1 (in.)	Weight (lb)	Volume (ft ³)
F-SSS-1224-S	59	11.38	22.97	0.5	5.76	0.08
F-SSS-1230-S	71	11.38	28.97	0.5	7.2	0.1
F-SSS-1236-S	84	11.38	34.97	0.5	8.64	0.12
F-SSS-1237-S	89	11.38	35.97	0.5	8.88	0.12
F-SSS-1237D-S	89	11.38	36.47	0.5	9	0.12
F-SSS-1238-S	89	11.38	36.97	0.5	9.12	0.12
F-SSS-1238D-S	89	11.38	37.47	0.5	9.24	0.12
F-SSS-1239-S	89	11.38	37.97	0.5	9.36	0.12
F-SSS-1240-S	94	11.38	38.97	0.5	9.6	0.13
F-SSS-1241-S	94	11.38	39.97	0.5	9.84	0.13
F-SSS-1241D-S	94	11.38	40.47	0.5	9.96	0.13
F-SSS-1242-S	94	11.38	40.97	0.5	10.08	0.13
F-SSS-1243-S	101	11.38	41.97	0.5	10.32	0.14
F-SSS-1244-S	101	11.38	42.97	0.5	10.56	0.14
F-SSS-1244D-S	101	11.38	43.47	0.5	10.68	0.14
F-SSS-1245-S	101	11.38	43.97	0.5	10.8	0.14
F-SSS-1248-S	109	11.38	46.97	0.5	11.52	0.15
F-SSS-1254-S	120	11.38	52.97	0.5	12.96	0.17
F-SSS-1260-S	129	11.38	58.97	0.5	14.4	0.19
F-SSS-1266-S	142	11.38	64.97	0.5	15.84	0.21

Code	Price	H (in.)	W (in.)	D 1 (in.)	Weight (lb)	Volume (ft ³)
F-SSS-1424-S	63	13.25	22.97	0.5	6.72	0.09
F-SSS-1430-S	77	13.25	28.97	0.5	8.4	0.11
F-SSS-1434-S	89	13.25	32.97	0.5	10.08	0.13
F-SSS-1434D-S	89	13.25	33.47	0.5	10.08	0.13
F-SSS-1435-S	89	13.25	33.97	0.5	10.08	0.13
F-SSS-1435D-S	89	13.25	34.47	0.5	10.08	0.13
F-SSS-1436-S	89	13.25	34.97	0.5	10.08	0.13
F-SSS-1437-S	94	13.25	35.97	0.5	10.36	0.14
F-SSS-1437D-S	94	13.25	36.47	0.5	10.5	0.14
F-SSS-1438-S	94	13.25	36.97	0.5	10.64	0.14
F-SSS-1438D-S	94	13.25	37.47	0.5	10.78	0.14
F-SSS-1439-S	94	13.25	37.97	0.5	10.92	0.15
F-SSS-1440-S	102	13.25	38.97	0.5	11.2	0.15
F-SSS-1441-S	102	13.25	39.97	0.5	11.48	0.15
F-SSS-1441D-S	102	13.25	40.47	0.5	11.62	0.16
F-SSS-1442-S	102	13.25	40.97	0.5	11.76	0.16
F-SSS-1443-S	111	13.25	41.97	0.5	12.04	0.16
F-SSS-1444-S	111	13.25	42.97	0.5	12.32	0.16
F-SSS-1444D-S	111	13.25	43.47	0.5	12.46	0.17
F-SSS-1445-S	111	13.25	43.97	0.5	12.6	0.17
F-SSS-1448-S	116	13.25	46.97	0.5	13.44	0.18
F-SSS-1454-S	127	13.25	52.97	0.5	15.12	0.2
F-SSS-1460-S	141	13.25	58.97	0.5	16.8	0.23
F-SSS-1466-S	154	13.25	64.97	0.5	18.48	0.25

Code	Price	H (in.)	W (in.)	D 1 (in.)	Weight (lb)	Volume (ft ³)
F-SSS-2024-S	80	19.25	22.97	0.5	9.6	0.13
F-SSS-2030-S	91	19.25	28.97	0.5	12	0.16
F-SSS-2034-S	111	19.25	32.97	0.5	14.4	0.18
F-SSS-2034D-S	111	19.25	33.47	0.5	14.4	0.19
F-SSS-2035-S	111	19.25	33.97	0.5	14.4	0.19
F-SSS-2035D-S	111	19.25	34.47	0.5	14.4	0.19
F-SSS-2036-S	111	19.25	34.97	0.5	14.4	0.19
F-SSS-2037-S	117	19.25	35.97	0.5	14.8	0.2
F-SSS-2037D-S	117	19.25	36.47	0.5	15	0.2
F-SSS-2038-S	117	19.25	36.97	0.5	15.2	0.21
F-SSS-2038D-S	117	19.25	37.47	0.5	15.4	0.21
F-SSS-2039-S	117	19.25	37.97	0.5	15.6	0.21
F-SSS-2040-S	126	19.25	38.97	0.5	16	0.22
F-SSS-2041-S	126	19.25	39.97	0.5	16.4	0.22
F-SSS-2041D-S	126	19.25	40.47	0.5	16.6	0.23
F-SSS-2042-S	126	19.25	40.97	0.5	16.8	0.23
F-SSS-2043-S	131	19.25	41.97	0.5	17.2	0.23
F-SSS-2044-S	131	19.25	42.97	0.5	17.6	0.24
F-SSS-2044D-S	131	19.25	43.47	0.5	17.8	0.24
F-SSS-2045-S	131	19.25	43.97	0.5	18	0.24
F-SSS-2048-S	141	19.25	46.97	0.5	19.2	0.26
F-SSS-2054-S	156	19.25	52.97	0.5	21.6	0.3
F-SSS-2060-S	174	19.25	58.97	0.5	24	0.33
F-SSS-2066-S	190	19.25	64.97	0.5	26.4	0.36

Code	Price	H (in.)	W (in.)	D 1 (in.)	Weight (lb)	Volume (ft ³)
F-SSS-1224-W	131	11.38	22.97	0.5	6.4	0.08
F-SSS-1230-W	159	11.38	28.97	0.5	8	0.1
F-SSS-1236-W	190	11.38	34.97	0.5	9.6	0.12
F-SSS-1237-W	200	11.38	35.97	0.5	9.87	0.12
F-SSS-1237D-W	200	11.38	36.47	0.5	10	0.12
F-SSS-1238-W	200	11.38	36.97	0.5	10.14	0.12
F-SSS-1238D-W	200	11.38	37.47	0.5	10.27	0.12
F-SSS-1239-W	200	11.38	37.97	0.5	10.4	0.12
F-SSS-1240-W	217	11.38	38.97	0.5	10.67	0.13
F-SSS-1241-W	217	11.38	39.97	0.5	10.94	0.13
F-SSS-1241D-W	217	11.38	40.47	0.5	11.07	0.13
F-SSS-1242-W	217	11.38	40.97	0.5	11.2	0.13
F-SSS-1243-W	232	11.38	41.97	0.5	11.47	0.14
F-SSS-1244-W	232	11.38	42.97	0.5	11.73	0.14
F-SSS-1244D-W	232	11.38	43.47	0.5	11.87	0.14
F-SSS-1245-W	232	11.38	43.97	0.5	12	0.14
F-SSS-1248-W	247	11.38	46.97	0.5	12.8	0.15
F-SSS-1254-W	272	11.38	52.97	0.5	14.4	0.17
F-SSS-1260-W	305	11.38	58.97	0.5	16	0.19
F-SSS-1266-W	334	11.38	64.97	0.5	17.6	0.21

Code	Price	H (in.)	W (in.)	D 1 (in.)	Weight (lb)	Volume (ft ³)
F-SSS-1424-W	142	13.25	22.97	0.5	7.47	0.09
F-SSS-1430-W	177	13.25	28.97	0.5	9.33	0.11
F-SSS-1434-W	209	13.25	32.97	0.5	11.2	0.13
F-SSS-1434D-W	209	13.25	33.47	0.5	11.2	0.13
F-SSS-1435-W	209	13.25	33.97	0.5	11.2	0.13
F-SSS-1435D-W	209	13.25	34.47	0.5	11.2	0.13
F-SSS-1436-W	209	13.25	34.97	0.5	11.2	0.13
F-SSS-1437-W	225	13.25	35.97	0.5	11.51	0.14
F-SSS-1437D-W	225	13.25	36.47	0.5	11.67	0.14
F-SSS-1438-W	225	13.25	36.97	0.5	11.82	0.14
F-SSS-1438D-W	225	13.25	37.47	0.5	11.98	0.14
F-SSS-1439-W	225	13.25	37.97	0.5	12.13	0.15
F-SSS-1440-W	243	13.25	38.97	0.5	12.45	0.15
F-SSS-1441-W	243	13.25	39.97	0.5	12.76	0.15
F-SSS-1441D-W	243	13.25	40.47	0.5	12.91	0.16
F-SSS-1442-W	243	13.25	40.97	0.5	13.07	0.16
F-SSS-1443-W	260	13.25	41.97	0.5	13.38	0.16
F-SSS-1444-W	260	13.25	42.97	0.5	13.69	0.16
F-SSS-1444D-W	260	13.25	43.47	0.5	13.85	0.17
F-SSS-1445-W	260	13.25	43.97	0.5	14	0.17
F-SSS-1448-W	272	13.25	46.97	0.5	14.93	0.18
F-SSS-1454-W	306	13.25	52.97	0.5	16.8	0.2
F-SSS-1460-W	341	13.25	58.97	0.5	18.67	0.23
F-SSS-1466-W	373	13.25	64.97	0.5	20.53	0.25

Code	Price	H (in.)	W (in.)	D 1 (in.)	Weight (lb)	Volume (ft ³)
F-SSS-2024-W	191	19.25	22.97	0.5	10.67	0.13
F-SSS-2030-W	235	19.25	28.97	0.5	13.33	0.16
F-SSS-2034-W	277	19.25	32.97	0.5	16	0.18
F-SSS-2034D-W	278	19.25	33.47	0.5	16	0.19
F-SSS-2035-W	277	19.25	33.97	0.5	16	0.19
F-SSS-2035D-W	277	19.25	34.47	0.5	16	0.19
F-SSS-2036-W	277	19.25	34.97	0.5	16	0.19
F-SSS-2037-W	300	19.25	35.97	0.5	16.45	0.2
F-SSS-2037D-W	300	19.25	36.47	0.5	16.67	0.2
F-SSS-2038-W	300	19.25	36.97	0.5	16.89	0.21
F-SSS-2038D-W	300	19.25	37.47	0.5	17.11	0.21
F-SSS-2039-W	300	19.25	37.97	0.5	17.33	0.21
F-SSS-2040-W	324	19.25	38.97	0.5	17.78	0.22
F-SSS-2041-W	324	19.25	39.97	0.5	18.22	0.22
F-SSS-2041D-W	324	19.25	40.47	0.5	18.45	0.23
F-SSS-2042-W	324	19.25	40.97	0.5	18.67	0.23
F-SSS-2043-W	346	19.25	41.97	0.5	19.11	0.23
F-SSS-2044-W	346	19.25	42.97	0.5	19.56	0.24
F-SSS-2044D-W	346	19.25	43.47	0.5	19.78	0.24
F-SSS-2045-W	346	19.25	43.97	0.5	20	0.24
F-SSS-2048-W	368	19.25	46.97	0.5	21.33	0.26
F-SSS-2054-W	410	19.25	52.97	0.5	24	0.3
F-SSS-2060-W	456	19.25	58.97	0.5	26.67	0.33
F-SSS-2066-W	501	19.25	64.97	0.5	29.33	0.36

Code	Price	H (in.)	W (in.)	D 1 (in.)	Weight (lb)	Volume (ft ³)
F-SSS-0624-T	126	5.38	22.97	0.5	2.88	0.04
F-SSS-0630-T	153	5.38	28.97	0.5	3.6	0.05
F-SSS-0636-T	178	5.38	34.97	0.5	4.32	0.05
F-SSS-0637-T	193	5.38	35.97	0.5	4.44	0.06
F-SSS-0637D-T	193	5.38	36.47	0.5	4.5	0.06
F-SSS-0638-T	193	5.38	36.97	0.5	4.56	0.06
F-SSS-0638D-T	193	5.38	37.47	0.5	4.62	0.06
F-SSS-0639-T	193	5.38	37.97	0.5	4.68	0.06
F-SSS-0640-T	207	5.38	38.97	0.5	4.8	0.06
F-SSS-0641-T	207	5.38	39.97	0.5	4.92	0.06
F-SSS-0641D-T	207	5.38	40.47	0.5	4.98	0.06
F-SSS-0642-T	207	5.38	40.97	0.5	5.04	0.06
F-SSS-0643-T	217	5.38	41.97	0.5	5.16	0.07
F-SSS-0644-T	217	5.38	42.97	0.5	5.28	0.07
F-SSS-0644D-T	217	5.38	43.47	0.5	5.34	0.07
F-SSS-0645-T	217	5.38	43.97	0.5	5.4	0.07
F-SSS-0648-T	232	5.38	46.97	0.5	5.76	0.07
F-SSS-0654-T	259	5.38	52.97	0.5	6.48	0.08
F-SSS-0660-T	284	5.38	58.97	0.5	7.2	0.09
F-SSS-0666-T	311	5.38	64.97	0.5	7.92	0.1

Code	Price	H (in.)	W (in.)	D 1 (in.)	Weight (lb)	Volume (ft ³)
F-SSS-1224-T	190	11.38	22.97	0.5	5.76	0.08
F-SSS-1230-T	231	11.38	28.97	0.5	7.2	0.1
F-SSS-1236-T	271	11.38	34.97	0.5	8.64	0.12
F-SSS-1237-T	293	11.38	35.97	0.5	8.88	0.12
F-SSS-1237D-T	293	11.38	36.47	0.5	9	0.12
F-SSS-1238-T	293	11.38	36.97	0.5	9.12	0.12
F-SSS-1238D-T	293	11.38	37.47	0.5	9.24	0.12
F-SSS-1239-T	293	11.38	37.97	0.5	9.36	0.12
F-SSS-1240-T	311	11.38	38.97	0.5	9.6	0.13
F-SSS-1241-T	311	11.38	39.97	0.5	9.84	0.13
F-SSS-1241D-T	311	11.38	40.47	0.5	9.96	0.13
F-SSS-1242-T	311	11.38	40.97	0.5	10.08	0.13
F-SSS-1243-T	333	11.38	41.97	0.5	10.32	0.14
F-SSS-1244-T	333	11.38	42.97	0.5	10.56	0.14
F-SSS-1244D-T	333	11.38	43.47	0.5	10.68	0.14
F-SSS-1245-T	333	11.38	43.97	0.5	10.8	0.14
F-SSS-1248-T	353	11.38	46.97	0.5	11.52	0.15
F-SSS-1254-T	389	11.38	52.97	0.5	12.96	0.17
F-SSS-1260-T	431	11.38	58.97	0.5	14.4	0.19
F-SSS-1266-T	475	11.38	64.97	0.5	15.84	0.21

Code	Price	H (in.)	W (in.)	D 1 (in.)	Weight (lb)	Volume (ft ³)
F-SSS-1424-T	209	13.25	22.97	0.5	6.72	0.09
F-SSS-1430-T	257	13.25	28.97	0.5	8.4	0.11
F-SSS-1434-T	299	13.25	32.97	0.5	10.08	0.13
F-SSS-1434D-T	299	13.25	33.47	0.5	10.08	0.13
F-SSS-1435-T	299	13.25	33.97	0.5	10.08	0.13
F-SSS-1435D-T	299	13.25	34.47	0.5	10.08	0.13
F-SSS-1436-T	299	13.25	34.97	0.5	10.08	0.13
F-SSS-1437-T	323	13.25	35.97	0.5	10.36	0.14
F-SSS-1437D-T	323	13.25	36.47	0.5	10.5	0.14
F-SSS-1438-T	323	13.25	36.97	0.5	10.64	0.14
F-SSS-1438D-T	323	13.25	37.47	0.5	10.78	0.14
F-SSS-1439-T	323	13.25	37.97	0.5	10.92	0.15
F-SSS-1440-T	345	13.25	38.97	0.5	11.2	0.15
F-SSS-1441-T	345	13.25	39.97	0.5	11.48	0.15
F-SSS-1441D-T	345	13.25	40.47	0.5	11.62	0.16
F-SSS-1442-T	345	13.25	40.97	0.5	11.76	0.16
F-SSS-1443-T	368	13.25	41.97	0.5	12.04	0.16
F-SSS-1444-T	368	13.25	42.97	0.5	12.32	0.16
F-SSS-1444D-T	368	13.25	43.47	0.5	12.46	0.17
F-SSS-1445-T	368	13.25	43.97	0.5	12.6	0.17
F-SSS-1448-T	388	13.25	46.97	0.5	13.44	0.18
F-SSS-1454-T	435	13.25	52.97	0.5	15.12	0.2
F-SSS-1460-T	479	13.25	58.97	0.5	16.8	0.23
F-SSS-1466-T	525	13.25	64.97	0.5	18.48	0.25

Code	Price	H (in.)	W (in.)	D 1 (in.)	Weight (lb)	Volume (ft ³)
F-SSS-2024-T	272	19.25	22.97	0.5	9.6	0.13
F-SSS-2030-T	333	19.25	28.97	0.5	12	0.16
F-SSS-2034-T	389	19.25	32.97	0.5	14.4	0.18
F-SSS-2034D-T	393	19.25	33.47	0.5	14.4	0.19
F-SSS-2035-T	389	19.25	33.97	0.5	14.4	0.19
F-SSS-2035D-T	389	19.25	34.47	0.5	14.4	0.19
F-SSS-2036-T	389	19.25	34.97	0.5	14.4	0.19
F-SSS-2037-T	422	19.25	35.97	0.5	14.8	0.2
F-SSS-2037D-T	422	19.25	36.47	0.5	15	0.2
F-SSS-2038-T	422	19.25	36.97	0.5	15.2	0.21
F-SSS-2038D-T	422	19.25	37.47	0.5	15.4	0.21
F-SSS-2039-T	422	19.25	37.97	0.5	15.6	0.21
F-SSS-2040-T	452	19.25	38.97	0.5	16	0.22
F-SSS-2041-T	452	19.25	39.97	0.5	16.4	0.22
F-SSS-2041D-T	452	19.25	40.47	0.5	16.6	0.23
F-SSS-2042-T	452	19.25	40.97	0.5	16.8	0.23
F-SSS-2043-T	479	19.25	41.97	0.5	17.2	0.23
F-SSS-2044-T	479	19.25	42.97	0.5	17.6	0.24
F-SSS-2044D-T	479	19.25	43.47	0.5	17.8	0.24
F-SSS-2045-T	479	19.25	43.97	0.5	18	0.24
F-SSS-2048-T	510	19.25	46.97	0.5	19.2	0.26
F-SSS-2054-T	568	19.25	52.97	0.5	21.6	0.3
F-SSS-2060-T	629	19.25	58.97	0.5	24	0.33
F-SSS-2066-T	689	19.25	64.97	0.5	26.4	0.36

Code	Price	H (in.)	W (in.)	D 1 (in.)	Weight (lb)	Volume (ft ³)
F-SSS-0624-F	86	5.38	22.97	0.5	1.44	0.04
F-SSS-0630-F	105	5.38	28.97	0.5	1.8	0.05
F-SSS-0636-F	124	5.38	34.97	0.5	2.16	0.05
F-SSS-0637-F	131	5.38	35.97	0.5	2.22	0.06
F-SSS-0637D-F	131	5.38	36.47	0.5	2.25	0.06
F-SSS-0638-F	131	5.38	36.97	0.5	2.28	0.06
F-SSS-0638D-F	131	5.38	37.47	0.5	2.31	0.06
F-SSS-0639-F	131	5.38	37.97	0.5	2.34	0.06
F-SSS-0640-F	142	5.38	38.97	0.5	2.4	0.06
F-SSS-0641-F	142	5.38	39.97	0.5	2.46	0.06
F-SSS-0641D-F	142	5.38	40.47	0.5	2.49	0.06
F-SSS-0642-F	142	5.38	40.97	0.5	2.52	0.06
F-SSS-0643-F	152	5.38	41.97	0.5	2.58	0.07
F-SSS-0644-F	152	5.38	42.97	0.5	2.64	0.07
F-SSS-0644D-F	152	5.38	43.47	0.5	2.67	0.07
F-SSS-0645-F	152	5.38	43.97	0.5	2.7	0.07
F-SSS-0648-F	159	5.38	46.97	0.5	2.88	0.07
F-SSS-0654-F	178	5.38	52.97	0.5	3.24	0.08
F-SSS-0660-F	200	5.38	58.97	0.5	3.6	0.09
F-SSS-0666-F	216	5.38	64.97	0.5	3.96	0.1

Code	Price	H (in.)	W (in.)	D 1 (in.)	Weight (lb)	Volume (ft ³)
F-SSS-1224-F	128	11.38	22.97	0.5	2.88	0.08
F-SSS-1230-F	158	11.38	28.97	0.5	3.6	0.1
F-SSS-1236-F	189	11.38	34.97	0.5	4.32	0.12
F-SSS-1237-F	202	11.38	35.97	0.5	4.44	0.12
F-SSS-1237D-F	202	11.38	36.47	0.5	4.5	0.12
F-SSS-1238-F	202	11.38	36.97	0.5	4.56	0.12
F-SSS-1238D-F	202	11.38	37.47	0.5	4.62	0.12
F-SSS-1239-F	202	11.38	37.97	0.5	4.68	0.12
F-SSS-1240-F	216	11.38	38.97	0.5	4.8	0.13
F-SSS-1241-F	216	11.38	39.97	0.5	4.92	0.13
F-SSS-1241D-F	216	11.38	40.47	0.5	4.98	0.13
F-SSS-1242-F	216	11.38	40.97	0.5	5.04	0.13
F-SSS-1243-F	232	11.38	41.97	0.5	5.16	0.14
F-SSS-1244-F	232	11.38	42.97	0.5	5.28	0.14
F-SSS-1244D-F	232	11.38	43.47	0.5	5.34	0.14
F-SSS-1245-F	232	11.38	43.97	0.5	5.4	0.14
F-SSS-1248-F	244	11.38	46.97	0.5	5.76	0.15
F-SSS-1254-F	275	11.38	52.97	0.5	6.48	0.17
F-SSS-1260-F	302	11.38	58.97	0.5	7.2	0.19
F-SSS-1266-F	333	11.38	64.97	0.5	7.92	0.21

Code	Price	H (in.)	W (in.)	D 1 (in.)	Weight (lb)	Volume (ft ³)
F-SSS-1424-F	143	13.25	22.97	0.5	3.36	0.09
F-SSS-1430-F	175	13.25	28.97	0.5	4.2	0.11
F-SSS-1434-F	208	13.25	32.97	0.5	5.04	0.13
F-SSS-1434D-F	208	13.25	33.47	0.5	5.04	0.13
F-SSS-1435-F	208	13.25	33.97	0.5	5.04	0.13
F-SSS-1435D-F	208	13.25	34.47	0.5	5.04	0.13
F-SSS-1436-F	208	13.25	34.97	0.5	5.04	0.13
F-SSS-1437-F	220	13.25	35.97	0.5	5.18	0.14
F-SSS-1437D-F	220	13.25	36.47	0.5	5.25	0.14
F-SSS-1438-F	220	13.25	36.97	0.5	5.32	0.14
F-SSS-1438D-F	220	13.25	37.47	0.5	5.39	0.14
F-SSS-1439-F	220	13.25	37.97	0.5	5.46	0.15
F-SSS-1440-F	241	13.25	38.97	0.5	5.6	0.15
F-SSS-1441-F	241	13.25	39.97	0.5	5.74	0.15
F-SSS-1441D-F	241	13.25	40.47	0.5	5.81	0.16
F-SSS-1442-F	241	13.25	40.97	0.5	5.88	0.16
F-SSS-1443-F	258	13.25	41.97	0.5	6.02	0.16
F-SSS-1444-F	258	13.25	42.97	0.5	6.16	0.16
F-SSS-1444D-F	258	13.25	43.47	0.5	6.23	0.17
F-SSS-1445-F	258	13.25	43.97	0.5	6.3	0.17
F-SSS-1448-F	271	13.25	46.97	0.5	6.72	0.18
F-SSS-1454-F	303	13.25	52.97	0.5	7.56	0.2
F-SSS-1460-F	336	13.25	58.97	0.5	8.4	0.23
F-SSS-1466-F	369	13.25	64.97	0.5	9.24	0.25

Code	Price	H (in.)	W (in.)	D 1 (in.)	Weight (lb)	Volume (ft ³)
F-SSS-2024-F	189	19.25	22.97	0.5	4.8	0.13
F-SSS-2030-F	231	19.25	28.97	0.5	6	0.16
F-SSS-2034-F	271	19.25	32.97	0.5	7.2	0.18
F-SSS-2034D-F	272	19.25	33.47	0.5	7.2	0.19
F-SSS-2035-F	271	19.25	33.97	0.5	7.2	0.19
F-SSS-2035D-F	271	19.25	34.47	0.5	7.2	0.19
F-SSS-2036-F	271	19.25	34.97	0.5	7.2	0.19
F-SSS-2037-F	294	19.25	35.97	0.5	7.4	0.2
F-SSS-2037D-F	294	19.25	36.47	0.5	7.5	0.2
F-SSS-2038-F	294	19.25	36.97	0.5	7.6	0.21
F-SSS-2038D-F	294	19.25	37.47	0.5	7.7	0.21
F-SSS-2039-F	294	19.25	37.97	0.5	7.8	0.21
F-SSS-2040-F	316	19.25	38.97	0.5	8	0.22
F-SSS-2041-F	316	19.25	39.97	0.5	8.2	0.22
F-SSS-2041D-F	316	19.25	40.47	0.5	8.3	0.23
F-SSS-2042-F	316	19.25	40.97	0.5	8.4	0.23
F-SSS-2043-F	336	19.25	41.97	0.5	8.6	0.23
F-SSS-2044-F	336	19.25	42.97	0.5	8.8	0.24
F-SSS-2044D-F	336	19.25	43.47	0.5	8.9	0.24
F-SSS-2045-F	336	19.25	43.97	0.5	9	0.24
F-SSS-2048-F	359	19.25	46.97	0.5	9.6	0.26
F-SSS-2054-F	400	19.25	52.97	0.5	10.8	0.3
F-SSS-2060-F	443	19.25	58.97	0.5	12	0.33
F-SSS-2066-F	482	19.25	64.97	0.5	13.2	0.36

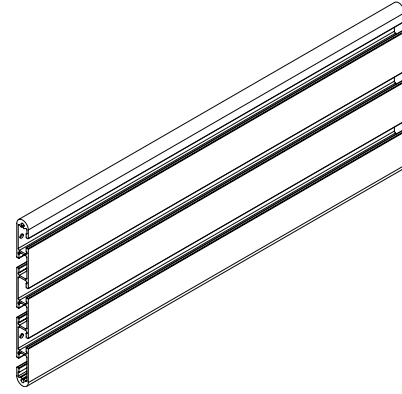


Scene Pricebook
November 2024

Screen Components

screen components

<u>accessories rail - end to end</u>	<u>218</u>
<u>accessories rail - end to share</u>	<u>220</u>
<u>accessories rail - share to share</u>	<u>221</u>
<u>post</u>	<u>222</u>



What's Included:

Accessory rail (1).

How to Specify:

Accessory rail is 8" in height.

Accessory rail is finished in silver, white or black powder coat.

Options:

Width 24", 30", 36", 37", 38", 39", 40", 41", 42", 43", 44", 45", 46", 48", 50", 51", 52", 53", 54", 56", 57", 58", 59", 60", 63", 64", 65", 66", 68", 69", 70", 71", 72"

Accessories rail color	P112 silver	P121 white	P114 black
------------------------	--------------------	-------------------	-------------------

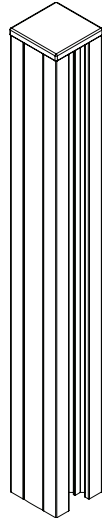
How to Order and Read your Code:

F	SEE	08	57
product line	item	height	width

Code	Price	H (in.)	W (in.)	D T (in.)	Weight (lb)	Volume (ft ³)
F-SEE-0824	120	7.85	20.44	0.5	3.84	0.05
F-SEE-0830	139	7.85	26.44	0.5	4.8	0.06
F-SEE-0836	159	7.85	32.44	0.5	5.76	0.07
F-SEE-0842	181	7.85	38.44	0.5	6.72	0.09
F-SEE-0844	193	7.85	40.44	0.5	7.04	0.09
F-SEE-0845	193	7.85	41.44	0.5	7.2	0.09
F-SEE-0846	202	7.85	42.44	0.5	7.36	0.1
F-SEE-0848	202	7.85	44.44	0.5	7.68	0.1
F-SEE-0850	213	7.85	46.44	0.5	8	0.11
F-SEE-0851	213	7.85	47.44	0.5	8.16	0.11
F-SEE-0852	220	7.85	48.44	0.5	8.32	0.11
F-SEE-0853	220	7.85	49.44	0.5	8.48	0.11
F-SEE-0854	220	7.85	50.44	0.5	8.64	0.11
F-SEE-0856	233	7.85	52.44	0.5	8.96	0.12
F-SEE-0857	233	7.85	53.44	0.5	9.12	0.12
F-SEE-0858	244	7.85	54.44	0.5	9.28	0.12
F-SEE-0859	244	7.85	55.44	0.5	9.44	0.13
F-SEE-0860	244	7.85	56.44	0.5	9.6	0.13
F-SEE-0862	257	7.85	58.44	0.5	9.92	0.13
F-SEE-0863	257	7.85	59.44	0.5	10.08	0.14
F-SEE-0864	265	7.85	60.44	0.5	10.24	0.14
F-SEE-0865	265	7.85	61.44	0.5	10.4	0.14
F-SEE-0866	265	7.85	62.44	0.5	10.56	0.14
F-SEE-0868	278	7.85	64.44	0.5	10.88	0.15
F-SEE-0869	278	7.85	65.44	0.5	11.04	0.15
F-SEE-0870	286	7.85	66.44	0.5	11.2	0.15
F-SEE-0871	286	7.85	67.44	0.5	11.36	0.15
F-SEE-0872	286	7.85	68.44	0.5	11.52	0.16

Code	Price	H (in.)	W (in.)	D 1 (in.)	Weight (lb)	Volume (ft ³)
F-SES-0824	120	7.85	21.69	0.5	3.84	0.05
F-SES-0830	139	7.85	27.69	0.5	4.8	0.06
F-SES-0836	159	7.85	33.69	0.5	5.76	0.08
F-SES-0837	170	7.85	34.69	0.5	5.92	0.08
F-SES-0837D	170	7.85	35.19	0.5	6	0.08
F-SES-0838	170	7.85	35.69	0.5	6.08	0.08
F-SES-0838D	170	7.85	36.19	0.5	6.16	0.08
F-SES-0839	170	7.85	36.69	0.5	6.24	0.08
F-SES-0840	181	7.85	37.69	0.5	6.4	0.09
F-SES-0841	181	7.85	38.69	0.5	6.56	0.09
F-SES-0841D	181	7.85	39.19	0.5	6.64	0.09
F-SES-0842	181	7.85	39.69	0.5	6.72	0.09
F-SES-0843	193	7.85	40.69	0.5	6.88	0.09
F-SES-0844	193	7.85	41.69	0.5	7.04	0.09
F-SES-0844D	193	7.85	42.19	0.5	7.12	0.1
F-SES-0845	193	7.85	42.69	0.5	7.2	0.1
F-SES-0846	202	7.85	43.69	0.5	7.36	0.1
F-SES-0848	202	7.85	45.69	0.5	7.68	0.1
F-SES-0850	213	7.85	47.69	0.5	8	0.11
F-SES-0851	213	7.85	48.69	0.5	8.16	0.11
F-SES-0852	220	7.85	49.69	0.5	8.32	0.11
F-SES-0853	220	7.85	50.69	0.5	8.48	0.12
F-SES-0854	220	7.85	51.69	0.5	8.64	0.12
F-SES-0856	233	7.85	53.69	0.5	8.96	0.12
F-SES-0857	233	7.85	54.69	0.5	9.12	0.12
F-SES-0858	244	7.85	55.69	0.5	9.28	0.13
F-SES-0859	244	7.85	56.69	0.5	9.44	0.13
F-SES-0860	244	7.85	57.69	0.5	9.6	0.13
F-SES-0862	257	7.85	59.69	0.5	9.92	0.14
F-SES-0863	257	7.85	60.69	0.5	10.08	0.14
F-SES-0864	265	7.85	61.69	0.5	10.24	0.14
F-SES-0865	265	7.85	62.69	0.5	10.4	0.14
F-SES-0866	265	7.85	63.69	0.5	10.56	0.14
F-SES-0868	278	7.85	65.69	0.5	10.88	0.15
F-SES-0869	278	7.85	66.69	0.5	11.04	0.15
F-SES-0870	286	7.85	67.69	0.5	11.2	0.15
F-SES-0871	286	7.85	68.69	0.5	11.36	0.16
F-SES-0872	286	7.85	69.69	0.5	11.52	0.16

Code	Price	H (in.)	W (in.)	D 1 (in.)	Weight (lb)	Volume (ft ³)
F-SSS-0824	120	7.85	22.97	0.5	3.84	0.05
F-SSS-0830	139	7.85	28.97	0.5	4.8	0.07
F-SSS-0836	159	7.85	34.97	0.5	5.76	0.08
F-SSS-0837	170	7.85	35.97	0.5	5.92	0.08
F-SSS-0837D	170	7.85	36.47	0.5	6	0.08
F-SSS-0838	170	7.85	36.97	0.5	6.08	0.08
F-SSS-0838D	170	7.85	37.47	0.5	6.16	0.09
F-SSS-0839	170	7.85	37.97	0.5	6.24	0.09
F-SSS-0840	181	7.85	38.97	0.5	6.4	0.09
F-SSS-0841	181	7.85	39.97	0.5	6.56	0.09
F-SSS-0841D	181	7.85	40.47	0.5	6.64	0.09
F-SSS-0842	181	7.85	40.97	0.5	6.72	0.09
F-SSS-0843	193	7.85	41.97	0.5	6.88	0.1
F-SSS-0844	193	7.85	42.97	0.5	7.04	0.1
F-SSS-0844D	193	7.85	43.47	0.5	7.12	0.1
F-SSS-0845	193	7.85	43.97	0.5	7.2	0.1
F-SSS-0848	202	7.85	46.97	0.5	7.68	0.11
F-SSS-0854	220	7.85	52.97	0.5	8.64	0.12
F-SSS-0860	244	7.85	58.97	0.5	9.6	0.13
F-SSS-0866	265	7.85	64.97	0.5	10.56	0.15
F-SSS-0872	286	7.85	70.97	0.5	11.52	0.16



What's Included:

Screen post (1), a top cap (1) and three channel inserts (3).

How to Specify:

Available in 14" & 20" heights.

Screen post is finished in silver, white or black powder coat.

Options:

Width 14", 20"

Post color **P112** silver **P121** white **P114** black

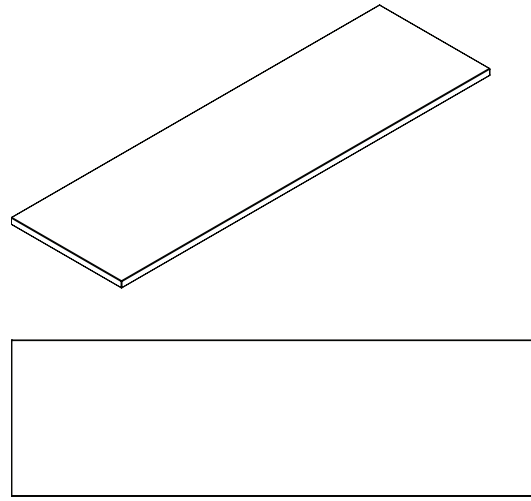
Code	Price	H (in.)	W (in.)	D 1 (in.)	Weight (lb)	Volume (ft ³)
F-PS-14	76	13.5	1.54	1.54	1	0.02
F-PS-20	86	19.5	1.54	1.54	1.85	0.03



Scene Pricebook
November 2024
Supports

support

spacer	226
end gable	228
flag storage gable	229
center gable	230
single support leg	231
low credenza support	232
mending plate	233



What's Included:

Spacer (1).

How to Specify:

Edge color will default to match the surface color of the worksurface unless otherwise specified.

Notes:

Spacer is 1-inch thick.

All spacers have 2mm vinyl edge trim.

Low pressure laminate is available on the top surface of a spacer

Options:

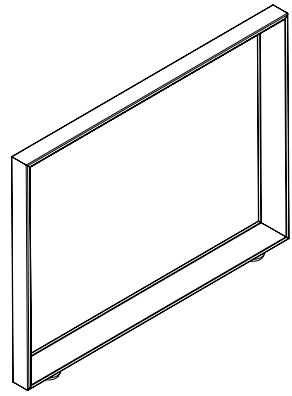
Width 12", 18", 24", 30", 36", 42", 48", 54", 60", 66", 72", 78", 84", 90", 96"

Depth 18"

How to Order and Read your Code:

F **SS** **60**
 product line item width

Code	Price	H (in.)	W (in.)	D 1 (in.)	Weight (lb)	Volume (ft ³)
F-SS-1218	58	1	12	18	4.32	0.13
F-SS-1818	80	1	18	18	6.48	0.19
F-SS-2418	100	1	24	18	8.64	0.25
F-SS-3018	120	1	30	18	10.8	0.31
F-SS-3618	141	1	36	18	12.96	0.38
F-SS-4218	161	1	42	18	15.12	0.44
F-SS-4818	181	1	48	18	17.28	0.5
F-SS-5418	205	1	54	18	19.44	0.56
F-SS-6018	220	1	60	18	21.6	0.63
F-SS-6618	244	1	66	18	23.76	0.69
F-SS-7218	265	1	72	18	25.92	0.75
F-SS-7818	286	1	78	18	28.08	0.81
F-SS-8418	306	1	84	18	30.24	0.88
F-SS-9018	328	1	90	18	32.4	0.94
F-SS-9618	349	1	96	18	34.56	1



What's Included:

End gable (1) and two levelers (2).

How to Specify:

Specify the width of the end gable to be the same as the depth of the worksurface being supported.

End gable is finished in silver, black or white powder coat.

Options:

Width 24", 30", 36", 42", 48", 60"

Gable color **P112** silver **P121** white **P114** black

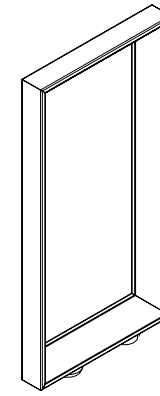
Notes:

Used at the end of a worksurface run for support.

Two levelers with a leveling range of 2.5-inches are included.

Supports a worksurface at a height of 28".

Code	Price	H (in.)	W (in.)	D 1 (in.)	Weight (lb)	Volume (ft ³)
F-HOEG-2824	317	27.28	23.43	1.53	13.44	0.57
F-HOEG-2830	347	27.28	29.53	1.53	16.8	0.71
F-HOEG-2836	375	27.28	35.43	1.53	20.16	0.86
F-HOEG-2842	414	27.28	41.54	1.53	23.52	1
F-HOEG-2848	451	27.28	47.64	1.53	26.88	1.15
F-HOEG-2860	500	27.28	59.45	1.53	33.6	1.44



What's Included:

End gable (1) and two levelers (2).

How to Specify:

Flag storage gable is finished in silver, black or white powder coat..

Options:

Leg Color **P112** silver **P121** white **P114** black

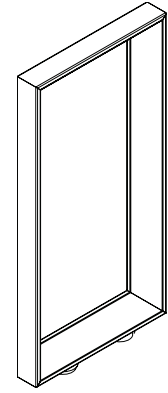
Notes:

Used at the end of a flag storage for support of the flag storage cabinet.

Two levelers with a leveling range of 2.5-inches are included.

Supports a flag storage at a height of 29".

Code	Price	H (in.)	W (in.)	D 1 (in.)	Weight (lb)	Volume (ft ³)
F-HFSS-2914	272	28.27	13.58	1.53	7.84	0.34



What's Included:

Center gable (1) and two levelers (2).

How to Specify:

Specify the width of the center gable to be the same as the depth of the worksurface being supported.

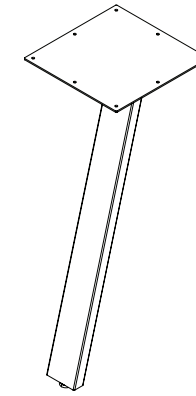
End gable is finished in silver, black or white powder coat.

Options:

Width 12", 24", 30", 36", 48", 60"

Leg Color **P112** silver **P121** white **P114** black

Code	Price	H (in.)	W (in.)	D 1 (in.)	Weight (lb)	Volume (ft ³)
F-HOCG-2812	234	27.28	11.61	1.53	20.6	0.28
F-HOCG-2824	259	27.28	23.42	1.53	33.6	0.57
F-HOCG-2830	277	27.28	29.53	1.53	40.32	0.72
F-HOCG-2836	345	27.28	35.43	1.53	46.6	0.86
F-HOCG-2848	447	27.28	47.44	1.53	55	1



What's Included:

Single support leg (1), a leveler (1) and fastners.

How to Specify:

Single support leg is finished in silver, black or white powder coat.

Options:

Leg Color **P112** silver **P121** white **P114** black

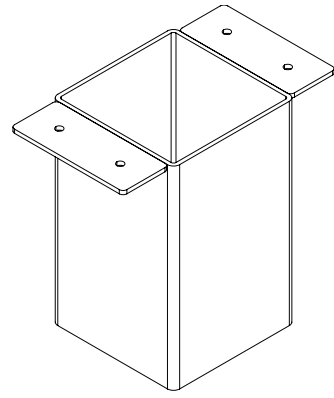
Notes:

Used to support one end of a worksurfaces where the other end is supported by a high credenza or end gable.

One levelers with a leveling range of 2.5-inches are included.

Supports a worksurface at a height of 28"

Code	Price	H (in.)	W (in.)	D 1 (in.)	Weight (lb)	Volume (ft ³)
F-HSSP-28	284	27.9	10	12	6	1.94



What's Included:

Low credenza support (1), and fasteners (4).

How to Specify:

Low credenza support is finished in silver, black or white powder coat.

Options:

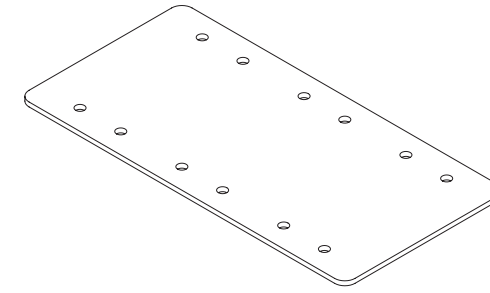
Leg Color **P112** silver **P121** white **P114** black

Notes:

Mounted directly to the underside of the worksurface.

Supports a worksurface at a height of 28".

Code	Price	H (in.)	W (in.)	D 1 (in.)	Weight (lb)	Volume (ft ³)
F-HCFM	181	6.38	7	4	6	0.1



What's Included:

Mending plate (1)

How to Specify:

Mending plate is finished in silver powder coat.

Options:

Leg Color **P112** silver

Notes:

Mounted directly to the underside of two worksurface.

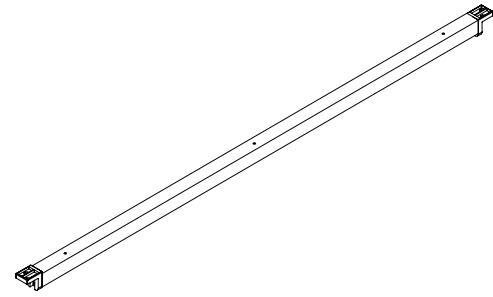
Code	Price	H (in.)	W (in.)	D 1 (in.)	Weight (lb)	Volume (ft ³)
F-PWW	43	5.5	3	0.13	1	0.01



Scene Pricebook
November 2024
**Reinforcement
Bars**

reinforcement bar

<u>end to end</u>	236
<u>end to share</u>	238
<u>share to share</u>	240
<u>end to no connector</u>	242
<u>share to no connector</u>	244
<u>no connector</u>	246
<u>short beam</u>	247



What's Included:

Reinforcement bar (1), two end brackets (2) and fasteners (2).

How to Specify:

Length of the reinforcement bar is referred to as the width to correspond to the worksurface.

Specify the width of the reinforcement bar to be the same as the width of worksurface being supported.

Reinforcement bar is finished in silver, black or white powder coat.

Notes:

Mounted directly to an end gable.

Options:

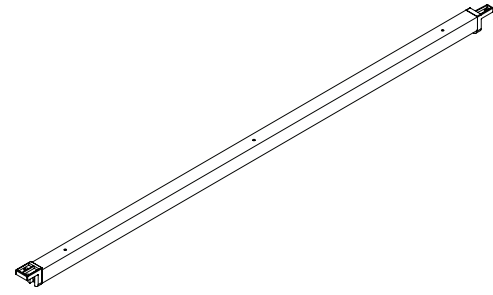
Width 36", 42", 48", 54", 60", 66", 72", 78", 84", 90", 96"

Leg Color **P112** silver **P121** white **P114** black

How to Order and Read your Code:

F **HRB-EE** **72**
 product line item width

Code	Price	H (in.)	W (in.)	D 1 (in.)	Weight (lb)	Volume (ft ³)
F-HRB-EE-36	201	2.44	33.79	1.57	7.2	0.06
F-HRB-EE-42	212	2.44	39.79	1.57	8.4	0.07
F-HRB-EE-48	220	2.44	45.79	1.57	9.6	0.08
F-HRB-EE-54	234	2.44	51.79	1.57	10.8	0.09
F-HRB-EE-60	244	2.44	57.79	1.57	12	0.11
F-HRB-EE-66	258	2.44	63.79	1.57	13.2	0.12
F-HRB-EE-72	267	2.44	69.79	1.57	14.4	0.13
F-HRB-EE-78	280	2.44	75.79	1.57	15.6	0.14
F-HRB-EE-84	293	2.44	81.79	1.57	16.8	0.15
F-HRB-EE-90	302	2.44	87.79	1.57	18	0.16
F-HRB-EE-96	316	2.44	93.79	1.57	19.2	0.17



What's Included:

Reinforcement bar (1), one end bracket (1), one share bracket (1) and fasteners (2).

How to Specify:

Length of the reinforcement bar is referred to as the width to correspond to the worksurface.

Specify the width of the reinforcement bar to be the same as the width of worksurface being supported.

Reinforcement bar is finished in silver, black or white powder coat.

Options:

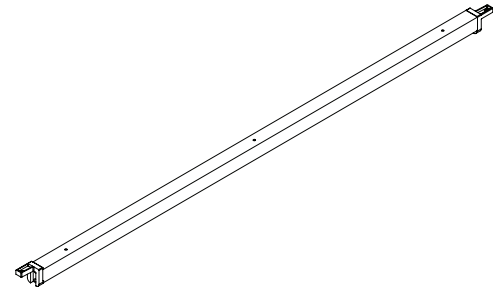
Width 36", 42", 48", 54", 60", 66", 72", 78", 84", 90", 96"

Leg Color **P112** silver **P121** white **P114** black

Notes:

Mounted directly to an end gable and a center gable.

Code	Price	H (in.)	W (in.)	D 1 (in.)	Weight (lb)	Volume (ft ³)
F-HRB-ES-36	205	2.44	35.35	1.57	7.2	0.06
F-HRB-ES-42	214	2.44	41.35	1.57	8.4	0.08
F-HRB-ES-48	222	2.44	47.35	1.57	9.6	0.09
F-HRB-ES-54	237	2.44	53.35	1.57	10.8	0.1
F-HRB-ES-60	246	2.44	59.35	1.57	12	0.11
F-HRB-ES-66	260	2.44	65.35	1.57	13.2	0.12
F-HRB-ES-72	271	2.44	71.35	1.57	14.4	0.13
F-HRB-ES-78	282	2.44	77.35	1.57	15.6	0.14
F-HRB-ES-84	295	2.44	83.35	1.57	16.8	0.15
F-HRB-ES-90	305	2.44	89.35	1.57	18	0.16
F-HRB-ES-96	317	2.44	95.35	1.57	19.2	0.17



What's Included:

Reinforcement bar (1), two share brackets (2) and fasteners (2).

How to Specify:

Length of the reinforcement bar is referred to as the width to correspond to the worksurface.

Specify the width of the reinforcement bar to be the same as the width of worksurface being supported.

Reinforcement bar is finished in silver, black or white powder coat.

Notes:

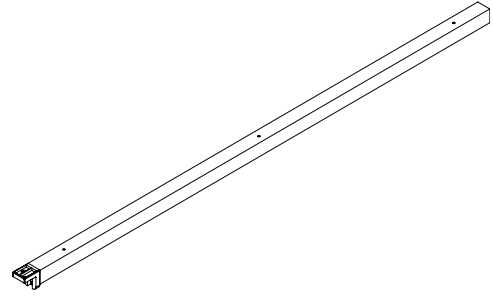
Mounted directly to two center gables.

Options:

Width 36", 42", 48", 54", 60", 66", 72", 78", 84", 90", 96"

Leg Color **P112** silver **P121** white **P114** black

Code	Price	H (in.)	W (in.)	D 1 (in.)	Weight (lb)	Volume (ft ³)
F-HRB-SS-36	208	2.44	36.91	1.57	7.2	0.07
F-HRB-SS-42	216	2.44	42.91	1.57	8.4	0.08
F-HRB-SS-48	230	2.44	48.91	1.57	9.6	0.09
F-HRB-SS-54	241	2.44	54.91	1.57	10.8	0.1
F-HRB-SS-60	252	2.44	60.91	1.57	12	0.11
F-HRB-SS-66	264	2.44	66.91	1.57	13.2	0.12
F-HRB-SS-72	275	2.44	72.91	1.57	14.4	0.13
F-HRB-SS-78	286	2.44	78.91	1.57	15.6	0.14
F-HRB-SS-84	298	2.44	84.91	1.57	16.8	0.15
F-HRB-SS-90	306	2.44	90.91	1.57	18	0.17
F-HRB-SS-96	319	2.44	96.91	1.57	19.2	0.18



What's Included:

Reinforcement bar (1), one end bracket (1), one end cap (1) and fasteners (2).

How to Specify:

Length of the reinforcement bar is referred to as the width to correspond to the worksurface.

Specify the width of the reinforcement bar to be the same as the width of worksurface being supported.

Reinforcement bar is finished in silver, black or white powder coat.

Options:

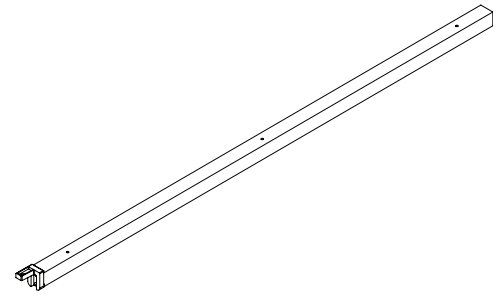
Width 24", 30", 36", 42", 48", 54", 60", 66", 72", 78", 84", 90", 96"

Leg Color **P112** silver **P121** white **P114** black

Notes:

Mounted directly to an end gable.

Code	Price	H (in.)	W (in.)	D 1 (in.)	Weight (lb)	Volume (ft ³)
F-HRB-EN-24	107	2.44	24	1.57	4.8	0.05
F-HRB-EN-30	117	2.44	30	1.57	6	0.06
F-HRB-EN-36	128	2.44	36	1.57	7.2	0.07
F-HRB-EN-42	141	2.44	42	1.57	8.4	0.08
F-HRB-EN-48	152	2.44	48	1.57	9.6	0.09
F-HRB-EN-54	161	2.44	54	1.57	10.8	0.1
F-HRB-EN-60	174	2.44	60	1.57	12	0.11
F-HRB-EN-66	187	2.44	66	1.57	13.2	0.12
F-HRB-EN-72	197	2.44	72	1.57	14.4	0.13
F-HRB-EN-78	209	2.44	78	1.57	15.6	0.14
F-HRB-EN-84	218	2.44	84	1.57	16.8	0.15
F-HRB-EN-90	232	2.44	90	1.57	18	0.17
F-HRB-EN-96	242	2.44	96	1.57	19.2	0.18



What's Included:

Reinforcement bar (1), one share bracket (1), one end cap (1) and fasteners (2).

How to Specify:

Length of the reinforcement bar is referred to as the width to correspond to the worksurface.

Specify the width of the reinforcement bar to be the same as the width of worksurface being supported.

Reinforcement bar is finished in silver, black or white powder coat.

Options:

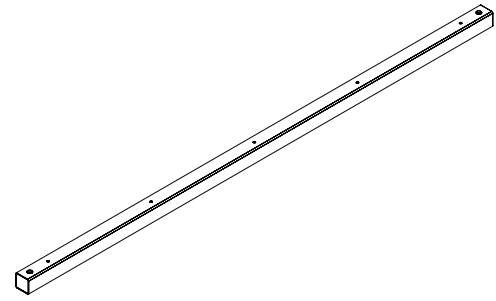
Width 36", 42", 48", 54", 60", 66", 72", 78", 84", 90", 96"

Leg Color **P112** silver **P121** white **P114** black

Notes:

Mounted directly to a center gable.

Code	Price	H (in.)	W (in.)	D 1 (in.)	Weight (lb)	Volume (ft ³)
F-HRB-SN-36	128	2.44	36.91	1.57	7.2	0.07
F-HRB-SN-42	141	2.44	42.91	1.57	8.4	0.08
F-HRB-SN-48	152	2.44	48.91	1.57	9.6	0.09
F-HRB-SN-54	161	2.44	54.91	1.57	10.8	0.1
F-HRB-SN-60	174	2.44	60.91	1.57	12	0.11
F-HRB-SN-66	187	2.44	66.91	1.57	13.2	0.12
F-HRB-SN-72	197	2.44	72.91	1.57	14.4	0.13
F-HRB-SN-78	209	2.44	78.91	1.57	15.6	0.14
F-HRB-SN-84	218	2.44	84.91	1.57	16.8	0.15
F-HRB-SN-90	232	2.44	90.91	1.57	18	0.17
F-HRB-SN-96	242	2.44	96.91	1.57	19.2	0.18



What's Included:

Reinforcement bar (1), two end caps (2) and fasteners (2).

How to Specify:

Length of the reinforcement bar is referred to as the width to correspond to the worksurface.

Specify the width of the reinforcement bar to be the same as the width of worksurface being supported.

Reinforcement bar is finished in silver, black or white powder coat.

Notes:

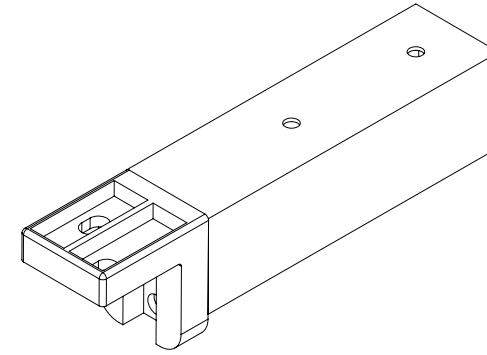
Mounted directly to a worksurface.

Options:

Width 48", 54", 60", 66", 72"

Leg Color **P112** silver **P121** white **P114** black

Code	Price	H (in.)	W (in.)	D 1 (in.)	Weight (lb)	Volume (ft ³)
F-HRB-NN-48	91	2.44	48	1.57	9.6	0.09
F-HRB-NN-54	105	2.44	54	1.57	10.8	0.1
F-HRB-NN-60	116	2.44	60	1.57	12	0.11
F-HRB-NN-66	127	2.44	66	1.57	13.2	0.12
F-HRB-NN-72	139	2.44	72	1.57	14.4	0.13



What's Included:

Short reinforcement bar (1), one end bracket (1), one end cap (1) and fasteners (2).

How to Specify:

Short beam reinforcement bar is finished in silver, black or white powder coat.

Notes:

Mounted directly to a flag storage gable.

Options:

Leg Color **P112** silver **P121** white **P114** black

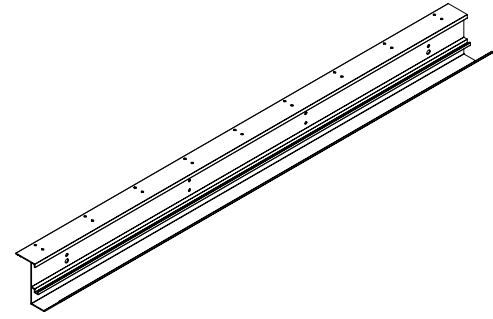
Code	Price	H (in.)	W (in.)	D 1 (in.)	Weight (lb)	Volume (ft ³)
F-HRB-SB	107	1.5	7.51	1.5	1.81	0.01



Scene Pricebook
November 2024
Electrics

electrics

wire management trough	250
trough mounted power box	252
trough mounted data box	253
electrical splitter harness	254
electrical starter harness	255
connector harness (female to female)	256
connector harness (female to female) continued	258
connector harness (female to male)	259
power pole	260
power pole bracket	261
under worksurface mounted wire manager	262
task light	263
pop-up grommet	264



What's Included:

Wire management trough (1), and fasteners (2).

How to Specify:

Length of the wire management trough is referred to as the width to correspond to the worksurface.

Specify the width of the wire management trough to the same or less than the width of the worksurface.

Available in the same nominal widths as the worksurface, but is actually shorter to accommodate worksurface supports.

Notes:

Wire management trough is 4.375-inches high and 5.375-inches deep.

Trough mounted power and/or communication box can be mounted to the wire management trough when power and/or communication access is required below the worksurface.

Facilitates lay-in cable management below the worksurface.

Options:

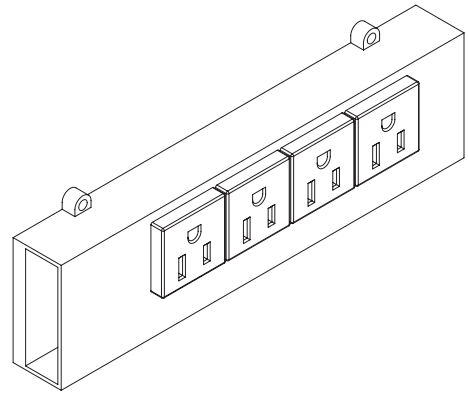
Width 36", 42", 48", 54", 60", 66", 72", 78", 84", 90", 96"

Leg color **P112** silver **P121** white **P114** black

How to Order and Read your Code:

F **EWHT** **36**
 product line item width

Code	Price	H (in.)	W (in.)	D 1 (in.)	Weight (lb)	Volume (ft ³)
F-EWHT-36	123	4.41	28	5.38	3.6	0.38
F-EWHT-42	137	4.41	34	5.38	4.2	0.46
F-EWHT-48	152	4.41	40	5.38	4.8	0.54
F-EWHT-54	165	4.41	46	5.38	5.4	0.63
F-EWHT-60	179	4.41	52	5.38	6	0.71
F-EWHT-66	196	4.41	58	5.38	6.6	0.79
F-EWHT-72	210	4.41	64	5.38	7.2	0.87
F-EWHT-78	222	4.41	70	5.38	7.8	0.95
F-EWHT-84	241	4.41	76	5.38	8.4	1.03
F-EWHT-90	257	4.41	82	5.38	9	1.12
F-EWHT-96	270	4.41	88	5.38	9.6	1.2



What's Included:

Trough mounted power box (1), and removable fasteners (2).

How to Specify:

Specify electrical harnesses separately.
Available in grey plastic only.

Options:

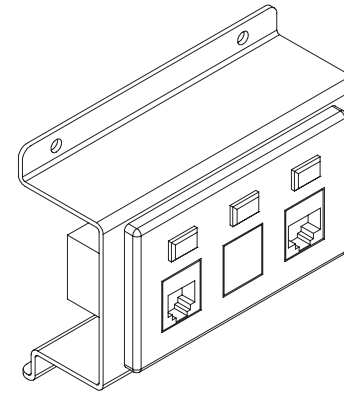
output national code

Notes:

Mounted to the worksurface wire management trough when power access is required below the worksurface.

Equipped with an 8-wire, 4-circuit electrical configuration (four electrical receptacles).

Code	Price	H (in.)	W (in.)	D 1 (in.)	Weight (lb)	Volume (ft ³)
F-EM84-T	205	2.88	8.38	1.25	0.6	0.02



What's Included:

Trough mounted data box (1), and removable fasteners (2).

How to Specify:

Specify communication cables separately.
Mounting bracket is finished in silver, black or white powder coat to match the wire management trough.
Interface with communication receptacles is grey only.

Notes:

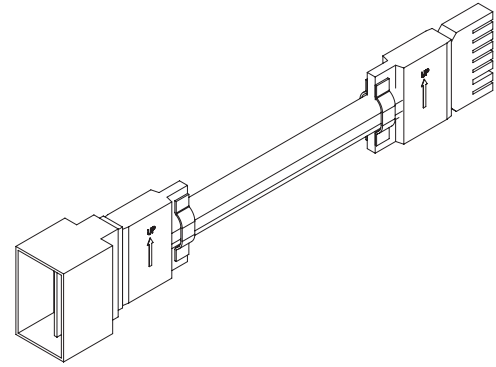
Mounted to the worksurface wire management trough when communication access is required below the worksurface.

Equipped with one RJ11 outlet, one RJ45 outlet, and a spare opening.

Options:

Output	11/45	K3 11/11/45	K6 11/45/45
Data box color	P112 silver	P121 white	P114 black

Code	Price	H (in.)	W (in.)	D 1 (in.)	Weight (lb)	Volume (ft ³)
F-EC-T	207	2.88	3.75	1.5	0.6	0.02
F-EC-T-K3	293	2.88	3.75	1.5	0.6	0.02
F-EC-T-K6	230	2.88	3.75	1.5	0.6	0.02



What's Included:

Electrical splitter harness (1).

How to Specify:

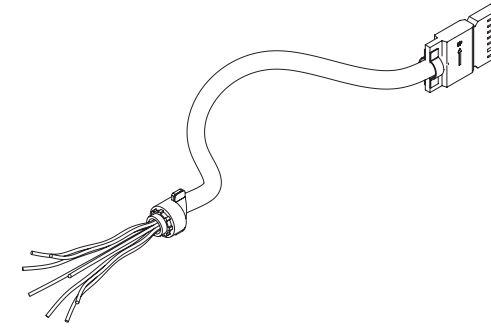
Refer to local codes for limits or restrictions on harness length.

Notes:

A qualified electrician must perform the connection to the building power supply.

Equipped with one male end that fits into the female end of a power box while the other end has two female ends..

Code	Price	W (in.)	Weight (lb)	Volume (ft ³)
F-EX84-12	129	12	0.9	0.5



What's Included:

Electrical starter harness (1).

How to Specify:

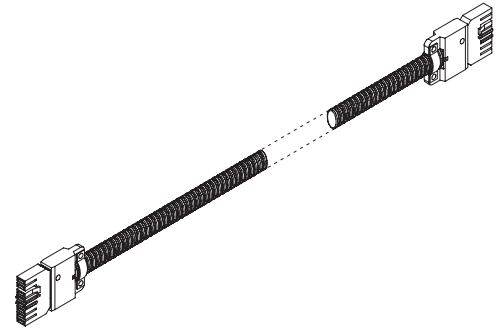
Refer to local codes for limits or restrictions on harness length.

Notes:

A qualified electrician must perform the connection to the building power supply.

Equipped with one male end that fits into the female end of a power box while the other end is meant to be hard wired to a building's power supply.

Code	Price	W (in.)	Weight (lb)	Volume (ft ³)
F-ES84-072	340	72	2.48	2.96
F-ES84-168	579	168	5.12	4.59



What's Included:

Connector harness (1).

How to Specify:

Refer to local codes for limits or restrictions on harness length.

Options:

Width 22", 25", 28", 31", 34", 37", 40", 43", 46", 49", 52", 55", 58", 61", 64", 67", 70", 73", 76", 79", 82", 85", 88", 91", 94", 97", 100", 103", 106", 109", 112", 115", 118", 121", 124", 127", 130", 133", 136", 139", 142", 145", 148", 151", 154", 157", 160", 163", 166", 169", 172", 175", 178", 181"

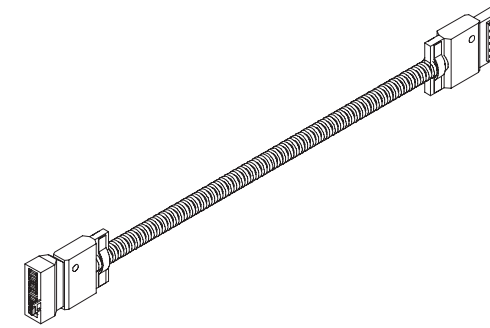
Notes:

A qualified electrician must perform the connection to the building power supply.

Equipped with two female ends.

Code	Price	W (in.)	Weight (lb)	Volume (ft ³)
F-EH-22	197	22	0.7	0
F-EH-25	205	25	0.8	0
F-EH-28	210	28	0.9	0
F-EH-31	216	31	1	0
F-EH-34	220	34	1.1	0
F-EH-37	233	37	1.2	0
F-EH-40	240	40	1.3	0
F-EH-43	245	43	1.4	0
F-EH-46	257	46	1.5	0
F-EH-49	261	49	1.6	0
F-EH-52	270	52	1.7	0
F-EH-55	275	55	1.8	0
F-EH-58	282	58	1.9	0
F-EH-61	293	61	2	0
F-EH-64	298	64	2.1	0
F-EH-67	302	67	2.2	0
F-EH-70	316	70	2.3	0
F-EH-73	319	73	2.4	0
F-EH-76	324	76	2.5	0
F-EH-79	336	79	2.6	0
F-EH-82	340	82	2.7	0
F-EH-85	348	85	2.8	0
F-EH-88	360	88	2.9	0
F-EH-91	366	91	3	0
F-EH-94	371	94	3.1	0
F-EH-97	381	97	3.2	0
F-EH-100	386	100	3.3	0

Code	Price	W (in.)	Weight (lb)	Volume (ft ³)
F-EH-103	395	103	3.4	0
F-EH-106	403	106	3.5	0
F-EH-109	409	109	3.5	0
F-EH-112	418	112	3.7	0
F-EH-115	423	115	3.8	0
F-EH-118	428	118	3.9	0
F-EH-121	438	121	4	0
F-EH-124	447	124	4.1	0
F-EH-127	453	127	4.2	0
F-EH-130	457	130	4.3	0
F-EH-133	466	133	4.4	0
F-EH-136	475	136	4.5	0
F-EH-139	481	139	4.6	0
F-EH-142	488	142	4.7	0
F-EH-145	642	145	4.8	0
F-EH-148	652	148	4.9	0
F-EH-151	659	151	5	0
F-EH-154	664	154	5.1	0
F-EH-157	668	157	5.2	0
F-EH-160	681	160	5.3	0
F-EH-163	689	163	5.4	0
F-EH-166	692	166	5.5	0
F-EH-169	696	169	5.6	0
F-EH-172	708	172	5.7	0
F-EH-175	714	175	5.8	0
F-EH-178	719	178	5.9	0
F-EH-181	727	181	6	0



What's Included:

Connector harness (1).

How to Specify:

Refer to local codes for limits or restrictions on harness length.

Options:

Width 44", 122"

Notes:

A qualified electrician must perform the connection to the building power supply.

Equipped with one male end and one female end.

Code	Price	W (in.)	Weight (lb)	Volume (ft ³)
F-E8FM-044	275	44	1.5	1.45
F-E8FM-122	457	122	2.5	2.15



What's Included:

Power pole back and cover (1), ceiling grommet - two halves (1), removable fasteners (9), and screw caps (2).

How to Specify:

The ceiling feed cable management column must be attach to a partition.

Back and cover finished in silver, black or white powder coat.

Ceiling grommet finished in white powder coat only.

Notes:

The power pole is 1.875-inches wide and 3.75-inches deep.

Power and communication cables are laid into separate channels of the power pole back.

Spans from the ceiling to the floor allowing power and communication cables access from the ceiling into the wire trough on a partition.

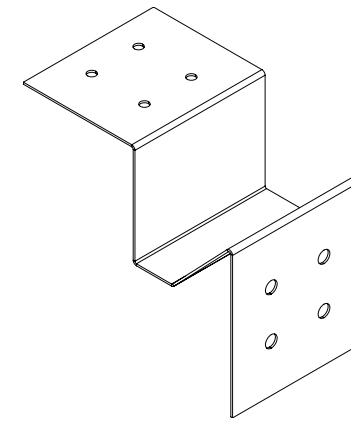
Can be stacked to span heights greater than 120-inches with stacking brackets included, however a second power pole must be specified.

Options:

Width 96", 108", 120"

Leg color **P112** silver **P121** white **P114** black

Code	Price	H (in.)	Weight (lb)	Volume (ft ³)
F-ECCC-96	360	96	1.54	0.39
F-ECCC-108	396	108	1.73	0.44
F-ECCC-120	435	120	1.92	0.49



What's Included:

Power pole bracket (2) and fasteners (8).

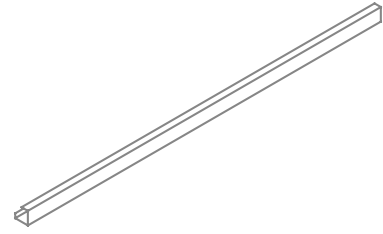
How to Specify:

Power pole bracket is finished in silver, black or white powder coat.

Notes:

The power pole bracket connects a worksurface to a power pole.

Code	Price	H (in.)	W (in.)	D 1 (in.)	Weight (lb)	Volume (ft ³)
F-ECBK	137	5	5.62	3.5	1	0.06



What's Included:

Under worksurface mounted wire manager (1).

How to Specify:

Specify the size needed.

Available in black only.

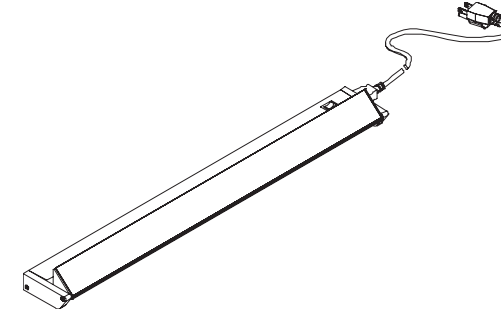
Notes:

Under worksurface wire manager attaches to the under side of the worksurface.

Options:

Size	12"W	24"W	36"W
------	------	------	------

Code	Price	H (in.)	W (in.)	D 1 (in.)	Weight (lb)	Volume (ft ³)
V-EWHB-12	8	1.5	12	1.5	0.2	0.02
V-EWHB-24	16	1.5	24	1.5	0.4	0.04
V-EWHB-36	23	1.5	36	1.5	0.6	0.06



What's Included:

Task Light (1) and installation hardware.

How to Specify:

This product is available only in silver.

Notes:

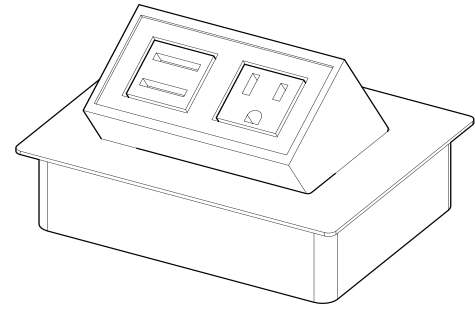
The task light can be mounted beneath an overhead cabinet or shelf to provide focused lighting within the workstation.

The task light cord is 9-feet long from the end of the task light.

Options:

Width	24", 36", 48"
-------	---------------

Code	Price	H (in.)	W (in.)	D 1 (in.)	Weight (lb)	Volume (ft ³)
V-ELU-24	302	1.1	24	3.5	9.5	0.16
V-ELU-36	340	1.1	36	3.5	13.5	0.27
V-ELU-48	427	1.1	48	3.5	17.9	0.38



What's Included:

in-surface pop-up grommet with 1 power and dual USB.

How to Specify:

Available in silver, black, and white.

Notes:

120" cord length

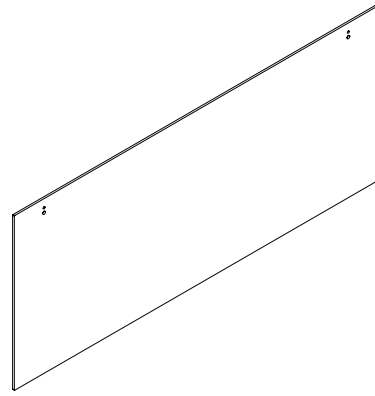
Code	Price	W (in.)	D 1 (in.)	Color
8530-0168	689	5	3.75	silver
8530-0619	689	5	3.75	black
8530-0178	689	5	3.75	white



Scene Pricebook
November 2024
Accessories

accessories

<u>trough mounted modesty</u>	268
<u>surface mounted metal screen</u>	270
<u>accessory screen</u>	271
<u>storage cube</u>	272
<u>paper sorter</u>	273
<u>paper tray</u>	274
<u>pen holder</u>	275
<u>monitor arm</u>	276
<u>keyboard tray</u>	277
<u>pencil tray</u>	278
<u>credenza seat cushion</u>	279



What's Included:

Trough mounted modesty (1), two square mounting clamp caps and removable fasteners (2-4).

How to Specify:

Specify the width of the screen to the same or less than the width of the worksurface being used for support.

Specify the width of the screen to the 18-inches or less than the width of the worksurface being used for support if a credenza is specified to support one end of the worksurface.

Available in the same nominal widths as the worksurface, but is actually shorter to accommodate worksurface supports.

Constructed of acrylic and available in frosted finish.

Notes:

Trough mounted modesty is 1/8-inch thick.

Positioned on the bottom of a worksurface with the vertical face approximately 10-inches from the visitor edge of the worksurface.

Mounting clamps with clamping screw are fastened to the mounting clamp retaining plates that are fitted into the hole sets located in two/three locations on the screen.

A top mounting flange fits into the inward facing top channel of the perpendicular reinforcement beam closest to the visitor edge of the worksurface if specified.

Options:

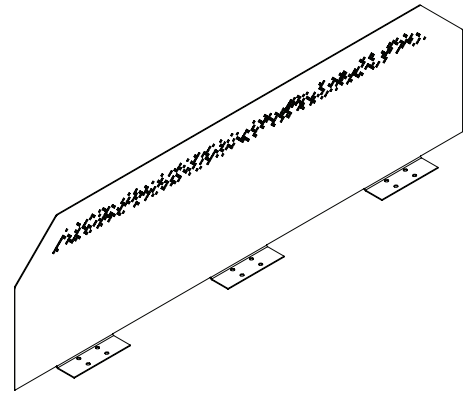
Width 28", 36", 42", 48", 54", 60", 66", 72", 78", 84", 90", 96"

Acrylic **F** frost

How to Order and Read your Code:

F **ATMM** **16** **28**
 product line item height width

Code	Price	H (in.)	W (in.)	D 1 (in.)	Weight (lb)	Volume (ft ³)
frosted						
F-ATMM-1636-F	272	16	28	5.38	6	1.88
F-ATMM-1642-F	312	16	34	5.38	7.2	2.29
F-ATMM-1648-F	354	16	40	5.38	8.4	2.69
F-ATMM-1654-F	395	16	46	5.38	9.6	3.09
F-ATMM-1660-F	431	16	52	5.38	10.8	3.5
F-ATMM-1666-F	475	16	58	5.38	12	3.9
F-ATMM-1672-F	541	16	64	5.38	13.2	4.3
F-ATMM-1678-F	581	16	70	5.38	14.4	4.71
F-ATMM-1684-F	622	16	76	5.38	15.6	5.11
F-ATMM-1690-F	664	16	82	5.38	16.8	5.52
F-ATMM-1696-F	703	16	88	5.38	18	5.92



What's Included:

Surface mounted metal screen (1) and removable fasteners (12).

How to Specify:

Available in the same nominal widths as the worksurface, but is actually shorter to accommodate worksurface supports.

Available in a variety of powder coat finish colors. Refer to the samples presented on Tayco metal finish card - accent finish.

Notes:

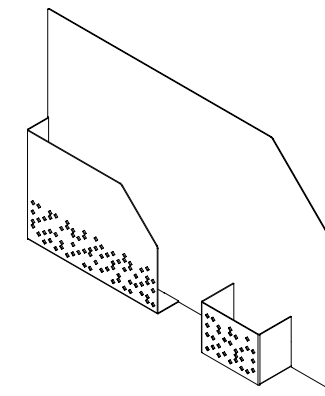
The surface mounted metal screen is placed between two worksurfaces. It can be used on a single surface as well.

Options:

Width 36", 42", 48", 54", 60", 66", 72"

Color **P121** white **P200** sunrise **P201** tropic
P202 vineyard **P203** sky **P204** meadow

Code	Price	H (in.)	W (in.)	D 1 (in.)	Weight (lb)	Volume (ft ³)
F-ASMS-1336	381	13	36	6	5	2.13
F-ASMS-1342	444	13	42	6	5.5	2.48
F-ASMS-1348	501	13	48	6	6	2.83
F-ASMS-1354	540	13	54	6	6.5	3.19
F-ASMS-1360	625	13	60	6	7	3.54
F-ASMS-1366	744	13	66	6	7.5	3.9
F-ASMS-1372	783	13	72	6	8	4.25



What's Included:

Accessory screen (1).

How to Specify:

Available in a variety of powder coat finish colors. Refer to the samples presented on Tayco metal finish card - accent finish.

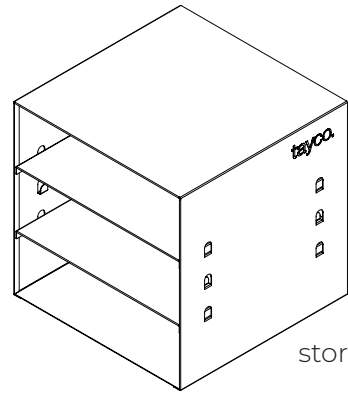
Notes:

The accessory screen is a freestanding privacy screen.

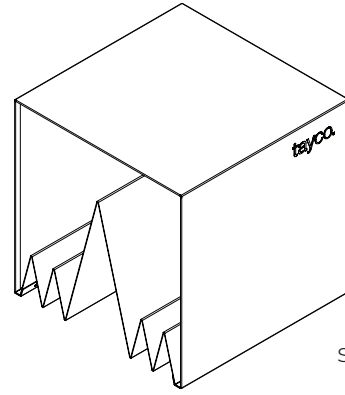
Options:

Color **P121** white **P200** sunrise **P201** tropic
P202 vineyard **P203** sky **P204** meadow

Code	Price	H (in.)	W (in.)	D 1 (in.)	Weight (lb)	Volume (ft ³)
F-ASCN-1320	369	13	20	6	10	1.18



storage cube (shelf)



storage cube (sorter)

What's Included:

Shelf: Storage cube (1) and two shelf inserts (2).
 Sorter: Storage cube (1) and an insert (1).

How to Specify:

Available in a variety of powder coat finish colors. Refer to the samples presented on Tayco metal finish card.
 Storage cube outer shell and insert are available in a variety of color combinations.

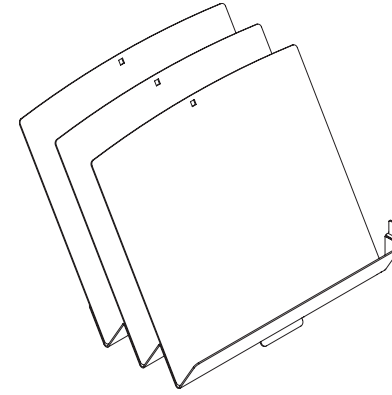
Notes:

Storage cube can hold multiple folders and papers.

Color combination Options:

Insert Color	OUTER SHELL COLOR							
	P121 white	P112 silver	P114 black	P200 sunrise	P201 tropic	P202 vineyard	P203 sky	P204 meadow
P121 white	✓	✓	✓	✓	✓	✓	✓	✓
P112 silver	✓	✓	✓	✓	✓	✓	✓	✓
P114 black	✓	✓	✓	✓	✓	✓	✓	✓
P200 sunrise	✓	✓	✓	✓				
P201 tropic	✓	✓	✓		✓			
P202 vineyard	✓	✓	✓			✓		
P203 sky	✓	✓	✓				✓	
P204 meadow	✓	✓	✓					✓

Code	Price	H (in.)	W (in.)	D 1 (in.)	Weight (lb)	Volume (ft ³)
storage cube (shelf)						
V-ACSF	379	12	12	12	8	1
storage cube (sorter)						
V-ACSR	306	12	12	12	8	1



What's Included:

Paper sorter base (1) and three paper sorter panels (3).

How to Specify:

Available in a variety of powder coat finish colors. Refer to the samples presented on Tayco metal finish card - accent finish.

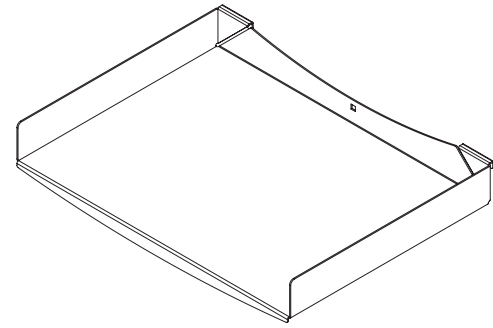
Options:

Color	P121 white P202 vineyard	P200 sunrise P203 sky	P201 tropic P204 meadow

Notes:

Paper sorter can hold multiple folders at an optimal angle

Code	Price	H (in.)	W (in.)	D 1 (in.)	Weight (lb)	Volume (ft ³)
F-AAS	181	2.5	11	10	4	3



What's Included:

Paper tray (1).

How to Specify:

Available in a variety of powder coat finish colors. Refer to the samples presented on Tayco metal finish card - accent finish.

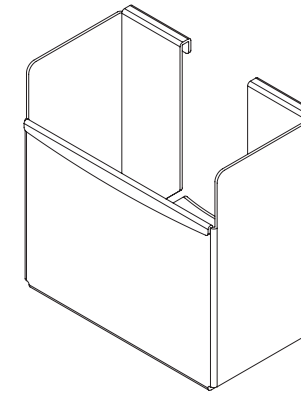
Notes:

Paper tray is available in letter and legal paper sizes.

Options:

Paper size	9 letter	13 legal	
Color	P121 white P202 vineyard	P200 sunrise P203 sky	P201 tropic P204 meadow

Code	Price	H (in.)	W (in.)	D 1 (in.)	Weight (lb)	Volume (ft ³)
letter						
F-AAP-9	90	3.2	12	9	2	0.12
legal						
F-AAP-13	102	3.2	15	9	3	0.16



What's Included:

Pen holder (1).

How to Specify:

Available in a variety of powder coat finish colors. Refer to the samples presented on Tayco metal finish card - accent finish.

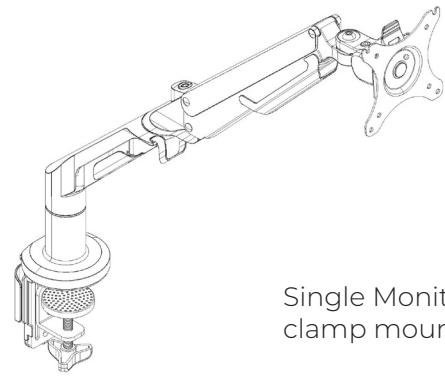
Notes:

Pen holder is 4" wide by 2" deep.

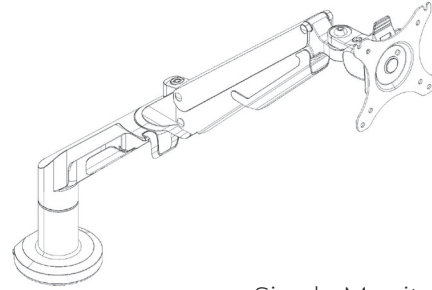
Options:

Color	P121 white P202 vineyard	P200 sunrise P203 sky	P201 tropic P204 meadow
-------	---	--	--

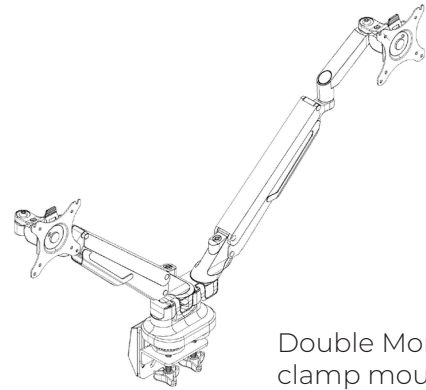
Code	Price	H (in.)	W (in.)	D 1 (in.)	Weight (lb)	Volume (ft ³)
F-AAH	82	4	4	2	1	0.02



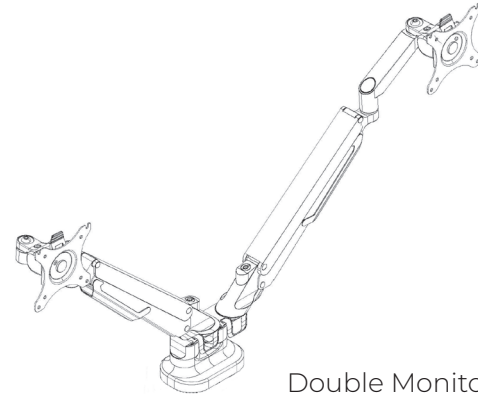
Single Monitor Arm - clamp mount



Single Monitor Arm - grommet mount



Double Monitor Arm - clamp mount



Double Monitor Arm - grommet mount

What's Included:

One monitor arm and installation hardware for both clamp and grommet mount

How to Specify:

- Specify type

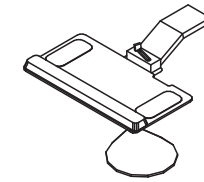
Dimensions:

Vesa: 75x75 and 100x100

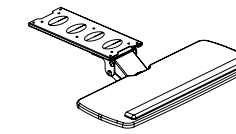
Code	Price
Monitor Arm - Single Mount	
V-AFMA-01	374
Monitor Arm - Double Mount	
V-AFMA-02	624

Notes:

- Available in silver only
- Single Monitor Arm
 - Screen Size - 17"-36"
 - Load Capacity - 6.6-26.4lbs/3-12kg
 - Tilt Range - -90 degrees - -15 degrees
- Dual Monitor Arm
 - Screen Size - 17"-32"
 - Load Capacity - 4.4-19.8lbs/2-9kg
 - Tilt Range - -90 degrees - -15 degrees



Articulating Keyboard Tray w/Mouse Tray



Articulating Keyboard Tray

What's Included:

Keyboard Tray, installation hardware.

How to Specify:

Specify laminate color for retractable keyboard. The vinyl trim color will default to match the laminate color unless otherwise specified. See the laminate finish card for details.

For articulating keyboard with mouse, right or left hand must be specified.

The articulating keyboards are available only in black.

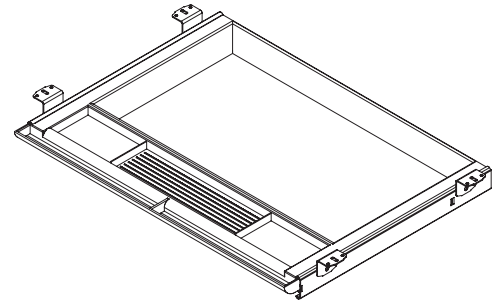
Notes:

Keyboard trays provide adjustable ergonomic support for individuals in multi-task environments

Options:

Hand: **R** right **L** left (for adjustable keyboard with mouse only)

Code	Price	H	W	D	Volume (ft ³)	Weight (lb)
Articulating Keyboard Tray w/Mouse Tray						
V-KAS0-2011-L	629	0	20	11	0	3
V-KAS0-2011-R	629	0	20	11	0	3
Articulating Keyboard Tray						
V-KASX-2510	403	0	25	10	0	15



What's Included:

Pencil Drawer (1) installation hardware and mounting slides.

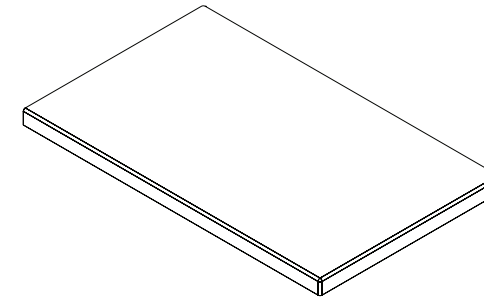
How to Specify:

This product is available only in black.

Notes:

Pencil drawers provide compartmentalized pencil and stationary storage below the worksurface.

Code	Price	H (in.)	W (in.)	Weight (lb)	Volume (ft ³)
V-ADPP	88	21	16	1.8	0.62



What's Included:

Credenza seat cushion (1).

How to Specify:

Specify the width of the seat cushion to be the same as the width of the credenza used for support if a full seat cushion to cover the entire top of a credenza is required

Specify the width of the seat cushion to be 18-inches if an off-modular smaller seat cushion is required to accommodate power access, top mounted storage, and worksurfaces supports.

Refer to the swatches presented on Tayco Seating fabric cards.

Options:

Width 18, 24, 30, 36, 42, 48, 54, 60, 66, 72

Notes:

Mounting brackets on the bottom of the seat fit into the channel rail on the top of credenza allowing the seat cushion to slide from side-to-side along the width of the credenza.

Code	Price	W (in.)
F-ACSC-18	264	18
F-ACSC-24	307	24
F-ACSC-30	350	30
F-ACSC-36	389	36
F-ACSC-42	440	42
F-ACSC-48	481	48
F-ACSC-54	528	54
F-ACSC-60	568	60
F-ACSC-66	618	66
F-ACSC-72	659	72