



Scene Pricebook

Oct 2023

Contents

caution	7
overview	8
the line-up	9
general instructions	15
workspace definition	16
screen definition	18
installation sequence	22
screen post to surface	24
screens to screen post	25
end reinforcement bars to open center gable	29
shared reinforcement bars to open center gable	30
no connector reinforcement bars to workspace	31
workspace to workspace flush plate	32
flag storage installation	34
single post support	35
low credenza to workspace fixed support	36
low credenza to wide workspace fixed support	37
workspace to high credenza installation	38
reinforcement beams to workspace	39
front inset spacer to high credenza installation	40
overhead storage - attachment to dry wall with wood studs	42
overhead storage - attachment to dry wall with wood studs	42
overhead storage - attachment to dry wall with wood studs	43
credenza mounted storage to high credenza installation	44
surface mounted screen	45
trough mounted modesty screen	46
wire management trough to surface	47
power pole installation	48
trough mounted communication box installation	50
trough mounted power box installation	51

pedestal	53
freestanding	54
mobile	56
lateral	59
2 drawer	60
3 drawer	62
4 drawer	64
credenza	67
open high	68
enclosed high	69
combo high	70
open low	72
enclosed low	73
combo low	74
cabinet	77
4 door laminate	78
4 door acrylic	79
2 door laminate	80
2 door acrylic	81
flag storage	83
open shelf	84
shared open shelf	86
left side flag storage	87
right side flag storage	88
credenza mount storage	91
single level - open shelf	92
single level - frosted sliding door	94
double level - open shelf	96
double level - open shelf/hinged door	97
double level - open shelf/frost door	98
double level - frost acrylic hinged door	100
double level - hinged door	102
wall mounted storage	105
open shelf	106
hinged door hutch	107
frost acrylic hinged door hutch	108

tower	111
closet	112
acrylic door closet	113
storage	114
acrylic door storage	116
combo storage - closet / cabinet	118
acrylic door cabinet /combo storage - closet	119
combo storage - closet / BBF / cabinet	120
acrylic door cabinet / BBF / combo storage - closet	121
combo storage - closet / FF / cabinet	122
combo storage - closet / FF / acrylic door cabinet	124
surface	127
type 1	128
arc worksurface w/ center grommet	128
arc worksurface w/ side grommet	130
straight worksurface w/ center grommet	132
straight worksurface w/ side grommet	134
straight worksurface without grommet	136
unitized desk w/ side grommet	138
D worksurface w/ side grommet	140
credenza mounted	142
D worksurface w/ side grommet	142
straight worksurface w/ side grommet	144
straight return w/ center grommet	146
flag storage	148
straight worksurface (single full side)	148
straight worksurface (single shared side)	150
straight worksurface (full / shared)	152
straight worksurface (shared / shared)	154
surface with power grommet	157
straight worksurface	158
credenza surface straight return	160
freestanding square table	164
freestanding round table	165

screens	167
privacy screen - end to end	168
solid	168
whiteboard	173
fabric	176
frost acrylic	180
privacy screen - end to share	184
solid	184
whiteboard	189
fabric	192
frost acrylic	196
privacy screen - share to share	200
solid	200
whiteboard	205
fabric	208
frost acrylic	212
screen components	217
accessories rail - end to end	218
accessories rail - end to share	220
accessories rail - share to share	221
post	222
support	225
spacer	226
end gable	228
flag storage gable	229
center gable	230
single support leg	231
low credenza support	232
mending plate	233
reinforcement bar	235
end to end	236
end to share	238
share to share	240
end to no connector	242

share to no connector	244
no connector	246
short beam	247
electrics	249
wire management trough	250
trough mounted power box	252
trough mounted data box	253
electrical splitter harness	254
electrical starter harness	255
connector harness (female to female)	256
connector harness (female to female) continued	258
connector harness (female to male)	259
power pole	260
power pole bracket	261
under worksurface mounted wire manager	262
task light	263
pop-up grommet	264
accessories	267
trough mounted modesty	268
surface mounted metal screen	270
accessory screen	271
storage cube	272
paper sorter	273
paper tray	274
pen holder	275
monitor arm	276
keyboard tray	277
pencil tray	278
credenza seat cushion	279

Load Bottom Drawer First

- Operate one drawer at a time
- Units may tip if loaded incorrectly
- Units should be attached to a wall or other furniture to reduce tipping hazard
- Always load the heaviest files in the bottom drawer

Heavy Load

- Some products must be anchored to wall to ensure stability & safety.
- It is the owner and installers responsibility to ensure that the wall type and construction is of sufficient strength to carry the loads of any wall mounted products and their contents.
- Failure of the wall and anchors to support all imposed loads may result in property damage and/or personal injury.
- Tayco can provide size and empty weight of its products only. As wall blocking is considered a building construction process, Tayco cannot provide recommendations in this respect and cannot be responsible for damage or injury that may occur as a result of improper installation and/or blocking.

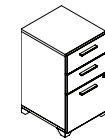
Instability Hazard

Mobile items on casters such as flip top, personal and movable tables of any type and storage items of any type may present an instability hazard if not secured correctly while in use or in storage. Flip top tables or training tables of any type, are inherently more unstable when folded. Tayco provides the following guidelines & warnings when using mobile products:

- Lock casters immediately after moving. Do not leave the casters unlocked when in use or in storage.
- Motion may increase the instability of any item with casters. If the wheels hit an obstruction the table's forward momentum often causes overturn, especially if the item is not equipped with wheel extensions. Exercise strong caution while moving these items.
- Use caution when abrupt level changes in the floor are present (such as a doorway or room threshold) as caster failure or tipping may result.
- Do not stand, sit or lean on mobile items for support. They are not intended for this use and personal injury or property damage may result.
- Mobile units that feature height adjustable elements must be lowered to the minimum compressed height when moving to prevent instability. It is also recommended the user remove all computer equipment or other accessories to prevent possible weight imbalance or damage to equipment.
- Failure to follow the guidelines above may result in property damage or personal injury.

the line-up	9
general instructions	15
workspace definition	16
screen definition	18
installation sequence	22
screen post to surface	24
screens to screen post	25
end reinforcement bars to open center gable	29
shared reinforcement bars to open center gable	30
no connector reinforcement bars to workspace	31
workspace to workspace flush plate	32
flag storage installation	34
single post support	35
low credenza to workspace fixed support	36
low credenza to wide workspace fixed support	37
workspace to high credenza installation	38
reinforcement beams to workspace	39
front inset spacer to high credenza installation	40
overhead storage - attachment to dry wall with wood studs	42
credenza mounted storage to high credenza installation	44
surface mounted screen	45
trough mounted modesty screen	46
wire management trough to surface	47
power pole installation	48
trough mounted communication box installation	50
trough mounted power box installation	51

pedestal



F-FPBF



F-FPFF

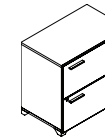


F-FPLO



F-FPLS (cushion)

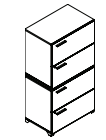
lateral



2H Lateral



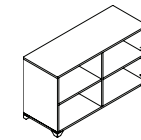
3H Lateral



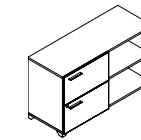
4H Lateral

credenza

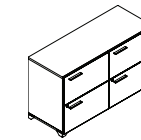
high credenza



open credenza

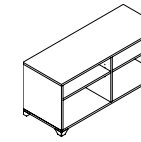


Combo credenza

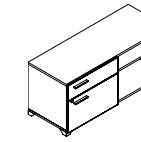


enclosed credenza

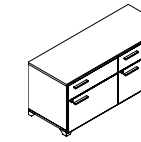
low credenza



open credenza



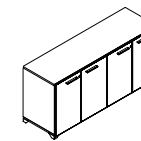
Combo credenza



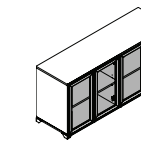
enclosed credenza

cabinet

4 door cabinet

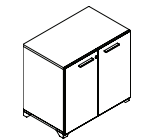


Laminate door

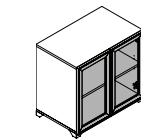


acrylic door

2 door cabinet

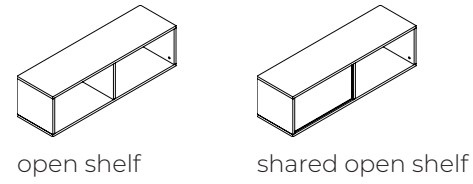


Laminate door



acrylic door

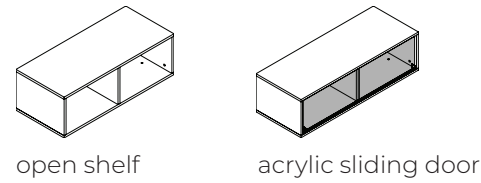
Flag storage



open shelf shared open shelf

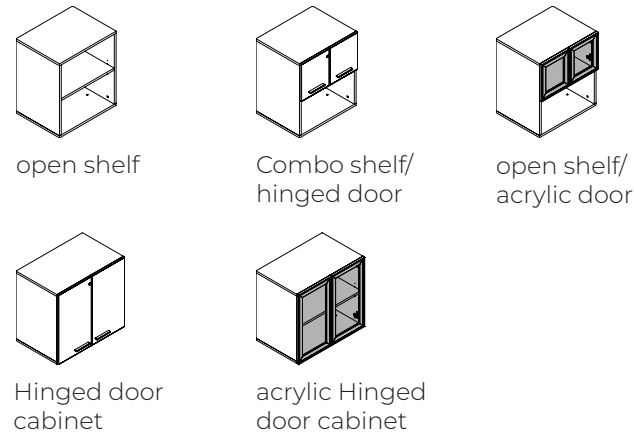
Credenza Mount storage

single level



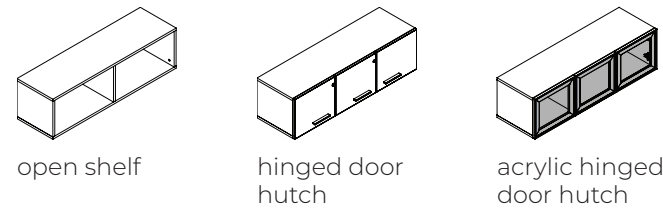
open shelf acrylic sliding door

double level



open shelf Combo shelf/hinged door open shelf/acrylic door Hinged door cabinet acrylic Hinged door cabinet

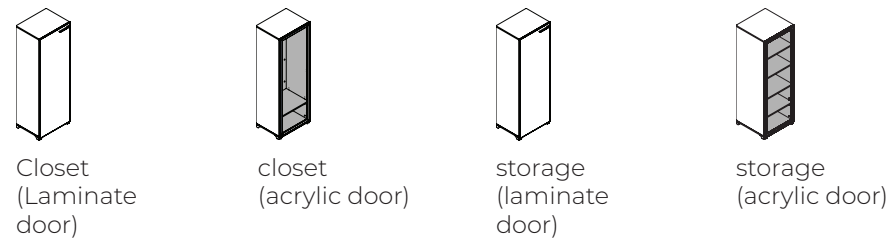
Wall mount storage



open shelf hinged door hutch acrylic hinged door hutch

Tower

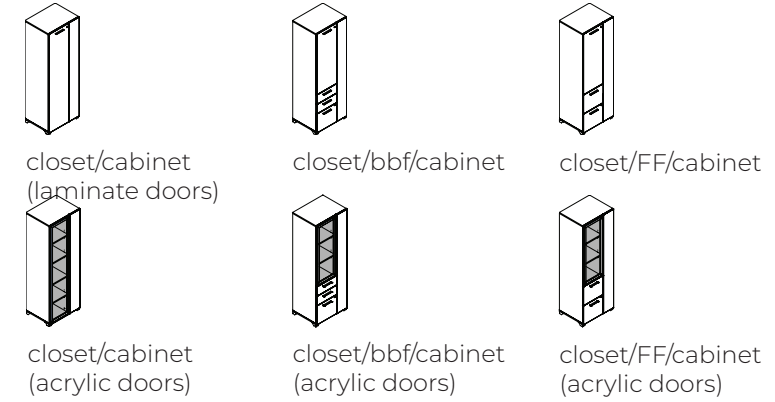
individual storage



Closet (Laminate door) closet (acrylic door) storage (laminated door) storage (acrylic door)

tower - cont'd

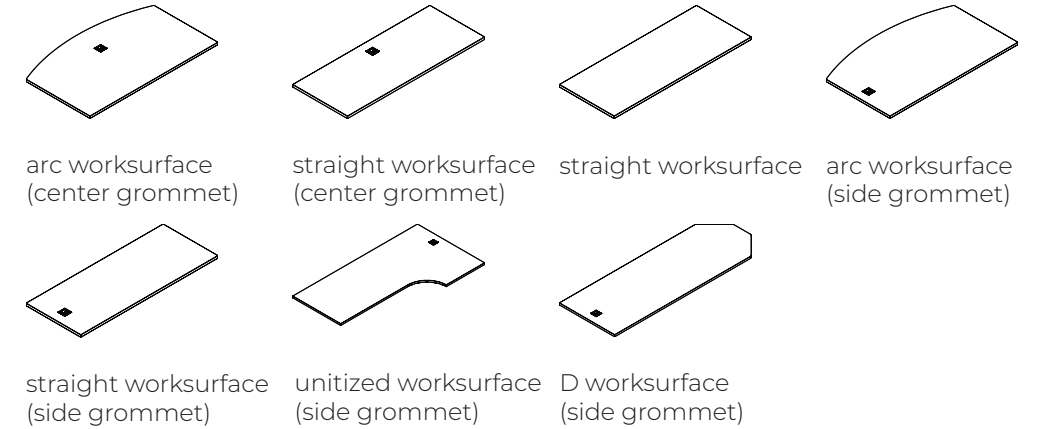
combo storage



closet/cabinet (laminated doors) closet/bbf/cabinet closet/FF/cabinet closet/cabinet (acrylic doors) closet/bbf/cabinet (acrylic doors) closet/FF/cabinet (acrylic doors)

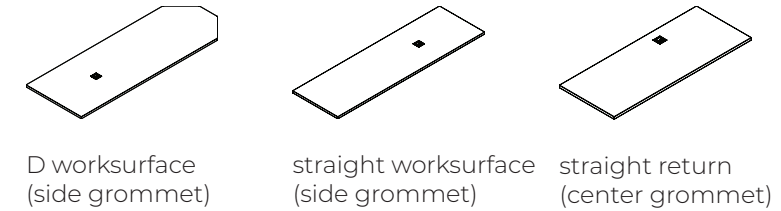
surface

surface type 1



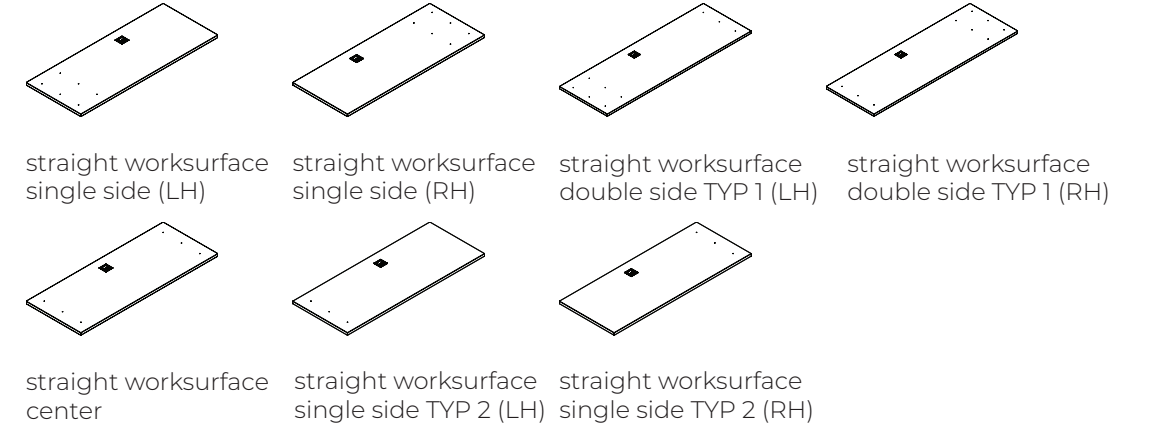
arc worksurface (center grommet) straight worksurface (center grommet) straight worksurface (side grommet) arc worksurface (side grommet) straight worksurface (side grommet) unitized worksurface (side grommet) D worksurface (side grommet)

credenza mounted



D worksurface (side grommet) straight worksurface (side grommet) straight return (center grommet)

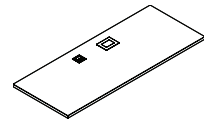
flag surface



straight worksurface single side (LH) straight worksurface single side (RH) straight worksurface double side TYP 1 (LH) straight worksurface double side TYP 1 (RH) straight worksurface center straight worksurface single side TYP 2 (LH) straight worksurface single side TYP 2 (RH)

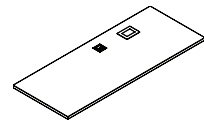
surface with power grommet

surface type 1



straight desk
(center grommet)

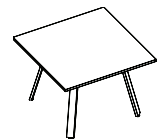
credenza mounted



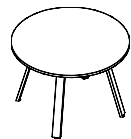
straight return
(center grommet w/ spacer)

table

freestanding table

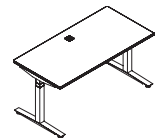


square table



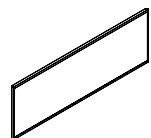
round table

height adjustable table

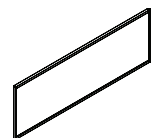


straight table

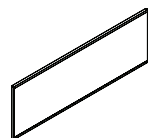
post mounted privacy screen



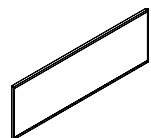
Solid screen



Acrylic screen

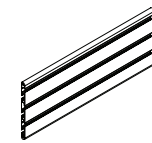


Felt fabric screen



whiteboard screen

screen components



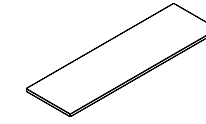
accessory rail



post

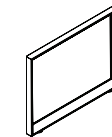
support

spacer support

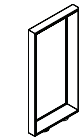


Spacer- front insert
(single sided)

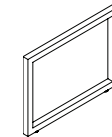
gable/leg support



end gable



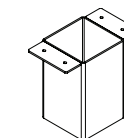
flag storage gable



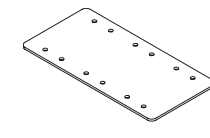
center gable



single support post

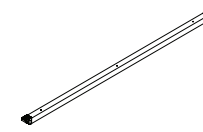


low credenza support

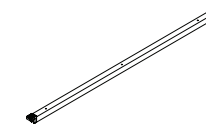


mending plate

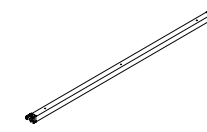
reinforcement bar



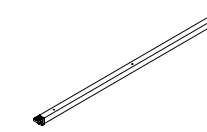
end to end



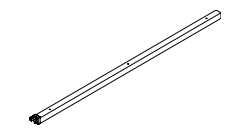
end to share



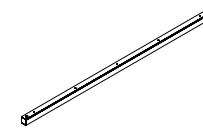
share to share



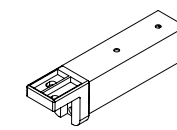
end / no connection



shared / no connection

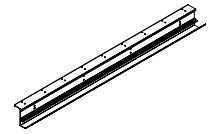


no connection

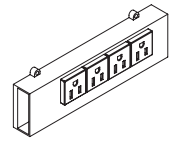


short beam

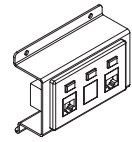
electrics



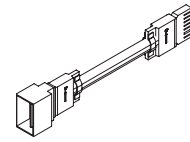
wire trough



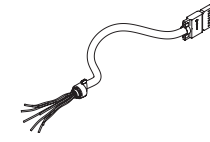
trough mounted receptacle



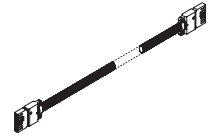
trough mounted data box



splitter



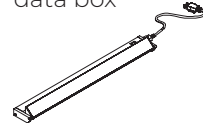
starter



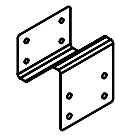
connector harness



power pole

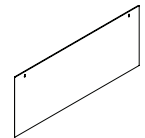


task light

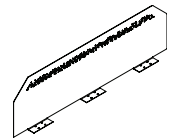


power pole bracket

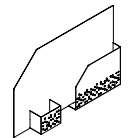
accessory



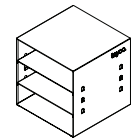
trough mount modesty



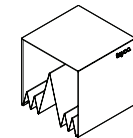
surface mount metal screen



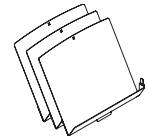
accessory screen



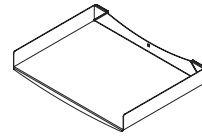
storage cube (shelf)



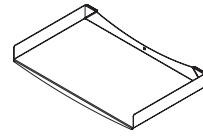
storage cube (sorter)



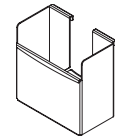
paper sorter



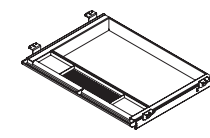
letter size tray



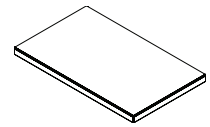
legal size tray



pen holder



Pencil drawer



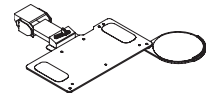
credenza cushion



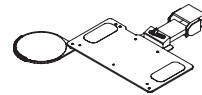
monitor arm single mount



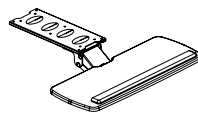
monitor arm double mount



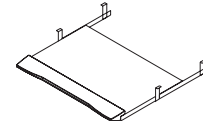
adj keyboard with rH mouse tray



adj keyboard with LH mouse tray



adj keyboard straight



retractable keyboard

general instructions

installation checklist

Perform a site inspection prior to the installation date to check existing site conditions and identify constraints and limitations that could possibly cause delays or problems during the actual installation.

Site Accessibility

1. Verify existing loading facilities and proximity of loading dock to staging area.
2. Verify if receiving area is accessible by trailer.
3. Verify access to service elevators.
4. Reserve service elevators in advance, if necessary.

Site Preparation

1. Clear all obstacles that could interfere with the installation process.
2. When doing a reconfiguration, ensure that all furniture to be re-used is clear of computers, accessories, books, papers and all personal effects.
3. Ensure that all live wires and data/communications wires are disconnected prior to installation.

Furniture Plans

1. Labeled furniture plans for installation purposes are located in the hardware box. Ensure that drawings are complete and handy before beginning installation.

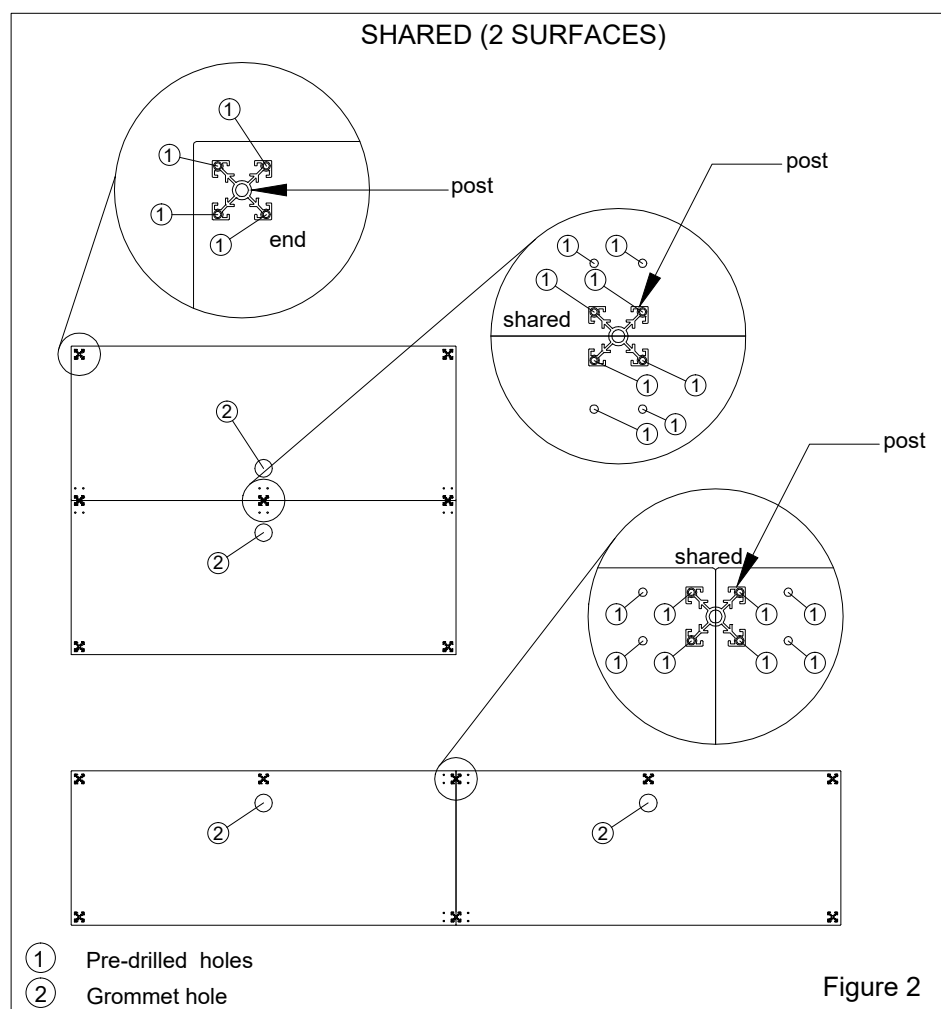
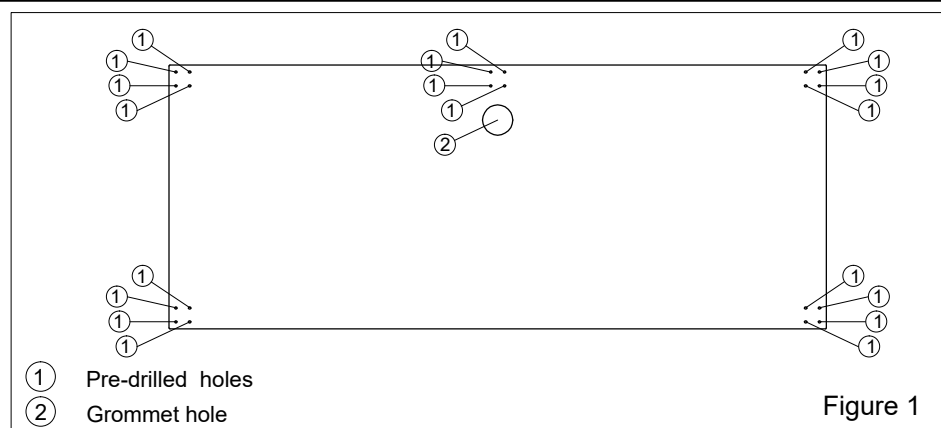
Waste Management

1. Establish a trash removal area separate from the product staging area.

workspace definition

workspace definition

1. Pre-drilled locations, Figure 1.
2. Figure 2 shows how to position the post on two shared surfaces.

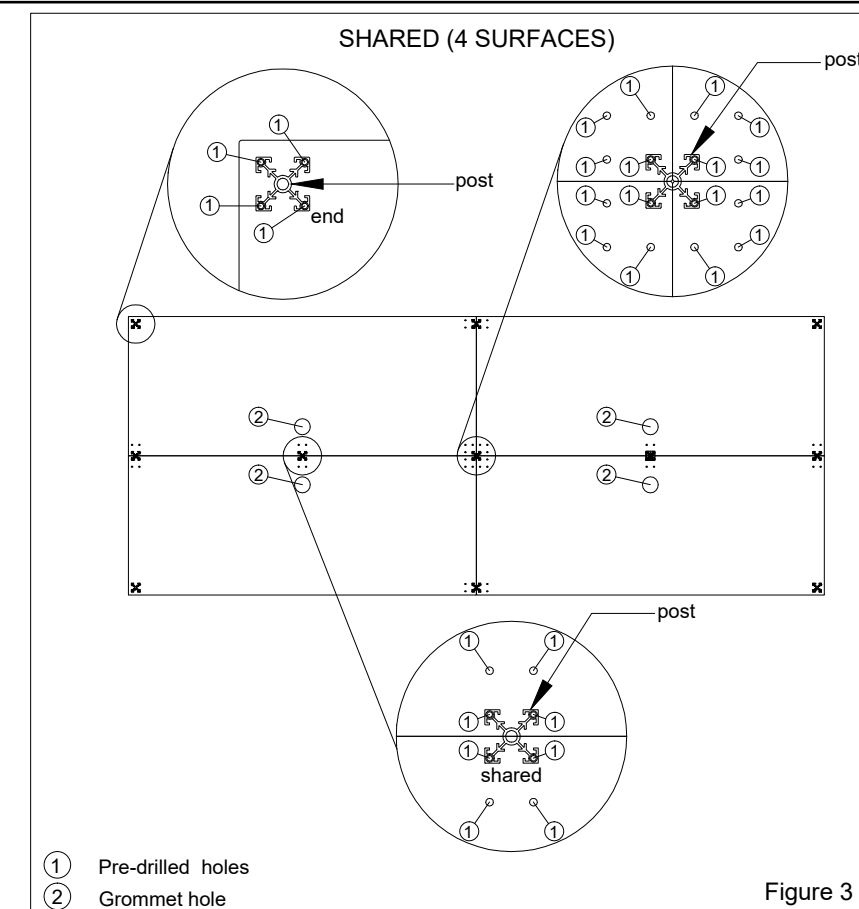


IMPORTANT NOTES:

- Do not drill all the pre-drilled holes, drill only where required as per furniture layout configuration.
- Check the layout for post positioning.

workspace definition (cont'd)

3. Figure 3 shows how to position the posts on 4 shared surfaces.



IMPORTANT NOTES:

- Do not drill all the pre-drilled holes, drill only where required as per furniture layout configuration.
- Check the layout for post positioning.

screen definition

screen definition

END TO END, Figure 1

- 1. Post
- 2. Privacy Screens
- 3. Worksurface

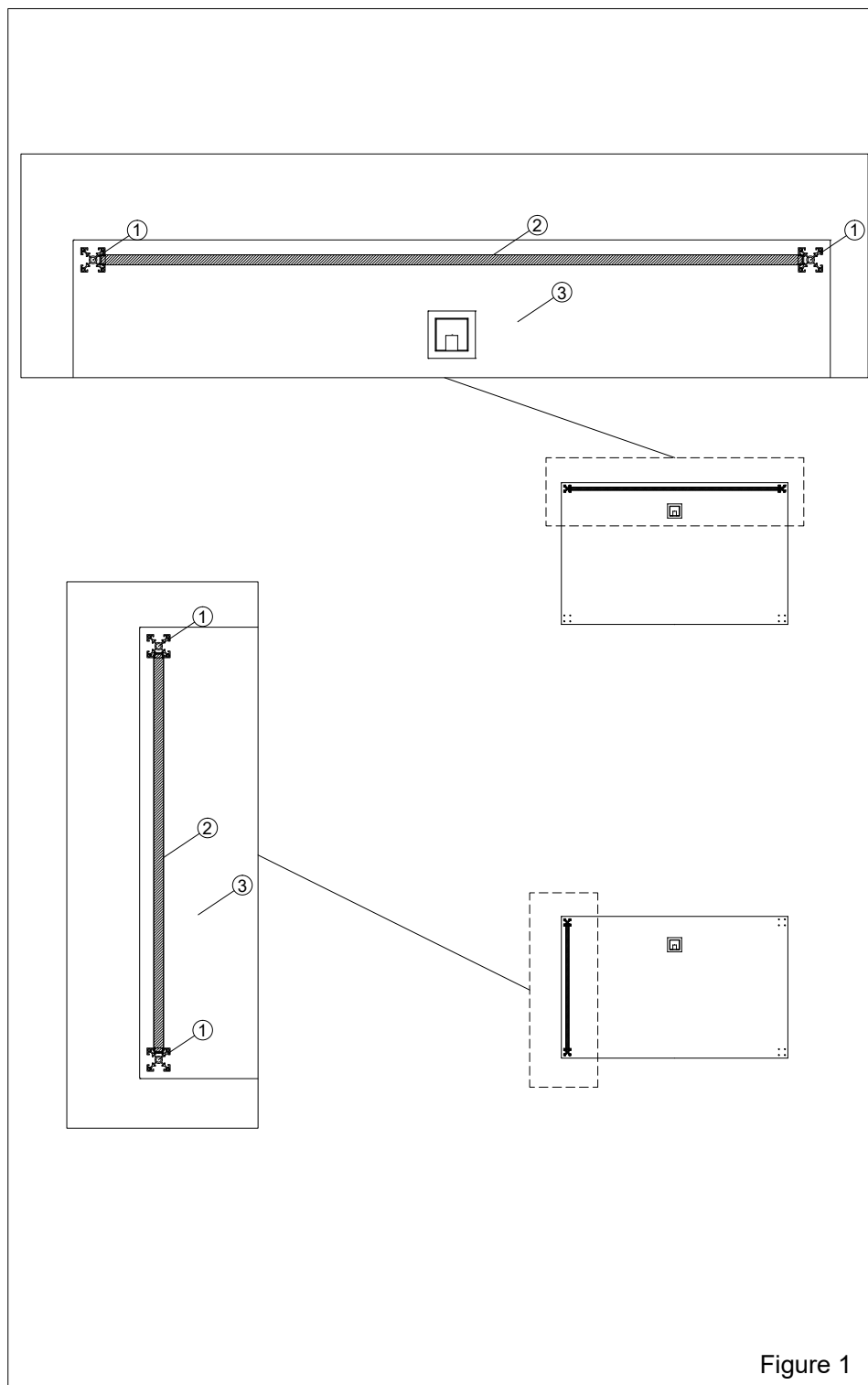


Figure 1

screen definition (cont'd)

END TO SHARED, Figure 2

- 1. Post
- 2. Privacy Screens
- 3. Worksurface

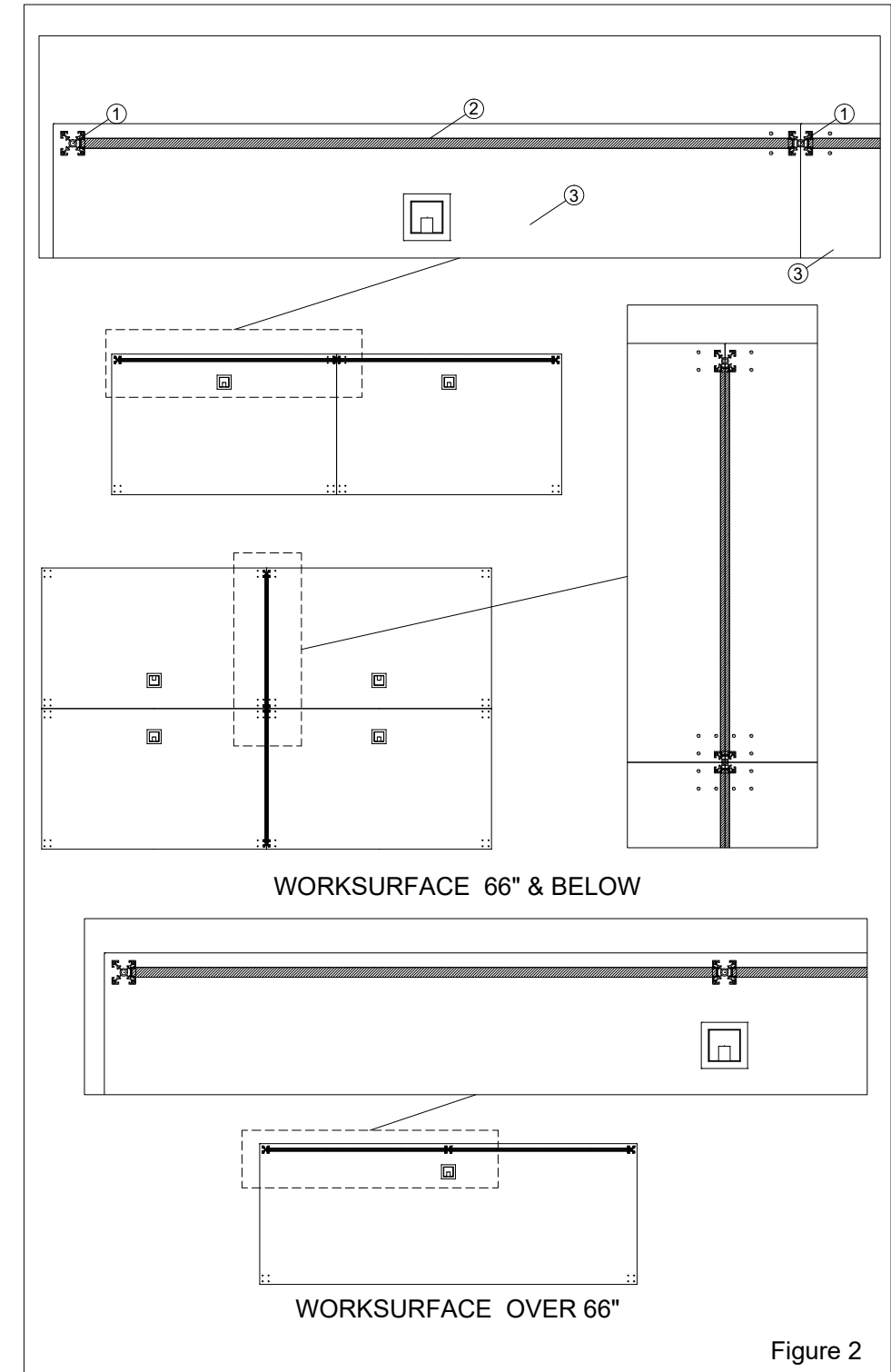


Figure 2

screen definition (cont'd)

GLAZED SCREEN

1. Screen extrusion
2. Acrylic glazing
3. Screen gasket
4. Post cap
5. Post

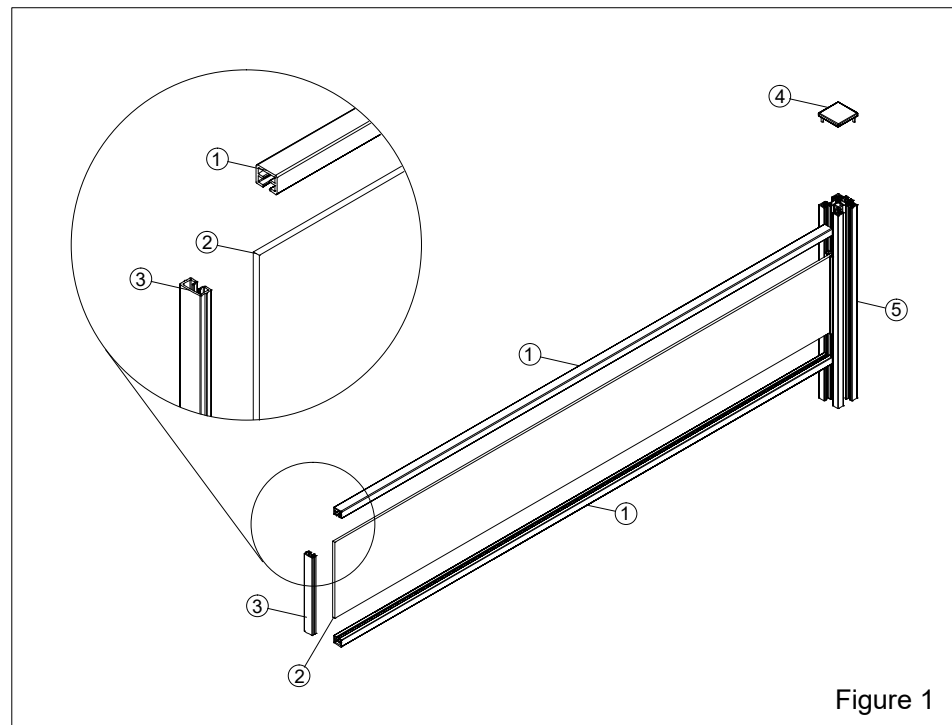


Figure 1

TACKBOARD/FELT/WHITEBOARD/ MELAMINE SCREEN

1. Screen extrusion
2. Tackboard/Felt/Whiteboard/
Melamine screen
3. Screen gasket
4. Post cap
5. Post

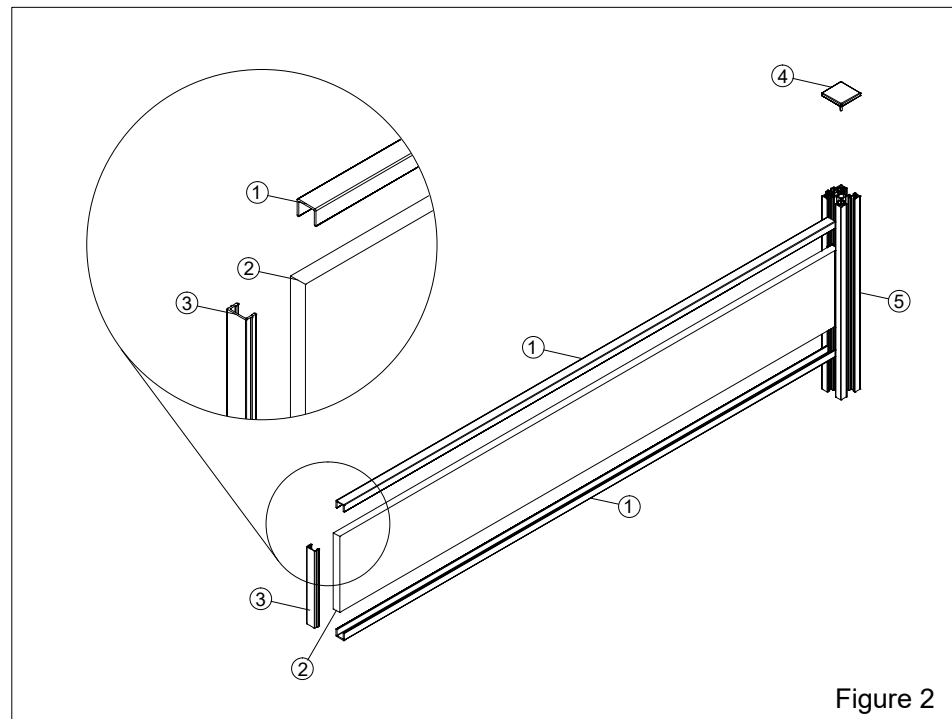


Figure 2

screen definition

ACCESSORY SCREEN

1. Accessory screen
2. Post
3. Post cap

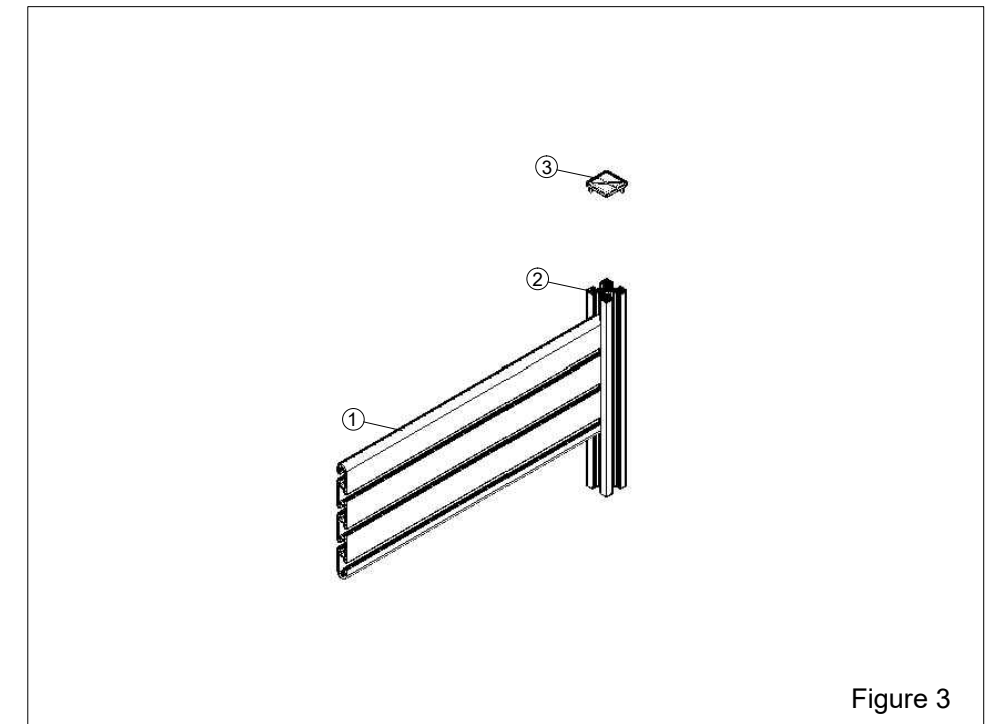


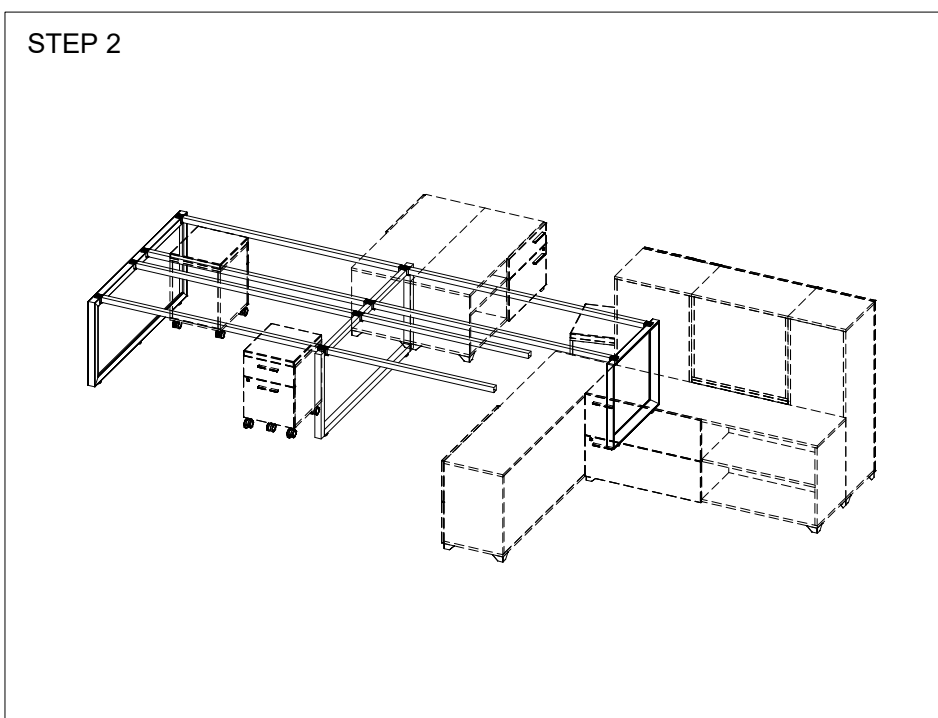
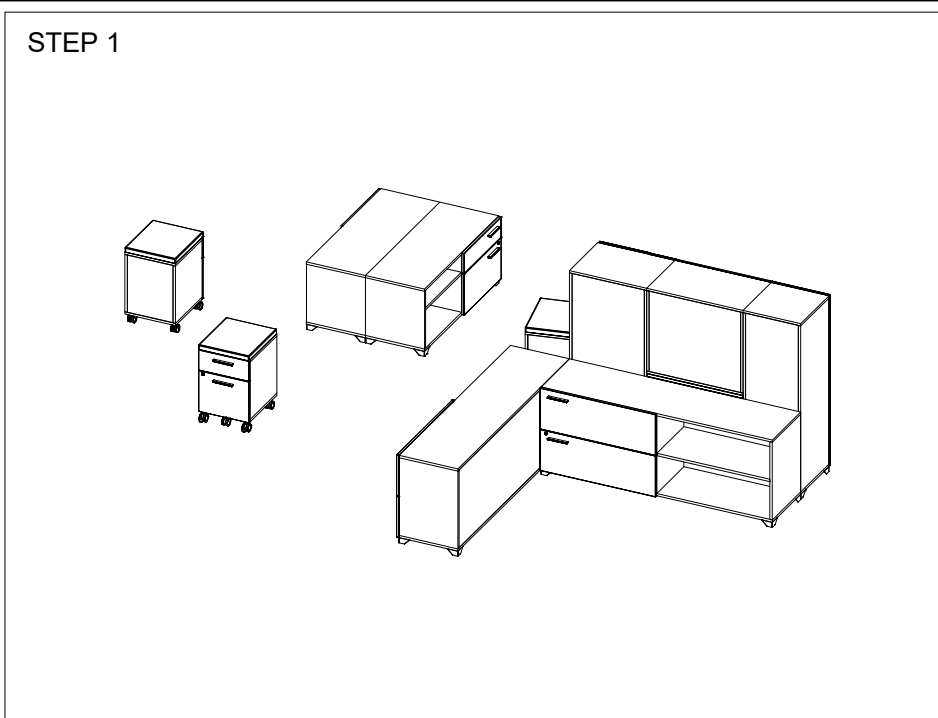
Figure 3

installation sequence

installation sequence

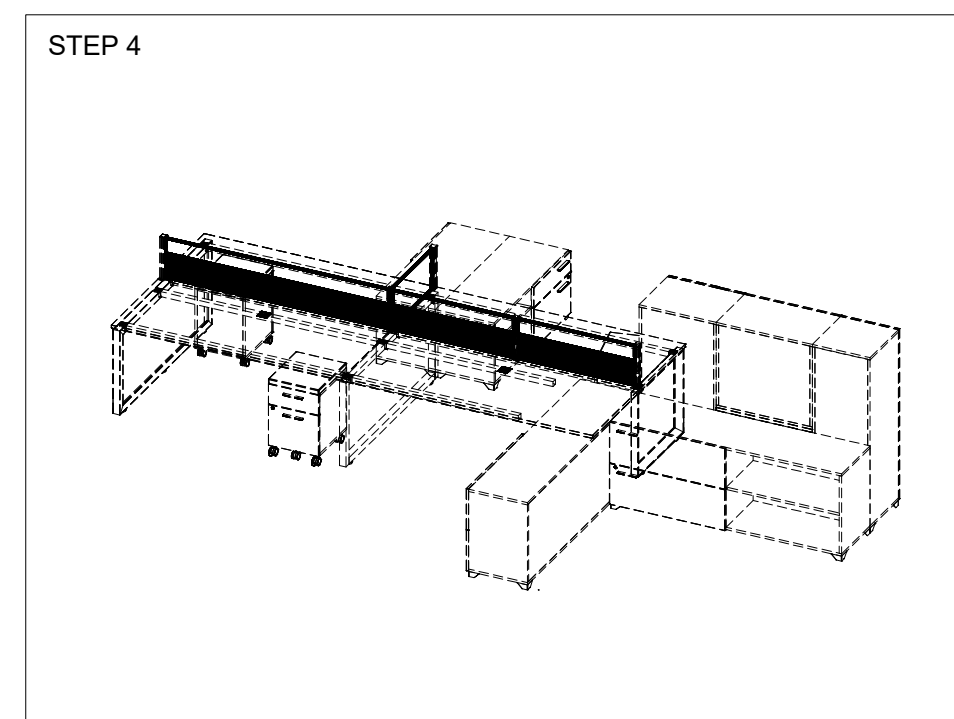
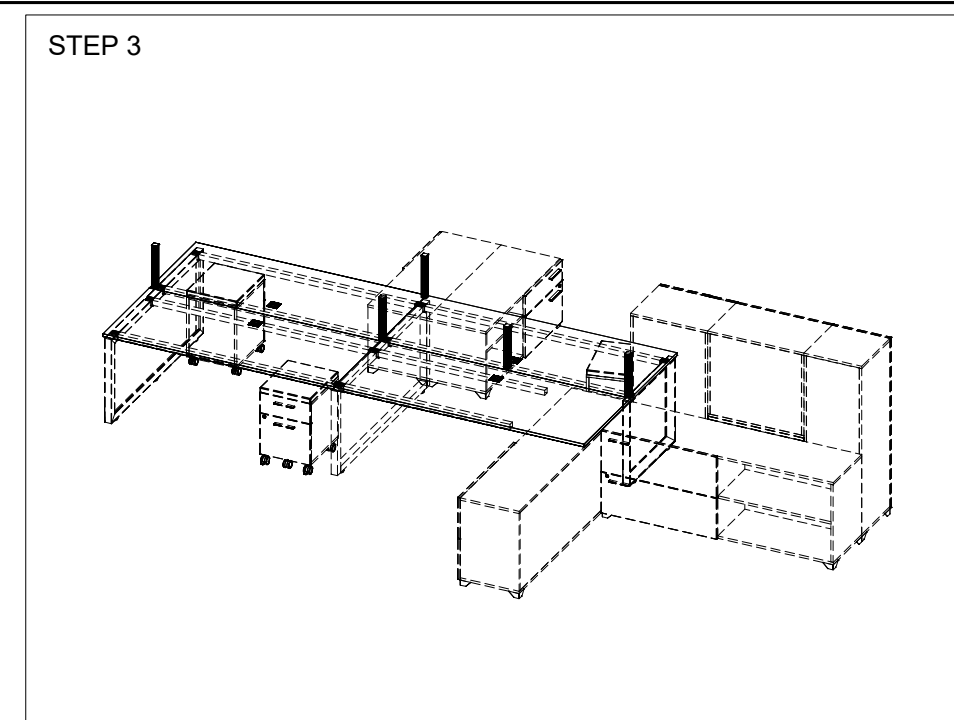
The following application guidelines provide detailed instructions for planning with the Elevation product line.

1. Position all the storages (Towers, cabinets, lateral files and cabinets).
2. Assemble all worksurface supports (gables and reinforcement bars).



installation sequence (cont'd)

3. Install the posts to the surfaces. Position all worksurfaces. Mount them to the worksurface supports or credenza.
4. Install the screens.



screen post to surface

screen post to surface

1. To install the screen post, place worksurface face down on a solid surface or floor. Place a wooden block underneath the pre-drilled holes and level the worksurface. Drill through the pre-drilled holes with a 5 mm V-point drill bit, (Figure 1).
2. Flip the worksurface and place it on top of the assembled worksurface supports or elevated surfaces with the topside facing up. Place screen post in position shown in (Figure 2). Use four screws (4) to attach the screen post to the surface.

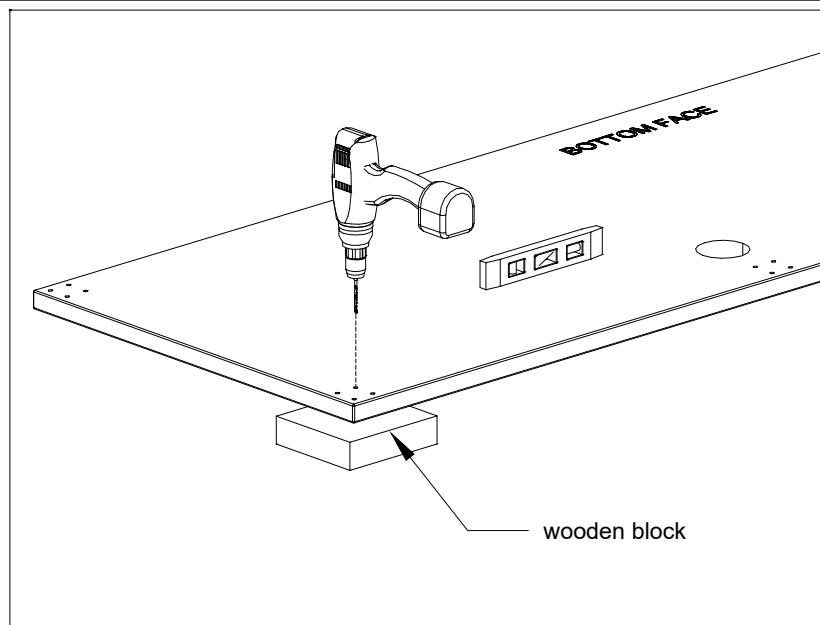


FIGURE 1

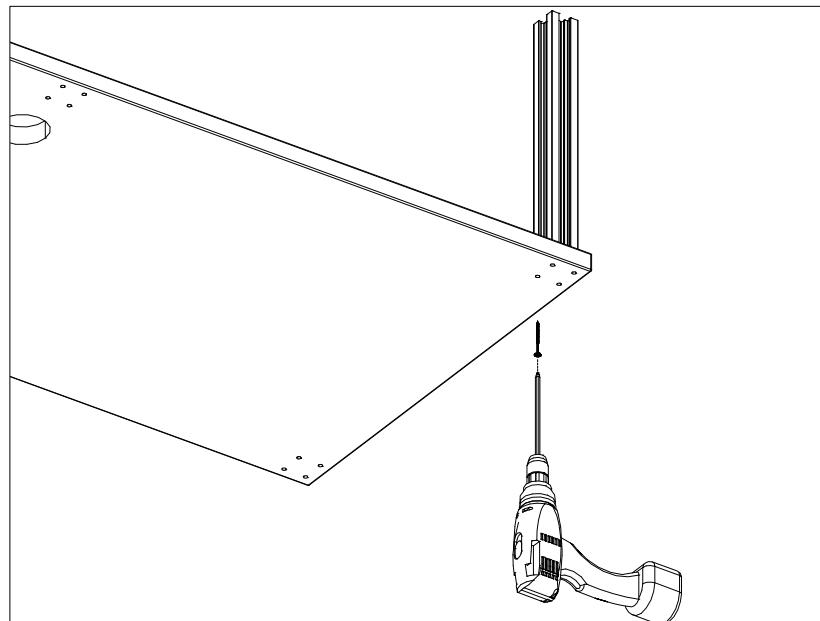
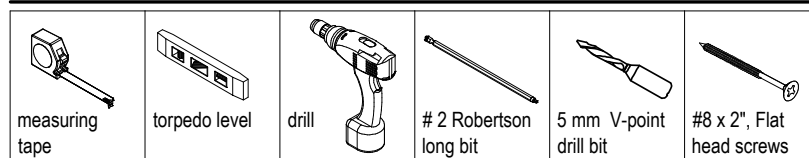


FIGURE 2

IMPORTANT NOTES:

- Do not drill all the pre-drilled holes, drill only where required as per furniture layout configuration.
- Check the layout for post positioning.

tools & hardware needed



screens to screen post

1. Make sure the posts are not tightly secured to the worksurface, (Figure 1).
2. Slide the bottom screen extrusion down the screen post, (Figure 2). For felt screen installation, see "felt screen to screen post".

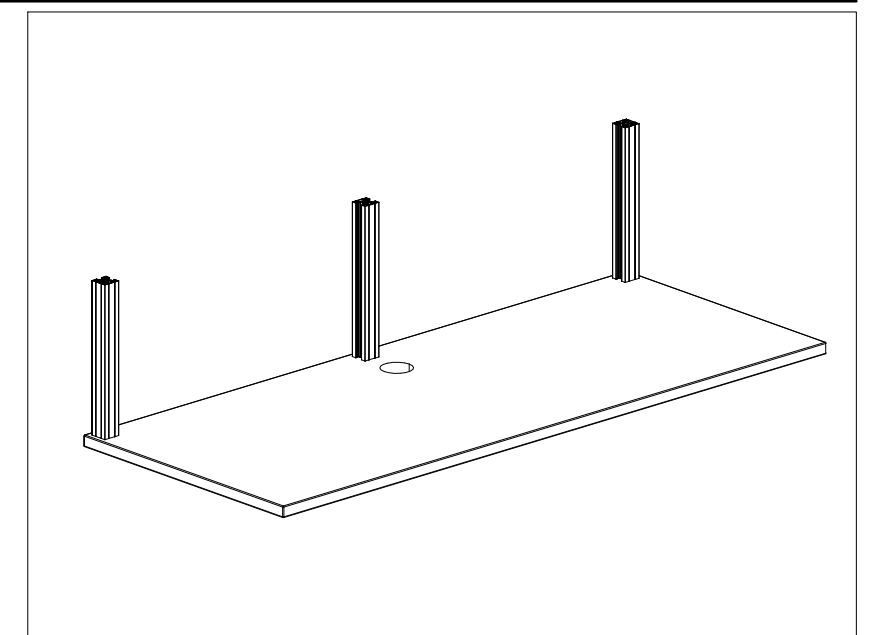


FIGURE 1

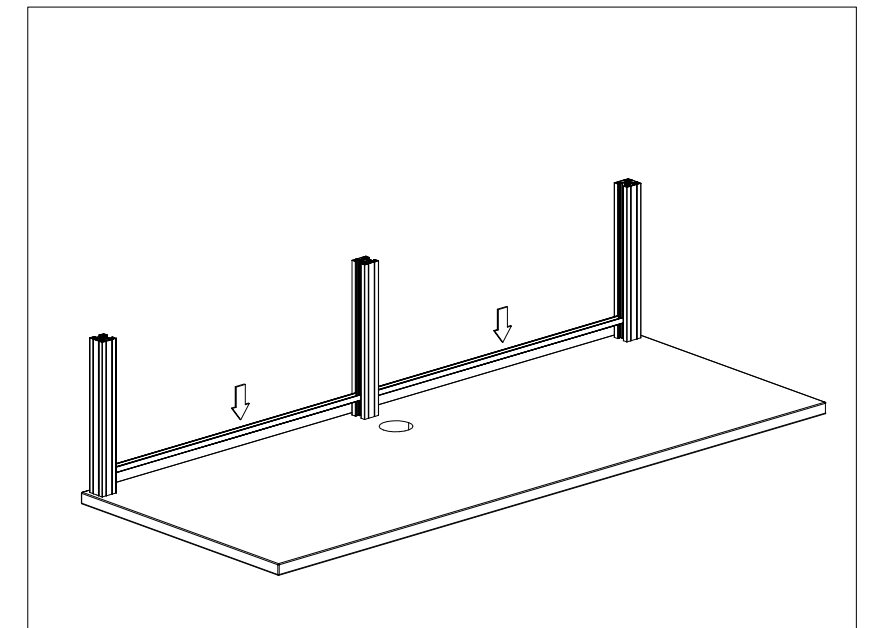
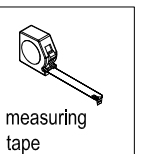


FIGURE 2

tools & hardware needed



screens to screen post (cont'd)

3. Insert the appropriate screen gasket into the screen post grooves, (Figure 3). Slide the gasket down the screen post until it bottoms out.
4. Slide the screen into the gaskets within the posts, (Figure 4).

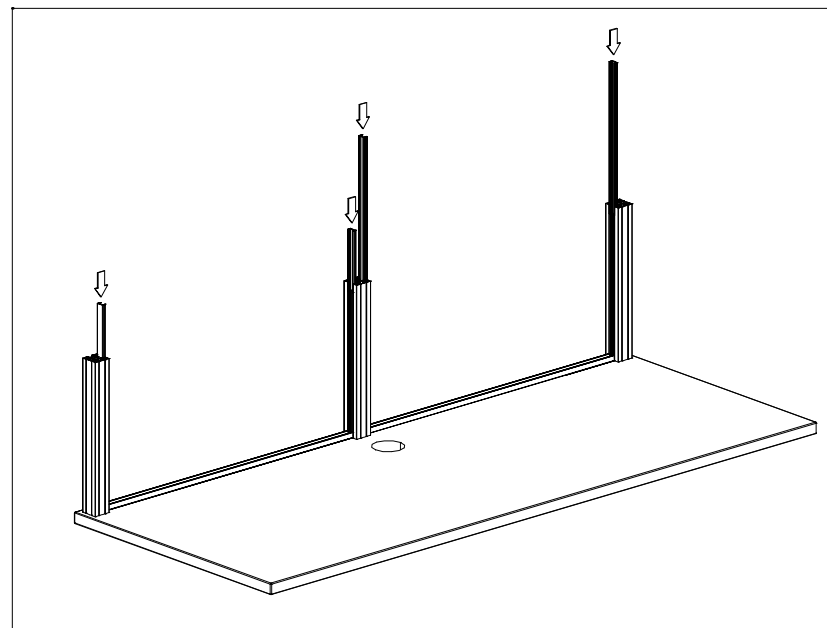


FIGURE 3

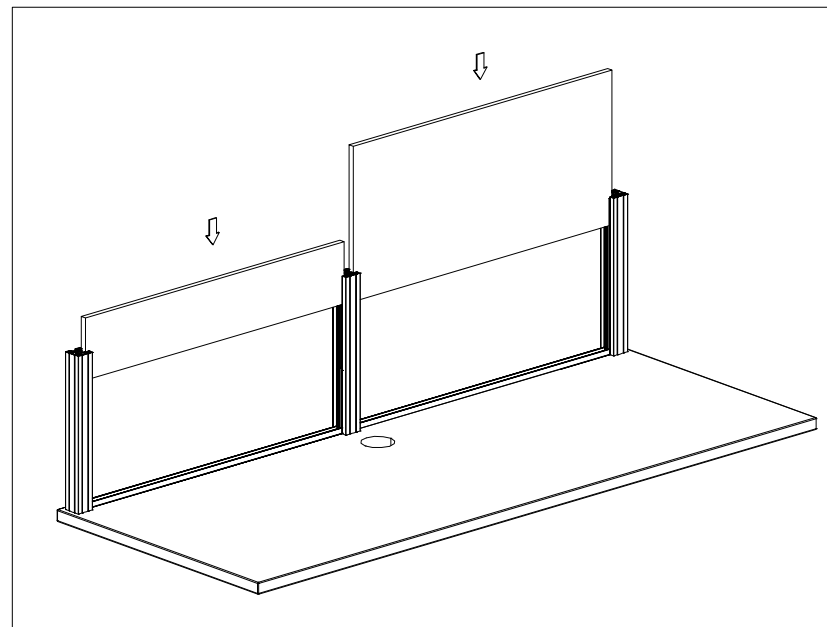
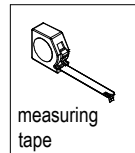


FIGURE 4

tools & hardware needed



screens to screen post (cont'd)

5. Place the top screen extrusion on top of the screen.
6. Repeat steps 3 to 5 until all screens are in position except accessory screen shown in (Figure 5).

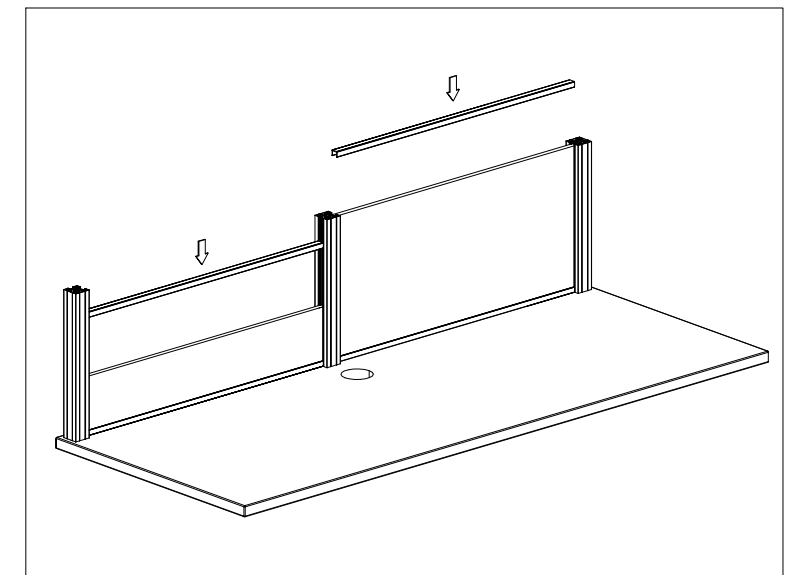


FIGURE 5

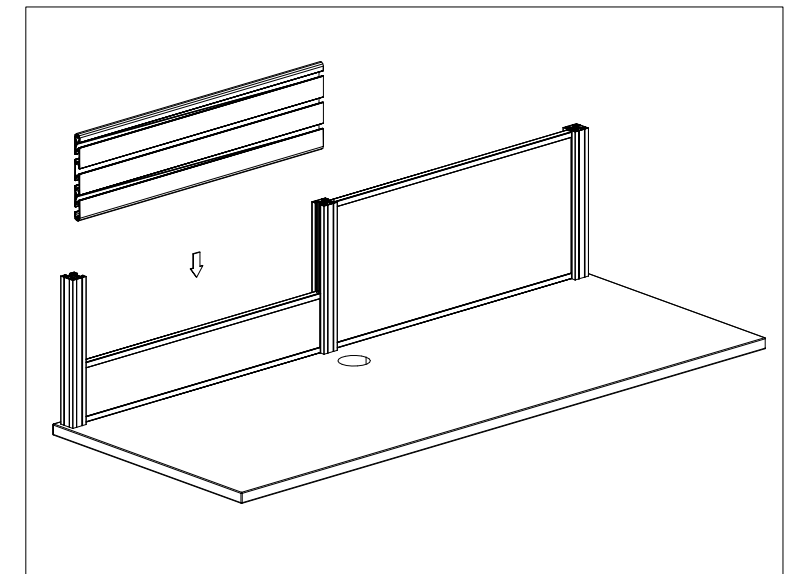
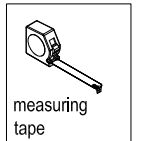


FIGURE 6

tools & hardware needed



scene 18

SEPTEMBER 2015

screens to screen post (cont'd)

- Place the post top cap shown in (Figure 7).

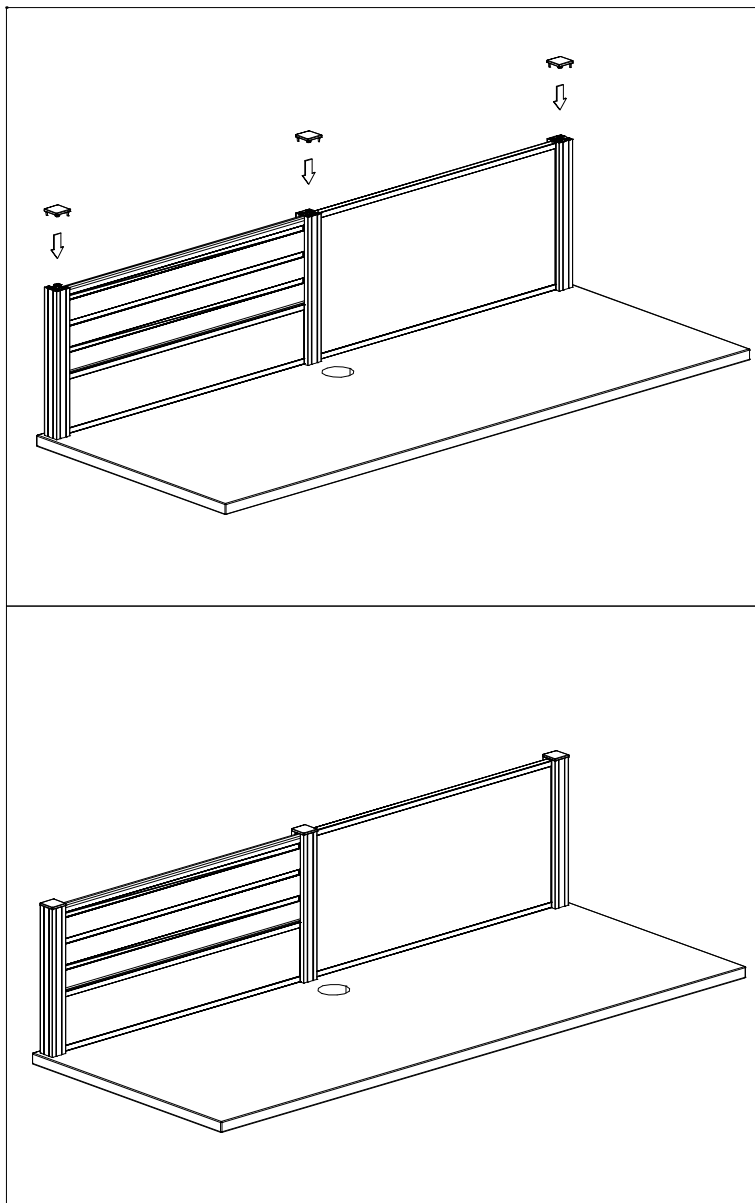
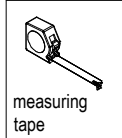


FIGURE 7

tools & hardware needed



end reinforcement bars to open center gable

- Slide the bottom extrusion sideways, (Figure 1).
- Slide the appropriate screen gasket down the felt screen, (Figure 2).

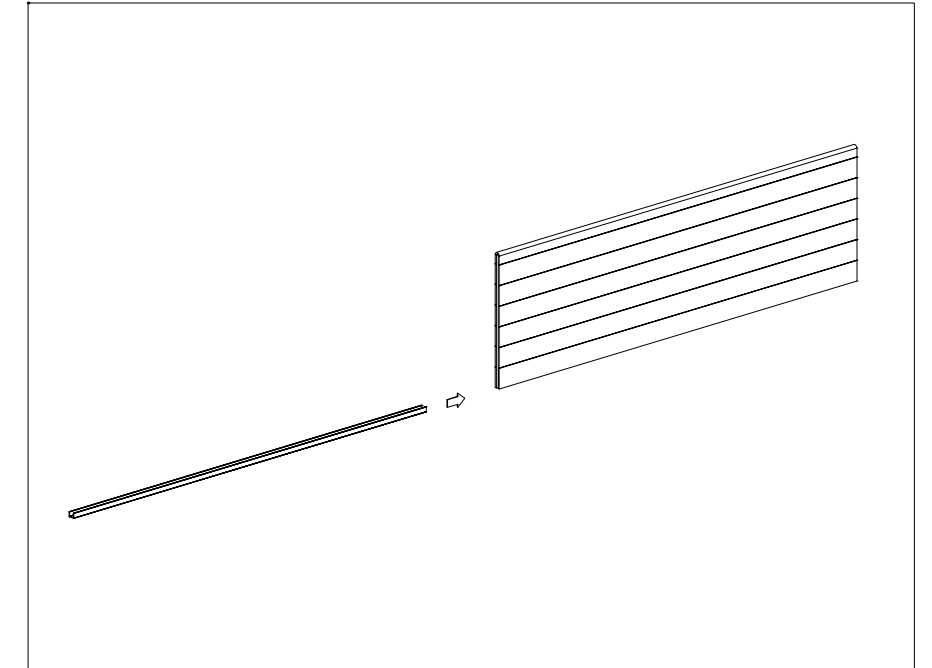


FIGURE 1

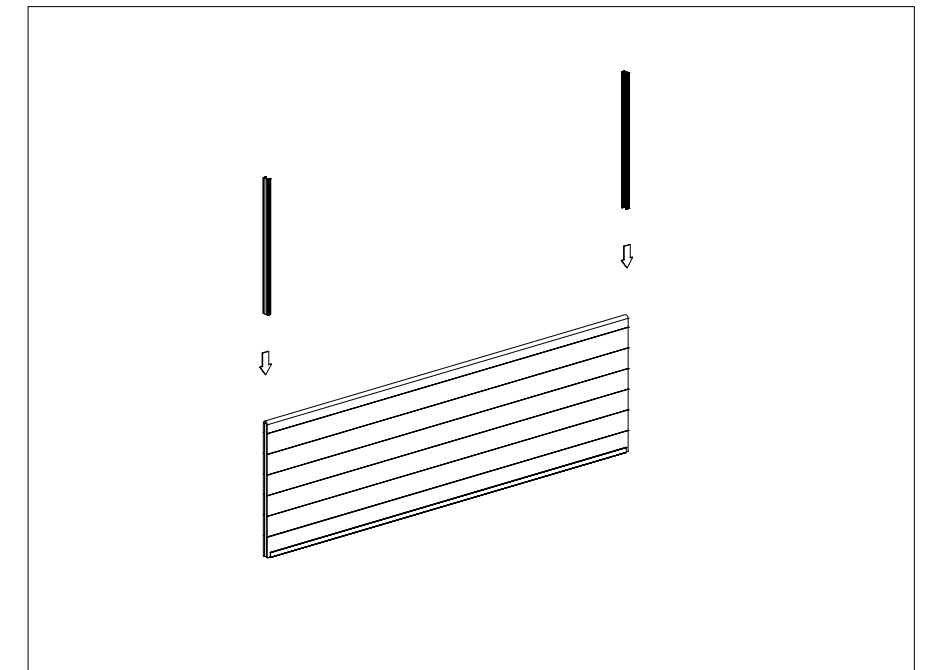
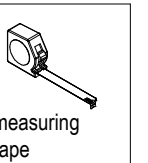


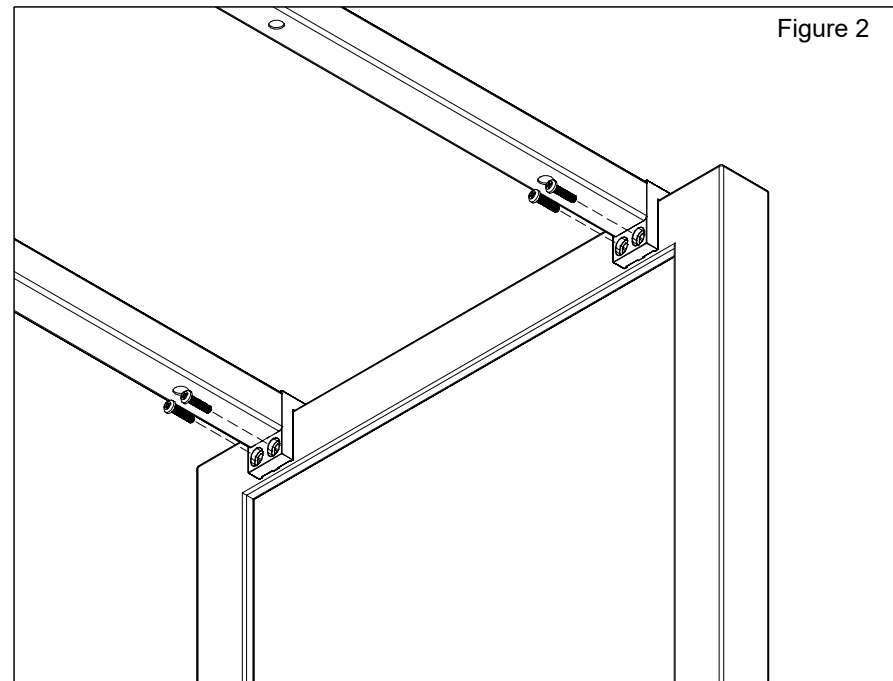
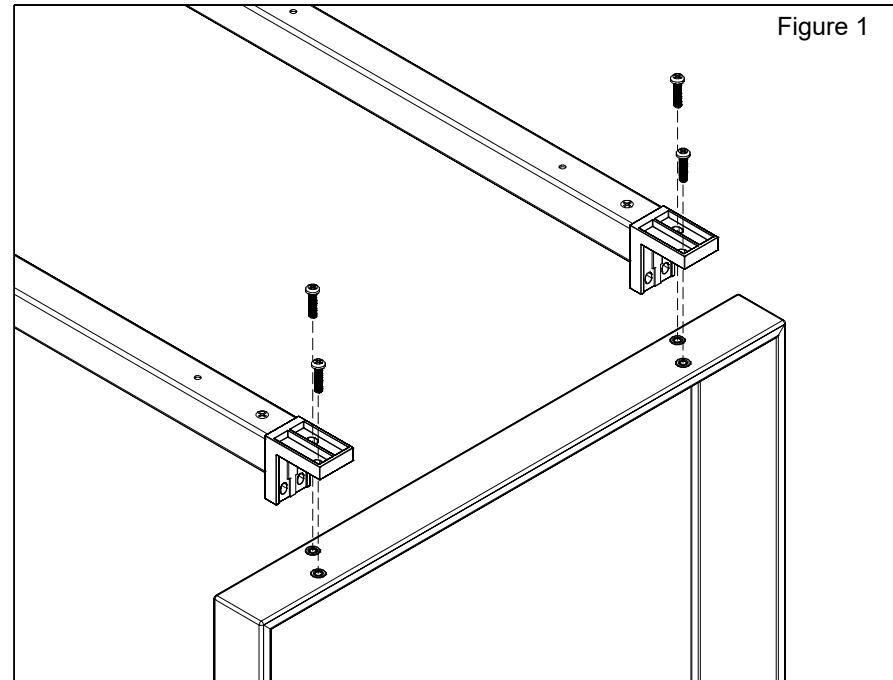
FIGURE 2

tools & hardware needed

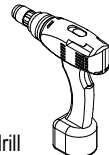




shared reinforcement bars to open center gable

1. Ensure that the connector at the ends of the reinforcement beam is firmly attached; tighten the screws as necessary.
2. Attach the end connector to the end gable with 1/4 #20 1-inch quadrex pan head screws above, (Figure 1) and at the bottom, (Figure 2).
3. Proceed to attach the other end of the reinforcement bar to the required gable.

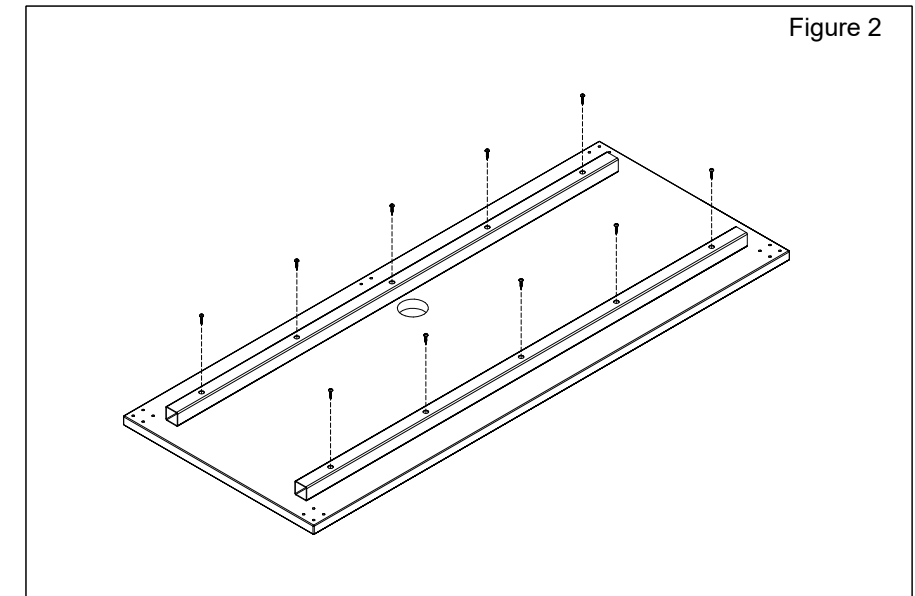
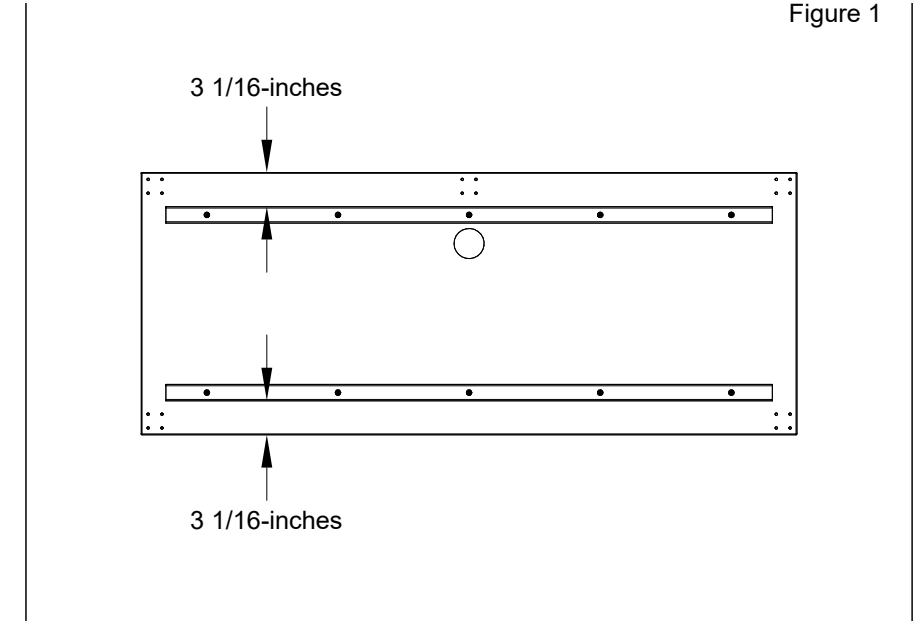


tools & hardware needed


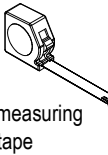
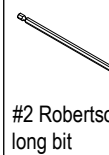
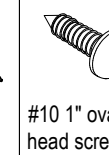
 drill	 #2 robertson long bit	 1/4 #20; 1" quadrex pan head screw
---	--	---

no connector reinforcement bars to worksurface

1. Position the no connector reinforcement bars 3-1/16 inches from the edge of the worksurface, (Figure 1).
2. Attach the no connector reinforcement bars to the worksurface with #10; 1-inch oval head screws (Figure 2).

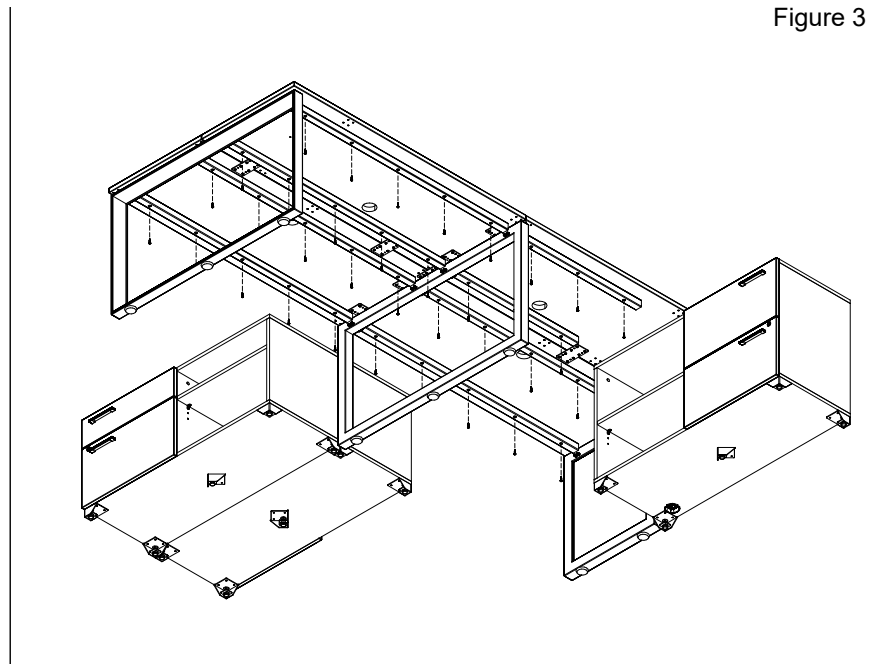


tools & hardware needed

 drill	 measuring tape	 #2 Robertson long bit	 #10 1" oval head screw
--	---	--	---

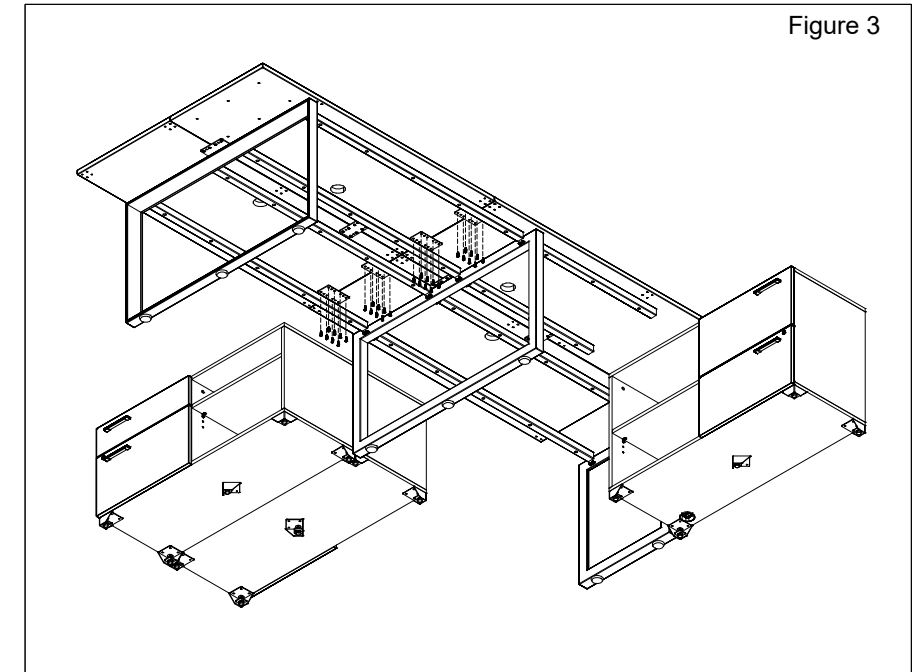
worksurface to worksurface flush plate

1. With the worksurface assembled; secure the worksurface to the reinforcement beams with #10; 1-inch oval head screws, (Figure 1).

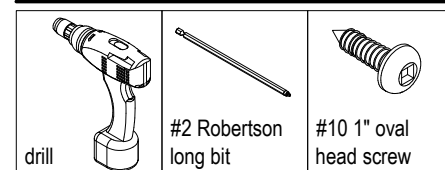


3. Move the worksurface to one side and secure the remaining worksurfaces with flush plates and #10; 1-inch oval head screws, (Figure 3).

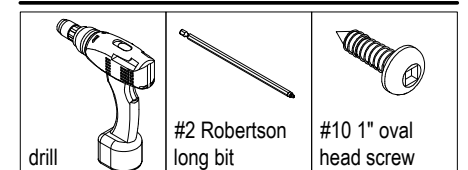
worksurface to worksurface flush plate (cont.)



tools & hardware needed

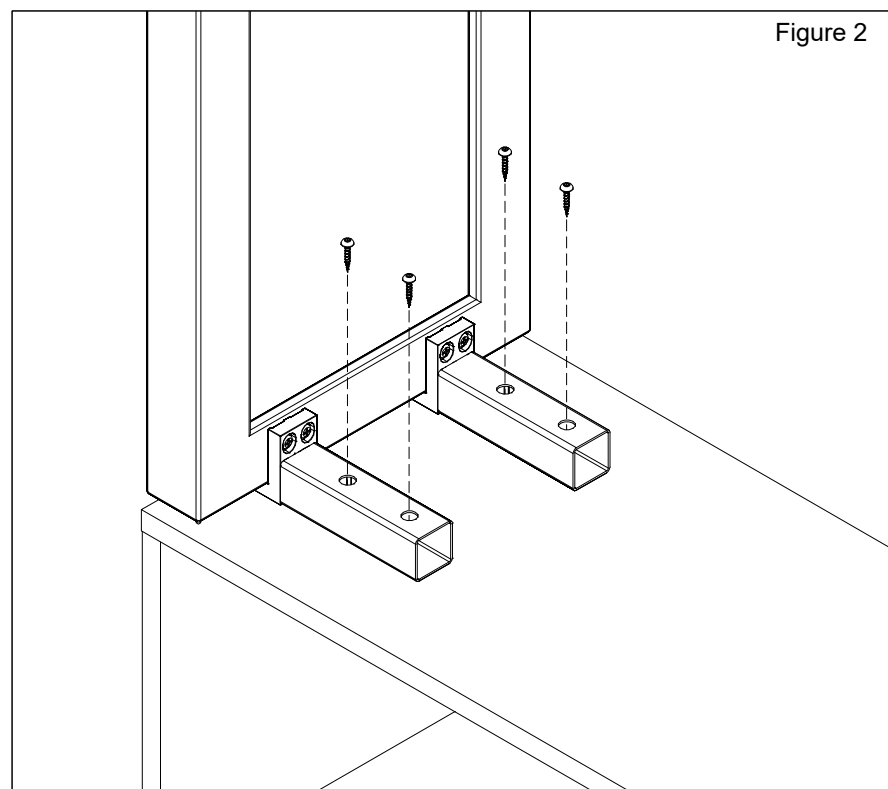
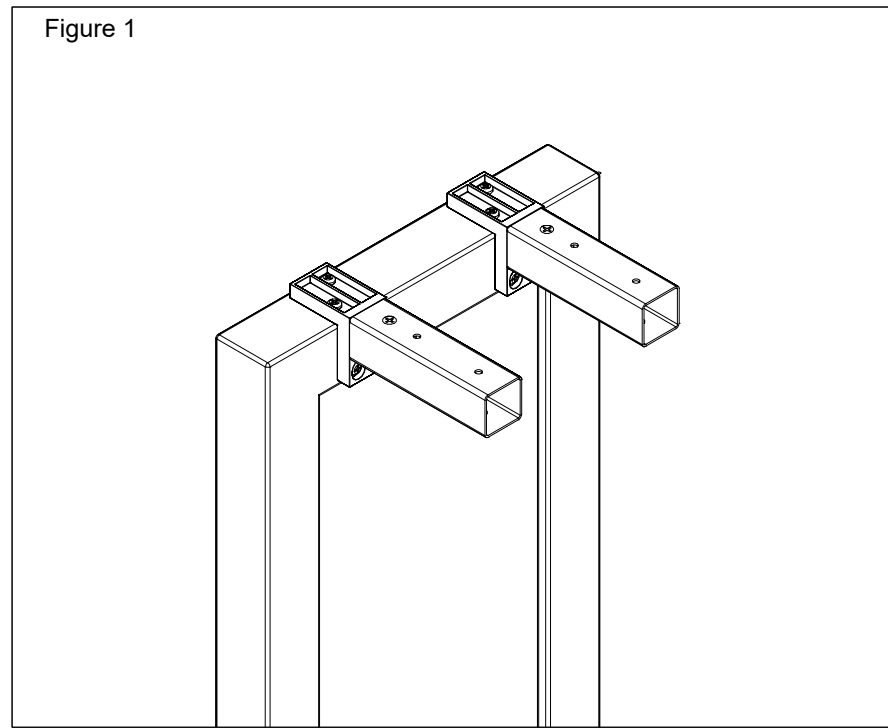


tools & hardware needed



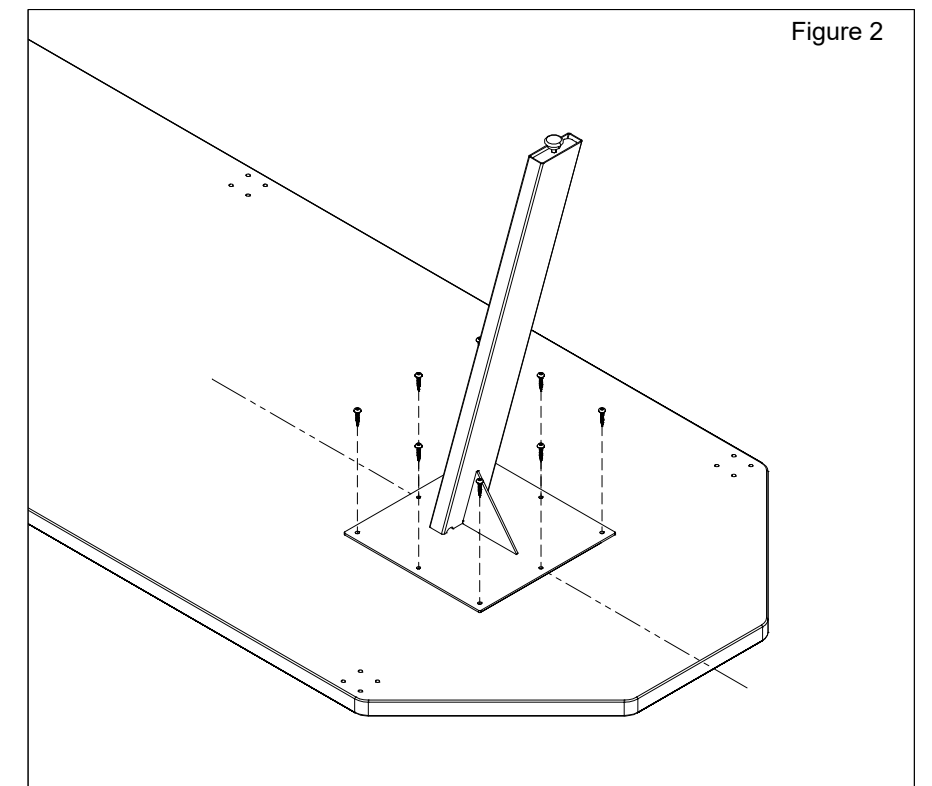
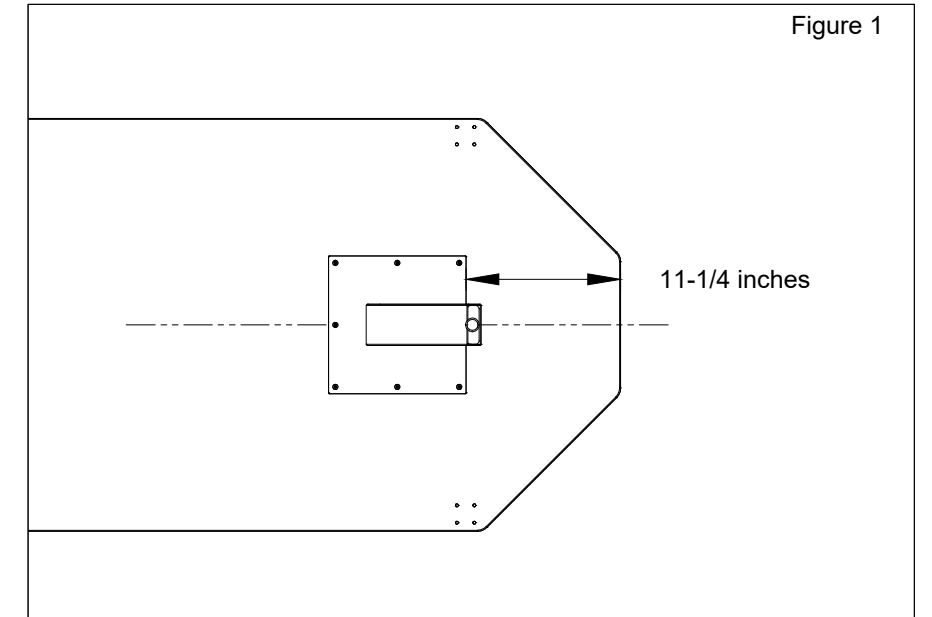
flag storage installation

1. Install the required reinforcement beam to the flag storage support; following the instructions for end reinforcement bars to open end gables, (Figure 1; short beam shown).
2. Attach the the flag storage support with reinforcement to the bottom of the flag storage with 11/16-inch oval head screws, (Figure 2).

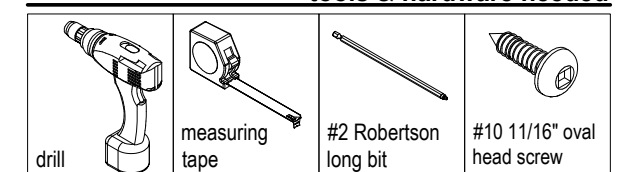


single post support

1. Position the single post support at the center of the surface and measure 11-1/4 inches from the edge of the support plate to the edge of the surface (Figure 1; D-top shown).
2. Secure the single post support with #10; 11/16-inch oval head screws, (Figure 2).

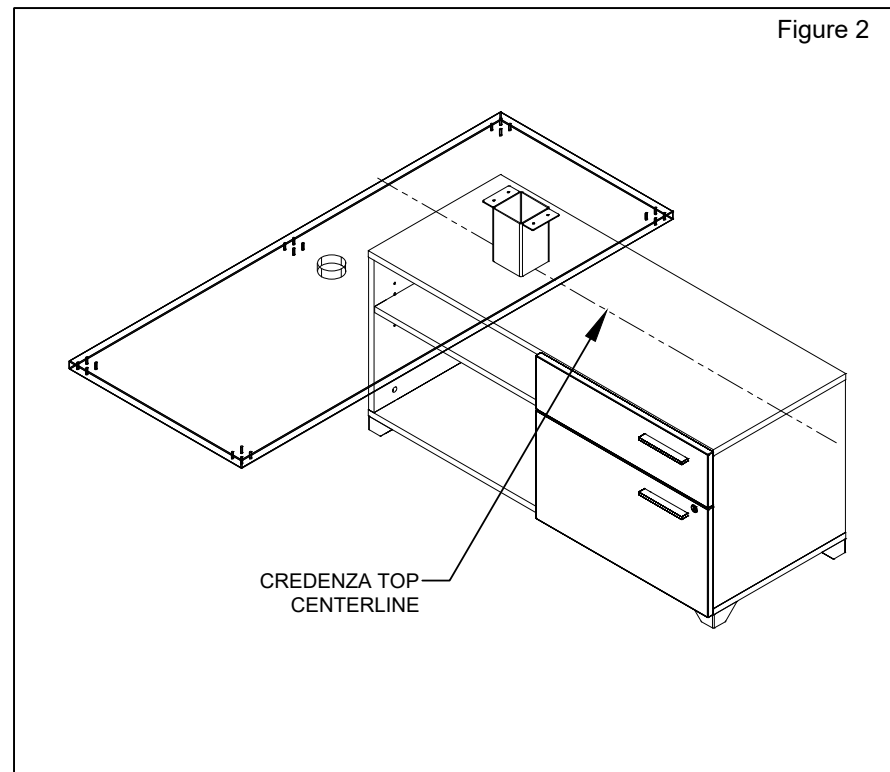
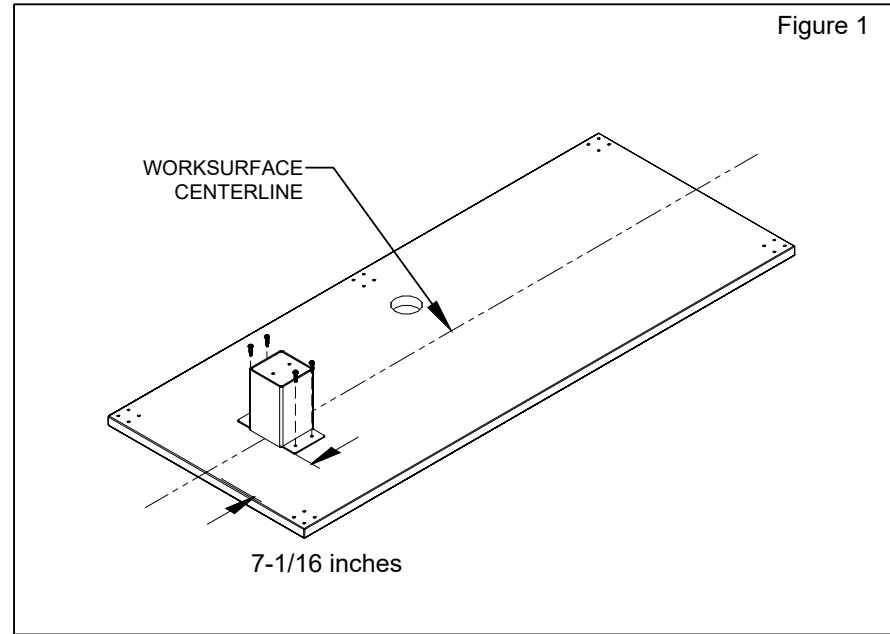


tools & hardware needed

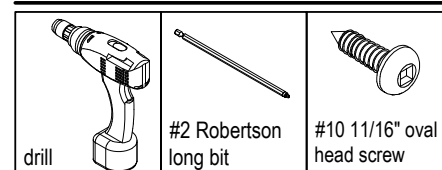


low credenza to worksurface fixed support

1. Along the center of the worksurface, install the low credenza worksurface support 7-1/16 inches from the edge of the worksurface with #10; 11/16-inch oval head screws (Figure 1).
2. Mount the worksurface above the credenza and secure the reinforcement beams to the surface (Figure 2).

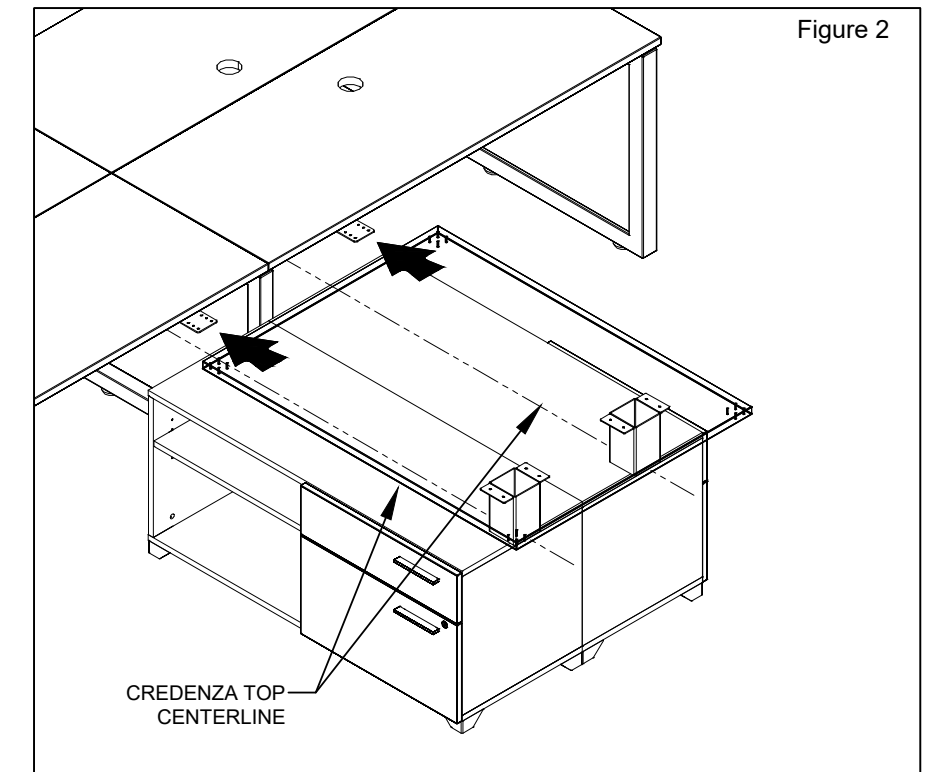
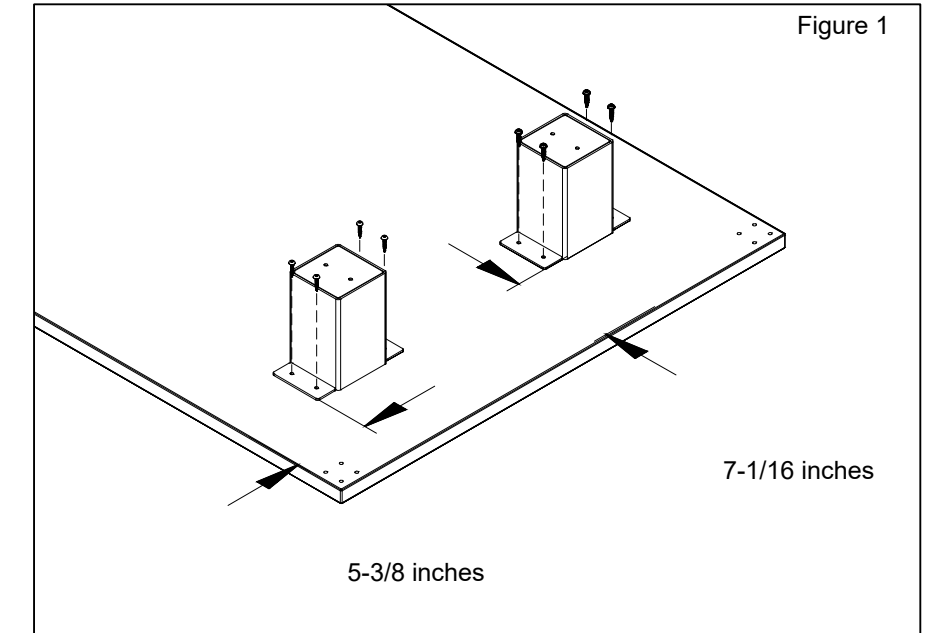


tools & hardware needed

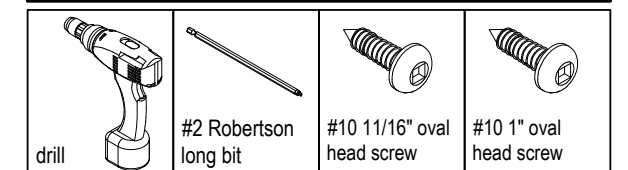


low credenza to wide worksurface fixed support

1. Install two low credenza worksurface supports 5-3/8 and 7-1/16 inches from the edge of the worksurface with #10; 11/16-inch oval head screws (Figure 1).
2. Mount the worksurface above the credenza and secure the flush plates to the surface with #10; 1-inch oval head screws (Figure 2).
3. Align the credenza to the worksurface.

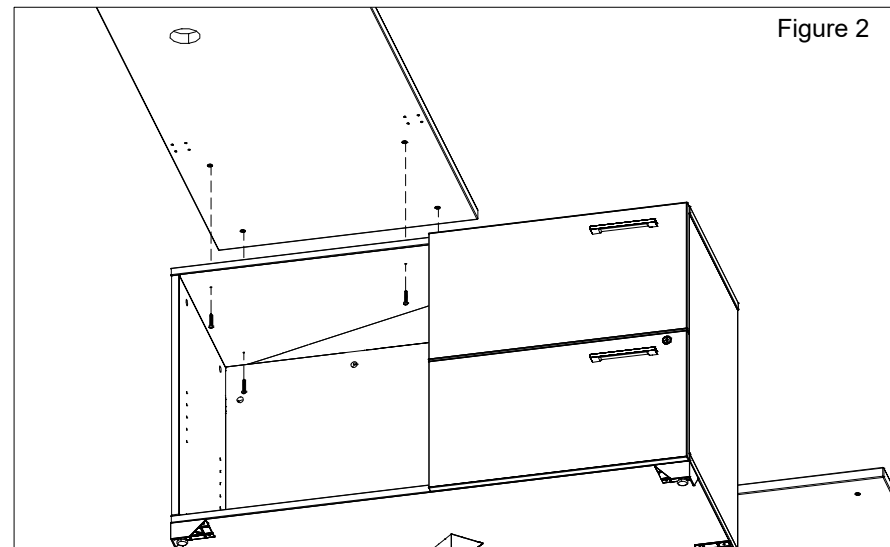
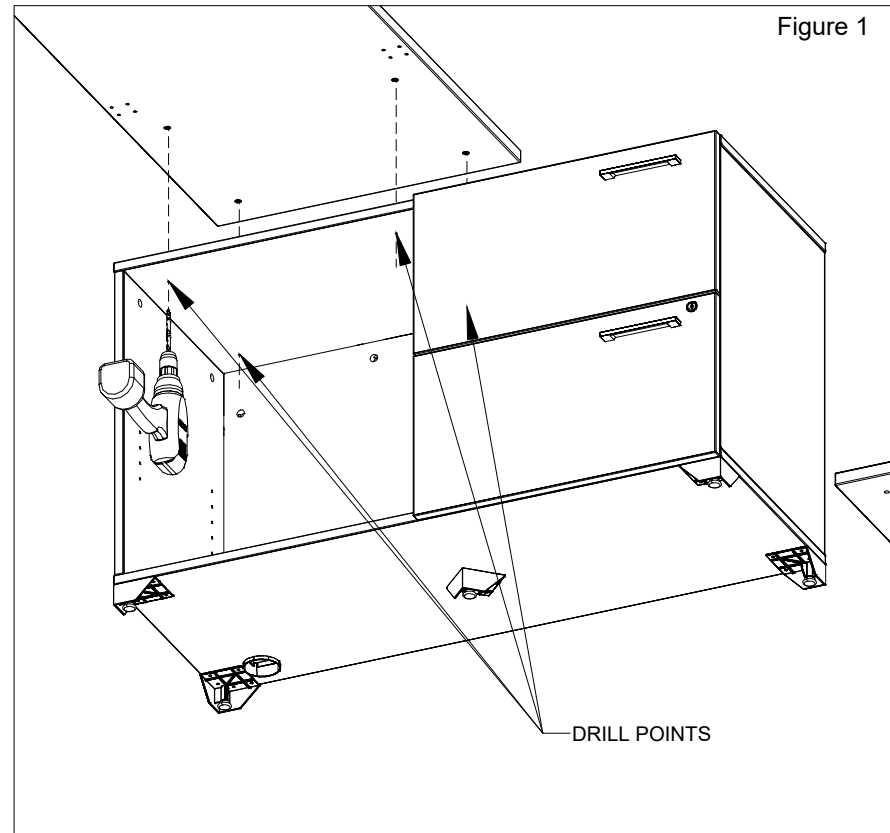


tools & hardware needed

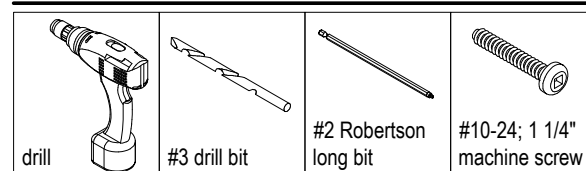


worksurface to high credenza installation

1. From the inside of the credenza, drill through the top following the corresponding drilling points to match the inserts on the required worksurface depth, (Figure 1).
2. Secure the worksurface to the high credenza with #10-24; 1-1/4 inch machine screws, (Figure 2).

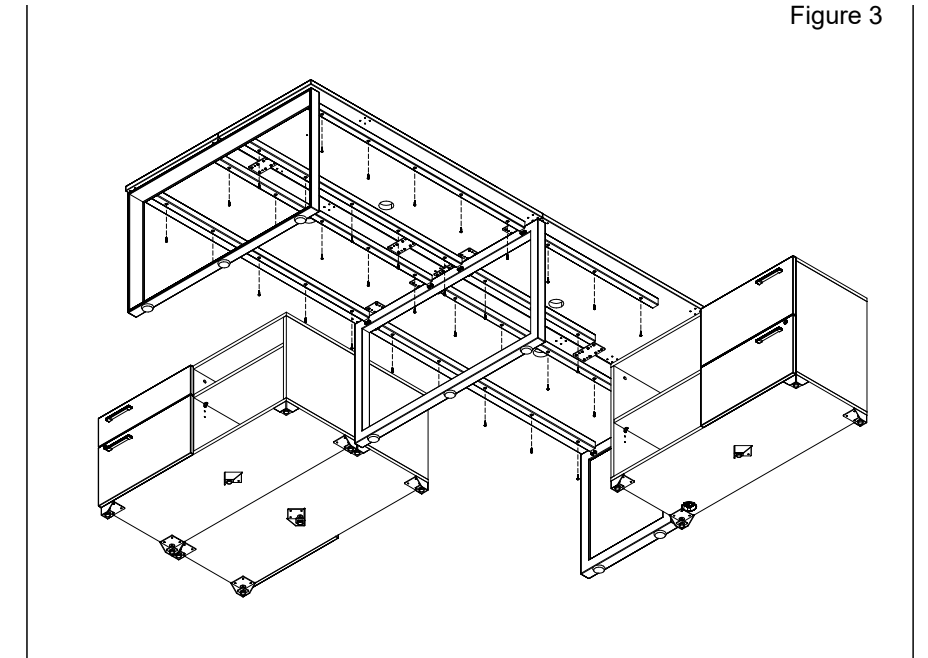


tools & hardware needed

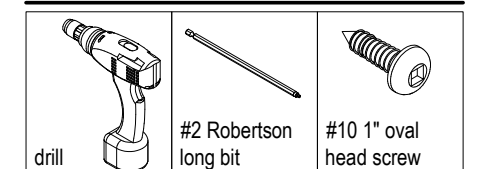


reinforcement beams to worksurface

1. With the worksurface assembled; secure the worksurface to the reinforcement beams with #10; 1-inch oval head screws, (Figure 1).



tools & hardware needed



front inset spacer to high credenza installation

1. Remove the drawers from the credenza by disengaging the safety lock on the sides of the drawer, (Figure 1).
2. From the inside of the credenza, drill through the top following the corresponding drilling points to match the required worksurface spacer, (Figure 2).

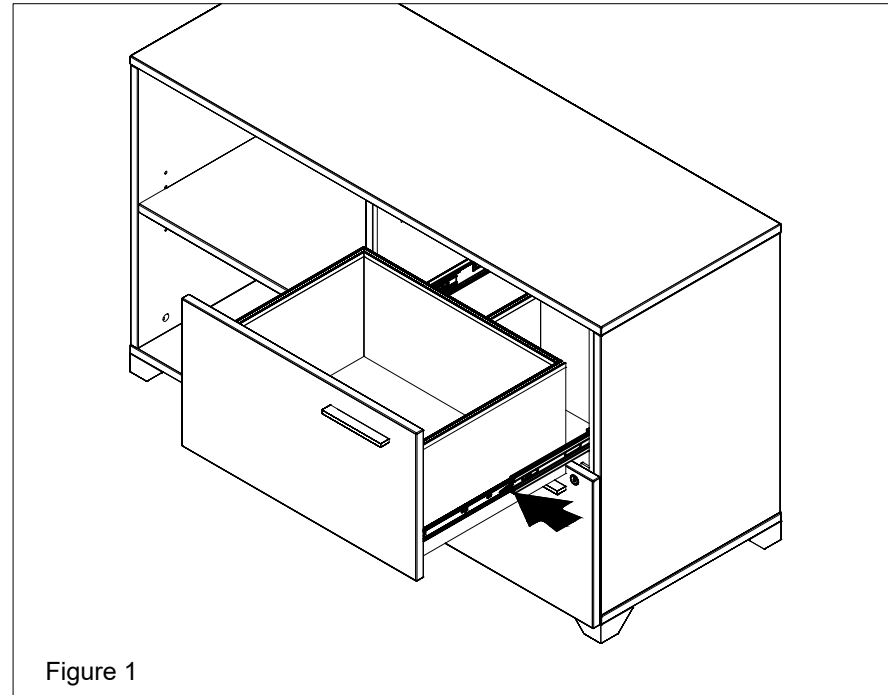


Figure 1

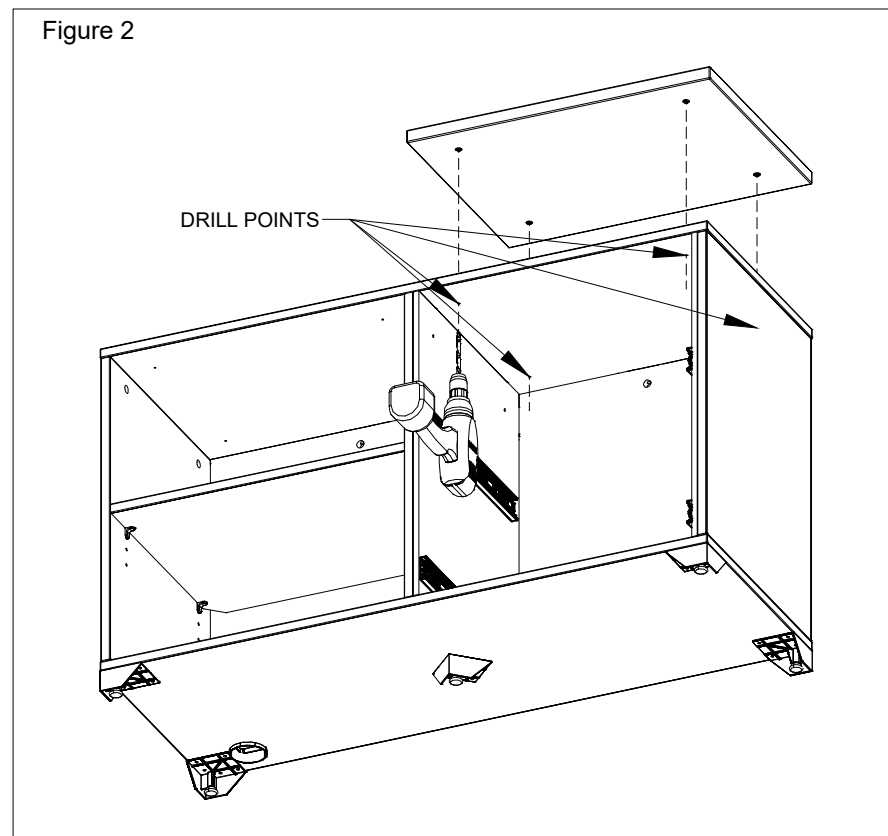


Figure 2

front inset spacer to high credenza installation (cont'd)

3. Figure 3 shows the bottom of the spacer with the inserts spaced 3 inches at the back and 2-1/2 inches in front.
4. Secure the inset spacer to the credenza with #10-24; 1-1/4 inch machine screws, (Figure 4).

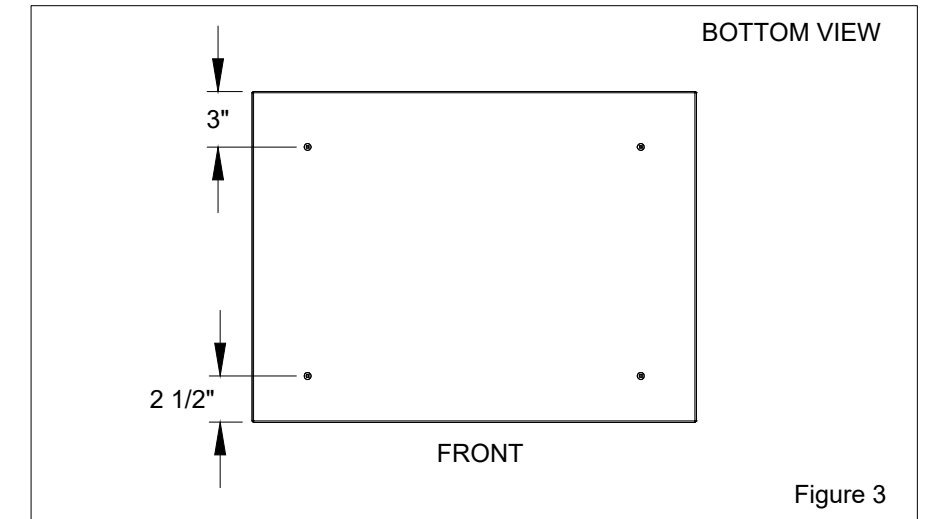


Figure 3

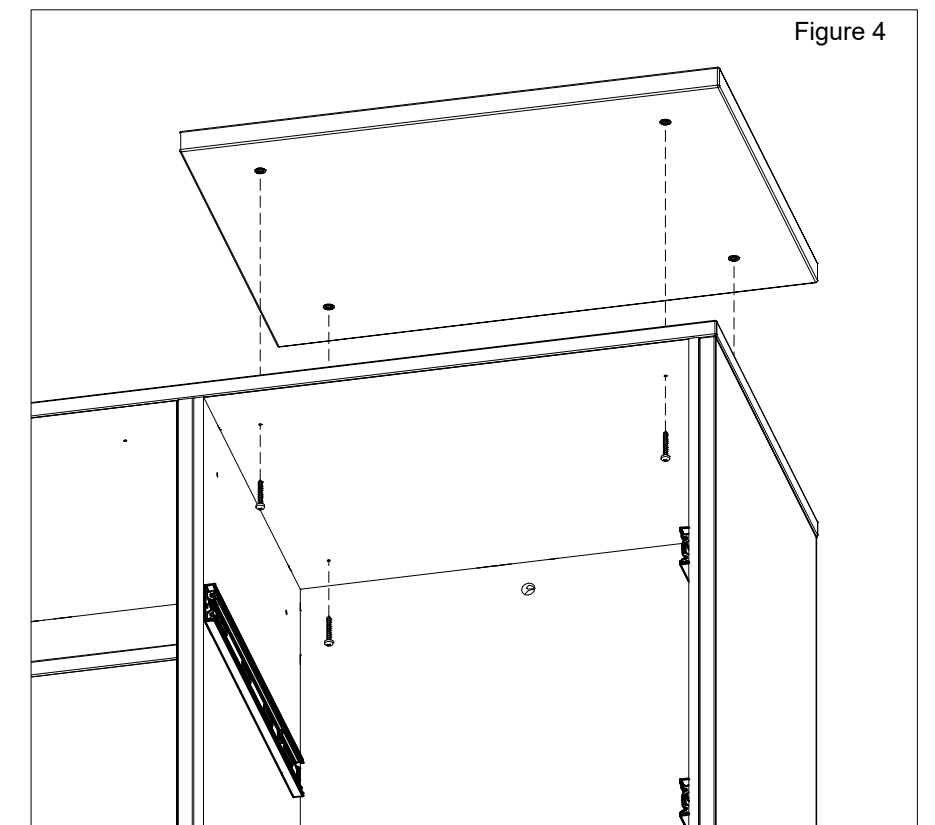
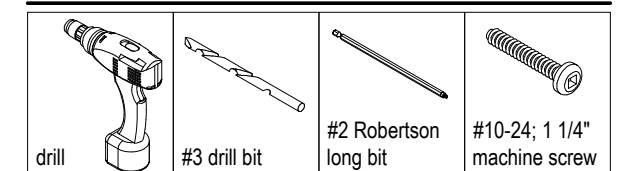


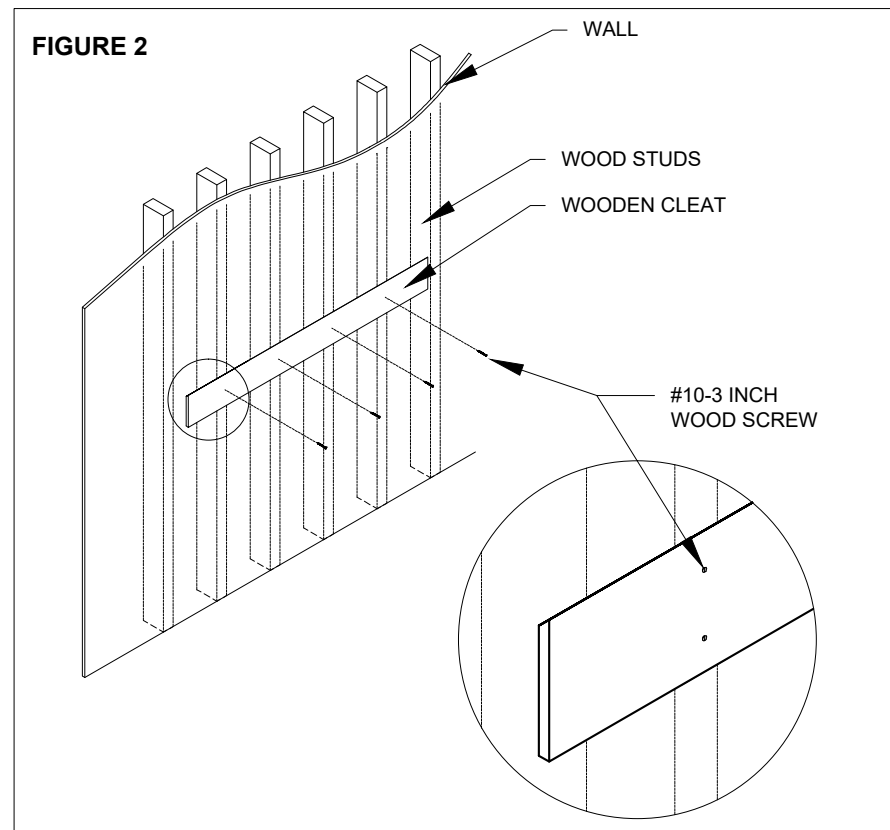
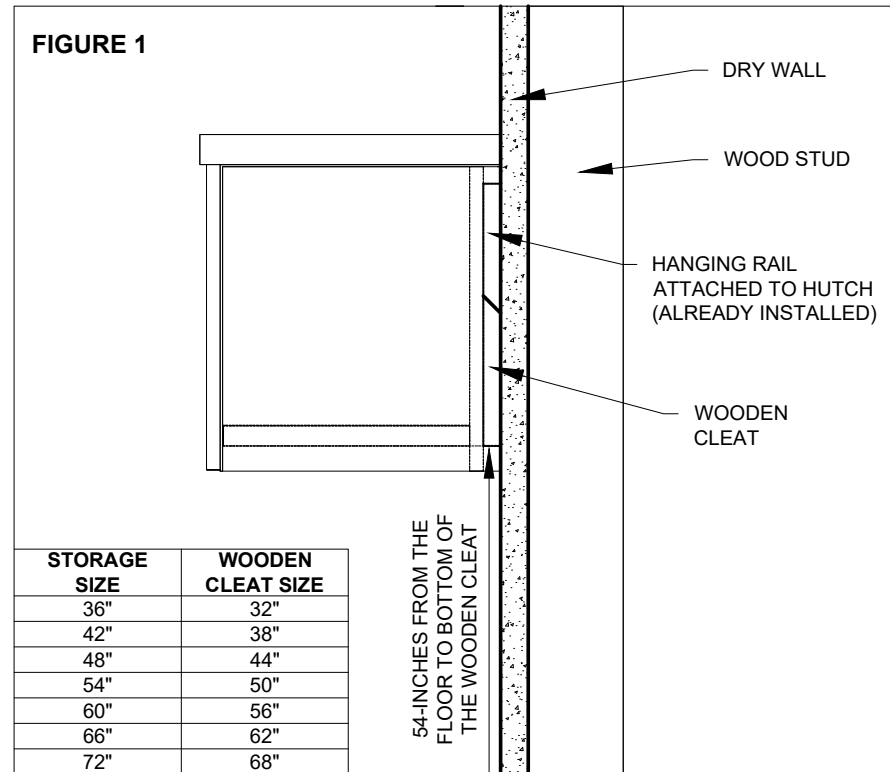
Figure 4

tools & hardware needed



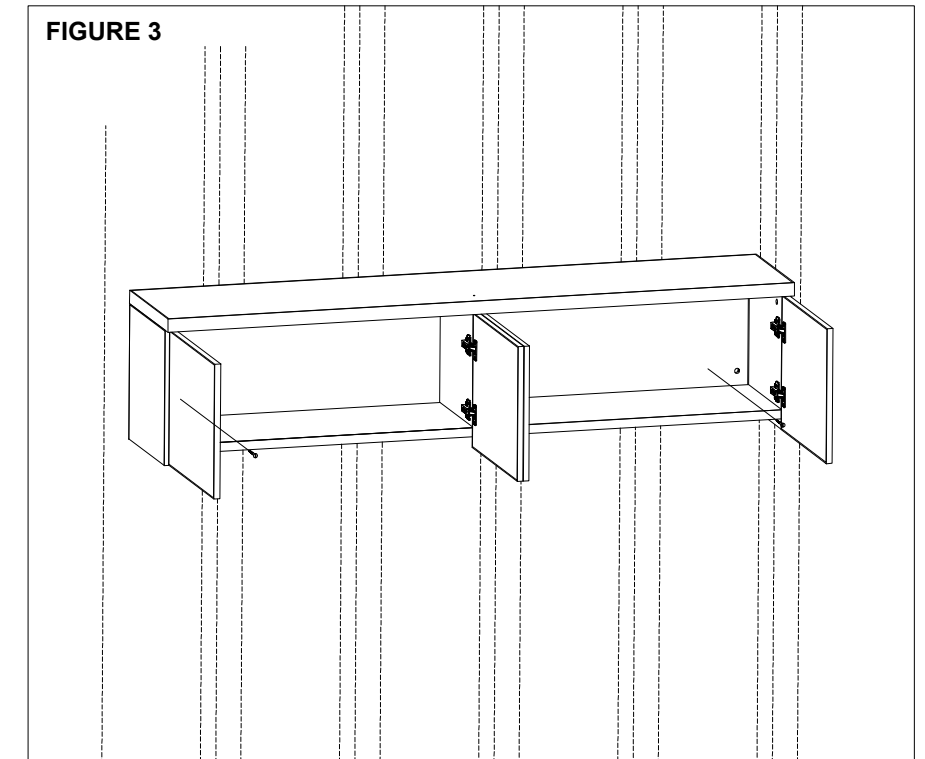
overhead storage - attachment to dry wall with wood studs

1. Find the location of the studs with a stud finder; make marks on the wall.
2. Mark the location of the wooden cleat on the wall and position it to the previously marked studs. The recommended height is 54-inches from the floor to the bottom of the wooden cleat. Use the following size as a guide for mounting the wooden cleats on the wall listed in Figure 1.
3. Level the wooden cleat and attach it to studs with #10, 3-inch wood screws, (Figure 2).



overhead storage - attachment to dry wall with wood studs (cont'd)

4. Hang the hutch over the installed wooden cleat.
5. Secure with #10, 3-inch wood screws from the inside back panel of the hutch through the wooden cleat, (Figure 3).



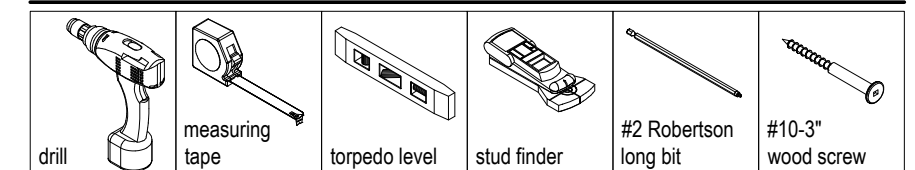
WARNING

It is the owner's responsibility to ensure that the wall type and construction is of sufficient strength to carry the loads of the overhead storage unit and its contents. Failure of the wall to support all imposed loads may result in property damage and/or personal injury. When in doubt, the use of other methods of storage such as freestanding storage units, hutches and bookcases is strongly recommended.

NOTES:

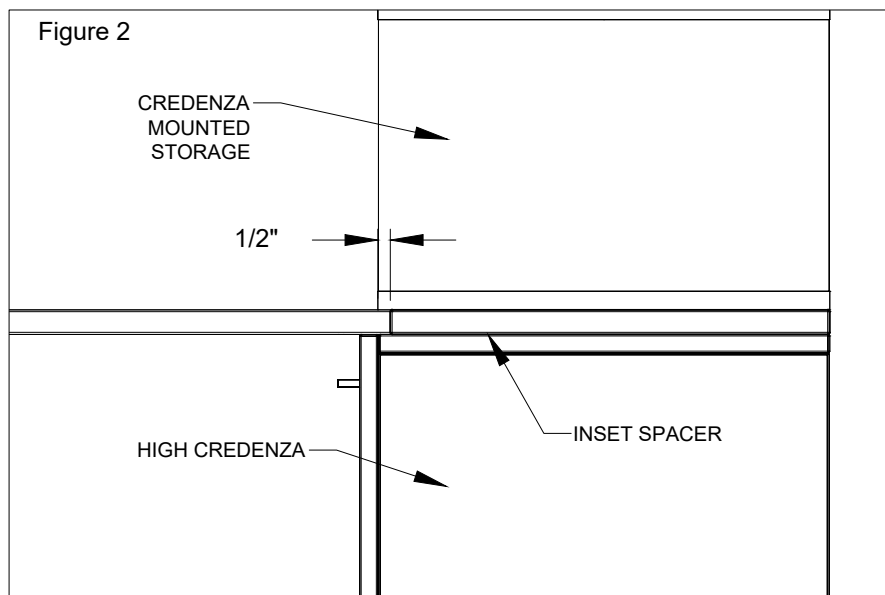
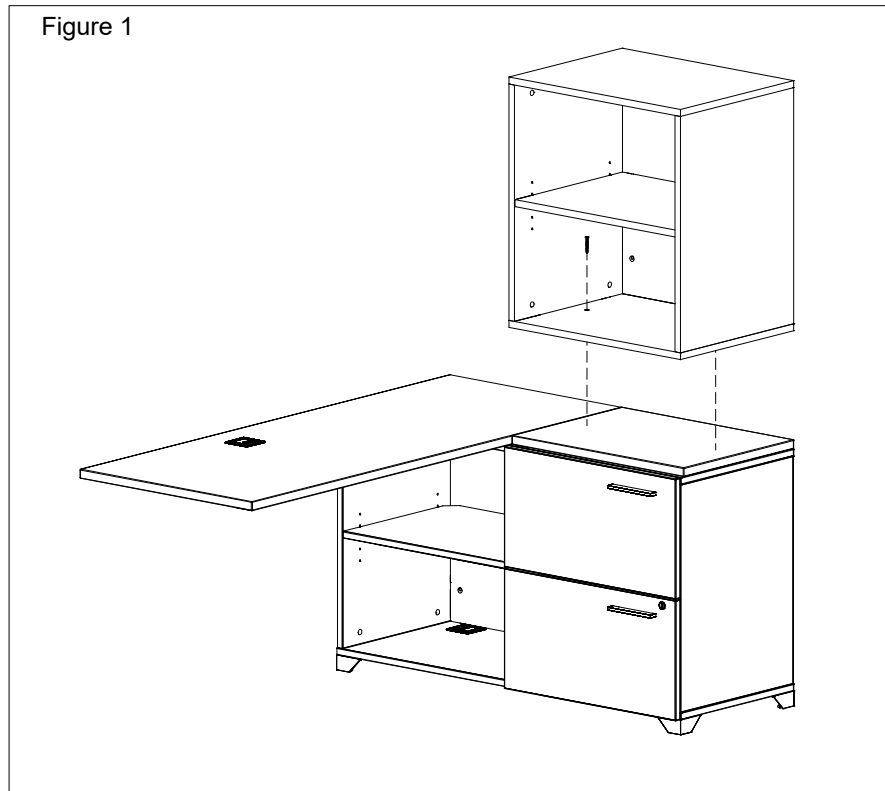
- > use 6 screws for hutches w/o dividers (48-inches and 54-inches wide) and 8 screws for hutches with dividers (60-inches, 66-inches and 72-inches wide).
- > make sure no electrical wires are on the way of the screws.

tools & hardware needed

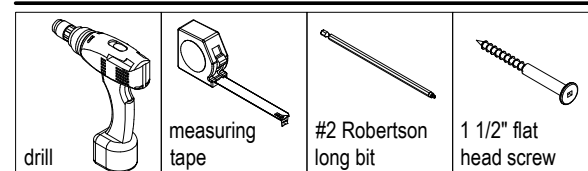


credenza mounted storage to high credenza installation

1. Secure the credenza mounted storage to the spacer with two 1-1/2 inch flat head screws, (Figure 1).
2. The credenza mounted storage is mounted with 1/2 inch space at the front of the credenza; flush on the sides and at the back, (Figure 2).



tools & hardware needed



surface mounted screen

1. Position the surface mounted screen to the worksurface (Figure 1).
2. Attach the surface mounted screen to the underside of the worksurface using #10 1" oval head screws (Figure 2).

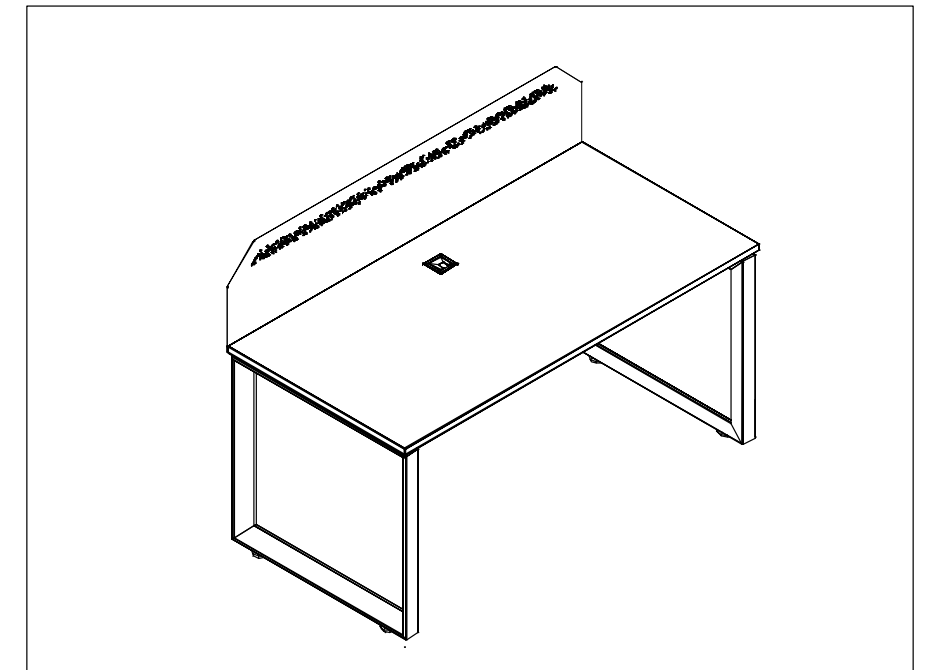


FIGURE 1

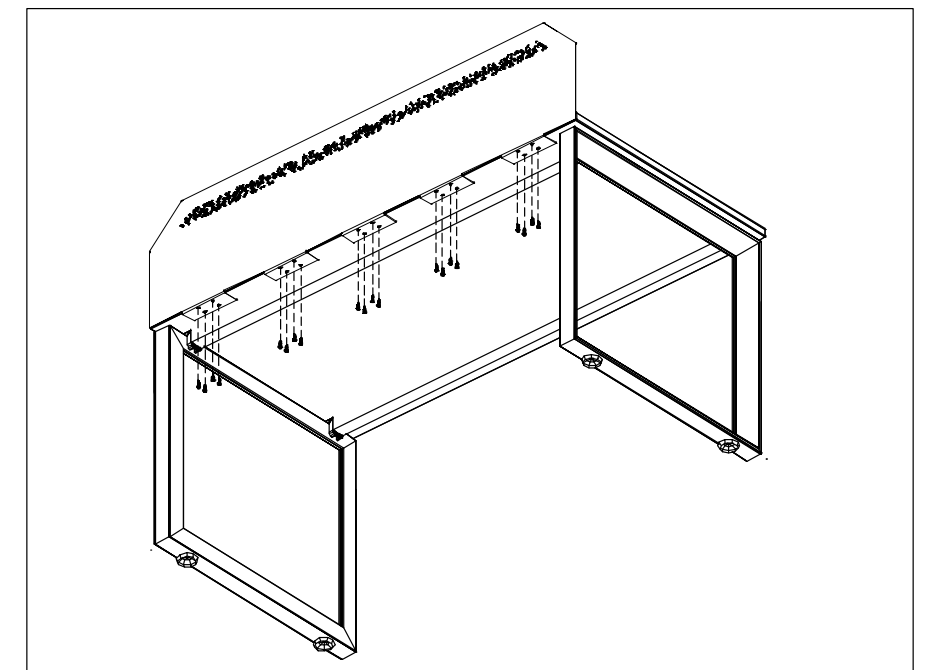
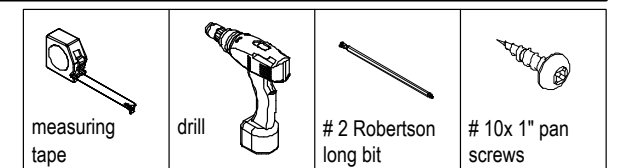


FIGURE 2

tools & hardware needed



trough mounted modesty screen

1. Position the trough mounted modesty screen.
2. Attach the trough mounted modesty screen to the wire management trough using 1/4-20 round head screws with three washers on each screw (Figure 1).

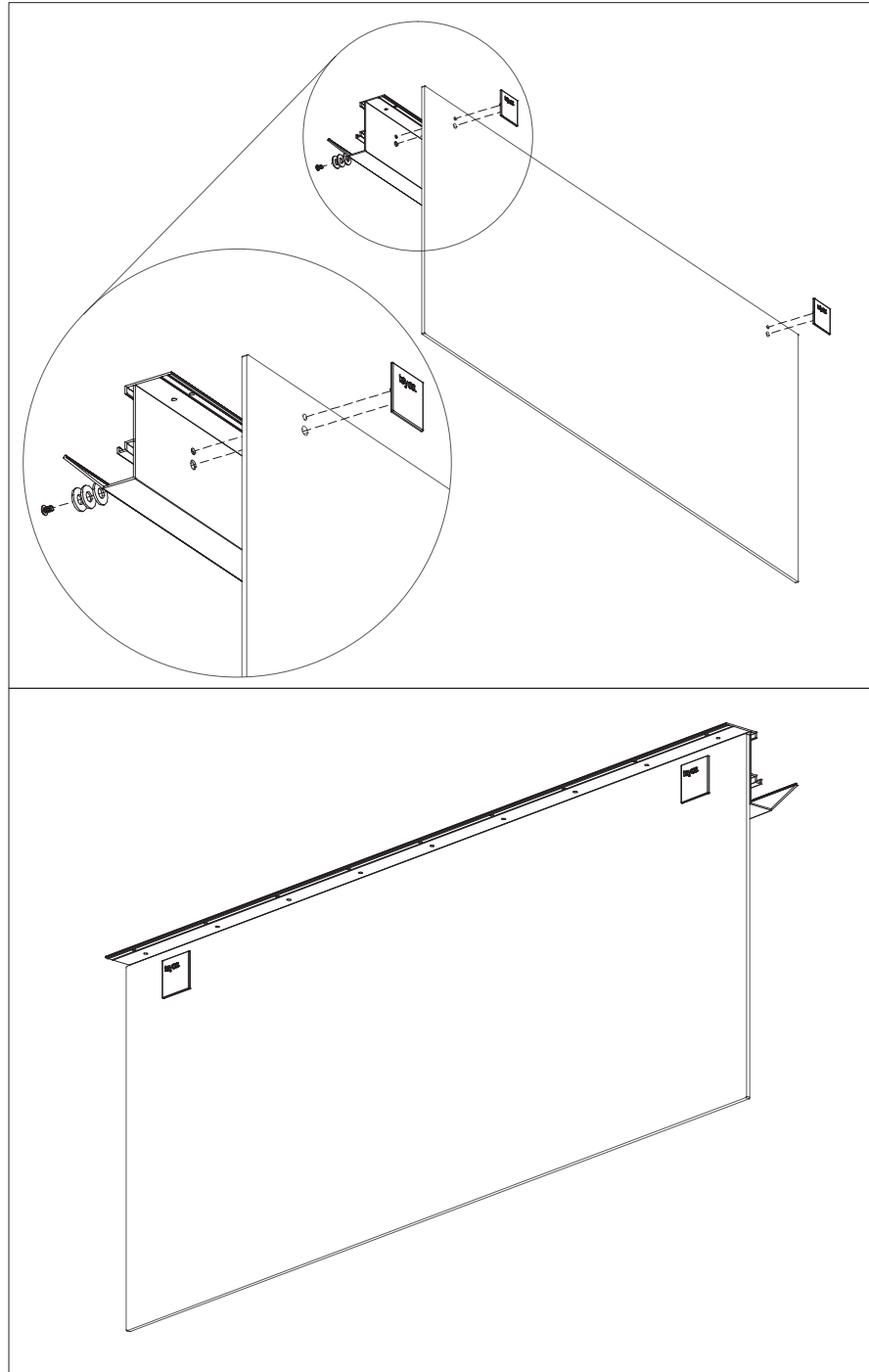
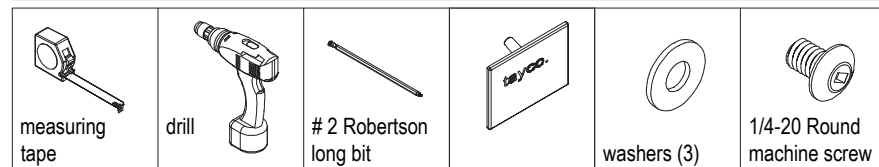


FIGURE 1

tools & hardware needed



wire management trough to surface

The wire management trough mounts to the underside of a reinforcement bar to manage power and communication cables horizontally below the worksurface level. Also, the power and/or communication box can be mounted to channels on the trough.

1. Ensure the worksurface is properly supported and all brackets are secured.
2. Position the worksurface wire management trough at the specified location (Figure 1). Use #10 1" oval head screws to attach the wire management trough to the underside of the worksurface (Figure 2).

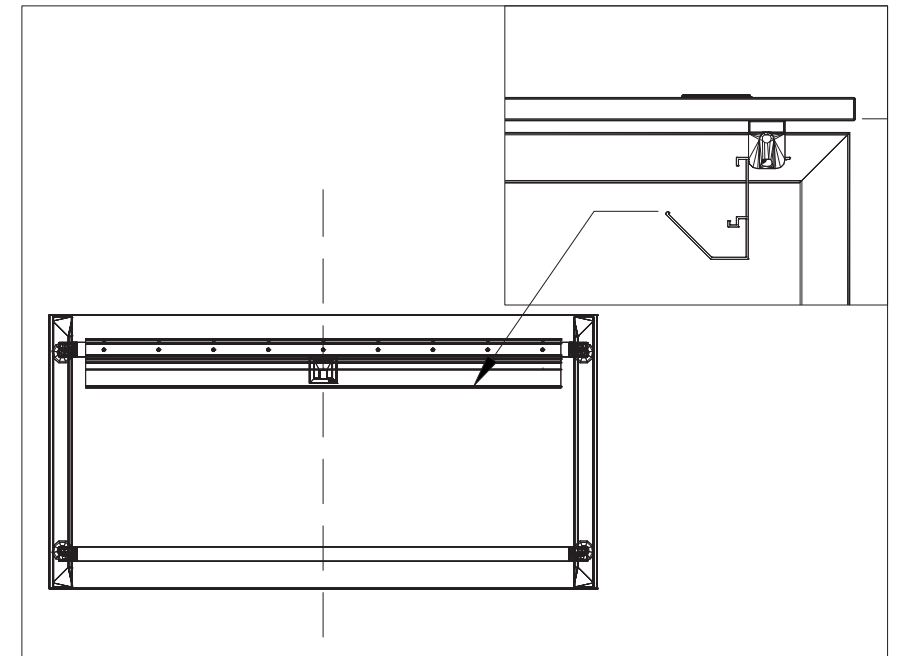


FIGURE 1

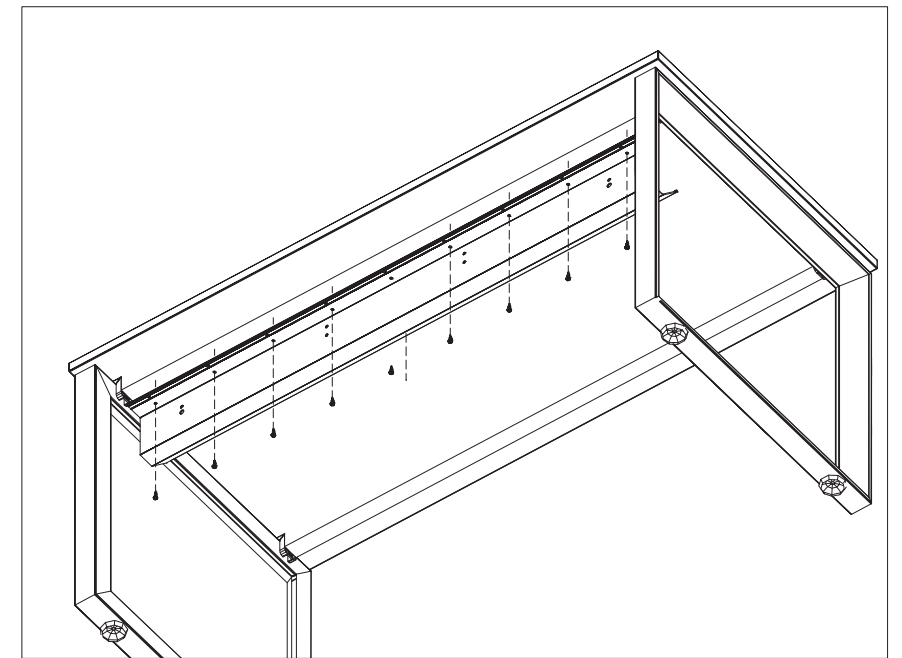
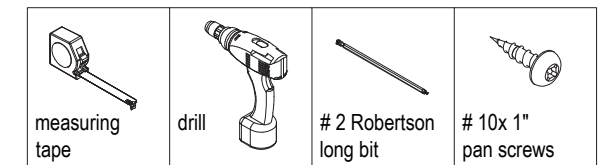


FIGURE 2

tools & hardware needed



power pole installation

The power pole is attached to the open gables to manage cables from the ceiling to a workstation below the worksurface level.

1. Attach brackets to the open end gable using #10-5/8" pan self drilling screws.
2. Inspect ceiling condition before beginning installation if the ceiling tile is acoustical, remove the tile above the power pole before attaching the power pole to the bracket. (Figure 2).
3. Attach half of the power pole to the bracket using #10-32 machine screws.

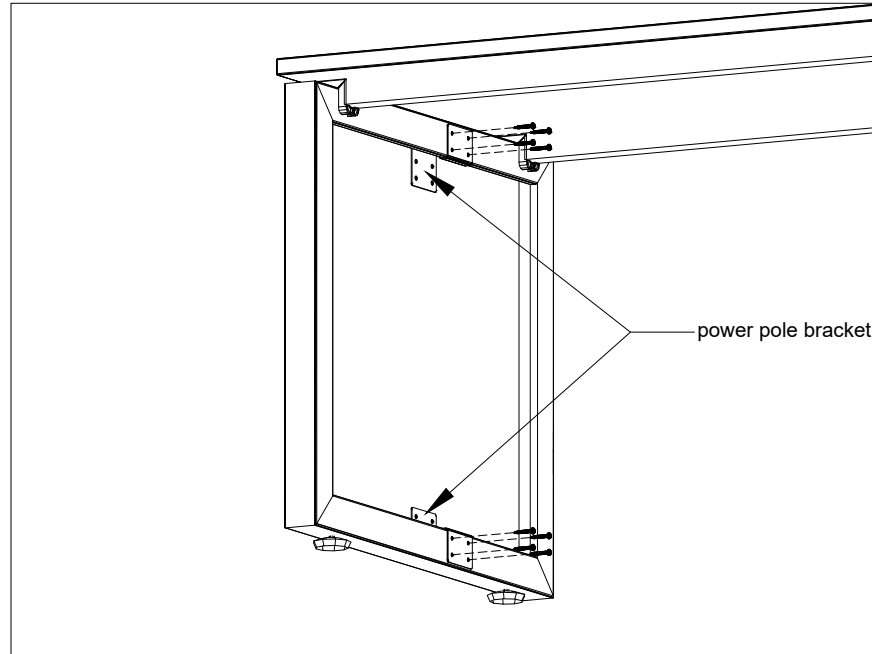


FIGURE 1

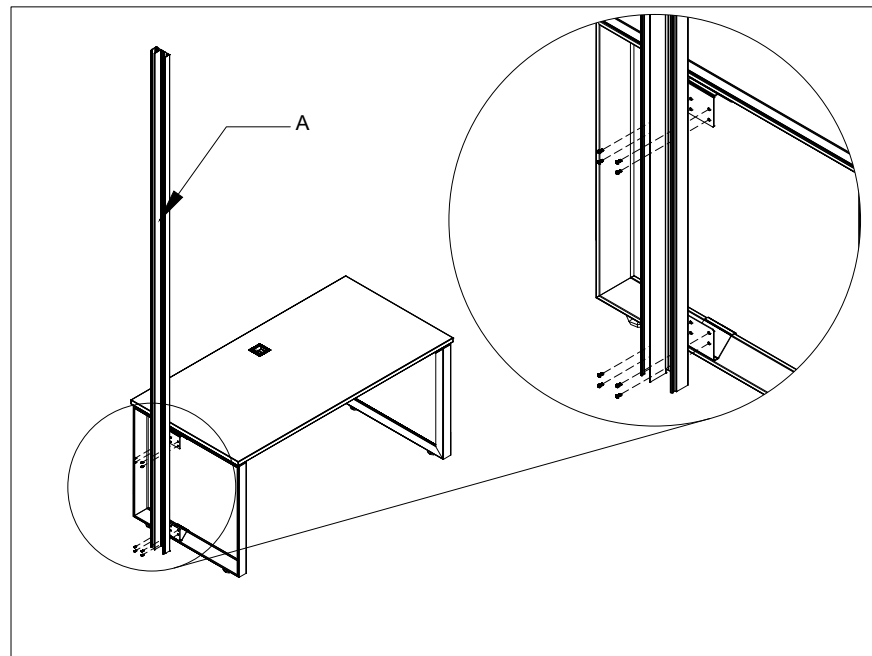
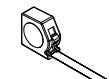






FIGURE 2

tools & hardware needed

 measuring tape	 drill	 # 2 Robertson long bit	 #10 x 5/8" pan self drilling screws	 # 10- 32 machine screws
---	--	---	--	--

power pole installation (cont'd)

4. Lay the data and power cables in the power pole. Clip the two halves of the power pole together (Figure 3).
5. Place the ceiling collar around the management column and mount to the ceiling with 6 screws; (Figure 4).

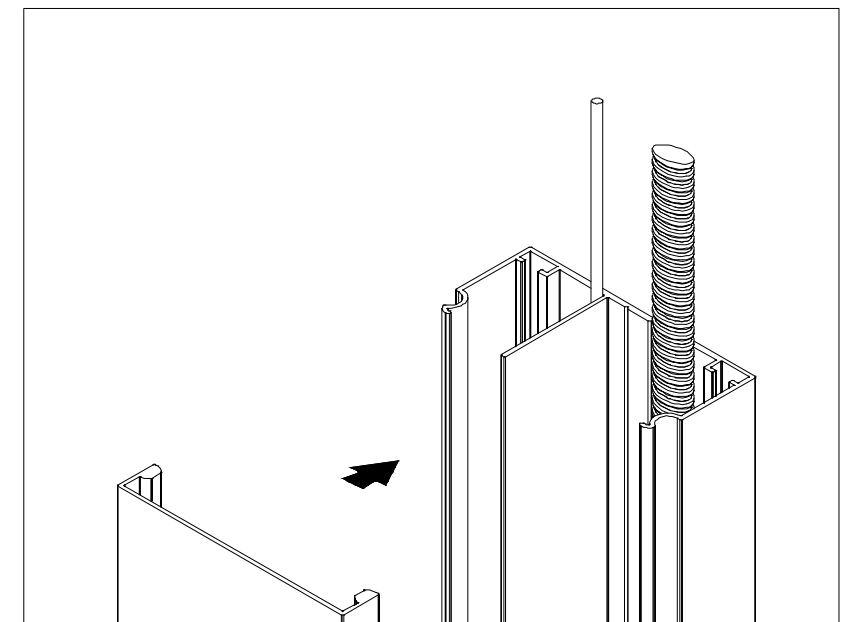


FIGURE 3

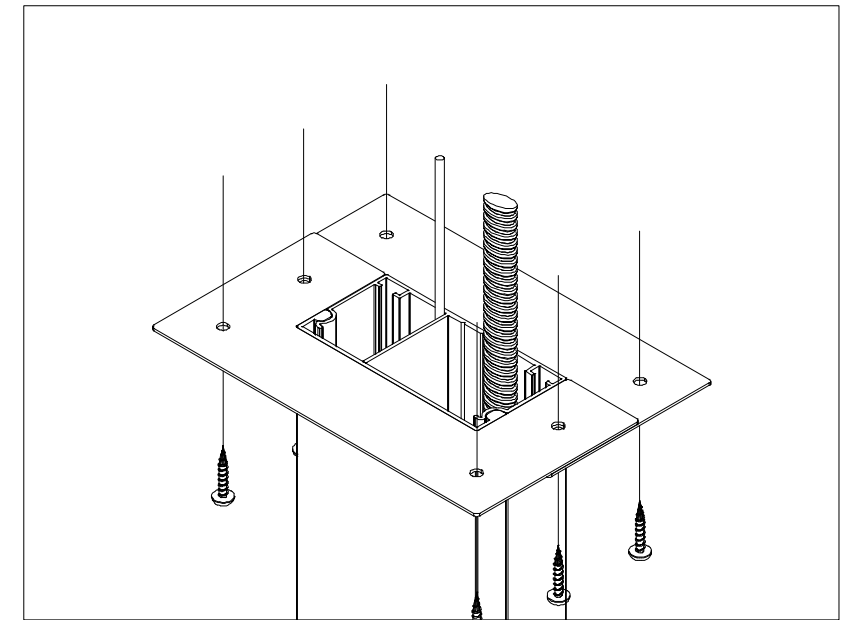
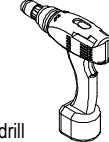

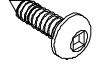


FIGURE 4

tools & hardware needed

 drill	 #2 Robertson long bit	 #10 11/16" oval head screw
--	--	---

trough mounted communication box installation

box installation

The cable management trough communication box mounts to the worksurface cable management trough to provide communication access below the worksurface level.

1. Insert the bottom edge of the trough mounted communication box, (Figure 1).
2. Secure in place with 3/8" metal screws, (Figure 2).

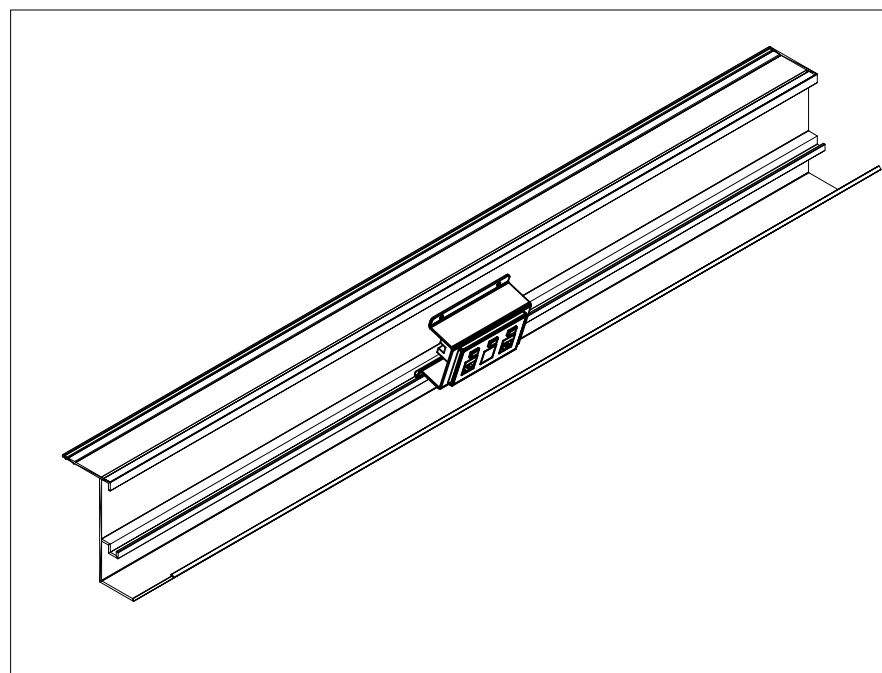


FIGURE 1

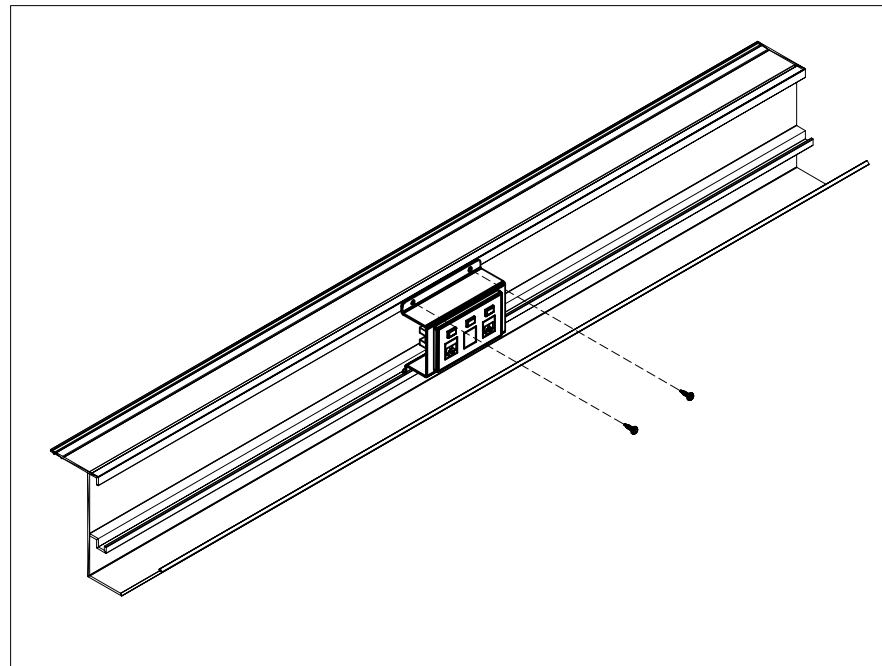
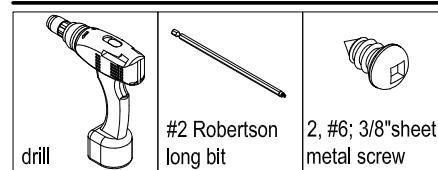


FIGURE 2

NOTES:

- > The trough mounted communication box does not come with any data cables.
- > The trough mounted communication box is equipped with one RJ11, RJ45 and a spare opening.

tools & hardware needed



trough mounted power box installation

The cable management trough power box mounts to the worksurface cable management trough to provide power access below the worksurface level.

1. Attach the harness(es) to the power box before installation, (Figure 1).
2. Mount the trough mounted power box to the horizontal wire management trough with 5/8" metal screws, (Figure 2).

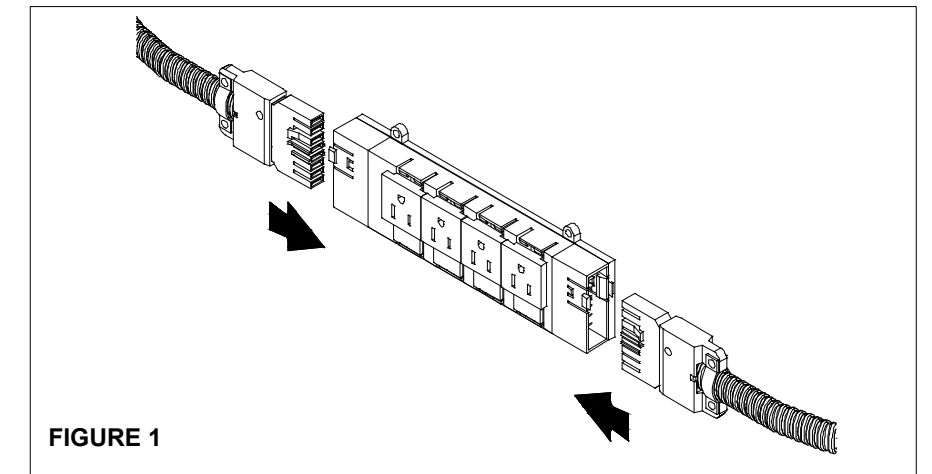


FIGURE 1

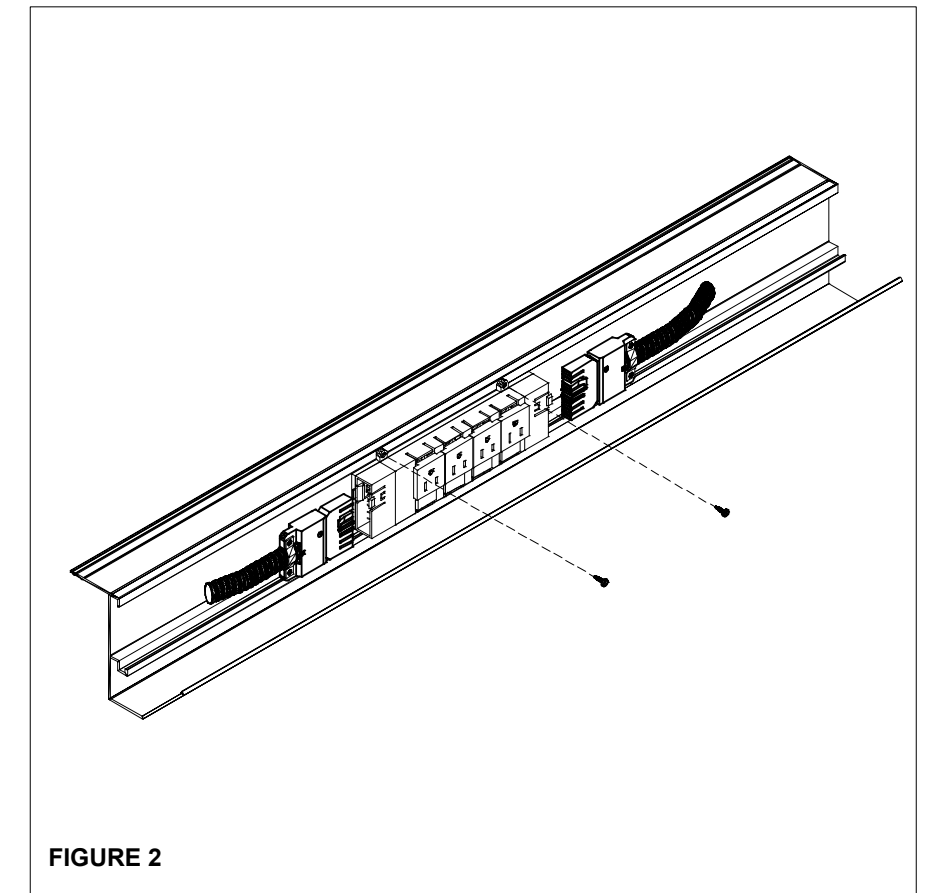
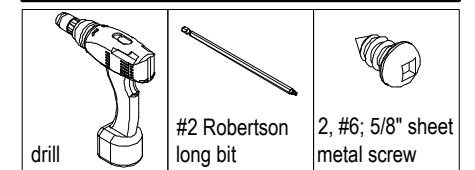


FIGURE 2

NOTES:

- > The trough mounted power box does not come with any electrical harnesses.

tools & hardware needed

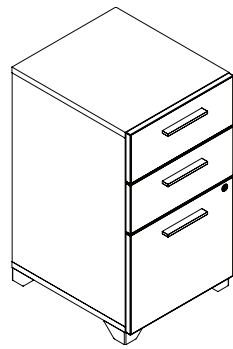




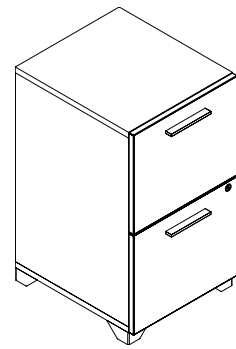
Scene Pricebook
Oct 2023
Pedestals

pedestal

<u>freestanding</u>	54
<u>mobile</u>	56



box/box/file pedestal without seat cushion



file/file pedestal without seat cushion

What's Included:

Tall stationary pedestal (box/box/file or file/file drawer configuration) (1), box drawer pencil tray (box/box/file drawer configuration) (1), and keys for lock (2).

Notes:

Tall stationary pedestal is 16" wide.

Available in box/box/file or file/file drawer configuration.

Top box drawer (box/box/file configuration) includes a plastic pencil tray to enhance organizational capabilities.

File drawer(s) accommodate either legal paper or letter paper hanging folders.

Contemporary metal handles on the drawers are standard.

Four levelers with a leveling range of 2.5" are included.

How to Specify:

Specify the drawer configuration to suit the storage requirements.

Specify the depth of the pedestal to be the same as the depth of the worksurface being utilized above.

Body refers to the top, side and back panels of the freestanding pedestal.

Face refers to the drawer front of the freestanding pedestal.

Feet are finished in silver, black or white powder coat.

Pencil tray is available in white translucent plastic only.

Internal drawer bodies are black low pressure laminate only.

Freestanding pedestal can be keyed alike or keyed randomly for a workstation.

Lock is available in satin silver metal only.

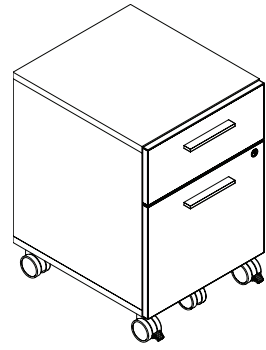
Options:

Drawer Configuration	BF box / box / file	FF file / file	
Depth	18", 24"		
Body Laminate	laminate color		
Face Laminate	laminate color		
Handle Color	H112 silver	H121 white	H122 black
Foot Color	P112 silver	P121 white	P114 black

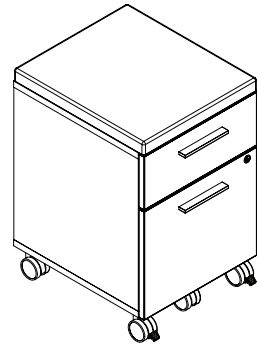
How to Order and Read your Code:

F	FP	BF	28	16	24
product line	item	drawer configuration	height	width	depth

Code	Price	H	W	D	Weight (lb)	Volume (ft ³)
box / box / file						
F-FPBF-281618	1051	28	16	18	53.76	4.67
F-FPBF-281624	1077	28	16	24	71.68	6.22
file/file						
F-FPFF-281618	942	28	16	18	53.76	4.67
F-FPFF-281624	969	28	16	24	71.68	6.22



mobile pedestal without seat cushion



mobile pedestal with seat cushion

What's Included:

Low mobile pedestal (box/file drawer configuration) with/without seat cushion (1), box drawer pencil tray (1), and keys for lock (2).

Notes:

- Low mobile pedestal is 16" wide.
- Box drawer includes a plastic pencil tray to enhance organizational capabilities.
- File drawer accommodates either legal paper or letter paper hanging folders.
- The two front casters are lockable.
- Contemporary metal handles on the drawers are standard.

How to Specify:

- Specify the drawer configuration to suit the storage requirements.
- Specify the depth of the pedestal to be the same as the depth of the worksurface being utilized above.
- Body refers to the top, side and back panels of the freestanding pedestal.
- Face refers to the drawer front of the freestanding pedestal.
- Pencil tray is available in white translucent plastic only.
- Internal drawer bodies are black low pressure laminate only.
- Freestanding pedestal can be keyed alike or keyed randomly for a workstation.
- Lock is available in satin silver metal only.

Options:

Seat Cushion	O without seat cushion	S with seat cushion
Depth	18"	
Body Laminate	laminate color	
Face Laminate	laminate color	
Handle Color	H112 silver	H121 white H122 black
Caster Cap Color	P112 silver	P121 white
Seating Upholstery	seating fabrics	

Code	Price	H	W	D	Weight (lb)	Volume (ft ³)
without seat cushion						
F-FPL0-231618	897	23	16	18	53.76	3.83

with seat cushion

Code	Grade 1	Grade 2	Grade 3	Grade 6	W	D	Weight (lb)	Volume (ft ³)
F-FPLS-251618	1133	1161	1190	1275	16	18	53.76	4.17

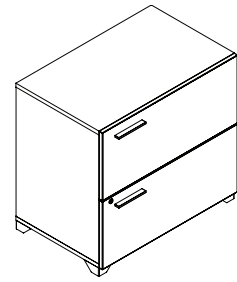


Scene Pricebook
Oct 2023

Laterals

lateral

2 drawer	60
3 drawer	62
4 drawer	64



left handle position

What's Included:

2 drawer lateral storage

How to Specify:

Body refers to the top, side and back panels of the 2 drawer lateral.

Face refers to the drawer front of the 2 drawer lateral.

Feet are finished in silver, black or white powder coat.

2 drawer lateral can be keyed alike or keyed randomly for a workstation.

Lock is available in satin silver metal only.

Notes:

2 drawer lateral is available in 30", 36" & 42" widths.

2 drawer lateral is available in 18" & 24" depths.

Metal handles on the drawers are standard.

Each drawer includes 2 cross rails to enhance organizational capabilities.

File drawers accommodates either legal paper or letter paper hanging folders.

Four levelers with a leveling range of 2.5" are included.

Disclaimer: Please note that lateral file drawers are intended for filing letter and legal size paper front to back or side to side only. For details and weight restrictions please contact customer service.

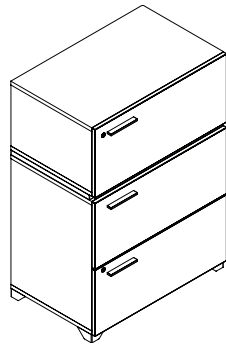
Options:

Width	30", 36", 42"		
Depth	18", 24"		
Body Laminate	laminate color		
Face Laminate	laminate color		
Handle position	L left	R right	
Handle Color	H112 silver	H121 white	H114 black
Foot Color	P112 silver	P121 white	P114 black

How to Order and Read your Code:

F	FL	2F	28	30	18	L
product line	item	drawer configuration	height	width	depth	handle position

Code	Price	H (in.)	W (in.)	D 1 (in.)	Weight (lb)	Volume (ft ³)
Left Handle						
F-FL2F-283018-L	1439	28	30	18	65.74	8.75
F-FL2F-283618-L	1495	28	36	18	78.89	10.5
F-FL2F-284218-L	1599	28	42	18	92.03	12.25
F-FL2F-283024-L	1475	28	30	24	87.65	11.67
F-FL2F-283624-L	1586	28	36	24	105.18	14
F-FL2F-284224-L	1698	28	42	24	122.71	16.33
Right Handle						
F-FL2F-283018-R	1439	28	30	18	65.74	8.75
F-FL2F-283618-R	1495	28	36	18	78.89	10.5
F-FL2F-284218-R	1599	28	42	18	92.03	12.25
F-FL2F-283024-R	1475	28	30	24	87.65	11.67
F-FL2F-283624-R	1586	28	36	24	105.18	14
F-FL2F-284224-R	1698	28	42	24	122.71	16.33



left handle position

What's Included:

3 drawer lateral storage

How to Specify:

Body refers to the top, side and back panels of the 2 drawer lateral.

Face refers to the drawer front of the 2 drawer lateral.

Feet are finished in silver, black or white powder coat.

2 drawer lateral can be keyed alike or keyed randomly for a workstation.

Lock is available in satin silver metal only.

Notes:

3 drawer lateral is available in 30", 36" & 42" widths.

3 drawer lateral is available in 18" & 24" depths.

Metal handles on the drawers are standard.

Each drawer includes 2 cross rails to enhance organizational capabilities.

File drawers accommodates either legal paper or letter paper hanging folders.

Four levelers with a leveling range of 2.5" are included.

Disclaimer: Please note that lateral file drawers are intended for filing letter and legal size paper front to back or side to side only. For details and weight restrictions please contact customer service.

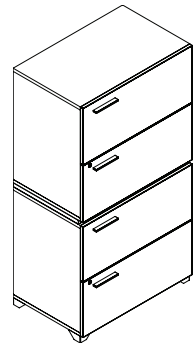
Options:

Width	30", 36", 42"		
Depth	18", 24"		
Body Laminate	laminate color		
Face Laminate	laminate color		
Spacer trim	LPL color		
Handle position	L left	R right	
Handle Color	H112 silver	H121 white	H114 black
Foot Color	P112 silver	P121 white	P114 black

How to Order and Read your Code:

F	FL	3F	43	30	18	L
product line	item	drawer configuration	height	width	depth	handle position

Code	Price	H (in.)	W (in.)	D 1 (in.)	Weight (lb)	Volume (ft ³)
Left Handle						
F-FL3F-433018-L	2324	43	30	18	92.88	13.44
F-FL3F-433618-L	2407	43	36	18	111.46	16.13
F-FL3F-434218-L	2589	43	42	18	130.03	18.81
F-FL3F-433024-L	2376	43	30	24	123.84	17.92
F-FL3F-433624-L	2575	43	36	24	148.61	21.5
F-FL3F-434224-L	2772	43	42	24	173.38	25.08
Right Handle						
F-FL3F-433018-R	2324	43	30	18	92.88	13.44
F-FL3F-433618-R	2407	43	36	18	111.46	16.13
F-FL3F-434218-R	2589	43	42	18	130.03	18.81
F-FL3F-433024-R	2376	43	30	24	123.84	17.92
F-FL3F-433624-R	2575	43	36	24	148.61	21.5
F-FL3F-434224-R	2772	43	42	24	173.38	25.08



left handle position

What's Included:

4 drawer lateral storage

How to Specify:

Body refers to the top, side and back panels of the 4 drawer lateral.

Face refers to the drawer front of the 4 drawer lateral.

Feet are finished in silver, black or white powder coat.

4 drawer lateral can be keyed alike or keyed randomly for a workstation.

Lock is available in satin silver metal only.

Notes:

4 drawer lateral is available in 30", 36" & 42" widths.

4 drawer lateral is available in 18" & 24" depths.

Metal handles on the drawers are standard.

Each drawer includes 2 cross rails to enhance organizational capabilities.

File drawers accommodates either legal paper or letter paper hanging folders.

Four levelers with a leveling range of 2.5" are included.

Disclaimer: Please note that lateral file drawers are intended for filing letter and legal size paper front to back or side to side only. For details and weight restrictions please contact customer service.

Options:

Width	30", 36", 42"		
Depth	18", 24"		
Body Laminate	laminate color		
Face Laminate	laminate color		
Spacer trim	LPL color		
Handle position	L left	R right	
Handle Color	H112 silver	H121 white	H114 black
Foot Color	P112 silver	P121 white	P114 black

How to Order and Read your Code:

F	FL	4F	56	30	18	L
product line	item	drawer configuration	height	width	depth	handle position

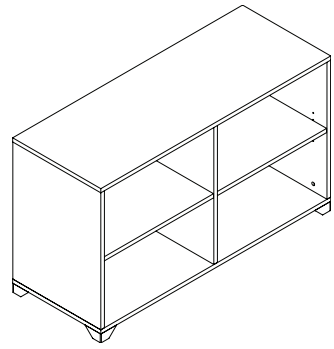
Code	Price	H (in.)	W (in.)	D 1 (in.)	Weight (lb)	Volume (ft ³)
Left Handle						
F-FL4F-563018-L	2770	56	30	18	108	17.5
F-FL4F-563618-L	2890	56	36	18	129.6	21
F-FL4F-564218-L	3112	56	42	18	151.2	24.5
F-FL4F-563024-L	2848	56	30	24	144	23.33
F-FL4F-563624-L	3086	56	36	24	172.8	28
F-FL4F-564224-L	3320	56	42	24	201.6	32.67
Right Handle						
F-FL4F-563018-R	2770	56	30	18	108	17.5
F-FL4F-563618-R	2890	56	36	18	129.6	21
F-FL4F-564218-R	3112	56	42	18	151.2	24.5
F-FL4F-563024-R	2848	56	30	24	144	23.33
F-FL4F-563624-R	3086	56	36	24	172.8	28
F-FL4F-564224-R	3320	56	42	24	201.6	32.67



Scene Pricebook
Oct 2023
Credenzas

credenza

<u>open high</u>	68
<u>enclosed high</u>	69
<u>combo high</u>	70
<u>open low</u>	72
<u>enclosed low</u>	73
<u>combo low</u>	74



What's Included:

Open high credenza (1) with two wire management grommets (2).

How to Specify:

Body refers to the top, side and back panels of the open high credenza.

Feet are finished in silver, black or white powder coat.

Lock is available in satin silver metal only.

Notes:

Open high credenza is available in 48", 54", 60", 66" & 72" widths.

Open high credenza is available in 18" depth.

Open shelf provides storage space for books, binders, and boxes, as well as large personal items such as backpacks and briefcases.

Four levelers with a leveling range of 2.5-inches are included.

Middle shelves have a notched corner to allow a pass through for power & data

Lower shelf has 2 wire management grommets

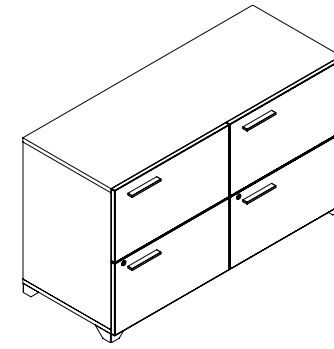
Options:

Width	48", 54", 60", 66", 72"		
Body Laminate	laminate color		
Foot Color	P112 silver	P121 white	P114 black
Grommet Color	P112 silver	P121 white	P114 black

How to Order and Read your Code:

F	CROH	28	30	18
product line	item	height	width	depth

Code	Price	H (in.)	W (in.)	D 1 (in.)	Weight (lb)	Volume (ft ³)
F-CROH-284818	1073	28	48	18	48.38	14
F-CROH-285418	1134	28	54	18	54.43	15.75
F-CROH-286018	1192	28	60	18	60.48	17.5
F-CROH-286618	1247	28	66	18	66.53	19.25
F-CROH-287218	1304	28	72	18	72.58	21



left handle drawer position

What's Included:

Enclosed high credenza (file/file drawer configuration) (1), and keys for lock (4).

How to Specify:

Body refers to the top, side and back panels of the enclosed high credenza.

Face refers to the drawer front of the enclosed high credenza.

Drawer handles are finished in silver, black or white powder coat.

Feet are finished in silver, black or white powder coat.

Enclosed high credenza can be keyed alike or keyed randomly for a workstation.

Lock is available in satin silver metal only.

Notes:

Enclosed high credenza is available in 48", 60" & 72" widths.

File drawer can accommodate either legal paper or letter paper hanging folders.

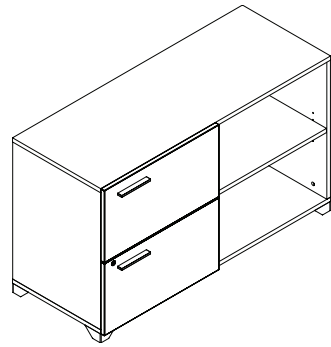
Metal handles on the drawers are standard.

Four levelers with a leveling range of 2.5-inches are included.

Options:

Width	48", 54", 60", 66", 72"		
Handle position	L left	R right	
Handle Color	H112 silver	H121 white	H122 black
Foot Color	P112 silver	P121 white	P114 black

Code	Price	H (in.)	W (in.)	D 1 (in.)	Weight (lb)	Volume (ft ³)
F-CREH-284818-L	2296	28	48	18	96.77	14
F-CREH-286018-L	2499	28	60	18	120.96	17.5
F-CREH-287218-L	2699	28	72	18	145.15	21
F-CREH-284818-R	2296	28	48	18	96.77	14
F-CREH-286018-R	2499	28	60	18	120.96	17.5
F-CREH-287218-R	2699	28	72	18	145.15	21



left hand
drawer position

What's Included:

Combo high credenza (open shelf and file/file drawer configuration) (1) with keys for lock (2) and a wire management grommet (1).

How to Specify:

Specify drawer position to be on the side/end of the credenza that is not supporting a worksurface.

Body refers to the top, side and back panels of the combo high credenza.

Face refers to the drawer front of the combo high credenza.

Drawer handles are finished in silver, black or white powder coat.

Feet are finished in silver, black or white powder coat.

Combo high credenza can be keyed alike or keyed randomly for a workstation.

Lock is available in satin silver metal only.

Notes:

Combo high credenza is available in 48", 54", 60", 66" & 72" widths.

Available with open shelf and file/file drawer configuration located on the left or right side of the credenza.

Open shelf provides storage space for books, binders, and boxes, as well as large personal items such as backpacks and briefcases.

One file drawer accommodates either legal paper or letter paper hanging folders.

Metal handles on the drawers are standard.

Four levelers with a leveling range of 2.5-inches are included.

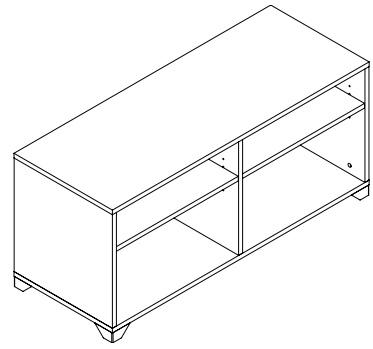
Middle shelf has a notched corner to allow a pass through for power & data

Lower shelf has a wire management grommet

Options:

Width	48", 54", 60", 66", 72"		
Drawer position	L left	R right	
Body Laminate	laminate color		
Face Laminate	laminate color		
Handle Color	H112 silver	H121 white	H122 black
Foot Color	P112 silver	P121 white	P114 black
Grommet Color	P112 silver	P121 white	P114 black

Code	Price	H (in.)	W (in.)	D 1 (in.)	Weight (lb)	Volume (ft ³)
Left Hand						
F-CRCH-284818-L	1648	28	48	18	69.12	14
F-CRCH-285418-L	1708	28	54	18	77.76	15.75
F-CRCH-286018-L	1810	28	60	18	86.4	17.5
F-CRCH-286618-L	1870	28	66	18	95.04	19.25
F-CRCH-287218-L	1971	28	72	18	103.68	21
Right Hand						
F-CRCH-284818-R	1648	28	48	18	69.12	14
F-CRCH-285418-R	1708	28	54	18	77.76	15.75
F-CRCH-286018-R	1810	28	60	18	86.4	17.5
F-CRCH-286618-R	1870	28	66	18	95.04	19.25
F-CRCH-287218-R	1971	28	72	18	103.68	21



What's Included:

Open low credenza

How to Specify:

Body refers to the top, side and back panels of the open low credenza.

Feet are finished in silver, black or white powder coat.

Notes:

Open low credenza is available in 48", 54", 60", 66" & 72" widths.

Open low credenza is available in 18" depth.

Open low credenza top mount worksurface support enables the credenza to support the end of a worksurface(s).

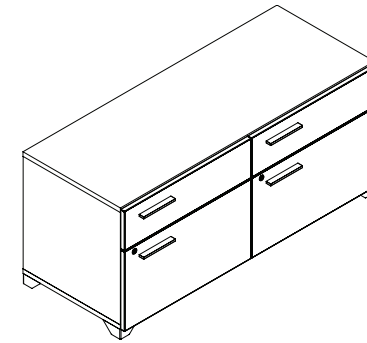
Open shelf provides storage space for books, binders, and boxes, as well as large personal items such as backpacks and briefcases.

Four levelers with a leveling range of 2.5-inches are included.

Options:

Width	48", 60", 72"		
Body Laminate	laminate color		
Foot Color	P112 silver	P121 white	P114 black

Code	Price	H (in.)	W (in.)	D 1 (in.)	Weight (lb)	Volume (ft ³)
F-CROL-224818	950	22	48	18	38.02	11
F-CROL-225418	1008	22	54	18	42.77	12.38
F-CROL-226018	1062	22	60	18	47.52	13.75
F-CROL-226618	1117	22	66	18	52.27	15.13
F-CROL-227218	1170	22	72	18	57.02	16.5



What's Included:

Enclosed low credenza (box/file drawer configuration) (1), and keys for lock (4)

How to Specify:

Body refers to the top, side and back panels of the enclosed low credenza.

Face refers to the drawer front of the enclosed low credenza.

Drawer handles are finished in silver, black or white powder coat.

Feet are finished in silver, black or white powder coat.

Enclosed low credenza can be keyed alike or keyed randomly for a workstation.

Lock is available in satin silver metal only.

Notes:

Enclosed low credenza is available in 48", 60" & 72" widths.

Enclosed low credenza top mount worksurface support enables the credenza to support the end of a worksurface(s).

Available with side-by-side box/file drawer configuration.

Two box drawers provide general storage space.

Two file drawer accommodate either legal paper or letter paper hanging folders.

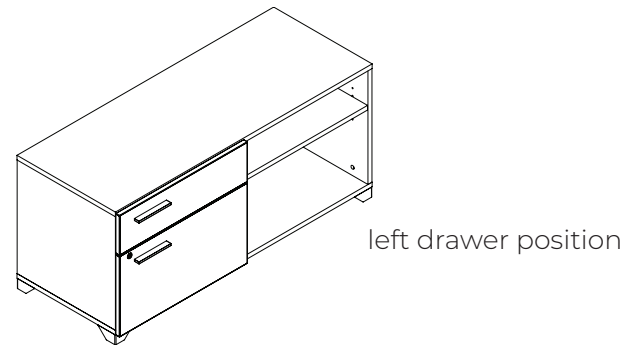
Metal handles on the drawers are standard.

Four levelers with a leveling range of 2.5-inches are included.

Options:

Width	48", 60", 72"		
Drawer position	L left	R right	
Body Laminate	laminate color		
Face Laminate	laminate color		
Handle Color	H112 silver	H121 white	H122 black
Foot Color	P112 silver	P121 white	P114 black

Code	Price	H (in.)	W (in.)	D 1 (in.)	Weight (lb)	Volume (ft ³)
F-CREL-224818-L	2067	22	48	18	76.03	11
F-CREL-226018-L	2229	22	60	18	95.04	13.75
F-CREL-227218-L	2402	22	72	18	114.05	16.5
F-CREL-224818-R	2067	22	48	18	76.03	11
F-CREL-226018-R	2229	22	60	18	95.04	13.75
F-CREL-227218-R	2402	22	72	18	114.05	16.5



What's Included:

Combo low credenza (open shelf and box/file drawer configuration) (1), and keys for lock (2).

How to Specify:

Specify drawer position to be on the side/end of the credenza that is not supporting a work surface.

Body refers to the top, side and back panels of the combo low credenza.

Face refers to the drawer front of the combo low credenza.

Drawer handles are finished in silver, black or white powder coat.

Feet are finished in silver, black or white powder coat.

Combo high credenza can be keyed alike or keyed randomly for a workstation.

Lock is available in satin silver metal only.

Notes:

Combo low credenza is available in 48", 54", 60", 66" & 72" widths.

Combo low credenza top mount work surface support enables the credenza to support the end of a work surface(s).

Available with open shelf and box/file drawer configuration located on the left or right side of the credenza.

Open shelf provides storage space for books, binders, and boxes, as well as large personal items such as backpacks and briefcases.

One box drawer provides general storage space.

One file drawer accommodates either legal paper or letter paper hanging folders.

Metal handles on the drawers are standard.

Four levelers with a leveling range of 2.5-inches are included.

Options:

Width	48", 54", 60", 66", 72"		
Drawer position	L left	R right	
Body Laminate	laminate color		
Face Laminate	laminate color		
Handle Color	H112 silver	H121 white	H122 black
Foot Color	P112 silver	P121 white	P114 black

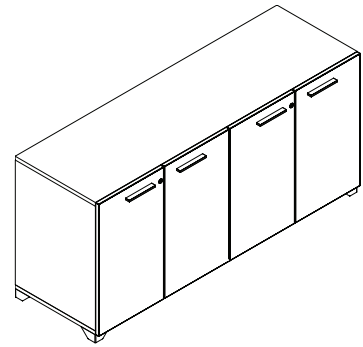
Code	Price	H (in.)	W (in.)	D 1 (in.)	Weight (lb)	Volume (ft ³)
Left Drawer						
F-CRCL-224818-L	1480	22	48	18	54.31	11
F-CRCL-225418-L	1538	22	54	18	61.1	12.38
F-CRCL-226018-L	1618	22	60	18	67.89	13.75
F-CRCL-226618-L	1672	22	66	18	74.67	15.13
F-CRCL-227218-L	1758	22	72	18	81.46	16.5
Right Drawer						
F-CRCL-224818-R	1480	22	48	18	54.31	11
F-CRCL-225418-R	1538	22	54	18	61.1	12.38
F-CRCL-226018-R	1618	22	60	18	67.89	13.75
F-CRCL-226618-R	1672	22	66	18	74.67	15.13
F-CRCL-227218-R	1758	22	72	18	81.46	16.5



Scene Pricebook
Oct 2023
Cabinets

cabinet

<u>4 door laminate</u>	<u>78</u>
<u>4 door acrylic</u>	<u>79</u>
<u>2 door laminate</u>	<u>80</u>
<u>2 door acrylic</u>	<u>81</u>



What's Included:

4 door cabinet and keys for locks.

How to Specify:

Body refers to the top, side and back panels of the 4 door cabinet.

Face refers to the drawer front of the 4 door cabinet.

Drawer handles are finished in silver, black or white powder coat.

Feet are finished in silver, black or white powder coat.

4 door cabinet can be keyed alike or keyed randomly for a workstation.

Lock is available in satin silver metal only.

Notes:

4 door cabinet is available in 60" 66" & 72" widths.

Metal handles on the drawers are standard.

Four levelers with a leveling range of 2.5-inches are included.

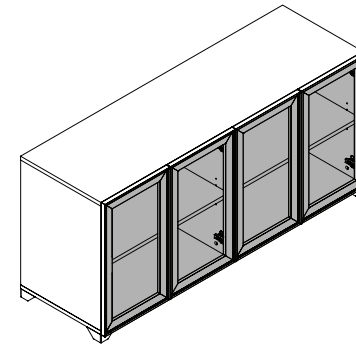
Options:

Width	60", 66", 72"		
Drawer position	L left	R right	
Body Laminate	laminate color		
Face Laminate	laminate color		
Handle Color	H112 silver	H121 white	H122 black
Foot Color	P112 silver	P121 white	P114 black

How to Order and Read your Code:

F **CROH** **28** **30** **18**
 product line item height width depth

Code	Price	H (in.)	W (in.)	D 1 (in.)	Weight (lb)	Volume (ft ³)
F-FS4L-286018	1812	28	60	18	100.8	17.5
F-FS4L-286618	1885	28	66	18	105.8	19.25
F-FS4L-287218	1957	28	72	18	120.96	21



What's Included:

4 door cabinet with acrylic doors.

How to Specify:

Body refers to the top, side and back panels of the 4 door cabinet.

Feet are finished in silver, black or white powder coat.

Notes:

4 door cabinet is available in 60", 66" & 72" widths.

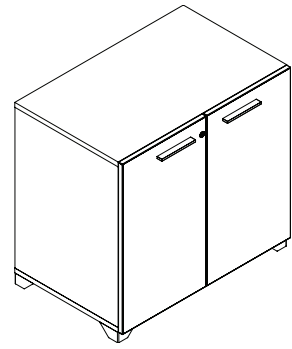
Doors are available in frost acrylic

Four levelers with a leveling range of 2.5-inches are included.

Options:

Width	60", 66", 72"		
Depth	18"		
Body Laminate	laminate color		
Acrylic doors	F frosted		
Foot Color	P112 silver	P121 white	P114 black

Code	Price	H (in.)	W (in.)	D 1 (in.)	Weight (lb)	Volume (ft ³)
F-FS4G-286018-F	3246	28	60	18	100.8	17.5
F-FS4G-286618-F	3370	28	66	18	105.8	19.25
F-FS4G-287218-F	3495	28	72	18	120.96	21



What's Included:

2 door cabinet and keys for lock.

How to Specify:

Body refers to the top, side and back panels of the 2 door cabinet.

Face refers to the drawer front of the 2 door cabinet.

Drawer handles are finished in silver, black or white powder coat.

Feet are finished in silver, black or white powder coat.

2 door cabinet can be keyed alike or keyed randomly for a workstation.

Lock is available in satin silver metal only.

Notes:

2 door cabinet is available in 30", 36" & 42" widths.

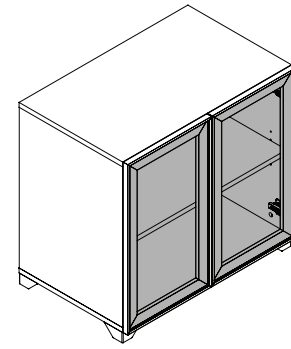
Metal handles on the drawers are standard.

Four levelers with a leveling range of 2.5-inches are included.

Options:

Width	30", 36", 42"		
Drawer position	L left	R right	
Body Laminate	laminate color		
Face Laminate	laminate color		
Handle Color	H112 silver	H121 white	H122 black
Foot Color	P112 silver	P121 white	P114 black

Code	Price	H (in.)	W (in.)	D 1 (in.)	Weight (lb)	Volume (ft ³)
F-FS2L-283018	1092	28	30	18	50.4	8.75
F-FS2L-283618	1177	28	36	18	60.48	10.5
F-FS2L-284218	1266	28	42	18	70.56	12.25



What's Included:

2 door cabinet with acrylic doors.

How to Specify:

Body refers to the top, side and back panels of the 2 door cabinet.

Feet are finished in silver, black or white powder coat.

Notes:

2 door cabinet is available in 30", 36" & 42" widths.

Doors are available in frost acrylic

Four levelers with a leveling range of 2.5-inches are included.

Options:

Width	30", 36", 42"		
Acrylic doors	F frosted		
Body Laminate	laminate color		
Foot Color	P112 silver	P121 white	P114 black

Code	Price	H (in.)	W (in.)	D 1 (in.)	Weight (lb)	Volume (ft ³)
F-FS2G-283018-F	1807	28	30	18	50.4	8.75
F-FS2G-283618-F	1946	28	36	18	60.48	10.5
F-FS2G-284218-F	2083	28	42	18	70.56	12.25

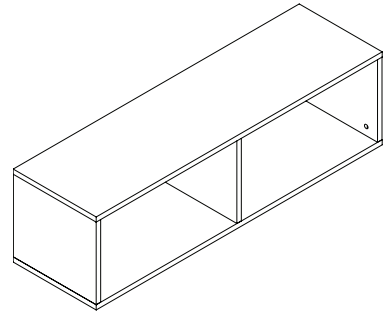


Scene Pricebook
Oct 2023

Flag Storage

flag storage

<u>open shelf</u>	84
<u>shared open shelf</u>	86
<u>left side flag storage</u>	87
<u>right side flag storage</u>	88



What's Included:

Open cabinet(1)

How to Specify:

Body refers to the top, side and back panels of the 4 door cabinet.

Face refers to the drawer front of the 4 door cabinet.

Drawer handles are finished in silver, black or white powder coat.

Feet are finished in silver, black or white powder coat.

4 door cabinet can be keyed alike or keyed randomly for a workstation.

Body refers to the top, side and back panels of the flag storage.

Notes:

Flag storage is available in 48", 54", 60", 66" & 72" widths.

Flag storage backing is available in solid laminate, frosted and tackboard.

Open shelf provides storage space for books, binders, and boxes.

Options:

Width 60", 66", 72"

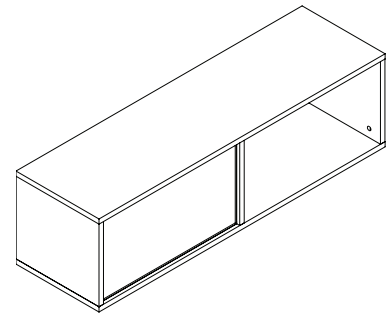
Body Laminate laminate color

Shelf backing **S** solid **F** frosted **T** tackboard

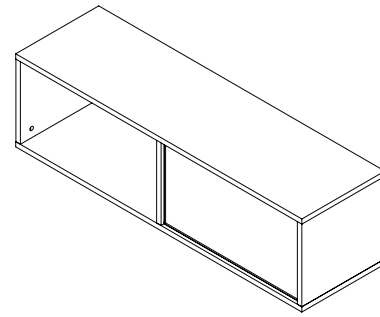
How to Order and Read your Code:

F **FS00** **14** **60** **14** **X**
 product line item height width depth shelf backing

Code	Price	H (in.)	W (in.)	D 1 (in.)	Weight (lb)	Volume (ft ³)
solid						
F-SFOO-144814-S	541	14	48	14	31.36	5.44
F-SFOO-145414-S	578	14	54	14	35.28	6.13
F-SFOO-146014-S	616	14	60	14	39.2	6.81
F-SFOO-146614-S	653	14	66	14	43.12	7.49
F-SFOO-147214-S	691	14	72	14	47.04	8.17
frosted acrylic						
F-SFOO-144814-F	703	14	48	14	31.36	5.44
F-SFOO-145414-F	765	14	54	14	35.28	6.13
F-SFOO-146014-F	823	14	60	14	39.2	6.81
F-SFOO-146614-F	882	14	66	14	43.12	7.49
F-SFOO-147214-F	942	14	72	14	47.04	8.17
tackboard						
F-SFOO-144814-T	699	14	48	14	31.36	5.44
F-SFOO-145414-T	750	14	54	14	35.28	6.13
F-SFOO-146014-T	801	14	60	14	39.2	6.81
F-SFOO-146614-T	854	14	66	14	43.12	7.49
F-SFOO-147214-T	903	14	72	14	47.04	8.17



right side open - SFSO



left side open - SFOS

What's Included:

Open cabinet(1)

How to Specify:

Body refers to the top, side and back panels of the flag storage.

Notes:

Flag storage is available in 48", 54", 60", 66" & 72" widths.

Flag storage backing is available in solid laminate, frosted acrylic and tackboard.

Open shelf provides storage space for books, binders, and boxes.

Options:

Open shelf side	OS left	SO right
Width	48", 54", 60", 66", 72"	
Body Laminate	laminate color	
Shared backing	S solid	F frosted T tackboard

left side flag storage

Code	Price	H (in.)	W (in.)	D 1 (in.)	Weight (lb)	Volume (ft ³)
solid						
F-SFSO-144814-S	568	14	48	14	31.36	5.44
F-SFSO-145414-S	605	14	54	14	35.28	6.13
F-SFSO-146014-S	646	14	60	14	39.2	6.81
F-SFSO-146614-S	680	14	66	14	43.12	7.49
F-SFSO-147214-S	721	14	72	14	47.04	8.17
frosted acrylic						
F-SFSO-144814-F	727	14	48	14	31.36	5.44
F-SFSO-145414-F	785	14	54	14	35.28	6.13
F-SFSO-146014-F	847	14	60	14	39.2	6.81
F-SFSO-146614-F	903	14	66	14	43.12	7.49
F-SFSO-147214-F	964	14	72	14	47.04	8.17
tackboard						
F-SFSO-144814-T	787	14	48	14	31.36	5.44
F-SFSO-145414-T	836	14	54	14	35.28	6.13
F-SFSO-146014-T	890	14	60	14	39.2	6.81
F-SFSO-146614-T	942	14	66	14	43.12	7.49
F-SFSO-147214-T	993	14	72	14	47.04	8.17

right side flag storage

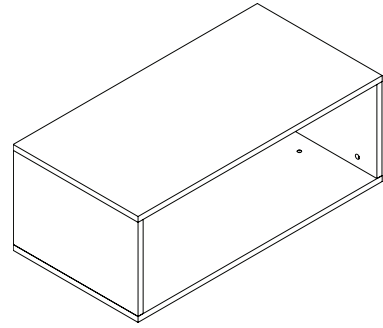
Code	Price	H (in.)	W (in.)	D 1 (in.)	Weight (lb)	Volume (ft ³)
solid						
F-SFOS-144814-S	568	14	48	14	31.36	5.44
F-SFOS-145414-S	605	14	54	14	35.28	6.13
F-SFOS-146014-S	646	14	60	14	39.2	6.81
F-SFOS-146614-S	680	14	66	14	43.12	7.49
F-SFOS-147214-S	721	14	72	14	47.04	8.17
frosted acrylic						
F-SFOS-144814-F	727	14	48	14	31.36	5.44
F-SFOS-145414-F	785	14	54	14	35.28	6.13
F-SFOS-146014-F	847	14	60	14	39.2	6.81
F-SFOS-146614-F	903	14	66	14	43.12	7.49
F-SFOS-147214-F	964	14	72	14	47.04	8.17
tackboard						
F-SFOS-144814-T	787	14	48	14	31.36	5.44
F-SFOS-145414-T	836	14	54	14	35.28	6.13
F-SFOS-146014-T	890	14	60	14	39.2	6.81
F-SFOS-146614-T	942	14	66	14	43.12	7.49
F-SFOS-147214-T	993	14	72	14	47.04	8.17



Scene Pricebook
Oct 2023
**Credenza Mount
Storage**

credenza mount storage

<u>single level - open shelf</u>	92
<u>single level - frosted sliding door</u>	94
<u>double level - open shelf</u>	96
<u>double level - open shelf/hinged door</u>	97
<u>double level - open shelf/frost door</u>	98
<u>double level - frost acrylic hinged door</u>	100
<u>double level - hinged door</u>	102



What's Included:

single level credenza mounted open shelf (1)

How to Specify:

Body refers to the top, side and back panels of the single level credenza mounted open shelf storage.

Notes:

Credenza mounted storage is available in 36", 48", 54", 60", 66" & 72" widths.

Credenza mounted storage backing is available in solid laminate, frosted acrylic and tackboard.

Open shelf provides storage space for books, binders, and boxes

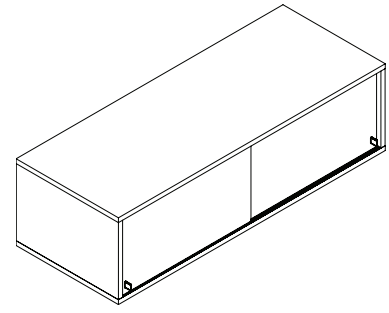
Options:

Width	36", 42", 48", 54", 60", 66", 72"		
Backing	S solid	F frosted	T tackboard
Body Laminate	laminate color		

How to Order and Read your Code:

F	CSOO	14	60	18	X
product line	item	height	width	depth	backing

Code	Price	H (in.)	W (in.)	D 1 (in.)	Weight (lb)	Volume (ft ³)	Code	Price	H (in.)	W (in.)	D 1 (in.)	Weight (lb)	Volume (ft ³)
solid							tackboard						
F-CSOO-143618-S	428	14	36	18	30.24	5.25	F-CSOO-143618-T	560	14	36	18	30.24	5.25
F-CSOO-144218-S	521	14	42	18	35.28	6.13	F-CSOO-144218-T	667	14	42	18	35.28	6.13
F-CSOO-144818-S	558	14	48	18	40.32	7	F-CSOO-144818-T	716	14	48	18	40.32	7
F-CSOO-145418-S	596	14	54	18	45.36	7.88	F-CSOO-145418-T	770	14	54	18	45.36	7.88
F-CSOO-146018-S	633	14	60	18	50.4	8.75	F-CSOO-146018-T	822	14	60	18	50.4	8.75
F-CSOO-146618-S	674	14	66	18	55.44	9.63	F-CSOO-146618-T	873	14	66	18	55.44	9.63
F-CSOO-147218-S	711	14	72	18	60.48	10.5	F-CSOO-147218-T	927	14	72	18	60.48	10.5
frosted acrylic													
F-CSOO-143618-F	548	14	36	18	30.24	5.25							
F-CSOO-144218-F	666	14	42	18	35.28	6.13							
F-CSOO-144818-F	726	14	48	18	40.32	7							
F-CSOO-145418-F	784	14	54	18	45.36	7.88							
F-CSOO-146018-F	845	14	60	18	50.4	8.75							
F-CSOO-146618-F	902	14	66	18	55.44	9.63							
F-CSOO-147218-F	963	14	72	18	60.48	10.5							



What's Included:

single level credenza mounted storage(1)

How to Specify:

Body refers to the top, side and back panels of the single level credenza mounted storage.

Sliding door handles are available in Tayco leather

Notes:

Credenza mounted storage is available in 48", 54", 60", 66" & 72" widths.

Credenza mounted storage backing is available in solid laminate, frosted acrylic and tackboard.

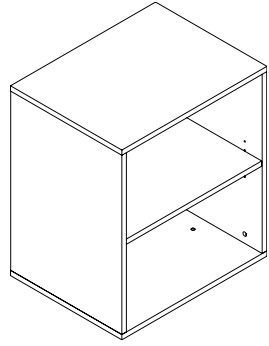
Sliding doors with leather handles provide an enclosed storage area conceal contents.

Sliding doors are available in frost and spider acrylic.

Options:

Acrylic sliding door	F frosted
Width	48", 54", 60", 66", 72"
Backing	S solid F frosted T tackboard
Body Laminate	laminate color
Sliding Door Handle Color	leather color

Code	Price	H (in.)	W (in.)	D 1 (in.)	Weight (lb)	Volume (ft ³)
single level - frosted sliding door						
solid						
F-CSSF-144818-S	1052	14	48	18	48.38	7
F-CSSF-145418-S	1123	14	54	18	54.43	7.88
F-CSSF-146018-S	1194	14	60	18	60.48	8.75
F-CSSF-146618-S	1260	14	66	18	66.53	9.63
F-CSSF-147218-S	1330	14	72	18	72.58	10.5
frosted						
F-CSSF-144818-F	1217	14	48	18	48.38	7
F-CSSF-145418-F	1306	14	54	18	54.43	7.88
F-CSSF-146018-F	1398	14	60	18	60.48	8.75
F-CSSF-146618-F	1489	14	66	18	66.53	9.63
F-CSSF-147218-F	1581	14	72	18	72.58	10.5
tackboard						
F-CSSF-144818-T	1208	14	48	18	48.38	7
F-CSSF-145418-T	1294	14	54	18	54.43	7.88
F-CSSF-146018-T	1377	14	60	18	60.48	8.75
F-CSSF-146618-T	1460	14	66	18	66.53	9.63
F-CSSF-147218-T	1546	14	72	18	72.58	10.5



What's Included:

Double level cabinet (1)

How to Specify:

Body refers to the top, side and back panels of the double level cabinet.

Notes:

Double level cabinet is available in 24", 30", 36", 42" & 48" widths.

Double level cabinet backing is available in solid laminate and tackboard.

Open shelf provides storage space for books, binders, and boxes.

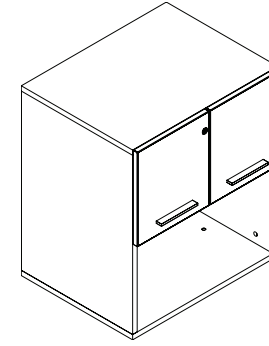
Options:

Width 24", 30", 36", 42", 48"

Backing **S** solid **T** tackboard

Body Laminate laminate color

Code	Price	H (in.)	W (in.)	D 1 (in.)	Weight (lb)	Volume (ft ³)
solid						
F-CDOO-272418-S	525	27	24	18	33.33	6.75
F-CDOO-273018-S	584	27	30	18	41.66	8.44
F-CDOO-273618-S	642	27	36	18	49.99	10.13
F-CDOO-274218-S	700	27	42	18	58.32	11.81
F-CDOO-274818-S	751	27	48	18	66.65	13.5
Tackboard						
F-CDOO-272418-T	673	27	24	18	33.33	6.75
F-CDOO-273018-T	751	27	30	18	41.66	8.44
F-CDOO-273618-T	829	27	36	18	49.99	10.13
F-CDOO-274218-T	908	27	42	18	58.32	11.81



What's Included:

Double level cabinet with hinged doors and an open bottom shelf(1), and keys for lock.

How to Specify:

Body refers to the top, side and back panels of the double level cabinet.

Face refers to the door front of the double level cabinet

Drawer handles are finished in silver, black or white powder coat.

Double level cabinet with hinged doors can be keyed alike or keyed randomly for a workstation.

Lock is available in satin silver metal only.

Options:

Width 24", 30", 36", 42"

Handle Color **H112** silver **H121** white **H122** black

Backing **S** solid **T** tackboard

Body Laminate laminate color

Face Laminate laminate color

Notes:

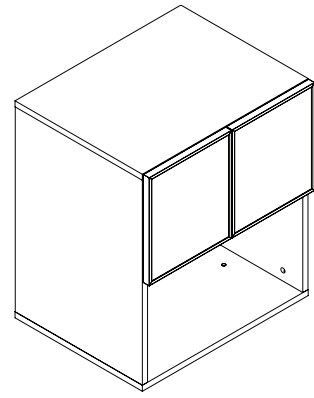
Double level cabinet is available in 24", 30", 36" & 42" widths.

Double level cabinet backing is available in solid laminate and tackboard.

Open shelf provides storage space for books, binders, and boxes.

Metal handles on the drawers are standard.

Code	Price	H (in.)	W (in.)	D 1 (in.)	Weight (lb)	Volume (ft ³)
solid						
F-CDDS-272418-S	847	27	24	18	33.33	6.75
F-CDDS-273018-S	914	27	30	18	41.66	8.44
F-CDDS-273618-S	983	27	36	18	49.99	10.13
F-CDDS-274218-S	1054	27	42	18	58.32	11.81
Tackboard						
F-CDDS-272418-T	923	27	24	18	33.33	6.75
F-CDDS-273018-T	1013	27	30	18	41.66	8.44
F-CDDS-273618-T	1101	27	36	18	49.99	10.13
F-CDDS-274218-T	1195	27	42	18	58.32	11.81



What's Included:

Double level cabinet with acrylic hinged doors and an open bottom shelf (1)

How to Specify:

Body refers to the top, side and back panels of the double level cabinet.

Notes:

Double level cabinet is available in 24", 30", 36" & 42" widths.

Double level cabinet backing is available in solid laminate and tackboard.

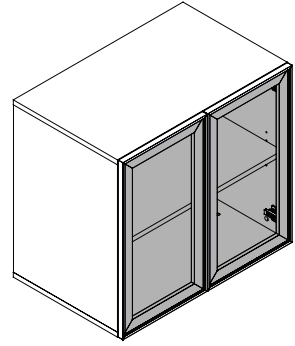
Doors are available in frost acrylic

Open shelf provides storage space for books, binders, and boxes.

Options:

Acrylic sliding door	F frosted
Width	24", 30", 36", 42"
Depth	18"
Backing	S solid T tackboard
Body Laminate	laminate color

Code	Price	H (in.)	W (in.)	D 1 (in.)	Weight (lb)	Volume (ft ³)
double level - open shelf/frost door						
solid						
F-CDDF-272418-S	1466	27	24	18	33.33	6.75
F-CDDF-273018-S	1574	27	30	18	41.66	8.44
F-CDDF-273618-S	1689	27	36	18	49.99	10.13
F-CDDF-274218-S	1800	27	42	18	58.32	11.81
tackboard						
F-CDDF-272418-T	1613	27	24	18	33.33	6.75
F-CDDF-273018-T	1745	27	30	18	41.66	8.44
F-CDDF-273618-T	1876	27	36	18	49.99	10.13
F-CDDF-274218-T	2006	27	42	18	58.32	11.81



What's Included:

Double level cabinet with acrylic hinged doors(1)

How to Specify:

Body refers to the top, side and back panels of the double level cabinet.

Notes:

Double level cabinet is available in 30", 36", 42" & 48" widths.

Double level cabinet backing is available in solid laminate and tackboard.

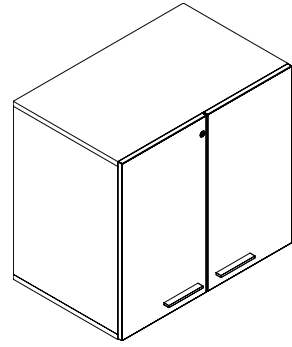
Doors are available in frost acrylic

Metal handles on the drawers are standard.

Options:

Acrylic sliding door	F frosted
Width	24", 30", 36", 42"
Depth	18"
Backing	S solid T tackboard
Body Laminate	laminate color

Code	Price	H (in.)	W (in.)	D 1 (in.)	Weight (lb)	Volume (ft ³)
double level - frost acrylic hinged door						
solid						
F-CDHF-273018-S	1830	27	30	18	38.88	8.44
F-CDHF-273618-S	1972	27	36	18	46.66	10.13
F-CDHF-274218-S	2112	27	42	18	54.43	11.81
F-CDHF-274818-S	2250	27	48	18	62.21	13.5
tackboard						
F-CDHF-273018-T	1999	27	30	18	38.88	8.44
F-CDHF-273018-T	1999	27	30	18	46.66	10.13
F-CDHF-273018-T	1999	27	30	18	54.43	11.81
F-CDHF-273018-T	1999	27	30	18	62.21	13.5



What's Included:

Double level cabinet with hinged doors(1), and keys for lock.

How to Specify:

Body refers to the top, side and back panels of the double level cabinet.

Face refers to the door front of the double level cabinet.

Drawer handles are finished in silver, black or white powder coat.

Double level cabinet with hinged doors can be keyed alike or keyed randomly for a workstation.

Lock is available in satin silver metal only.

Options:

Width	30", 36", 42", 48"		
Backing	S solid	T tackboard	
Body Laminate	laminate color		
Face Laminate	laminate color		
Handle Color	H112 silver	H121 white	H122 black

Code	Price	H (in.)	W (in.)	D 1 (in.)	Weight (lb)	Volume (ft ³)
solid						
F-CDHS-273018-S	971	27	30	18	38.88	8.44
F-CDHS-273618-S	1051	27	36	18	46.66	10.13
F-CDHS-274218-S	1126	27	42	18	54.43	11.81
F-CDHS-274818-S	1198	27	48	18	62.21	13.5
Tackboard						
F-CDHS-273618-T	1166	27	36	18	38.88	8.44
F-CDHS-274218-T	1266	27	42	18	46.66	10.13
F-CDHS-274818-T	1350	27	48	18	54.43	11.81
F-CDHS-273018-T	1071	27	30	18	62.21	13.5

Notes:

Double level cabinet is available in 30", 36", 42" & 48" widths.

Double level cabinet backing is available in solid laminate and tackboard.

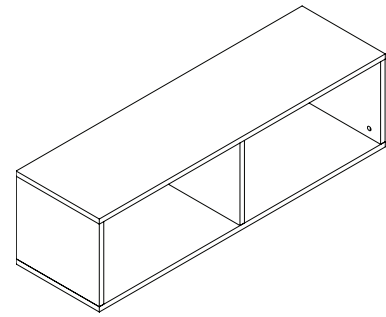
Metal handles on the drawers are standard.



Scene Pricebook
Oct 2023
**Wall Mounted
Storage**

wall mounted storage

<u>open shelf</u>	106
<u>hinged door hutch</u>	107
<u>frost acrylic hinged door hutch</u>	108



What's Included:

Wall mounted open shelf (1) **How to Specify:**
Body refers to the top, side and back panels of the wall mounted open shelf.

Notes:

Wall mounted storage is available in 36", 48", 54", 60", 66" & 72" widths.
Open shelf provides storage space for books, binders, and boxes.

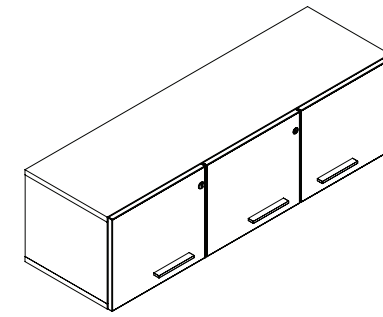
Options:

Width 36", 42", 48", 54", 60", 66", 72"
Body Laminate laminate color

How to Order and Read your Code:

F **SWOO** **14** **54** **14** **S**
product line item height width depth back

Code	Price	H (in.)	W (in.)	D 1 (in.)	Weight (lb)	Volume (ft ³)
F-SWOO-143614-S	472	14	36	14	21.6	4.08
F-SWOO-144214-S	517	14	42	14	25.2	4.76
F-SWOO-144814-S	605	14	48	14	28.8	5.44
F-SWOO-145414-S	651	14	54	14	32.4	6.13
F-SWOO-146014-S	694	14	60	14	36	6.81
F-SWOO-146614-S	738	14	66	14	39.6	7.49
F-SWOO-147214-S	782	14	72	14	43.2	8.17



What's Included:

Wall mounted shelf with hinged doors (1), and keys for lock.

How to Specify:

Body refers to the top, side and back panels of the wall mounted storage.
Face refers to the door front of the all mounted storage.

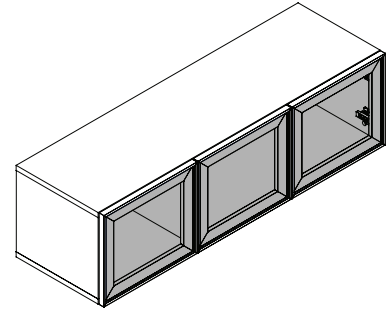
Notes:

Wall mounted storage is available in 36", 48", 54", 60", 66" & 72" widths.
Metal handles on the drawers are standard.

Options:

Width 36", 42", 48", 54", 60", 66", 72"
Body Laminate laminate color
Face Laminate laminate color
Handle Color **H112** silver **H121** white **H122** black

Code	Price	H (in.)	W (in.)	D 1 (in.)	Weight (lb)	Volume (ft ³)
F-SWHS-143614-S	745	14	36	14	21.6	4.08
F-SWHS-144214-S	801	14	42	14	25.2	4.76
F-SWHS-144814-S	1020	14	48	14	28.8	5.44
F-SWHS-145414-S	1079	14	54	14	32.4	6.13
F-SWHS-146014-S	1266	14	60	14	36	6.81
F-SWHS-146614-S	1322	14	66	14	39.6	7.49
F-SWHS-147214-S	1377	14	72	14	43.2	8.17



What's Included:

Wall mounted shelf with hinged doors (1)

How to Specify:

Body refers to the top, side and back panels of the wall mounted open storage.

Notes:

Wall mounted storage is available in 36", 48", 54", 60", 66" & 72" widths.

Doors are available in frost and spider acrylic

Options:

Acrylic hinged door	F frosted
Width	36", 48", 54", 60", 66", 72"
Body Laminate	laminate color
Face laminate	laminate color

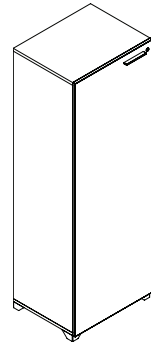
Code	Price	H (in.)	W (in.)	D 1 (in.)	Weight (lb)	Volume (ft ³)
frost acrylic hinged door hutch						
F-SWHF-143614-S	1532	14	36	14	21.6	4.08
F-SWHF-144214-S	1631	14	42	14	25.2	4.76
F-SWHF-144814-S	2145	14	48	14	28.8	5.44
F-SWHF-145414-S	2243	14	54	14	32.4	6.13
F-SWHF-146014-S	2757	14	60	14	36	6.81
F-SWHF-146614-S	2857	14	66	14	39.6	7.49
F-SWHF-147214-S	2954	14	72	14	43.2	8.17



Scene Pricebook
Oct 2023
Towers

tower

<u>closet</u>	112
<u>acrylic door closet</u>	113
<u>storage</u>	114
<u>acrylic door storage</u>	116
<u>combo storage - closet / cabinet</u>	118
<u>acrylic door cabinet / combo storage - closet</u>	119
<u>combo storage - closet / BBF / cabinet</u>	120
<u>acrylic door cabinet / BBF / combo storage - closet</u>	121
<u>combo storage - closet / FF / cabinet</u>	122
<u>combo storage - closet / FF / acrylic door cabinet</u>	124



left hand shown

What's Included:

Tower closet with hinged door and keys for lock.

How to Specify:

Body refers to the top, side and back panels of the tower closet.

Face refers to the door front of the tower closet.

Handle is finished in silver, black or white powder coat.

Feet are finished in silver, black or white powder coat. Closet can be keyed alike or keyed randomly for a workstation.

Lock is available in satin silver metal only.

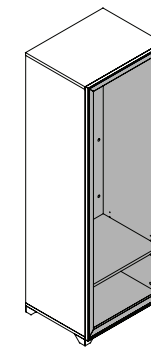
Options:

Height	56", 70"
Depth	18", 24"
Door hinged side	L left R right
Body Laminate	laminate color
Face Laminate	laminate color
Handle Color	H112 silver H121 white H122 black

How to Order and Read your Code:

F **FTCS** **54** **24** **18** **L**
 product line item height width depth door hinged side

Code	Price	H (in.)	W (in.)	D 1 (in.)	Weight (lb)	Volume (ft ³)
F-FTCF-562418-L	2193	56	24	18	40.32	14
F-FTCF-562418-R	2193	56	24	18	40.32	14
F-FTCF-562424-L	2198	56	24	24	53.76	18.67
F-FTCF-562424-R	2198	56	24	24	53.76	18.67
F-FTCF-702418-L	2464	70	24	18	50.4	17.5
F-FTCF-702418-R	2464	70	24	18	50.4	17.5
F-FTCF-702424-L	2478	70	24	24	67.2	23.33
F-FTCF-702424-R	2478	70	24	24	67.2	23.33



left hand shown

What's Included:

Tower closet with acrylic hinged door

How to Specify:

Body refers to the top, side and back panels of the tower closet.

Feet are finished in silver, black or white powder coat.

Tower closet can be keyed alike or keyed randomly for a workstation.

Lock is available in satin silver metal only.

Options:

Acrylic door	F frosted
Height	56", 70"
Depth	18", 24"
Door hinged side	L left R right
Body Laminate	laminate color
Face Laminate	laminate color

Notes:

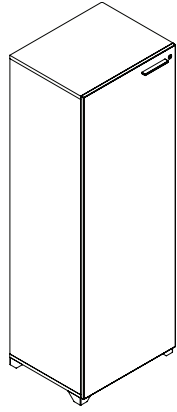
Tower closet is available in 56" & 70" heights.

Tower closet is available in 18" & 24" depths.

Door is available in frost acrylic

Four levelers with a leveling range of 2.5-inches are included.

Code	Price	H (in.)	W (in.)	D 1 (in.)	Weight (lb)	Volume (ft ³)
F-FTCS-562418-L	1405	56	24	18	40.32	14
F-FTCS-562418-R	1405	56	24	18	40.32	14
F-FTCS-562424-L	1407	56	24	24	53.76	18.67
F-FTCS-562424-R	1407	56	24	24	53.76	18.67
F-FTCS-702418-L	1546	70	24	18	50.4	17.5
F-FTCS-702418-R	1546	70	24	18	50.4	17.5
F-FTCS-702424-L	1558	70	24	24	67.2	23.33
F-FTCS-702424-R	1558	70	24	24	67.2	23.33



left hand shown

What's Included:

Tower storage with hinged door and keys for lock.

How to Specify:

Body refers to the top, side and back panels of the storage tower.

Face refers to the door front of the storage tower.

Handle is finished in silver, black or white powder coat.

Feet are finished in silver, black or white powder coat.

Tower storage can be keyed alike or keyed randomly for a workstation.

Lock is available in satin silver metal only.

Notes:

Tower storage is available in 56" & 70" heights.

Tower storage is available in 18" & 24" widths.

Tower storage is available in 18" & 24" depths.

Metal handles on the drawers are standard.

Four levelers with a leveling range of 2.5-inches are included.

Options:

Height 56", 70"

Width 18", 24"

Depth 18", 24"

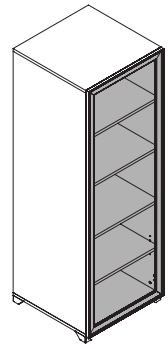
Door hinged side **L** left **R** right

Body Laminate laminate color

Face Laminate laminate color

Handle Color **H112** silver **H121** white **H122** black

Code	Price	H (in.)	W (in.)	D 1 (in.)	Weight (lb)	Volume (ft ³)
F-FTSS-561818-L	1304	56	18	18	36.29	10.5
F-FTSS-561818-R	1304	56	18	18	36.29	10.5
F-FTSS-561824-L	1399	56	18	24	48.38	14
F-FTSS-561824-R	1399	56	18	24	48.38	14
F-FTSS-562418-L	1437	56	24	18	48.38	14
F-FTSS-562418-R	1437	56	24	18	48.38	14
F-FTSS-562424-L	1544	56	24	24	64.51	18.67
F-FTSS-562424-R	1544	56	24	24	64.51	18.67
F-FTSS-701818-L	1489	70	18	18	45.36	13.13
F-FTSS-701818-R	1489	70	18	18	45.36	13.13
F-FTSS-701824-L	1602	70	18	24	60.48	17.5
F-FTSS-701824-R	1602	70	18	24	60.48	17.5
F-FTSS-702418-L	1646	70	24	18	60.48	17.5
F-FTSS-702418-R	1646	70	24	18	60.48	17.5
F-FTSS-702424-L	1775	70	24	24	80.64	23.33
F-FTSS-702424-R	1775	70	24	24	80.64	23.33



left hand shown

What's Included:

Tower storage with acrylic hinged door.

How to Specify:

Body refers to the top, side and back panels of the tower closet.

Feet are finished in silver, black or white powder coat.

Notes:

Tower storage is available in 56" & 70" heights.

Tower storage is available in 18" & 24" depths.

Door is available in frost acrylic

Four levelers with a leveling range of 2.5-inches are included.

Options:

Acrylic door **F** frosted

Height 56", 70"

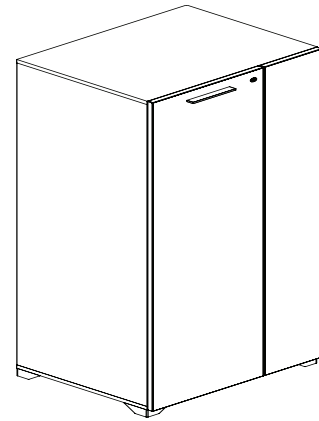
Depth 18", 24"

Door hinged side **L** left **R** right

Body Laminate laminate color

Face Laminate laminate color

Code	Price	H (in.)	W (in.)	D 1 (in.)	Weight (lb)	Volume (ft ³)
frost						
F-FTSF-561818-L	1983	56	18	18	36.29	10.5
F-FTSF-561818-R	1983	56	18	18	36.29	10.5
F-FTSF-561824-L	2077	56	18	24	48.38	14
F-FTSF-561824-R	2077	56	18	24	48.38	14
F-FTSF-562418-L	2224	56	24	18	48.38	14
F-FTSF-562418-R	2224	56	24	18	48.38	14
F-FTSF-562424-L	2331	56	24	24	64.51	18.67
F-FTSF-562424-R	2331	56	24	24	64.51	18.67
F-FTSF-701818-L	2276	70	18	18	45.36	13.13
F-FTSF-701818-R	2276	70	18	18	45.36	13.13
F-FTSF-701824-L	2388	70	18	24	60.48	17.5
F-FTSF-701824-R	2388	70	18	24	60.48	17.5
F-FTSF-702418-L	2566	70	24	18	60.48	17.5
F-FTSF-702418-R	2566	70	24	18	60.48	17.5
F-FTSF-702424-L	2694	70	24	24	80.64	23.33
F-FTSF-702424-R	2694	70	24	24	80.64	23.33



right side cabinet

What's Included:

Tower combo storage and keys for lock.

How to Specify:

Body refers to the top, side and back panels of the tower combo storage.

Face refers to the door front of the tower combo storage.

Handle is finished in silver, black or white powder coat.

Feet are finished in silver, black or white powder coat.

Tower combo storage can be keyed alike or keyed randomly for a workstation.

Lock is available in satin silver metal only.

Options:

Height 56", 70"

Depth 18", 24"

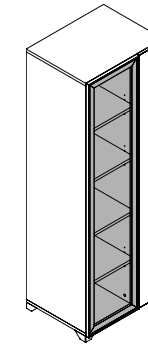
Door hinged side **L** left **R** right

Body Laminate laminate color

Face Laminate laminate color

Handle Color **H112** silver **H121** white **H122** black

Code	Price	H (in.)	W (in.)	D 1 (in.)	Weight (lb)	Volume (ft ³)
F-FCCS-562418-L	1735	56	24	18	53.76	14
F-FCCS-562418-R	1735	56	24	18	53.76	14
F-FCCS-562424-L	1847	56	24	24	71.68	18.67
F-FCCS-562424-R	1847	56	24	24	71.68	18.67
F-FCCS-702418-L	1999	70	24	18	67.2	17.5
F-FCCS-702418-R	1999	70	24	18	67.2	17.5
F-FCCS-702424-L	2141	70	24	24	89.6	23.33
F-FCCS-702424-R	2141	70	24	24	89.6	23.33



right side cabinet

What's Included:

Tower combo storage with acrylic hinged door.

How to Specify:

Body refers to the top, side and back panels of the tower combo storage.

Feet are finished in silver, black or white powder coat.

Options:

Acrylic sliding door **F** frosted

Height 56", 70"

Depth 18", 24"

Door hinged side **L** left **R** right

Body Laminate laminate color

Handle Color **H112** silver **H121** white **H122** black

Notes:

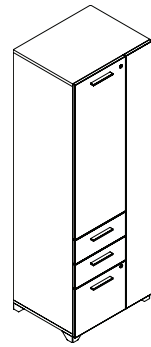
Tower combo storage is available in 56" & 70" heights.

Tower combo storage is available in 18" & 24" depths.

Storage door is available in frost and spider acrylic

Four levelers with a leveling range of 2.5-inches are included.

Code	Price	H (in.)	W (in.)	D 1 (in.)	Weight (lb)	Volume (ft ³)
F-FCCF-562418-L	2380	56	24	18	53.76	14
F-FCCF-562418-R	2380	56	24	18	53.76	14
F-FCCF-562424-L	2493	56	24	24	71.68	18.67
F-FCCF-562424-R	2493	56	24	24	71.68	18.67
F-FCCF-702418-L	2745	70	24	18	67.2	17.5
F-FCCF-702418-R	2745	70	24	18	67.2	17.5
F-FCCF-702424-L	2884	70	24	24	89.6	23.33
F-FCCF-702424-R	2884	70	24	24	89.6	23.33



right side cabinet

What's Included:

Tower combo storage (box/box/file drawer configuration) and keys for lock.

How to Specify:

Body refers to the top, side and back panels of the tower combo storage.

Face refers to the drawer front of the tower combo storage.

Handle is finished in silver, black or white powder coat.

Feet are finished in silver, black or white powder coat.

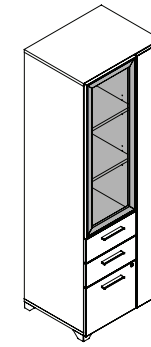
Tower combo storage can be keyed alike or keyed randomly for a workstation.

Lock is available in satin silver metal only.

Options:

Height	56", 70"
Depth	18", 24"
Door hinged side	L left R right
Body Laminate	laminate color
Face Laminate	laminate color
Handle Color	H112 silver H121 white H122 black

Code	Price	H (in.)	W (in.)	D 1 (in.)	Weight (lb)	Volume (ft ³)
F-FCBS-562418-L	2239	56	24	18	60.48	14
F-FCBS-562418-R	2239	56	24	18	60.48	14
F-FCBS-562424-L	2351	56	24	24	80.64	18.67
F-FCBS-562424-R	2351	56	24	24	80.64	18.67
F-FCBS-702418-L	2500	70	24	18	75.6	17.5
F-FCBS-702418-R	2500	70	24	18	75.6	17.5
F-FCBS-702424-L	2641	70	24	24	100.8	23.33
F-FCBS-702424-R	2641	70	24	24	100.8	23.33



right side cabinet

What's Included:

Tower combo storage with acrylic hinged door (box/box/file drawer configuration).

How to Specify:

Body refers to the top, side and back panels of the tower combo storage closet.

Feet are finished in silver, black or white powder coat.

Options:

Acrylic sliding door	F frosted
Height	56", 70"
Width	24"
Depth	18", 24"
Door hinged side	L left R right
Body Laminate	laminate color
Handle Color	H112 silver H121 white H122 black

Notes:

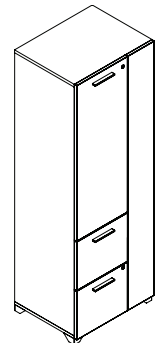
Tower combo storage is available in 56" & 70" heights.

Tower combo storage is available in 18" & 24" depths.

Storage door is available in frost r acrylic

Four levelers with a leveling range of 2.5-inches are included.

Code	Price	H (in.)	W (in.)	D 1 (in.)	Weight (lb)	Volume (ft ³)
F-FCBF-562418-L	2573	56	24	18	60.48	14
F-FCBF-562418-R	2573	56	24	18	60.48	14
F-FCBF-562424-L	2683	56	24	24	80.64	18.67
F-FCBF-562424-R	2683	56	24	24	80.64	18.67
F-FCBF-702418-L	2926	70	24	18	75.6	17.5
F-FCBF-702418-R	2926	70	24	18	75.6	17.5
F-FCBF-702424-L	3069	70	24	24	100.8	23.33
F-FCBF-702424-R	3069	70	24	24	100.8	23.33



right side cabinet

What's Included:

Tower combo storage (file/file drawer configuration) and keys for lock..

How to Specify:

Body refers to the top, side and back panels of the tower combo storage closet.

Face refers to the drawer front of the towercombo storage.

Feet are finished in silver, black or white powder coat.

Tower combo storage can be keyed alike or keyed randomly for a workstation.

Lock is available in satin silver metal only.

Notes:

Tower combo storage is available in 56" & 70" heights.

Tower combo storage is available in 18" & 24" depths.

Storage door is available in frost acrylic

Four levelers with a leveling range of 2.5-inches are included.

Options:

Height 56", 70"

Width 24"

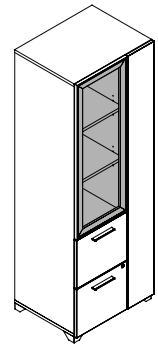
Depth 18", 24"

Door hinged side **L** left **R** right

Body Laminate laminate color

Handle Color **H112** silver **H121** white **H122** black

Code	Price	H (in.)	W (in.)	D 1 (in.)	Weight (lb)	Volume (ft ³)
F-FCFS-562418-L	2080	56	24	18	60.48	14
F-FCFS-562418-R	2080	56	24	18	60.48	14
F-FCFS-562424-L	2191	56	24	24	80.64	18.67
F-FCFS-562424-R	2191	56	24	24	80.64	18.67
F-FCFS-702418-L	2343	70	24	18	75.6	17.5
F-FCFS-702418-R	2343	70	24	18	75.6	17.5
F-FCFS-702424-L	2483	70	24	24	100.8	23.33
F-FCFS-702424-R	2483	70	24	24	100.8	23.33



right side cabinet

What's Included:

Tower combo storage with acrylic hinged door (file/file drawer configuration).

How to Specify:

Body refers to the top, side and back panels of the tower combo storage closet.

Feet are finished in silver, black or white powder coat.

Tower combo storage can be keyed alike or keyed randomly for a workstation.

Lock is available in satin silver metal only.

Notes:

Tower combo storage is available in 56" & 70" heights.

Tower combo storage is available in 18" & 24" depths.

Storage door is available in frost acrylic

Four levelers with a leveling range of 2.5-inches are included.

Options:

Acrylic door	F frosted
Height	56", 70"
Width	24"
Depth	18", 24"
Door hinged side	L left R right
Body Laminate	laminate color
Handle Color	H112 silver H121 white H122 black

Code	Price	H (in.)	W (in.)	D 1 (in.)	Weight (lb)	Volume (ft ³)
F-FCFF-562418-L	2410	56	24	18	60.48	14
F-FCFF-562418-R	2410	56	24	18	60.48	14
F-FCFF-562424-L	2520	56	24	24	80.64	18.67
F-FCFF-562424-R	2520	56	24	24	80.64	18.67
F-FCFF-702418-L	2767	70	24	18	75.6	17.5
F-FCFF-702418-R	2767	70	24	18	75.6	17.5
F-FCFF-702424-L	2906	70	24	24	100.8	23.33
F-FCFF-702424-R	2906	70	24	24	100.8	23.33



Scene Pricebook
Oct 2023
Surfaces

surface

type 1

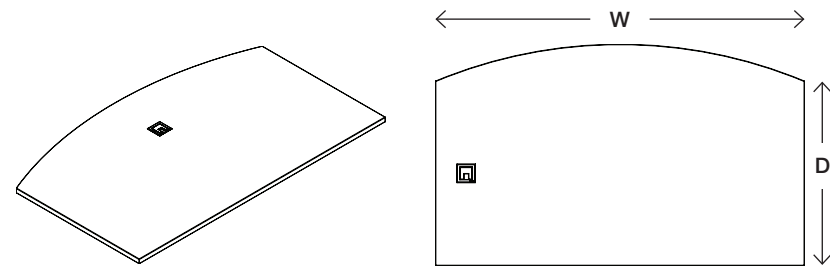
arc worksurface w/ center grommet	128
arc worksurface w/ side grommet	130
straight worksurface w/ center grommet	132
straight worksurface w/ side grommet	134
straight worksurface without grommet	136
unitized desk w/ side grommet	138
D worksurface w/ side grommet	140

credenza mounted

D worksurface w/ side grommet	142
straight worksurface	144
straight return w/ center grommet	146

flag storage

(single full side)	148
(single shared side)	150
(full / shared)	152
(shared / shared)	154



What's Included:

Arc worksurface (1) with a center grommet (1).

How to Specify:

Worksurface can be supported by a high credenza and a single support leg, a high credenza with one support gable or two support gables.

Square grommet can be specified in silver, white or black.

Edge color will default to match the surface color of the worksurface unless otherwise specified.

Notes:

Arc worksurface is 1-inch thick.

All worksurfaces have 2mm vinyl edge trim.

Low pressure laminate is available on the top surface of a worksurface.

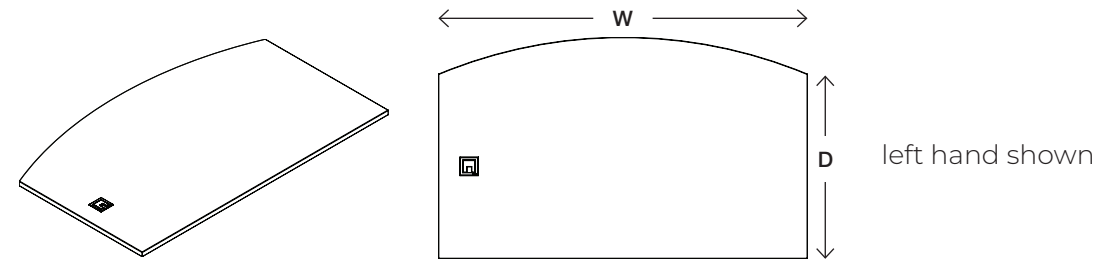
Options:

Width	60", 66", 72", 78", 84"		
Depth	30", 36"		
Grommet Color	P112 silver	P121 white	P114 black
Worksurface Laminate	laminate color		

How to Order and Read your Code:

F	WA0G	60	30
product line	item	width	depth

Code	Price	H (in.)	W (in.)	D 1 (in.)	Weight (lb)	Volume (ft ³)
F-WA0G-6030	906	1	60	30	40	1.25
F-WA0G-6630	970	1	66	30	44	1.38
F-WA0G-7230	1031	1	72	30	48	1.5
F-WA0G-7830	1062	1	78	30	52	1.63
F-WA0G-8430	1092	1	84	30	56	1.75
F-WA0G-6036	952	1	60	36	48	1.46
F-WA0G-6636	1002	1	66	36	52.8	1.6
F-WA0G-7236	1065	1	72	36	57.6	1.75
F-WA0G-7836	1092	1	78	36	62.4	1.9
F-WA0G-8436	1123	1	84	36	67.2	2.04



What's Included:

Arc worksurface (1) with a side grommet (1).

How to Specify:

Worksurface can be supported by a high credenza and a single support leg, a high credenza with one support gable or two support gables.

Square grommet can be specified in silver, white or black.

Edge color will default to match the surface color of the worksurface unless otherwise specified.

Notes:

Arc worksurface is 1-inch thick.

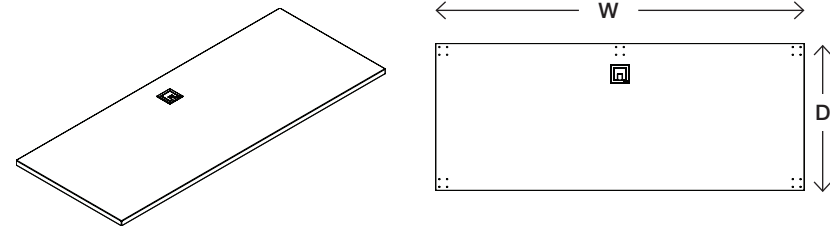
All worksurfaces have 2mm vinyl edge trim.

Low pressure laminate is available on the top surface of a worksurface.

Options:

Width	60", 66", 72", 78", 84"		
Depth	30", 36"		
Grommet side	L left	R right	
Grommet Color	P112 silver	P121 white	P114 black
Worksurface Laminate	laminate color		

Code	Price	H (in.)	W (in.)	D 1 (in.)	Weight (lb)	Volume (ft ³)
F-WASG-6030-L	906	1	60	30	40	1.25
F-WASG-6030-R	906	1	60	30	40	1.25
F-WASG-6036-L	952	1	60	36	48	1.46
F-WASG-6036-R	952	1	60	36	48	1.46
F-WASG-6630-L	970	1	66	30	44	1.38
F-WASG-6630-R	970	1	66	30	44	1.38
F-WASG-6636-L	1002	1	66	36	52.8	1.6
F-WASG-6636-R	1002	1	66	36	52.8	1.6
F-WASG-7230-L	1031	1	72	30	48	1.5
F-WASG-7230-R	1031	1	72	30	48	1.5
F-WASG-7236-L	1065	1	72	36	57.6	1.75
F-WASG-7236-R	1065	1	72	36	57.6	1.75
F-WASG-7830-L	1062	1	78	30	52	1.63
F-WASG-7830-R	1062	1	78	30	52	1.63
F-WASG-7836-L	1092	1	78	36	62.4	1.9
F-WASG-7836-R	1092	1	78	36	62.4	1.9
F-WASG-8430-L	1092	1	84	30	56	1.75
F-WASG-8430-R	1092	1	84	30	56	1.75
F-WASG-8436-L	1123	1	84	36	67.2	2.04
F-WASG-8436-R	1123	1	84	36	67.2	2.04



What's Included:

Straight worksurface (1) with a center grommet (1).

How to Specify:

Worksurface can be supported by a high credenza and a single support leg, a high credenza with one support gable or two support gables.

Square grommet can be specified in silver, white or black.

Edge color will default to match the surface color of the worksurface unless otherwise specified.

Notes:

Straight worksurface is 1-inch thick.

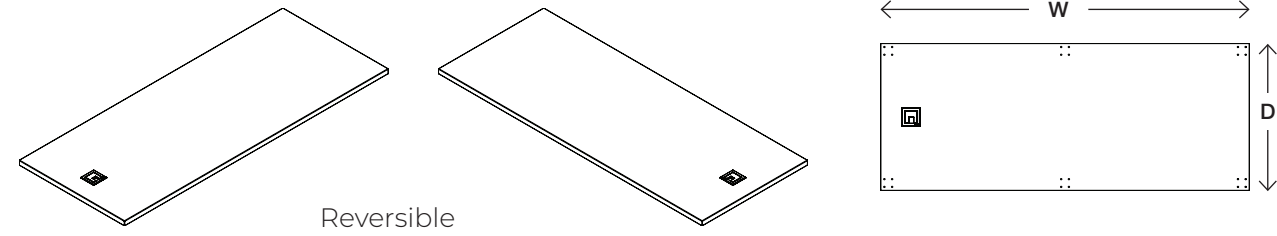
All worksurfaces have 2mm vinyl edge trim.

Low pressure laminate is available on the top surface of a worksurface.

Options:

Width	36", 42", 48", 54", 60", 66", 72", 78", 84", 90", 94"		
Depth	24", 30", 36"		
Grommet Color	P112 silver	P121 white	P114 black
Worksurface Laminate	laminate color		

Code	Price	H (in.)	W (in.)	D 1 (in.)	Weight (lb)	Volume (ft ³)
F-WS0G-3624	298	1	36	24	17.28	0.5
F-WS0G-4224	348	1	42	24	20.16	0.58
F-WS0G-4824	375	1	48	24	23.04	0.67
F-WS0G-5424	451	1	54	24	25.92	0.75
F-WS0G-6024	473	1	60	24	28.8	0.83
F-WS0G-6624	527	1	66	24	31.68	0.92
F-WS0G-7224	548	1	72	24	34.56	1
F-WS0G-7824	596	1	78	24	37.44	1.08
F-WS0G-8424	648	1	84	24	40.32	1.17
F-WS0G-9024	735	1	90	24	43.2	1.25
F-WS0G-9624	795	1	96	24	46.08	1.33
F-WS0G-3630	359	1	36	30	21.6	0.63
F-WS0G-4230	391	1	42	30	25.2	0.73
F-WS0G-4830	424	1	48	30	28.8	0.83
F-WS0G-5430	472	1	54	30	32.4	0.94
F-WS0G-6030	498	1	60	30	36	1.04
F-WS0G-6630	568	1	66	30	39.6	1.15
F-WS0G-7230	584	1	72	30	43.2	1.25
F-WS0G-7830	633	1	78	30	46.8	1.35
F-WS0G-8430	685	1	84	30	50.4	1.46
F-WS0G-9030	781	1	90	30	54	1.56
F-WS0G-9630	845	1	96	30	57.6	1.67
F-WS0G-3636	375	1	36	36	25.92	0.75
F-WS0G-4236	403	1	42	36	30.24	0.88
F-WS0G-4836	442	1	48	36	34.56	1
F-WS0G-5436	492	1	54	36	38.88	1.13
F-WS0G-6036	521	1	60	36	43.2	1.25
F-WS0G-6636	593	1	66	36	47.52	1.38
F-WS0G-7236	609	1	72	36	51.84	1.5
F-WS0G-7836	661	1	78	36	56.16	1.63
F-WS0G-8436	716	1	84	36	60.48	1.75
F-WS0G-9036	815	1	90	36	64.8	1.88
F-WS0G-9636	879	1	96	36	69.12	2



What's Included:

Straight worksurface (1) with a side grommet (1).

How to Specify:

Worksurface can be supported by a high credenza and a single support leg, a high credenza with one support gable or two support gables.

Square grommet can be specified in silver, white or black.

Edge color will default to match the surface color of the worksurface unless otherwise specified.

Notes:

Straight worksurface is 1-inch thick.

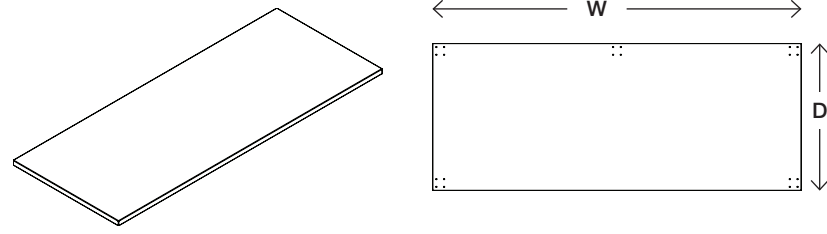
All worksurfaces have 2mm vinyl edge trim.

Low pressure laminate is available on the top surface of a worksurface.

Options:

Width	36", 42", 48", 54", 60", 66", 72", 78", 84", 90", 94"		
Depth	24", 30", 36"		
Grommet side	Reversible		
Grommet Color	P112 silver	P121 white	P114 black
Worksurface Laminate	laminate color		

Code	Price	H (in.)	W (in.)	D 1 (in.)	Weight (lb)	Volume (ft ³)
F-WSSG-3624	298	1	36	24	17.28	0.5
F-WSSG-4224	348	1	42	24	20.16	0.58
F-WSSG-4824	375	1	48	24	23.04	0.67
F-WSSG-5424	451	1	54	24	25.92	0.75
F-WSSG-6024	473	1	60	24	28.8	0.83
F-WSSG-6624	527	1	66	24	31.68	0.92
F-WSSG-7224	548	1	72	24	34.56	1
F-WSSG-7824	596	1	78	24	37.44	1.08
F-WSSG-8424	648	1	84	24	40.32	1.17
F-WSSG-9024	735	1	90	24	43.2	1.25
F-WSSG-9624	795	1	96	24	46.08	1.33
F-WSSG-3630	359	1	36	30	21.6	0.63
F-WSSG-4230	391	1	42	30	25.2	0.73
F-WSSG-4830	424	1	48	30	28.8	0.83
F-WSSG-5430	472	1	54	30	32.4	0.94
F-WSSG-6030	498	1	60	30	36	1.04
F-WSSG-6630	568	1	66	30	39.6	1.15
F-WSSG-7230	584	1	72	30	43.2	1.25
F-WSSG-7830	633	1	78	30	46.8	1.35
F-WSSG-8430	685	1	84	30	50.4	1.46
F-WSSG-9030	781	1	90	30	54	1.56
F-WSSG-9630	845	1	96	30	57.6	1.67
F-WSSG-3636	375	1	36	36	25.92	0.75
F-WSSG-4236	403	1	42	36	30.24	0.88
F-WSSG-4836	442	1	48	36	34.56	1
F-WSSG-5436	492	1	54	36	38.88	1.13
F-WSSG-6036	521	1	60	36	43.2	1.25
F-WSSG-6636	593	1	66	36	47.52	1.38
F-WSSG-7236	609	1	72	36	51.84	1.5
F-WSSG-7836	661	1	78	36	56.16	1.63
F-WSSG-8436	716	1	84	36	60.48	1.75
F-WSSG-9036	815	1	90	36	64.8	1.88
F-WSSG-9636	879	1	96	36	69.12	2



What's Included:

Straight worksurface (1).

How to Specify:

Worksurface can be supported by a high credenza and a single support leg, a high credenza with one support gable or two support gables.

Edge color will default to match the surface color of the worksurface unless otherwise specified.

Notes:

Straight worksurface is 1-inch thick.

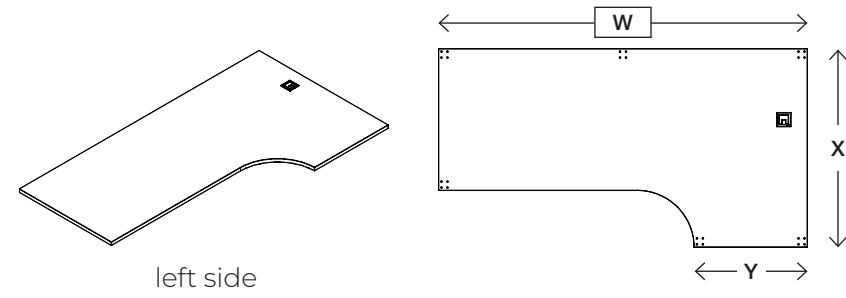
All worksurfaces have 2mm vinyl edge trim.

Low pressure laminate is available on the top surface of a worksurface.

Options:

Width	36", 42", 48", 54", 60", 66", 72", 78", 84", 90", 94"
Depth	24", 30", 36"
Worksurface Laminate	laminate color

Code	Price	H (in.)	W (in.)	D 1 (in.)	Weight (lb)	Volume (ft ³)
F-WS0N-3624	276	1	36	24	17.28	0.5
F-WS0N-4224	328	1	42	24	20.16	0.58
F-WS0N-4824	351	1	48	24	23.04	0.67
F-WS0N-5424	428	1	54	24	25.92	0.75
F-WS0N-6024	452	1	60	24	28.8	0.83
F-WS0N-6624	503	1	66	24	31.68	0.92
F-WS0N-7224	529	1	72	24	34.56	1
F-WS0N-7824	579	1	78	24	37.44	1.08
F-WS0N-8424	625	1	84	24	40.32	1.17
F-WS0N-9024	715	1	90	24	43.2	1.25
F-WS0N-9624	776	1	96	24	46.08	1.33
F-WS0N-3630	340	1	36	30	21.6	0.63
F-WS0N-4230	366	1	42	30	25.2	0.73
F-WS0N-4830	398	1	48	30	28.8	0.83
F-WS0N-5430	451	1	54	30	32.4	0.94
F-WS0N-6030	475	1	60	30	36	1.04
F-WS0N-6630	547	1	66	30	39.6	1.15
F-WS0N-7230	560	1	72	30	43.2	1.25
F-WS0N-7830	615	1	78	30	46.8	1.35
F-WS0N-8430	666	1	84	30	50.4	1.46
F-WS0N-9030	758	1	90	30	54	1.56
F-WS0N-9630	822	1	96	30	57.6	1.67
F-WS0N-3636	353	1	36	36	25.92	0.75
F-WS0N-4236	385	1	42	36	30.24	0.88
F-WS0N-4836	420	1	48	36	34.56	1
F-WS0N-5436	472	1	54	36	38.88	1.13
F-WS0N-6036	501	1	60	36	43.2	1.25
F-WS0N-6636	573	1	66	36	47.52	1.38
F-WS0N-7236	591	1	72	36	51.84	1.5
F-WS0N-7836	642	1	78	36	56.16	1.63
F-WS0N-8436	697	1	84	36	60.48	1.75
F-WS0N-9036	795	1	90	36	64.8	1.88
F-WS0N-9636	857	1	96	36	69.12	2



What's Included:

Unitized worksurface (1) with a side grommet (1).

How to Specify:

Worksurface can be supported by a high credenza and a single support leg, a high credenza with one support gable or two support gables.

Edge color will default to match the surface color of the worksurface unless otherwise specified.

Notes:

Unitized worksurface is 1-inch thick.

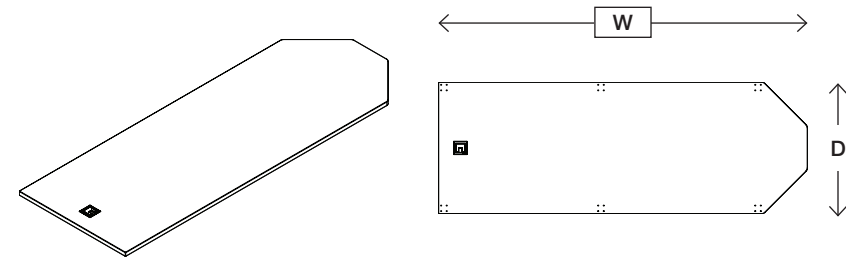
All worksurfaces have 2mm vinyl edge trim.

Low pressure laminate is available on the top surface of a worksurface.

Options:

Width	54", 60", 66", 72", 78", 84", 90", 96"		
X - Depth	36", 42"		
Y - Depth	24", 30"		
Grommet side	L left	R right	
Grommet Color	P112 silver	P121 white	P114 black
Worksurface Laminate	laminate color		

Code	Price	H (in.)	W (in.)	D 1 (in.)	Wt (lb)	Vol (ft³)	Code	Price	H (in.)	W (in.)	D 1 (in.)	Wt (lb)	Vol (ft³)
F-WUCG-543624-L	882	19	54	36	24.88	1.13	F-WUCG-724230-L	1136	19	72	42	41.13	1.75
F-WUCG-543624-R	882	19	54	36	24.88	1.13	F-WUCG-724230-R	1136	19	72	42	41.13	1.75
F-WUCG-544224-L	992	19	54	42	39	1.31	F-WUCG-783624-L	1136	19	78	36	35.94	1.63
F-WUCG-544224-R	992	19	54	42	39	1.31	F-WUCG-783624-R	1136	19	78	36	35.94	1.63
F-WUCG-544230-L	992	19	54	42	39	1.31	F-WUCG-784224-L	1246	19	78	42	41.93	1.9
F-WUCG-544230-R	992	19	54	42	39	1.31	F-WUCG-784224-R	1246	19	78	42	41.93	1.9
F-WUCG-603624-L	934	19	60	36	27.65	1.25	F-WUCG-784230-L	1246	19	78	42	44.55	1.9
F-WUCG-603624-R	934	19	60	36	27.65	1.25	F-WUCG-784230-R	1246	19	78	42	44.55	1.9
F-WUCG-604224-L	1044	19	60	42	32.26	1.46	F-WUCG-843624-L	1244	19	84	36	38.71	1.75
F-WUCG-604224-R	1044	19	60	42	32.26	1.46	F-WUCG-843624-R	1244	19	84	36	38.71	1.75
F-WUCG-604230-L	1044	19	60	42	34.27	1.46	F-WUCG-844224-L	1354	19	84	42	45.16	2.04
F-WUCG-604230-R	1044	19	60	42	34.27	1.46	F-WUCG-844224-R	1354	19	84	42	45.16	2.04
F-WUCG-663624-L	985	19	66	36	30.41	1.38	F-WUCG-844230-L	1354	19	84	42	47.98	2.04
F-WUCG-663624-R	985	19	66	36	30.41	1.38	F-WUCG-844230-R	1354	19	84	42	47.98	2.04
F-WUCG-664224-L	1096	19	66	42	35.48	1.6	F-WUCG-903624-L	1491	19	90	36	41.47	1.88
F-WUCG-664224-R	1096	19	66	42	35.48	1.6	F-WUCG-903624-R	1491	19	90	36	41.47	1.88
F-WUCG-664230-L	1096	19	66	42	37.7	1.6	F-WUCG-904224-L	1601	19	90	42	48.38	2.19
F-WUCG-664230-R	1096	19	66	42	37.7	1.6	F-WUCG-904224-R	1601	19	90	42	48.38	2.19
F-WUCG-723624-L	1027	19	72	36	33.18	1.5	F-WUCG-904230-L	1601	19	90	42	51.41	2.19
F-WUCG-723624-R	1027	19	72	36	33.18	1.5	F-WUCG-904230-R	1601	19	90	42	51.41	2.19
F-WUCG-724224-L	1136	19	72	42	38.71	1.75	F-WUCG-963624-L	1520	19	96	36	44.24	2
F-WUCG-724224-R	1136	19	72	42	38.71	1.75	F-WUCG-963624-R	1520	19	96	36	44.24	2
							F-WUCG-964224-L	1628	19	96	42	51.61	2.33
							F-WUCG-964224-R	1628	19	96	42	51.61	2.33
							F-WUCG-964230-L	1628	19	96	42	54.84	2.33
							F-WUCG-964230-R	1628	19	96	42	54.84	2.33



What's Included:

D worksurface (1) with a grommet (1).

How to Specify:

Worksurface can be supported by a high credenza and a single support leg, a high credenza with one support gable or two support gables.

Edge color will default to match the surface color of the worksurface unless otherwise specified.

Notes:

D worksurface is 1-inch thick.

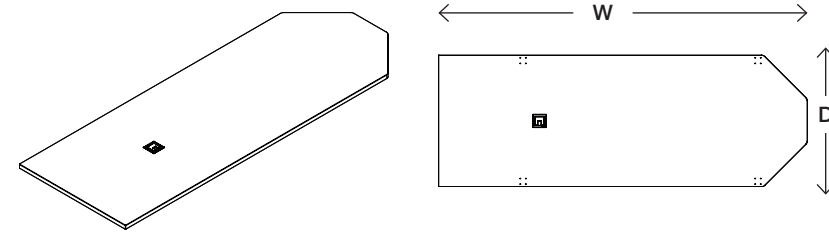
All worksurfaces have 2mm vinyl edge trim.

Low pressure laminate is available on the top surface of a worksurface.

Options:

Width	54", 60", 66", 72", 78", 84", 90", 96"		
Depth	24", 30", 36"		
Grommet Color	P112 silver	P121 white	P114 black
Worksurface Laminate	laminate color		

Code	Price	H (in.)	W (in.)	D 1 (in.)	Weight (lb)	Volume (ft ³)
24" depth						
F-WD0G-544624	612	1	54	24	25.92	0.75
F-WD0G-605224	661	1	60	24	28.8	0.83
F-WD0G-665824	779	1	66	24	31.68	0.92
F-WD0G-726424	836	1	72	24	34.56	1
F-WD0G-787024	969	1	78	24	37.44	1.08
F-WD0G-847624	1015	1	84	24	40.32	1.17
F-WD0G-908224	1062	1	90	24	43.2	1.25
F-WD0G-968824	1109	1	96	24	46.08	1.33
F-WD0G-544430	677	1	54	30	32.4	0.94
30" depth						
F-WD0G-605030	734	1	60	30	36	1.04
F-WD0G-665630	859	1	66	30	39.6	1.15
F-WD0G-726230	930	1	72	30	43.2	1.25
F-WD0G-786830	1073	1	78	30	46.8	1.35
F-WD0G-847430	1124	1	84	30	50.4	1.46
F-WD0G-908030	1176	1	90	30	54	1.56
F-WD0G-968630	1232	1	96	30	57.6	1.67
36" depth						
F-WD0G-544236	740	1	54	36	38.88	1.13
F-WD0G-604836	805	1	60	36	43.2	1.25
F-WD0G-665436	948	1	66	36	47.52	1.38
F-WD0G-726036	1019	1	72	36	51.84	1.5
F-WD0G-786636	1173	1	78	36	56.16	1.63
F-WD0G-847236	1234	1	84	36	60.48	1.75
F-WD0G-907836	1293	1	90	36	64.8	1.88
F-WD0G-968436	1351	1	96	36	69.12	2



What's Included:

D worksurface (1) .

How to Specify:

Worksurface can be supported by a high credenza and a single support leg, a high credenza with one support gable or two support gables.

Edge color will default to match the surface color of the worksurface unless otherwise specified.

Notes:

D worksurface is 1-inch thick.

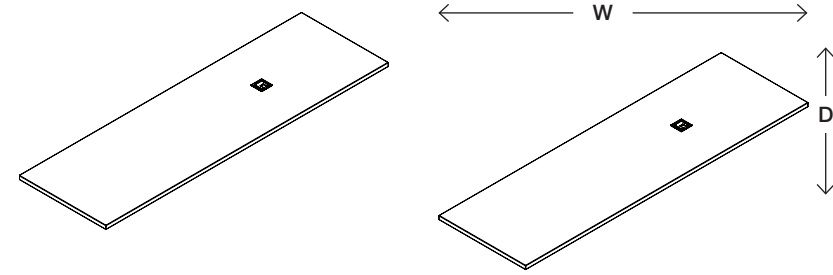
All worksurfaces have 2mm vinyl edge trim.

Low pressure laminate is available on the top surface of a worksurface.

Options:

Width	54", 60", 66", 72", 78", 84", 90", 96"		
Depth	24", 30", 36"		
Grommet Color	P112 silver	P121 white	P114 black
Worksurface Laminate	laminate color		

Code	Price	H (in.)	W (in.)	D 1 (in.)	Weight (lb)	Volume (ft ³)
F-WCDG-784836	1173	1	78	24	37.44	1.08
F-WCDG-785030	1073	1	84	24	40.32	1.17
F-WCDG-785224	969	1	90	24	43.2	1.25
F-WCDG-845436	1234	1	96	24	46.08	1.33
F-WCDG-845630	1124	1	78	30	46.8	1.35
F-WCDG-845824	1015	1	84	30	50.4	1.46
F-WCDG-906036	1293	1	90	30	54	1.56
F-WCDG-906230	1176	1	96	30	57.6	1.67
F-WCDG-906424	1062	1	78	36	56.16	1.63
F-WCDG-966636	1351	1	84	36	60.48	1.75
F-WCDG-966830	1232	1	90	36	64.8	1.88
F-WCDG-967024	1109	1	96	36	69.12	2



What's Included:

Straight worksurface (1)

How to Specify:

Worksurface can be supported by a high credenza and a single support leg, a high credenza with one support gable or two support gables.

Edge color will default to match the surface color of the worksurface unless otherwise specified.

Notes:

Straight worksurface is 1-inch thick.

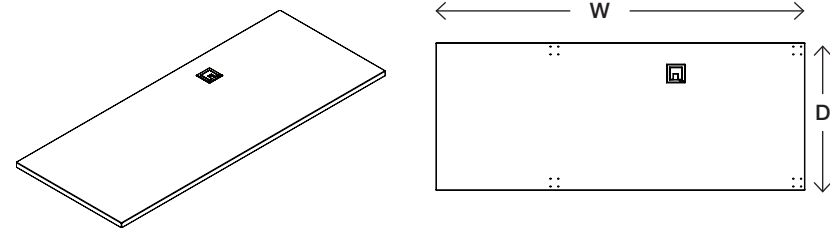
All worksurfaces have 2mm vinyl edge trim.

Low pressure laminate is available on the top surface of a worksurface.

Options:

Width	78", 84", 90", 96"
Depth	24", 30", 36"
Grommet Color	P112 silver P121 white P114 black
Worksurface Laminate	laminate color

Code	Price	H (in.)	W (in.)	D 1 (in.)	Weight (lb)	Volume (ft ³)
F-WCSG-786024	596	1	78	24	37.44	1.08
F-WCSG-846624	648	1	84	24	40.32	1.17
F-WCSG-907224	735	1	90	24	43.2	1.25
F-WCSG-967824	795	1	96	24	46.08	1.33
F-WCSG-786030	633	1	78	30	46.8	1.35
F-WCSG-846630	685	1	84	30	50.4	1.46
F-WCSG-907230	781	1	90	30	54	1.56
F-WCSG-967830	845	1	96	30	57.6	1.67
F-WCSG-786036	661	1	78	36	56.16	1.63
F-WCSG-846636	716	1	84	36	60.48	1.75
F-WCSG-907236	815	1	90	36	64.8	1.88
F-WCSG-967836	879	1	96	36	69.12	2



What's Included:

Straight return work surface (1).

How to Specify:

Work surface can be supported by a high credenza and a single support leg, a high credenza with one support gable or two support gables.

Edge color will default to match the surface color of the work surface unless otherwise specified.

Notes:

Straight return work surface is 1-inch thick.

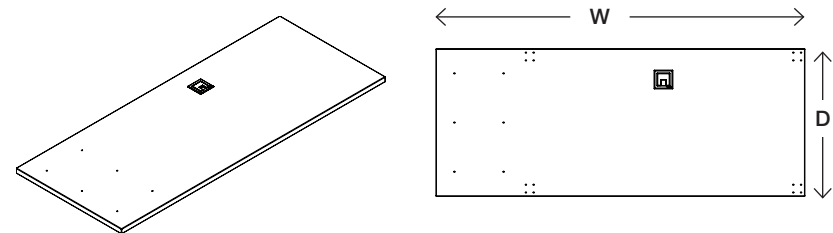
All work surfaces have 2mm vinyl edge trim.

Low pressure laminate is available on the top surface of a work surface.

Options:

Width	54", 60", 66", 72", 78", 84", 90"		
Depth	24", 30", 36"		
Grommet side	L left	R right	
Grommet Color	P112 silver	P121 white	P114 black
Work surface Laminate	laminate color		

Code	Price	H (in.)	W (in.)	D1 (in.)	Wt (lb)	Vol (ft³)	Code	Price	H (in.)	W (in.)	D1 (in.)	Wt (lb)	Vol (ft³)
F-WC0G-543624-L	451	19	54	24	28.8	0.75	F-WC0G-725430-R	584	19	72	30	40.5	1.25
F-WC0G-543624-R	451	19	54	24	28.8	0.75	F-WC0G-725436-L	609	19	72	36	47.4	1.5
F-WC0G-543630-L	472	19	54	30	36	0.94	F-WC0G-725436-R	609	19	72	36	47.4	1.5
F-WC0G-543630-R	472	19	54	30	36	0.94	F-WC0G-786024-L	596	19	78	24	36.8	1.08
F-WC0G-543636-L	492	19	54	36	43.2	1.13	F-WC0G-786024-R	596	19	78	24	36.8	1.08
F-WC0G-543636-R	492	19	54	36	43.2	1.13	F-WC0G-786030-L	633	19	78	30	42	1.35
F-WC0G-604224-L	473	19	60	24	30.8	0.83	F-WC0G-786030-R	633	19	78	30	42	1.35
F-WC0G-604224-R	473	19	60	24	30.8	0.83	F-WC0G-786036-L	661	19	78	36	48.8	1.63
F-WC0G-604230-L	498	19	60	30	37.5	1.04	F-WC0G-786036-R	661	19	78	36	48.8	1.63
F-WC0G-604230-R	498	19	60	30	37.5	1.04	F-WC0G-846624-L	648	19	84	24	38.8	1.17
F-WC0G-604236-L	521	19	60	36	44.6	1.25	F-WC0G-846624-R	648	19	84	24	38.8	1.17
F-WC0G-604236-R	521	19	60	36	44.6	1.25	F-WC0G-846630-L	685	19	84	30	43.5	1.46
F-WC0G-664824-L	527	19	66	24	32.8	0.92	F-WC0G-846630-R	685	19	84	30	43.5	1.46
F-WC0G-664824-R	527	19	66	24	32.8	0.92	F-WC0G-846636-L	716	19	84	36	50.2	1.75
F-WC0G-664830-L	568	19	66	30	39	1.15	F-WC0G-846636-R	716	19	84	36	50.2	1.75
F-WC0G-664830-R	568	19	66	30	39	1.15	F-WC0G-907224-L	735	19	90	24	40.8	1.25
F-WC0G-664836-L	593	19	66	36	46	1.38	F-WC0G-907224-R	735	19	90	24	40.8	1.25
F-WC0G-664836-R	593	19	66	36	46	1.38	F-WC0G-907230-L	781	19	90	30	45	1.56
F-WC0G-725424-L	548	19	72	24	34.8	1	F-WC0G-907230-R	781	19	90	30	45	1.56
F-WC0G-725424-R	548	19	72	24	34.8	1	F-WC0G-907236-L	815	19	90	36	51.6	1.87
F-WC0G-725430-L	584	19	72	30	40.5	1.25	F-WC0G-907236-R	815	19	90	36	51.6	1.87



left hand shown

What's Included:

Flag storage straight worksurface (1) with an offset grommet (1).

How to Specify:

Worksurface can be supported by a high credenza and a single support leg, a high credenza with one support gable or two support gables.

Edge color will default to match the surface color of the worksurface unless otherwise specified.

Notes:

Flag storage straight worksurface is 1-inch thick.

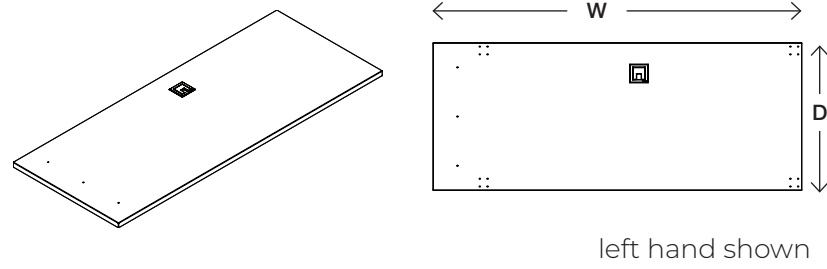
All worksurfaces have 2mm vinyl edge trim.

Low pressure laminate is available on the top surface of a worksurface.

Options:

Width	72", 78", 84", 90", 96"		
Depth	24", 30", 36"		
Flag storage	L left	R right	
Grommet Color	P112 silver	P121 white	P114 black
Worksurface Laminate	laminate color		

Code	Price	H (in.)	W (in.)	D1 (in.)	Wt (lb)	Vol (ft³)	Code	Price	H (in.)	W (in.)	D1 (in.)	Wt (lb)	Vol (ft³)
F-WF0G-604624-L	473	19	60	24	28.8	0.83	F-WF0G-786430-R	633	19	78	30	46.8	1.35
F-WF0G-604624-R	473	19	60	24	28.8	0.83	F-WF0G-786436-L	661	19	78	36	56.16	1.63
F-WF0G-604630-L	498	19	60	30	36	1.04	F-WF0G-786436-R	661	19	78	36	56.16	1.63
F-WF0G-604630-R	498	19	60	30	36	1.04	F-WF0G-847024-L	648	19	84	24	40.32	1.17
F-WF0G-604636-L	521	19	60	36	47.52	1.25	F-WF0G-847024-R	648	19	84	24	40.32	1.17
F-WF0G-604636-R	521	19	60	36	47.52	1.25	F-WF0G-847030-L	685	19	84	30	50.4	1.46
F-WF0G-665224-L	527	19	66	24	31.68	0.92	F-WF0G-847030-R	685	19	84	30	50.4	1.46
F-WF0G-665224-R	527	19	66	24	31.68	0.92	F-WF0G-847036-L	716	19	84	36	60.48	1.75
F-WF0G-665230-L	568	19	66	30	39.6	1.15	F-WF0G-847036-R	716	19	84	36	60.48	1.75
F-WF0G-665230-R	568	19	66	30	39.6	1.15	F-WF0G-907624-L	735	19	90	24	43.2	1.25
F-WF0G-665236-L	593	19	66	36	47.52	1.38	F-WF0G-907624-R	735	19	90	24	43.2	1.25
F-WF0G-665236-R	593	19	66	36	47.52	1.38	F-WF0G-907630-L	781	19	90	30	54	1.56
F-WF0G-725824-L	548	19	72	24	34.56	1	F-WF0G-907630-R	781	19	90	30	54	1.56
F-WF0G-725824-R	548	19	72	24	34.56	1	F-WF0G-907636-L	815	19	90	36	64.8	1.88
F-WF0G-725830-L	584	19	72	30	43.2	1.25	F-WF0G-907636-R	815	19	90	36	64.8	1.88
F-WF0G-725830-R	584	19	72	30	43.2	1.25	F-WF0G-968224-L	795	19	96	24	46.08	1.33
F-WF0G-725836-L	609	19	72	36	51.84	1.5	F-WF0G-968224-R	795	19	96	24	46.08	1.33
F-WF0G-725836-R	609	19	72	36	51.84	1.5	F-WF0G-968230-L	845	19	96	30	57.6	1.67
F-WF0G-786424-L	596	19	78	24	37.44	1.08	F-WF0G-968230-R	845	19	96	30	57.6	1.67
F-WF0G-786424-R	596	19	78	24	37.44	1.08	F-WF0G-968236-L	879	19	96	36	69.12	2
F-WF0G-786430-L	633	19	78	30	46.8	1.35	F-WF0G-968236-R	879	19	96	36	69.12	2



What's Included:

Flag storage straight worksurface (1) with an offset grommet (1).

How to Specify:

Worksurface can be supported by a high credenza and a single support leg, a high credenza with one support gable or two support gables.

Edge color will default to match the surface color of the worksurface unless otherwise specified.

Notes:

Flag storage straight worksurface is 1-inch thick.

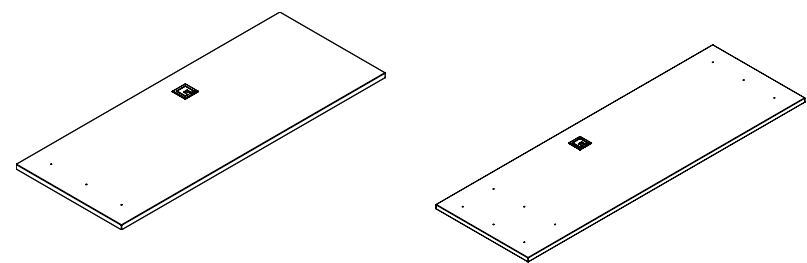
All worksurfaces have 2mm vinyl edge trim.

Low pressure laminate is available on the top surface of a worksurface.

Options:

Width	72", 78", 84", 90", 96"		
Depth	24", 30", 36"		
Flag storage	L left	R right	
Grommet Color	P112 silver	P121 white	P114 black
Worksurface Laminate	laminate color		

Code	Price	H (in.)	W (in.)	D 1 (in.)	Wt (lb)	Vol (ft³)	Code	Price	H (in.)	W (in.)	D 1 (in.)	Wt (lb)	Vol (ft³)
F-WF1G-605324-L	473	19	60	24	28.8	0.83	F-WF1G-787130-R	633	19	78	30	46.8	1.35
F-WF1G-605324-R	473	19	60	24	28.8	0.83	F-WF1G-787136-L	661	19	78	36	56.16	1.63
F-WF1G-605330-L	498	19	60	30	36	1.04	F-WF1G-787136-R	661	19	78	36	56.16	1.63
F-WF1G-605330-R	498	19	60	30	36	1.04	F-WF1G-847724-L	648	19	84	24	40.32	1.17
F-WF1G-605336-L	521	19	60	36	43.2	1.25	F-WF1G-847724-R	648	19	84	24	40.32	1.17
F-WF1G-605336-R	521	19	60	36	43.2	1.25	F-WF1G-847730-L	685	19	84	30	50.4	1.46
F-WF1G-665924-L	527	19	66	24	31.68	0.92	F-WF1G-847730-R	685	19	84	30	50.4	1.46
F-WF1G-665924-R	527	19	66	24	31.68	0.92	F-WF1G-847736-L	716	19	84	36	60.48	1.75
F-WF1G-665930-L	568	19	66	30	39.6	1.15	F-WF1G-847736-R	716	19	84	36	60.48	1.75
F-WF1G-665930-R	568	19	66	30	39.6	1.15	F-WF1G-908324-L	735	19	90	24	43.2	1.25
F-WF1G-665936-L	593	19	66	36	47.52	1.38	F-WF1G-908324-R	735	19	90	24	43.2	1.25
F-WF1G-665936-R	593	19	66	36	47.52	1.38	F-WF1G-908330-L	781	19	90	30	54	1.56
F-WF1G-726524-L	548	19	72	24	34.56	1	F-WF1G-908330-R	781	19	90	30	54	1.56
F-WF1G-726524-R	548	19	72	24	34.56	1	F-WF1G-908336-L	815	19	90	36	64.8	1.88
F-WF1G-726530-L	584	19	72	30	43.2	1.25	F-WF1G-908336-R	815	19	90	36	64.8	1.88
F-WF1G-726530-R	584	19	72	30	43.2	1.25	F-WF1G-968924-L	795	19	96	24	46.08	1.33
F-WF1G-726536-L	609	19	72	36	51.84	1.5	F-WF1G-968924-R	795	19	96	24	46.08	1.33
F-WF1G-726536-R	609	19	72	36	51.84	1.5	F-WF1G-968930-L	845	19	96	30	57.6	1.67
F-WF1G-787124-L	596	19	78	24	37.44	1.08	F-WF1G-968930-R	845	19	96	30	57.6	1.67
F-WF1G-787124-R	596	19	78	24	37.44	1.08	F-WF1G-968936-L	879	19	96	36	69.12	2
F-WF1G-787130-L	633	19	78	30	46.8	1.35	F-WF1G-968936-R	879	19	96	36	69.12	2



What's Included:

Flag storage straight worksurface (1) with an offset grommet (1).

How to Specify:

Worksurface can be supported by a high credenza and a single support leg, a high credenza with one support gable or two support gables.

Edge color will default to match the surface color of the worksurface unless otherwise specified.

Notes:

Flag storage straight desk worksurface is 1-inch thick.

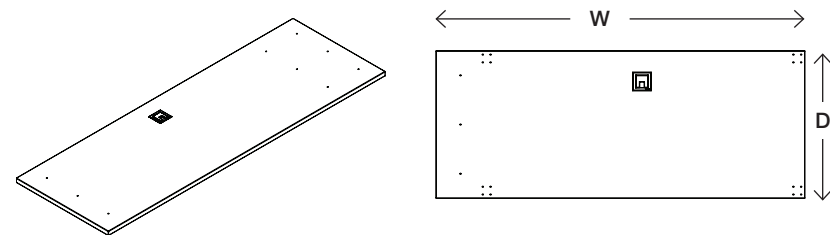
All worksurfaces have 2mm vinyl edge trim.

Low pressure laminate is available on the top surface of a worksurface.

Options:

Width	72", 78", 84", 90", 96"		
Depth	24", 30", 36"		
Flag storage	L left	R right	
Grommet Color	P112 silver	P121 white	P114 black
Worksurface Laminate	laminate color		

Code	Price	H (in.)	W (in.)	D 1 (in.)	Wt (lb)	Vol (ft³)	Code	Price	H (in.)	W (in.)	D 1 (in.)	Wt (lb)	Vol (ft³)
F-WF1G-968936-R	879	19	96	36	69.12	2	F-WF2G-967524-R	795	19	96	24	46.08	1.33
F-WF2G-725124-L	548	19	72	24	34.56	1	F-WF2G-967530-L	845	19	96	30	57.6	1.67
F-WF2G-725124-R	548	19	72	24	34.56	1	F-WF2G-967530-R	845	19	96	30	57.6	1.67
F-WF2G-725130-L	584	19	72	30	43.2	1.25	F-WF2G-967536-L	879	19	96	36	69.12	2
F-WF2G-725130-R	584	19	72	30	43.2	1.25	F-WF2G-967536-R	879	19	96	36	69.12	2
F-WF2G-725136-L	609	19	72	36	51.84	1.5	F-WF2G-604624	473	19	60	24	28.8	0.83
F-WF2G-725136-R	609	19	72	36	51.84	1.5	F-WF2G-665224	527	19	66	24	31.68	0.92
F-WF2G-785724-L	596	19	78	24	37.44	1.08	F-WF2G-725824	548	19	72	24	34.56	1
F-WF2G-785724-R	596	19	78	24	37.44	1.08	F-WF2G-786424	596	19	78	24	37.44	1.08
F-WF2G-785730-L	633	19	78	30	46.8	1.35	F-WF2G-847024	648	19	84	24	40.32	1.17
F-WF2G-785730-R	633	19	78	30	46.8	1.35	F-WF2G-907624	735	19	90	24	43.2	1.25
F-WF2G-785736-L	661	19	78	36	56.16	1.63	F-WF2G-968224	795	19	96	24	46.08	1.33
F-WF2G-785736-R	661	19	78	36	56.16	1.63	F-WF2G-604630	498	19	60	30	36	1.04
F-WF2G-846324-L	648	19	84	24	40.32	1.17	F-WF2G-665230	568	19	66	30	39.6	1.15
F-WF2G-846324-R	648	19	84	24	40.32	1.17	F-WF2G-725830	584	19	72	30	43.2	1.25
F-WF2G-846330-L	685	19	84	30	50.4	1.46	F-WF2G-786430	633	19	78	30	46.8	1.35
F-WF2G-846330-R	685	19	84	30	50.4	1.46	F-WF2G-847030	685	19	84	30	50.4	1.46
F-WF2G-846336-L	716	19	84	36	60.48	1.75	F-WF2G-907630	781	19	90	30	54	1.56
F-WF2G-846336-R	716	19	84	36	60.48	1.75	F-WF2G-968230	845	19	96	30	57.6	1.67
F-WF2G-906924-L	735	19	90	24	43.2	1.25	F-WF2G-604636	521	19	60	36	43.2	1.25
F-WF2G-906924-R	735	19	90	24	43.2	1.25	F-WF2G-665236	593	19	66	36	47.52	1.38
F-WF2G-906930-L	781	19	90	30	54	1.56	F-WF2G-725836	609	19	72	36	51.84	1.5
F-WF2G-906930-R	781	19	90	30	54	1.56	F-WF2G-786436	661	19	78	36	56.16	1.63
F-WF2G-906936-L	815	19	90	36	64.8	1.88	F-WF2G-847036	716	19	84	36	60.48	1.75
F-WF2G-906936-R	815	19	90	36	64.8	1.88	F-WF2G-907636	815	19	90	36	64.8	1.88
F-WF2G-967524-L	795	19	96	24	46.08	1.33	F-WF2G-968236	879	19	96	36	69.12	2



What's Included:

Flag storage straight worksurface (1) with a center grommet (1).

How to Specify:

Worksurface can be supported by a high credenza and a single support leg, a high credenza with one support gable or two support gables.

Edge color will default to match the surface color of the worksurface unless otherwise specified.

Notes:

Flag storage straight desk worksurface is 1-inch thick.

All worksurfaces have 2mm vinyl edge trim.

Low pressure laminate is available on the top surface of a worksurface.

Options:

Width	60", 66", 72", 78", 84", 90", 96"		
Depth	24", 30", 36"		
Grommet Color	P112 silver	P121 white	P114 black
Worksurface Laminate	laminate color		

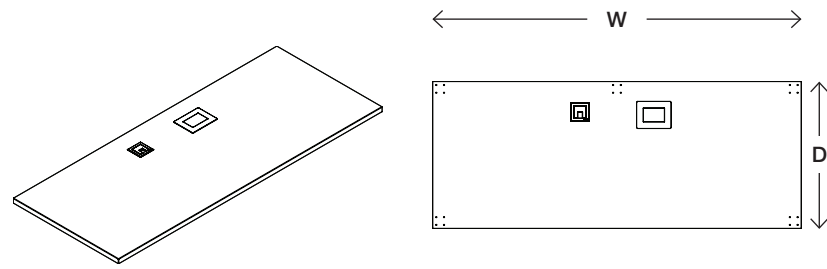
Code	Price	H (in.)	W (in.)	D 1 (in.)	Weight (lb)	Volume (ft ³)
F-WF2G-604624	473	1	60	24	28.8	0.83
F-WF2G-665224	527	1	66	24	31.68	0.92
F-WF2G-725824	548	1	72	24	34.56	1
F-WF2G-786424	596	1	78	24	37.44	1.08
F-WF2G-847024	648	1	84	24	40.32	1.17
F-WF2G-907624	735	1	90	24	43.2	1.25
F-WF2G-968224	795	1	96	24	46.08	1.33
F-WF2G-604630	498	1	60	30	36	1.04
F-WF2G-665230	568	1	66	30	39.6	1.15
F-WF2G-725830	584	1	72	30	43.2	1.25
F-WF2G-786430	633	1	78	30	46.8	1.35
F-WF2G-847030	685	1	84	30	50.4	1.46
F-WF2G-907630	781	1	90	30	54	1.56
F-WF2G-968230	845	1	96	30	57.6	1.67
F-WF2G-604636	521	1	60	36	43.2	1.25
F-WF2G-665236	593	1	66	36	47.52	1.38
F-WF2G-725836	609	1	72	36	51.84	1.5
F-WF2G-786436	661	1	78	36	56.16	1.63
F-WF2G-847036	716	1	84	36	60.48	1.75
F-WF2G-907636	815	1	90	36	64.8	1.88
F-WF2G-968236	879	1	96	36	69.12	2



Scene Pricebook
Oct 2023
**Surfaces with
Power Grommet**

surface with power grommet

<u>straight worksurface</u>	158
<u>credenza surface straight return</u>	160



What's Included:

Straight worksurface (1) with a cable grommet (1) and a power grommet (1). Power grommet comes with a power outlet (1) and a USB port (1).

How to Specify:

Worksurface can be supported by a high credenza and a single support leg, a high credenza with one support gable or two support gables.

Grommet can be specified in silver, white or black.

Edge color will default to match the surface color of the worksurface unless otherwise specified.

Edge color will default to match the surface color of the worksurface unless otherwise specified.

Notes:

Straight worksurface is 1-inch thick.

All worksurfaces have 2mm vinyl edge trim.

Low pressure laminate is available on the top surface of a worksurface.

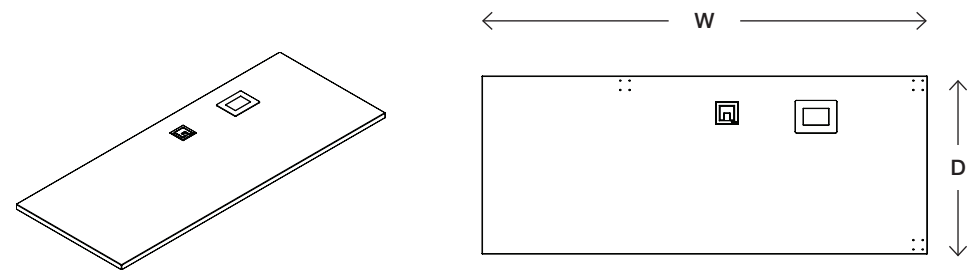
Options:

Width	36", 42", 48", 54", 60", 66", 72", 78", 84", 90", 96"		
Depth	24", 30", 36"		
Grommet Color	P112 silver	P121 white	P114 black
Worksurface Laminate	laminate color		

How to Order and Read your Code:

F	WSPG	60	30
product line	item	width	depth

Code	Price	H (in.)	W (in.)	D 1 (in.)	Weight (lb)	Volume (ft ³)
F-WSPG-3624	1014	1	36	24	17.28	0.5
F-WSPG-4224	1065	1	42	24	20.16	0.58
F-WSPG-4824	1092	1	48	24	23.04	0.67
F-WSPG-5424	1168	1	54	24	25.92	0.75
F-WSPG-6024	1192	1	60	24	28.8	0.83
F-WSPG-6624	1243	1	66	24	31.68	0.92
F-WSPG-7224	1267	1	72	24	34.56	1
F-WSPG-7824	1318	1	78	24	37.44	1.08
F-WSPG-8424	1363	1	84	24	40.32	1.17
F-WSPG-9024	1451	1	90	24	43.2	1.25
F-WSPG-9624	1514	1	96	24	46.08	1.33
F-WSPG-3630	1077	1	36	30	21.6	0.63
F-WSPG-4230	1104	1	42	30	25.2	0.73
F-WSPG-4830	1140	1	48	30	28.8	0.83
F-WSPG-5430	1189	1	54	30	32.4	0.94
F-WSPG-6030	1217	1	60	30	36	1.04
F-WSPG-6630	1284	1	66	30	39.6	1.15
F-WSPG-7230	1299	1	72	30	43.2	1.25
F-WSPG-7830	1353	1	78	30	46.8	1.35
F-WSPG-8430	1403	1	84	30	50.4	1.46
F-WSPG-9030	1497	1	90	30	54	1.56
F-WSPG-9630	1559	1	96	30	57.6	1.67
F-WSPG-3636	1092	1	36	36	25.92	0.75
F-WSPG-4236	1123	1	42	36	30.24	0.88
F-WSPG-4836	1157	1	48	36	34.56	1
F-WSPG-5436	1208	1	54	36	38.88	1.13
F-WSPG-6036	1239	1	60	36	43.2	1.25
F-WSPG-6636	1308	1	66	36	47.52	1.38
F-WSPG-7236	1328	1	72	36	51.84	1.5
F-WSPG-7836	1378	1	78	36	56.16	1.63
F-WSPG-8436	1436	1	84	36	60.48	1.75
F-WSPG-9036	1532	1	90	36	64.8	1.88
F-WSPG-9636	1596	1	96	36	69.12	2



What's Included:

Credenza worksurface (1) with cable, grommet (1) and a power grommet (1). Power grommet comes with a power outlet (1) and a USB port (1).

How to Specify:

Worksurface can be supported by a high credenza and a single support leg, a high credenza with one support gable or two support gables.

Grommet can be specified in silver, white or black.

Edge color will default to match the surface color of the worksurface unless otherwise specified.

Notes:

Straight credenza worksurface is 1-inch thick.

All worksurfaces have 2mm vinyl edge trim.

Low pressure laminate is available on the top surface of a worksurface.

Options:

Width	54", 60", 66", 72", 78", 84", 90"		
Depth	24", 30", 36"		
Grommet Color	P112 silver	P121 white	P114 black
Worksurface Laminate	laminate color		

How to Order and Read your Code:

F **WCPG** **60** **30**
 product line item width depth

Code	Price	H (in.)	W (in.)	D 1 (in.)	Weight (lb)	Volume (ft ³)
F-WCPG-543624-L	1168	1	54	24	28.8	0.75
F-WCPG-543624-R	1168	1	54	24	28.8	0.75
F-WCPG-543630-L	1189	1	54	30	36	0.94
F-WCPG-543630-R	1189	1	54	30	36	0.94
F-WCPG-543636-L	1208	1	54	36	43.2	1.13
F-WCPG-543636-R	1208	1	54	36	43.2	1.13
F-WCPG-604224-L	1192	1	60	24	30.8	0.83
F-WCPG-604224-R	1192	1	60	24	30.8	0.83

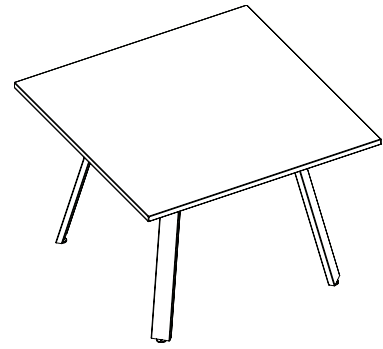
Code	Price	H (in.)	W (in.)	D 1 (in.)	Weight (lb)	Volume (ft ³)
F-WCPG-604230-L	1217	1	60	30	37.5	1.04
F-WCPG-604230-R	1217	1	60	30	37.5	1.04
F-WCPG-604236-L	1239	1	60	36	44.6	1.25
F-WCPG-604236-R	1239	1	60	36	44.6	1.25
F-WCPG-664824-L	1243	1	66	24	32.8	0.92
F-WCPG-664824-R	1243	1	66	24	32.8	0.92
F-WCPG-664830-L	1284	1	66	30	39	1.15
F-WCPG-664830-R	1284	1	66	30	39	1.15
F-WCPG-664836-L	1308	1	66	36	46	1.38
F-WCPG-664836-R	1308	1	66	36	46	1.38
F-WCPG-725424-L	1267	1	72	24	34.8	1
F-WCPG-725424-R	1267	1	72	24	34.8	1
F-WCPG-725430-L	1299	1	72	30	40.5	1.25
F-WCPG-725430-R	1299	1	72	30	40.5	1.25
F-WCPG-725436-L	1328	1	72	36	47.4	1.5
F-WCPG-725436-R	1328	1	72	36	47.4	1.5
F-WCPG-786024-L	1318	1	78	24	36.8	1.08
F-WCPG-786024-R	1318	1	78	24	36.8	1.08
F-WCPG-786030-L	1353	1	78	30	42	1.35
F-WCPG-786030-R	1353	1	78	30	42	1.35
F-WCPG-786036-L	1378	1	78	36	48.8	1.63
F-WCPG-786036-R	1378	1	78	36	48.8	1.63
F-WCPG-846624-L	1363	1	84	24	38.8	1.17
F-WCPG-846624-R	1363	1	84	24	38.8	1.17
F-WCPG-846630-L	1403	1	84	30	43.5	1.46
F-WCPG-846630-R	1403	1	84	30	43.5	1.46
F-WCPG-846636-L	1436	1	84	36	50.2	1.75
F-WCPG-846636-R	1436	1	84	36	50.2	1.75
F-WCPG-907224-L	1451	1	90	24	40.8	1.25
F-WCPG-907224-R	1451	1	90	24	40.8	1.25
F-WCPG-907230-L	1497	1	90	30	45	1.56
F-WCPG-907230-R	1497	1	90	30	45	1.56
F-WCPG-907236-L	1532	1	90	36	51.6	1.88
F-WCPG-907236-R	1532	1	90	36	51.6	1.88



Scene Pricebook
Oct 2023
Table



<u>freestanding square table</u>	164
<u>freestanding round table</u>	165



What's Included:

Square table top (1) and four single support legs (4).

How to Specify:

Edge color will default to match the surface color of the worksurface unless otherwise specified.

Options:

Width	36", 42", 48"		
Worksurface Laminate	laminate color		
Leg Color	P112 silver	P121 white	P114 black

Notes:

Table top is 1-inch thick.

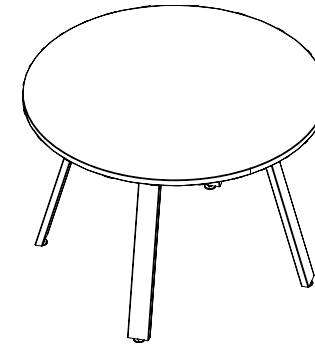
All worksurfaces have 2mm vinyl edge trim.

Low pressure laminate is available on the top surface of a worksurface.

How to Order and Read your Code:

F	TSSL	42	42
product line	item	width	depth

Code	Price	H (in.)	W (in.)	D 1 (in.)	Weight (lb)	Volume (ft ³)
F-TSSL-3636	1517	29	36	36	97	0.75
F-TSSL-4242	1648	29	42	42	113	1.02
F-TSSL-4848	1802	29	48	48	129.01	1.33



What's Included:

Round table top (1) and four single support legs (4).

How to Specify:

Edge color will default to match the surface color of the worksurface unless otherwise specified.

Options:

Width	36", 42", 48"		
Worksurface Laminate	laminate color		
Leg Color	P112 silver	P121 white	P114 black

Notes:

Table top is 1-inch thick.

All worksurfaces have 2mm vinyl edge trim.

Low pressure laminate is available on the top surface of a worksurface.

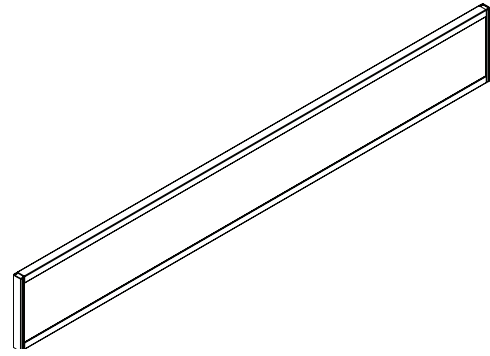
Code	Price	H (in.)	W (in.)	D 1 (in.)	Weight (lb)	Volume (ft ³)
F-TOSL-36	1618	29	36	36	97	0.75
F-TOSL-42	1770	29	42	42	113	1.02
F-TOSL-48	1939	29	48	48	129.01	1.33



Scene Pricebook
Oct 2023
Screens

screens

privacy screen - end to end	168	fabric	192
solid	168	6" height	192
6" height	169	12" height	193
12" height	170	14" height	194
14" height	171	20" height	195
20" height	172	frost acrylic	196
whiteboard	173	6" height	196
12" height	173	12" height	197
14" height	174	14" height	198
20" height	175	20" height	199
6" height	176	privacy screen - share to share	200
fabric	176	solid	200
12" height	177	6" height	201
14" height	178	12" height	202
20" height	179	14" height	203
frost acrylic	180	20" height	204
6" height	180	whiteboard	205
12" height	181	12" height	205
14" height	182	14" height	206
20" height	183	20" height	207
privacy screen - end to share	184	fabric 208	
solid 184		6" height	208
6" height	185	12" height	209
12" height	186	14" height	210
14" height	187	20" height	211
20" height	188	frost acrylic	212
whiteboard	189	6" height	212
12" height	189	12" height	213
14" height	190	14" height	214
20" height	191	20" height	215



What's Included:

Privacy Screen (1), Horizontal Rails (2), Privacy Screen Retainers (2)..

How to Specify:

Available in various heights and widths to provide specific workstation requirements

Privacy screens can be specified in solid laminate, whiteboard, fabric tackboard, quilted felt, and frost acrylic.

Notes:

Privacy screen posts are 2-inches by 2-inches wide, sold separately.

Options:

Height	6", 12", 14", 20"
Width	24", 30", 36", 42", 44", 45", 46", 48", 50", 51", 52", 53", 54", 56", 57", 58", 59", 60", 62", 63", 64", 65", 66", 68", 69", 70", 71", 72"
Screen material	S solid Q felt W whiteboard T fabric/tackboard F frost

How to Order and Read your Code:

F	SEE	12	60	F
product line	item	height	width	acrylic

Code	Price	H (in.)	W (in.)	D 1 (in.)	Weight (lb)	Volume (ft ³)
F-SEE-0624-S	45	5.38	20.44	0.5	2.88	0.03
F-SEE-0630-S	52	5.38	26.44	0.5	3.6	0.04
F-SEE-0636-S	59	5.38	32.44	0.5	4.32	0.05
F-SEE-0642-S	68	5.38	38.44	0.5	5.04	0.06
F-SEE-0644-S	73	5.38	40.44	0.5	5.28	0.06
F-SEE-0645-S	73	5.38	41.44	0.5	5.4	0.06
F-SEE-0646-S	77	5.38	42.44	0.5	5.52	0.07
F-SEE-0648-S	77	5.38	44.44	0.5	5.76	0.07
F-SEE-0650-S	81	5.38	46.44	0.5	6	0.07
F-SEE-0651-S	81	5.38	47.44	0.5	6.12	0.07
F-SEE-0652-S	84	5.38	48.44	0.5	6.24	0.08
F-SEE-0653-S	84	5.38	49.44	0.5	6.36	0.08
F-SEE-0654-S	84	5.38	50.44	0.5	6.48	0.08
F-SEE-0656-S	88	5.38	52.44	0.5	6.72	0.08
F-SEE-0657-S	88	5.38	53.44	0.5	6.84	0.08
F-SEE-0658-S	94	5.38	54.44	0.5	6.96	0.08
F-SEE-0659-S	94	5.38	55.44	0.5	7.08	0.09
F-SEE-0660-S	94	5.38	56.44	0.5	7.2	0.09
F-SEE-0662-S	96	5.38	58.44	0.5	7.44	0.09
F-SEE-0663-S	96	5.38	59.44	0.5	7.56	0.09
F-SEE-0664-S	103	5.38	60.44	0.5	7.68	0.09
F-SEE-0665-S	103	5.38	61.44	0.5	7.8	0.1
F-SEE-0666-S	103	5.38	62.44	0.5	7.92	0.1

Code	Price	H (in.)	W (in.)	D 1 (in.)	Weight (lb)	Volume (ft ³)
F-SEE-1224-S	56	11.38	20.44	0.5	5.76	0.07
F-SEE-1230-S	67	11.38	26.44	0.5	7.2	0.09
F-SEE-1236-S	79	11.38	32.44	0.5	8.64	0.11
F-SEE-1242-S	89	11.38	38.44	0.5	10.08	0.13
F-SEE-1244-S	95	11.38	40.44	0.5	10.56	0.13
F-SEE-1245-S	95	11.38	41.44	0.5	10.8	0.14
F-SEE-1246-S	103	11.38	42.44	0.5	11.04	0.14
F-SEE-1248-S	103	11.38	44.44	0.5	11.52	0.15
F-SEE-1250-S	107	11.38	46.44	0.5	12	0.15
F-SEE-1251-S	107	11.38	47.44	0.5	12.24	0.16
F-SEE-1252-S	113	11.38	48.44	0.5	12.48	0.16
F-SEE-1253-S	113	11.38	49.44	0.5	12.72	0.16
F-SEE-1254-S	113	11.38	50.44	0.5	12.96	0.17
F-SEE-1256-S	119	11.38	52.44	0.5	13.44	0.17
F-SEE-1257-S	119	11.38	53.44	0.5	13.68	0.18
F-SEE-1258-S	122	11.38	54.44	0.5	13.92	0.18
F-SEE-1259-S	122	11.38	55.44	0.5	14.16	0.18
F-SEE-1260-S	122	11.38	56.44	0.5	14.4	0.19
F-SEE-1262-S	130	11.38	58.44	0.5	14.88	0.19
F-SEE-1263-S	130	11.38	59.44	0.5	15.12	0.2
F-SEE-1264-S	134	11.38	60.44	0.5	15.36	0.2
F-SEE-1265-S	134	11.38	61.44	0.5	15.6	0.2
F-SEE-1266-S	134	11.38	62.44	0.5	15.84	0.21

Code	Price	H (in.)	W (in.)	D 1 (in.)	Weight (lb)	Volume (ft ³)
F-SEE-1424-S	59	13.25	20.44	0.5	6.72	0.08
F-SEE-1430-S	73	13.25	26.44	0.5	8.4	0.1
F-SEE-1436-S	84	13.25	32.44	0.5	10.08	0.12
F-SEE-1442-S	96	13.25	38.44	0.5	11.76	0.15
F-SEE-1444-S	105	13.25	40.44	0.5	12.32	0.16
F-SEE-1445-S	105	13.25	41.44	0.5	12.6	0.16
F-SEE-1446-S	109	13.25	42.44	0.5	12.88	0.16
F-SEE-1448-S	109	13.25	44.44	0.5	13.44	0.17
F-SEE-1450-S	117	13.25	46.44	0.5	14	0.18
F-SEE-1451-S	117	13.25	47.44	0.5	14.28	0.18
F-SEE-1452-S	120	13.25	48.44	0.5	14.56	0.19
F-SEE-1453-S	120	13.25	49.44	0.5	14.84	0.19
F-SEE-1454-S	120	13.25	50.44	0.5	15.12	0.19
F-SEE-1456-S	125	13.25	52.44	0.5	15.68	0.2
F-SEE-1457-S	125	13.25	53.44	0.5	15.96	0.2
F-SEE-1458-S	133	13.25	54.44	0.5	16.24	0.21
F-SEE-1459-S	133	13.25	55.44	0.5	16.52	0.21
F-SEE-1460-S	133	13.25	56.44	0.5	16.8	0.22
F-SEE-1462-S	141	13.25	58.44	0.5	17.36	0.22
F-SEE-1463-S	141	13.25	59.44	0.5	17.64	0.23
F-SEE-1464-S	145	13.25	60.44	0.5	17.92	0.23
F-SEE-1465-S	145	13.25	61.44	0.5	18.2	0.24
F-SEE-1466-S	145	13.25	62.44	0.5	18.48	0.24

Code	Price	H (in.)	W (in.)	D 1 (in.)	Weight (lb)	Volume (ft ³)
F-SEE-2024-S	75	19.25	20.44	0.5	9.6	0.11
F-SEE-2030-S	86	19.25	26.44	0.5	12	0.15
F-SEE-2036-S	105	19.25	32.44	0.5	14.4	0.18
F-SEE-2042-S	119	19.25	38.44	0.5	16.8	0.21
F-SEE-2044-S	124	19.25	40.44	0.5	17.6	0.23
F-SEE-2045-S	124	19.25	41.44	0.5	18	0.23
F-SEE-2046-S	133	19.25	42.44	0.5	18.4	0.24
F-SEE-2048-S	133	19.25	44.44	0.5	19.2	0.25
F-SEE-2050-S	142	19.25	46.44	0.5	20	0.26
F-SEE-2051-S	142	19.25	47.44	0.5	20.4	0.26
F-SEE-2052-S	147	19.25	48.44	0.5	20.8	0.27
F-SEE-2053-S	147	19.25	49.44	0.5	21.2	0.28
F-SEE-2054-S	147	19.25	50.44	0.5	21.6	0.28
F-SEE-2056-S	156	19.25	52.44	0.5	22.4	0.29
F-SEE-2057-S	156	19.25	53.44	0.5	22.8	0.3
F-SEE-2058-S	164	19.25	54.44	0.5	23.2	0.3
F-SEE-2059-S	164	19.25	55.44	0.5	23.6	0.31
F-SEE-2060-S	164	19.25	56.44	0.5	24	0.31
F-SEE-2062-S	169	19.25	58.44	0.5	24.8	0.33
F-SEE-2063-S	169	19.25	59.44	0.5	25.2	0.33
F-SEE-2064-S	179	19.25	60.44	0.5	25.6	0.34
F-SEE-2065-S	179	19.25	61.44	0.5	26	0.34
F-SEE-2066-S	179	19.25	62.44	0.5	26.4	0.35

Code	Price	H (in.)	W (in.)	D 1 (in.)	Weight (lb)	Volume (ft ³)
F-SEE-1224-W	124	11.38	20.44	0.5	6.4	0.07
F-SEE-1230-W	150	11.38	26.44	0.5	8	0.09
F-SEE-1236-W	179	11.38	32.44	0.5	9.6	0.11
F-SEE-1242-W	205	11.38	38.44	0.5	11.2	0.13
F-SEE-1244-W	219	11.38	40.44	0.5	11.73	0.13
F-SEE-1245-W	219	11.38	41.44	0.5	12	0.14
F-SEE-1246-W	233	11.38	42.44	0.5	12.27	0.14
F-SEE-1248-W	233	11.38	44.44	0.5	12.8	0.15
F-SEE-1250-W	246	11.38	46.44	0.5	13.33	0.15
F-SEE-1251-W	246	11.38	47.44	0.5	13.6	0.16
F-SEE-1252-W	257	11.38	48.44	0.5	13.87	0.16
F-SEE-1253-W	257	11.38	49.44	0.5	14.13	0.16
F-SEE-1254-W	257	11.38	50.44	0.5	14.4	0.17
F-SEE-1256-W	274	11.38	52.44	0.5	14.93	0.17
F-SEE-1257-W	274	11.38	53.44	0.5	15.2	0.18
F-SEE-1258-W	288	11.38	54.44	0.5	15.47	0.18
F-SEE-1259-W	288	11.38	55.44	0.5	15.73	0.18
F-SEE-1260-W	288	11.38	56.44	0.5	16	0.19
F-SEE-1262-W	304	11.38	58.44	0.5	16.53	0.19
F-SEE-1263-W	304	11.38	59.44	0.5	16.8	0.2
F-SEE-1264-W	315	11.38	60.44	0.5	17.07	0.2
F-SEE-1265-W	315	11.38	61.44	0.5	17.33	0.2
F-SEE-1266-W	315	11.38	62.44	0.5	17.6	0.21

Code	Price	H (in.)	W (in.)	D 1 (in.)	Weight (lb)	Volume (ft ³)
F-SEE-1424-W	134	13.25	20.44	0.5	7.47	0.08
F-SEE-1430-W	167	13.25	26.44	0.5	9.33	0.1
F-SEE-1436-W	197	13.25	32.44	0.5	11.2	0.12
F-SEE-1442-W	229	13.25	38.44	0.5	13.07	0.15
F-SEE-1444-W	245	13.25	40.44	0.5	13.69	0.16
F-SEE-1445-W	245	13.25	41.44	0.5	14	0.16
F-SEE-1446-W	257	13.25	42.44	0.5	14.31	0.16
F-SEE-1448-W	257	13.25	44.44	0.5	14.93	0.17
F-SEE-1450-W	276	13.25	46.44	0.5	15.56	0.18
F-SEE-1451-W	276	13.25	47.44	0.5	15.87	0.18
F-SEE-1452-W	289	13.25	48.44	0.5	16.18	0.19
F-SEE-1453-W	289	13.25	49.44	0.5	16.49	0.19
F-SEE-1454-W	289	13.25	50.44	0.5	16.8	0.19
F-SEE-1456-W	307	13.25	52.44	0.5	17.42	0.2
F-SEE-1457-W	307	13.25	53.44	0.5	17.73	0.2
F-SEE-1458-W	322	13.25	54.44	0.5	18.04	0.21
F-SEE-1459-W	322	13.25	55.44	0.5	18.36	0.21
F-SEE-1460-W	322	13.25	56.44	0.5	18.67	0.22
F-SEE-1462-W	338	13.25	58.44	0.5	19.29	0.22
F-SEE-1463-W	338	13.25	59.44	0.5	19.6	0.23
F-SEE-1464-W	352	13.25	60.44	0.5	19.91	0.23
F-SEE-1465-W	352	13.25	61.44	0.5	20.22	0.24
F-SEE-1466-W	352	13.25	62.44	0.5	20.53	0.24

Code	Price	H (in.)	W (in.)	D 1 (in.)	Weight (lb)	Volume (ft ³)
F-SEE-2024-W	180	19.25	20.44	0.5	10.67	0.11
F-SEE-2030-W	222	19.25	26.44	0.5	13.33	0.15
F-SEE-2036-W	261	19.25	32.44	0.5	16	0.18
F-SEE-2042-W	306	19.25	38.44	0.5	18.67	0.21
F-SEE-2044-W	326	19.25	40.44	0.5	19.56	0.23
F-SEE-2045-W	326	19.25	41.44	0.5	20	0.23
F-SEE-2046-W	347	19.25	42.44	0.5	20.44	0.24
F-SEE-2048-W	347	19.25	44.44	0.5	21.33	0.25
F-SEE-2050-W	366	19.25	46.44	0.5	22.22	0.26
F-SEE-2051-W	366	19.25	47.44	0.5	22.67	0.26
F-SEE-2052-W	387	19.25	48.44	0.5	23.11	0.27
F-SEE-2053-W	387	19.25	49.44	0.5	23.56	0.28
F-SEE-2054-W	387	19.25	50.44	0.5	24	0.28
F-SEE-2056-W	410	19.25	52.44	0.5	24.89	0.29
F-SEE-2057-W	410	19.25	53.44	0.5	25.33	0.3
F-SEE-2058-W	430	19.25	54.44	0.5	25.78	0.3
F-SEE-2059-W	430	19.25	55.44	0.5	26.22	0.31
F-SEE-2060-W	430	19.25	56.44	0.5	26.67	0.31
F-SEE-2062-W	449	19.25	58.44	0.5	27.56	0.33
F-SEE-2063-W	449	19.25	59.44	0.5	28	0.33
F-SEE-2064-W	473	19.25	60.44	0.5	28.44	0.34
F-SEE-2065-W	473	19.25	61.44	0.5	28.89	0.34
F-SEE-2066-W	473	19.25	62.44	0.5	29.33	0.35

Code	Price	H (in.)	W (in.)	D 1 (in.)	Weight (lb)	Volume (ft ³)
F-SEE-0624-T	119	5.38	20.44	0.5	2.88	0.03
F-SEE-0630-T	144	5.38	26.44	0.5	3.6	0.04
F-SEE-0636-T	168	5.38	32.44	0.5	4.32	0.05
F-SEE-0642-T	195	5.38	38.44	0.5	5.04	0.06
F-SEE-0644-T	205	5.38	40.44	0.5	5.28	0.06
F-SEE-0645-T	205	5.38	41.44	0.5	5.4	0.06
F-SEE-0646-T	219	5.38	42.44	0.5	5.52	0.07
F-SEE-0648-T	219	5.38	44.44	0.5	5.76	0.07
F-SEE-0650-T	230	5.38	46.44	0.5	6	0.07
F-SEE-0651-T	230	5.38	47.44	0.5	6.12	0.07
F-SEE-0652-T	244	5.38	48.44	0.5	6.24	0.08
F-SEE-0653-T	244	5.38	49.44	0.5	6.36	0.08
F-SEE-0654-T	244	5.38	50.44	0.5	6.48	0.08
F-SEE-0656-T	256	5.38	52.44	0.5	6.72	0.08
F-SEE-0657-T	256	5.38	53.44	0.5	6.84	0.08
F-SEE-0658-T	268	5.38	54.44	0.5	6.96	0.08
F-SEE-0659-T	268	5.38	55.44	0.5	7.08	0.09
F-SEE-0660-T	268	5.38	56.44	0.5	7.2	0.09
F-SEE-0662-T	281	5.38	58.44	0.5	7.44	0.09
F-SEE-0663-T	281	5.38	59.44	0.5	7.56	0.09
F-SEE-0664-T	293	5.38	60.44	0.5	7.68	0.09
F-SEE-0665-T	293	5.38	61.44	0.5	7.8	0.1
F-SEE-0666-T	293	5.38	62.44	0.5	7.92	0.1

Code	Price	H (in.)	W (in.)	D 1 (in.)	Weight (lb)	Volume (ft ³)
F-SEE-1224-T	179	11.38	20.44	0.5	5.76	0.07
F-SEE-1230-T	218	11.38	26.44	0.5	7.2	0.09
F-SEE-1236-T	256	11.38	32.44	0.5	8.64	0.11
F-SEE-1242-T	293	11.38	38.44	0.5	10.08	0.13
F-SEE-1244-T	314	11.38	40.44	0.5	10.56	0.13
F-SEE-1245-T	314	11.38	41.44	0.5	10.8	0.14
F-SEE-1246-T	333	11.38	42.44	0.5	11.04	0.14
F-SEE-1248-T	333	11.38	44.44	0.5	11.52	0.15
F-SEE-1250-T	350	11.38	46.44	0.5	12	0.15
F-SEE-1251-T	350	11.38	47.44	0.5	12.24	0.16
F-SEE-1252-T	367	11.38	48.44	0.5	12.48	0.16
F-SEE-1253-T	367	11.38	49.44	0.5	12.72	0.16
F-SEE-1254-T	367	11.38	50.44	0.5	12.96	0.17
F-SEE-1256-T	391	11.38	52.44	0.5	13.44	0.17
F-SEE-1257-T	391	11.38	53.44	0.5	13.68	0.18
F-SEE-1258-T	407	11.38	54.44	0.5	13.92	0.18
F-SEE-1259-T	407	11.38	55.44	0.5	14.16	0.18
F-SEE-1260-T	407	11.38	56.44	0.5	14.4	0.19
F-SEE-1262-T	427	11.38	58.44	0.5	14.88	0.19
F-SEE-1263-T	427	11.38	59.44	0.5	15.12	0.2
F-SEE-1264-T	448	11.38	60.44	0.5	15.36	0.2
F-SEE-1265-T	448	11.38	61.44	0.5	15.6	0.2
F-SEE-1266-T	448	11.38	62.44	0.5	15.84	0.21

Code	Price	H (in.)	W (in.)	D 1 (in.)	Weight (lb)	Volume (ft ³)
F-SEE-1424-T	197	13.25	20.44	0.5	6.72	0.08
F-SEE-1430-T	242	13.25	26.44	0.5	8.4	0.1
F-SEE-1436-T	282	13.25	32.44	0.5	10.08	0.12
F-SEE-1442-T	325	13.25	38.44	0.5	11.76	0.15
F-SEE-1444-T	347	13.25	40.44	0.5	12.32	0.16
F-SEE-1445-T	347	13.25	41.44	0.5	12.6	0.16
F-SEE-1446-T	366	13.25	42.44	0.5	12.88	0.16
F-SEE-1448-T	366	13.25	44.44	0.5	13.44	0.17
F-SEE-1450-T	389	13.25	46.44	0.5	14	0.18
F-SEE-1451-T	389	13.25	47.44	0.5	14.28	0.18
F-SEE-1452-T	410	13.25	48.44	0.5	14.56	0.19
F-SEE-1453-T	410	13.25	49.44	0.5	14.84	0.19
F-SEE-1454-T	410	13.25	50.44	0.5	15.12	0.19
F-SEE-1456-T	431	13.25	52.44	0.5	15.68	0.2
F-SEE-1457-T	431	13.25	53.44	0.5	15.96	0.2
F-SEE-1458-T	452	13.25	54.44	0.5	16.24	0.21
F-SEE-1459-T	452	13.25	55.44	0.5	16.52	0.21
F-SEE-1460-T	452	13.25	56.44	0.5	16.8	0.22
F-SEE-1462-T	474	13.25	58.44	0.5	17.36	0.22
F-SEE-1463-T	474	13.25	59.44	0.5	17.64	0.23
F-SEE-1464-T	495	13.25	60.44	0.5	17.92	0.23
F-SEE-1465-T	495	13.25	61.44	0.5	18.2	0.24
F-SEE-1466-T	495	13.25	62.44	0.5	18.48	0.24

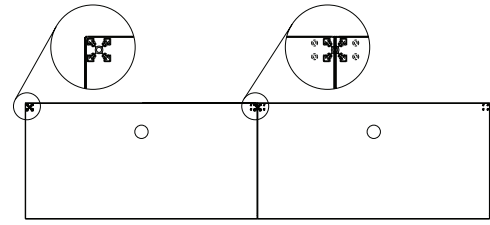
Code	Price	H (in.)	W (in.)	D 1 (in.)	Weight (lb)	Volume (ft ³)
F-SEE-2024-T	257	19.25	20.44	0.5	9.6	0.11
F-SEE-2030-T	314	19.25	26.44	0.5	12	0.15
F-SEE-2036-T	367	19.25	32.44	0.5	14.4	0.18
F-SEE-2042-T	426	19.25	38.44	0.5	16.8	0.21
F-SEE-2044-T	452	19.25	40.44	0.5	17.6	0.23
F-SEE-2045-T	452	19.25	41.44	0.5	18	0.23
F-SEE-2046-T	481	19.25	42.44	0.5	18.4	0.24
F-SEE-2048-T	481	19.25	44.44	0.5	19.2	0.25
F-SEE-2050-T	508	19.25	46.44	0.5	20	0.26
F-SEE-2051-T	508	19.25	47.44	0.5	20.4	0.26
F-SEE-2052-T	536	19.25	48.44	0.5	20.8	0.27
F-SEE-2053-T	536	19.25	49.44	0.5	21.2	0.28
F-SEE-2054-T	536	19.25	50.44	0.5	21.6	0.28
F-SEE-2056-T	564	19.25	52.44	0.5	22.4	0.29
F-SEE-2057-T	564	19.25	53.44	0.5	22.8	0.3
F-SEE-2058-T	593	19.25	54.44	0.5	23.2	0.3
F-SEE-2059-T	593	19.25	55.44	0.5	23.6	0.31
F-SEE-2060-T	593	19.25	56.44	0.5	24	0.31
F-SEE-2062-T	622	19.25	58.44	0.5	24.8	0.33
F-SEE-2063-T	622	19.25	59.44	0.5	25.2	0.33
F-SEE-2064-T	650	19.25	60.44	0.5	25.6	0.34
F-SEE-2065-T	650	19.25	61.44	0.5	26	0.34
F-SEE-2066-T	650	19.25	62.44	0.5	26.4	0.35

Code	Price	H (in.)	W (in.)	D 1 (in.)	Weight (lb)	Volume (ft ³)
F-SEE-0624-F	81	5.38	20.44	0.5	1.44	0.03
F-SEE-0630-F	99	5.38	26.44	0.5	1.8	0.04
F-SEE-0636-F	117	5.38	32.44	0.5	2.16	0.05
F-SEE-0642-F	134	5.38	38.44	0.5	2.52	0.06
F-SEE-0644-F	143	5.38	40.44	0.5	2.64	0.06
F-SEE-0645-F	143	5.38	41.44	0.5	2.7	0.06
F-SEE-0646-F	150	5.38	42.44	0.5	2.76	0.07
F-SEE-0648-F	150	5.38	44.44	0.5	2.88	0.07
F-SEE-0650-F	160	5.38	46.44	0.5	3	0.07
F-SEE-0651-F	160	5.38	47.44	0.5	3.06	0.07
F-SEE-0652-F	168	5.38	48.44	0.5	3.12	0.08
F-SEE-0653-F	168	5.38	49.44	0.5	3.18	0.08
F-SEE-0654-F	168	5.38	50.44	0.5	3.24	0.08
F-SEE-0656-F	179	5.38	52.44	0.5	3.36	0.08
F-SEE-0657-F	179	5.38	53.44	0.5	3.42	0.08
F-SEE-0658-F	189	5.38	54.44	0.5	3.48	0.08
F-SEE-0659-F	189	5.38	55.44	0.5	3.54	0.09
F-SEE-0660-F	189	5.38	56.44	0.5	3.6	0.09
F-SEE-0662-F	196	5.38	58.44	0.5	3.72	0.09
F-SEE-0663-F	196	5.38	59.44	0.5	3.78	0.09
F-SEE-0664-F	204	5.38	60.44	0.5	3.84	0.09
F-SEE-0665-F	204	5.38	61.44	0.5	3.9	0.1
F-SEE-0666-F	204	5.38	62.44	0.5	3.96	0.1

Code	Price	H (in.)	W (in.)	D 1 (in.)	Weight (lb)	Volume (ft ³)
F-SEE-1224-F	121	11.38	20.44	0.5	2.88	0.07
F-SEE-1230-F	149	11.38	26.44	0.5	3.6	0.09
F-SEE-1236-F	178	11.38	32.44	0.5	4.32	0.11
F-SEE-1242-F	204	11.38	38.44	0.5	5.04	0.13
F-SEE-1244-F	219	11.38	40.44	0.5	5.28	0.13
F-SEE-1245-F	219	11.38	41.44	0.5	5.4	0.14
F-SEE-1246-F	230	11.38	42.44	0.5	5.52	0.14
F-SEE-1248-F	230	11.38	44.44	0.5	5.76	0.15
F-SEE-1250-F	245	11.38	46.44	0.5	6	0.15
F-SEE-1251-F	245	11.38	47.44	0.5	6.12	0.16
F-SEE-1252-F	259	11.38	48.44	0.5	6.24	0.16
F-SEE-1253-F	259	11.38	49.44	0.5	6.36	0.16
F-SEE-1254-F	259	11.38	50.44	0.5	6.48	0.17
F-SEE-1256-F	274	11.38	52.44	0.5	6.72	0.17
F-SEE-1257-F	274	11.38	53.44	0.5	6.84	0.18
F-SEE-1258-F	285	11.38	54.44	0.5	6.96	0.18
F-SEE-1259-F	285	11.38	55.44	0.5	7.08	0.18
F-SEE-1260-F	285	11.38	56.44	0.5	7.2	0.19
F-SEE-1262-F	300	11.38	58.44	0.5	7.44	0.19
F-SEE-1263-F	300	11.38	59.44	0.5	7.56	0.2
F-SEE-1264-F	314	11.38	60.44	0.5	7.68	0.2
F-SEE-1265-F	314	11.38	61.44	0.5	7.8	0.2
F-SEE-1266-F	314	11.38	62.44	0.5	7.92	0.21

Code	Price	H (in.)	W (in.)	D 1 (in.)	Weight (lb)	Volume (ft ³)
F-SEE-1424-F	135	13.25	20.44	0.5	3.36	0.08
F-SEE-1430-F	165	13.25	26.44	0.5	4.2	0.1
F-SEE-1436-F	196	13.25	32.44	0.5	5.04	0.12
F-SEE-1442-F	227	13.25	38.44	0.5	5.88	0.15
F-SEE-1444-F	243	13.25	40.44	0.5	6.16	0.16
F-SEE-1445-F	243	13.25	41.44	0.5	6.3	0.16
F-SEE-1446-F	256	13.25	42.44	0.5	6.44	0.16
F-SEE-1448-F	256	13.25	44.44	0.5	6.72	0.17
F-SEE-1450-F	271	13.25	46.44	0.5	7	0.18
F-SEE-1451-F	271	13.25	47.44	0.5	7.14	0.18
F-SEE-1452-F	286	13.25	48.44	0.5	7.28	0.19
F-SEE-1453-F	286	13.25	49.44	0.5	7.42	0.19
F-SEE-1454-F	286	13.25	50.44	0.5	7.56	0.19
F-SEE-1456-F	301	13.25	52.44	0.5	7.84	0.2
F-SEE-1457-F	301	13.25	53.44	0.5	7.98	0.2
F-SEE-1458-F	317	13.25	54.44	0.5	8.12	0.21
F-SEE-1459-F	317	13.25	55.44	0.5	8.26	0.21
F-SEE-1460-F	317	13.25	56.44	0.5	8.4	0.22
F-SEE-1462-F	333	13.25	58.44	0.5	8.68	0.22
F-SEE-1463-F	333	13.25	59.44	0.5	8.82	0.23
F-SEE-1464-F	348	13.25	60.44	0.5	8.96	0.23
F-SEE-1465-F	348	13.25	61.44	0.5	9.1	0.24
F-SEE-1466-F	348	13.25	62.44	0.5	9.24	0.24

Code	Price	H (in.)	W (in.)	D 1 (in.)	Weight (lb)	Volume (ft ³)
F-SEE-2024-F	178	19.25	20.44	0.5	4.8	0.11
F-SEE-2030-F	218	19.25	26.44	0.5	6	0.15
F-SEE-2036-F	256	19.25	32.44	0.5	7.2	0.18
F-SEE-2042-F	298	19.25	38.44	0.5	8.4	0.21
F-SEE-2044-F	317	19.25	40.44	0.5	8.8	0.23
F-SEE-2045-F	317	19.25	41.44	0.5	9	0.23
F-SEE-2046-F	339	19.25	42.44	0.5	9.2	0.24
F-SEE-2048-F	339	19.25	44.44	0.5	9.6	0.25
F-SEE-2050-F	354	19.25	46.44	0.5	10	0.26
F-SEE-2051-F	354	19.25	47.44	0.5	10.2	0.26
F-SEE-2052-F	377	19.25	48.44	0.5	10.4	0.27
F-SEE-2053-F	377	19.25	49.44	0.5	10.6	0.28
F-SEE-2054-F	377	19.25	50.44	0.5	10.8	0.28
F-SEE-2056-F	397	19.25	52.44	0.5	11.2	0.29
F-SEE-2057-F	397	19.25	53.44	0.5	11.4	0.3
F-SEE-2058-F	418	19.25	54.44	0.5	11.6	0.3
F-SEE-2059-F	418	19.25	55.44	0.5	11.8	0.31
F-SEE-2060-F	418	19.25	56.44	0.5	12	0.31
F-SEE-2062-F	435	19.25	58.44	0.5	12.4	0.33
F-SEE-2063-F	435	19.25	59.44	0.5	12.6	0.33
F-SEE-2064-F	455	19.25	60.44	0.5	12.8	0.34
F-SEE-2065-F	455	19.25	61.44	0.5	13	0.34
F-SEE-2066-F	455	19.25	62.44	0.5	13.2	0.35



What's Included:

Privacy screen (1), Horizontal rails (2), vertical retainers (2).

How to Specify:

Available in various heights and widths to provide specific workstation requirements

Privacy screens can be specified in solid laminate, whiteboard, fabric tackboard, quilted felt, and frost acrylic.

Notes:

Privacy screen posts are 2-inches by 2-inches wide and are sold separately.

Options:

Height	6", 12", 14", 20"
Width	24", 30", 36", 42", 44", 45", 46", 48", 50", 51", 52", 53", 54", 56", 57", 58", 59", 60", 62", 63", 64", 65", 66", 68", 69", 70", 71", 72"
Screen material	S solid Q felt W whiteboard T fabric/tackboard F frost

How to Order and Read your Code:

F	SES	12	60	F
product line	item	height	width	acrylic

Code	Price	H (in.)	W (in.)	D T (in.)	Weight (lb)	Volume (ft ³)
F-SES-0624-S	45	5.38	21.69	0.5	2.88	0.03
F-SES-0630-S	52	5.38	27.69	0.5	3.6	0.04
F-SES-0636-S	59	5.38	33.69	0.5	4.32	0.05
F-SES-0637-S	64	5.38	34.69	0.5	4.45	0.05
F-SES-0637D-S	64	5.38	35.19	0.5	4.51	0.05
F-SES-0638-S	64	5.38	35.69	0.5	4.58	0.06
F-SES-0638D-S	64	5.38	36.19	0.5	4.64	0.06
F-SES-0639-S	64	5.38	36.69	0.5	4.68	0.06
F-SES-0640-S	68	5.38	37.69	0.5	4.81	0.06
F-SES-0641-S	68	5.38	38.69	0.5	4.94	0.06
F-SES-0641D-S	68	5.38	39.19	0.5	5	0.06
F-SES-0642-S	68	5.38	39.69	0.5	5.04	0.06
F-SES-0643-S	73	5.38	40.69	0.5	5.17	0.06
F-SES-0644-S	73	5.38	41.69	0.5	5.28	0.06
F-SES-0644D-S	73	5.38	42.19	0.5	5.34	0.07
F-SES-0645-S	73	5.38	42.69	0.5	5.4	0.07
F-SES-0646-S	77	5.38	43.69	0.5	5.52	0.07
F-SES-0648-S	77	5.38	45.69	0.5	5.76	0.07
F-SES-0650-S	81	5.38	47.69	0.5	6	0.07
F-SES-0651-S	81	5.38	48.69	0.5	6.12	0.08
F-SES-0652-S	84	5.38	49.69	0.5	6.24	0.08
F-SES-0653-S	84	5.38	50.69	0.5	6.36	0.08
F-SES-0654-S	84	5.38	51.69	0.5	6.48	0.08
F-SES-0656-S	88	5.38	53.69	0.5	6.72	0.08
F-SES-0657-S	88	5.38	54.69	0.5	6.84	0.09
F-SES-0658-S	94	5.38	55.69	0.5	6.96	0.09
F-SES-0659-S	94	5.38	56.69	0.5	7.08	0.09
F-SES-0660-S	94	5.38	57.69	0.5	7.2	0.09
F-SES-0662-S	96	5.38	59.69	0.5	7.44	0.09
F-SES-0663-S	96	5.38	60.69	0.5	7.56	0.09
F-SES-0664-S	103	5.38	61.69	0.5	7.68	0.1
F-SES-0665-S	103	5.38	62.69	0.5	7.8	0.1
F-SES-0666-S	103	5.38	63.69	0.5		
F-SES-0668-S	107					
F-SES-0669-S	107					
F-SES-0670-S	109					
F-SES-0671-S	109					
F-SES-0672-S	109					

Code	Price	H (in.)	W (in.)	D 1 (in.)	Weight (lb)	Volume (ft ³)
F-SES-1224-S	56	11.38	21.69	0.5	5.76	0.07
F-SES-1230-S	67	11.38	27.69	0.5	7.2	0.09
F-SES-1236-S	79	11.38	33.69	0.5	8.64	0.11
F-SES-1237-S	84	11.38	34.69	0.5	8.9	0.11
F-SES-1237D-S	84	11.38	35.19	0.5	9.02	0.12
F-SES-1238-S	84	11.38	35.69	0.5	9.15	0.12
F-SES-1238D-S	84	11.38	36.19	0.5	9.28	0.12
F-SES-1239-S	84	11.38	36.69	0.5	9.36	0.12
F-SES-1240-S	89	11.38	37.69	0.5	9.62	0.12
F-SES-1241-S	89	11.38	38.69	0.5	9.87	0.13
F-SES-1241D-S	89	11.38	39.19	0.5	10	0.13
F-SES-1242-S	89	11.38	39.69	0.5	10.08	0.13
F-SES-1243-S	95	11.38	40.69	0.5	10.32	0.13
F-SES-1244-S	95	11.38	41.69	0.5	10.56	0.14
F-SES-1244D-S	95	11.38	42.19	0.5	10.68	0.14
F-SES-1245-S	95	11.38	42.69	0.5	10.8	0.14
F-SES-1246-S	103	11.38	43.69	0.5	11.04	0.14
F-SES-1248-S	103	11.38	45.69	0.5	11.52	0.15
F-SES-1250-S	107	11.38	47.69	0.5	12	0.16
F-SES-1251-S	107	11.38	48.69	0.5	12.24	0.16
F-SES-1252-S	113	11.38	49.69	0.5	12.48	0.16
F-SES-1253-S	113	11.38	50.69	0.5	12.72	0.17
F-SES-1254-S	113	11.38	51.69	0.5	12.96	0.17
F-SES-1256-S	119	11.38	53.69	0.5	13.44	0.18
F-SES-1257-S	119	11.38	54.69	0.5	13.68	0.18
F-SES-1258-S	122	11.38	55.69	0.5	13.92	0.18
F-SES-1259-S	122	11.38	56.69	0.5	14.16	0.19
F-SES-1260-S	122	11.38	57.69	0.5	14.4	0.19
F-SES-1262-S	130	11.38	59.69	0.5	14.88	0.2
F-SES-1263-S	130	11.38	60.69	0.5	15.12	0.2
F-SES-1264-S	134	11.38	61.69	0.5	15.36	0.2
F-SES-1265-S	134	11.38	62.69	0.5	15.6	0.21
F-SES-1266-S	134	11.38	63.69	0.5	15.84	0.21

Code	Price	H (in.)	W (in.)	D 1 (in.)	Weight (lb)	Volume (ft ³)
F-SES-1424-S	59	13.25	21.69	0.5	6.72	0.08
F-SES-1430-S	73	13.25	27.69	0.5	8.4	0.11
F-SES-1434-S	84	13.25	31.69	0.5	10.08	0.12
F-SES-1434D-S	84	13.25	32.19	0.5	10.08	0.12
F-SES-1435-S	84	13.25	32.69	0.5	10.08	0.13
F-SES-1435D-S	84	13.25	33.19	0.5	10.08	0.13
F-SES-1436-S	84	13.25	33.69	0.5	10.08	0.13
F-SES-1437-S	89	13.25	34.69	0.5	10.36	0.13
F-SES-1437D-S	89	13.25	35.19	0.5	10.5	0.13
F-SES-1438-S	89	13.25	35.69	0.5	10.64	0.14
F-SES-1438D-S	89	13.25	36.19	0.5	10.78	0.14
F-SES-1439-S	89	13.25	36.69	0.5	10.92	0.14
F-SES-1440-S	96	13.25	37.69	0.5	11.2	0.14
F-SES-1441-S	96	13.25	38.69	0.5	11.48	0.15
F-SES-1441D-S	96	13.25	39.19	0.5	11.62	0.15
F-SES-1442-S	96	13.25	39.69	0.5	11.76	0.15
F-SES-1443-S	105	13.25	40.69	0.5	12.04	0.16
F-SES-1444-S	105	13.25	41.69	0.5	12.32	0.16
F-SES-1444D-S	105	13.25	42.19	0.5	12.46	0.16
F-SES-1445-S	105	13.25	42.69	0.5	12.6	0.16
F-SES-1446-S	109	13.25	43.69	0.5	12.88	0.17
F-SES-1448-S	109	13.25	45.69	0.5	13.44	0.18
F-SES-1450-S	117	13.25	47.69	0.5	14	0.18
F-SES-1451-S	117	13.25	48.69	0.5	14.28	0.19
F-SES-1452-S	120	13.25	49.69	0.5	14.56	0.19
F-SES-1453-S	120	13.25	50.69	0.5	14.84	0.19
F-SES-1454-S	120	13.25	51.69	0.5	15.12	0.2
F-SES-1456-S	125	13.25	53.69	0.5	15.68	0.21
F-SES-1457-S	125	13.25	54.69	0.5	15.96	0.21
F-SES-1458-S	133	13.25	55.69	0.5	16.24	0.21
F-SES-1459-S	133	13.25	56.69	0.5	16.52	0.22
F-SES-1460-S	133	13.25	57.69	0.5	16.8	0.22
F-SES-1462-S	141	13.25	59.69	0.5	17.36	0.23
F-SES-1463-S	141	13.25	60.69	0.5	17.64	0.23
F-SES-1464-S	145	13.25	61.69	0.5	17.92	0.24
F-SES-1465-S	145	13.25	62.69	0.5	18.2	0.24
F-SES-1466-S	145	13.25	63.69	0.5	18.48	0.24

Code	Price	H (in.)	W (in.)	D 1 (in.)	Weight (lb)	Volume (ft ³)
F-SES-2024-S	75	19.25	21.69	0.5	9.6	0.12
F-SES-2030-S	86	19.25	27.69	0.5	12	0.15
F-SES-2034-S	105	19.25	31.69	0.5	14.4	0.18
F-SES-2034D-S	105	19.25	32.19	0.5	14.4	0.18
F-SES-2035-S	105	19.25	32.69	0.5	14.4	0.18
F-SES-2035D-S	105	19.25	33.19	0.5	14.4	0.18
F-SES-2036-S	105	19.25	33.69	0.5	14.4	0.19
F-SES-2037-S	110	19.25	34.69	0.5	14.8	0.19
F-SES-2037D-S	110	19.25	35.19	0.5	15	0.2
F-SES-2038-S	110	19.25	35.69	0.5	15.2	0.2
F-SES-2038D-S	110	19.25	36.19	0.5	15.4	0.2
F-SES-2039-S	110	19.25	36.69	0.5	15.6	0.2
F-SES-2040-S	119	19.25	37.69	0.5	16	0.21
F-SES-2041-S	119	19.25	38.69	0.5	16.4	0.22
F-SES-2041D-S	119	19.25	39.19	0.5	16.6	0.22
F-SES-2042-S	119	19.25	39.69	0.5	16.8	0.22
F-SES-2043-S	124	19.25	40.69	0.5	17.2	0.23
F-SES-2044-S	124	19.25	41.69	0.5	17.6	0.23
F-SES-2044D-S	124	19.25	42.19	0.5	17.8	0.23
F-SES-2045-S	124	19.25	42.69	0.5	18	0.24
F-SES-2046-S	133	19.25	43.69	0.5	18.4	0.24
F-SES-2048-S	133	19.25	45.69	0.5	19.2	0.25
F-SES-2050-S	142	19.25	47.69	0.5	20	0.27
F-SES-2051-S	142	19.25	48.69	0.5	20.4	0.27
F-SES-2052-S	147	19.25	49.69	0.5	20.8	0.28
F-SES-2053-S	147	19.25	50.69	0.5	21.2	0.28
F-SES-2054-S	147	19.25	51.69	0.5	21.6	0.29
F-SES-2056-S	156	19.25	53.69	0.5	22.4	0.3
F-SES-2057-S	156	19.25	54.69	0.5	22.8	0.3
F-SES-2058-S	164	19.25	55.69	0.5	23.2	0.31
F-SES-2059-S	164	19.25	56.69	0.5	23.6	0.32
F-SES-2060-S	164	19.25	57.69	0.5	24	0.32
F-SES-2062-S	169	19.25	59.69	0.5	24.8	0.33
F-SES-2063-S	169	19.25	60.69	0.5	25.2	0.34
F-SES-2064-S	179	19.25	61.69	0.5	25.6	0.34
F-SES-2065-S	179	19.25	62.69	0.5	26	0.35
F-SES-2066-S	179	19.25	63.69	0.5	26.4	0.35

Code	Price	H (in.)	W (in.)	D 1 (in.)	Weight (lb)	Volume (ft ³)
F-SES-1224-W	124	11.38	21.69	0.5	6.4	0.07
F-SES-1230-W	150	11.38	27.69	0.5	8	0.09
F-SES-1236-W	179	11.38	33.69	0.5	9.6	0.11
F-SES-1237-W	189	11.38	34.69	0.5	9.88	0.11
F-SES-1237D-W	189	11.38	35.19	0.5	10.03	0.12
F-SES-1238-W	189	11.38	35.69	0.5	10.17	0.12
F-SES-1238D-W	189	11.38	36.19	0.5	10.31	0.12
F-SES-1239-W	189	11.38	36.69	0.5	10.4	0.12
F-SES-1240-W	205	11.38	37.69	0.5	10.68	0.12
F-SES-1241-W	205	11.38	38.69	0.5	10.97	0.13
F-SES-1241D-W	205	11.38	39.19	0.5	11.11	0.13
F-SES-1242-W	205	11.38	39.69	0.5	11.2	0.13
F-SES-1243-W	219	11.38	40.69	0.5	11.47	0.13
F-SES-1244-W	219	11.38	41.69	0.5	11.73	0.14
F-SES-1244D-W	219	11.38	42.19	0.5	11.87	0.14
F-SES-1245-W	219	11.38	42.69	0.5	12	0.14
F-SES-1246-W	233	11.38	43.69	0.5	12.27	0.14
F-SES-1248-W	233	11.38	45.69	0.5	12.8	0.15
F-SES-1250-W	246	11.38	47.69	0.5	13.33	0.16
F-SES-1251-W	246	11.38	48.69	0.5	13.6	0.16
F-SES-1252-W	257	11.38	49.69	0.5	13.87	0.16
F-SES-1253-W	257	11.38	50.69	0.5	14.13	0.17
F-SES-1254-W	257	11.38	51.69	0.5	14.4	0.17
F-SES-1256-W	274	11.38	53.69	0.5	14.93	0.18
F-SES-1257-W	274	11.38	54.69	0.5	15.2	0.18
F-SES-1258-W	288	11.38	55.69	0.5	15.47	0.18
F-SES-1259-W	288	11.38	56.69	0.5	15.73	0.19
F-SES-1260-W	288	11.38	57.69	0.5	16	0.19
F-SES-1262-W	304	11.38	59.69	0.5	16.53	0.2
F-SES-1263-W	304	11.38	60.69	0.5	16.8	0.2
F-SES-1264-W	315	11.38	61.69	0.5	17.07	0.2
F-SES-1265-W	315	11.38	62.69	0.5	17.33	0.21
F-SES-1266-W	315	11.38	63.69	0.5	17.6	0.21

Code	Price	H (in.)	W (in.)	D 1 (in.)	Weight (lb)	Volume (ft ³)
F-SES-1424-W	134	13.25	21.69	0.5	7.47	0.08
F-SES-1430-W	167	13.25	27.69	0.5	9.33	0.11
F-SES-1434-W	197	13.25	31.69	0.5	11.2	0.12
F-SES-1434D-W	197	13.25	32.19	0.5	11.2	0.12
F-SES-1435-W	197	13.25	32.69	0.5	11.2	0.13
F-SES-1435D-W	197	13.25	33.19	0.5	11.2	0.13
F-SES-1436-W	197	13.25	33.69	0.5	11.2	0.13
F-SES-1437-W	212	13.25	34.69	0.5	11.51	0.13
F-SES-1437D-W	212	13.25	35.19	0.5	11.67	0.13
F-SES-1438-W	212	13.25	35.69	0.5	11.82	0.14
F-SES-1438D-W	212	13.25	36.19	0.5	11.98	0.14
F-SES-1439-W	212	13.25	36.69	0.5	12.13	0.14
F-SES-1440-W	229	13.25	37.69	0.5	12.45	0.14
F-SES-1441-W	229	13.25	38.69	0.5	12.76	0.15
F-SES-1441D-W	229	13.25	39.19	0.5	12.91	0.15
F-SES-1442-W	229	13.25	39.69	0.5	13.07	0.15
F-SES-1443-W	245	13.25	40.69	0.5	13.38	0.16
F-SES-1444-W	245	13.25	41.69	0.5	13.69	0.16
F-SES-1444D-W	245	13.25	42.19	0.5	13.85	0.16
F-SES-1445-W	245	13.25	42.69	0.5	14	0.16
F-SES-1446-W	257	13.25	43.69	0.5	14.31	0.17
F-SES-1448-W	257	13.25	45.69	0.5	14.93	0.18
F-SES-1450-W	276	13.25	47.69	0.5	15.56	0.18
F-SES-1451-W	276	13.25	48.69	0.5	15.87	0.19
F-SES-1452-W	289	13.25	49.69	0.5	16.18	0.19
F-SES-1453-W	289	13.25	50.69	0.5	16.49	0.19
F-SES-1454-W	289	13.25	51.69	0.5	16.8	0.2
F-SES-1456-W	307	13.25	53.69	0.5	17.42	0.21
F-SES-1457-W	307	13.25	54.69	0.5	17.73	0.21
F-SES-1458-W	322	13.25	55.69	0.5	18.04	0.21
F-SES-1459-W	322	13.25	56.69	0.5	18.36	0.22
F-SES-1460-W	322	13.25	57.69	0.5	18.67	0.22
F-SES-1462-W	338	13.25	59.69	0.5	19.29	0.23
F-SES-1463-W	338	13.25	60.69	0.5	19.6	0.23
F-SES-1464-W	352	13.25	61.69	0.5	19.91	0.24
F-SES-1465-W	352	13.25	62.69	0.5	20.22	0.24
F-SES-1466-W	352	13.25	63.69	0.5	20.53	0.24

Code	Price	H (in.)	W (in.)	D 1 (in.)	Weight (lb)	Volume (ft ³)
F-SES-2024-W	180	19.25	21.69	0.5	10.67	0.12
F-SES-2030-W	222	19.25	27.69	0.5	13.33	0.15
F-SES-2034-W	261	19.25	31.69	0.5	16	0.18
F-SES-2034D-W	261	19.25	32.19	0.5	16	0.18
F-SES-2035-W	261	19.25	32.69	0.5	16	0.18
F-SES-2035D-W	261	19.25	33.19	0.5	16	0.18
F-SES-2036-W	261	19.25	33.69	0.5	16	0.19
F-SES-2037-W	283	19.25	34.69	0.5	16.45	0.19
F-SES-2037D-W	283	19.25	35.19	0.5	16.67	0.2
F-SES-2038-W	283	19.25	35.69	0.5	16.89	0.2
F-SES-2038D-W	283	19.25	36.19	0.5	17.11	0.2
F-SES-2039-W	283	19.25	36.69	0.5	17.33	0.2
F-SES-2040-W	306	19.25	37.69	0.5	17.78	0.21
F-SES-2041-W	306	19.25	38.69	0.5	18.22	0.22
F-SES-2041D-W	306	19.25	39.19	0.5	18.45	0.22
F-SES-2042-W	306	19.25	39.69	0.5	18.67	0.22
F-SES-2043-W	326	19.25	40.69	0.5	19.11	0.23
F-SES-2044-W	326	19.25	41.69	0.5	19.56	0.23
F-SES-2044D-W	326	19.25	42.19	0.5	19.78	0.23
F-SES-2045-W	326	19.25	42.69	0.5	20	0.24
F-SES-2046-W	347	19.25	43.69	0.5	20.44	0.24
F-SES-2048-W	347	19.25	45.69	0.5	21.33	0.25
F-SES-2050-W	366	19.25	47.69	0.5	22.22	0.27
F-SES-2051-W	366	19.25	48.69	0.5	22.67	0.27
F-SES-2052-W	387	19.25	49.69	0.5	23.11	0.28
F-SES-2053-W	387	19.25	50.69	0.5	23.56	0.28
F-SES-2054-W	387	19.25	51.69	0.5	24	0.29
F-SES-2056-W	410	19.25	53.69	0.5	24.89	0.3
F-SES-2057-W	410	19.25	54.69	0.5	25.33	0.3
F-SES-2058-W	430	19.25	55.69	0.5	25.78	0.31
F-SES-2059-W	430	19.25	56.69	0.5	26.22	0.32
F-SES-2060-W	430	19.25	57.69	0.5	26.67	0.32
F-SES-2062-W	449	19.25	59.69	0.5	27.56	0.33
F-SES-2063-W	449	19.25	60.69	0.5	28	0.34
F-SES-2064-W	473	19.25	61.69	0.5	28.44	0.34
F-SES-2065-W	473	19.25	62.69	0.5	28.89	0.35
F-SES-2066-W	473	19.25	63.69	0.5	29.33	0.35

Code	Price	H (in.)	W (in.)	D 1 (in.)	Weight (lb)	Volume (ft ³)
F-SES-0624-T	119	5.38	21.69	0.5	2.88	0.03
F-SES-0630-T	144	5.38	27.69	0.5	3.6	0.04
F-SES-0636-T	168	5.38	33.69	0.5	4.32	0.05
F-SES-0637-T	182	5.38	34.69	0.5	4.45	0.05
F-SES-0637D-T	182	5.38	35.19	0.5	4.51	0.05
F-SES-0638-T	182	5.38	35.69	0.5	4.58	0.06
F-SES-0638D-T	182	5.38	36.19	0.5	4.64	0.06
F-SES-0639-T	182	5.38	36.69	0.5	4.68	0.06
F-SES-0640-T	195	5.38	37.69	0.5	4.81	0.06
F-SES-0641-T	195	5.38	38.69	0.5	4.94	0.06
F-SES-0641D-T	195	5.38	39.19	0.5	5	0.06
F-SES-0642-T	195	5.38	39.69	0.5	5.04	0.06
F-SES-0643-T	205	5.38	40.69	0.5	5.17	0.06
F-SES-0644-T	205	5.38	41.69	0.5	5.28	0.06
F-SES-0644D-T	205	5.38	42.19	0.5	5.34	0.07
F-SES-0645-T	205	5.38	42.69	0.5	5.4	0.07
F-SES-0646-T	219	5.38	43.69	0.5	5.52	0.07
F-SES-0648-T	219	5.38	45.69	0.5	5.76	0.07
F-SES-0650-T	230	5.38	47.69	0.5	6	0.07
F-SES-0651-T	230	5.38	48.69	0.5	6.12	0.08
F-SES-0652-T	244	5.38	49.69	0.5	6.24	0.08
F-SES-0653-T	244	5.38	50.69	0.5	6.36	0.08
F-SES-0654-T	244	5.38	51.69	0.5	6.48	0.08
F-SES-0656-T	256	5.38	53.69	0.5	6.72	0.08
F-SES-0657-T	256	5.38	54.69	0.5	6.84	0.09
F-SES-0658-T	268	5.38	55.69	0.5	6.96	0.09
F-SES-0659-T	268	5.38	56.69	0.5	7.08	0.09
F-SES-0660-T	268	5.38	57.69	0.5	7.2	0.09
F-SES-0662-T	281	5.38	59.69	0.5	7.44	0.09
F-SES-0663-T	281	5.38	60.69	0.5	7.56	0.09
F-SES-0664-T	293	5.38	61.69	0.5	7.68	0.1
F-SES-0665-T	293	5.38	62.69	0.5	7.8	0.1
F-SES-0666-T	293	5.38	63.69	0.5	7.92	0.1

Code	Price	H (in.)	W (in.)	D 1 (in.)	Weight (lb)	Volume (ft ³)
F-SES-1224-T	179	11.38	21.69	0.5	5.76	0.07
F-SES-1230-T	218	11.38	27.69	0.5	7.2	0.09
F-SES-1235-T	256	11.38	32.69	0.5	8.64	0.11
F-SES-1236-T	256	11.38	33.69	0.5	8.64	0.11
F-SES-1237-T	276	11.38	34.69	0.5	8.9	0.11
F-SES-1237D-T	276	11.38	35.19	0.5	9.02	0.12
F-SES-1238-T	276	11.38	35.69	0.5	9.15	0.12
F-SES-1238D-T	276	11.38	36.19	0.5	9.28	0.12
F-SES-1239-T	276	11.38	36.69	0.5	9.36	0.12
F-SES-1240-T	293	11.38	37.69	0.5	9.62	0.12
F-SES-1241-T	293	11.38	38.69	0.5	9.87	0.13
F-SES-1241D-T	293	11.38	39.19	0.5	10	0.13
F-SES-1242-T	293	11.38	39.69	0.5	10.08	0.13
F-SES-1243-T	314	11.38	40.69	0.5	10.32	0.13
F-SES-1244-T	314	11.38	41.69	0.5	10.56	0.14
F-SES-1244D-T	314	11.38	42.19	0.5	10.68	0.14
F-SES-1245-T	314	11.38	42.69	0.5	10.8	0.14
F-SES-1246-T	333	11.38	43.69	0.5	11.04	0.14
F-SES-1248-T	333	11.38	45.69	0.5	11.52	0.15
F-SES-1250-T	350	11.38	47.69	0.5	12	0.16
F-SES-1251-T	350	11.38	48.69	0.5	12.24	0.16
F-SES-1252-T	367	11.38	49.69	0.5	12.48	0.16
F-SES-1253-T	367	11.38	50.69	0.5	12.72	0.17
F-SES-1254-T	367	11.38	51.69	0.5	12.96	0.17
F-SES-1256-T	391	11.38	53.69	0.5	13.44	0.18
F-SES-1257-T	391	11.38	54.69	0.5	13.68	0.18
F-SES-1258-T	407	11.38	55.69	0.5	13.92	0.18
F-SES-1259-T	407	11.38	56.69	0.5	14.16	0.19
F-SES-1260-T	407	11.38	57.69	0.5	14.4	0.19
F-SES-1262-T	427	11.38	59.69	0.5	14.88	0.2
F-SES-1263-T	427	11.38	60.69	0.5	15.12	0.2
F-SES-1264-T	448	11.38	61.69	0.5	15.36	0.2
F-SES-1265-T	448	11.38	62.69	0.5	15.6	0.21
F-SES-1266-T	448	11.38	63.69	0.5	15.84	0.21

Code	Price	H (in.)	W (in.)	D 1 (in.)	Weight (lb)	Volume (ft ³)
F-SES-1424-T	197	13.25	21.69	0.5	6.72	0.07
F-SES-1430-T	242	13.25	27.69	0.5	8.4	0.11
F-SES-1434-T	282	13.25	31.69	0.5	10.08	0.12
F-SES-1434D-T	282	13.25	32.19	0.5	10.08	0.12
F-SES-1435-T	282	13.25	32.69	0.5	10.08	0.12
F-SES-1435D-T	282	13.25	33.19	0.5	10.08	0.13
F-SES-1436-T	282	13.25	33.69	0.5	10.08	0.13
F-SES-1437-T	305	13.25	34.69	0.5	10.36	0.13
F-SES-1437D-T	305	13.25	35.19	0.5	10.5	0.13
F-SES-1438-T	305	13.25	35.69	0.5	10.64	0.13
F-SES-1438D-T	305	13.25	36.19	0.5	10.78	0.14
F-SES-1439-T	305	13.25	36.69	0.5	10.92	0.14
F-SES-1440-T	325	13.25	37.69	0.5	11.2	0.14
F-SES-1441-T	325	13.25	38.69	0.5	11.48	0.14
F-SES-1441D-T	325	13.25	39.19	0.5	11.62	0.15
F-SES-1442-T	325	13.25	39.69	0.5	11.76	0.15
F-SES-1443-T	347	13.25	40.69	0.5	12.04	0.15
F-SES-1444-T	347	13.25	41.69	0.5	12.32	0.16
F-SES-1444D-T	347	13.25	42.19	0.5	12.46	0.16
F-SES-1445-T	347	13.25	42.69	0.5	12.6	0.16
F-SES-1446-T	366	13.25	43.69	0.5	12.88	0.17
F-SES-1448-T	366	13.25	45.69	0.5	13.44	0.18
F-SES-1450-T	389	13.25	47.69	0.5	14	0.18
F-SES-1451-T	389	13.25	48.69	0.5	14.28	0.19
F-SES-1452-T	410	13.25	49.69	0.5	14.56	0.19
F-SES-1453-T	410	13.25	50.69	0.5	14.84	0.19
F-SES-1454-T	410	13.25	51.69	0.5	15.12	0.2
F-SES-1456-T	431	13.25	53.69	0.5	15.68	0.21
F-SES-1457-T	431	13.25	54.69	0.5	15.96	0.21
F-SES-1458-T	452	13.25	55.69	0.5	16.24	0.21
F-SES-1459-T	452	13.25	56.69	0.5	16.52	0.22
F-SES-1460-T	452	13.25	57.69	0.5	16.8	0.22
F-SES-1462-T	474	13.25	59.69	0.5	17.36	0.23
F-SES-1463-T	474	13.25	60.69	0.5	17.64	0.23
F-SES-1464-T	495	13.25	61.69	0.5	17.92	0.24
F-SES-1465-T	495	13.25	62.69	0.5	18.2	0.24
F-SES-1466-T	495	13.25	63.69	0.5	18.48	0.24

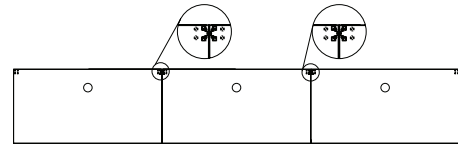
Code	Price	H (in.)	W (in.)	D 1 (in.)	Weight (lb)	Volume (ft ³)
F-SES-2024-T	257	19.25	21.69	0.5	9.6	0.12
F-SES-2030-T	314	19.25	27.69	0.5	12	0.15
F-SES-2034-T	367	19.25	31.69	0.5	14.4	0.18
F-SES-2034D-T	367	19.25	32.19	0.5	14.4	0.18
F-SES-2035-T	367	19.25	32.69	0.5	14.4	0.18
F-SES-2035D-T	367	19.25	33.19	0.5	14.4	0.18
F-SES-2036-T	367	19.25	33.69	0.5	14.4	0.19
F-SES-2037-T	398	19.25	34.69	0.5	14.8	0.19
F-SES-2037D-T	398	19.25	35.19	0.5	15	0.2
F-SES-2038-T	398	19.25	35.69	0.5	15.2	0.2
F-SES-2038D-T	398	19.25	36.19	0.5	15.4	0.2
F-SES-2039-T	398	19.25	36.69	0.5	15.6	0.2
F-SES-2040-T	426	19.25	37.69	0.5	16	0.21
F-SES-2041-T	426	19.25	38.69	0.5	16.4	0.22
F-SES-2041D-T	426	19.25	39.19	0.5	16.6	0.22
F-SES-2042-T	426	19.25	39.69	0.5	16.8	0.22
F-SES-2043-T	452	19.25	40.69	0.5	17.2	0.23
F-SES-2044-T	452	19.25	41.69	0.5	17.6	0.23
F-SES-2044D-T	452	19.25	42.19	0.5	17.8	0.23
F-SES-2045-T	452	19.25	42.69	0.5	18	0.24
F-SES-2046-T	481	19.25	43.69	0.5	18.4	0.24
F-SES-2048-T	481	19.25	45.69	0.5	19.2	0.25
F-SES-2050-T	508	19.25	47.69	0.5	20	0.27
F-SES-2051-T	508	19.25	48.69	0.5	20.4	0.27
F-SES-2052-T	536	19.25	49.69	0.5	20.8	0.28
F-SES-2053-T	536	19.25	50.69	0.5	21.2	0.28
F-SES-2054-T	536	19.25	51.69	0.5	21.6	0.29
F-SES-2056-T	564	19.25	53.69	0.5	22.4	0.3
F-SES-2057-T	564	19.25	54.69	0.5	22.8	0.3
F-SES-2058-T	593	19.25	55.69	0.5	23.2	0.31
F-SES-2059-T	593	19.25	56.69	0.5	23.6	0.32
F-SES-2060-T	593	19.25	57.69	0.5	24	0.32
F-SES-2062-T	622	19.25	59.69	0.5	24.8	0.33
F-SES-2063-T	622	19.25	60.69	0.5	25.2	0.34
F-SES-2064-T	650	19.25	61.69	0.5	25.6	0.34
F-SES-2065-T	650	19.25	62.69	0.5	26	0.35
F-SES-2066-T	650	19.25	63.69	0.5	26.4	0.35

Code	Price	H (in.)	W (in.)	D 1 (in.)	Weight (lb)	Volume (ft ³)
F-SES-0624-F	81	5.38	21.69	0.5	1.44	0.03
F-SES-0630-F	99	5.38	27.69	0.5	1.8	0.04
F-SES-0636-F	117	5.38	33.69	0.5	2.16	0.05
F-SES-0637-F	124	5.38	34.69	0.5	2.22	0.05
F-SES-0637D-F	124	5.38	35.19	0.5	2.26	0.05
F-SES-0638-F	124	5.38	35.69	0.5	2.29	0.06
F-SES-0638D-F	124	5.38	36.19	0.5	2.32	0.06
F-SES-0639-F	124	5.38	36.69	0.5	2.34	0.06
F-SES-0640-F	134	5.38	37.69	0.5	2.4	0.06
F-SES-0641-F	134	5.38	38.69	0.5	2.47	0.06
F-SES-0641D-F	134	5.38	39.19	0.5	2.5	0.06
F-SES-0642-F	134	5.38	39.69	0.5	2.52	0.06
F-SES-0643-F	143	5.38	40.69	0.5	2.58	0.06
F-SES-0644-F	143	5.38	41.69	0.5	2.64	0.06
F-SES-0644D-F	143	5.38	42.19	0.5	2.67	0.07
F-SES-0645-F	143	5.38	42.69	0.5	2.7	0.07
F-SES-0646-F	150	5.38	43.69	0.5	2.76	0.07
F-SES-0648-F	150	5.38	45.69	0.5	2.88	0.07
F-SES-0650-F	160	5.38	47.69	0.5	3	0.07
F-SES-0651-F	160	5.38	48.69	0.5	3.06	0.08
F-SES-0652-F	168	5.38	49.69	0.5	3.12	0.08
F-SES-0653-F	168	5.38	50.69	0.5	3.18	0.08
F-SES-0654-F	168	5.38	51.69	0.5	3.24	0.08
F-SES-0656-F	179	5.38	53.69	0.5	3.36	0.08
F-SES-0657-F	179	5.38	54.69	0.5	3.42	0.09
F-SES-0658-F	189	5.38	55.69	0.5	3.48	0.09
F-SES-0659-F	189	5.38	56.69	0.5	3.54	0.09
F-SES-0660-F	189	5.38	57.69	0.5	3.6	0.09
F-SES-0662-F	196	5.38	59.69	0.5	3.72	0.09
F-SES-0663-F	196	5.38	60.69	0.5	3.78	0.09
F-SES-0664-F	204	5.38	61.69	0.5	3.84	0.1
F-SES-0665-F	204	5.38	62.69	0.5	3.9	0.1
F-SES-0666-F	204	5.38	63.69	0.5	3.96	0.1

Code	Price	H (in.)	W (in.)	D 1 (in.)	Weight (lb)	Volume (ft ³)
F-SES-1224-F	121	11.38	21.69	0.5	2.88	0.07
F-SES-1230-F	149	11.38	27.69	0.5	3.6	0.09
F-SES-1236-F	178	11.38	33.69	0.5	4.32	0.11
F-SES-1237-F	191	11.38	34.69	0.5	4.45	0.11
F-SES-1237D-F	191	11.38	35.19	0.5	4.51	0.12
F-SES-1238-F	191	11.38	35.69	0.5	4.58	0.12
F-SES-1238D-F	191	11.38	36.19	0.5	4.64	0.12
F-SES-1239-F	191	11.38	36.69	0.5	4.68	0.12
F-SES-1240-F	204	11.38	37.69	0.5	4.81	0.12
F-SES-1241-F	204	11.38	38.69	0.5	4.94	0.13
F-SES-1241D-F	204	11.38	39.19	0.5	5	0.13
F-SES-1242-F	204	11.38	39.69	0.5	5.04	0.13
F-SES-1243-F	219	11.38	40.69	0.5	5.16	0.13
F-SES-1244-F	219	11.38	41.69	0.5	5.28	0.14
F-SES-1244D-F	219	11.38	42.19	0.5	5.34	0.14
F-SES-1245-F	219	11.38	42.69	0.5	5.4	0.14
F-SES-1246-F	230	11.38	43.69	0.5	5.52	0.14
F-SES-1248-F	230	11.38	45.69	0.5	5.76	0.15
F-SES-1250-F	245	11.38	47.69	0.5	6	0.16
F-SES-1251-F	245	11.38	48.69	0.5	6.12	0.16
F-SES-1252-F	259	11.38	49.69	0.5	6.24	0.16
F-SES-1253-F	259	11.38	50.69	0.5	6.36	0.17
F-SES-1254-F	259	11.38	51.69	0.5	6.48	0.17
F-SES-1256-F	274	11.38	53.69	0.5	6.72	0.18
F-SES-1257-F	274	11.38	54.69	0.5	6.84	0.18
F-SES-1258-F	285	11.38	55.69	0.5	6.96	0.18
F-SES-1259-F	285	11.38	56.69	0.5	7.08	0.19
F-SES-1260-F	285	11.38	57.69	0.5	7.2	0.19
F-SES-1262-F	300	11.38	59.69	0.5	7.44	0.2
F-SES-1263-F	300	11.38	60.69	0.5	7.56	0.2
F-SES-1264-F	314	11.38	61.69	0.5	7.68	0.2
F-SES-1265-F	314	11.38	62.69	0.5	7.8	0.21
F-SES-1266-F	314	11.38	63.69	0.5	7.92	0.21

Code	Price	H (in.)	W (in.)	D 1 (in.)	Weight (lb)	Volume (ft ³)
F-SES-1424-F	135	13.25	21.69	0.5	3.36	0.08
F-SES-1430-F	165	13.25	27.69	0.5	4.2	0.11
F-SES-1434-F	196	13.25	31.69	0.5	5.04	0.12
F-SES-1434D-F	196	13.25	32.19	0.5	5.04	0.12
F-SES-1435-F	196	13.25	32.69	0.5	5.04	0.13
F-SES-1435D-F	196	13.25	33.19	0.5	5.04	0.13
F-SES-1436-F	196	13.25	33.69	0.5	5.04	0.13
F-SES-1437-F	208	13.25	34.69	0.5	5.18	0.13
F-SES-1437D-F	208	13.25	35.19	0.5	5.25	0.13
F-SES-1438-F	208	13.25	35.69	0.5	5.32	0.14
F-SES-1438D-F	208	13.25	36.19	0.5	5.39	0.14
F-SES-1439-F	208	13.25	36.69	0.5	5.46	0.14
F-SES-1440-F	227	13.25	37.69	0.5	5.6	0.14
F-SES-1441-F	227	13.25	38.69	0.5	5.74	0.15
F-SES-1441D-F	227	13.25	39.19	0.5	5.81	0.15
F-SES-1442-F	227	13.25	39.69	0.5	5.88	0.15
F-SES-1443-F	243	13.25	40.69	0.5	6.02	0.16
F-SES-1444-F	243	13.25	41.69	0.5	6.16	0.16
F-SES-1444D-F	243	13.25	42.19	0.5	6.23	0.16
F-SES-1445-F	243	13.25	42.69	0.5	6.3	0.16
F-SES-1446-F	256	13.25	43.69	0.5	6.44	0.17
F-SES-1448-F	256	13.25	45.69	0.5	6.72	0.18
F-SES-1450-F	271	13.25	47.69	0.5	7	0.18
F-SES-1451-F	271	13.25	48.69	0.5	7.14	0.19
F-SES-1452-F	286	13.25	49.69	0.5	7.28	0.19
F-SES-1453-F	286	13.25	50.69	0.5	7.42	0.19
F-SES-1454-F	286	13.25	51.69	0.5	7.56	0.2
F-SES-1456-F	301	13.25	53.69	0.5	7.84	0.21
F-SES-1457-F	301	13.25	54.69	0.5	7.98	0.21
F-SES-1458-F	317	13.25	55.69	0.5	8.12	0.21
F-SES-1459-F	317	13.25	56.69	0.5	8.26	0.22
F-SES-1460-F	317	13.25	57.69	0.5	8.4	0.22
F-SES-1462-F	333	13.25	59.69	0.5	8.68	0.23
F-SES-1463-F	333	13.25	60.69	0.5	8.82	0.23
F-SES-1464-F	348	13.25	61.69	0.5	8.96	0.24
F-SES-1465-F	348	13.25	62.69	0.5	9.1	0.24
F-SES-1466-F	348	13.25	63.69	0.5	9.24	0.24

Code	Price	H (in.)	W (in.)	D 1 (in.)	Weight (lb)	Volume (ft ³)
F-SES-2024-F	178	19.25	21.69	0.5	4.8	0.12
F-SES-2030-F	218	19.25	27.69	0.5	6	0.15
F-SES-2034-F	256	19.25	31.69	0.5	7.2	0.18
F-SES-2034D-F	256	19.25	32.19	0.5	7.2	0.18
F-SES-2035-F	256	19.25	32.69	0.5	7.2	0.18
F-SES-2035D-F	256	19.25	33.19	0.5	7.2	0.18
F-SES-2036-F	256	19.25	33.69	0.5	7.2	0.19
F-SES-2037-F	277	19.25	34.69	0.5	7.4	0.19
F-SES-2037D-F	277	19.25	35.19	0.5	7.5	0.2
F-SES-2038-F	277	19.25	35.69	0.5	7.6	0.2
F-SES-2038D-F	277	19.25	36.19	0.5	7.7	0.2
F-SES-2039-F	277	19.25	36.69	0.5	7.8	0.2
F-SES-2040-F	298	19.25	37.69	0.5	8	0.21
F-SES-2041-F	298	19.25	38.69	0.5	8.2	0.22
F-SES-2041D-F	298	19.25	39.19	0.5	8.3	0.22
F-SES-2042-F	298	19.25	39.69	0.5	8.4	0.22
F-SES-2043-F	317	19.25	40.69	0.5	8.6	0.23
F-SES-2044-F	317	19.25	41.69	0.5	8.8	0.23
F-SES-2044D-F	317	19.25	42.19	0.5	8.9	0.23
F-SES-2045-F	317	19.25	42.69	0.5	9	0.24
F-SES-2046-F	339	19.25	43.69	0.5	9.2	0.24
F-SES-2048-F	339	19.25	45.69	0.5	9.6	0.25
F-SES-2050-F	354	19.25	47.69	0.5	10	0.27
F-SES-2051-F	354	19.25	48.69	0.5	10.2	0.27
F-SES-2052-F	377	19.25	49.69	0.5	10.4	0.28
F-SES-2053-F	377	19.25	50.69	0.5	10.6	0.28
F-SES-2054-F	377	19.25	51.69	0.5	10.8	0.29
F-SES-2056-F	397	19.25	53.69	0.5	11.2	0.3
F-SES-2057-F	397	19.25	54.69	0.5	11.4	0.3
F-SES-2058-F	418	19.25	55.69	0.5	11.6	0.31
F-SES-2059-F	418	19.25	56.69	0.5	11.8	0.32
F-SES-2060-F	418	19.25	57.69	0.5	12	0.32
F-SES-2062-F	435	19.25	59.69	0.5	12.4	0.33
F-SES-2063-F	435	19.25	60.69	0.5	12.6	0.34
F-SES-2064-F	455	19.25	61.69	0.5	12.8	0.34
F-SES-2065-F	455	19.25	62.69	0.5	13	0.35
F-SES-2066-F	455	19.25	63.69	0.5	13.2	0.35



What's Included:

Privacy screen (1), Horizontal rails (2), vertical retainers (2).

How to Specify:

Available in various heights and widths to provide specific workstation requirements

Privacy screens can be specified in sold laminate, whiteboard, quilted felt, fabric/tackboard, and frost acrylic.

Notes:

Privacy screen posts are 2-inches by 2-inches wide and are sold separately.

Options:

Height	6", 12", 14", 20"
Width	24", 30", 36", 42", 44", 45", 46", 48", 50", 51", 52", 53", 54", 56", 57", 58", 59", 60", 62", 63", 64", 65", 66", 68", 69", 70", 71", 72"
Screen material	S solid Q felt W whiteboard T fabric/tackboard F frost

How to Order and Read your Code:

F	SSS	12	60	F
product line	item	height	width	acrylic

Code	Price	H (in.)	W (in.)	D T (in.)	Weight (lb)	Volume (ft ³)
F-SSS-0624-S	45	5.38	22.97	0.5	2.88	0.04
F-SSS-0630-S	52	5.38	28.97	0.5	3.6	0.05
F-SSS-0636-S	59	5.38	34.97	0.5	4.32	0.05
F-SSS-0637-S	64	5.38	35.97	0.5	4.44	0.06
F-SSS-0637D-S	64	5.38	36.47	0.5	4.5	0.06
F-SSS-0638-S	64	5.38	36.97	0.5	4.56	0.06
F-SSS-0638D-S	64	5.38	37.47	0.5	4.62	0.06
F-SSS-0639-S	64	5.38	37.97	0.5	4.68	0.06
F-SSS-0640-S	68	5.38	38.97	0.5	4.8	0.06
F-SSS-0641-S	68	5.38	39.97	0.5	4.92	0.06
F-SSS-0641D-S	68	5.38	40.47	0.5	4.98	0.06
F-SSS-0642-S	68	5.38	40.97	0.5	5.04	0.06
F-SSS-0643-S	73	5.38	41.97	0.5	5.16	0.07
F-SSS-0644-S	73	5.38	42.97	0.5	5.28	0.07
F-SSS-0644D-S	73	5.38	43.47	0.5	5.34	0.07
F-SSS-0645-S	73	5.38	43.97	0.5	5.4	0.07
F-SSS-0648-S	77	5.38	46.97	0.5	5.76	0.07
F-SSS-0654-S	84	5.38	52.97	0.5	6.48	0.08
F-SSS-0660-S	94	5.38	58.97	0.5	7.2	0.09
F-SSS-0666-S	103	5.38	64.97	0.5	7.92	0.1

Code	Price	H (in.)	W (in.)	D 1 (in.)	Weight (lb)	Volume (ft ³)
F-SSS-1224-S	56	11.38	22.97	0.5	5.76	0.08
F-SSS-1230-S	67	11.38	28.97	0.5	7.2	0.1
F-SSS-1236-S	79	11.38	34.97	0.5	8.64	0.12
F-SSS-1237-S	84	11.38	35.97	0.5	8.88	0.12
F-SSS-1237D-S	84	11.38	36.47	0.5	9	0.12
F-SSS-1238-S	84	11.38	36.97	0.5	9.12	0.12
F-SSS-1238D-S	84	11.38	37.47	0.5	9.24	0.12
F-SSS-1239-S	84	11.38	37.97	0.5	9.36	0.12
F-SSS-1240-S	89	11.38	38.97	0.5	9.6	0.13
F-SSS-1241-S	89	11.38	39.97	0.5	9.84	0.13
F-SSS-1241D-S	89	11.38	40.47	0.5	9.96	0.13
F-SSS-1242-S	89	11.38	40.97	0.5	10.08	0.13
F-SSS-1243-S	95	11.38	41.97	0.5	10.32	0.14
F-SSS-1244-S	95	11.38	42.97	0.5	10.56	0.14
F-SSS-1244D-S	95	11.38	43.47	0.5	10.68	0.14
F-SSS-1245-S	95	11.38	43.97	0.5	10.8	0.14
F-SSS-1248-S	103	11.38	46.97	0.5	11.52	0.15
F-SSS-1254-S	113	11.38	52.97	0.5	12.96	0.17
F-SSS-1260-S	122	11.38	58.97	0.5	14.4	0.19
F-SSS-1266-S	134	11.38	64.97	0.5	15.84	0.21

Code	Price	H (in.)	W (in.)	D 1 (in.)	Weight (lb)	Volume (ft ³)
F-SSS-1424-S	59	13.25	22.97	0.5	6.72	0.09
F-SSS-1430-S	73	13.25	28.97	0.5	8.4	0.11
F-SSS-1434-S	84	13.25	32.97	0.5	10.08	0.13
F-SSS-1434D-S	84	13.25	33.47	0.5	10.08	0.13
F-SSS-1435-S	84	13.25	33.97	0.5	10.08	0.13
F-SSS-1435D-S	84	13.25	34.47	0.5	10.08	0.13
F-SSS-1436-S	84	13.25	34.97	0.5	10.08	0.13
F-SSS-1437-S	89	13.25	35.97	0.5	10.36	0.14
F-SSS-1437D-S	89	13.25	36.47	0.5	10.5	0.14
F-SSS-1438-S	89	13.25	36.97	0.5	10.64	0.14
F-SSS-1438D-S	89	13.25	37.47	0.5	10.78	0.14
F-SSS-1439-S	89	13.25	37.97	0.5	10.92	0.15
F-SSS-1440-S	96	13.25	38.97	0.5	11.2	0.15
F-SSS-1441-S	96	13.25	39.97	0.5	11.48	0.15
F-SSS-1441D-S	96	13.25	40.47	0.5	11.62	0.16
F-SSS-1442-S	96	13.25	40.97	0.5	11.76	0.16
F-SSS-1443-S	105	13.25	41.97	0.5	12.04	0.16
F-SSS-1444-S	105	13.25	42.97	0.5	12.32	0.16
F-SSS-1444D-S	105	13.25	43.47	0.5	12.46	0.17
F-SSS-1445-S	105	13.25	43.97	0.5	12.6	0.17
F-SSS-1448-S	109	13.25	46.97	0.5	13.44	0.18
F-SSS-1454-S	120	13.25	52.97	0.5	15.12	0.2
F-SSS-1460-S	133	13.25	58.97	0.5	16.8	0.23
F-SSS-1466-S	145	13.25	64.97	0.5	18.48	0.25

Code	Price	H (in.)	W (in.)	D 1 (in.)	Weight (lb)	Volume (ft ³)
F-SSS-2024-S	75	19.25	22.97	0.5	9.6	0.13
F-SSS-2030-S	86	19.25	28.97	0.5	12	0.16
F-SSS-2034-S	105	19.25	32.97	0.5	14.4	0.18
F-SSS-2034D-S	105	19.25	33.47	0.5	14.4	0.19
F-SSS-2035-S	105	19.25	33.97	0.5	14.4	0.19
F-SSS-2035D-S	105	19.25	34.47	0.5	14.4	0.19
F-SSS-2036-S	105	19.25	34.97	0.5	14.4	0.19
F-SSS-2037-S	110	19.25	35.97	0.5	14.8	0.2
F-SSS-2037D-S	110	19.25	36.47	0.5	15	0.2
F-SSS-2038-S	110	19.25	36.97	0.5	15.2	0.21
F-SSS-2038D-S	110	19.25	37.47	0.5	15.4	0.21
F-SSS-2039-S	110	19.25	37.97	0.5	15.6	0.21
F-SSS-2040-S	119	19.25	38.97	0.5	16	0.22
F-SSS-2041-S	119	19.25	39.97	0.5	16.4	0.22
F-SSS-2041D-S	119	19.25	40.47	0.5	16.6	0.23
F-SSS-2042-S	119	19.25	40.97	0.5	16.8	0.23
F-SSS-2043-S	124	19.25	41.97	0.5	17.2	0.23
F-SSS-2044-S	124	19.25	42.97	0.5	17.6	0.24
F-SSS-2044D-S	124	19.25	43.47	0.5	17.8	0.24
F-SSS-2045-S	124	19.25	43.97	0.5	18	0.24
F-SSS-2048-S	133	19.25	46.97	0.5	19.2	0.26
F-SSS-2054-S	147	19.25	52.97	0.5	21.6	0.3
F-SSS-2060-S	164	19.25	58.97	0.5	24	0.33
F-SSS-2066-S	179	19.25	64.97	0.5	26.4	0.36

Code	Price	H (in.)	W (in.)	D 1 (in.)	Weight (lb)	Volume (ft ³)
F-SSS-1224-W	124	11.38	22.97	0.5	6.4	0.08
F-SSS-1230-W	150	11.38	28.97	0.5	8	0.1
F-SSS-1236-W	179	11.38	34.97	0.5	9.6	0.12
F-SSS-1237-W	189	11.38	35.97	0.5	9.87	0.12
F-SSS-1237D-W	189	11.38	36.47	0.5	10	0.12
F-SSS-1238-W	189	11.38	36.97	0.5	10.14	0.12
F-SSS-1238D-W	189	11.38	37.47	0.5	10.27	0.12
F-SSS-1239-W	189	11.38	37.97	0.5	10.4	0.12
F-SSS-1240-W	205	11.38	38.97	0.5	10.67	0.13
F-SSS-1241-W	205	11.38	39.97	0.5	10.94	0.13
F-SSS-1241D-W	205	11.38	40.47	0.5	11.07	0.13
F-SSS-1242-W	205	11.38	40.97	0.5	11.2	0.13
F-SSS-1243-W	219	11.38	41.97	0.5	11.47	0.14
F-SSS-1244-W	219	11.38	42.97	0.5	11.73	0.14
F-SSS-1244D-W	219	11.38	43.47	0.5	11.87	0.14
F-SSS-1245-W	219	11.38	43.97	0.5	12	0.14
F-SSS-1248-W	233	11.38	46.97	0.5	12.8	0.15
F-SSS-1254-W	257	11.38	52.97	0.5	14.4	0.17
F-SSS-1260-W	288	11.38	58.97	0.5	16	0.19
F-SSS-1266-W	315	11.38	64.97	0.5	17.6	0.21

Code	Price	H (in.)	W (in.)	D 1 (in.)	Weight (lb)	Volume (ft ³)
F-SSS-1424-W	134	13.25	22.97	0.5	7.47	0.09
F-SSS-1430-W	167	13.25	28.97	0.5	9.33	0.11
F-SSS-1434-W	197	13.25	32.97	0.5	11.2	0.13
F-SSS-1434D-W	197	13.25	33.47	0.5	11.2	0.13
F-SSS-1435-W	197	13.25	33.97	0.5	11.2	0.13
F-SSS-1435D-W	197	13.25	34.47	0.5	11.2	0.13
F-SSS-1436-W	197	13.25	34.97	0.5	11.2	0.13
F-SSS-1437-W	212	13.25	35.97	0.5	11.51	0.14
F-SSS-1437D-W	212	13.25	36.47	0.5	11.67	0.14
F-SSS-1438-W	212	13.25	36.97	0.5	11.82	0.14
F-SSS-1438D-W	212	13.25	37.47	0.5	11.98	0.14
F-SSS-1439-W	212	13.25	37.97	0.5	12.13	0.15
F-SSS-1440-W	229	13.25	38.97	0.5	12.45	0.15
F-SSS-1441-W	229	13.25	39.97	0.5	12.76	0.15
F-SSS-1441D-W	229	13.25	40.47	0.5	12.91	0.16
F-SSS-1442-W	229	13.25	40.97	0.5	13.07	0.16
F-SSS-1443-W	245	13.25	41.97	0.5	13.38	0.16
F-SSS-1444-W	245	13.25	42.97	0.5	13.69	0.16
F-SSS-1444D-W	245	13.25	43.47	0.5	13.85	0.17
F-SSS-1445-W	245	13.25	43.97	0.5	14	0.17
F-SSS-1448-W	257	13.25	46.97	0.5	14.93	0.18
F-SSS-1454-W	289	13.25	52.97	0.5	16.8	0.2
F-SSS-1460-W	322	13.25	58.97	0.5	18.67	0.23
F-SSS-1466-W	352	13.25	64.97	0.5	20.53	0.25

Code	Price	H (in.)	W (in.)	D 1 (in.)	Weight (lb)	Volume (ft ³)
F-SSS-2024-W	180	19.25	22.97	0.5	10.67	0.13
F-SSS-2030-W	222	19.25	28.97	0.5	13.33	0.16
F-SSS-2034-W	261	19.25	32.97	0.5	16	0.18
F-SSS-2034D-W	262	19.25	33.47	0.5	16	0.19
F-SSS-2035-W	261	19.25	33.97	0.5	16	0.19
F-SSS-2035D-W	261	19.25	34.47	0.5	16	0.19
F-SSS-2036-W	261	19.25	34.97	0.5	16	0.19
F-SSS-2037-W	283	19.25	35.97	0.5	16.45	0.2
F-SSS-2037D-W	283	19.25	36.47	0.5	16.67	0.2
F-SSS-2038-W	283	19.25	36.97	0.5	16.89	0.21
F-SSS-2038D-W	283	19.25	37.47	0.5	17.11	0.21
F-SSS-2039-W	283	19.25	37.97	0.5	17.33	0.21
F-SSS-2040-W	306	19.25	38.97	0.5	17.78	0.22
F-SSS-2041-W	306	19.25	39.97	0.5	18.22	0.22
F-SSS-2041D-W	306	19.25	40.47	0.5	18.45	0.23
F-SSS-2042-W	306	19.25	40.97	0.5	18.67	0.23
F-SSS-2043-W	326	19.25	41.97	0.5	19.11	0.23
F-SSS-2044-W	326	19.25	42.97	0.5	19.56	0.24
F-SSS-2044D-W	326	19.25	43.47	0.5	19.78	0.24
F-SSS-2045-W	326	19.25	43.97	0.5	20	0.24
F-SSS-2048-W	347	19.25	46.97	0.5	21.33	0.26
F-SSS-2054-W	387	19.25	52.97	0.5	24	0.3
F-SSS-2060-W	430	19.25	58.97	0.5	26.67	0.33
F-SSS-2066-W	473	19.25	64.97	0.5	29.33	0.36

Code	Price	H (in.)	W (in.)	D 1 (in.)	Weight (lb)	Volume (ft ³)
F-SSS-0624-T	119	5.38	22.97	0.5	2.88	0.04
F-SSS-0630-T	144	5.38	28.97	0.5	3.6	0.05
F-SSS-0636-T	168	5.38	34.97	0.5	4.32	0.05
F-SSS-0637-T	182	5.38	35.97	0.5	4.44	0.06
F-SSS-0637D-T	182	5.38	36.47	0.5	4.5	0.06
F-SSS-0638-T	182	5.38	36.97	0.5	4.56	0.06
F-SSS-0638D-T	182	5.38	37.47	0.5	4.62	0.06
F-SSS-0639-T	182	5.38	37.97	0.5	4.68	0.06
F-SSS-0640-T	195	5.38	38.97	0.5	4.8	0.06
F-SSS-0641-T	195	5.38	39.97	0.5	4.92	0.06
F-SSS-0641D-T	195	5.38	40.47	0.5	4.98	0.06
F-SSS-0642-T	195	5.38	40.97	0.5	5.04	0.06
F-SSS-0643-T	205	5.38	41.97	0.5	5.16	0.07
F-SSS-0644-T	205	5.38	42.97	0.5	5.28	0.07
F-SSS-0644D-T	205	5.38	43.47	0.5	5.34	0.07
F-SSS-0645-T	205	5.38	43.97	0.5	5.4	0.07
F-SSS-0648-T	219	5.38	46.97	0.5	5.76	0.07
F-SSS-0654-T	244	5.38	52.97	0.5	6.48	0.08
F-SSS-0660-T	268	5.38	58.97	0.5	7.2	0.09
F-SSS-0666-T	293	5.38	64.97	0.5	7.92	0.1

Code	Price	H (in.)	W (in.)	D 1 (in.)	Weight (lb)	Volume (ft ³)
F-SSS-1224-T	179	11.38	22.97	0.5	5.76	0.08
F-SSS-1230-T	218	11.38	28.97	0.5	7.2	0.1
F-SSS-1236-T	256	11.38	34.97	0.5	8.64	0.12
F-SSS-1237-T	276	11.38	35.97	0.5	8.88	0.12
F-SSS-1237D-T	276	11.38	36.47	0.5	9	0.12
F-SSS-1238-T	276	11.38	36.97	0.5	9.12	0.12
F-SSS-1238D-T	276	11.38	37.47	0.5	9.24	0.12
F-SSS-1239-T	276	11.38	37.97	0.5	9.36	0.12
F-SSS-1240-T	293	11.38	38.97	0.5	9.6	0.13
F-SSS-1241-T	293	11.38	39.97	0.5	9.84	0.13
F-SSS-1241D-T	293	11.38	40.47	0.5	9.96	0.13
F-SSS-1242-T	293	11.38	40.97	0.5	10.08	0.13
F-SSS-1243-T	314	11.38	41.97	0.5	10.32	0.14
F-SSS-1244-T	314	11.38	42.97	0.5	10.56	0.14
F-SSS-1244D-T	314	11.38	43.47	0.5	10.68	0.14
F-SSS-1245-T	314	11.38	43.97	0.5	10.8	0.14
F-SSS-1248-T	333	11.38	46.97	0.5	11.52	0.15
F-SSS-1254-T	367	11.38	52.97	0.5	12.96	0.17
F-SSS-1260-T	407	11.38	58.97	0.5	14.4	0.19
F-SSS-1266-T	448	11.38	64.97	0.5	15.84	0.21

Code	Price	H (in.)	W (in.)	D 1 (in.)	Weight (lb)	Volume (ft ³)
F-SSS-1424-T	197	13.25	22.97	0.5	6.72	0.09
F-SSS-1430-T	242	13.25	28.97	0.5	8.4	0.11
F-SSS-1434-T	282	13.25	32.97	0.5	10.08	0.13
F-SSS-1434D-T	282	13.25	33.47	0.5	10.08	0.13
F-SSS-1435-T	282	13.25	33.97	0.5	10.08	0.13
F-SSS-1435D-T	282	13.25	34.47	0.5	10.08	0.13
F-SSS-1436-T	282	13.25	34.97	0.5	10.08	0.13
F-SSS-1437-T	305	13.25	35.97	0.5	10.36	0.14
F-SSS-1437D-T	305	13.25	36.47	0.5	10.5	0.14
F-SSS-1438-T	305	13.25	36.97	0.5	10.64	0.14
F-SSS-1438D-T	305	13.25	37.47	0.5	10.78	0.14
F-SSS-1439-T	305	13.25	37.97	0.5	10.92	0.15
F-SSS-1440-T	325	13.25	38.97	0.5	11.2	0.15
F-SSS-1441-T	325	13.25	39.97	0.5	11.48	0.15
F-SSS-1441D-T	325	13.25	40.47	0.5	11.62	0.16
F-SSS-1442-T	325	13.25	40.97	0.5	11.76	0.16
F-SSS-1443-T	347	13.25	41.97	0.5	12.04	0.16
F-SSS-1444-T	347	13.25	42.97	0.5	12.32	0.16
F-SSS-1444D-T	347	13.25	43.47	0.5	12.46	0.17
F-SSS-1445-T	347	13.25	43.97	0.5	12.6	0.17
F-SSS-1448-T	366	13.25	46.97	0.5	13.44	0.18
F-SSS-1454-T	410	13.25	52.97	0.5	15.12	0.2
F-SSS-1460-T	452	13.25	58.97	0.5	16.8	0.23
F-SSS-1466-T	495	13.25	64.97	0.5	18.48	0.25

Code	Price	H (in.)	W (in.)	D 1 (in.)	Weight (lb)	Volume (ft ³)
F-SSS-2024-T	257	19.25	22.97	0.5	9.6	0.13
F-SSS-2030-T	314	19.25	28.97	0.5	12	0.16
F-SSS-2034-T	367	19.25	32.97	0.5	14.4	0.18
F-SSS-2034D-T	371	19.25	33.47	0.5	14.4	0.19
F-SSS-2035-T	367	19.25	33.97	0.5	14.4	0.19
F-SSS-2035D-T	367	19.25	34.47	0.5	14.4	0.19
F-SSS-2036-T	367	19.25	34.97	0.5	14.4	0.19
F-SSS-2037-T	398	19.25	35.97	0.5	14.8	0.2
F-SSS-2037D-T	398	19.25	36.47	0.5	15	0.2
F-SSS-2038-T	398	19.25	36.97	0.5	15.2	0.21
F-SSS-2038D-T	398	19.25	37.47	0.5	15.4	0.21
F-SSS-2039-T	398	19.25	37.97	0.5	15.6	0.21
F-SSS-2040-T	426	19.25	38.97	0.5	16	0.22
F-SSS-2041-T	426	19.25	39.97	0.5	16.4	0.22
F-SSS-2041D-T	426	19.25	40.47	0.5	16.6	0.23
F-SSS-2042-T	426	19.25	40.97	0.5	16.8	0.23
F-SSS-2043-T	452	19.25	41.97	0.5	17.2	0.23
F-SSS-2044-T	452	19.25	42.97	0.5	17.6	0.24
F-SSS-2044D-T	452	19.25	43.47	0.5	17.8	0.24
F-SSS-2045-T	452	19.25	43.97	0.5	18	0.24
F-SSS-2048-T	481	19.25	46.97	0.5	19.2	0.26
F-SSS-2054-T	536	19.25	52.97	0.5	21.6	0.3
F-SSS-2060-T	593	19.25	58.97	0.5	24	0.33
F-SSS-2066-T	650	19.25	64.97	0.5	26.4	0.36

Code	Price	H (in.)	W (in.)	D 1 (in.)	Weight (lb)	Volume (ft ³)
F-SSS-0624-F	81	5.38	22.97	0.5	1.44	0.04
F-SSS-0630-F	99	5.38	28.97	0.5	1.8	0.05
F-SSS-0636-F	117	5.38	34.97	0.5	2.16	0.05
F-SSS-0637-F	124	5.38	35.97	0.5	2.22	0.06
F-SSS-0637D-F	124	5.38	36.47	0.5	2.25	0.06
F-SSS-0638-F	124	5.38	36.97	0.5	2.28	0.06
F-SSS-0638D-F	124	5.38	37.47	0.5	2.31	0.06
F-SSS-0639-F	124	5.38	37.97	0.5	2.34	0.06
F-SSS-0640-F	134	5.38	38.97	0.5	2.4	0.06
F-SSS-0641-F	134	5.38	39.97	0.5	2.46	0.06
F-SSS-0641D-F	134	5.38	40.47	0.5	2.49	0.06
F-SSS-0642-F	134	5.38	40.97	0.5	2.52	0.06
F-SSS-0643-F	143	5.38	41.97	0.5	2.58	0.07
F-SSS-0644-F	143	5.38	42.97	0.5	2.64	0.07
F-SSS-0644D-F	143	5.38	43.47	0.5	2.67	0.07
F-SSS-0645-F	143	5.38	43.97	0.5	2.7	0.07
F-SSS-0648-F	150	5.38	46.97	0.5	2.88	0.07
F-SSS-0654-F	168	5.38	52.97	0.5	3.24	0.08
F-SSS-0660-F	189	5.38	58.97	0.5	3.6	0.09
F-SSS-0666-F	204	5.38	64.97	0.5	3.96	0.1

Code	Price	H (in.)	W (in.)	D 1 (in.)	Weight (lb)	Volume (ft ³)
F-SSS-1224-F	121	11.38	22.97	0.5	2.88	0.08
F-SSS-1230-F	149	11.38	28.97	0.5	3.6	0.1
F-SSS-1236-F	178	11.38	34.97	0.5	4.32	0.12
F-SSS-1237-F	191	11.38	35.97	0.5	4.44	0.12
F-SSS-1237D-F	191	11.38	36.47	0.5	4.5	0.12
F-SSS-1238-F	191	11.38	36.97	0.5	4.56	0.12
F-SSS-1238D-F	191	11.38	37.47	0.5	4.62	0.12
F-SSS-1239-F	191	11.38	37.97	0.5	4.68	0.12
F-SSS-1240-F	204	11.38	38.97	0.5	4.8	0.13
F-SSS-1241-F	204	11.38	39.97	0.5	4.92	0.13
F-SSS-1241D-F	204	11.38	40.47	0.5	4.98	0.13
F-SSS-1242-F	204	11.38	40.97	0.5	5.04	0.13
F-SSS-1243-F	219	11.38	41.97	0.5	5.16	0.14
F-SSS-1244-F	219	11.38	42.97	0.5	5.28	0.14
F-SSS-1244D-F	219	11.38	43.47	0.5	5.34	0.14
F-SSS-1245-F	219	11.38	43.97	0.5	5.4	0.14
F-SSS-1248-F	230	11.38	46.97	0.5	5.76	0.15
F-SSS-1254-F	259	11.38	52.97	0.5	6.48	0.17
F-SSS-1260-F	285	11.38	58.97	0.5	7.2	0.19
F-SSS-1266-F	314	11.38	64.97	0.5	7.92	0.21

Code	Price	H (in.)	W (in.)	D 1 (in.)	Weight (lb)	Volume (ft ³)
F-SSS-1424-F	135	13.25	22.97	0.5	3.36	0.09
F-SSS-1430-F	165	13.25	28.97	0.5	4.2	0.11
F-SSS-1434-F	196	13.25	32.97	0.5	5.04	0.13
F-SSS-1434D-F	196	13.25	33.47	0.5	5.04	0.13
F-SSS-1435-F	196	13.25	33.97	0.5	5.04	0.13
F-SSS-1435D-F	196	13.25	34.47	0.5	5.04	0.13
F-SSS-1436-F	196	13.25	34.97	0.5	5.04	0.13
F-SSS-1437-F	208	13.25	35.97	0.5	5.18	0.14
F-SSS-1437D-F	208	13.25	36.47	0.5	5.25	0.14
F-SSS-1438-F	208	13.25	36.97	0.5	5.32	0.14
F-SSS-1438D-F	208	13.25	37.47	0.5	5.39	0.14
F-SSS-1439-F	208	13.25	37.97	0.5	5.46	0.15
F-SSS-1440-F	227	13.25	38.97	0.5	5.6	0.15
F-SSS-1441-F	227	13.25	39.97	0.5	5.74	0.15
F-SSS-1441D-F	227	13.25	40.47	0.5	5.81	0.16
F-SSS-1442-F	227	13.25	40.97	0.5	5.88	0.16
F-SSS-1443-F	243	13.25	41.97	0.5	6.02	0.16
F-SSS-1444-F	243	13.25	42.97	0.5	6.16	0.16
F-SSS-1444D-F	243	13.25	43.47	0.5	6.23	0.17
F-SSS-1445-F	243	13.25	43.97	0.5	6.3	0.17
F-SSS-1448-F	256	13.25	46.97	0.5	6.72	0.18
F-SSS-1454-F	286	13.25	52.97	0.5	7.56	0.2
F-SSS-1460-F	317	13.25	58.97	0.5	8.4	0.23
F-SSS-1466-F	348	13.25	64.97	0.5	9.24	0.25

Code	Price	H (in.)	W (in.)	D 1 (in.)	Weight (lb)	Volume (ft ³)
F-SSS-2024-F	178	19.25	22.97	0.5	4.8	0.13
F-SSS-2030-F	218	19.25	28.97	0.5	6	0.16
F-SSS-2034-F	256	19.25	32.97	0.5	7.2	0.18
F-SSS-2034D-F	257	19.25	33.47	0.5	7.2	0.19
F-SSS-2035-F	256	19.25	33.97	0.5	7.2	0.19
F-SSS-2035D-F	256	19.25	34.47	0.5	7.2	0.19
F-SSS-2036-F	256	19.25	34.97	0.5	7.2	0.19
F-SSS-2037-F	277	19.25	35.97	0.5	7.4	0.2
F-SSS-2037D-F	277	19.25	36.47	0.5	7.5	0.2
F-SSS-2038-F	277	19.25	36.97	0.5	7.6	0.21
F-SSS-2038D-F	277	19.25	37.47	0.5	7.7	0.21
F-SSS-2039-F	277	19.25	37.97	0.5	7.8	0.21
F-SSS-2040-F	298	19.25	38.97	0.5	8	0.22
F-SSS-2041-F	298	19.25	39.97	0.5	8.2	0.22
F-SSS-2041D-F	298	19.25	40.47	0.5	8.3	0.23
F-SSS-2042-F	298	19.25	40.97	0.5	8.4	0.23
F-SSS-2043-F	317	19.25	41.97	0.5	8.6	0.23
F-SSS-2044-F	317	19.25	42.97	0.5	8.8	0.24
F-SSS-2044D-F	317	19.25	43.47	0.5	8.9	0.24
F-SSS-2045-F	317	19.25	43.97	0.5	9	0.24
F-SSS-2048-F	339	19.25	46.97	0.5	9.6	0.26
F-SSS-2054-F	377	19.25	52.97	0.5	10.8	0.3
F-SSS-2060-F	418	19.25	58.97	0.5	12	0.33
F-SSS-2066-F	455	19.25	64.97	0.5	13.2	0.36



Scene Pricebook
Oct 2023

Screen Components

screen components

<u>accessories rail - end to end</u>	<u>218</u>
<u>accessories rail - end to share</u>	<u>220</u>
<u>accessories rail - share to share</u>	<u>221</u>
<u>post</u>	<u>222</u>

What's Included:

Accessory rail (1).

How to Specify:

Accessory rail is 8" in height.

Accessory rail is finished in silver, white or black powder coat.

Options:

Width 24", 30", 36", 37", 38", 39", 40", 41", 42", 43", 44", 45", 46", 48", 50", 51", 52", 53", 54", 56", 57", 58", 59", 60", 63", 64", 65", 66", 68", 69", 70", 71", 72"

Accessories rail color	P112 silver	P121 white	P114 black
------------------------	--------------------	-------------------	-------------------

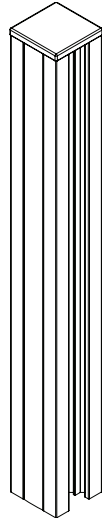
How to Order and Read your Code:

F	SEE	08	57
product line	item	height	width

Code	Price	H (in.)	W (in.)	D T (in.)	Weight (lb)	Volume (ft ³)
F-SEE-0824	113	7.85	20.44	0.5	3.84	0.05
F-SEE-0830	131	7.85	26.44	0.5	4.8	0.06
F-SEE-0836	150	7.85	32.44	0.5	5.76	0.07
F-SEE-0842	171	7.85	38.44	0.5	6.72	0.09
F-SEE-0844	182	7.85	40.44	0.5	7.04	0.09
F-SEE-0845	182	7.85	41.44	0.5	7.2	0.09
F-SEE-0846	191	7.85	42.44	0.5	7.36	0.1
F-SEE-0848	191	7.85	44.44	0.5	7.68	0.1
F-SEE-0850	201	7.85	46.44	0.5	8	0.11
F-SEE-0851	201	7.85	47.44	0.5	8.16	0.11
F-SEE-0852	208	7.85	48.44	0.5	8.32	0.11
F-SEE-0853	208	7.85	49.44	0.5	8.48	0.11
F-SEE-0854	208	7.85	50.44	0.5	8.64	0.11
F-SEE-0856	220	7.85	52.44	0.5	8.96	0.12
F-SEE-0857	220	7.85	53.44	0.5	9.12	0.12
F-SEE-0858	230	7.85	54.44	0.5	9.28	0.12
F-SEE-0859	230	7.85	55.44	0.5	9.44	0.13
F-SEE-0860	230	7.85	56.44	0.5	9.6	0.13
F-SEE-0862	242	7.85	58.44	0.5	9.92	0.13
F-SEE-0863	242	7.85	59.44	0.5	10.08	0.14
F-SEE-0864	250	7.85	60.44	0.5	10.24	0.14
F-SEE-0865	250	7.85	61.44	0.5	10.4	0.14
F-SEE-0866	250	7.85	62.44	0.5	10.56	0.14
F-SEE-0868	262	7.85	64.44	0.5	10.88	0.15
F-SEE-0869	262	7.85	65.44	0.5	11.04	0.15
F-SEE-0870	270	7.85	66.44	0.5	11.2	0.15
F-SEE-0871	270	7.85	67.44	0.5	11.36	0.15
F-SEE-0872	270	7.85	68.44	0.5	11.52	0.16

Code	Price	H (in.)	W (in.)	D 1 (in.)	Weight (lb)	Volume (ft ³)
F-SES-0824	113	7.85	21.69	0.5	3.84	0.05
F-SES-0830	131	7.85	27.69	0.5	4.8	0.06
F-SES-0836	150	7.85	33.69	0.5	5.76	0.08
F-SES-0837	160	7.85	34.69	0.5	5.92	0.08
F-SES-0837D	160	7.85	35.19	0.5	6	0.08
F-SES-0838	160	7.85	35.69	0.5	6.08	0.08
F-SES-0838D	160	7.85	36.19	0.5	6.16	0.08
F-SES-0839	160	7.85	36.69	0.5	6.24	0.08
F-SES-0840	171	7.85	37.69	0.5	6.4	0.09
F-SES-0841	171	7.85	38.69	0.5	6.56	0.09
F-SES-0841D	171	7.85	39.19	0.5	6.64	0.09
F-SES-0842	171	7.85	39.69	0.5	6.72	0.09
F-SES-0843	182	7.85	40.69	0.5	6.88	0.09
F-SES-0844	182	7.85	41.69	0.5	7.04	0.09
F-SES-0844D	182	7.85	42.19	0.5	7.12	0.1
F-SES-0845	182	7.85	42.69	0.5	7.2	0.1
F-SES-0846	191	7.85	43.69	0.5	7.36	0.1
F-SES-0848	191	7.85	45.69	0.5	7.68	0.1
F-SES-0850	201	7.85	47.69	0.5	8	0.11
F-SES-0851	201	7.85	48.69	0.5	8.16	0.11
F-SES-0852	208	7.85	49.69	0.5	8.32	0.11
F-SES-0853	208	7.85	50.69	0.5	8.48	0.12
F-SES-0854	208	7.85	51.69	0.5	8.64	0.12
F-SES-0856	220	7.85	53.69	0.5	8.96	0.12
F-SES-0857	220	7.85	54.69	0.5	9.12	0.12
F-SES-0858	230	7.85	55.69	0.5	9.28	0.13
F-SES-0859	230	7.85	56.69	0.5	9.44	0.13
F-SES-0860	230	7.85	57.69	0.5	9.6	0.13
F-SES-0862	242	7.85	59.69	0.5	9.92	0.14
F-SES-0863	242	7.85	60.69	0.5	10.08	0.14
F-SES-0864	250	7.85	61.69	0.5	10.24	0.14
F-SES-0865	250	7.85	62.69	0.5	10.4	0.14
F-SES-0866	250	7.85	63.69	0.5	10.56	0.14
F-SES-0868	262	7.85	65.69	0.5	10.88	0.15
F-SES-0869	262	7.85	66.69	0.5	11.04	0.15
F-SES-0870	270	7.85	67.69	0.5	11.2	0.15
F-SES-0871	270	7.85	68.69	0.5	11.36	0.16
F-SES-0872	270	7.85	69.69	0.5	11.52	0.16

Code	Price	H (in.)	W (in.)	D 1 (in.)	Weight (lb)	Volume (ft ³)
F-SSS-0824	113	7.85	22.97	0.5	3.84	0.05
F-SSS-0830	131	7.85	28.97	0.5	4.8	0.07
F-SSS-0836	150	7.85	34.97	0.5	5.76	0.08
F-SSS-0837	160	7.85	35.97	0.5	5.92	0.08
F-SSS-0837D	160	7.85	36.47	0.5	6	0.08
F-SSS-0838	160	7.85	36.97	0.5	6.08	0.08
F-SSS-0838D	160	7.85	37.47	0.5	6.16	0.09
F-SSS-0839	160	7.85	37.97	0.5	6.24	0.09
F-SSS-0840	171	7.85	38.97	0.5	6.4	0.09
F-SSS-0841	171	7.85	39.97	0.5	6.56	0.09
F-SSS-0841D	171	7.85	40.47	0.5	6.64	0.09
F-SSS-0842	171	7.85	40.97	0.5	6.72	0.09
F-SSS-0843	182	7.85	41.97	0.5	6.88	0.1
F-SSS-0844	182	7.85	42.97	0.5	7.04	0.1
F-SSS-0844D	182	7.85	43.47	0.5	7.12	0.1
F-SSS-0845	182	7.85	43.97	0.5	7.2	0.1
F-SSS-0848	191	7.85	46.97	0.5	7.68	0.11
F-SSS-0854	208	7.85	52.97	0.5	8.64	0.12
F-SSS-0860	230	7.85	58.97	0.5	9.6	0.13
F-SSS-0866	250	7.85	64.97	0.5	10.56	0.15
F-SSS-0872	270	7.85	70.97	0.5	11.52	0.16



What's Included:

Screen post (1), a top cap (1) and three channel inserts (3).

How to Specify:

Available in 14" & 20" heights.

Screen post is finished in silver, white or black powder coat.

Options:

Width 14", 20"

Post color **P112** silver **P121** white **P114** black

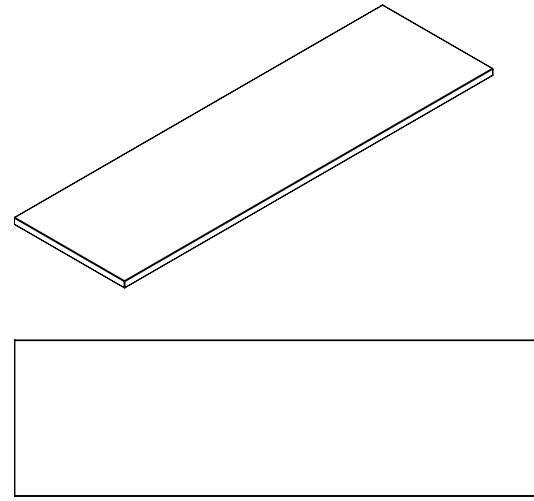
Code	Price	H (in.)	W (in.)	D 1 (in.)	Weight (lb)	Volume (ft ³)
F-PS-14	72	13.5	1.54	1.54	1	0.02
F-PS-20	81	19.5	1.54	1.54	1.85	0.03



Scene Pricebook
Oct 2023
Supports

support

spacer	226
end gable	228
flag storage gable	229
center gable	230
single support leg	231
low credenza support	232
mending plate	233



What's Included:

Spacer (1).

How to Specify:

Edge color will default to match the surface color of the worksurface unless otherwise specified.

Notes:

Spacer is 1-inch thick.

All spacers have 2mm vinyl edge trim.

Low pressure laminate is available on the top surface of a spacer

Options:

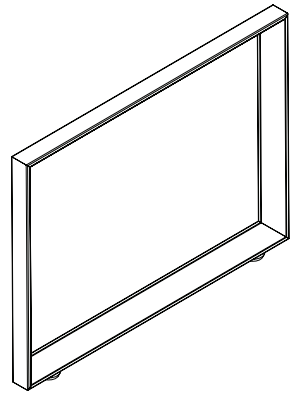
Width 12", 18", 24", 30", 36", 42", 48", 54", 60", 66", 72", 78", 84", 90", 96"

Depth 18"

How to Order and Read your Code:

F **SS** **60**
 product line item width

Code	Price	H (in.)	W (in.)	D 1 (in.)	Weight (lb)	Volume (ft ³)
F-SS-1218	55	1	12	18	4.32	0.13
F-SS-1818	75	1	18	18	6.48	0.19
F-SS-2418	94	1	24	18	8.64	0.25
F-SS-3018	113	1	30	18	10.8	0.31
F-SS-3618	133	1	36	18	12.96	0.38
F-SS-4218	152	1	42	18	15.12	0.44
F-SS-4818	171	1	48	18	17.28	0.5
F-SS-5418	193	1	54	18	19.44	0.56
F-SS-6018	208	1	60	18	21.6	0.63
F-SS-6618	230	1	66	18	23.76	0.69
F-SS-7218	250	1	72	18	25.92	0.75
F-SS-7818	270	1	78	18	28.08	0.81
F-SS-8418	289	1	84	18	30.24	0.88
F-SS-9018	309	1	90	18	32.4	0.94
F-SS-9618	329	1	96	18	34.56	1



What's Included:

End gable (1) and two levelers (2).

How to Specify:

Specify the width of the end gable to be the same as the depth of the worksurface being supported.

End gable is finished in silver, black or white powder coat.

Options:

Width 24", 30", 36", 42", 48", 60"

Gable color **P112** silver **P121** white **P114** black

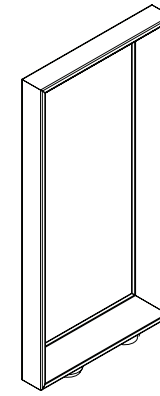
Notes:

Used at the end of a worksurface run for support.

Two levelers with a leveling range of 2.5-inches are included.

Supports a worksurface at a height of 28".

Code	Price	H (in.)	W (in.)	D 1 (in.)	Weight (lb)	Volume (ft ³)
F-HOEG-2824	299	27.28	23.43	1.53	13.44	0.57
F-HOEG-2830	327	27.28	29.53	1.53	16.8	0.71
F-HOEG-2836	354	27.28	35.43	1.53	20.16	0.86
F-HOEG-2842	391	27.28	41.54	1.53	23.52	1
F-HOEG-2848	425	27.28	47.64	1.53	26.88	1.15
F-HOEG-2860	472	27.28	59.45	1.53	33.6	1.44



What's Included:

End gable (1) and two levelers (2).

How to Specify:

Flag storage gable is finished in silver, black or white powder coat..

Options:

Leg Color **P112** silver **P121** white **P114** black

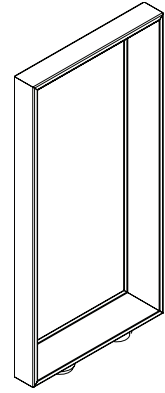
Notes:

Used at the end of a flag storage for support of the flag storage cabinet.

Two levelers with a leveling range of 2.5-inches are included.

Supports a flag storage at a height of 29".

Code	Price	H (in.)	W (in.)	D 1 (in.)	Weight (lb)	Volume (ft ³)
F-HFSS-2914	257	28.27	13.58	1.53	7.84	0.34



What's Included:

Center gable (1) and two levelers (2).

How to Specify:

Specify the width of the center gable to be the same as the depth of the worksurface being supported.

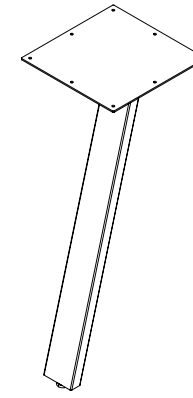
End gable is finished in silver, black or white powder coat.

Options:

Width 12", 24", 30", 36", 48", 60"

Leg Color **P112** silver **P121** white **P114** black

Code	Price	H (in.)	W (in.)	D 1 (in.)	Weight (lb)	Volume (ft ³)
F-HOCG-2812	221	27.28	11.61	1.53	20.6	0.28
F-HOCG-2824	244	27.28	23.42	1.53	33.6	0.57
F-HOCG-2830	261	27.28	29.53	1.53	40.32	0.72
F-HOCG-2836	325	27.28	35.43	1.53	46.6	0.86
F-HOCG-2848	422	27.28	47.44	1.53	55	1



What's Included:

Single support leg (1), a leveler (1) and fastners.

How to Specify:

Single support leg is finished in silver, black or white powder coat.

Options:

Leg Color **P112** silver **P121** white **P114** black

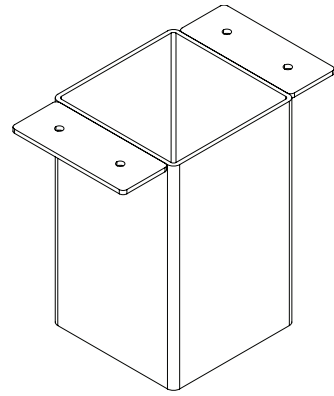
Notes:

Used to support one end of a worksurfaces where the other end is supported by a high credenza or end gable.

One levelers with a leveling range of 2.5-inches are included.

Supports a worksurface at a height of 28"

Code	Price	H (in.)	W (in.)	D 1 (in.)	Weight (lb)	Volume (ft ³)
F-HSSP-28	268	27.9	10	12	6	1.94



What's Included:

Low credenza support (1), and fasteners (4).

How to Specify:

Low credenza support is finished in silver, black or white powder coat.

Options:

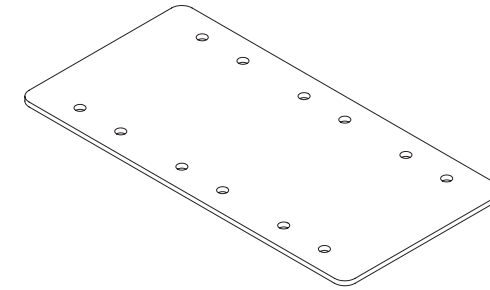
Leg Color **P112** silver **P121** white **P114** black

Notes:

Mounted directly to the underside of the worksurface.

Supports a worksurface at a height of 28".

Code	Price	H (in.)	W (in.)	D 1 (in.)	Weight (lb)	Volume (ft ³)
F-HCFM	171	6.38	7	4	6	0.1



What's Included:

Mending plate (1)

How to Specify:

Mending plate is finished in silver powder coat.

Options:

Leg Color **P112** silver

Notes:

Mounted directly to the underside of two worksurface.

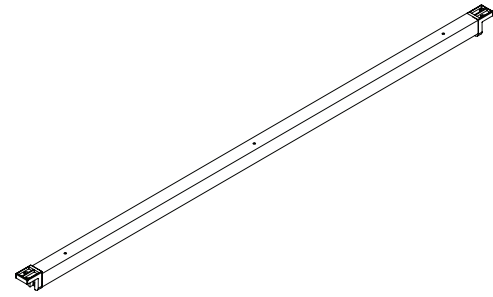
Code	Price	H (in.)	W (in.)	D 1 (in.)	Weight (lb)	Volume (ft ³)
F-PWW	41	5.5	3	0.13	1	0.01



Scene Pricebook
Oct 2023
**Reinforcement
Bars**

reinforcement bar

<u>end to end</u>	236
<u>end to share</u>	238
<u>share to share</u>	240
<u>end to no connector</u>	242
<u>share to no connector</u>	244
<u>no connector</u>	246
<u>short beam</u>	247



What's Included:

Reinforcement bar (1), two end brackets (2) and fasteners (2).

How to Specify:

Length of the reinforcement bar is referred to as the width to correspond to the worksurface.

Specify the width of the reinforcement bar to be the same as the width of worksurface being supported.

Reinforcement bar is finished in silver, black or white powder coat.

Notes:

Mounted directly to an end gable.

Options:

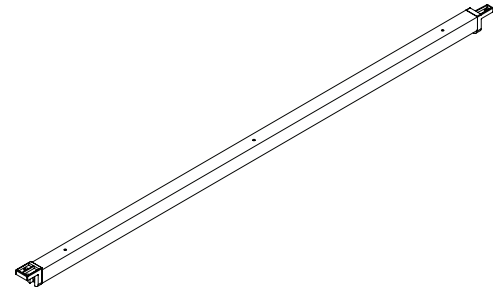
Width 36", 42", 48", 54", 60", 66", 72", 78", 84", 90", 96"

Leg Color **P112** silver **P121** white **P114** black

How to Order and Read your Code:

F **HRB-EE** **72**
product line item width

Code	Price	H (in.)	W (in.)	D 1 (in.)	Weight (lb)	Volume (ft ³)
F-HRB-EE-36	190	2.44	33.79	1.57	7.2	0.06
F-HRB-EE-42	200	2.44	39.79	1.57	8.4	0.07
F-HRB-EE-48	208	2.44	45.79	1.57	9.6	0.08
F-HRB-EE-54	221	2.44	51.79	1.57	10.8	0.09
F-HRB-EE-60	230	2.44	57.79	1.57	12	0.11
F-HRB-EE-66	243	2.44	63.79	1.57	13.2	0.12
F-HRB-EE-72	252	2.44	69.79	1.57	14.4	0.13
F-HRB-EE-78	264	2.44	75.79	1.57	15.6	0.14
F-HRB-EE-84	276	2.44	81.79	1.57	16.8	0.15
F-HRB-EE-90	285	2.44	87.79	1.57	18	0.16
F-HRB-EE-96	298	2.44	93.79	1.57	19.2	0.17



What's Included:

Reinforcement bar (1), one end bracket (1), one share bracket (1) and fasteners (2).

How to Specify:

Length of the reinforcement bar is referred to as the width to correspond to the worksurface.

Specify the width of the reinforcement bar to be the same as the width of worksurface being supported.

Reinforcement bar is finished in silver, black or white powder coat.

Options:

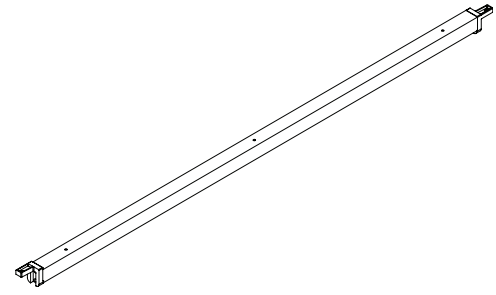
Width 36", 42", 48", 54", 60", 66", 72", 78", 84", 90", 96"

Leg Color **P112** silver **P121** white **P114** black

Notes:

Mounted directly to an end gable and a center gable.

Code	Price	H (in.)	W (in.)	D 1 (in.)	Weight (lb)	Volume (ft ³)
F-HRB-ES-36	193	2.44	35.35	1.57	7.2	0.06
F-HRB-ES-42	202	2.44	41.35	1.57	8.4	0.08
F-HRB-ES-48	209	2.44	47.35	1.57	9.6	0.09
F-HRB-ES-54	224	2.44	53.35	1.57	10.8	0.1
F-HRB-ES-60	232	2.44	59.35	1.57	12	0.11
F-HRB-ES-66	245	2.44	65.35	1.57	13.2	0.12
F-HRB-ES-72	256	2.44	71.35	1.57	14.4	0.13
F-HRB-ES-78	266	2.44	77.35	1.57	15.6	0.14
F-HRB-ES-84	278	2.44	83.35	1.57	16.8	0.15
F-HRB-ES-90	288	2.44	89.35	1.57	18	0.16
F-HRB-ES-96	299	2.44	95.35	1.57	19.2	0.17



What's Included:

Reinforcement bar (1), two share brackets (2) and fasteners (2).

How to Specify:

Length of the reinforcement bar is referred to as the width to correspond to the worksurface.

Specify the width of the reinforcement bar to be the same as the width of worksurface being supported.

Reinforcement bar is finished in silver, black or white powder coat.

Notes:

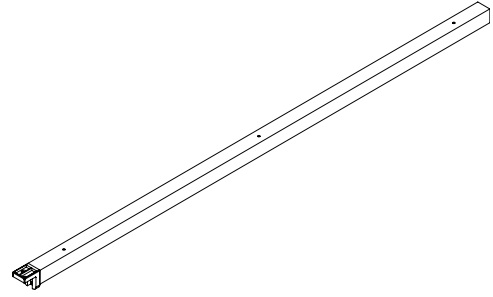
Mounted directly to two center gables.

Options:

Width 36", 42", 48", 54", 60", 66", 72", 78", 84", 90", 96"

Leg Color **P112** silver **P121** white **P114** black

Code	Price	H (in.)	W (in.)	D 1 (in.)	Weight (lb)	Volume (ft ³)
F-HRB-SS-36	196	2.44	36.91	1.57	7.2	0.07
F-HRB-SS-42	204	2.44	42.91	1.57	8.4	0.08
F-HRB-SS-48	217	2.44	48.91	1.57	9.6	0.09
F-HRB-SS-54	227	2.44	54.91	1.57	10.8	0.1
F-HRB-SS-60	238	2.44	60.91	1.57	12	0.11
F-HRB-SS-66	249	2.44	66.91	1.57	13.2	0.12
F-HRB-SS-72	259	2.44	72.91	1.57	14.4	0.13
F-HRB-SS-78	270	2.44	78.91	1.57	15.6	0.14
F-HRB-SS-84	281	2.44	84.91	1.57	16.8	0.15
F-HRB-SS-90	289	2.44	90.91	1.57	18	0.17
F-HRB-SS-96	301	2.44	96.91	1.57	19.2	0.18



What's Included:

Reinforcement bar (1), one end bracket (1), one end cap (1) and fasteners (2).

How to Specify:

Length of the reinforcement bar is referred to as the width to correspond to the worksurface.

Specify the width of the reinforcement bar to be the same as the width of worksurface being supported.

Reinforcement bar is finished in silver, black or white powder coat.

Options:

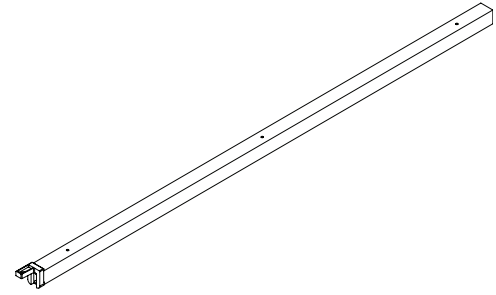
Width 24", 30", 36", 42", 48", 54", 60", 66", 72", 78", 84", 90", 96"

Leg Color **P112** silver **P121** white **P114** black

Notes:

Mounted directly to an end gable.

Code	Price	H (in.)	W (in.)	D 1 (in.)	Weight (lb)	Volume (ft ³)
F-HRB-EN-24	101	2.44	24	1.57	4.8	0.05
F-HRB-EN-30	110	2.44	30	1.57	6	0.06
F-HRB-EN-36	121	2.44	36	1.57	7.2	0.07
F-HRB-EN-42	133	2.44	42	1.57	8.4	0.08
F-HRB-EN-48	143	2.44	48	1.57	9.6	0.09
F-HRB-EN-54	152	2.44	54	1.57	10.8	0.1
F-HRB-EN-60	164	2.44	60	1.57	12	0.11
F-HRB-EN-66	176	2.44	66	1.57	13.2	0.12
F-HRB-EN-72	186	2.44	72	1.57	14.4	0.13
F-HRB-EN-78	197	2.44	78	1.57	15.6	0.14
F-HRB-EN-84	206	2.44	84	1.57	16.8	0.15
F-HRB-EN-90	219	2.44	90	1.57	18	0.17
F-HRB-EN-96	228	2.44	96	1.57	19.2	0.18



What's Included:

Reinforcement bar (1), one share bracket (1), one end cap (1) and fasteners (2).

How to Specify:

Length of the reinforcement bar is referred to as the width to correspond to the worksurface.

Specify the width of the reinforcement bar to be the same as the width of worksurface being supported.

Reinforcement bar is finished in silver, black or white powder coat.

Options:

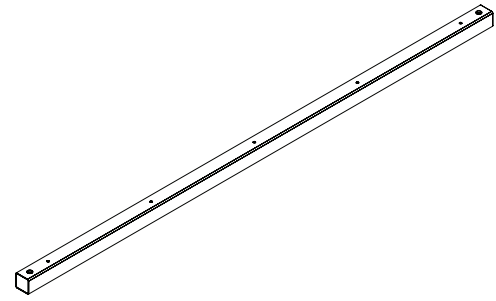
Width 36", 42", 48", 54", 60", 66", 72", 78", 84", 90", 96"

Leg Color **P112** silver **P121** white **P114** black

Notes:

Mounted directly to a center gable.

Code	Price	H (in.)	W (in.)	D 1 (in.)	Weight (lb)	Volume (ft ³)
F-HRB-SN-36	121	2.44	36.91	1.57	7.2	0.07
F-HRB-SN-42	133	2.44	42.91	1.57	8.4	0.08
F-HRB-SN-48	143	2.44	48.91	1.57	9.6	0.09
F-HRB-SN-54	152	2.44	54.91	1.57	10.8	0.1
F-HRB-SN-60	164	2.44	60.91	1.57	12	0.11
F-HRB-SN-66	176	2.44	66.91	1.57	13.2	0.12
F-HRB-SN-72	186	2.44	72.91	1.57	14.4	0.13
F-HRB-SN-78	197	2.44	78.91	1.57	15.6	0.14
F-HRB-SN-84	206	2.44	84.91	1.57	16.8	0.15
F-HRB-SN-90	219	2.44	90.91	1.57	18	0.17
F-HRB-SN-96	228	2.44	96.91	1.57	19.2	0.18



What's Included:

Reinforcement bar (1), two end caps (2) and fasteners (2).

How to Specify:

Length of the reinforcement bar is referred to as the width to correspond to the worksurface.

Specify the width of the reinforcement bar to be the same as the width of worksurface being supported.

Reinforcement bar is finished in silver, black or white powder coat.

Notes:

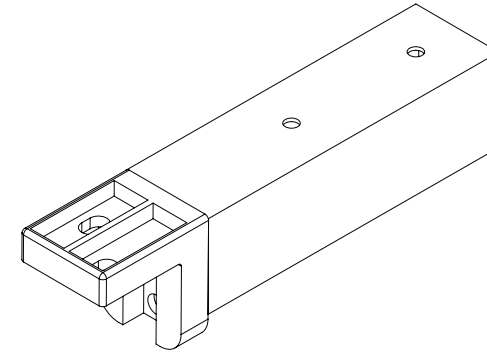
Mounted directly to a worksurface.

Options:

Width 48", 54", 60", 66", 72"

Leg Color **P112** silver **P121** white **P114** black

Code	Price	H (in.)	W (in.)	D 1 (in.)	Weight (lb)	Volume (ft ³)
F-HRB-NN-48	86	2.44	48	1.57	9.6	0.09
F-HRB-NN-54	99	2.44	54	1.57	10.8	0.1
F-HRB-NN-60	109	2.44	60	1.57	12	0.11
F-HRB-NN-66	120	2.44	66	1.57	13.2	0.12
F-HRB-NN-72	131	2.44	72	1.57	14.4	0.13



What's Included:

Short reinforcement bar (1), one end bracket (1), one end cap (1) and fasteners (2).

How to Specify:

Short beam reinforcement bar is finished in silver, black or white powder coat.

Notes:

Mounted directly to a flag storage gable.

Options:

Leg Color **P112** silver **P121** white **P114** black

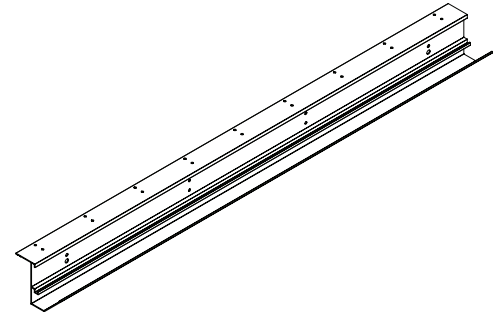
Code	Price	H (in.)	W (in.)	D 1 (in.)	Weight (lb)	Volume (ft ³)
F-HRB-SB	101	1.5	7.51	1.5	1.81	0.01



Scene Pricebook
Oct 2023
Electrics

electrics

wire management trough	250
trough mounted power box	252
trough mounted data box	253
electrical splitter harness	254
electrical starter harness	255
connector harness (female to female)	256
connector harness (female to female) continued	258
connector harness (female to male)	259
power pole	260
power pole bracket	261
under worksurface mounted wire manager	262
task light	263
pop-up grommet	264



What's Included:

Wire management trough (1), and fasteners (2).

How to Specify:

Length of the wire management trough is referred to as the width to correspond to the worksurface.

Specify the width of the wire management trough to the same or less than the width of the worksurface.

Available in the same nominal widths as the worksurface, but is actually shorter to accommodate worksurface supports.

Notes:

Wire management trough is 4.375-inches high and 5.375-inches deep.

Trough mounted power and/or communication box can be mounted to the wire management trough when power and/or communication access is required below the worksurface.

Facilitates lay-in cable management below the worksurface.

Options:

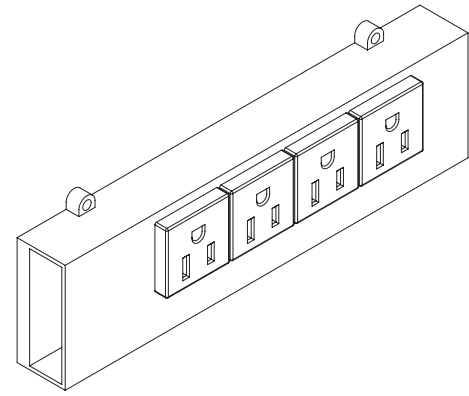
Width 36", 42", 48", 54", 60", 66", 72", 78", 84", 90", 96"

Leg color **P112** silver **P121** white **P114** black

How to Order and Read your Code:

F **EWHT** **36**
 product line item width

Code	Price	H (in.)	W (in.)	D 1 (in.)	Weight (lb)	Volume (ft ³)
F-EWHT-36	116	4.41	28	5.38	3.6	0.38
F-EWHT-42	129	4.41	34	5.38	4.2	0.46
F-EWHT-48	143	4.41	40	5.38	4.8	0.54
F-EWHT-54	156	4.41	46	5.38	5.4	0.63
F-EWHT-60	169	4.41	52	5.38	6	0.71
F-EWHT-66	185	4.41	58	5.38	6.6	0.79
F-EWHT-72	198	4.41	64	5.38	7.2	0.87
F-EWHT-78	209	4.41	70	5.38	7.8	0.95
F-EWHT-84	227	4.41	76	5.38	8.4	1.03
F-EWHT-90	242	4.41	82	5.38	9	1.12
F-EWHT-96	255	4.41	88	5.38	9.6	1.2



What's Included:

Trough mounted power box (1), and removable fasteners (2).

How to Specify:

Specify electrical harnesses separately.
Available in grey plastic only.

Options:

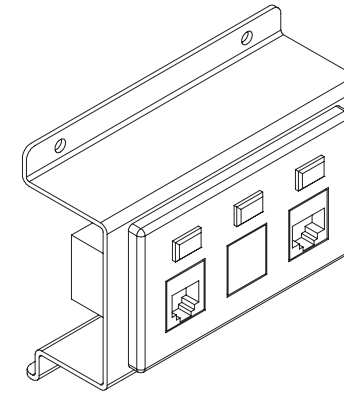
output national code

Notes:

Mounted to the worksurface wire management trough when power access is required below the worksurface.

Equipped with an 8-wire, 4-circuit electrical configuration (four electrical receptacles).

Code	Price	H (in.)	W (in.)	D 1 (in.)	Weight (lb)	Volume (ft ³)
F-EM84-T	193	2.88	8.38	1.25	0.6	0.02



What's Included:

Trough mounted data box (1), and removable fasteners (2).

How to Specify:

Specify communication cables separately.
Mounting bracket is finished in silver, black or white powder coat to match the wire management trough.
Interface with communication receptacles is grey only.

Notes:

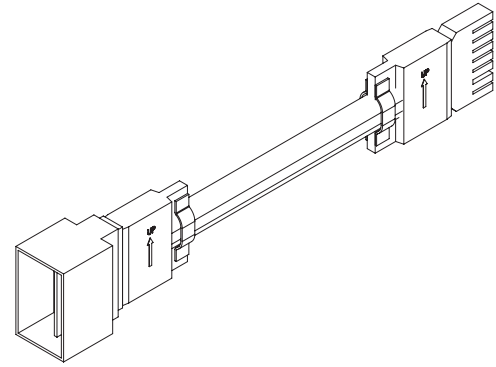
Mounted to the worksurface wire management trough when communication access is required below the worksurface.

Equipped with one RJ11 outlet, one RJ45 outlet, and a spare opening.

Options:

Output	11/45	K3 11/11/45	K6 11/45/45
Data box color	P112 silver	P121 white	P114 black

Code	Price	H (in.)	W (in.)	D 1 (in.)	Weight (lb)	Volume (ft ³)
F-EC-T	195	2.88	3.75	1.5	0.6	0.02
F-EC-T-K3	276	2.88	3.75	1.5	0.6	0.02
F-EC-T-K6	217	2.88	3.75	1.5	0.6	0.02



What's Included:

Electrical splitter harness (1).

How to Specify:

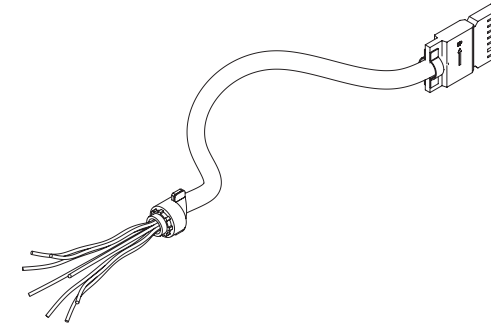
Refer to local codes for limits or restrictions on harness length.

Notes:

A qualified electrician must perform the connection to the building power supply.

Equipped with one male end that fits into the female end of a power box while the other end has two female ends..

Code	Price	W (in.)	Weight (lb)	Volume (ft ³)
F-EX84-12	122	12	0.9	0.5



What's Included:

Electrical starter harness (1).

How to Specify:

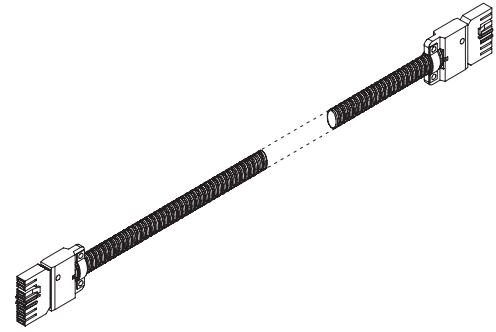
Refer to local codes for limits or restrictions on harness length.

Notes:

A qualified electrician must perform the connection to the building power supply.

Equipped with one male end that fits into the female end of a power box while the other end is meant to be hard wired to a building's power supply.

Code	Price	W (in.)	Weight (lb)	Volume (ft ³)
F-ES84-072	321	72	2.48	2.96
F-ES84-168	546	168	5.12	4.59



What's Included:

Connector harness (1).

How to Specify:

Refer to local codes for limits or restrictions on harness length.

Options:

Width 22", 25", 28", 31", 34", 37", 40", 43", 46", 49", 52", 55", 58", 61", 64", 67", 70", 73", 76", 79", 82", 85", 88", 91", 94", 97", 100", 103", 106", 109", 112", 115", 118", 121", 124", 127", 130", 133", 136", 139", 142", 145", 148", 151", 154", 157", 160", 163", 166", 169", 172", 175", 178", 181"

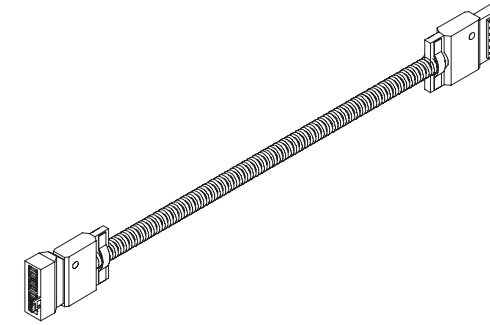
Notes:

A qualified electrician must perform the connection to the building power supply.

Equipped with two female ends.

Code	Price	W (in.)	Weight (lb)	Volume (ft ³)
F-EH-22	186	22	0.7	0
F-EH-25	193	25	0.8	0
F-EH-28	198	28	0.9	0
F-EH-31	204	31	1	0
F-EH-34	208	34	1.1	0
F-EH-37	220	37	1.2	0
F-EH-40	226	40	1.3	0
F-EH-43	231	43	1.4	0
F-EH-46	242	46	1.5	0
F-EH-49	246	49	1.6	0
F-EH-52	255	52	1.7	0
F-EH-55	259	55	1.8	0
F-EH-58	266	58	1.9	0
F-EH-61	276	61	2	0
F-EH-64	281	64	2.1	0
F-EH-67	285	67	2.2	0
F-EH-70	298	70	2.3	0
F-EH-73	301	73	2.4	0
F-EH-76	306	76	2.5	0
F-EH-79	317	79	2.6	0
F-EH-82	321	82	2.7	0
F-EH-85	328	85	2.8	0
F-EH-88	340	88	2.9	0
F-EH-91	345	91	3	0
F-EH-94	350	94	3.1	0
F-EH-97	359	97	3.2	0
F-EH-100	364	100	3.3	0

Code	Price	W (in.)	Weight (lb)	Volume (ft ³)
F-EH-103	373	103	3.4	0
F-EH-106	380	106	3.5	0
F-EH-109	386	109	3.5	0
F-EH-112	394	112	3.7	0
F-EH-115	399	115	3.8	0
F-EH-118	404	118	3.9	0
F-EH-121	413	121	4	0
F-EH-124	422	124	4.1	0
F-EH-127	427	127	4.2	0
F-EH-130	431	130	4.3	0
F-EH-133	440	133	4.4	0
F-EH-136	448	136	4.5	0
F-EH-139	454	139	4.6	0
F-EH-142	460	142	4.7	0
F-EH-145	606	145	4.8	0
F-EH-148	615	148	4.9	0
F-EH-151	622	151	5	0
F-EH-154	626	154	5.1	0
F-EH-157	630	157	5.2	0
F-EH-160	642	160	5.3	0
F-EH-163	650	163	5.4	0
F-EH-166	653	166	5.5	0
F-EH-169	657	169	5.6	0
F-EH-172	668	172	5.7	0
F-EH-175	674	175	5.8	0
F-EH-178	678	178	5.9	0
F-EH-181	686	181	6	0



What's Included:

Connector harness (1).

How to Specify:

Refer to local codes for limits or restrictions on harness length.

Options:

Width 44", 122"

Notes:

A qualified electrician must perform the connection to the building power supply.

Equipped with one male end and one female end.

Code	Price	W (in.)	Weight (lb)	Volume (ft ³)
F-E8FM-044	259	44	1.5	1.45
F-E8FM-122	431	122	2.5	2.15



What's Included:

Power pole back and cover (1), ceiling grommet - two halves (1), removable fasteners (9), and screw caps (2).

How to Specify:

The ceiling feed cable management column must be attach to a partition.

Back and cover finished in silver, black or white powder coat.

Ceiling grommet finished in white powder coat only.

Notes:

The power pole is 1.875-inches wide and 3.75-inches deep.

Power and communication cables are laid into separate channels of the power pole back.

Spans from the ceiling to the floor allowing power and communication cables access from the ceiling into the wire trough on a partition.

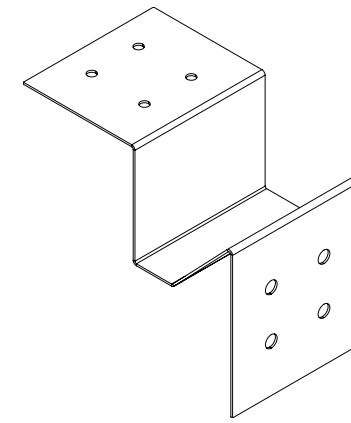
Can be stacked to span heights greater than 120-inches with stacking brackets included, however a second power pole must be specified.

Options:

Width 96", 108", 120"

Leg color **P112** silver **P121** white **P114** black

Code	Price	H (in.)	Weight (lb)	Volume (ft ³)
F-ECCC-96	340	96	1.54	0.39
F-ECCC-108	374	108	1.73	0.44
F-ECCC-120	410	120	1.92	0.49



What's Included:

Power pole bracket (2) and fasteners (8).

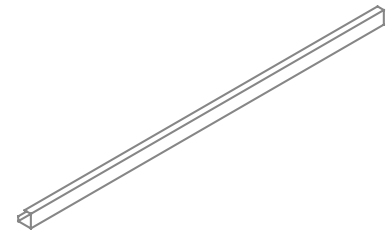
How to Specify:

Power pole bracket is finished in silver, black or white powder coat.

Notes:

The power pole bracket connects a worksurface to a power pole.

Code	Price	H (in.)	W (in.)	D 1 (in.)	Weight (lb)	Volume (ft ³)
F-ECBK	129	5	5.62	3.5	1	0.06



What's Included:

Under worksurface mounted wire manager (1).

How to Specify:

Specify the size needed.
Available in black only.

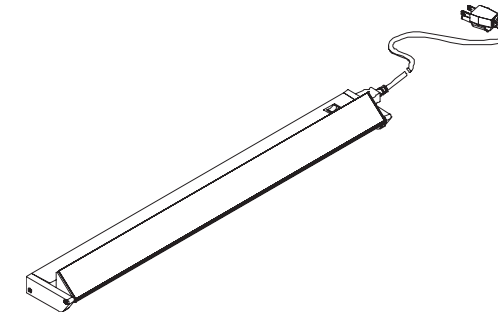
Notes:

Under worksurface wire manager attaches to the under side of the worksurface.

Options:

Size 12"W 24"W 36"W

Code	Price	H (in.)	W (in.)	D 1 (in.)	Weight (lb)	Volume (ft ³)
V-EWHB-12	8	1.5	12	1.5	0.2	0.02
V-EWHB-24	15	1.5	24	1.5	0.4	0.04
V-EWHB-36	22	1.5	36	1.5	0.6	0.06



What's Included:

Task Light (1) and installation hardware.

How to Specify:

This product is available only in silver.

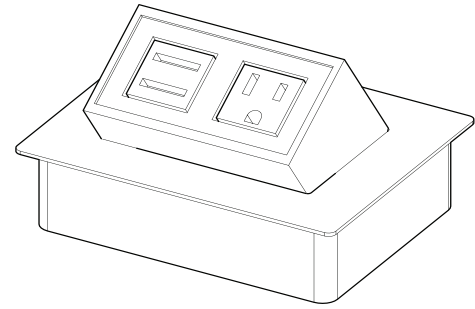
Notes:

The task light can be mounted beneath an overhead cabinet or shelf to provide focused lighting within the workstation.
The task light cord is 9-feet long from the end of the task light.

Options:

Width 24", 36", 48"

Code	Price	H (in.)	W (in.)	D 1 (in.)	Weight (lb)	Volume (ft ³)
V-ELU-24	285	1.1	24	3.5	9.5	0.16
V-ELU-36	321	1.1	36	3.5	13.5	0.27
V-ELU-48	403	1.1	48	3.5	17.9	0.38



What's Included:

in-surface pop-up grommet with 1 power and dual USB.

How to Specify:

Available in silver, black, and white.

Notes:

120" cord length

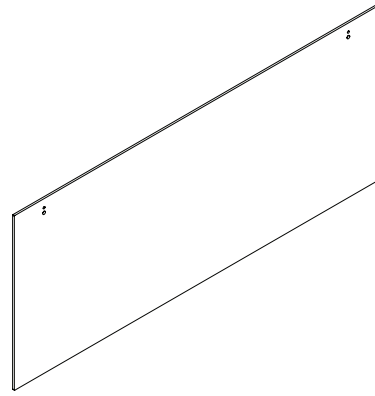
Code	Price	W (in.)	D 1 (in.)	Color
8530-0168	650	5	3.75	silver
8530-0619	650	5	3.75	black
8530-0178	650	5	3.75	white



Scene Pricebook
Oct 2023
Accessories

accessories

trough mounted modesty	268
surface mounted metal screen	270
accessory screen	271
storage cube	272
paper sorter	273
paper tray	274
pen holder	275
monitor arm	276
keyboard tray	277
pencil tray	278
credenza seat cushion	279



What's Included:

Trough mounted modesty (1), two square mounting clamp caps and removable fasteners (2-4).

How to Specify:

Specify the width of the screen to the same or less than the width of the worksurface being used for support.

Specify the width of the screen to the 18-inches or less than the width of the worksurface being used for support if a credenza is specified to support one end of the worksurface.

Available in the same nominal widths as the worksurface, but is actually shorter to accommodate worksurface supports.

Constructed of acrylic and available in frosted finish.

Notes:

Trough mounted modesty is 1/8-inch thick.

Positioned on the bottom of a worksurface with the vertical face approximately 10-inches from the visitor edge of the worksurface.

Mounting clamps with clamping screw are fastened to the mounting clamp retaining plates that are fitted into the hole sets located in two/three locations on the screen.

A top mounting flange fits into the inward facing top channel of the perpendicular reinforcement beam closest to the visitor edge of the worksurface if specified.

Options:

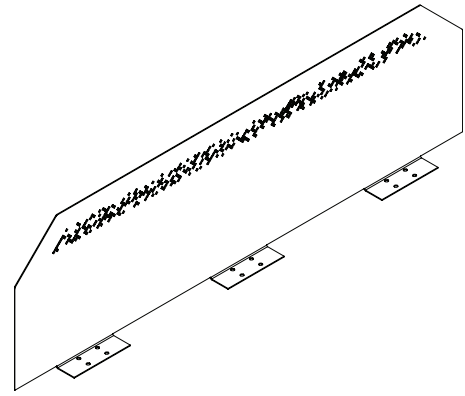
Width 28", 36", 42", 48", 54", 60", 66", 72", 78", 84", 90", 96"

Acrylic **F** frost

How to Order and Read your Code:

F **ATMM** **16** **28**
 product line item height width

Code	Price	H (in.)	W (in.)	D 1 (in.)	Weight (lb)	Volume (ft ³)
frost						
F-ATMM-1636-F	257	16	28	5.38	6	1.88
F-ATMM-1642-F	294	16	34	5.38	7.2	2.29
F-ATMM-1648-F	334	16	40	5.38	8.4	2.69
F-ATMM-1654-F	373	16	46	5.38	9.6	3.09
F-ATMM-1660-F	407	16	52	5.38	10.8	3.5
F-ATMM-1666-F	448	16	58	5.38	12	3.9
F-ATMM-1672-F	510	16	64	5.38	13.2	4.3
F-ATMM-1678-F	548	16	70	5.38	14.4	4.71
F-ATMM-1684-F	587	16	76	5.38	15.6	5.11
F-ATMM-1690-F	626	16	82	5.38	16.8	5.52
F-ATMM-1696-F	663	16	88	5.38	18	5.92



What's Included:

Surface mounted metal screen (1) and removable fasteners (12).

How to Specify:

Available in the same nominal widths as the worksurface, but is actually shorter to accommodate worksurface supports.

Available in a variety of powder coat finish colors. Refer to the samples presented on Tayco metal finish card - accent finish.

Notes:

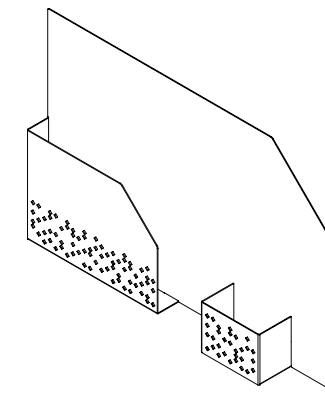
The surface mounted metal screen is placed between two worksurfaces. It can be used on a single surface as well.

Options:

Width 36", 42", 48", 54", 60", 66", 72"

Color	P121 white	P200 sunrise	P201 tropic
	P202 vineyard	P203 sky	P204 meadow

Code	Price	H (in.)	W (in.)	D 1 (in.)	Weight (lb)	Volume (ft ³)
F-ASMS-1336	359	13	36	6	5	2.13
F-ASMS-1342	419	13	42	6	5.5	2.48
F-ASMS-1348	473	13	48	6	6	2.83
F-ASMS-1354	509	13	54	6	6.5	3.19
F-ASMS-1360	590	13	60	6	7	3.54
F-ASMS-1366	702	13	66	6	7.5	3.9
F-ASMS-1372	739	13	72	6	8	4.25



What's Included:

Accessory screen (1).

How to Specify:

Available in a variety of powder coat finish colors. Refer to the samples presented on Tayco metal finish card - accent finish.

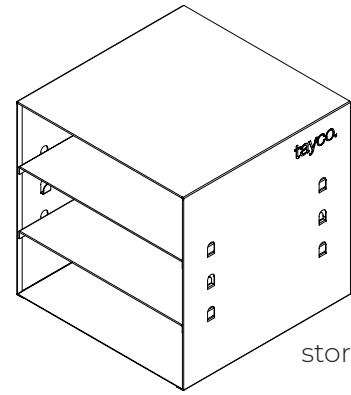
Notes:

The accessory screen is a freestanding privacy screen.

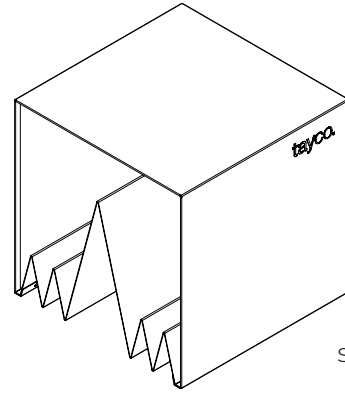
Options:

Color	P121 white	P200 sunrise	P201 tropic
	P202 vineyard	P203 sky	P204 meadow

Code	Price	H (in.)	W (in.)	D 1 (in.)	Weight (lb)	Volume (ft ³)
F-ASCN-1320	348	13	20	6	10	1.18



storage cube (shelf)



storage cube (sorter)

What's Included:

Shelf: Storage cube (1) and two shelf inserts (2).
 Sorter: Storage cube (1) and an insert (1).

How to Specify:

Available in a variety of powder coat finish colors. Refer to the samples presented on Tayco metal finish card.
 Storage cube outer shell and insert are available in a variety of color combinations.

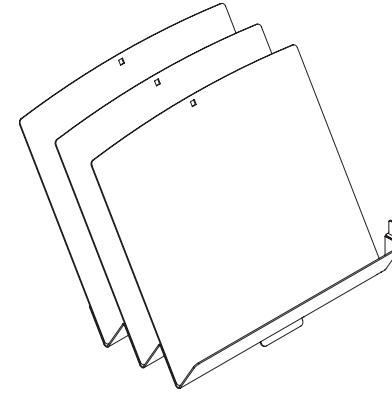
Notes:

Storage cube can hold multiple folders and papers.

Color combination Options:

Insert Color	OUTER SHELL COLOR							
	P121 white	P112 silver	P114 black	P200 sunrise	P201 tropic	P202 vineyard	P203 sky	P204 meadow
P121 white	✓	✓	✓	✓	✓	✓	✓	✓
P112 silver	✓	✓	✓	✓	✓	✓	✓	✓
P114 black	✓	✓	✓	✓	✓	✓	✓	✓
P200 sunrise	✓	✓	✓	✓				
P201 tropic	✓	✓	✓		✓			
P202 vineyard	✓	✓	✓			✓		
P203 sky	✓	✓	✓				✓	
P204 meadow	✓	✓	✓					✓

Code	Price	H (in.)	W (in.)	D 1 (in.)	Weight (lb)	Volume (ft ³)
storage cube (shelf)						
V-ACSF	358	12	12	12	8	1
storage cube (sorter)						
V-ACSR	289	12	12	12	8	1



What's Included:

Paper sorter base (1) and three paper sorter panels (3).

How to Specify:

Available in a variety of powder coat finish colors. Refer to the samples presented on Tayco metal finish card - accent finish.

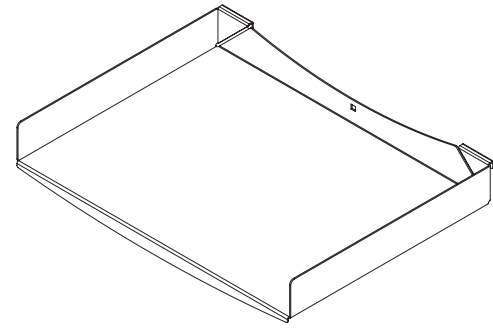
Options:

Color	P121 white P202 vineyard	P200 sunrise P203 sky	P201 tropic P204 meadow

Notes:

Paper sorter can hold multiple folders at an optimal angle

Code	Price	H (in.)	W (in.)	D 1 (in.)	Weight (lb)	Volume (ft ³)
F-AAS	171	2.5	11	10	4	3



What's Included:

Paper tray (1).

How to Specify:

Available in a variety of powder coat finish colors. Refer to the samples presented on Tayco metal finish card - accent finish.

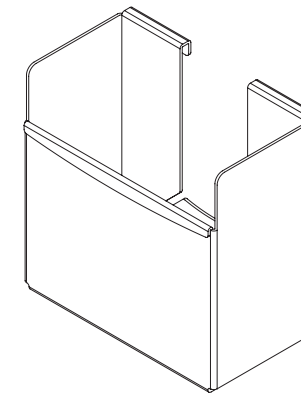
Notes:

Paper tray is available in letter and legal paper sizes.

Options:

Paper size	9 letter	13 legal	
Color	P121 white P202 vineyard	P200 sunrise P203 sky	P201 tropic P204 meadow

Code	Price	H (in.)	W (in.)	D 1 (in.)	Weight (lb)	Volume (ft ³)
letter						
F-AAP-9	85	3.2	12	9	2	0.12
legal						
F-AAP-13	96	3.2	15	9	3	0.16



What's Included:

Pen holder (1).

How to Specify:

Available in a variety of powder coat finish colors. Refer to the samples presented on Tayco metal finish card - accent finish.

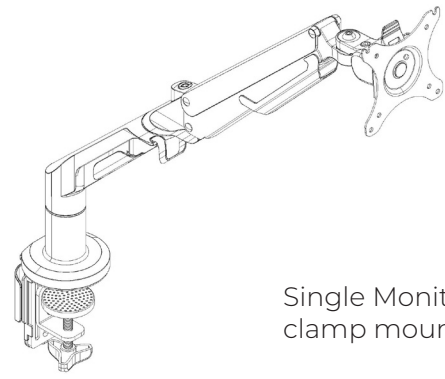
Notes:

Pen holder is 4" wide by 2" deep.

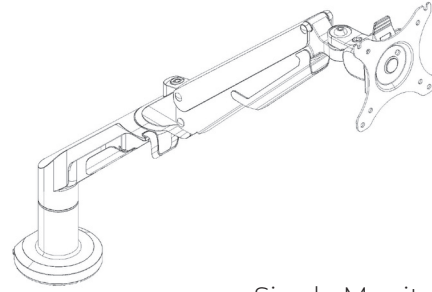
Options:

Color	P121 white P202 vineyard	P200 sunrise P203 sky	P201 tropic P204 meadow
-------	---	--	--

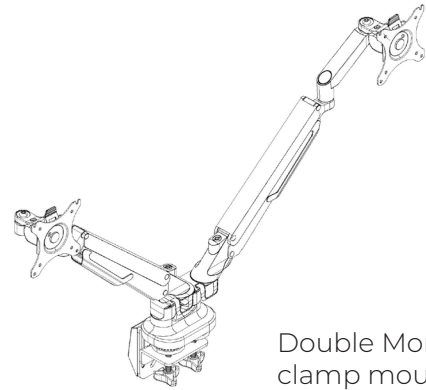
Code	Price	H (in.)	W (in.)	D 1 (in.)	Weight (lb)	Volume (ft ³)
F-AAH	77	4	4	2	1	0.02



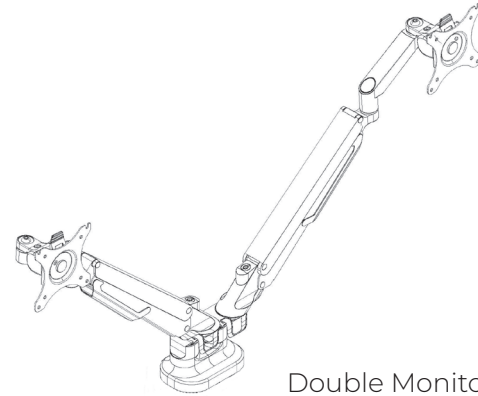
Single Monitor Arm - clamp mount



Single Monitor Arm - grommet mount



Double Monitor Arm - clamp mount



Double Monitor Arm - grommet mount

What's Included:

One monitor arm and installation hardware for both clamp and grommet mount

How to Specify:

- Specify type

Dimensions:

Vesa: 75x75 and 100x100

Code	Price
Monitor Arm - Single Mount	
V-AFMA-01	353
Monitor Arm - Double Mount	
V-AFMA-02	589

Notes:

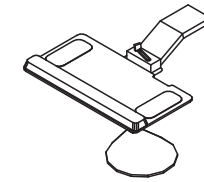
Available in silver and black

Single Monitor Arm

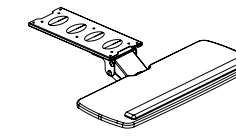
- Screen Size - 17"-36"
- Load Capacity - 6.6-26.4lbs/3-12kg
- Tilt Range - -90 degrees - -15 degrees

Dual Monitor Arm

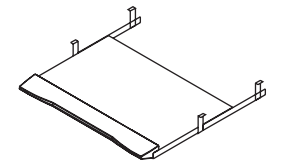
- Screen Size - 17"-32"
- Load Capacity - 4.4-19.8lbs/2-9kg
- Tilt Range - -90 degrees - -15 degrees



Articulating Keyboard Tray w/Mouse Tray



Articulating Keyboard Tray



Retractable Laminate Keyboard Tray

What's Included:

Keyboard Tray, installation hardware.

How to Specify:

Specify laminate color for retractable keyboard. The vinyl trim color will default to match the laminate color unless otherwise specified. See the laminate finish card for details.

For articulating keyboard with mouse, right or left hand must be specified.

The articulating keyboards are available only in black.

Notes:

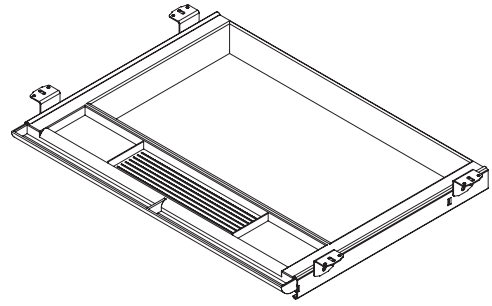
Keyboard trays provide adjustable ergonomic support for individuals in multi-task environments

Options:

Finish: laminate colors (retractable keyboard only)

Hand: **R** right **L** left (for adjustable keyboard with mouse only)

Code	Price	H	W	D	Volume (ft ³)	Weight (lb)
Articulating Keyboard Tray w/Mouse Tray						
V-KAS0-2011-L	593	0	20	11	0	3
V-KAS0-2011-R	593	0	20	11	0	3
Articulating Keyboard Tray						
V-KASX-2510	380	0	25	10	0	15
Retractable Laminate Keyboard Tray						
V-KRS0-2516	249	0	25	16	0	12



What's Included:

Pencil Drawer (1) installation hardware and mounting slides.

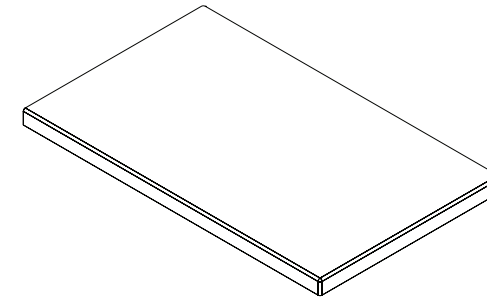
How to Specify:

This product is available only in black.

Notes:

Pencil drawers provide compartmentalized pencil and stationary storage below the worksurface.

Code	Price	H (in.)	W (in.)	Weight (lb)	Volume (ft ³)
V-ADPP	83	21	16	1.8	0.62



What's Included:

Credenza seat cushion (1).

How to Specify:

Specify the width of the seat cushion to be the same as the width of the credenza used for support if a full seat cushion to cover the entire top of a credenza is required

Specify the width of the seat cushion to be 18-inches if an off-modular smaller seat cushion is required to accommodate power access, top mounted storage, and worksurfaces supports.

Refer to the swatches presented on Tayco Seating fabric cards.

Options:

Width 18, 24, 30, 36, 42, 48, 54, 60, 66, 72

Notes:

Mounting brackets on the bottom of the seat fit into the channel rail on the top of credenza allowing the seat cushion to slide from side-to-side along the width of the credenza.

Code	Price	W (in.)
F-ACSC-18	249	18
F-ACSC-24	290	24
F-ACSC-30	330	30
F-ACSC-36	367	36
F-ACSC-42	415	42
F-ACSC-48	454	48
F-ACSC-54	498	54
F-ACSC-60	536	60
F-ACSC-66	583	66
F-ACSC-72	622	72