

tayco®

Accessories
Pricebook
July 2023

Contract Number: PC70284

Contents

caution	3
keyboard tray	4
Pencil drawer	5
task light	6
LED tasklight	7
monitor arm	8
storage cube	9
horizontal wire manager	10
vertical wire manager	11
wall mounted tackboard	12
power/USB	16
grommet covers	17
lock and key	18

Caution

Load Bottom Drawer First

- Operate one drawer at a time
- Units may tip if loaded incorrectly
- Units should be attached to a wall or other furniture to reduce tipping hazard
- Always load the heaviest files in the bottom drawer

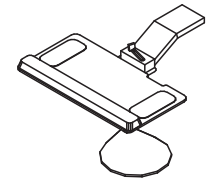
Heavy Load

- Some products must be anchored to wall to ensure stability & safety.
- It is the owner and installers responsibility to ensure that the wall type and construction is of sufficient strength to carry the loads of any wall mounted products and their contents.
- Failure of the wall and anchors to support all imposed loads may result in property damage and/or personal injury.
- Tayco can provide size and empty weight of its products only. As wall blocking is considered a building construction process, Tayco cannot provide recommendations in this respect and cannot be responsible for damage or injury that may occur as a result of improper installation and/or blocking.

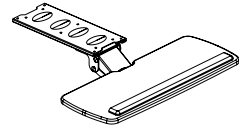
Instability Hazard

Mobile items on casters such as flip top, personal and movable tables of any type and storage items of any type may present an instability hazard if not secured correctly while in use or in storage. Flip top tables or training tables of any type, are inherently more unstable when folded. Tayco provides the following guidelines & warnings when using mobile products:

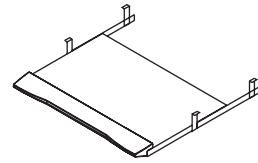
- Lock casters immediately after moving. Do not leave the casters unlocked when in use or in storage.
- Motion may increase the instability of any item with casters. If the wheels hit an obstruction the table's forward momentum often causes overturn, especially if the item is not equipped with wheel extensions. Exercise strong caution while moving these items.
- Use caution when abrupt level changes in the floor are present (such as a doorway or room threshold) as caster failure or tipping may result.
- Do not stand, sit or lean on mobile items for support. They are not intended for this use and personal injury or property damage may result.
- Mobile units that feature height adjustable elements must be lowered to the minimum compressed height when moving to prevent instability. It is also recommended the user remove all computer equipment or other accessories to prevent possible weight imbalance or damage to equipment.
- Failure to follow the guidelines above may result in property damage or personal injury.



Articulating Keyboard Tray w/Mouse Tray



Articulating Keyboard Tray



Retractable Laminate Keyboard Tray

What's Included:

Keyboard Tray, installation hardware.

How to Specify:

Specify laminate color for retractable keyboard. The vinyl trim color will default to match the laminate color unless otherwise specified. See the laminate finish card for details.

For articulating keyboard with mouse, right or left hand must be specified.

The articulating keyboards are available only in black.

Notes:

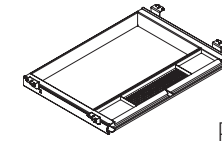
Keyboard trays provide adjustable ergonomic support for individuals in multi-task environments

Options:

Finish: laminate colors (retractable keyboard only)

Hand: **R** right **L** left (for adjustable keyboard with mouse only)

Code	Price	H	W	D	Volume (ft ³)	Weight (lb)
Articulating Keyboard Tray w/Mouse Tray						
V-KAS0-2011-L	593	0	20	11	0	3
V-KAS0-2011-R	593	0	20	11	0	3
Articulating Keyboard Tray						
V-KASX-2510	380	0	25	10	0	15
Retractable Laminate Keyboard Tray						
V-KRS0-2516	249	0	25	16	0	12

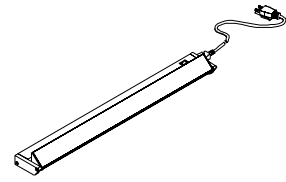


Plastic Pencil Drawer

Notes:

Plastic Pencil Drawers are available in black only.

Code	Price	H	W	D	Volume (ft ³)	Weight (lb)
V-ADPP	83	2.8	21	16	0.62	2

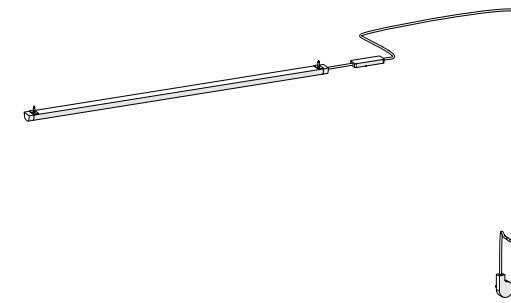


Task Light

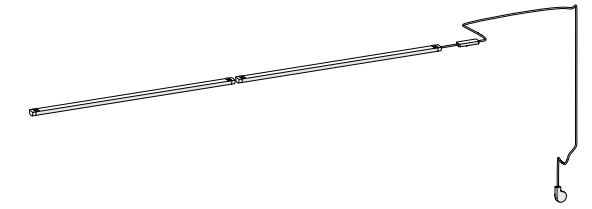
Notes:

Task light comes in black finish.

Code	Price	H	W	D	Volume (ft ³)	Weight (lb)
V-ELU-24	285	0	24	0	0	9.5
V-ELU-36	321	0	36	0	0	13.7
V-ELU-48	403	0	48	0.15	0	17.9



Halifax LED Light 30"(1) with transformer, Wire manager, Mounting Plate and hardware



Halifax LED Light 30"(2) with transformer, Wire manager, Mounting Plate and hardware

What's Included:

- LED Tasklight
- Transformer
- Mounting Plate
- Mounting Hardware

How to Specify:

3666 fits under overheads between 36"-66"W

7284 fits under overheads between 72"-84"W

Notes:

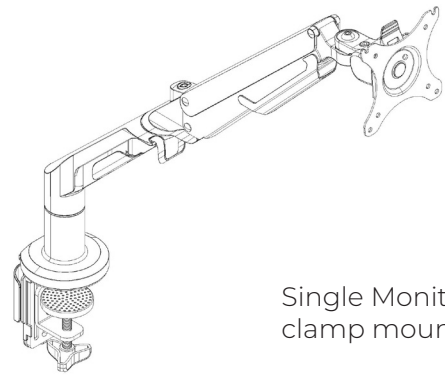
7284 consists of two 30" lights

Hardware includes screws for wood overhead and magnets for metal overheads

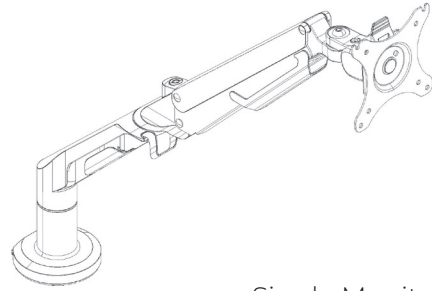
Options:

Available in Silver only

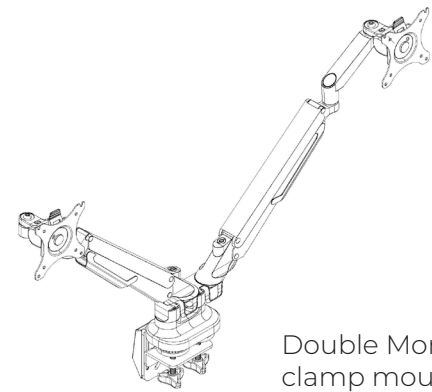
Code	Price
LED Tasklight	
V-ELU-3666	398
V-ELU-7284	738



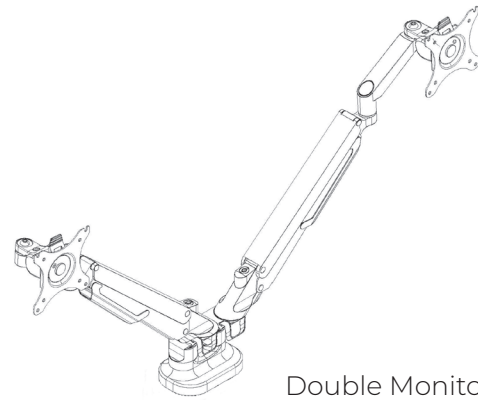
Single Monitor Arm - clamp mount



Single Monitor Arm - grommet mount



Double Monitor Arm - clamp mount



Double Monitor Arm - grommet mount

What's Included:

One monitor arm and installation hardware for both clamp and grommet mount

How to Specify:

- Specify type

Dimensions:

Vesa: 75x75 and 100x100

Code	Price
Monitor Arm - Single Mount	
V-AFMA-01	353
Monitor Arm - Double Mount	
V-AFMA-02	589

Notes:

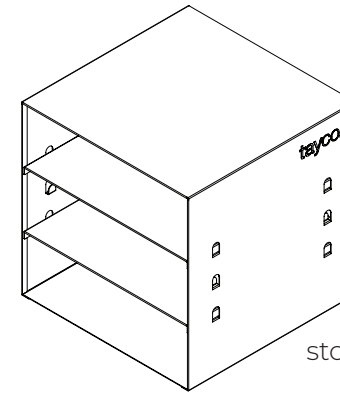
Available in silver and black

Single Monitor Arm

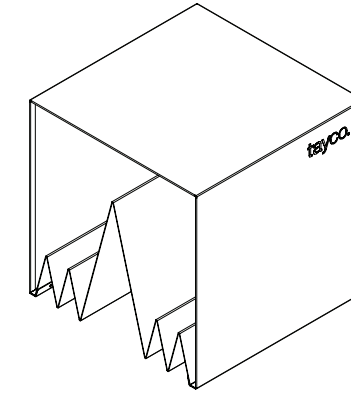
- Screen Size - 17"-36"
- Load Capacity - 6.6-26.4lbs/3-12kg
- Tilt Range - -90 degrees - -15 degrees

Dual Monitor Arm

- Screen Size - 17"-32"
- Load Capacity - 4.4-19.8lbs/2-9kg
- Tilt Range - -90 degrees - -15 degrees



storage cube (shelf)



storage cube (sorter)

What's Included:

Shelf: Storage cube (1) and two shelf inserts (2).

Sorter: Storage cube (1) and an insert (1).

How to Specify:

Available in a variety of powder coat finish colors. Refer to the samples presented on Tayco metal finish card.

Storage cube outer shell and insert are available in a variety of color combinations.

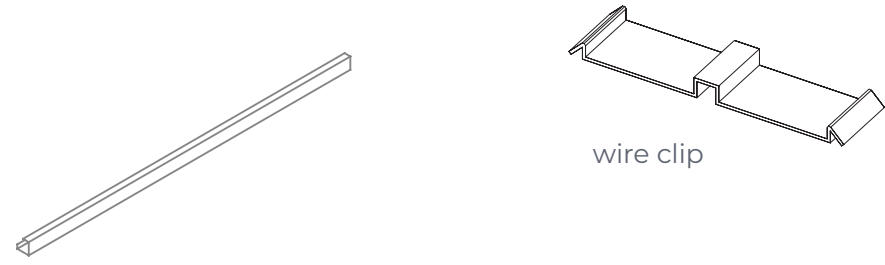
Notes:

Storage cube can hold multiple folders and papers.

Color combination Options:

Insert Color	OUTER SHELL COLOR							
	P121 white	P112 silver	P114 black	P200 sunrise	P201 tropic	P202 vineyard	P203 sky	P204 meadow
P121 white	✓	✓	✓	✓	✓	✓	✓	✓
P112 silver	✓	✓	✓	✓	✓	✓	✓	✓
P114 black	✓	✓	✓	✓	✓	✓	✓	✓
P200 sunrise	✓	✓	✓	✓				
P201 tropic	✓	✓	✓		✓			
P202 vineyard	✓	✓	✓			✓		
P203 sky	✓	✓	✓				✓	
P204 meadow	✓	✓	✓					✓

Code	Price	H (in.)	W (in.)	D 1 (in.)	Weight (lb)	Volume (ft ³)
storage cube (shelf)						
V-ACSF	358	12	12	12	8	1
storage cube (sorter)						
V-ACSR	289	12	12	12	8	1



What's Included:

One (1) cable manager

How to Specify:

Available in black only

Dimensions:

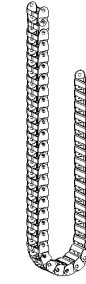
length 12", 18", 24", 30", 36", 42", 48", 54", 60", 66", 72"

Notes:

Code	Price	H	W	D	Weight (lb.)	Volume (ft ³)
horizontal wire manager						
V-EWHB-12	8	1.5	12	1.5	0.15	0.02
V-EWHB-18	11	1.5	18	1.5	0.25	0.02
V-EWHB-24	15	1.5	24	1.5	0.35	0.03
V-EWHB-30	19	1.5	30	1.5	0.45	0.04
V-EWHB-36	22	1.5	36	1.5	0.55	0.05
V-EWHB-42	25	1.5	42	1.5	0.65	0.05
V-EWHB-48	28	1.5	48	1.5	0.75	0.06
V-EWHB-54	31	1.5	54	1.5	0.85	0.07
V-EWHB-60	35	1.5	60	1.5	0.95	0.08
V-EWHB-66	39	1.5	66	1.5	1.05	0.09
V-EWHB-72	41	1.5	72	1.5	1.15	0.09
worksurface wire clips						
V-EWHC	37					



elephant trunk



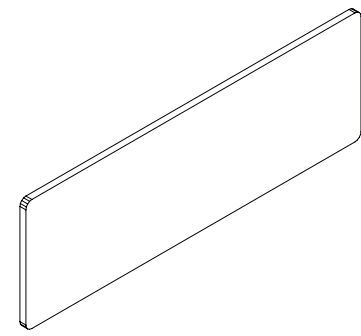
E-Chain Wire Manager

Notes:

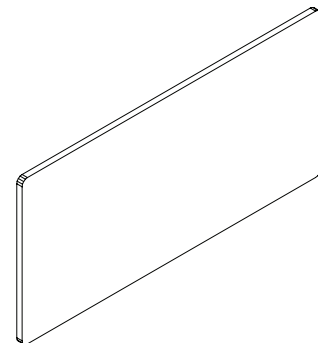
Elephant trunk is available in silver only.

E-Chain is available in black only

Code	Price	H	W	D	Volume (ft ³)	Weight (lb)
elephant trunk						
V-EE00	300	28	4	4	0.25	1
e-chain wire manager						
V-EE-28	278	28			1	1



14-inch



24-inch

What's Included:

Wall mounted tackboard, fasteners.

How to Specify:

Specify fabric.

Notes:

The wall mounted tackboard mounts to a wall in the workspace to provide a fabric wrapped tackable surface.

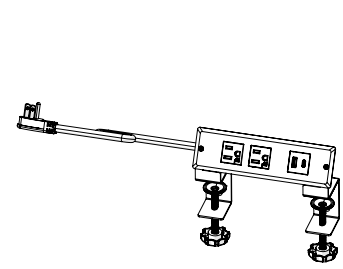
Options:

height	14, 24
width	24, 30, 36, 42, 48, 54, 60, 66, 72
screen finish	panel fabrics

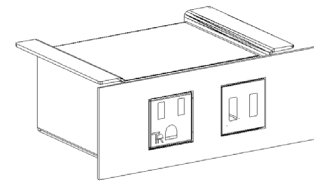
Code	Price	H (in.)	W (in.)	Weight (lb)	Volume (ft ³)
V-ATW0-1424-1	110	14	24	1.2	0.19
V-ATW0-1430-1	119	14	30	1.5	0.24
V-ATW0-1436-1	147	14	36	1.9	0.29
V-ATW0-1442-1	156	14	42	2.2	0.34
V-ATW0-1448-1	161	14	48	2.5	0.39
V-ATW0-1454-1	171	14	54	2.8	0.44
V-ATW0-1460-1	179	14	60	3.1	0.49
V-ATW0-1466-1	226	14	66	3.4	0.54
V-ATW0-1472-1	244	14	72	3.7	0.59
V-ATW0-1478-1	334	14	78	4	0.64
V-ATW0-1484-1	342	14	84	4.3	0.69
V-ATW0-1496-1	354	14	96	4.6	0.79
V-ATW0-2124-1	166	21	24	1.8	0.28
V-ATW0-2130-1	178	21	30	2.25	0.36
V-ATW0-2142-1	234	21	42	3.3	0.51
V-ATW0-2148-1	242	21	48	3.75	0.58
V-ATW0-2154-1	256	21	54	4.2	0.66
V-ATW0-2160-1	268	21	60	4.65	0.73
V-ATW0-2166-1	338	21	66	5.1	0.81
V-ATW0-2172-1	366	21	72	5.55	0.89
V-ATW0-2178-1	501	21	78	6	0.96
V-ATW0-2184-1	515	21	84	6.45	1.03
V-ATW0-2196-1	532	21	96	7.35	1.19
V-ATW0-2424-1	188	24	24	2.05	0.32
V-ATW0-2430-1	202	24	30	2.56	0.41
V-ATW0-2436-1	251	24	36	3.25	0.5
V-ATW0-2442-1	265	24	42	3.76	0.58
V-ATW0-2448-1	274	24	48	4.28	0.67
V-ATW0-2454-1	290	24	54	4.79	0.75
V-ATW0-2460-1	305	24	60	5.3	0.84
V-ATW0-2466-1	383	24	66	5.81	0.92
V-ATW0-2472-1	415	24	72	6.33	1.01
V-ATW0-2478-1	568	24	78	6.84	1.09
V-ATW0-2484-1	582	24	84	7.35	1.18
V-ATW0-2490-1	593	24	90	7.87	1.27
V-ATW0-2496-1	603	24	96	8.38	1.35

Code	Price	H (in.)	W (in.)	Weight (lb)	Volume (ft ³)
V-ATW0-1424-2	141	14	24	1.2	0.19
V-ATW0-1430-2	149	14	30	1.5	0.24
V-ATW0-1436-2	208	14	36	1.9	0.29
V-ATW0-1442-2	217	14	42	2.2	0.34
V-ATW0-1448-2	221	14	48	2.5	0.39
V-ATW0-1454-2	231	14	54	2.8	0.44
V-ATW0-1460-2	240	14	60	3.1	0.49
V-ATW0-1466-2	316	14	66	3.4	0.54
V-ATW0-1472-2	336	14	72	3.7	0.59
V-ATW0-1478-2	425	14	78	4	0.64
V-ATW0-1484-2	433	14	84	4.3	0.69
V-ATW0-1490-2	439	14	90	4.6	0.74
V-ATW0-1496-2	475	14	96	4.9	0.79
V-ATW0-2124-2	196	21	24	1.8	0.28
V-ATW0-2130-2	208	21	30	2.25	0.36
V-ATW0-2136-2	282	21	36	2.85	0.43
V-ATW0-2142-2	295	21	42	3.3	0.51
V-ATW0-2148-2	303	21	48	3.75	0.58
V-ATW0-2154-2	317	21	54	4.2	0.66
V-ATW0-2160-2	329	21	60	4.65	0.73
V-ATW0-2166-2	428	21	66	5.1	0.81
V-ATW0-2172-2	458	21	72	5.55	0.89
V-ATW0-2178-2	592	21	78	6	0.96
V-ATW0-2184-2	605	21	84	6.45	1.03
V-ATW0-2190-2	614	21	90	6.9	1.11
V-ATW0-2196-2	653	21	96	7.35	1.19
V-ATW0-2424-2	218	24	24	2.05	0.32
V-ATW0-2430-2	232	24	30	2.56	0.41
V-ATW0-2436-2	311	24	36	3.25	0.5
V-ATW0-2442-2	326	24	42	3.76	0.58
V-ATW0-2448-2	334	24	48	4.28	0.67
V-ATW0-2454-2	351	24	54	4.79	0.75
V-ATW0-2460-2	365	24	60	5.3	0.84
V-ATW0-2466-2	473	24	66	5.81	0.92
V-ATW0-2472-2	506	24	72	6.33	1.01
V-ATW0-2478-2	658	24	78	6.84	1.09
V-ATW0-2484-2	673	24	84	7.35	1.18
V-ATW0-2490-2	684	24	90	7.87	1.27
V-ATW0-2496-2	724	24	96	8.38	1.35

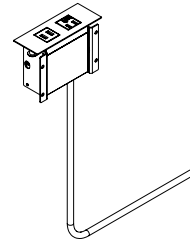
Code	Price	H (in.)	W (in.)	Weight (lb)	Volume (ft ³)
V-ATW0-1424-3	171	14	24	1.2	0.19
V-ATW0-1430-3	179	14	30	1.5	0.24
V-ATW0-1436-3	268	14	36	1.9	0.29
V-ATW0-1442-3	277	14	42	2.2	0.34
V-ATW0-1448-3	282	14	48	2.5	0.39
V-ATW0-1454-3	292	14	54	2.8	0.44
V-ATW0-1460-3	300	14	60	3.1	0.49
V-ATW0-1466-3	407	14	66	3.4	0.54
V-ATW0-1472-3	426	14	72	3.7	0.59
V-ATW0-1478-3	516	14	78	4	0.64
V-ATW0-1484-3	524	14	84	4.3	0.69
V-ATW0-1490-3	530	14	90	4.6	0.74
V-ATW0-1496-3	536	14	96	4.9	0.79
V-ATW0-2124-3	227	21	24	1.8	0.28
V-ATW0-2130-3	239	21	30	2.25	0.36
V-ATW0-2136-3	342	21	36	2.85	0.43
V-ATW0-2142-3	355	21	42	3.3	0.51
V-ATW0-2148-3	363	21	48	3.75	0.58
V-ATW0-2154-3	377	21	54	4.2	0.66
V-ATW0-2160-3	389	21	60	4.65	0.73
V-ATW0-2166-3	519	21	66	5.1	0.81
V-ATW0-2172-3	548	21	72	5.55	0.89
V-ATW0-2178-3	682	21	78	6	0.96
V-ATW0-2184-3	696	21	84	6.45	1.03
V-ATW0-2190-3	704	21	90	6.9	1.11
V-ATW0-2196-3	714	21	96	7.35	1.19
V-ATW0-2424-3	249	24	24	2.05	0.32
V-ATW0-2430-3	263	24	30	2.56	0.41
V-ATW0-2436-3	372	24	36	3.25	0.5
V-ATW0-2442-3	386	24	42	3.76	0.58
V-ATW0-2448-3	395	24	48	4.28	0.67
V-ATW0-2454-3	411	24	54	4.79	0.75
V-ATW0-2460-3	426	24	60	5.3	0.84
V-ATW0-2466-3	564	24	66	5.81	0.92
V-ATW0-2472-3	596	24	72	6.33	1.01
V-ATW0-2478-3	749	24	78	6.84	1.09
V-ATW0-2484-3	763	24	84	7.35	1.18
V-ATW0-2490-3	774	24	90	7.87	1.27
V-ATW0-2496-3	784	24	96	8.38	1.35



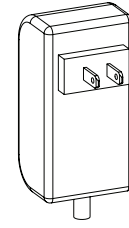
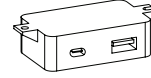
clamp mount desktop power module equipped with two ac outlets, one USB A and one USB C charging ports, and one (1) three prong cord



Side Mounted, 1 Outlet + Dual USB Ports

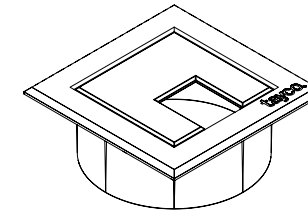


Side Mounted Module With Power And USB

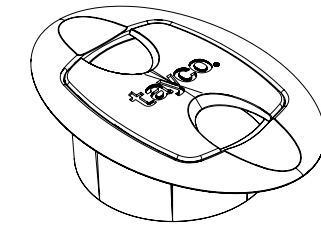


Side Mounted USB A & C, 1 Module, with AC Adapter

Code	Price	H	W	D	Volume	Weight
clamp mount desktop power module (2 AC outlets and 1 ea USB A & C ports)						
V-EMW-2AC	173	6	4	3	1	0.04
USB adapter (1 ea USB A & C ports with adapter)						
V-ESMU-A	169				2	2
side Mounted USB, 4 Module, With Hub						
V-ESMU-K	939				2	2
side Mounted Module With Power And USB						
V-ESMU-P	245				2	2



square grommet cover



oval grommet cover

Notes:

Square Grommet covers available in black, silver and white.

Oval Grommet covers available in black and silver

Code	Price	H	W	D	Color	Weight (lb)
square grommet covers						
8540-1132	20	1.25	3.13	3.13	black	0.44
8540-1133	20	1.25	3.13	3.13	white	0.44
8540-1134	20	1.25	3.13	3.13	silver	0.44
oval grommet covers						
8540-0790	20	1.13	3	4.75	black	0.44
8540-0791	20	1.13	3	4.75	silver	0.44

Code	Price	H	W	D	Volume (ft ³)	Weight (lb)
lock and key						
GEN-LOCK-CORE-KEY	19					