



Scene Pricebook

January 2026

Contents

| | |
|---|----|
| Caution | 7 |
| overview | 8 |
| the line-up | 9 |
| general instructions | 15 |
| workspace definition | 16 |
| screen definition | 18 |
| installation sequence | 22 |
| screen post to surface | 24 |
| screens to screen post | 25 |
| end reinforcement bars to open center gable | 29 |
| shared reinforcement bars to open center gable | 30 |
| no connector reinforcement bars to workspace | 31 |
| workspace to workspace flush plate | 32 |
| flag storage installation | 34 |
| single post support | 35 |
| low credenza to workspace fixed support | 36 |
| low credenza to wide workspace fixed support | 37 |
| workspace to high credenza installation | 38 |
| reinforcement beams to workspace | 39 |
| front inset spacer to high credenza installation | 40 |
| overhead storage - attachment to dry wall with wood studs | 42 |
| credenza mounted storage to high credenza installation | 44 |
| credenza mounted storage to high credenza installation | 44 |
| surface mounted screen | 45 |
| trough mounted modesty screen | 46 |
| wire management trough to surface | 47 |
| power pole installation | 48 |
| trough mounted communication box installation | 50 |
| trough mounted power box installation | 51 |

| | |
|--|-----|
| pedestals | 53 |
| freestanding | 54 |
| mobile | 56 |
| lateral | 59 |
| 2 Drawer | 60 |
| 3 Drawer | 62 |
| 4 Drawer | 64 |
| open high | 68 |
| enclosed high | 69 |
| combo high | 70 |
| open low | 72 |
| enclosed low | 73 |
| combo low | 74 |
| 4 door laminate | 77 |
| 4 door laminate | 78 |
| 4 door acrylic | 79 |
| 2 door laminate | 80 |
| 2 door acrylic | 81 |
| flag storage | 83 |
| open shelf | 84 |
| shared open shelf | 86 |
| left side flag storage | 87 |
| right side flag storage | 88 |
| credenza mount storage | 91 |
| single level - open shelf | 92 |
| double level - open shelf | 94 |
| double level - open shelf/hinged door | 95 |
| double level - open shelf/frost door | 96 |
| double level - frost acrylic hinged door | 98 |
| double level - hinged door | 100 |
| wall mounted storage | 103 |
| open shelf | 104 |
| hinged door hutch | 105 |
| frost acrylic hinged door hutch | 106 |

| | |
|--|-----|
| tower | 109 |
| closet | 110 |
| acrylic door closet | 111 |
| storage | 112 |
| acrylic door storage | 114 |
| combo storage - closet / cabinet | 116 |
| acrylic door cabinet /combo storage - closet | 117 |
| acrylic door cabinet /combo storage - closet tower | 117 |
| combo storage - closet / BBF / cabinet | 118 |
| acrylic door cabinet / BBF / combo storage - closet | 119 |
| combo storage - closet / FF / cabinet | 120 |
| combo storage - closet / FF / acrylic door cabinet | 122 |
| surface | 125 |
| type 1 arc worksurface w/ center grommet | 126 |
| type 1 arc worksurface w/ side grommet | 128 |
| type 1 straight worksurface w/ center grommet | 130 |
| type 1 straight worksurface w/ side grommet | 132 |
| type 1 straight worksurface without grommet | 134 |
| type 1 unitized desk w/ side grommet | 136 |
| type 1 D worksurface w/ side grommet | 138 |
| credenza mounted D worksurface w/ side grommet | 140 |
| credenza mounted straight worksurface | 142 |
| credenza mounted straight return w/ center grommet | 144 |
| flag storage straight worksurface (single full side) | 146 |
| flag storage straight worksurface (single shared side) | 148 |
| flag storage straight worksurface (full / shared) | 150 |
| flag storage straight worksurface (shared / shared) | 152 |
| surfaces with power grommet | 155 |
| straight worksurface | 156 |
| credenza surface straight return | 158 |
| table | 161 |
| freestanding square table | 162 |
| freestanding round table | 163 |

| | |
|---------------------------------|-----|
| screens | 165 |
| privacy screen - end to end | 166 |
| solid | 166 |
| whiteboard | 171 |
| fabric | 174 |
| frost acrylic | 178 |
| solid | 182 |
| whiteboard | 187 |
| fabric | 190 |
| frost acrylic | 194 |
| solid | 198 |
| whiteboard | 203 |
| fabric | 206 |
| frost acrylic | 210 |
| screen components | 215 |
| accessories rail - end to end | 216 |
| accessories rail - end to share | 218 |
| post | 220 |
| supports | 223 |
| spacer | 224 |
| end gable | 226 |
| flag storage gable | 227 |
| center gable | 228 |
| single support leg | 229 |
| low credenza support | 230 |
| mending plate | 231 |
| reinforcement bars | 233 |
| end to end | 234 |
| end to share | 236 |
| share to share | 238 |
| end to no connector | 240 |
| share to no connector | 242 |
| no connector | 244 |

| | |
|--|-----|
| electrics | 247 |
| wire management trough | 248 |
| trough mounted power box | 250 |
| electrical splitter harness | 252 |
| connector harness (female to female) | 254 |
| connector harness (female to female) continued | 256 |
| connector harness (female to male) | 257 |
| power pole | 258 |
| power pole bracket | 259 |
| under worksurface mounted wire manager | 260 |
| task light | 261 |
| pop-up grommet | 262 |
| accessories | 265 |
| trough mounted modesty | 266 |
| surface mounted metal screen | 268 |
| accessory screen | 269 |
| storage cube | 270 |
| paper sorter | 271 |
| paper tray | 272 |
| pen holder | 273 |
| monitor arm | 274 |
| keyboard tray | 275 |
| pencil tray | 276 |
| credenza seat cushion | 277 |

Caution

Load Bottom Drawer First

- Operate one drawer at a time
- Units may tip if loaded incorrectly
- Units should be attached to a wall or other furniture to reduce tipping hazard
- Always load the heaviest files in the bottom drawer

Heavy Load

- Some products must be anchored to wall to ensure stability & safety.
- It is the owner and installers responsibility to ensure that the wall type and construction is of sufficient strength to carry the loads of any wall mounted products and their contents.
- Failure of the wall and anchors to support all imposed loads may result in property damage and/or personal injury.
- Tayco can provide size and empty weight of its products only. As wall blocking is considered a building construction process, Tayco cannot provide recommendations in this respect and cannot be responsible for damage or injury that may occur as a result of improper installation and/or blocking.

Instability Hazard

Mobile items on casters such as flip top, personal and movable tables of any type and storage items of any type may present an instability hazard if not secured correctly while in use or in storage. Flip top tables or training tables of any type, are inherently more unstable when folded. Tayco provides the following guidelines & warnings when using mobile products:

- Lock casters immediately after moving. Do not leave the casters unlocked when in use or in storage.
- Motion may increase the instability of any item with casters. If the wheels hit an obstruction the table's forward momentum often causes overturn, especially if the item is not equipped with wheel extensions. Exercise strong caution while moving these items.
- Use caution when abrupt level changes in the floor are present (such as a doorway or room threshold) as caster failure or tipping may result.
- Do not stand, sit or lean on mobile items for support. They are not intended for this use and personal injury or property damage may result.
- Mobile units that feature height adjustable elements must be lowered to the minimum compressed height when moving to prevent instability. It is also recommended the user remove all computer equipment or other accessories to prevent possible weight imbalance or damage to equipment.
- Failure to follow the guidelines above may result in property damage or personal injury.

| | |
|---|----|
| the line-up | 9 |
| general instructions | 15 |
| workspace definition | 16 |
| screen definition | 18 |
| installation sequence | 22 |
| screen post to surface | 24 |
| screens to screen post | 25 |
| end reinforcement bars to open center gable | 29 |
| shared reinforcement bars to open center gable | 30 |
| no connector reinforcement bars to workspace | 31 |
| workspace to workspace flush plate | 32 |
| flag storage installation | 34 |
| single post support | 35 |
| low credenza to workspace fixed support | 36 |
| low credenza to wide workspace fixed support | 37 |
| workspace to high credenza installation | 38 |
| reinforcement beams to workspace | 39 |
| front inset spacer to high credenza installation | 40 |
| overhead storage - attachment to dry wall with wood studs | 42 |
| credenza mounted storage to high credenza installation | 44 |
| surface mounted screen | 45 |
| trough mounted modesty screen | 46 |
| wire management trough to surface | 47 |
| power pole installation | 48 |
| trough mounted communication box installation | 50 |
| trough mounted power box installation | 51 |

pedestal



F-FPBF



F-FPFF



F-FPLO



F-FPLS (cushion)

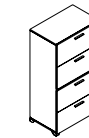
lateral



2H Lateral



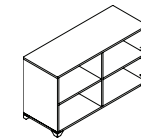
3H Lateral



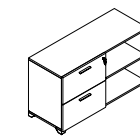
4H Lateral

credenza

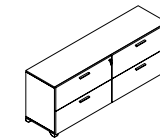
high credenza



open credenza

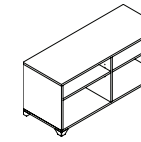


Combo credenza

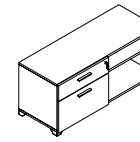


enclosed credenza

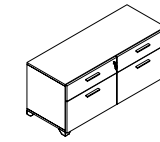
low credenza



open credenza



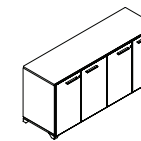
Combo credenza



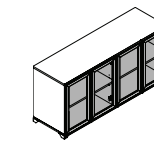
enclosed credenza

cabinet

4 door cabinet

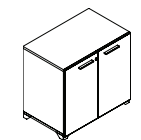


Laminate door

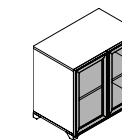


acrylic door

2 door cabinet

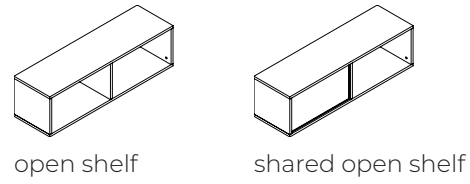


Laminate door



acrylic door

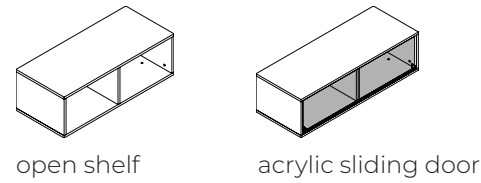
Flag storage



open shelf shared open shelf

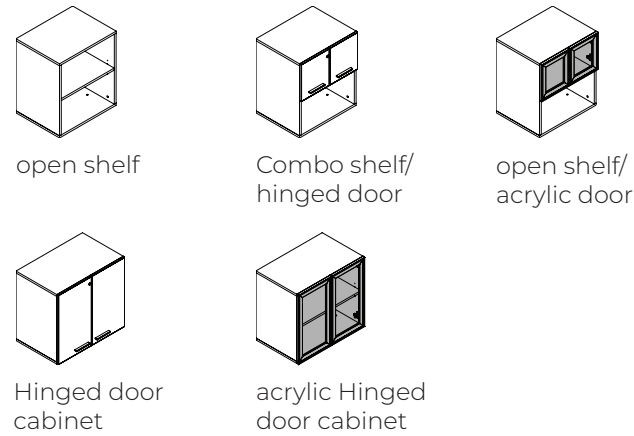
Credenza Mount storage

single level



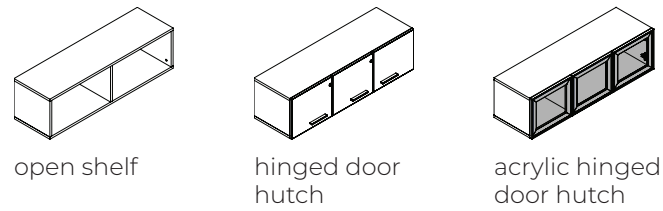
open shelf acrylic sliding door

double level



open shelf Combo shelf/hinged door open shelf/acrylic door Hinged door cabinet acrylic Hinged door cabinet

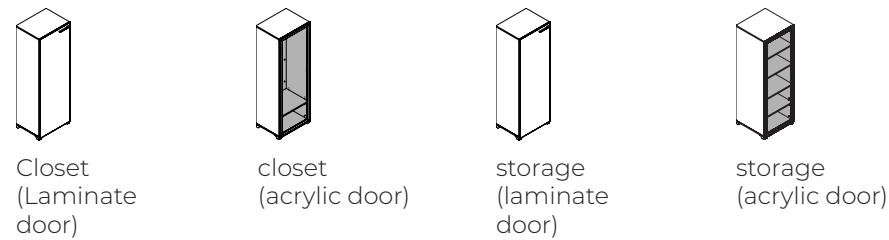
Wall mount storage



open shelf hinged door hutch acrylic hinged door hutch

Tower

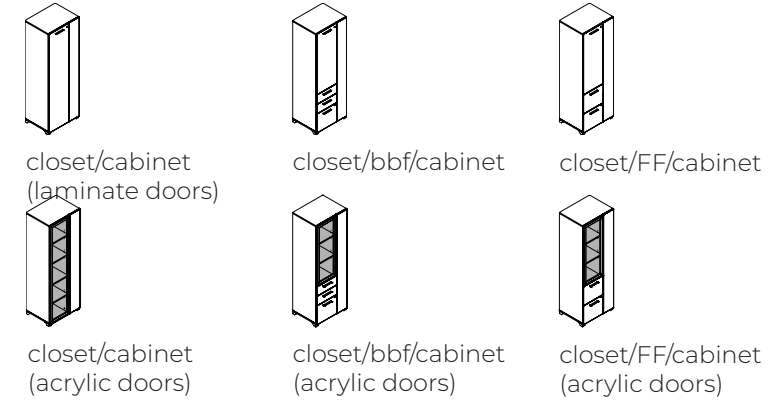
individual storage



Closet (Laminate door) closet (acrylic door) storage (laminated door) storage (acrylic door)

tower - cont'd

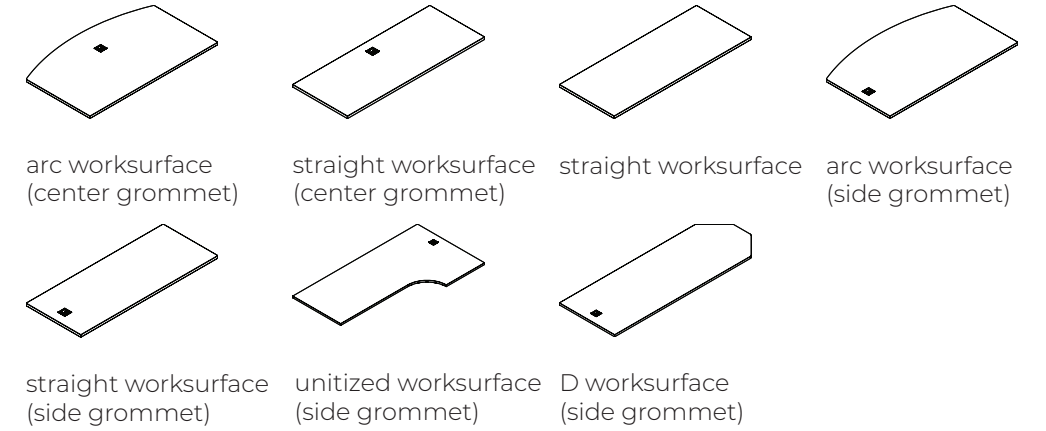
combo storage



closet/cabinet (laminated doors) closet/bbf/cabinet closet/FF/cabinet closet/cabinet (acrylic doors) closet/bbf/cabinet (acrylic doors) closet/FF/cabinet (acrylic doors)

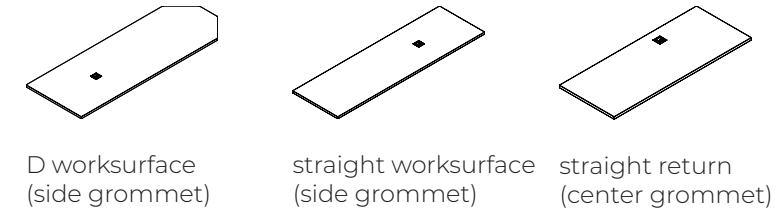
surface

surface type 1



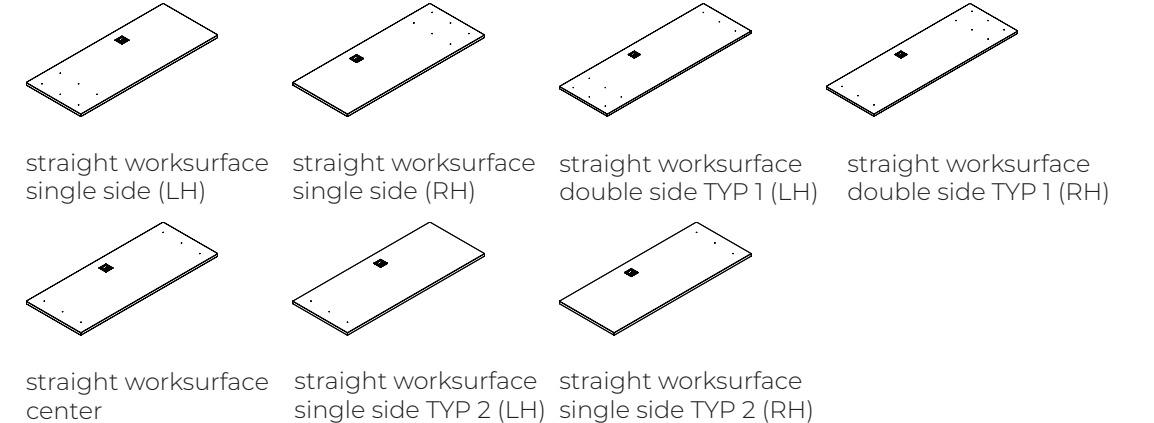
arc worksurface (center grommet) straight worksurface (center grommet) straight worksurface (side grommet) arc worksurface (side grommet) straight worksurface (side grommet) unitized worksurface (side grommet) D worksurface (side grommet)

credenza mounted



D worksurface (side grommet) straight worksurface (side grommet) straight return (center grommet)

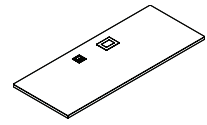
flag surface



straight worksurface single side (LH) straight worksurface single side (RH) straight worksurface double side TYP 1 (LH) straight worksurface double side TYP 1 (RH) straight worksurface center straight worksurface single side TYP 2 (LH) straight worksurface single side TYP 2 (RH)

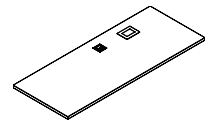
surface with power grommet

surface type 1



straight desk
(center grommet)

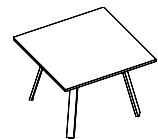
credenza mounted



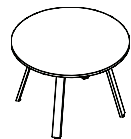
straight return
(center grommet w/ spacer)

table

freestanding table

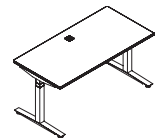


square table



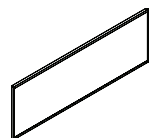
round table

height adjustable table

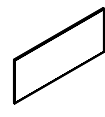


straight table

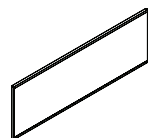
post mounted privacy screen



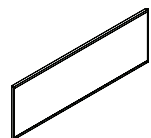
Solid screen



Acrylic screen

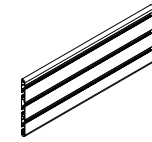


Fabric/Tackboard
screen



whiteboard
screen

screen components



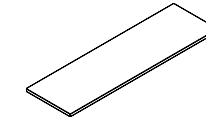
accessory rail



post

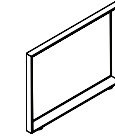
support

spacer support

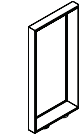


Spacer- front insert
(single sided)

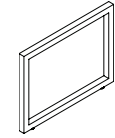
gable/leg support



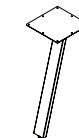
end gable



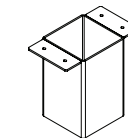
flag storage gable



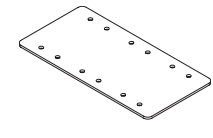
center gable



single support post

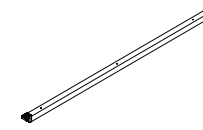


low credenza support

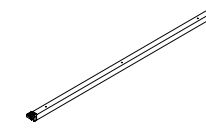


mending plate

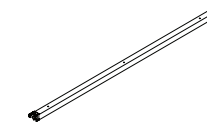
reinforcement bar



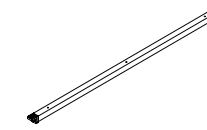
end to end



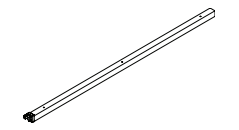
end to share



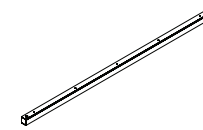
share to share



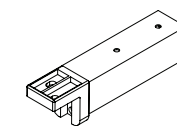
end / no
connection



shared / no
connection

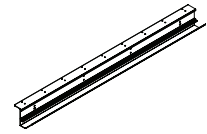


no connection

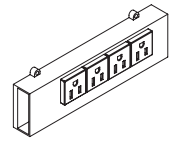


short beam

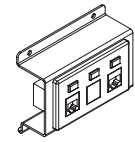
electrics



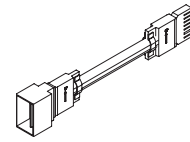
wire trough



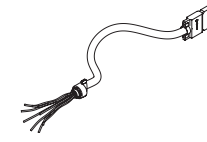
trough Mounted receptacle



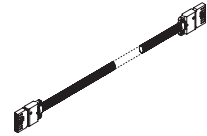
trough Mounted data box



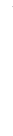
splitter



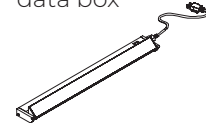
starter



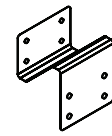
connector harness



power pole

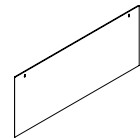


task light

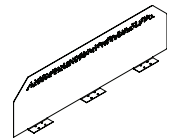


power pole bracket

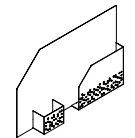
accessory



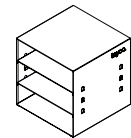
trough mount modesty



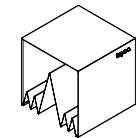
surface mount metal screen



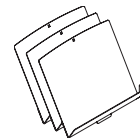
accessory screen



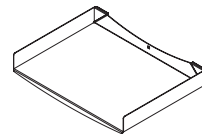
storage cube (shelf)



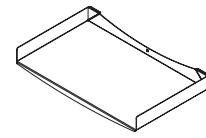
storage cube (sorter)



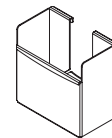
paper sorter



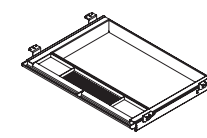
letter size tray



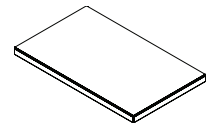
legal size tray



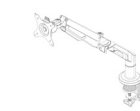
pen holder



Pencil drawer



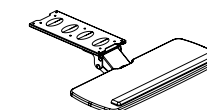
credenza cushion



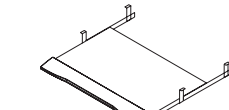
monitor arm single mount



monitor arm double mount



adj keyboard straight



retractable keyboard

general instructions

installation checklist

Perform a site inspection prior to the installation date to check existing site conditions and identify constraints and limitations that could possibly cause delays or problems during the actual installation.

Site Accessibility

1. Verify existing loading facilities and proximity of loading dock to staging area.
2. Verify if receiving area is accessible by trailer.
3. Verify access to service elevators.
4. Reserve service elevators in advance, if necessary.

Site Preparation

1. Clear all obstacles that could interfere with the installation process.
2. When doing a reconfiguration, ensure that all furniture to be re-used is clear of computers, accessories, books, papers and all personal effects.
3. Ensure that all live wires and data/communications wires are disconnected prior to installation.

Furniture Plans

1. Labeled furniture plans for installation purposes are located in the hardware box. Ensure that drawings are complete and handy before beginning installation.

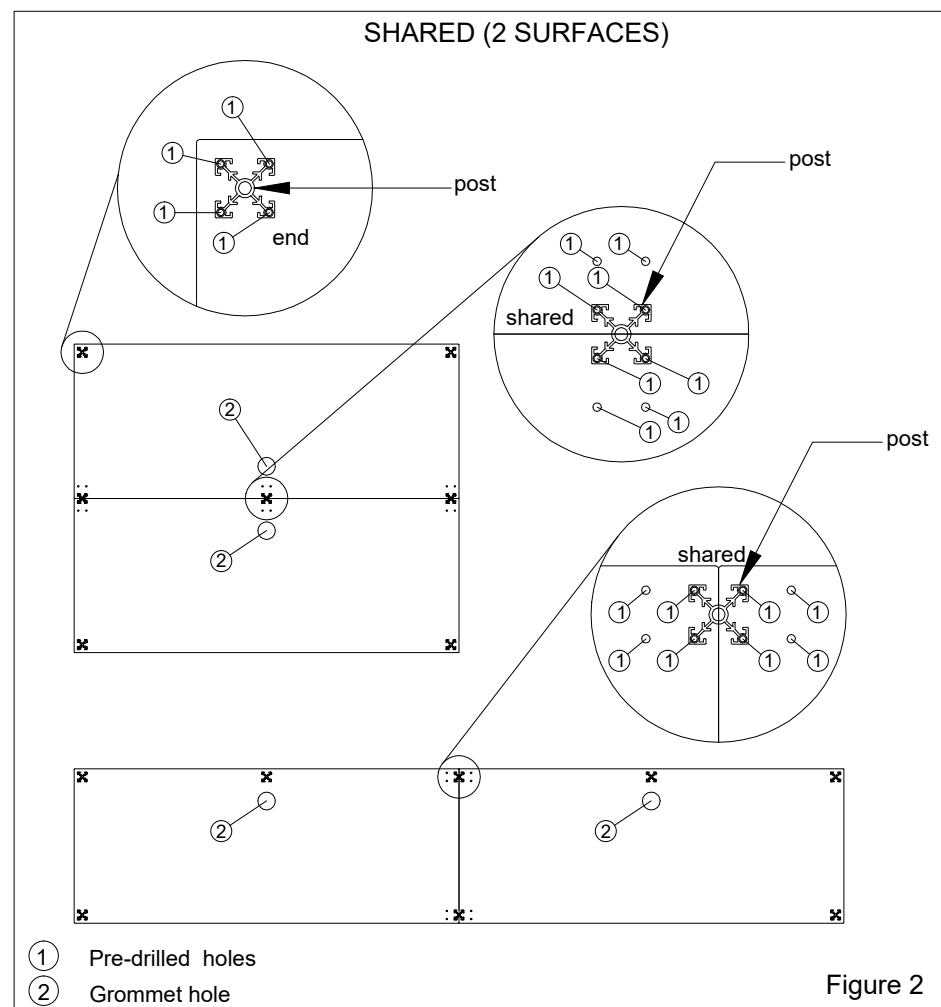
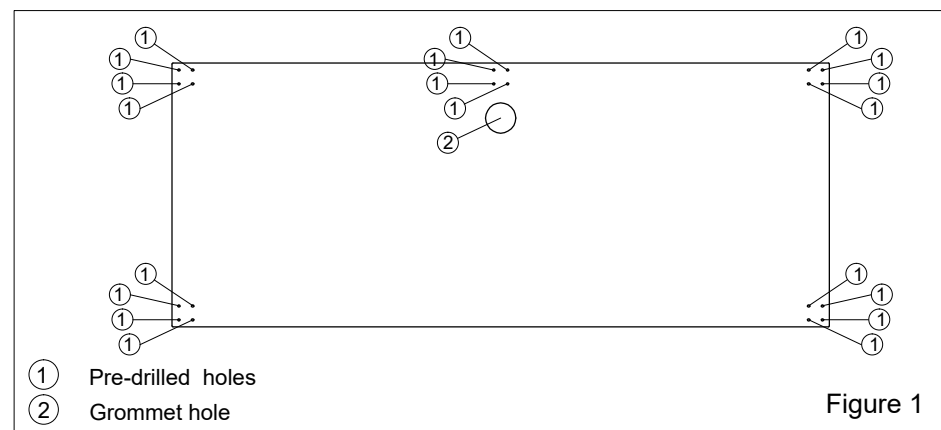
Waste Management

1. Establish a trash removal area separate from the product staging area.

workspace definition

workspace definition

1. Pre-drilled locations, Figure 1.
2. Figure 2 shows how to position the post on two shared surfaces.

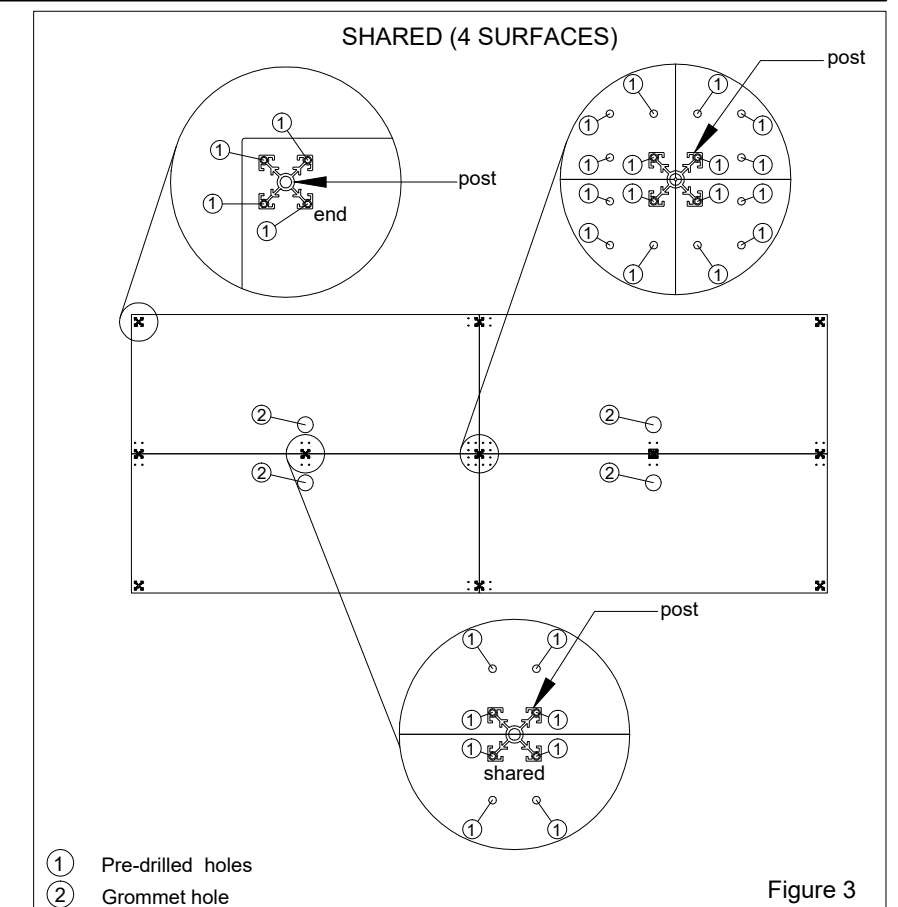


IMPORTANT NOTES:

- Do not drill all the pre-drilled holes, drill only where required as per furniture layout configuration.
- Check the layout for post positioning.

workspace definition (cont'd)

3. Figure 3 shows how to position the posts on 4 shared surfaces.



IMPORTANT NOTES:

- Do not drill all the pre-drilled holes, drill only where required as per furniture layout configuration.
- Check the layout for post positioning.

screen definition

screen definition

END TO END, Figure 1

- 1. Post
- 2. Privacy Screens
- 3. Worksurface

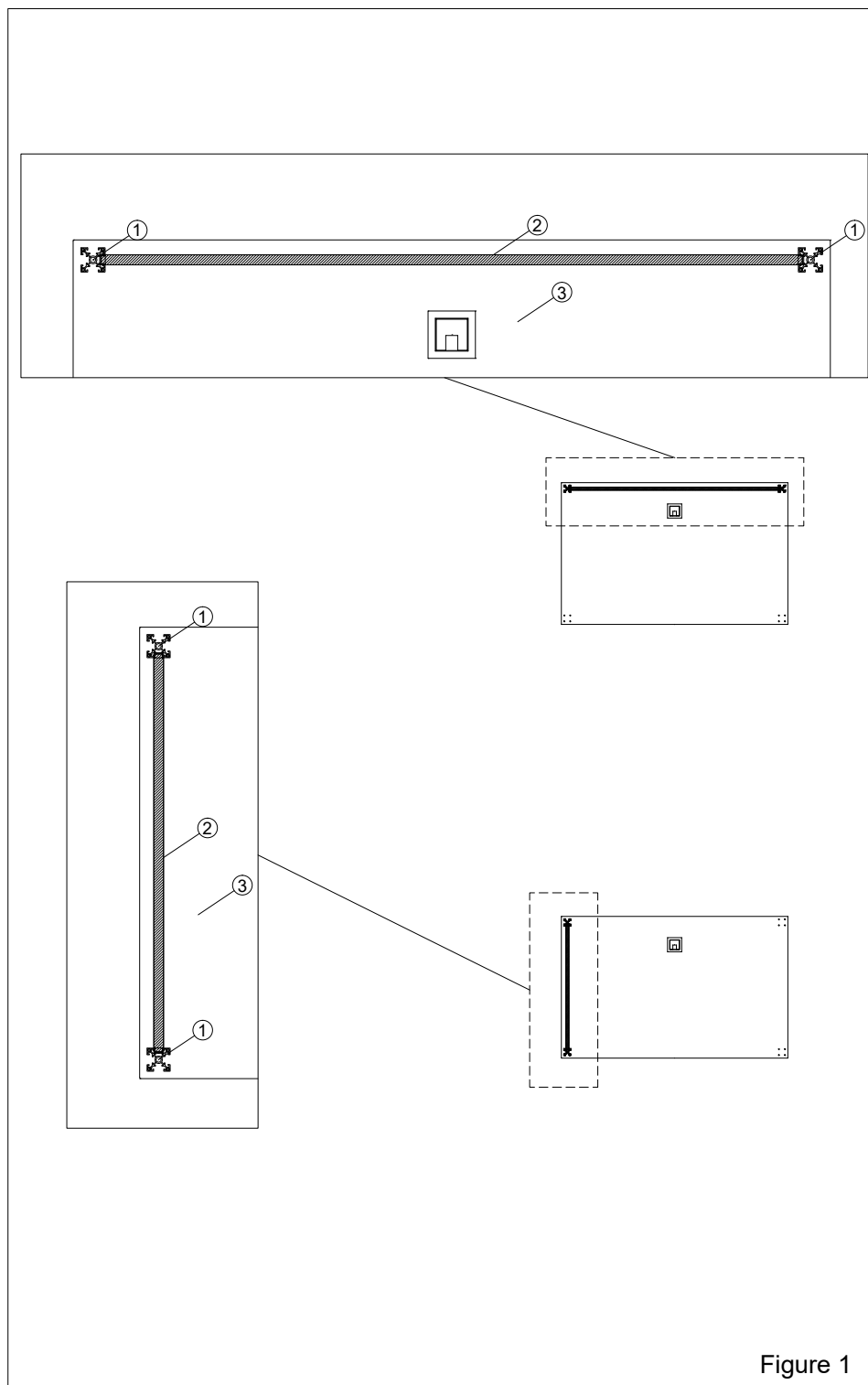


Figure 1

screen definition (cont'd)

END TO SHARED, Figure 2

- 1. Post
- 2. Privacy Screens
- 3. Worksurface

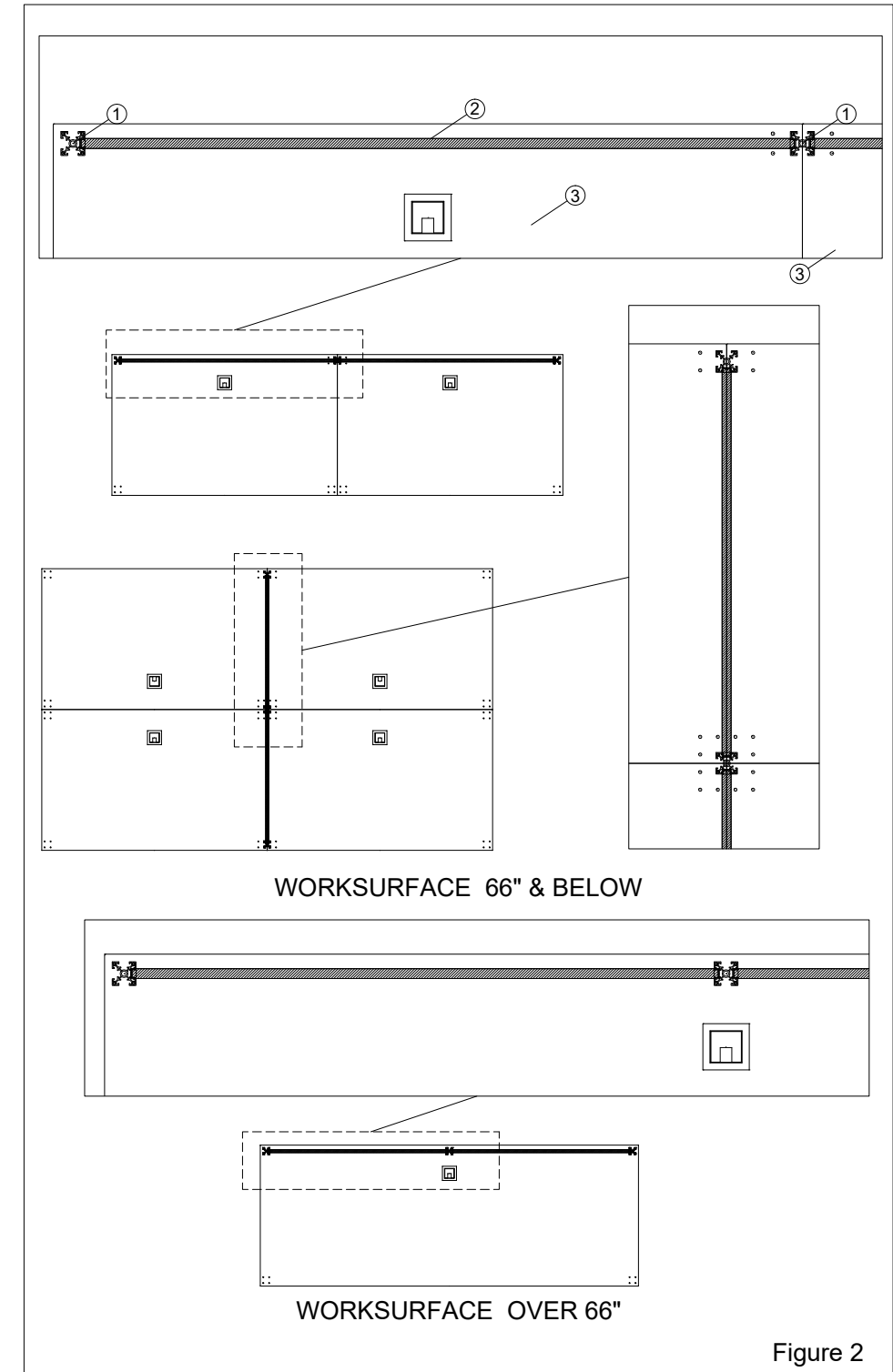


Figure 2

screen definition (cont'd)

GLAZED SCREEN

- 1. Screen extrusion
- 2. Acrylic glazing
- 3. Screen gasket
- 4. Post cap
- 5. Post

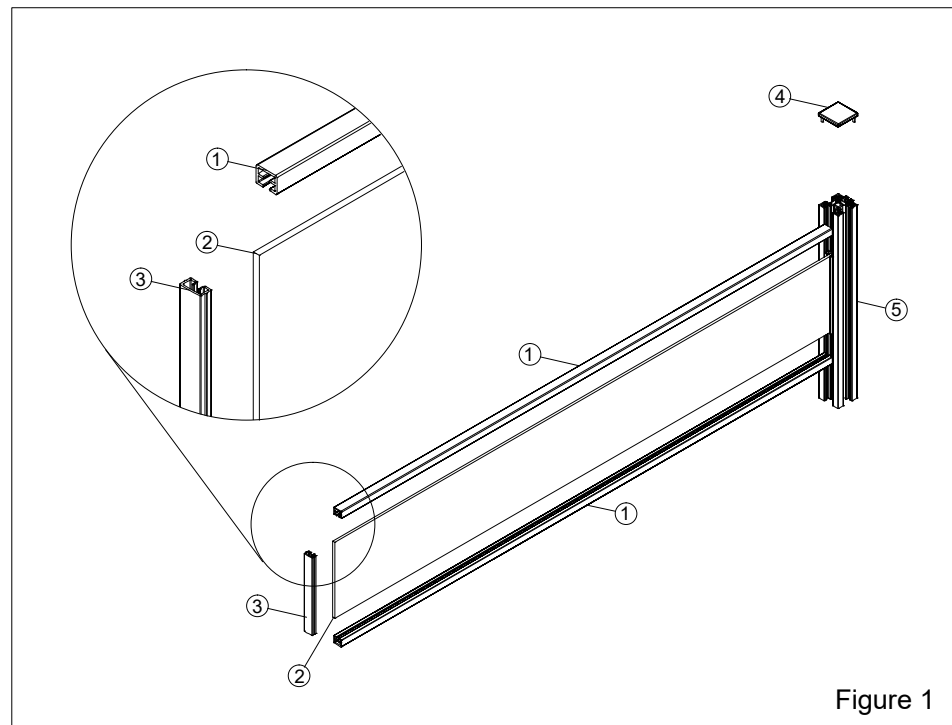


Figure 1

TACKBOARD/FELT/WHITEBOARD/ MELAMINE SCREEN

- 1. Screen extrusion
- 2. Tackboard/Felt/Whiteboard/
Melamine screen
- 3. Screen gasket
- 4. Post cap
- 5. Post

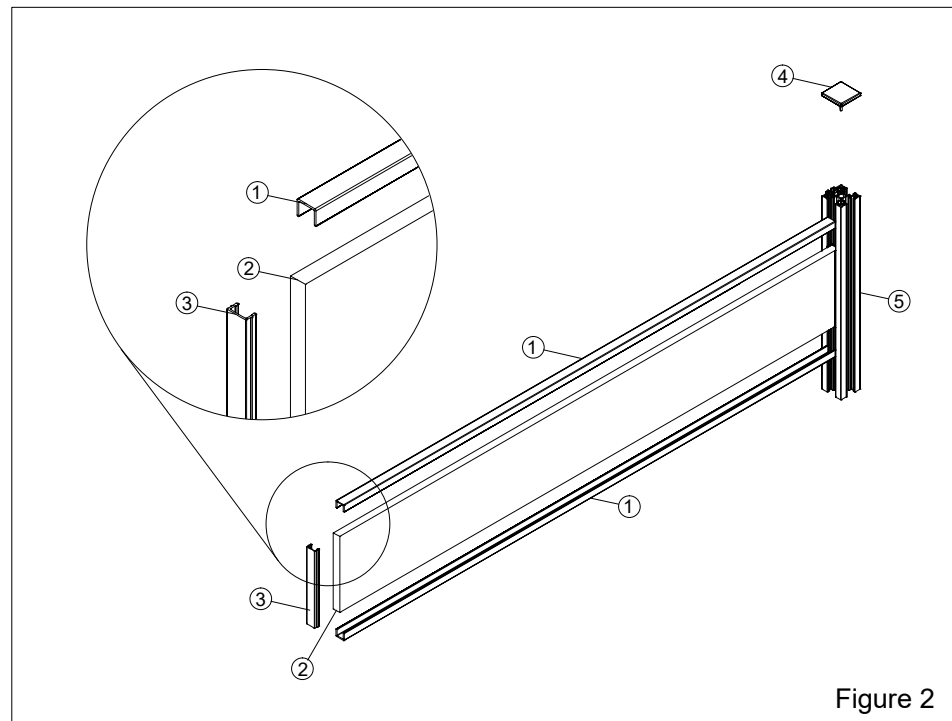


Figure 2

screen definition

ACCESSORY SCREEN

- 1. Accessory screen
- 2. Post
- 3. Post cap

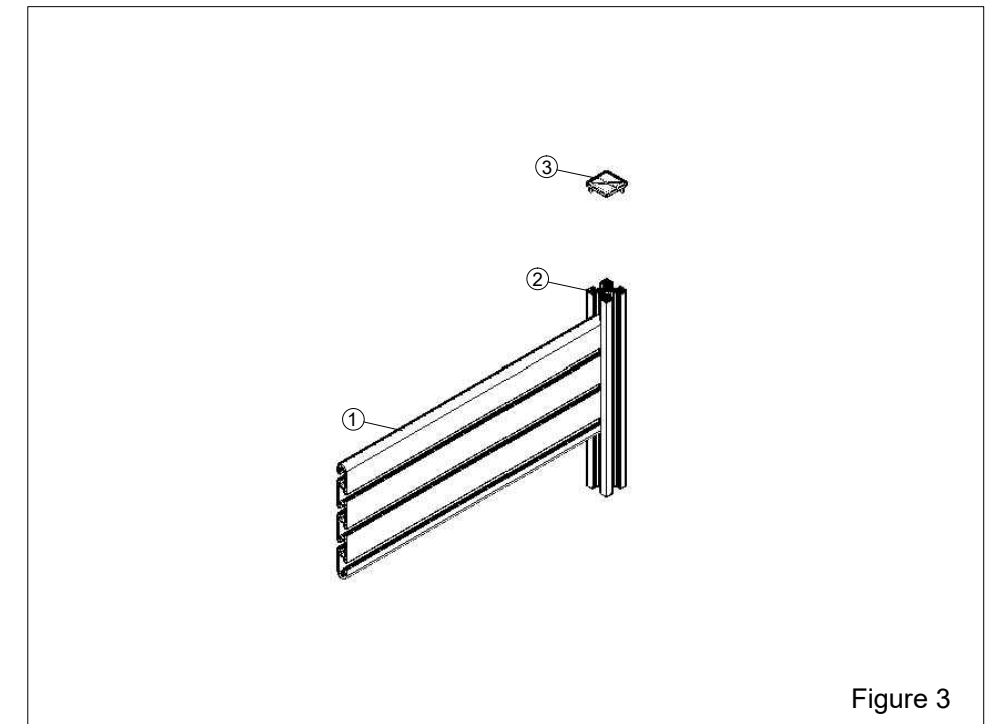


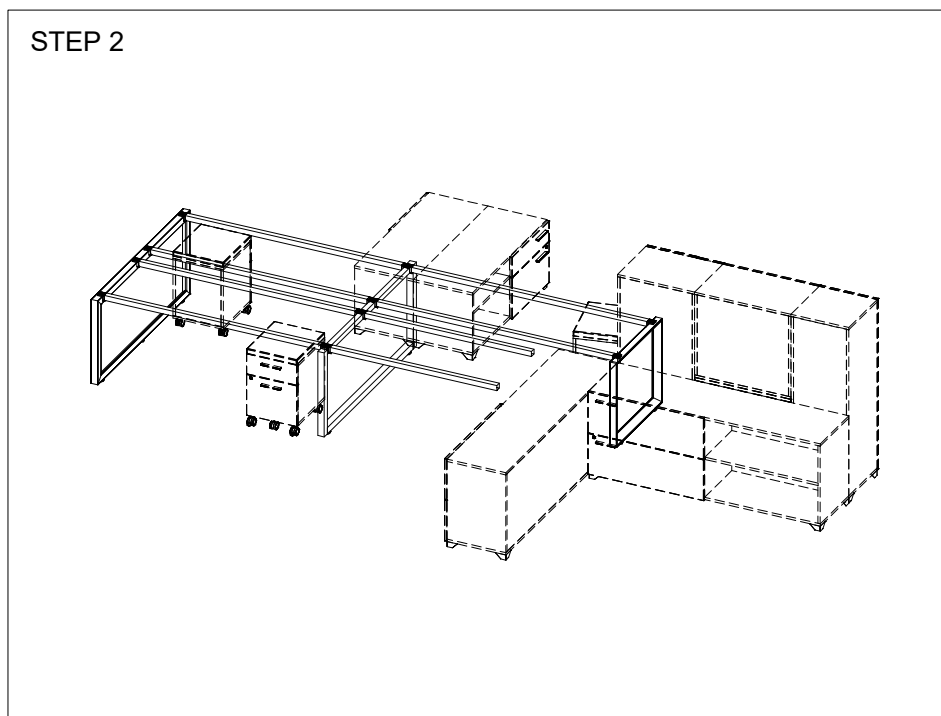
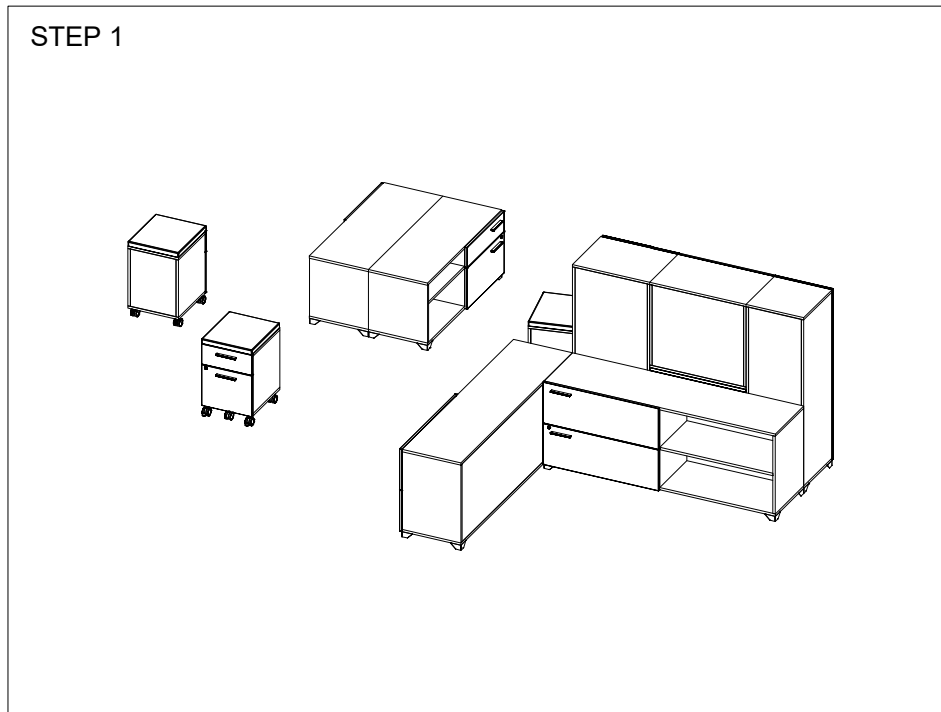
Figure 3

installation sequence

installation sequence

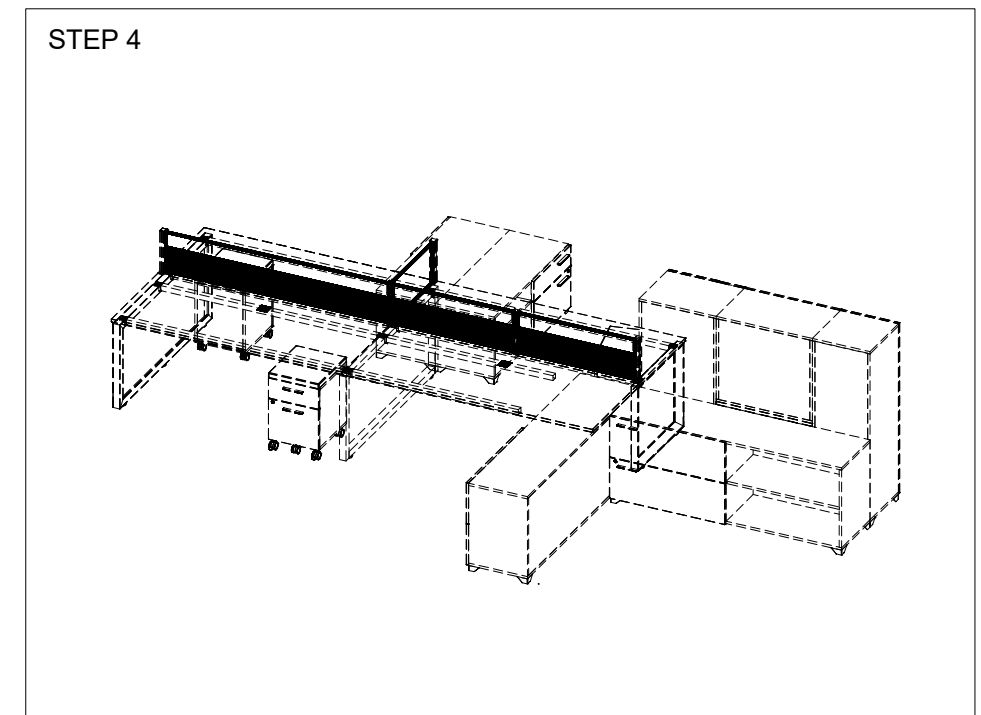
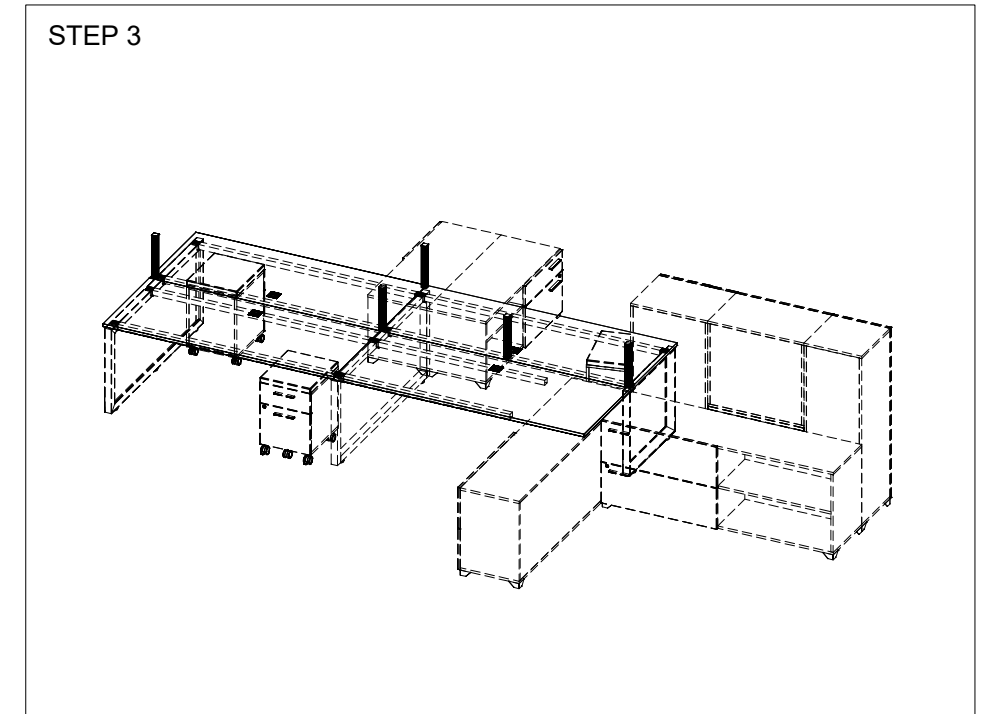
The following application guidelines provide detailed instructions for planning with the Elevation product line.

1. Position all the storages (Towers, cabinets, lateral files and cabinets).
2. Assemble all worksurface supports (gables and reinforcement bars).



installation sequence (cont'd)

3. Install the posts to the surfaces. Position all worksurfaces. Mount them to the worksurface supports or credenza.
4. Install the screens.



screen post to surface

screen post to surface

1. To install the screen post, place worksurface face down on a solid surface or floor. Place a wooden block underneath the pre-drilled holes and level the worksurface. Drill through the pre-drilled holes with a 5 mm V-point drill bit, (Figure 1).
2. Flip the worksurface and place it on top of the assembled worksurface supports or elevated surfaces with the topside facing up. Place screen post in position shown in (Figure 2). Use four screws (4) to attach the screen post to the surface.

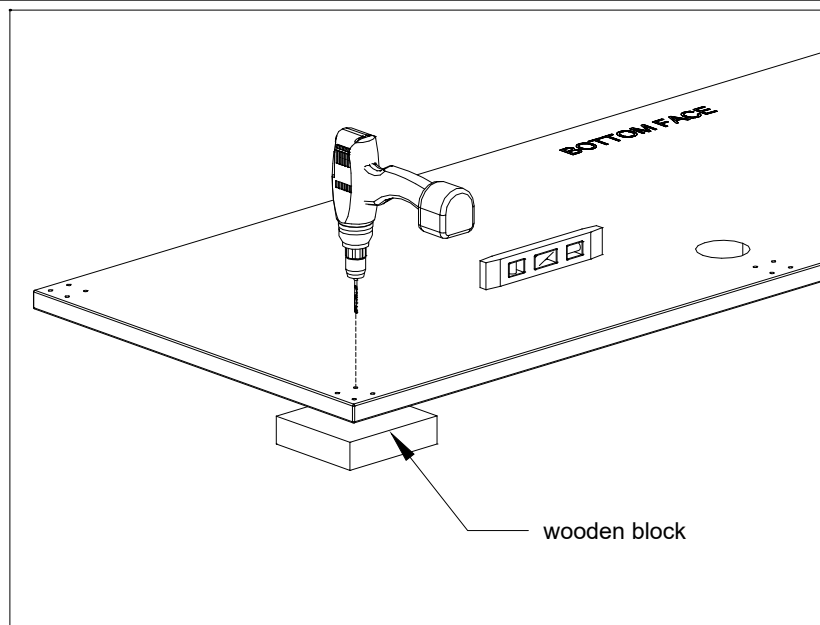


FIGURE 1

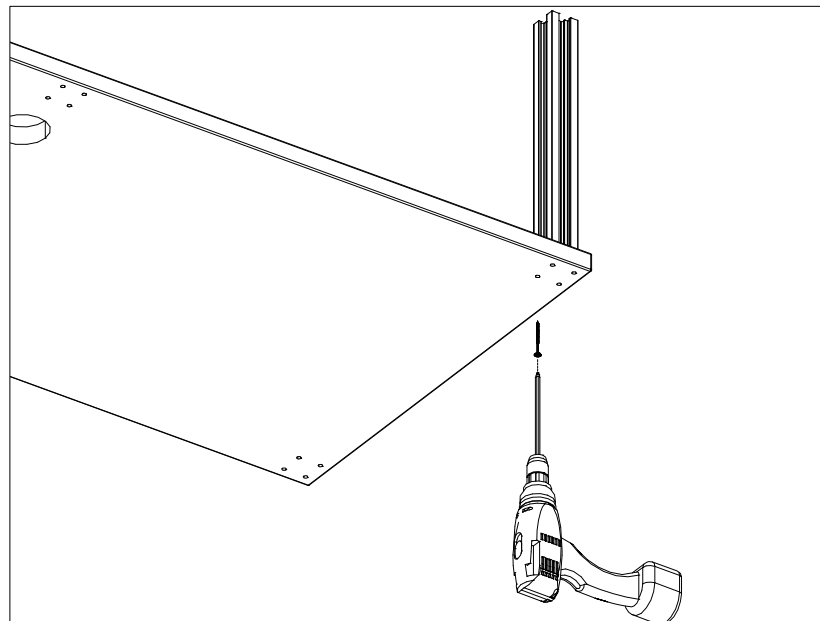
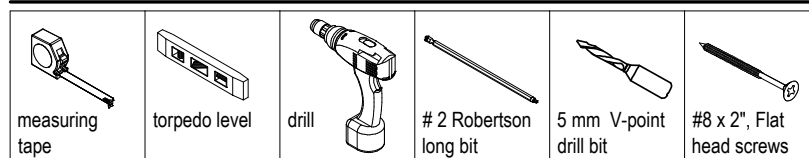


FIGURE 2

IMPORTANT NOTES:

- Do not drill all the pre-drilled holes, drill only where required as per furniture layout configuration.
- Check the layout for post positioning.

tools & hardware needed



screens to screen post

screens to screen post

1. Make sure the posts are not tightly secured to the worksurface, (Figure 1).
2. Slide the bottom screen extrusion down the screen post, (Figure 2). For felt screen installation, see "felt screen to screen post".

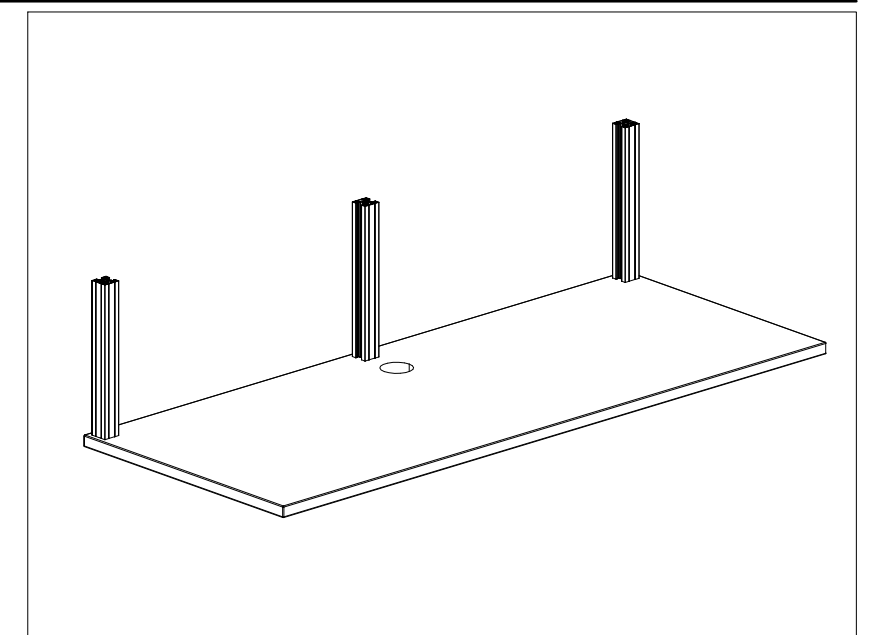


FIGURE 1

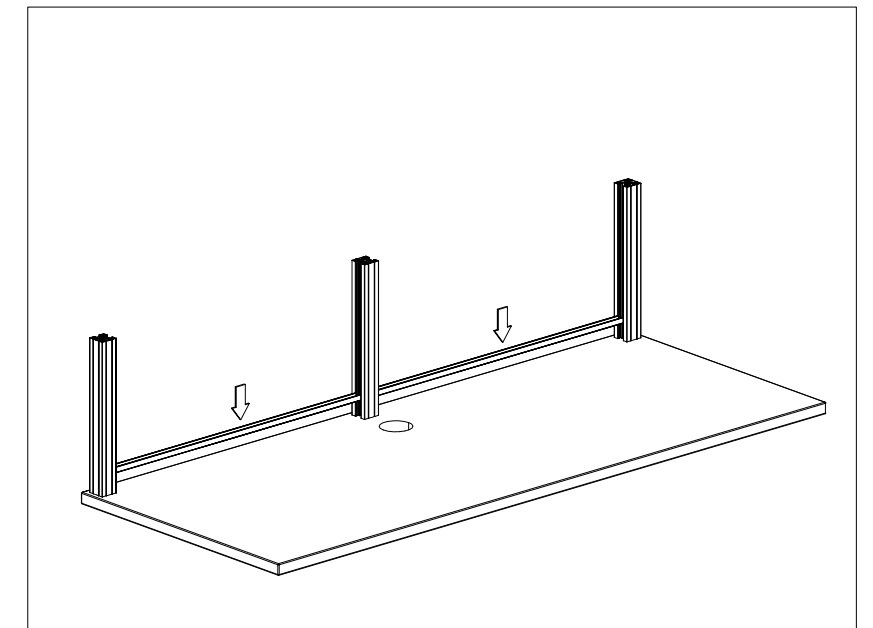
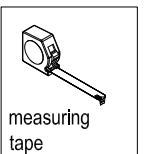


FIGURE 2

tools & hardware needed



measuring tape

screens to screen post (cont'd)

3. Insert the appropriate screen gasket into the screen post grooves, (Figure 3). Slide the gasket down the screen post until it bottoms out.
4. Slide the screen into the gaskets within the posts, (Figure 4).

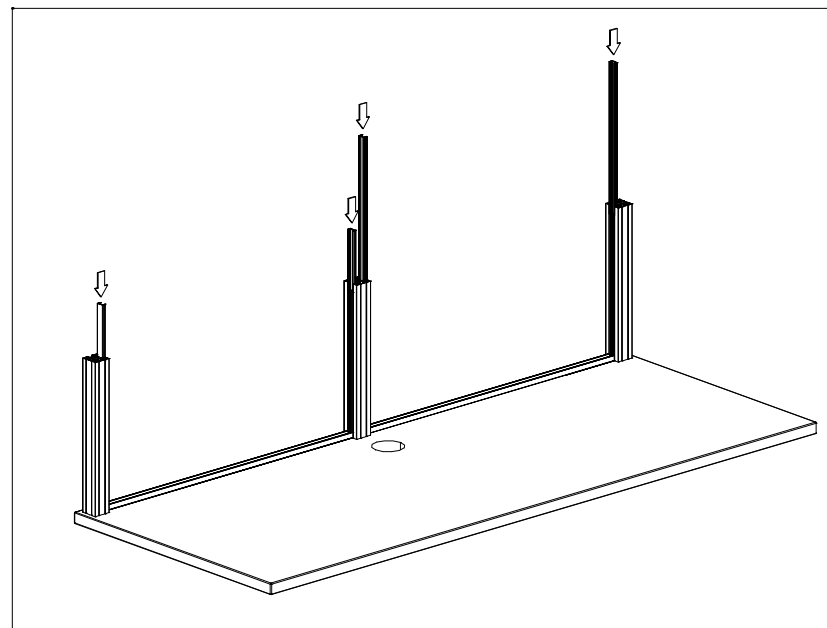


FIGURE 3

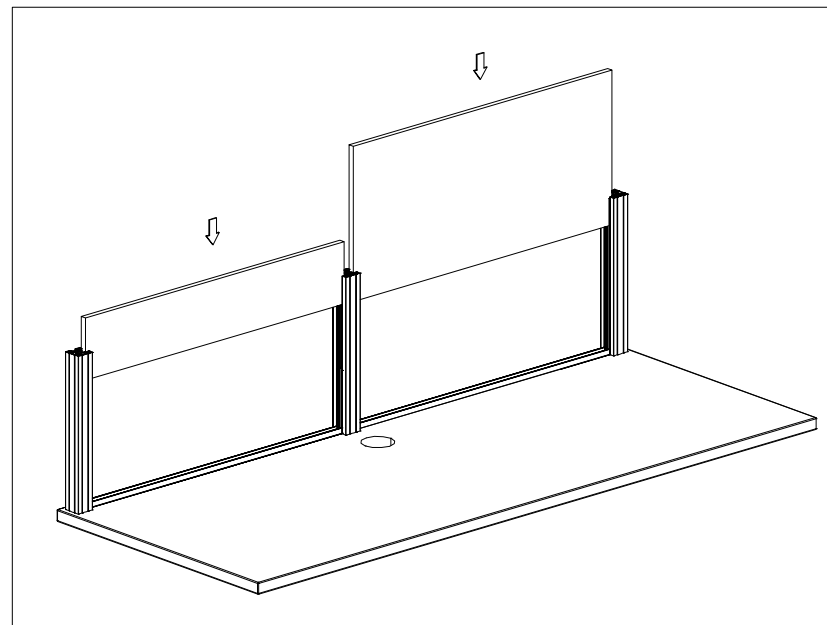
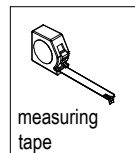


FIGURE 4

tools & hardware needed



screens to screen post (cont'd)

5. Place the top screen extrusion on top of the screen.
6. Repeat steps 3 to 5 until all screens are in position except accessory screen shown in (Figure 5).

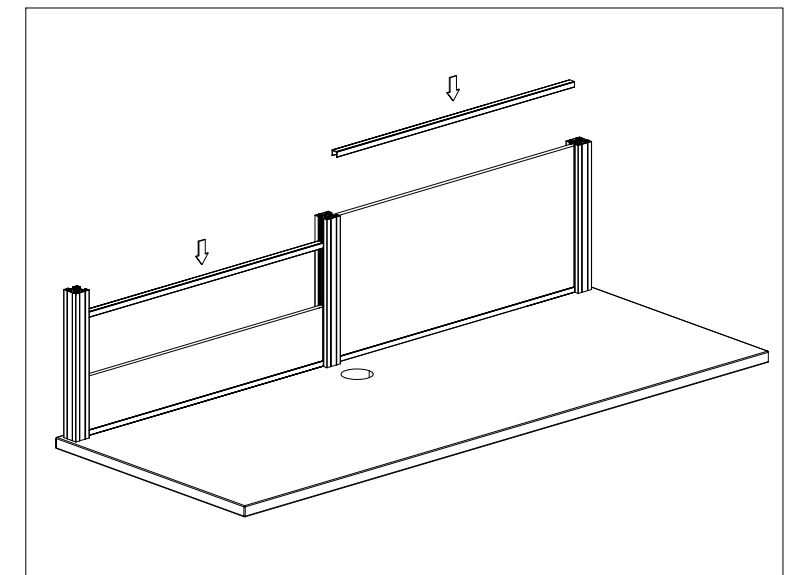


FIGURE 5

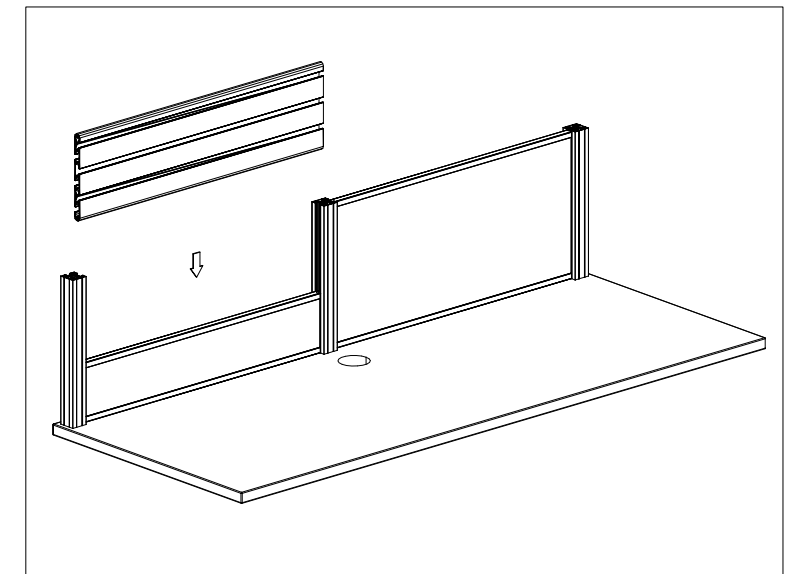
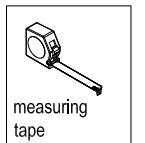


FIGURE 6

tools & hardware needed



scene 18

SEPTEMBER 2015

screens to screen post (cont'd)

- Place the post top cap shown in (Figure 7).

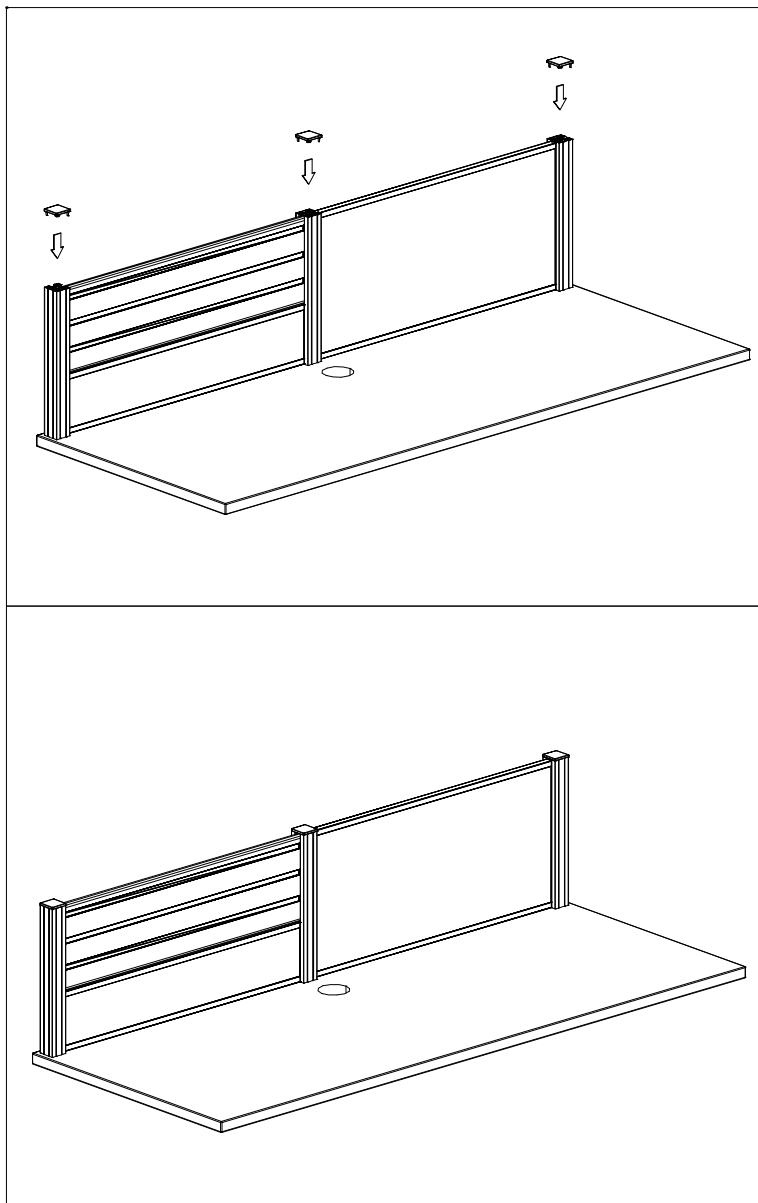
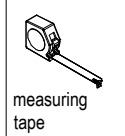


FIGURE 7

tools & hardware needed



end reinforcement bars to open center gable

- Slide the bottom extrusion sideways, (Figure 1).
- Slide the appropriate screen gasket down the felt screen, (Figure 2).

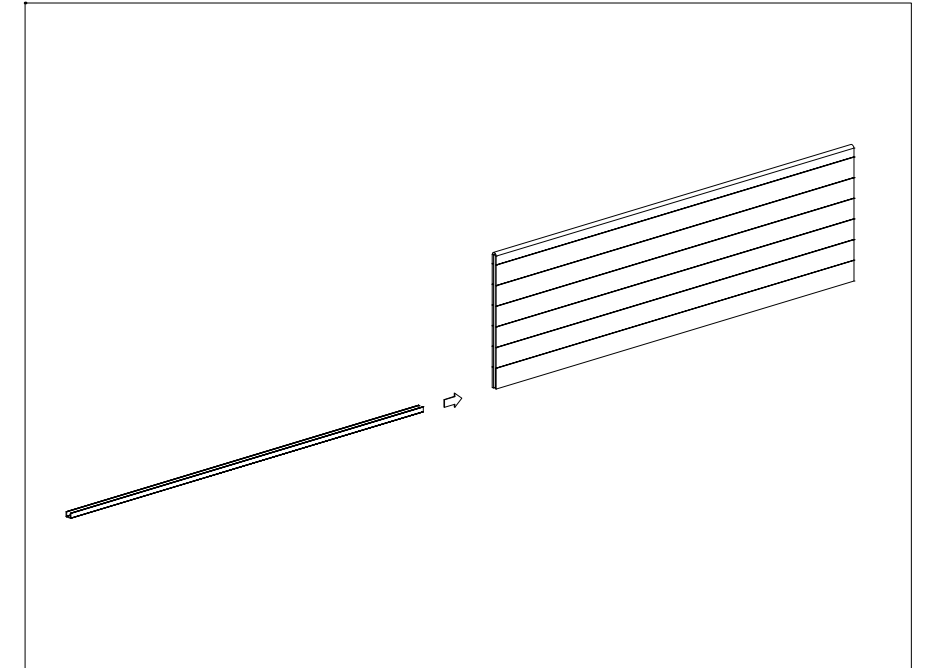


FIGURE 1

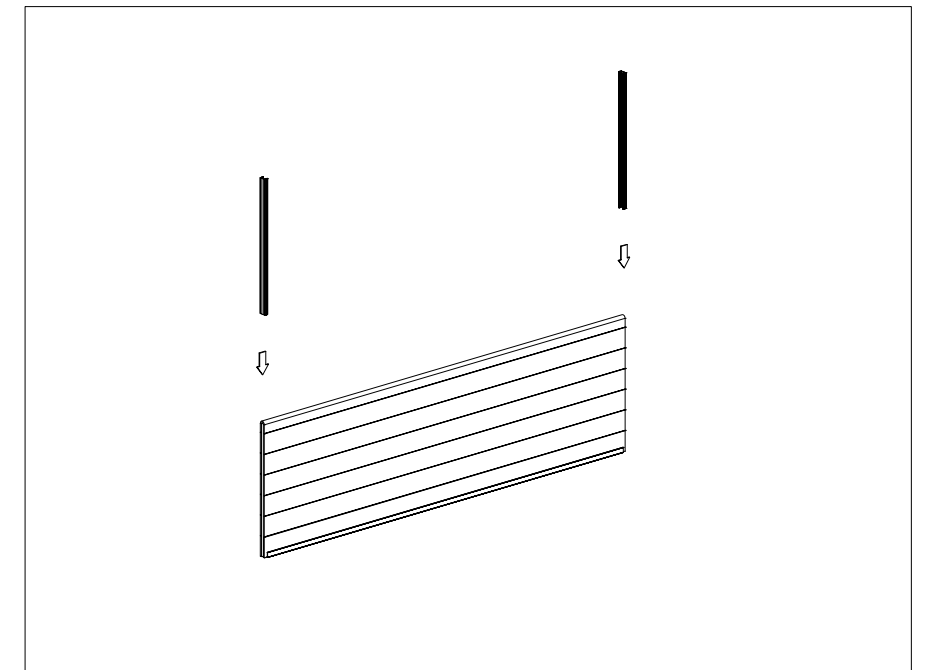
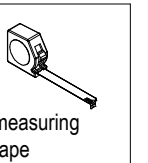


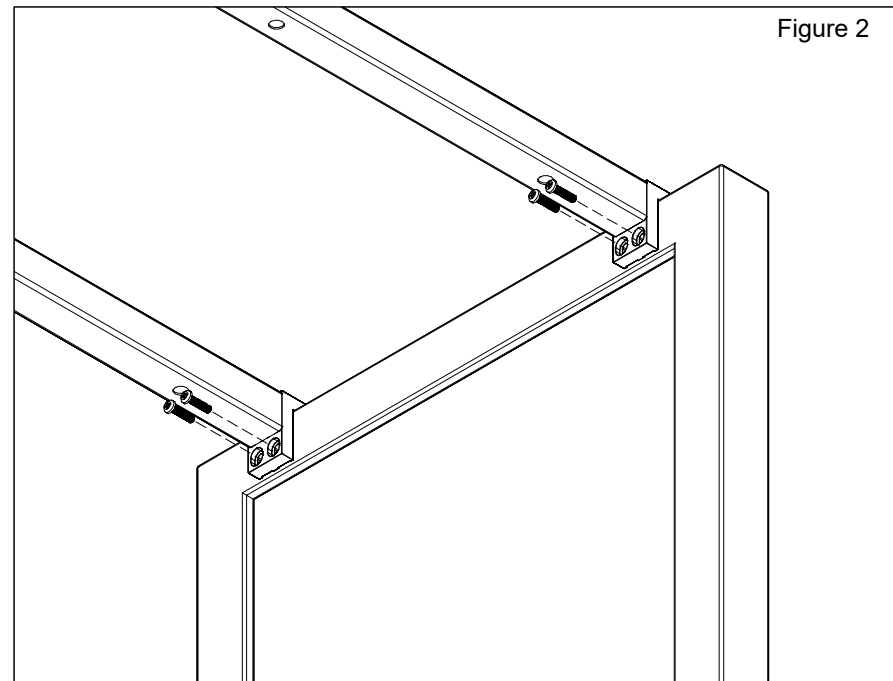
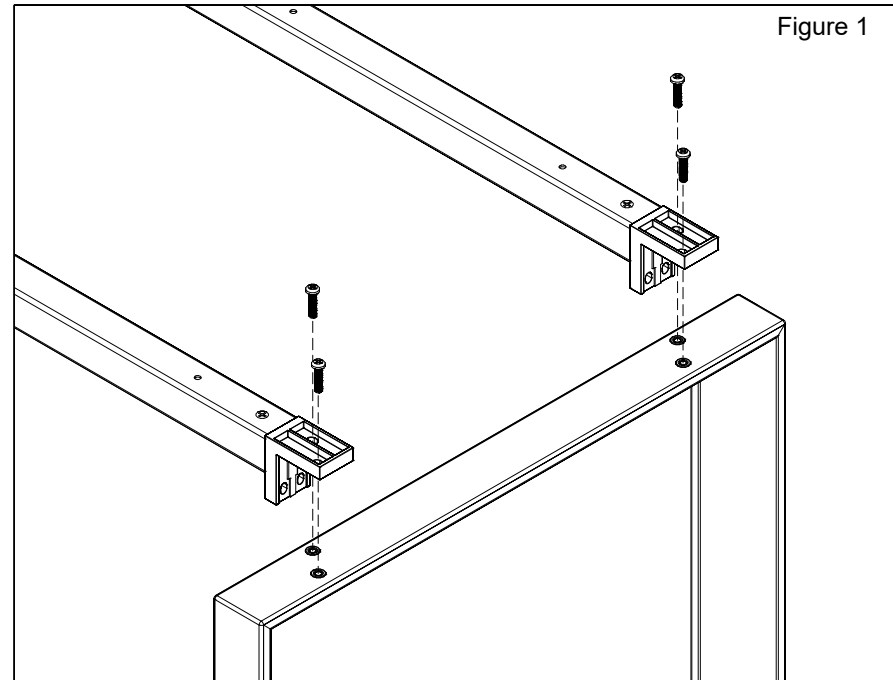
FIGURE 2

tools & hardware needed

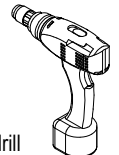




shared reinforcement bars to open center gable

1. Ensure that the connector at the ends of the reinforcement beam is firmly attached; tighten the screws as necessary.
2. Attach the end connector to the end gable with 1/4 #20 1-inch quadrex pan head screws above, (Figure 1) and at the bottom, (Figure 2).
3. Proceed to attach the other end of the reinforcement bar to the required gable.

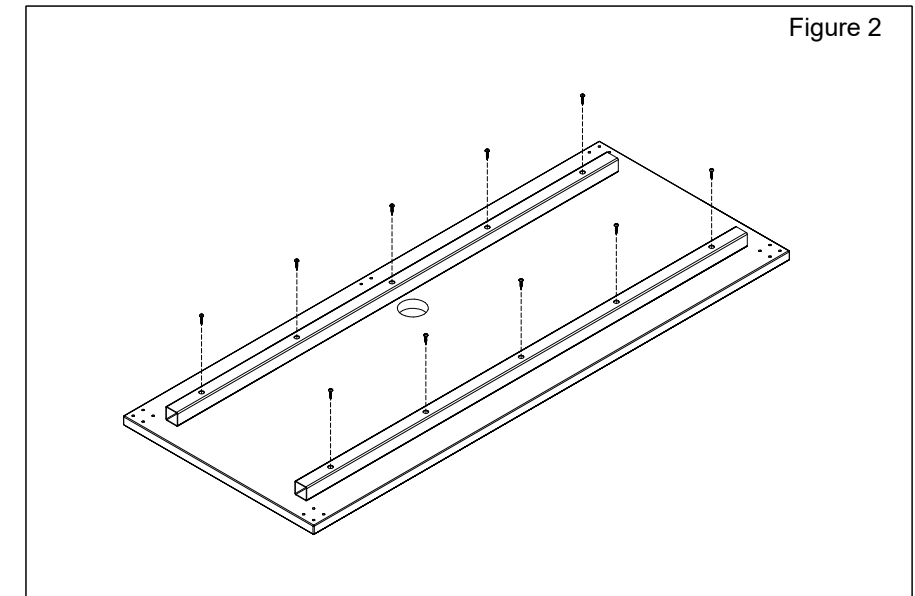
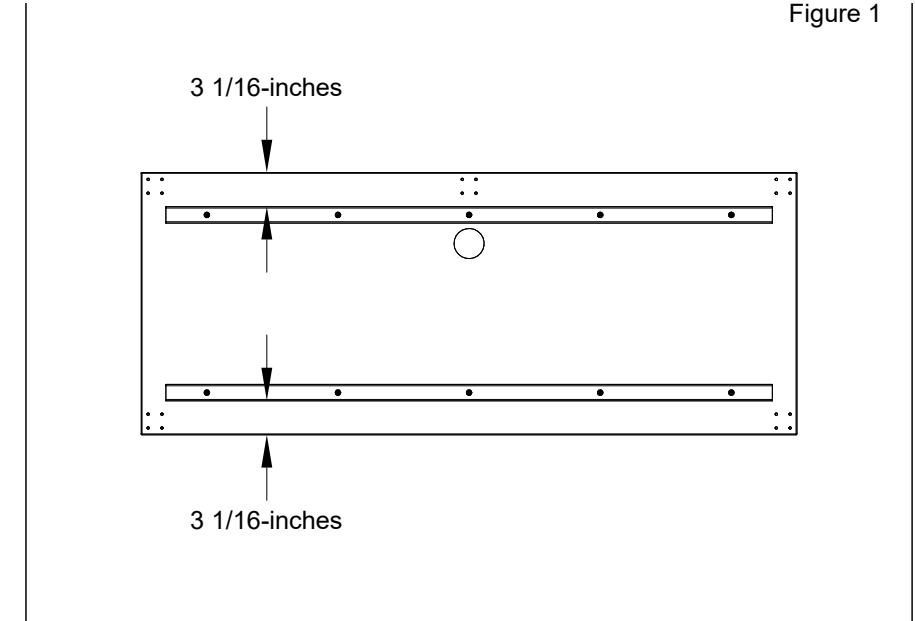


tools & hardware needed

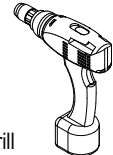
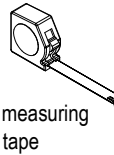
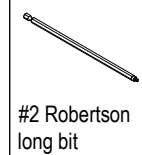
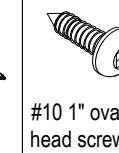
| | | |
|---|--|---|
|  drill |  #2 robertson long bit |  1/4 #20; 1" quadrex pan head screw |
|---|--|---|

no connector reinforcement bars to worksurface

1. Position the no connector reinforcement bars 3-1/16 inches from the edge of the worksurface, (Figure 1).
2. Attach the no connector reinforcement bars to the worksurface with #10; 1-inch oval head screws (Figure 2).

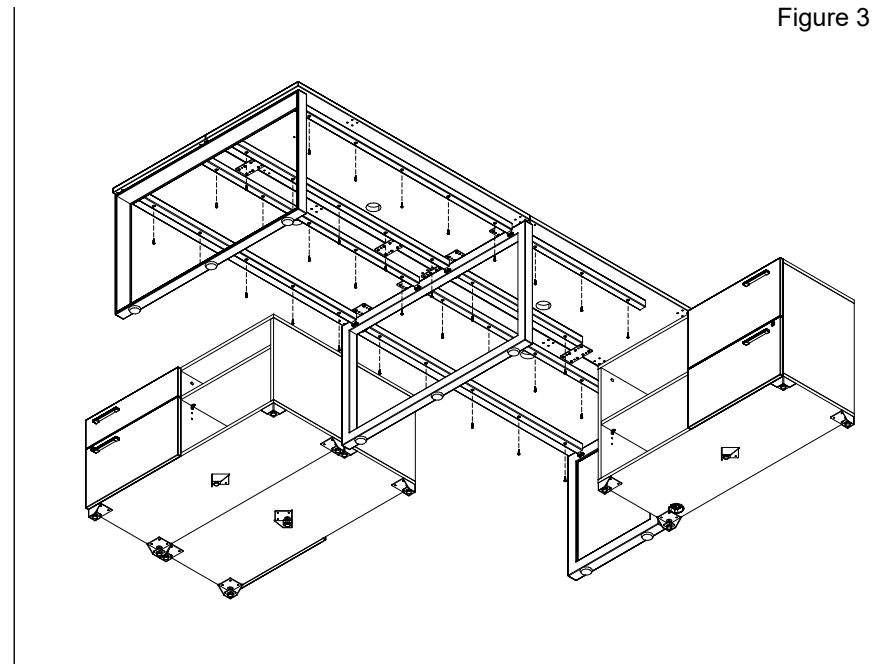


tools & hardware needed

| | | | |
|--|---|--|---|
|  drill |  measuring tape |  #2 Robertson long bit |  #10 1" oval head screw |
|--|---|--|---|

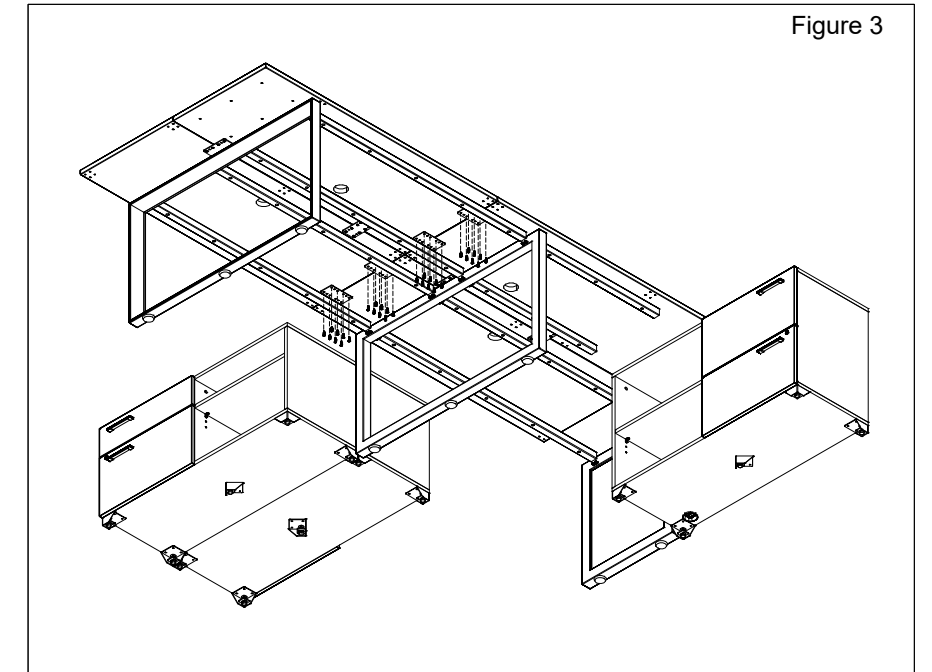
worksurface to worksurface flush plate

1. With the worksurface assembled; secure the worksurface to the reinforcement beams with #10; 1-inch oval head screws, (Figure 1).

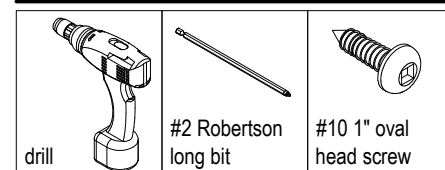


3. Move the worksurface to one side and secure the remaining worksurfaces with flush plates and #10; 1-inch oval head screws, (Figure 3).

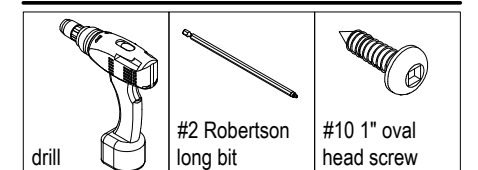
worksurface to worksurface flush plate (cont.)



tools & hardware needed

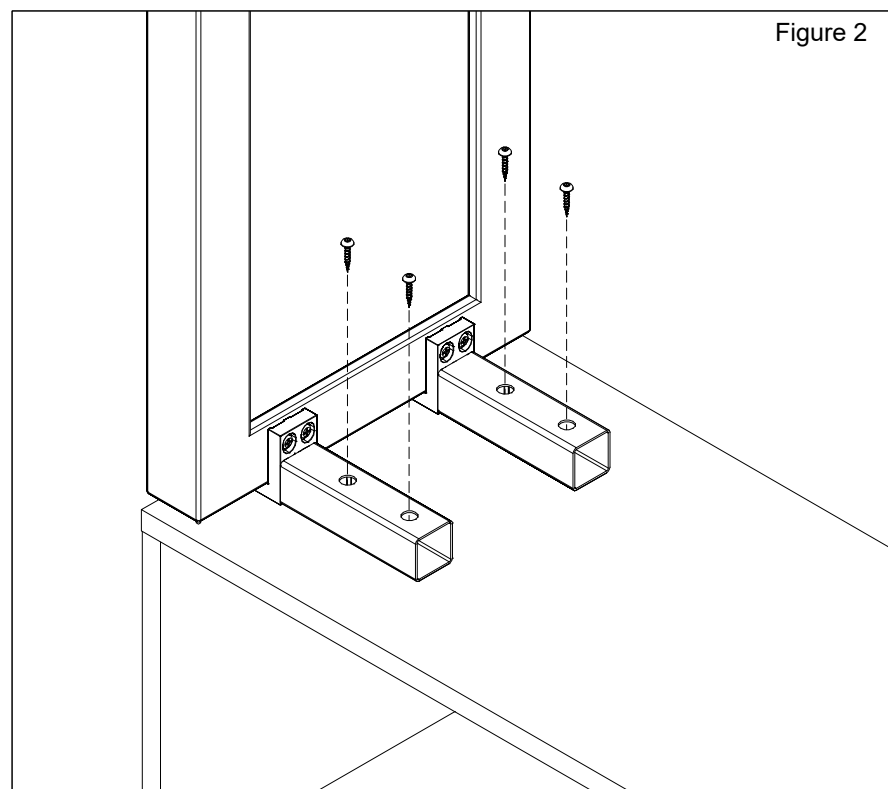
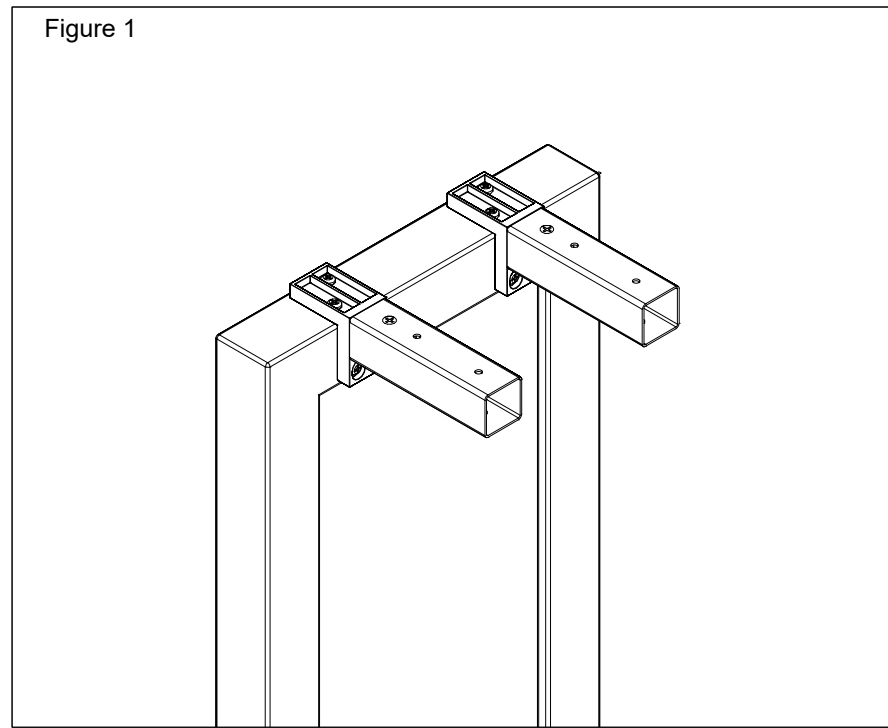


tools & hardware needed



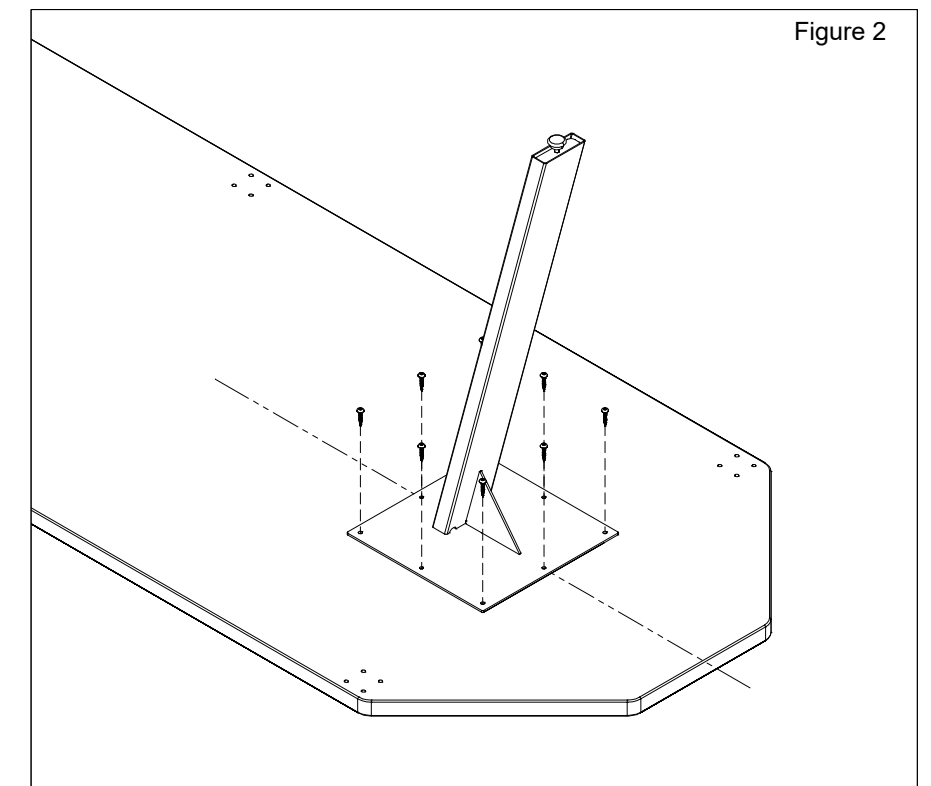
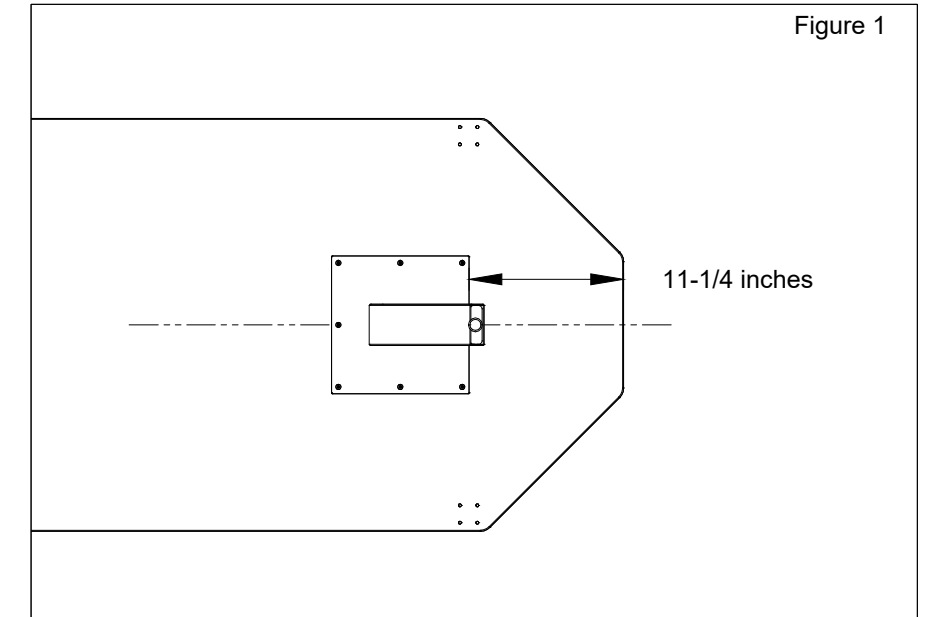
flag storage installation

1. Install the required reinforcement beam to the flag storage support; following the instructions for end reinforcement bars to open end gables, (Figure 1; short beam shown).
2. Attach the the flag storage support with reinforcement to the bottom of the flag storage with 11/16-inch oval head screws, (Figure 2).

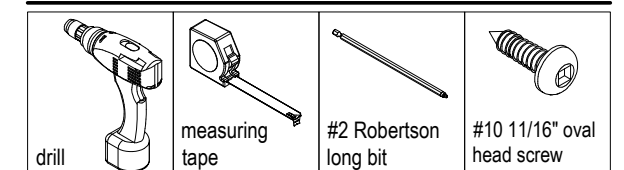


single post support

1. Position the single post support at the center of the surface and measure 11-1/4 inches from the edge of the support plate to the edge of the surface (Figure 1; D-top shown).
2. Secure the single post support with #10; 11/16-inch oval head screws, (Figure 2).

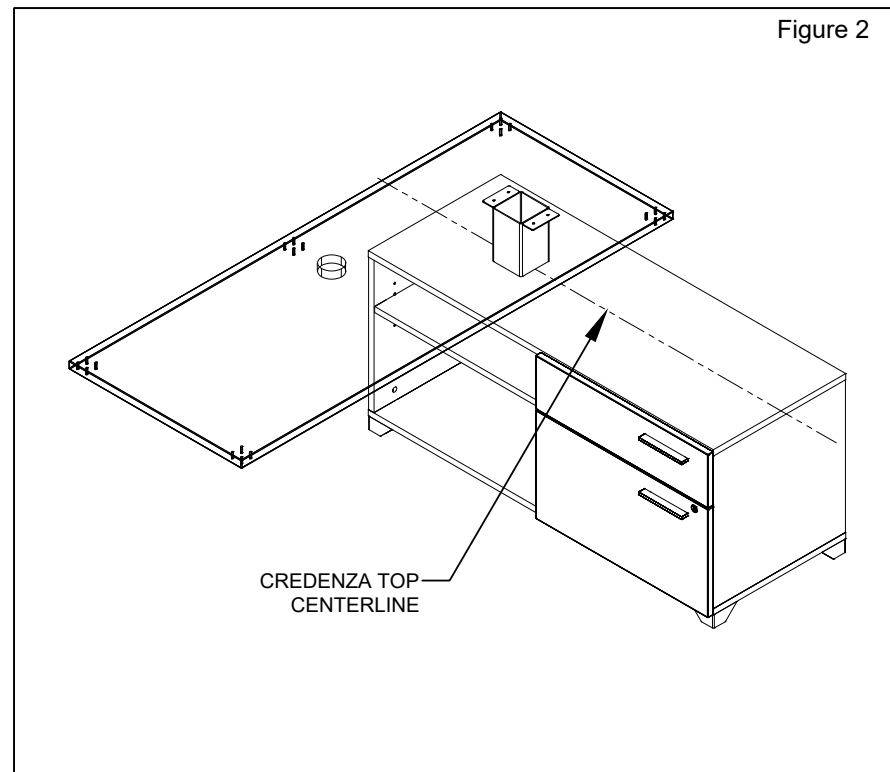
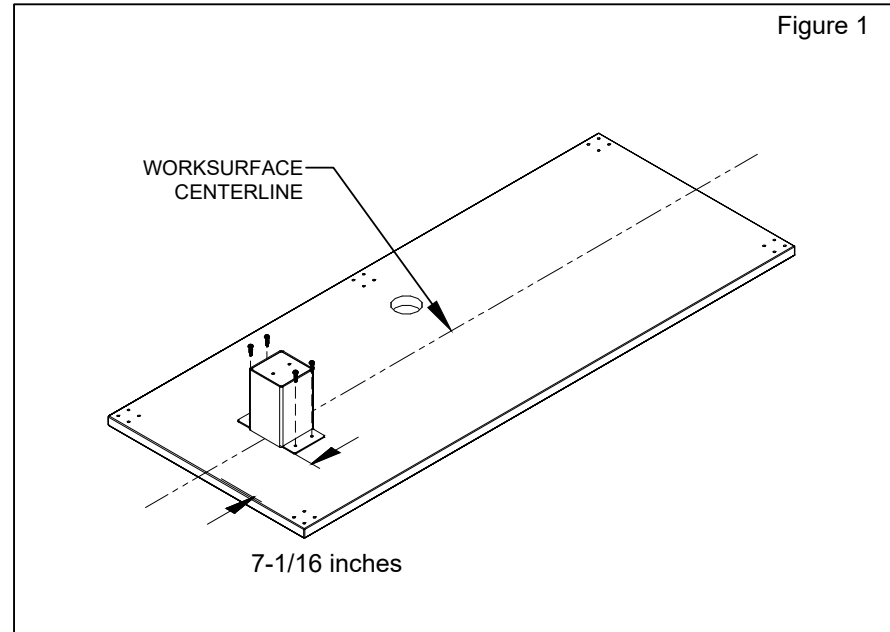


tools & hardware needed

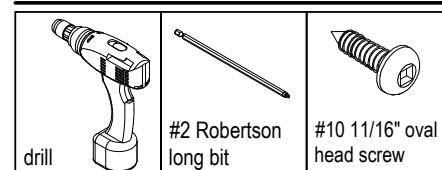


low credenza to worksurface fixed support

1. Along the center of the worksurface, install the low credenza worksurface support 7-1/16 inches from the edge of the worksurface with #10; 11/16-inch oval head screws (Figure 1).
2. Mount the worksurface above the credenza and secure the reinforcement beams to the surface (Figure 2).

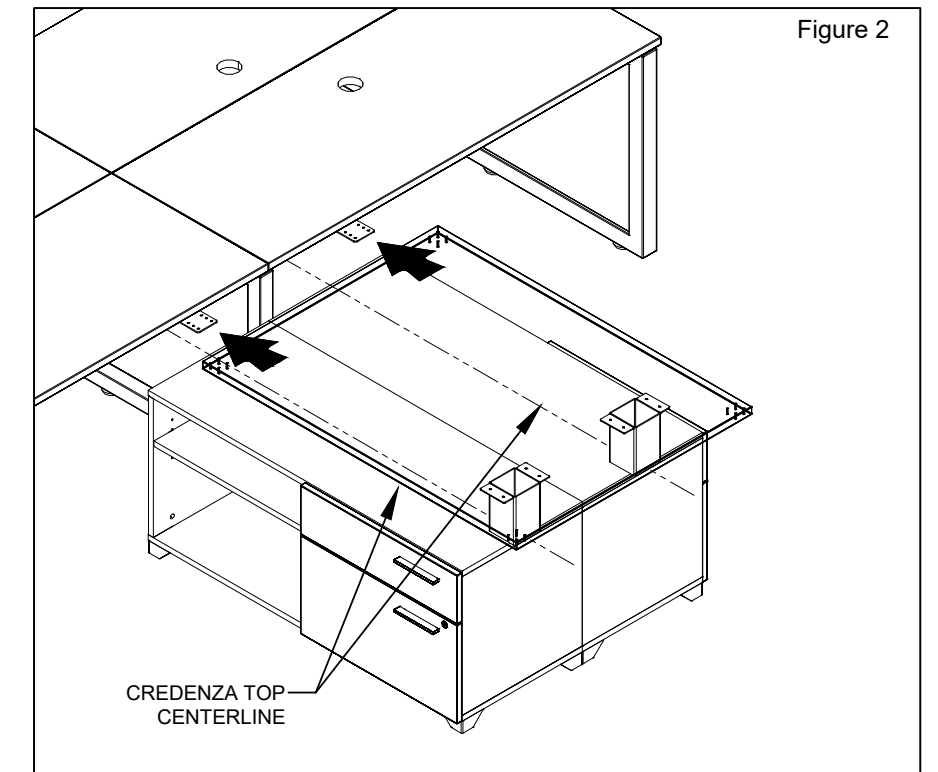
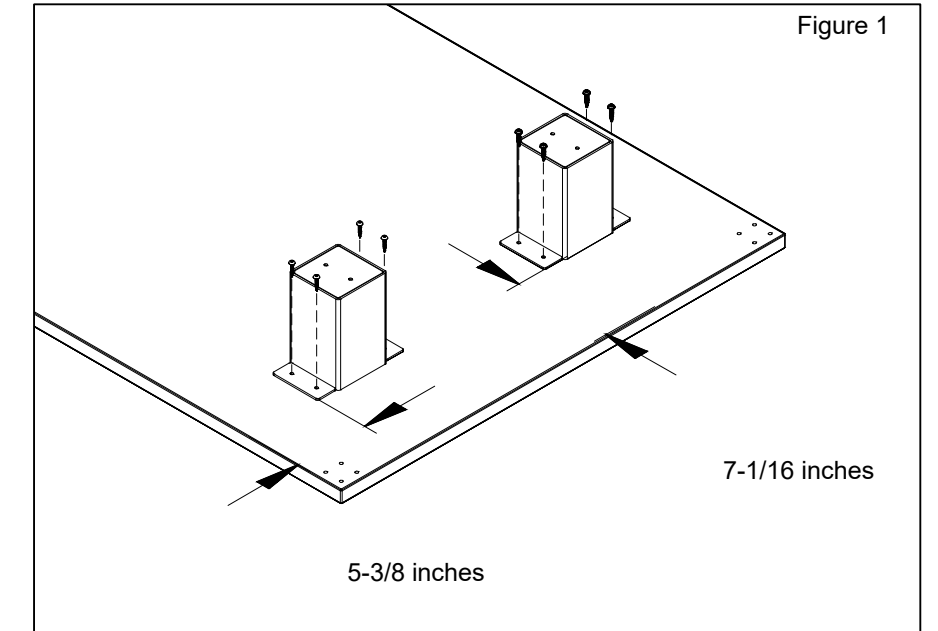


tools & hardware needed

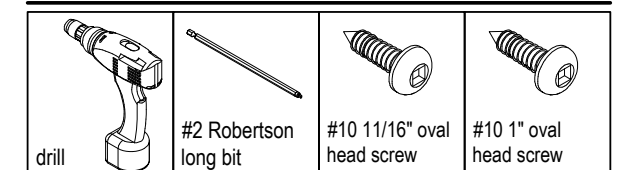


low credenza to wide worksurface fixed support

1. Install two low credenza worksurface supports 5-3/8 and 7-1/16 inches from the edge of the worksurface with #10; 11/16-inch oval head screws (Figure 1).
2. Mount the worksurface above the credenza and secure the flush plates to the surface with #10; 1-inch oval head screws (Figure 2).
3. Align the credenza to the worksurface.

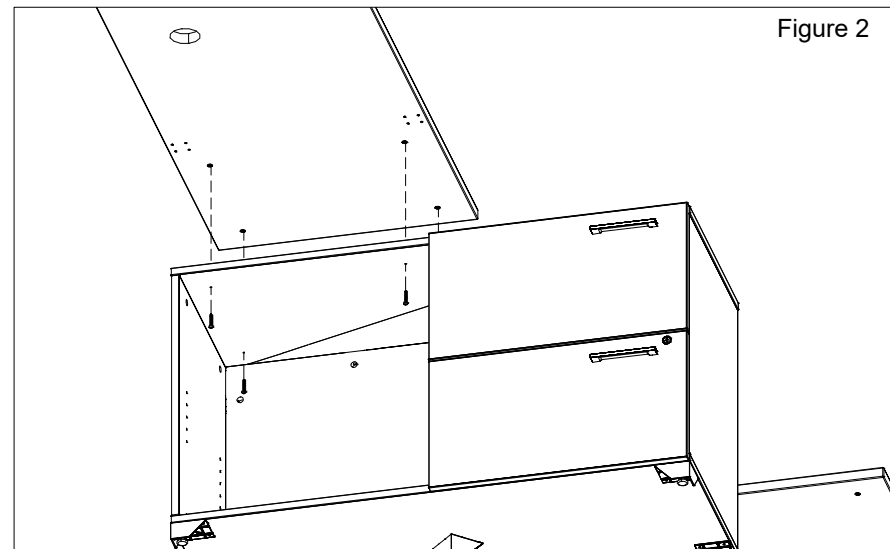
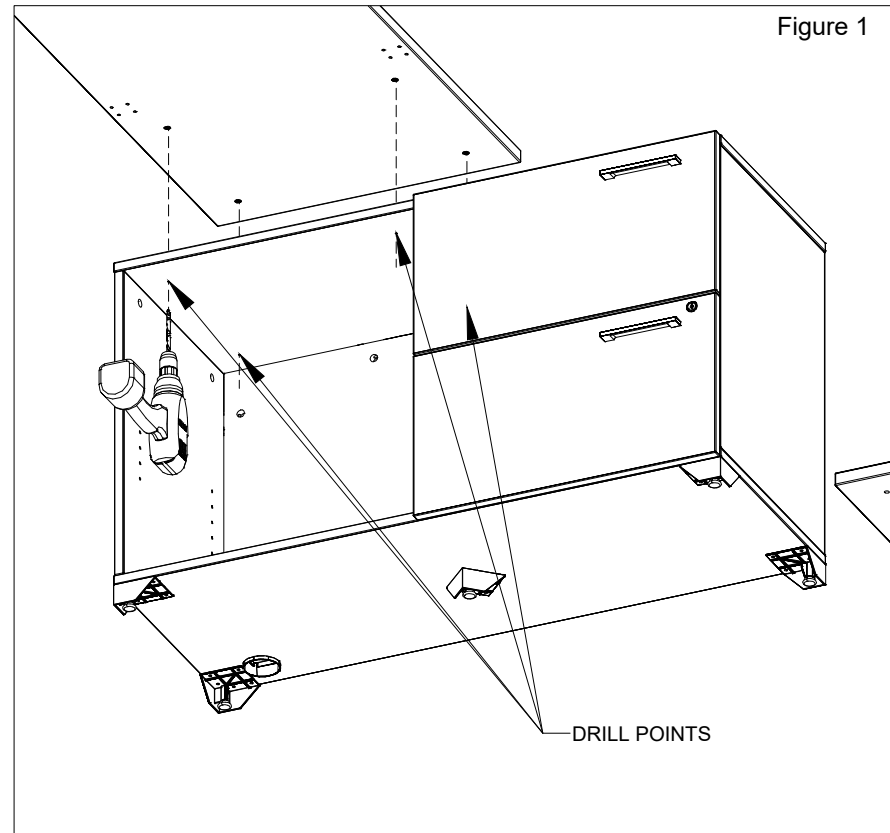


tools & hardware needed

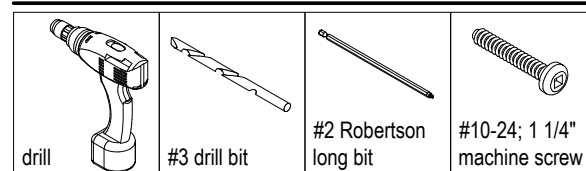


worksurface to high credenza installation

1. From the inside of the credenza, drill through the top following the corresponding drilling points to match the inserts on the required worksurface depth, (Figure 1).
2. Secure the worksurface to the high credenza with #10-24; 1-1/4 inch machine screws, (Figure 2).

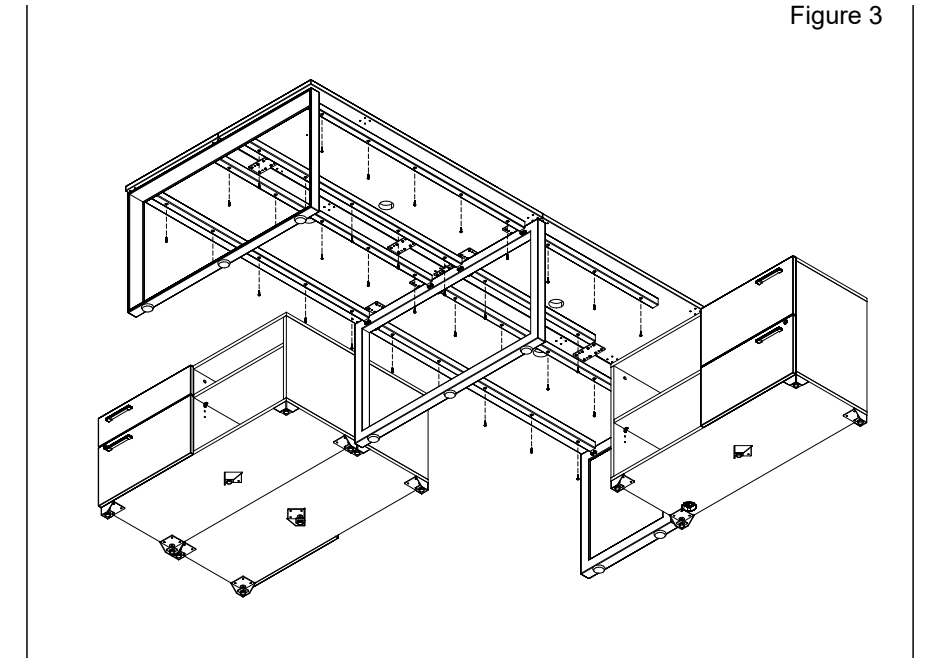


tools & hardware needed

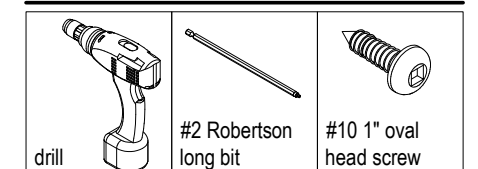


reinforcement beams to worksurface

1. With the worksurface assembled; secure the worksurface to the reinforcement beams with #10; 1-inch oval head screws, (Figure 1).



tools & hardware needed



front inset spacer to high credenza installation

1. Remove the drawers from the credenza by disengaging the safety lock on the sides of the drawer, (Figure 1).
2. From the inside of the credenza, drill through the top following the corresponding drilling points to match the required worksurface spacer, (Figure 2).

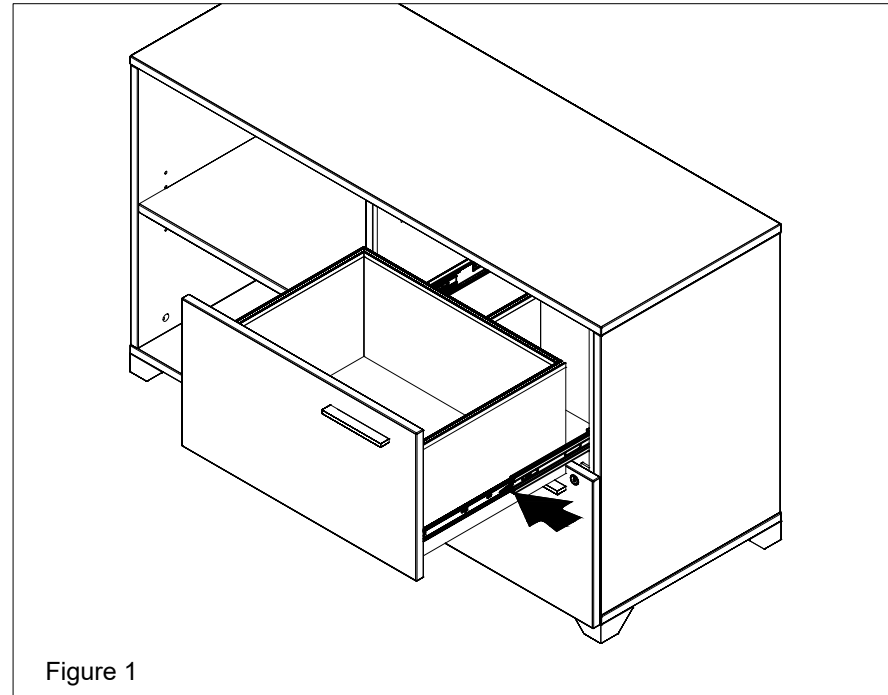


Figure 1

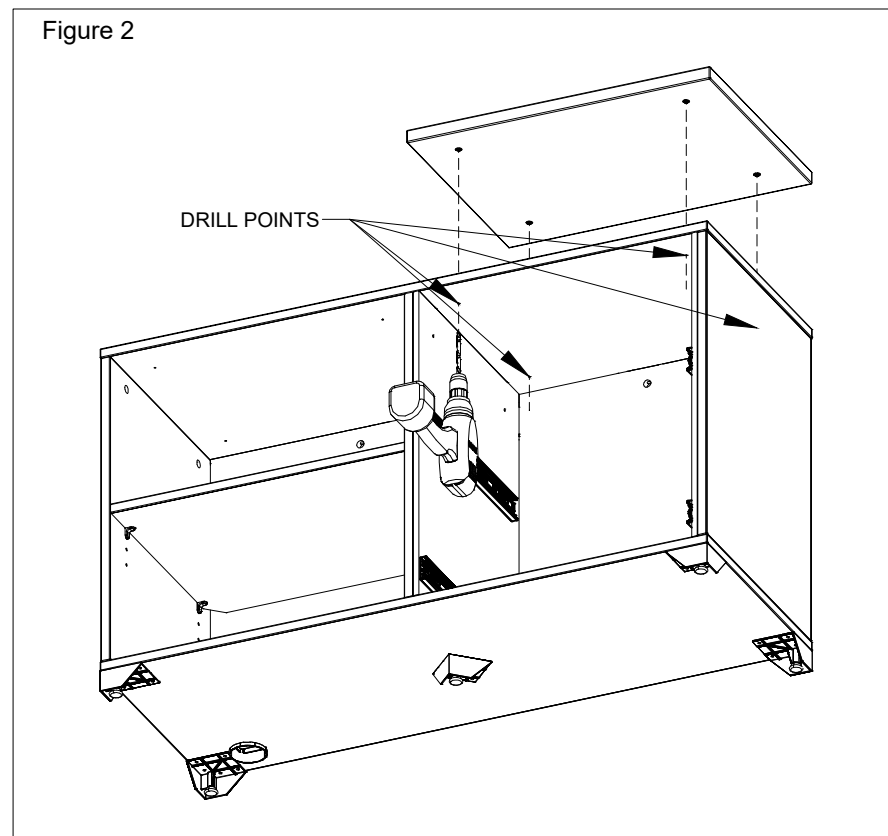


Figure 2

front inset spacer to high credenza installation (cont'd)

3. Figure 3 shows the bottom of the spacer with the inserts spaced 3 inches at the back and 2-1/2 inches in front.
4. Secure the inset spacer to the credenza with #10-24; 1-1/4 inch machine screws, (Figure 4).

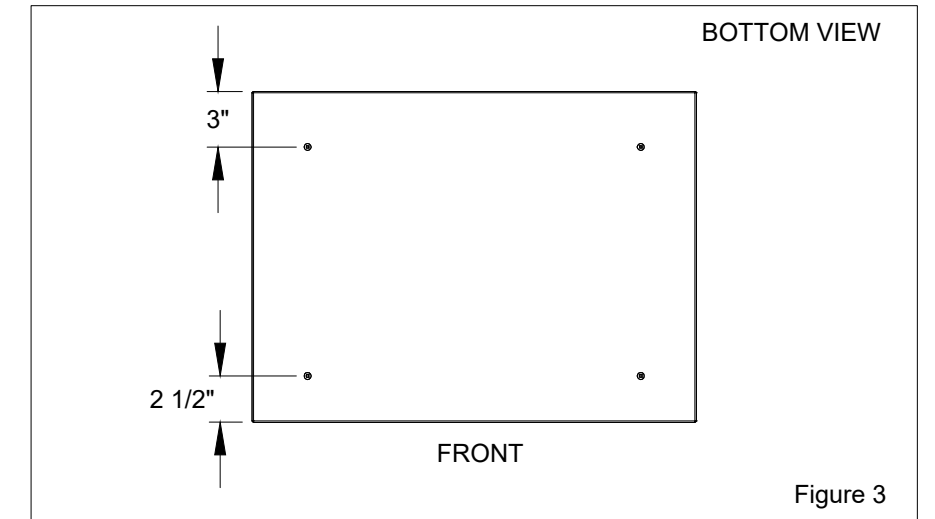


Figure 3

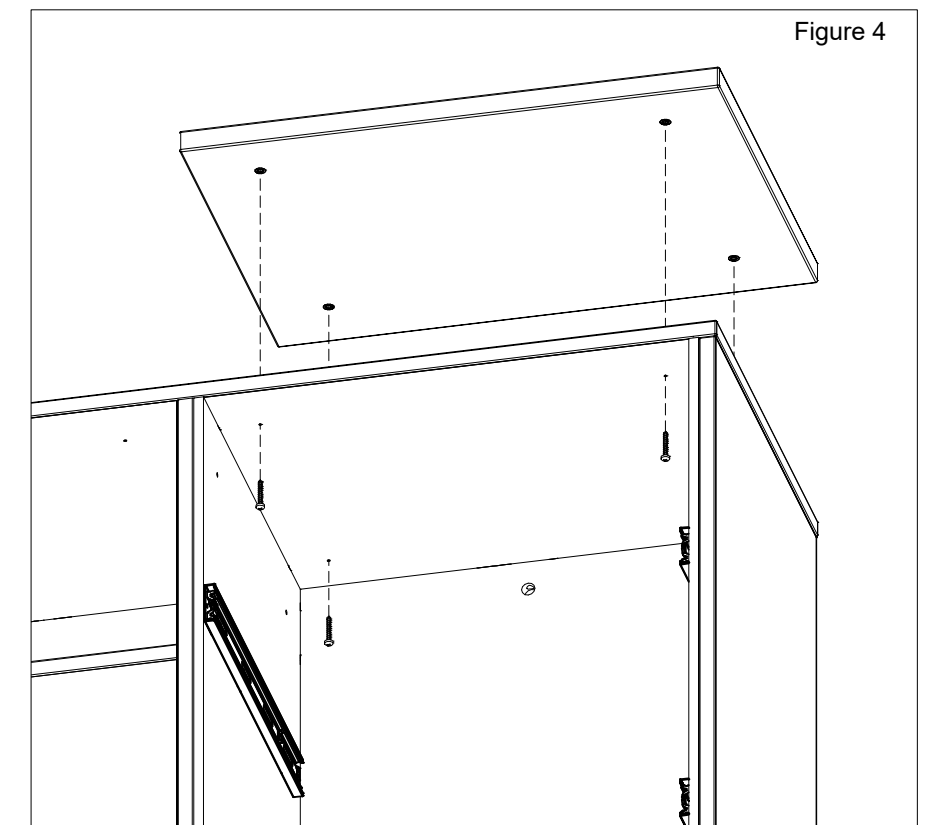
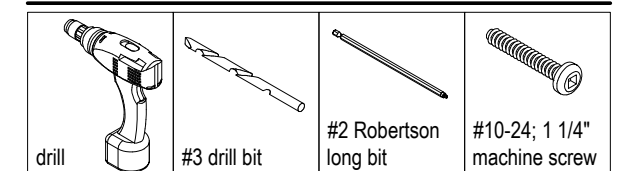


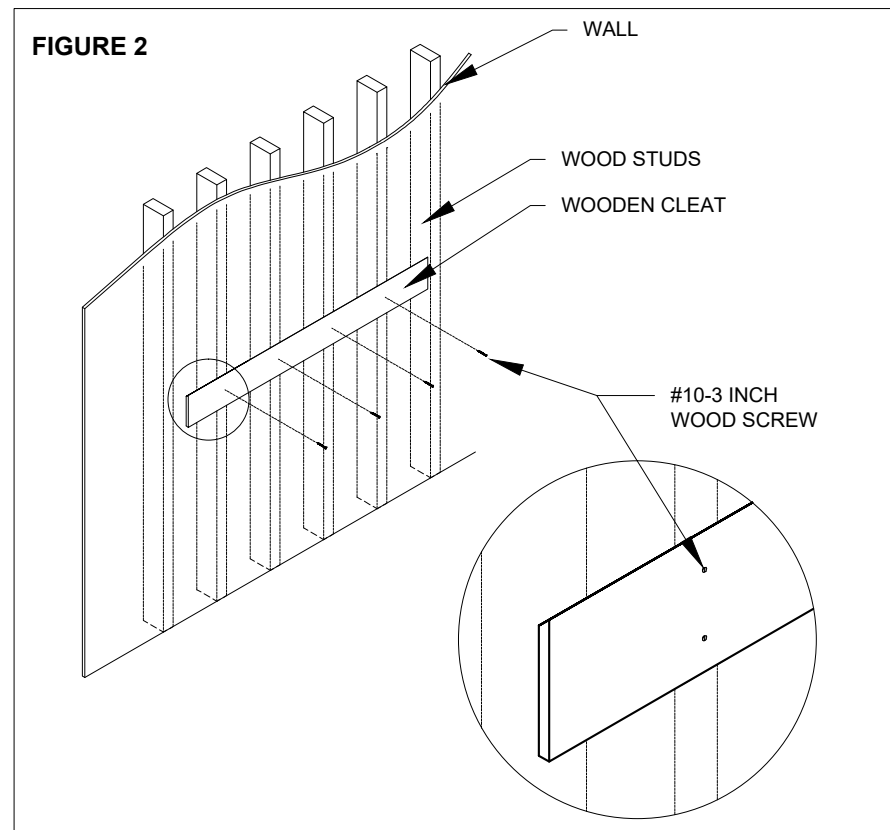
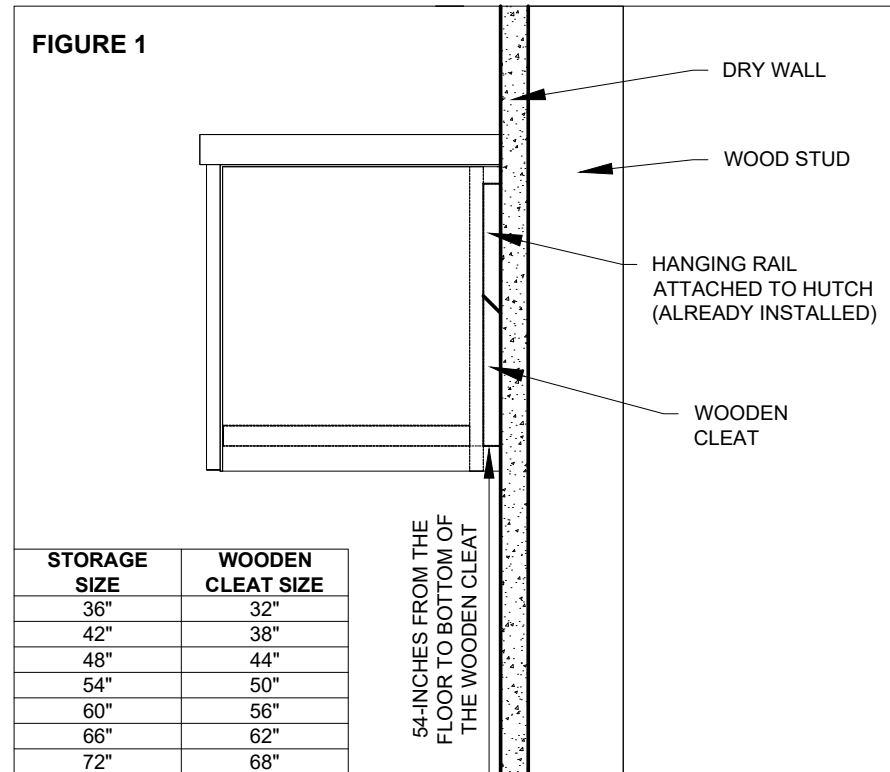
Figure 4

tools & hardware needed



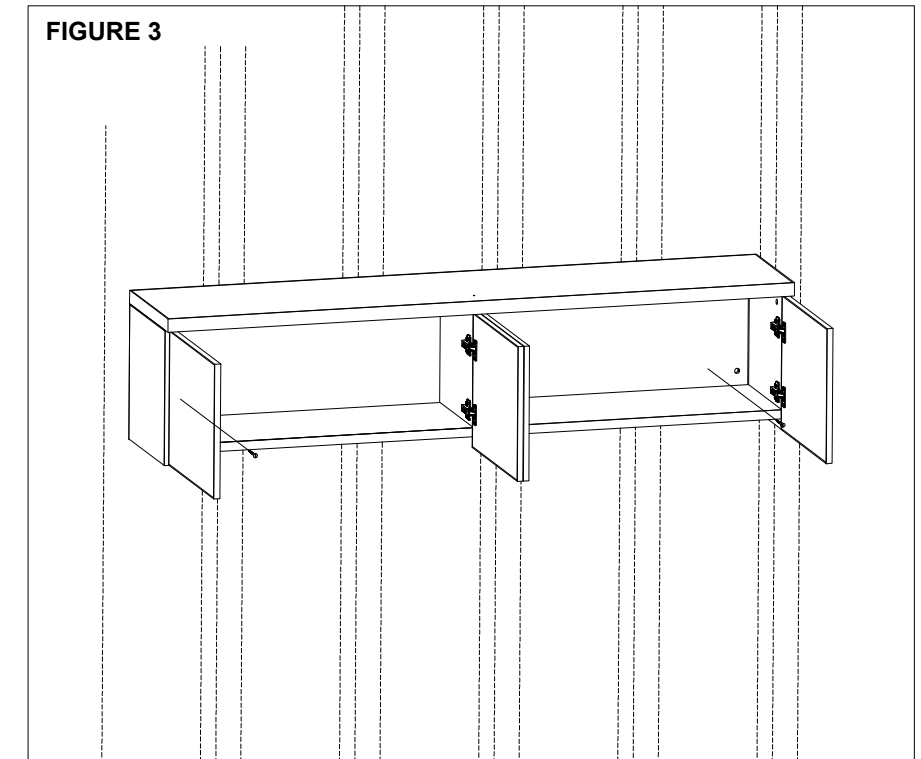
overhead storage - attachment to dry wall with wood studs

1. Find the location of the studs with a stud finder; make marks on the wall.
2. Mark the location of the wooden cleat on the wall and position it to the previously marked studs. The recommended height is 54-inches from the floor to the bottom of the wooden cleat. Use the following size as a guide for mounting the wooden cleats on the wall listed in Figure 1.
3. Level the wooden cleat and attach it to studs with #10, 3-inch wood screws, (Figure 2).



overhead storage - attachment to dry wall with wood studs (cont'd)

4. Hang the hutch over the installed wooden cleat.
5. Secure with #10, 3-inch wood screws from the inside back panel of the hutch through the wooden cleat, (Figure 3).



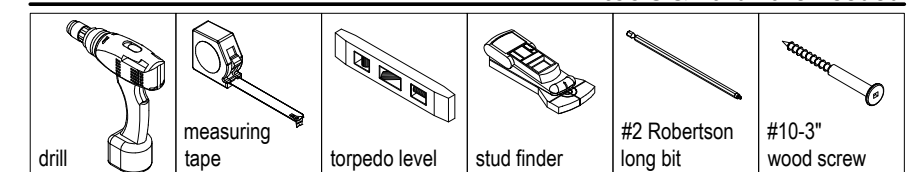
! WARNING

It is the owner's responsibility to ensure that the wall type and construction is of sufficient strength to carry the loads of the overhead storage unit and its contents. Failure of the wall to support all imposed loads may result in property damage and/or personal injury. When in doubt, the use of other methods of storage such as freestanding storage units, hutches and bookcases is strongly recommended.

NOTES:

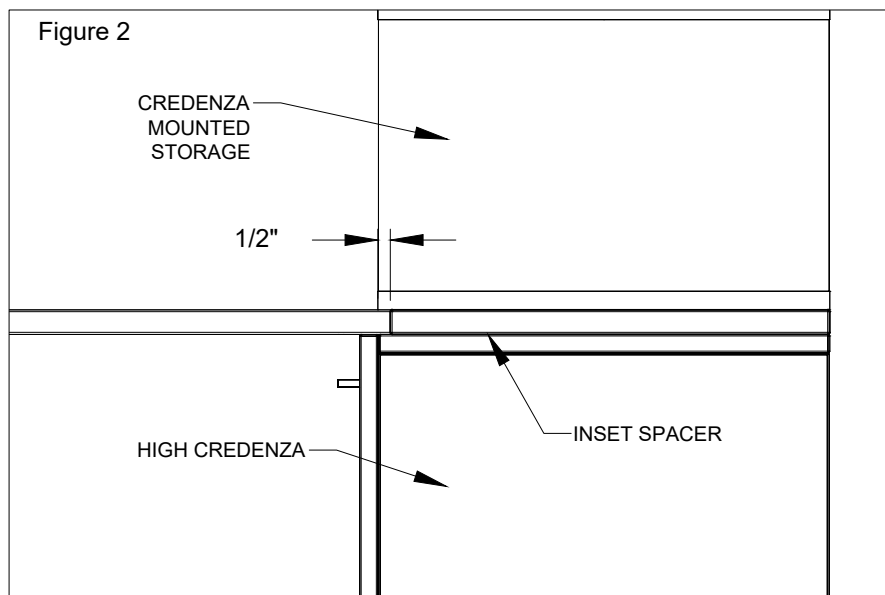
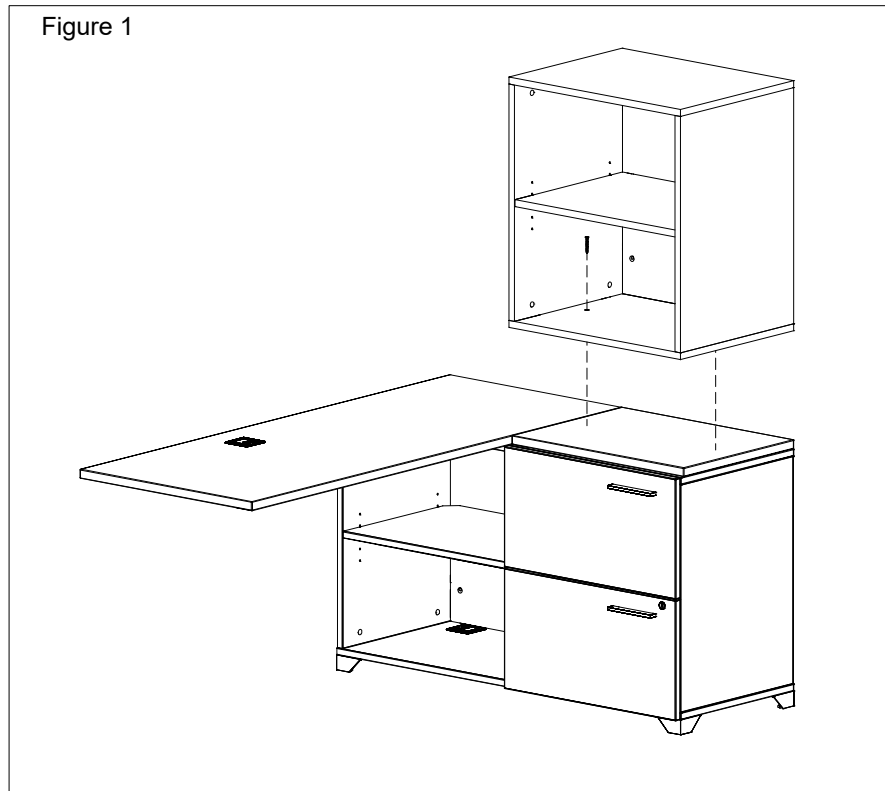
- > use 6 screws for hutches w/o dividers (48-inches and 54-inches wide) and 8 screws for hutches with dividers (60-inches, 66-inches and 72-inches wide).
- > make sure no electrical wires are on the way of the screws.

tools & hardware needed

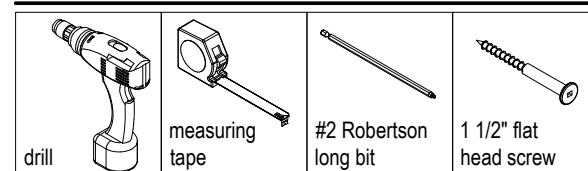


credenza mounted storage to high credenza installation

1. Secure the credenza mounted storage to the spacer with two 1-1/2 inch flat head screws, (Figure 1).
2. The credenza mounted storage is mounted with 1/2 inch space at the front of the credenza; flush on the sides and at the back, (Figure 2).



tools & hardware needed



surface mounted screen

1. Position the surface mounted screen to the worksurface (Figure 1).
2. Attach the surface mounted screen to the underside of the worksurface using #10 1" oval head screws (Figure 2).

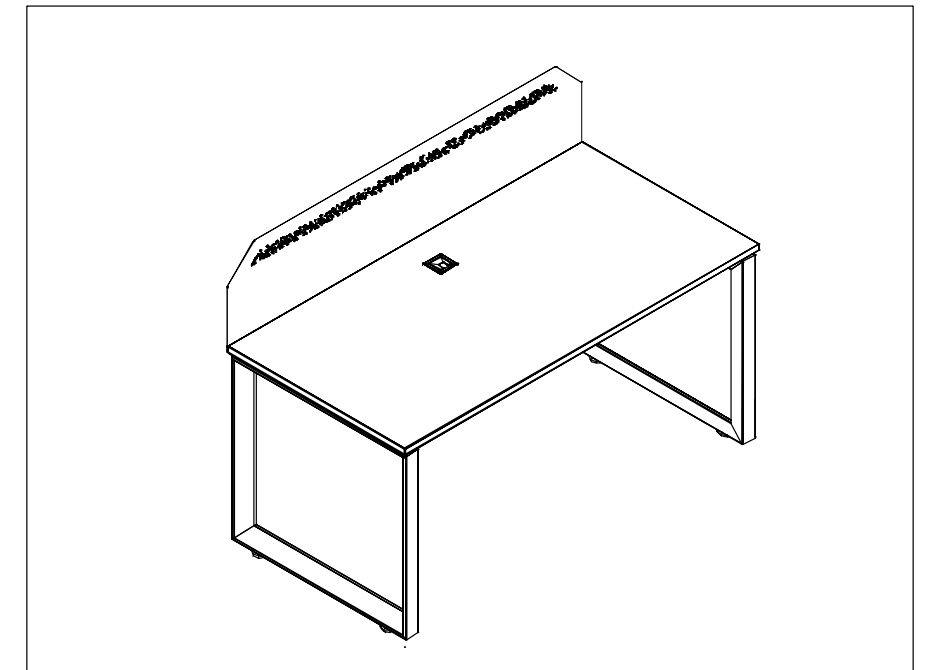


FIGURE 1

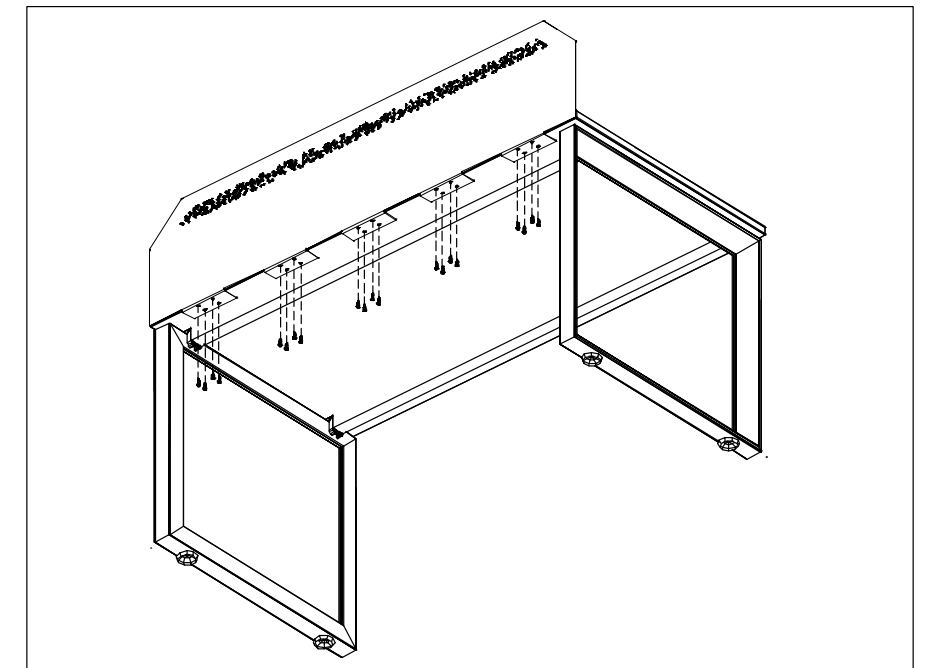
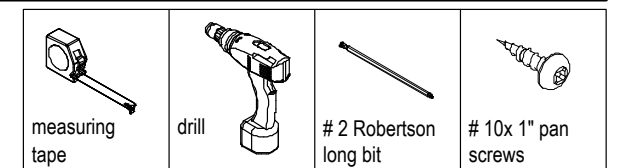


FIGURE 2

tools & hardware needed



trough mounted modesty screen

1. Position the trough mounted modesty screen.
2. Attach the trough mounted modesty screen to the wire management trough using 1/4-20 round head screws with three washers on each screw (Figure 1).

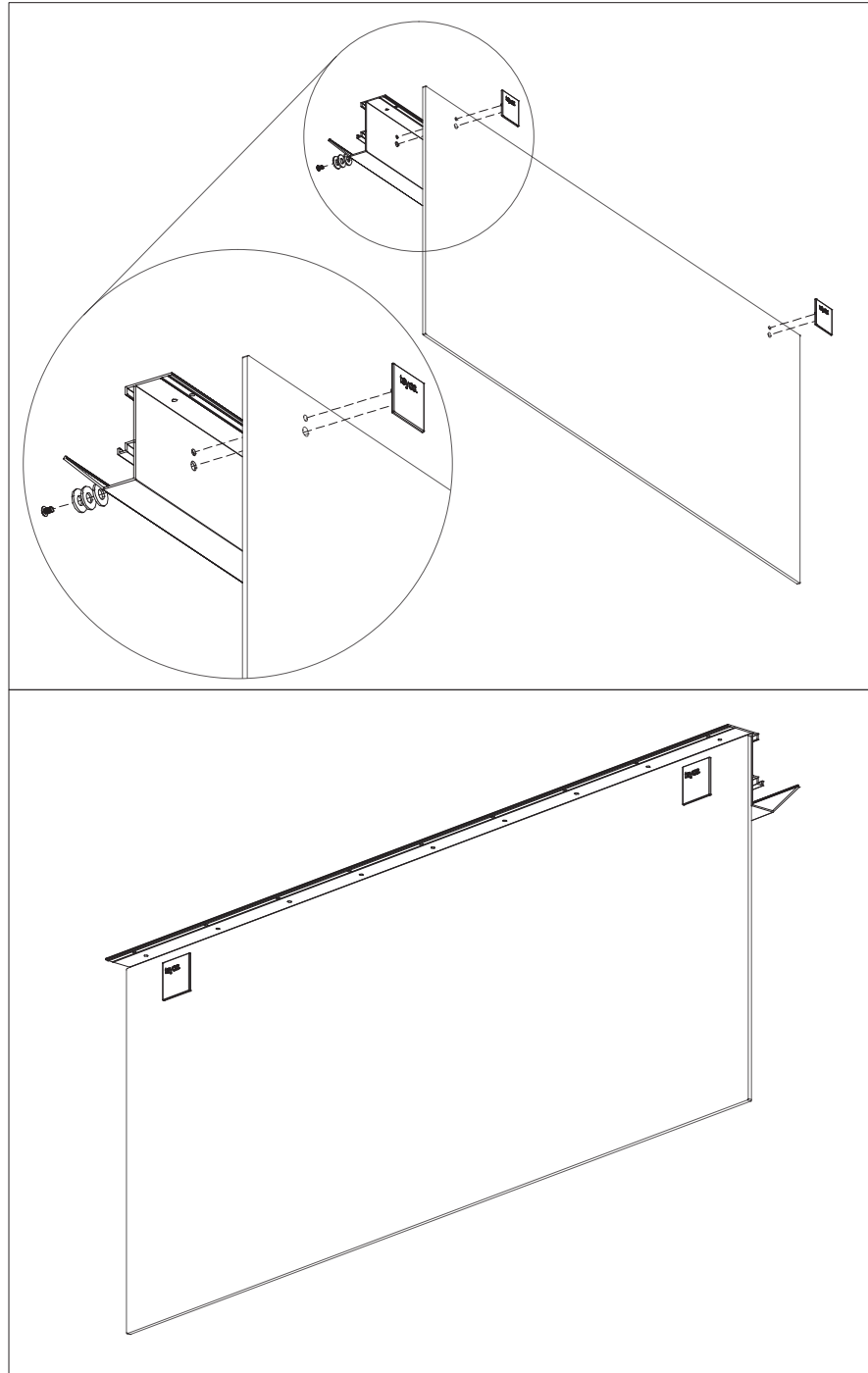
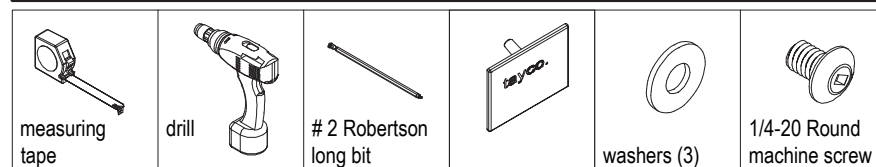


FIGURE 1

tools & hardware needed



wire management trough to surface

The wire management trough mounts to the underside of a reinforcement bar to manage power and communication cables horizontally below the worksurface level. Also, the power and/or communication box can be mounted to channels on the trough.

1. Ensure the worksurface is properly supported and all brackets are secured.
2. Position the worksurface wire management trough at the specified location (Figure 1). Use #10 1" oval head screws to attach the wire management trough to the underside of the worksurface (Figure 2).

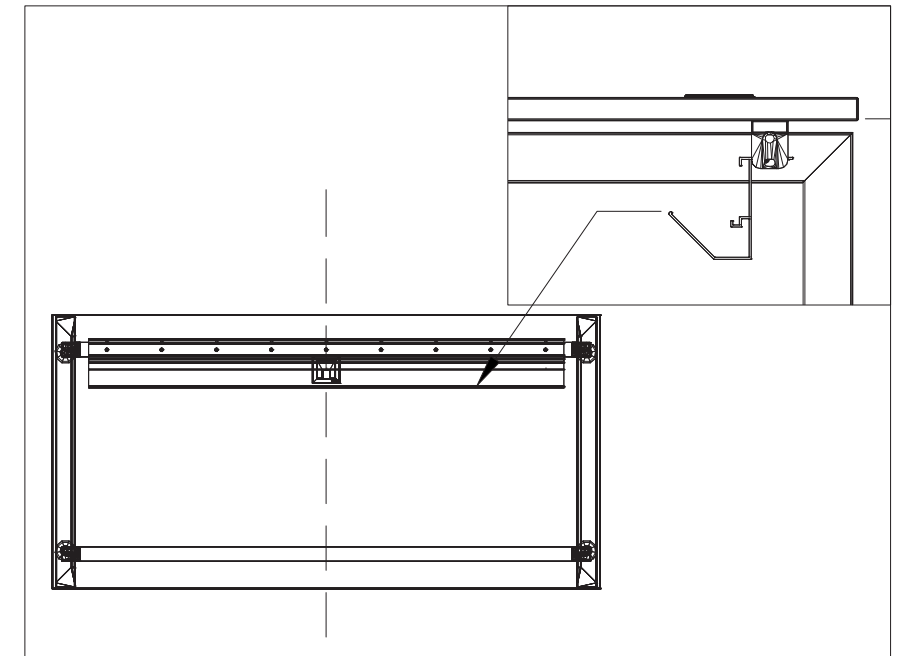


FIGURE 1

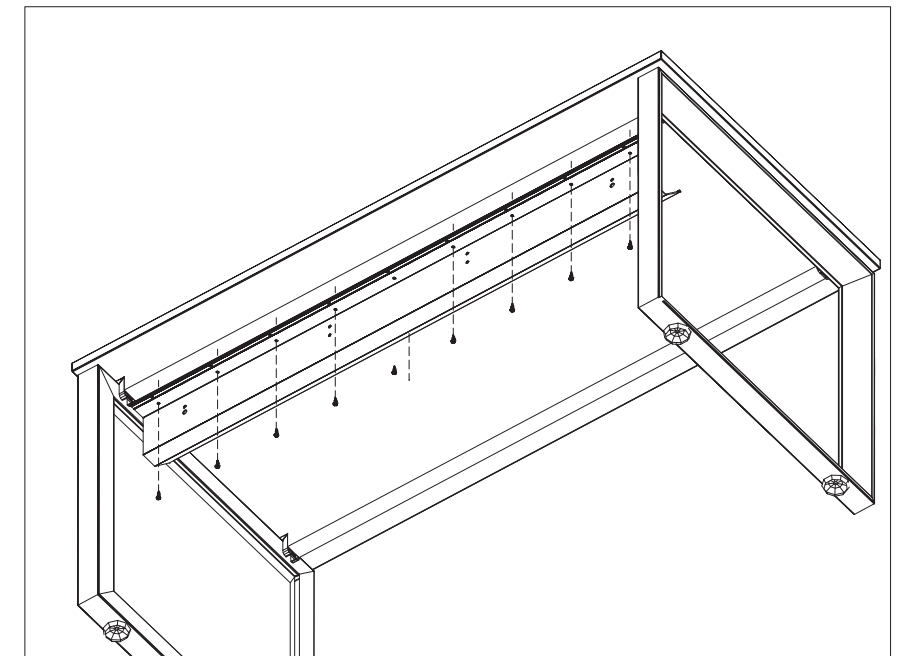
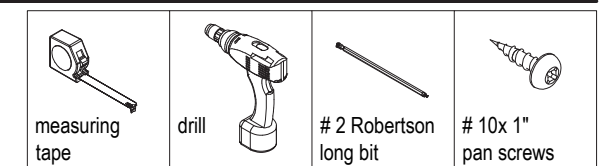


FIGURE 2

tools & hardware needed



power pole installation

The power pole is attached to the open gables to manage cables from the ceiling to a workstation below the worksurface level.

1. Attach brackets to the open end gable using #10-5/8" pan self drilling screws.
2. Inspect ceiling condition before beginning installation if the ceiling tile is acoustical, remove the tile above the power pole before attaching the power pole to the bracket. (Figure 2).
3. Attach half of the power pole to the bracket using #10-32 machine screws.

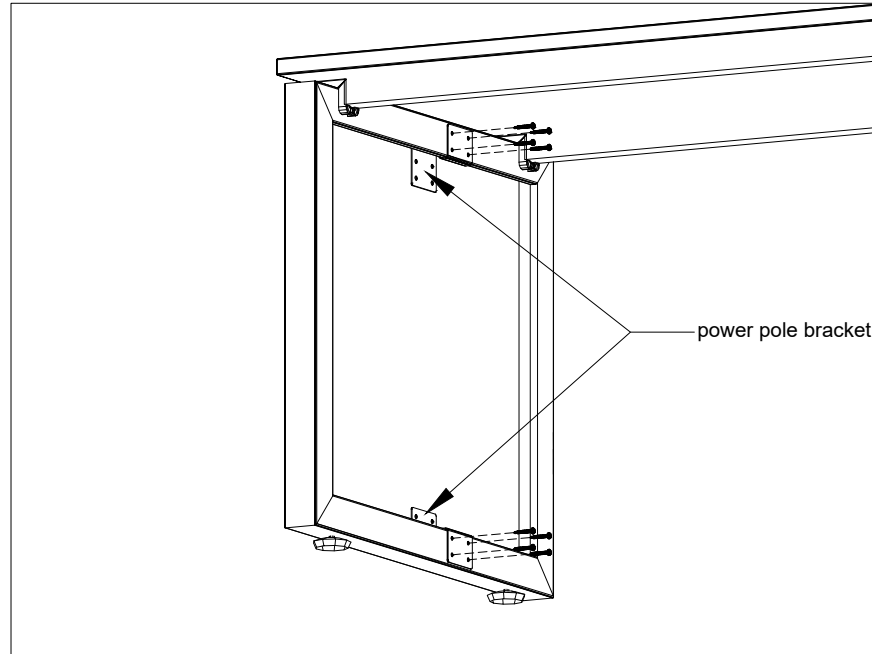


FIGURE 1

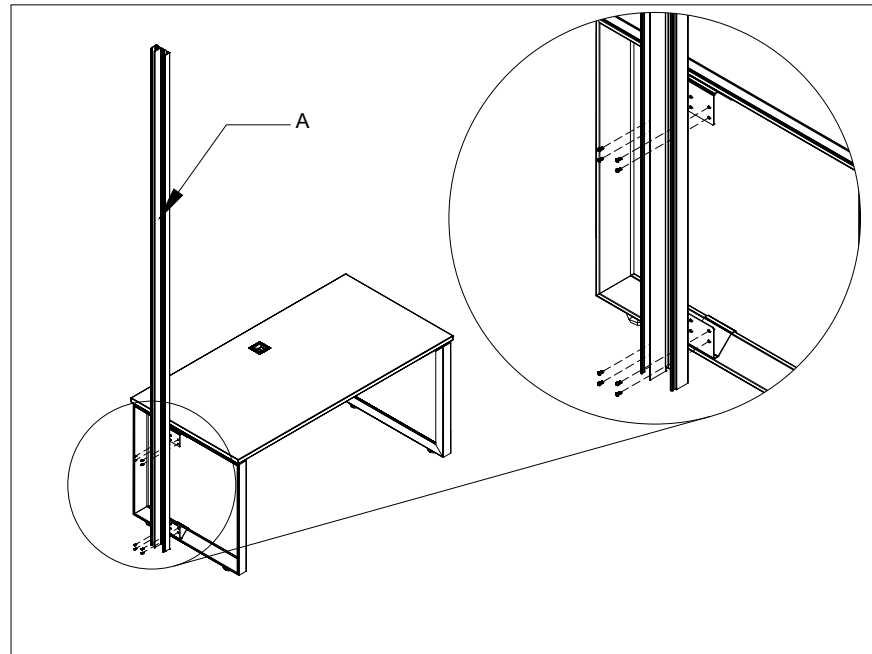
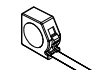






FIGURE 2

tools & hardware needed

| | | | | |
|---|--|---|--|--|
|  measuring tape |  drill |  # 2 Robertson long bit |  #10 x 5/8" pan self drilling screws |  # 10- 32 machine screws |
|---|--|---|--|--|

power pole installation (cont'd)

4. Lay the data and power cables in the power pole. Clip the two halves of the power pole together (Figure 3).
5. Place the ceiling collar around the management column and mount to the ceiling with 6 screws; (Figure 4).

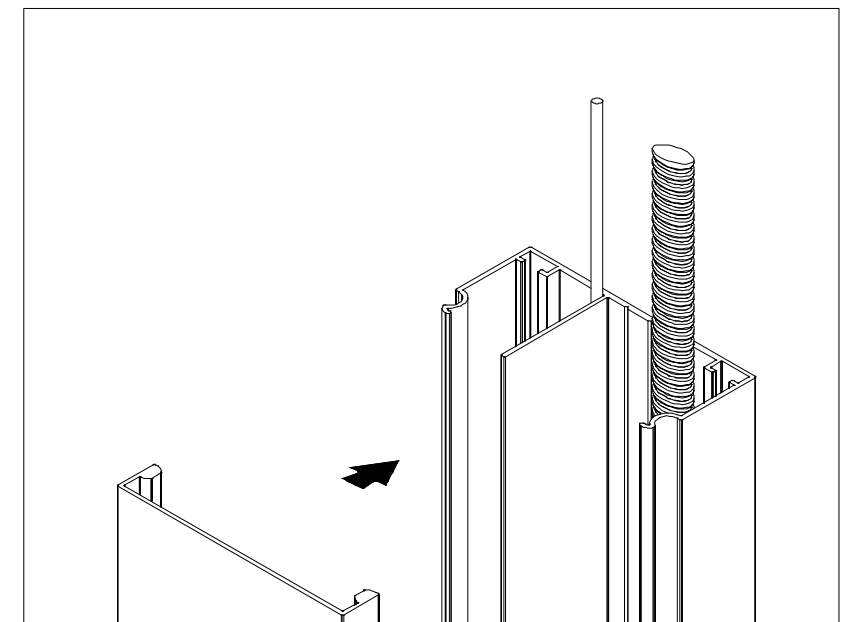


FIGURE 3

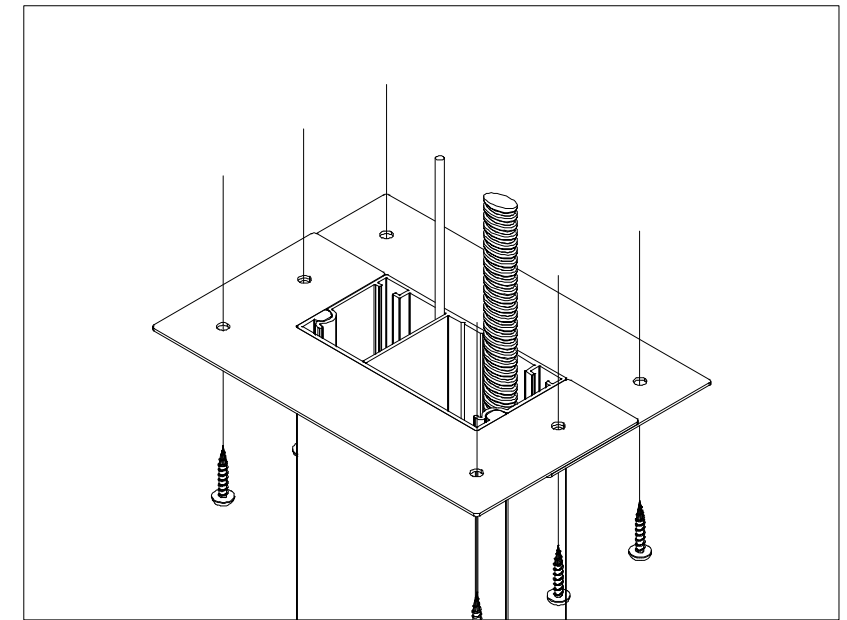
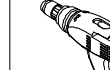

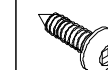


FIGURE 4

tools & hardware needed

| | | |
|--|--|---|
|  drill |  #2 Robertson long bit |  #10 11/16" oval head screw |
|--|--|---|

trough mounted communication box installation

box installation

The cable management trough communication box mounts to the worksurface cable management trough to provide communication access below the worksurface level.

1. Insert the bottom edge of the trough mounted communication box, (Figure 1).
2. Secure in place with 3/8" metal screws, (Figure 2).

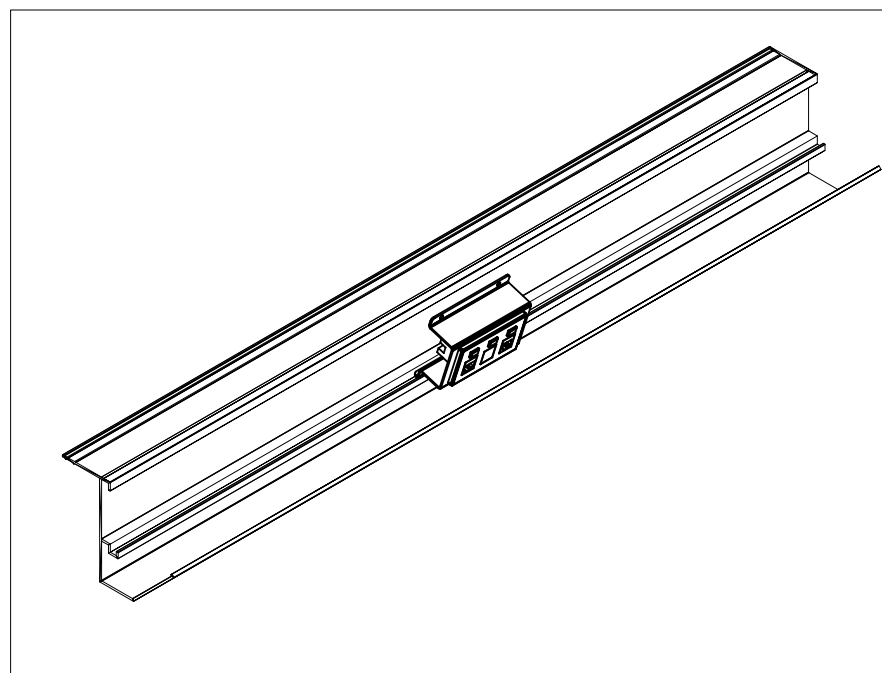


FIGURE 1

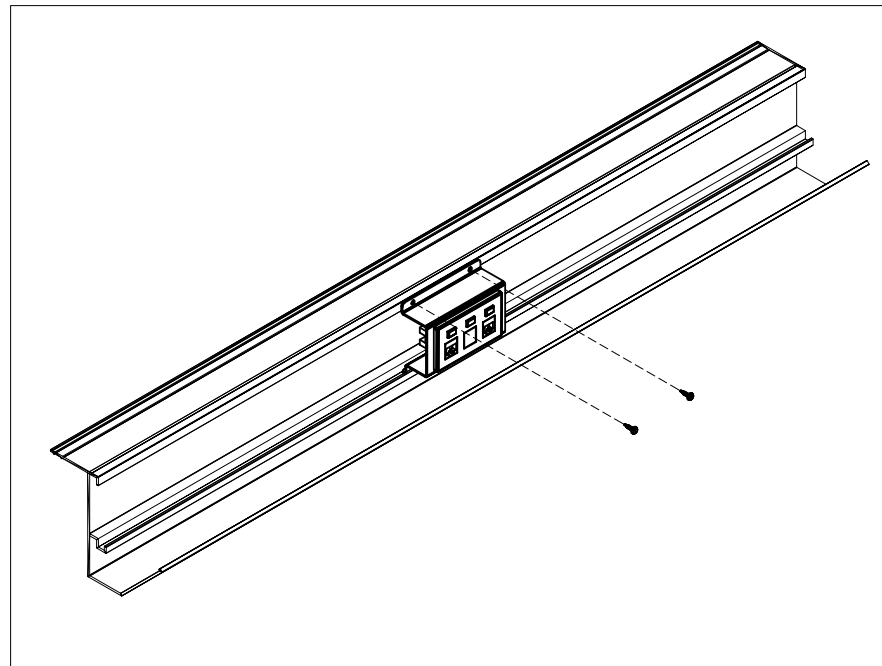
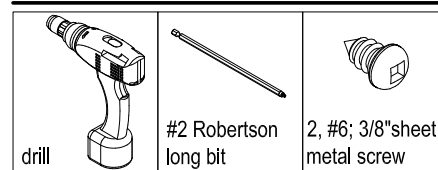


FIGURE 2

NOTES:

- > The trough mounted communication box does not come with any data cables.
- > The trough mounted communication box is equipped with one RJ11, RJ45 and a spare opening.

tools & hardware needed



trough mounted power box installation

The cable management trough power box mounts to the worksurface cable management trough to provide power access below the worksurface level.

1. Attach the harness(es) to the power box before installation, (Figure 1).
2. Mount the trough mounted power box to the horizontal wire management trough with 5/8" metal screws, (Figure 2).

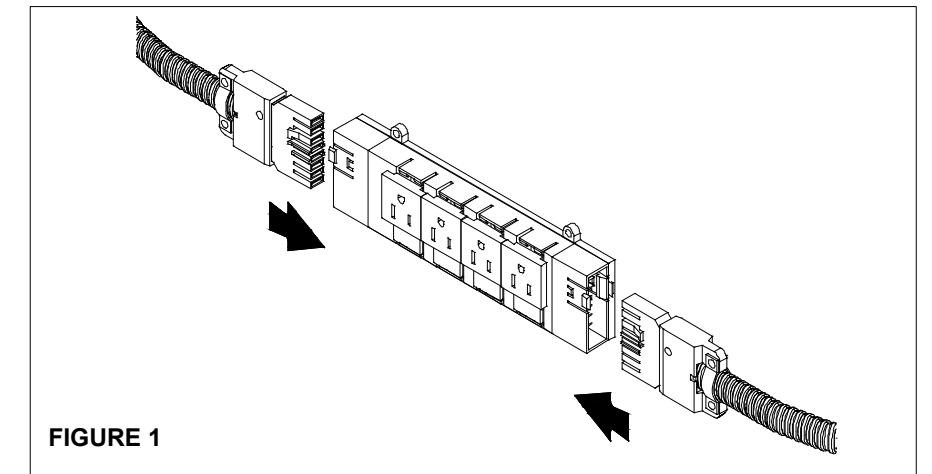


FIGURE 1

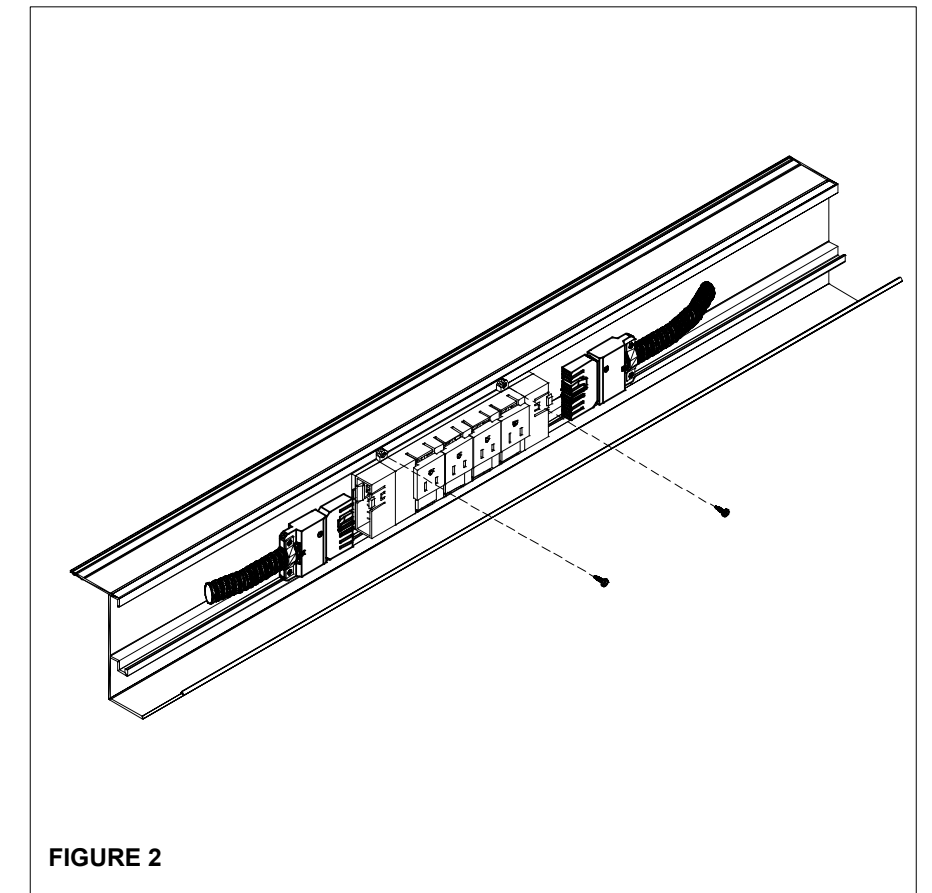
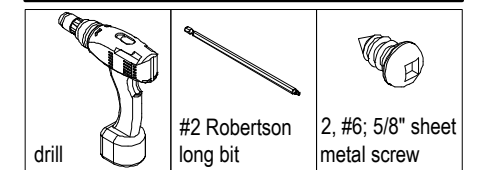


FIGURE 2

NOTES:

- > The trough mounted power box does not come with any electrical harnesses.

tools & hardware needed

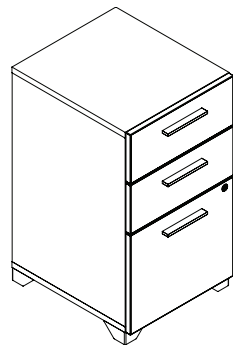




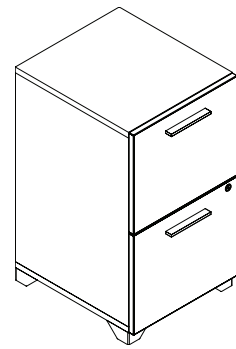
Scene Pricebook
January 2026
Pedestals

pedestals

| | |
|---------------------|----|
| <u>freestanding</u> | 54 |
| <u>mobile</u> | 56 |



box/box/file pedestal without seat cushion



file/file pedestal without seat cushion

What's Included:

Tall stationary pedestal (box/box/file or file/file drawer configuration) (1), box drawer pencil tray (box/box/file drawer configuration) (1), and keys for lock (2).

Notes:

Tall stationary pedestal is 16" wide.

Available in box/box/file or file/file drawer configuration.

Top box drawer (box/box/file configuration) includes a plastic pencil tray to enhance organizational capabilities.

File drawer(s) accommodate either legal paper or letter paper hanging folders.

Contemporary metal handles on the drawers are standard.

Four levelers with a leveling range of 2.5" are included.

How to Specify:

Specify the drawer configuration to suit the storage requirements.

Specify the depth of the pedestal to be the same as the depth of the worksurface being utilized above.

Body refers to the top, side and back panels of the freestanding pedestal.

Face refers to the drawer front of the freestanding pedestal.

Pencil tray is available in white translucent plastic only.

Internal drawer bodies are black low pressure laminate only.

Freestanding pedestal can be keyed alike or keyed randomly for a workstation.

Lock is available in satin silver metal only.

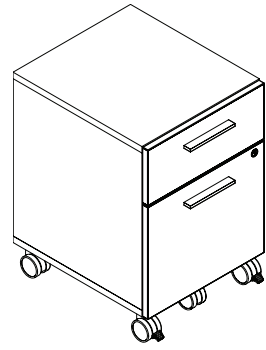
Options:

| | | |
|----------------------|--|-----------------------|
| Drawer Configuration | BF box / box / file | FF file / file |
| Depth | 18", 24" | |
| Body Laminate | laminate color | |
| Face Laminate | laminate color | |
| Handle Color | Refer to metal paint card for metal paint colors | |
| Foot Color | Refer to metal paint card for metal paint colors | |

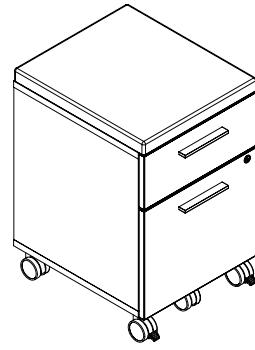
How to Order and Read your Code:

| | | | | | |
|--------------|-----------|----------------------|-----------|-----------|-----------|
| F | FP | BF | 28 | 16 | 24 |
| product line | item | drawer configuration | height | width | depth |

| Code | Price | H | W | D | Weight (lb) | Volume (ft ³) |
|------------------|-------|----|----|----|-------------|---------------------------|
| box / box / file | | | | | | |
| F-FPBF-281618 | 1269 | 28 | 16 | 18 | 53.76 | 4.67 |
| F-FPBF-281624 | 1300 | 28 | 16 | 24 | 71.68 | 6.22 |
| file/file | | | | | | |
| F-FPFF-281618 | 1138 | 28 | 16 | 18 | 53.76 | 4.67 |
| F-FPFF-281624 | 1170 | 28 | 16 | 24 | 71.68 | 6.22 |



mobile pedestal without seat cushion



mobile pedestal with seat cushion

What's Included:

Low mobile pedestal (box/file drawer configuration) with/without seat cushion (1), box drawer pencil tray (1), and keys for lock (2).

Notes:

- Low mobile pedestal is 16" wide.
- Box drawer includes a plastic pencil tray to enhance organizational capabilities.
- File drawer accommodates either legal paper or letter paper hanging folders.
- The two front casters are lockable.
- Contemporary metal handles on the drawers are standard.

How to Specify:

- Specify the drawer configuration to suit the storage requirements.
- Specify the depth of the pedestal to be the same as the depth of the worksurface being utilized above.
- Body refers to the top, side and back panels of the freestanding pedestal.
- Face refers to the drawer front of the freestanding pedestal.
- Pencil tray is available in white translucent plastic only.
- Internal drawer bodies are black low pressure laminate only.
- Freestanding pedestal can be keyed alike or keyed randomly for a workstation.
- Lock is available in satin silver metal only.

Options:

| | | |
|--------------------|-------------------------------|-------------------------------------|
| Seat Cushion | O without seat cushion | S with seat cushion |
| Depth | 18" | |
| Body Laminate | laminate color | |
| Face Laminate | laminate color | |
| Handle Color | H112 silver | H121 white H122 black |
| Caster Cap Color | P112 silver | P121 white |
| Seating Upholstery | seating fabrics | |

| Code | Price | H | W | D | Weight (lb) | Volume (ft ³) |
|----------------------|-------|----|----|----|-------------|---------------------------|
| without seat cushion | | | | | | |
| F-FPL0-231618 | 1083 | 23 | 16 | 18 | 53.76 | 3.83 |

with seat cushion

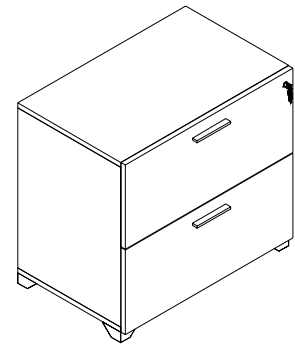
| Code | Grade 1 | Grade 2 | Grade 3 | Grade 6 | W | D | Weight (lb) | Volume (ft ³) |
|---------------|---------|---------|---------|---------|----|----|-------------|---------------------------|
| F-FPLS-251618 | 1368 | 1289 | 1325 | 1427 | 16 | 18 | 53.76 | 4.17 |



Scene Pricebook
January 2026
Laterals

lateral

| | |
|----------|----|
| 2 drawer | 60 |
| 3 drawer | 62 |
| 4 drawer | 64 |



What's Included:

2 drawer lateral storage

How to Specify:

Body refers to the top, side and back panels of the 2 drawer lateral.

Face refers to the drawer front of the 2 drawer lateral.

2 drawer lateral can be keyed alike or keyed randomly for a workstation.

Lock is available in satin silver metal only.

Notes:

2 drawer lateral is available in 30", 36" & 42" widths.

2 drawer lateral is available in 18" & 24" depths.

Metal handles on the drawers are standard.

Each drawer includes 2 cross rails to enhance organizational capabilities.

File drawers accommodates either legal paper or letter paper hanging folders.

Four levelers with a leveling range of 2.5" are included.

Disclaimer: Please note that lateral file drawers are intended for filing letter and legal size paper front to back or side to side only. For details and weight restrictions please contact customer service.

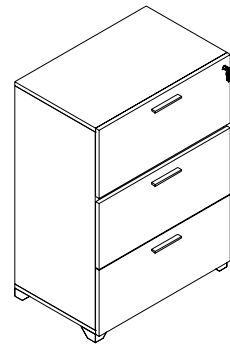
Options:

| | |
|---------------|--|
| Width | 30", 36", 42" |
| Depth | 18", 24" |
| Body Laminate | laminate color |
| Face Laminate | laminate color |
| Handle Color | Refer to metal paint card for metal paint colors |
| Foot Color | Refer to metal paint card for metal paint colors |

How to Order and Read your Code:

| | | | | | |
|--------------|-----------|----------------------|-----------|-----------|-----------|
| F | FL | 2F | 28 | 30 | 18 |
| product line | item | drawer configuration | height | width | depth |

| Code | Price | H (in.) | W (in.) | D 1 (in.) | Weight (lb) | Volume (ft ³) |
|---------------|-------|---------|---------|-----------|-------------|---------------------------|
| F-FL2F-283018 | 1737 | 28 | 30 | 18 | 65.74 | 8.75 |
| F-FL2F-283024 | 1781 | 28 | 30 | 24 | 87.65 | 11.67 |
| F-FL2F-283618 | 1805 | 28 | 36 | 18 | 78.89 | 10.5 |
| F-FL2F-283624 | 1915 | 28 | 36 | 24 | 105.18 | 14 |
| F-FL2F-284218 | 1930 | 28 | 42 | 18 | 92.03 | 12.25 |
| F-FL2F-284224 | 2050 | 28 | 42 | 24 | 122.71 | 16.33 |



What's Included:

3 drawer lateral storage

How to Specify:

Body refers to the top, side and back panels of the 2 drawer lateral.

Face refers to the drawer front of the 2 drawer lateral.

2 drawer lateral can be keyed alike or keyed randomly for a workstation.

Lock is available in satin silver metal only.

Notes:

3 drawer lateral is available in 30", 36" & 42" widths.

3 drawer lateral is available in 18" & 24" depths.

Metal handles on the drawers are standard.

Each drawer includes 2 cross rails to enhance organizational capabilities.

File drawers accommodates either legal paper or letter paper hanging folders.

Four levelers with a leveling range of 2.5" are included.

Disclaimer: Please note that lateral file drawers are intended for filing letter and legal size paper front to back or side to side only. For details and weight restrictions please contact customer service.

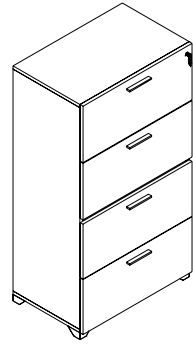
Options:

| | |
|---------------|--|
| Width | 30", 36", 42" |
| Depth | 18", 24" |
| Body Laminate | laminate color |
| Face Laminate | laminate color |
| Spacer trim | LPL color |
| Handle Color | Refer to metal paint card for metal paint colors |
| Foot Color | Refer to metal paint card for metal paint colors |

How to Order and Read your Code:

| | | | | | |
|--------------|-----------|----------------------|-----------|-----------|-----------|
| F | FL | 3F | 43 | 30 | 18 |
| product line | item | drawer configuration | height | width | depth |

| Code | Price | H (in.) | W (in.) | D 1 (in.) | Weight (lb) | Volume (ft ³) |
|---------------|-------|---------|---------|-----------|-------------|---------------------------|
| F-FL3F-433018 | 2806 | 43 | 30 | 18 | 92.88 | 13.44 |
| F-FL3F-433024 | 2869 | 43 | 30 | 24 | 123.84 | 17.92 |
| F-FL3F-433618 | 2906 | 43 | 36 | 18 | 111.46 | 16.13 |
| F-FL3F-433624 | 3110 | 43 | 36 | 24 | 148.61 | 21.5 |
| F-FL3F-434218 | 3125 | 43 | 42 | 18 | 130.03 | 18.81 |
| F-FL3F-434224 | 3346 | 43 | 42 | 24 | 173.38 | 25.08 |



What's Included:

4 drawer lateral storage

How to Specify:

Body refers to the top, side and back panels of the 4 drawer lateral.

Face refers to the drawer front of the 4 drawer lateral.

4 drawer lateral can be keyed alike or keyed randomly for a workstation.

Lock is available in satin silver metal only.

Notes:

4 drawer lateral is available in 30", 36" & 42" widths.

4 drawer lateral is available in 18" & 24" depths.

Metal handles on the drawers are standard.

Each drawer includes 2 cross rails to enhance organizational capabilities.

File drawers accommodate either legal paper or letter paper hanging folders.

Four levelers with a leveling range of 2.5" are included.

Disclaimer: Please note that lateral file drawers are intended for filing letter and legal size paper front to back or side to side only. For details and weight restrictions please contact customer service.

Options:

| | |
|---------------|--|
| Width | 30", 36", 42" |
| Depth | 18", 24" |
| Body Laminate | laminate color |
| Face Laminate | laminate color |
| Spacer trim | LPL color |
| Handle Color | Refer to metal paint card for metal paint colors |
| Foot Color | Refer to metal paint card for metal paint colors |

How to Order and Read your Code:

| | | | | | |
|--------------|-----------|----------------------|-----------|-----------|-----------|
| F | FL | 4F | 56 | 30 | 18 |
| product line | item | drawer configuration | height | width | depth |

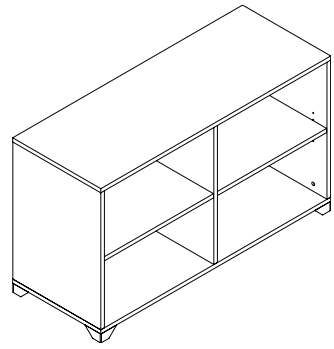
| Code | Price | H (in.) | W (in.) | D 1 (in.) | Weight (lb) | Volume (ft ³) |
|---------------|-------|---------|---------|-----------|-------------|---------------------------|
| F-FL4F-563018 | 3344 | 56 | 30 | 18 | 108 | 17.5 |
| F-FL4F-563024 | 3439 | 56 | 30 | 24 | 144 | 23.33 |
| F-FL4F-563618 | 3489 | 56 | 36 | 18 | 129.6 | 21 |
| F-FL4F-563624 | 3726 | 56 | 36 | 24 | 172.8 | 28 |
| F-FL4F-564218 | 3757 | 56 | 42 | 18 | 151.2 | 24.5 |
| F-FL4F-564224 | 4008 | 56 | 42 | 24 | 201.6 | 32.67 |



Scene Pricebook
January 2026
Credenzas



| | |
|----------------------|----|
| <u>open high</u> | 68 |
| <u>enclosed high</u> | 69 |
| <u>combo high</u> | 70 |
| <u>open low</u> | 72 |
| <u>enclosed low</u> | 73 |
| <u>combo low</u> | 74 |



What's Included:

Open high credenza (1) with two wire management grommets (2).

How to Specify:

Body refers to the top, side and back panels of the open high credenza.

Lock is available in satin silver metal only.

Notes:

Open high credenza is available in 48", 54", 60", 66" & 72" widths.

Open high credenza is available in 18" depth.

Open shelf provides storage space for books, binders, and boxes, as well as large personal items such as backpacks and briefcases.

Four levelers with a leveling range of 2.5-inches are included.

Middle shelves have a notched corner to allow a pass through for power & data

Lower shelf has 2 wire management grommets

Options:

Width 48", 54", 60", 66", 72"

Body Laminate laminate color

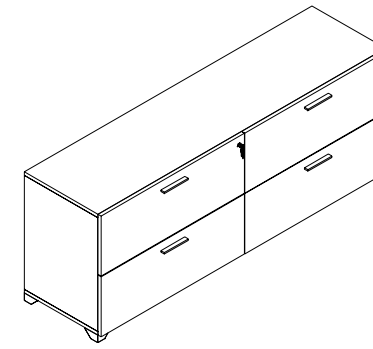
Foot Color Refer to metal paint card for metal paint colors

Grommet Color Refer to metal paint card for metal paint colors

How to Order and Read your Code:

F **CROH** **28** **30** **18**
 product line item height width depth

| Code | Price | H (in.) | W (in.) | D 1 (in.) | Weight (lb) | Volume (ft ³) |
|---------------|-------|---------|---------|-----------|-------------|---------------------------|
| F-CROH-284818 | 1295 | 28 | 48 | 18 | 48.38 | 14 |
| F-CROH-285418 | 1369 | 28 | 54 | 18 | 54.43 | 15.75 |
| F-CROH-286018 | 1440 | 28 | 60 | 18 | 60.48 | 17.5 |
| F-CROH-286618 | 1505 | 28 | 66 | 18 | 66.53 | 19.25 |
| F-CROH-287218 | 1574 | 28 | 72 | 18 | 72.58 | 21 |



What's Included:

Enclosed high credenza (file/file drawer configuration) (1), and keys for lock (4).

How to Specify:

Body refers to the top, side and back panels of the enclosed high credenza.

Face refers to the drawer front of the enclosed high credenza.

Drawer handles are finished in silver, black or white powder coat.

Enclosed high credenza can be keyed alike or keyed randomly for a workstation.

Lock is available in satin silver metal only.

Notes:

Enclosed high credenza is available in 48", 60" & 72" widths.

File drawer can accommodate either legal paper or letter paper hanging folders.

Metal handles on the drawers are standard.

Four levelers with a leveling range of 2.5-inches are included.

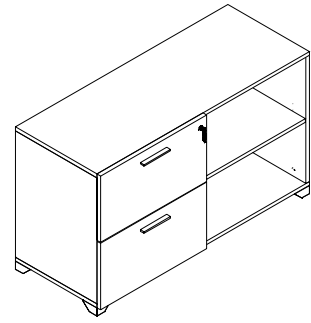
Options:

Width 48", 54", 60", 66", 72"

Handle Color Refer to metal paint card for metal paint colors

Foot Color Refer to metal paint card for metal paint colors

| Code | Price | H (in.) | W (in.) | D 1 (in.) | Weight (lb) | Volume (ft ³) |
|---------------|-------|---------|---------|-----------|-------------|---------------------------|
| F-CREH-284818 | 2773 | 28 | 48 | 18 | 96.77 | 14 |
| F-CREH-286018 | 3017 | 28 | 60 | 18 | 120.96 | 17.5 |
| F-CREH-287218 | 3259 | 28 | 72 | 18 | 145.15 | 21 |



left hand
drawer position

What's Included:

Combo high credenza (open shelf and file/file drawer configuration) (1) with keys for lock (2) and a wire management grommet (1).

How to Specify:

Specify drawer position to be on the side/end of the credenza that is not supporting a worksurface.

Body refers to the top, side and back panels of the combo high credenza.

Face refers to the drawer front of the combo high credenza.

Drawer handles are finished in silver, black or white powder coat.

Combo high credenza can be keyed alike or keyed randomly for a workstation.

Lock is available in satin silver metal only.

Notes:

Combo high credenza is available in 48", 54", 60", 66" & 72" widths.

Available with open shelf and file/file drawer configuration located on the left or right side of the credenza.

Open shelf provides storage space for books, binders, and boxes, as well as large personal items such as backpacks and briefcases.

One file drawer accommodates either legal paper or letter paper hanging folders.

Metal handles on the drawers are standard.

Four levelers with a leveling range of 2.5-inches are included.

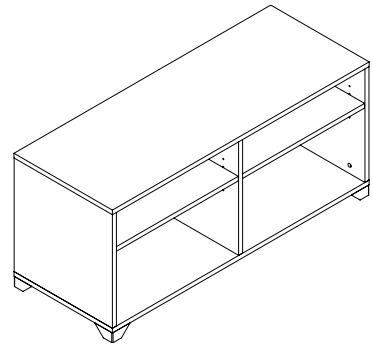
Middle shelf has a notched corner to allow a pass through for power & data

Lower shelf has a wire management grommet

Options:

| | | |
|-----------------|--|----------------|
| Width | 48", 54", 60", 66", 72" | |
| Drawer position | L left | R right |
| Body Laminate | laminate color | |
| Face Laminate | laminate color | |
| Handle Color | Refer to metal paint card for metal paint colors | |
| Foot Color | Refer to metal paint card for metal paint colors | |
| Grommet Color | Refer to metal paint card for metal paint colors | |

| Code | Price | H (in.) | W (in.) | D 1 (in.) | Weight (lb) | Volume (ft ³) |
|-------------------|-------|---------|---------|-----------|-------------|---------------------------|
| Left Hand | | | | | | |
| F-CRCH-284818-LC | 1990 | 28 | 48 | 18 | 69.12 | 14 |
| F-CRCH-285418-LC | 2061 | 28 | 54 | 18 | 77.76 | 15.75 |
| F-CRCH-286018-LC | 2185 | 28 | 60 | 18 | 86.4 | 17.5 |
| F-CRCH-286618-LC | 2257 | 28 | 66 | 18 | 95.04 | 19.25 |
| F-CRCH-287218-LC | 2379 | 28 | 72 | 18 | 103.68 | 21 |
| Right Hand | | | | | | |
| F-CRCH-284818-RC | 1990 | 28 | 48 | 18 | 69.12 | 14 |
| F-CRCH-285418-RC | 2061 | 28 | 54 | 18 | 77.76 | 15.75 |
| F-CRCH-286018-RC | 2185 | 28 | 60 | 18 | 86.4 | 17.5 |
| F-CRCH-286618-RC | 2257 | 28 | 66 | 18 | 95.04 | 19.25 |
| F-CRCH-287218-RC | 2379 | 28 | 72 | 18 | 103.68 | 21 |



What's Included:

Open low credenza

How to Specify:

Body refers to the top, side and back panels of the open low credenza.

Notes:

Open low credenza is available in 48", 54", 60", 66" & 72" widths.

Open low credenza is available in 18" depth.

Open low credenza top mount worksurface support enables the credenza to support the end of a worksurface(s).

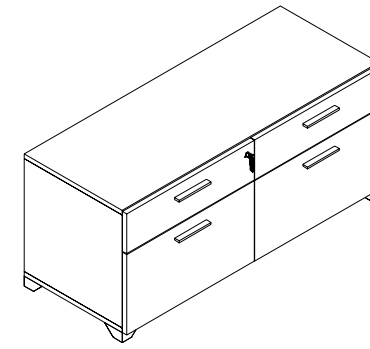
Open shelf provides storage space for books, binders, and boxes, as well as large personal items such as backpacks and briefcases.

Four levelers with a leveling range of 2.5-inches are included.

Options:

| | |
|---------------|--|
| Width | 48", 60", 72" |
| Body Laminate | laminate color |
| Foot Color | Refer to metal paint card for metal paint colors |

| Code | Price | H (in.) | W (in.) | D 1 (in.) | Weight (lb) | Volume (ft ³) |
|---------------|-------|---------|---------|-----------|-------------|---------------------------|
| F-CROL-224818 | 1147 | 22 | 48 | 18 | 38.02 | 11 |
| F-CROL-225418 | 1216 | 22 | 54 | 18 | 42.77 | 12.38 |
| F-CROL-226018 | 1283 | 22 | 60 | 18 | 47.52 | 13.75 |
| F-CROL-226618 | 1348 | 22 | 66 | 18 | 52.27 | 15.13 |
| F-CROL-227218 | 1413 | 22 | 72 | 18 | 57.02 | 16.5 |



What's Included:

Enclosed low credenza (box/file drawer configuration) (1), and keys for lock (4)

How to Specify:

Body refers to the top, side and back panels of the enclosed low credenza.

Face refers to the drawer front of the enclosed low credenza.

Drawer handles are finished in silver, black or white powder coat.

Enclosed low credenza can be keyed alike or keyed randomly for a workstation.

Lock is available in satin silver metal only.

Notes:

Enclosed low credenza is available in 48", 60" & 72" widths.

Enclosed low credenza top mount worksurface support enables the credenza to support the end of a worksurface(s).

Available with side-by-side box/file drawer configuration.

Two box drawers provide general storage space.

Two file drawer accommodate either legal paper or letter paper hanging folders.

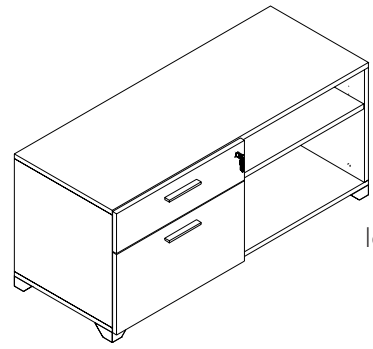
Metal handles on the drawers are standard.

Four levelers with a leveling range of 2.5-inches are included.

Options:

| | |
|---------------|--|
| Width | 48", 60", 72" |
| Body Laminate | laminate color |
| Face Laminate | laminate color |
| Handle Color | Refer to metal paint card for metal paint colors |
| Foot Color | Refer to metal paint card for metal paint colors |

| Code | Price | H (in.) | W (in.) | D 1 (in.) | Weight (lb) | Volume (ft ³) |
|---------------|-------|---------|---------|-----------|-------------|---------------------------|
| F-CREL-224818 | 2496 | 22 | 48 | 18 | 76.03 | 11 |
| F-CREL-226018 | 2691 | 22 | 60 | 18 | 95.04 | 13.75 |
| F-CREL-227218 | 2900 | 22 | 72 | 18 | 114.05 | 16.5 |



left drawer position

What's Included:

Combo low credenza (open shelf and box/file drawer configuration) (1), and keys for lock (2).

How to Specify:

Specify drawer position to be on the side/end of the credenza that is not supporting a work surface.

Body refers to the top, side and back panels of the combo low credenza.

Face refers to the drawer front of the combo low credenza.

Drawer handles are finished in silver, black or white powder coat.

Combo high credenza can be keyed alike or keyed randomly for a workstation.

Lock is available in satin silver metal only.

Notes:

Combo low credenza is available in 48", 54", 60", 66" & 72" widths.

Combo low credenza top mount work surface support enables the credenza to support the end of a work surface(s).

Available with open shelf and box/file drawer configuration located on the left or right side of the credenza.

Open shelf provides storage space for books, binders, and boxes, as well as large personal items such as backpacks and briefcases.

One box drawer provides general storage space.

One file drawer accommodates either legal paper or letter paper hanging folders.

Metal handles on the drawers are standard.

Four levelers with a leveling range of 2.5-inches are included.

Options:

| | |
|-----------------|--|
| Width | 48", 54", 60", 66", 72" |
| Drawer position | L left R right |
| Body Laminate | laminate color |
| Face Laminate | laminate color |
| Handle Color | Refer to metal paint card for metal paint colors |
| Foot Color | Refer to metal paint card for metal paint colors |

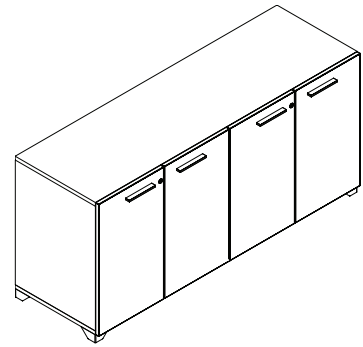
| Code | Price | H (in.) | W (in.) | D 1 (in.) | Weight (lb) | Volume (ft ³) |
|---------------------|-------|---------|---------|-----------|-------------|---------------------------|
| Left Drawer | | | | | | |
| F-CRCL-224818-LC | 1788 | 22 | 48 | 18 | 54.31 | 11 |
| F-CRCL-225418-LC | 1856 | 22 | 54 | 18 | 61.1 | 12.38 |
| F-CRCL-226018-LC | 1953 | 22 | 60 | 18 | 67.89 | 13.75 |
| F-CRCL-226618-LC | 2019 | 22 | 66 | 18 | 74.67 | 15.13 |
| F-CRCL-227218-LC | 2122 | 22 | 72 | 18 | 81.46 | 16.5 |
| Right Drawer | | | | | | |
| F-CRCL-224818-RC | 1788 | 22 | 48 | 18 | 54.31 | 11 |
| F-CRCL-225418-RC | 1856 | 22 | 54 | 18 | 61.1 | 12.38 |
| F-CRCL-226018-RC | 1953 | 22 | 60 | 18 | 67.89 | 13.75 |
| F-CRCL-226618-RC | 2019 | 22 | 66 | 18 | 74.67 | 15.13 |
| F-CRCL-227218-RC | 2122 | 22 | 72 | 18 | 81.46 | 16.5 |



Scene Pricebook
January 2026
Cabinets

4 door laminate

| | |
|------------------------|----|
| <u>4 door laminate</u> | 78 |
| <u>4 door acrylic</u> | 79 |
| <u>2 door laminate</u> | 80 |
| <u>2 door acrylic</u> | 81 |



What's Included:

4 door cabinet and keys for locks.

How to Specify:

Body refers to the top, side and back panels of the 4 door cabinet.

Face refers to the drawer front of the 4 door cabinet.

Drawer handles are finished in silver, black or white powder coat.

4 door cabinet can be keyed alike or keyed randomly for a workstation.

Lock is available in satin silver metal only.

Notes:

4 door cabinet is available in 60" 66" & 72" widths.

Metal handles on the drawers are standard.

Four levelers with a leveling range of 2.5-inches are included.

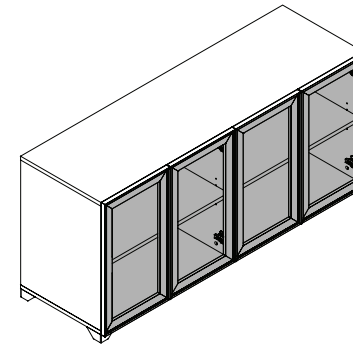
Options:

| | | | |
|-----------------|--|----------------|--|
| Width | 60", 66", 72" | | |
| Drawer position | L left | R right | |
| Body Laminate | laminate color | | |
| Face Laminate | laminate color | | |
| Handle Color | Refer to metal paint card for metal paint colors | | |
| Foot Color | Refer to metal paint card for metal paint colors | | |

How to Order and Read your Code:

F **CROH** **28** **30** **18**
 product line item height width depth

| Code | Price | H (in.) | W (in.) | D 1 (in.) | Weight (lb) | Volume (ft ³) |
|---------------|-------|---------|---------|-----------|-------------|---------------------------|
| F-FS4L-286018 | 2188 | 28 | 60 | 18 | 100.8 | 17.5 |
| F-FS4L-286618 | 2276 | 28 | 66 | 18 | 105.8 | 19.25 |
| F-FS4L-287218 | 2362 | 28 | 72 | 18 | 120.96 | 21 |



What's Included:

4 door cabinet with acrylic doors.

How to Specify:

Body refers to the top, side and back panels of the 4 door cabinet.

Notes:

4 door cabinet is available in 60", 66" & 72" widths.

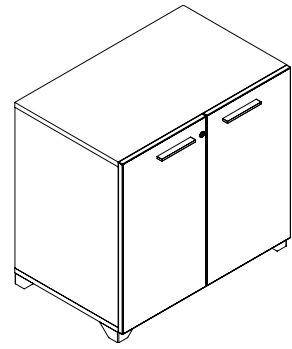
Doors are available in frost acrylic

Four levelers with a leveling range of 2.5-inches are included.

Options:

| | | | |
|---------------|--|--|--|
| Width | 60", 66", 72" | | |
| Depth | 18" | | |
| Body Laminate | laminate color | | |
| Acrylic doors | F frosted | | |
| Foot Color | Refer to metal paint card for metal paint colors | | |

| Code | Price | H (in.) | W (in.) | D 1 (in.) | Weight (lb) | Volume (ft ³) |
|-----------------|-------|---------|---------|-----------|-------------|---------------------------|
| F-FS4G-286018-F | 3920 | 28 | 60 | 18 | 100.8 | 17.5 |
| F-FS4G-286618-F | 4069 | 28 | 66 | 18 | 105.8 | 19.25 |
| F-FS4G-287218-F | 4220 | 28 | 72 | 18 | 120.96 | 21 |



What's Included:

2 door cabinet and keys for lock.

How to Specify:

Body refers to the top, side and back panels of the 2 door cabinet.

Face refers to the drawer front of the 2 door cabinet.

Drawer handles are finished in silver, black or white powder coat.

2 door cabinet can be keyed alike or keyed randomly for a workstation.

Lock is available in satin silver metal only.

Notes:

2 door cabinet is available in 30", 36" & 42" widths.

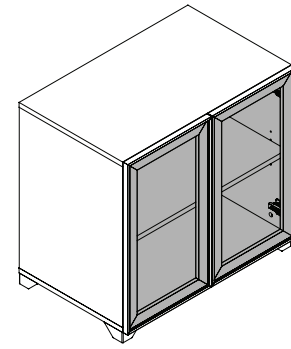
Metal handles on the drawers are standard.

Four levelers with a leveling range of 2.5-inches are included.

Options:

| | | |
|-----------------|--|----------------|
| Width | 30", 36", 42" | |
| Drawer position | L left | R right |
| Body Laminate | laminate color | |
| Face Laminate | laminate color | |
| Handle Color | Refer to metal paint card for metal paint colors | |
| Foot Color | Refer to metal paint card for metal paint colors | |

| Code | Price | H (in.) | W (in.) | D 1 (in.) | Weight (lb) | Volume (ft ³) |
|---------------|-------|---------|---------|-----------|-------------|---------------------------|
| F-FS2L-283018 | 1319 | 28 | 30 | 18 | 50.4 | 8.75 |
| F-FS2L-283618 | 1421 | 28 | 36 | 18 | 60.48 | 10.5 |
| F-FS2L-284218 | 1528 | 28 | 42 | 18 | 70.56 | 12.25 |



What's Included:

2 door cabinet with acrylic doors.

How to Specify:

Body refers to the top, side and back panels of the 2 door cabinet.

Notes:

2 door cabinet is available in 30", 36" & 42" widths.

Doors are available in frost acrylic

Four levelers with a leveling range of 2.5-inches are included.

Options:

| | |
|---------------|--|
| Width | 30", 36", 42" |
| Acrylic doors | F frosted |
| Body Laminate | laminate color |
| Foot Color | Refer to metal paint card for metal paint colors |

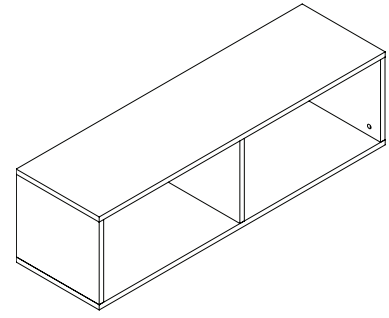
| Code | Price | H (in.) | W (in.) | D 1 (in.) | Weight (lb) | Volume (ft ³) |
|-----------------|-------|---------|---------|-----------|-------------|---------------------------|
| F-FS2G-283018-F | 2181 | 28 | 30 | 18 | 50.4 | 8.75 |
| F-FS2G-283618-F | 2350 | 28 | 36 | 18 | 60.48 | 10.5 |
| F-FS2G-284218-F | 2515 | 28 | 42 | 18 | 70.56 | 12.25 |



Scene Pricebook
January 2026
Flag Storage

flag storage

| | |
|--------------------------------|----|
| <u>open shelf</u> | 84 |
| <u>shared open shelf</u> | 86 |
| <u>left side flag storage</u> | 87 |
| <u>right side flag storage</u> | 88 |



What's Included:

Open cabinet(1)

How to Specify:

Body refers to the top, side and back panels of the 4 door cabinet.

Face refers to the drawer front of the 4 door cabinet.

Drawer handles are finished in silver, black or white powder coat.

Feet are finished in silver, black or white powder coat.

4 door cabinet can be keyed alike or keyed randomly for a workstation.

Body refers to the top, side and back panels of the flag storage.

Notes:

Flag storage is available in 48", 54", 60", 66" & 72" widths.

Flag storage backing is available in solid laminate, frosted and tackboard.

Open shelf provides storage space for books, binders, and boxes.

Options:

Width 60", 66", 72"

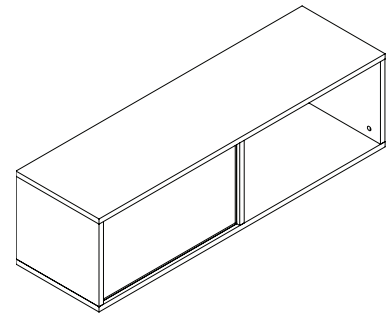
Body Laminate laminate color

Shelf backing **S** solid **F** frosted **T** tackboard

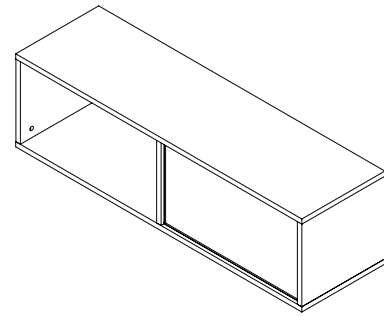
How to Order and Read your Code:

F **FS00** **14** **60** **14** **X**
 product line item height width depth shelf backing

| Code | Price | H (in.) | W (in.) | D 1 (in.) | Weight (lb) | Volume (ft ³) |
|-----------------|-------|---------|---------|-----------|-------------|---------------------------|
| solid | | | | | | |
| F-SFOO-144814-S | 653 | 14 | 48 | 14 | 31.36 | 5.44 |
| F-SFOO-145414-S | 699 | 14 | 54 | 14 | 35.28 | 6.13 |
| F-SFOO-146014-S | 743 | 14 | 60 | 14 | 39.2 | 6.81 |
| F-SFOO-146614-S | 788 | 14 | 66 | 14 | 43.12 | 7.49 |
| F-SFOO-147214-S | 834 | 14 | 72 | 14 | 47.04 | 8.17 |
| frosted acrylic | | | | | | |
| F-SFOO-144814-F | 849 | 14 | 48 | 14 | 31.36 | 5.44 |
| F-SFOO-145414-F | 923 | 14 | 54 | 14 | 35.28 | 6.13 |
| F-SFOO-146014-F | 993 | 14 | 60 | 14 | 39.2 | 6.81 |
| F-SFOO-146614-F | 1065 | 14 | 66 | 14 | 43.12 | 7.49 |
| F-SFOO-147214-F | 1138 | 14 | 72 | 14 | 47.04 | 8.17 |
| tackboard | | | | | | |
| F-SFOO-144814-T | 844 | 14 | 48 | 14 | 31.36 | 5.44 |
| F-SFOO-145414-T | 906 | 14 | 54 | 14 | 35.28 | 6.13 |
| F-SFOO-146014-T | 967 | 14 | 60 | 14 | 39.2 | 6.81 |
| F-SFOO-146614-T | 1031 | 14 | 66 | 14 | 43.12 | 7.49 |
| F-SFOO-147214-T | 1090 | 14 | 72 | 14 | 47.04 | 8.17 |



right side open - SFSO



left side open - SFOS

What's Included:

Open cabinet(1)

How to Specify:

Body refers to the top, side and back panels of the flag storage.

Notes:

Flag storage is available in 48", 54", 60", 66" & 72" widths.

Flag storage backing is available in solid laminate, frosted acrylic and tackboard.

Open shelf provides storage space for books, binders, and boxes.

Options:

| | | |
|-----------------|-------------------------|-------------------------------------|
| Open shelf side | OS left | SO right |
| Width | 48", 54", 60", 66", 72" | |
| Body Laminate | laminate color | |
| Shared backing | S solid | F frosted T tackboard |

left side flag storage

| Code | Price | H (in.) | W (in.) | D 1 (in.) | Weight (lb) | Volume (ft ³) |
|-----------------|-------|---------|---------|-----------|-------------|---------------------------|
| solid | | | | | | |
| F-SFSO-144814-S | 686 | 14 | 48 | 14 | 31.36 | 5.44 |
| F-SFSO-145414-S | 730 | 14 | 54 | 14 | 35.28 | 6.13 |
| F-SFSO-146014-S | 780 | 14 | 60 | 14 | 39.2 | 6.81 |
| F-SFSO-146614-S | 821 | 14 | 66 | 14 | 43.12 | 7.49 |
| F-SFSO-147214-S | 870 | 14 | 72 | 14 | 47.04 | 8.17 |
| frosted acrylic | | | | | | |
| F-SFSO-144814-F | 879 | 14 | 48 | 14 | 31.36 | 5.44 |
| F-SFSO-145414-F | 947 | 14 | 54 | 14 | 35.28 | 6.13 |
| F-SFSO-146014-F | 1022 | 14 | 60 | 14 | 39.2 | 6.81 |
| F-SFSO-146614-F | 1090 | 14 | 66 | 14 | 43.12 | 7.49 |
| F-SFSO-147214-F | 1164 | 14 | 72 | 14 | 47.04 | 8.17 |
| tackboard | | | | | | |
| F-SFSO-144814-T | 950 | 14 | 48 | 14 | 31.36 | 5.44 |
| F-SFSO-145414-T | 1009 | 14 | 54 | 14 | 35.28 | 6.13 |
| F-SFSO-146014-T | 1074 | 14 | 60 | 14 | 39.2 | 6.81 |
| F-SFSO-146614-T | 1138 | 14 | 66 | 14 | 43.12 | 7.49 |
| F-SFSO-147214-T | 1199 | 14 | 72 | 14 | 47.04 | 8.17 |

right side flag storage

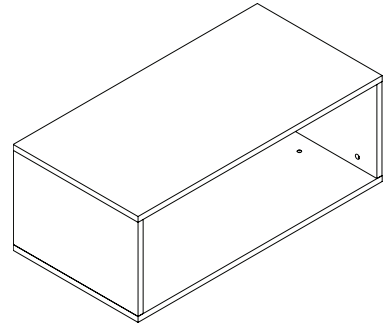
| Code | Price | H (in.) | W (in.) | D 1 (in.) | Weight (lb) | Volume (ft ³) |
|-----------------|-------|---------|---------|-----------|-------------|---------------------------|
| solid | | | | | | |
| F-SFOS-144814-S | 686 | 14 | 48 | 14 | 31.36 | 5.44 |
| F-SFOS-145414-S | 730 | 14 | 54 | 14 | 35.28 | 6.13 |
| F-SFOS-146014-S | 780 | 14 | 60 | 14 | 39.2 | 6.81 |
| F-SFOS-146614-S | 821 | 14 | 66 | 14 | 43.12 | 7.49 |
| F-SFOS-147214-S | 870 | 14 | 72 | 14 | 47.04 | 8.17 |
| frosted acrylic | | | | | | |
| F-SFOS-144814-F | 879 | 14 | 48 | 14 | 31.36 | 5.44 |
| F-SFOS-145414-F | 947 | 14 | 54 | 14 | 35.28 | 6.13 |
| F-SFOS-146014-F | 1022 | 14 | 60 | 14 | 39.2 | 6.81 |
| F-SFOS-146614-F | 1090 | 14 | 66 | 14 | 43.12 | 7.49 |
| F-SFOS-147214-F | 1164 | 14 | 72 | 14 | 47.04 | 8.17 |
| tackboard | | | | | | |
| F-SFOS-144814-T | 950 | 14 | 48 | 14 | 31.36 | 5.44 |
| F-SFOS-145414-T | 1009 | 14 | 54 | 14 | 35.28 | 6.13 |
| F-SFOS-146014-T | 1074 | 14 | 60 | 14 | 39.2 | 6.81 |
| F-SFOS-146614-T | 1138 | 14 | 66 | 14 | 43.12 | 7.49 |
| F-SFOS-147214-T | 1199 | 14 | 72 | 14 | 47.04 | 8.17 |



Scene Pricebook
January 2026
**Credenza Mount
Storage**

credenza mount storage

| | |
|---|-----|
| <u>single level - open shelf</u> | 92 |
| <u>double level - open shelf</u> | 94 |
| <u>double level - open shelf/hinged door</u> | 95 |
| <u>double level - open shelf/frost door</u> | 96 |
| <u>double level - frost acrylic hinged door</u> | 98 |
| <u>double level - hinged door</u> | 100 |



What's Included:

single level credenza mounted open shelf (1)

How to Specify:

Body refers to the top, side and back panels of the single level credenza mounted open shelf storage.

Notes:

Credenza mounted storage is available in 36", 48", 54", 60", 66" & 72" widths.

Credenza mounted storage backing is available in solid laminate and tackboard.

Open shelf provides storage space for books, binders, and boxes

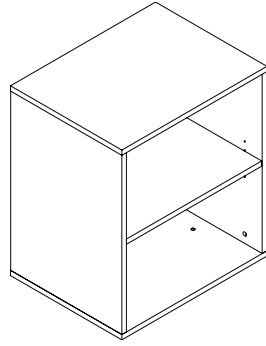
Options:

| | | | |
|---------------|-----------------------------------|------------------|--------------------|
| Width | 36", 42", 48", 54", 60", 66", 72" | | |
| Backing | S solid | F frosted | T tackboard |
| Body Laminate | laminate color | | |

How to Order and Read your Code:

| | | | | | |
|--------------|-------------|-----------|-----------|-----------|----------|
| F | CSOO | 14 | 60 | 18 | X |
| product line | item | height | width | depth | backing |

| Code | Price | H (in.) | W (in.) | D 1 (in.) | Weight (lb) | Volume (ft³) | Code | Price | H (in.) | W (in.) | D 1 (in.) | Weight (lb) | Volume (ft³) |
|------------------------|-------|---------|---------|-----------|-------------|--------------|------------------|-------|---------|---------|-----------|-------------|--------------|
| solid | | | | | | | tackboard | | | | | | |
| F-CSOO-143618-S | 517 | 14 | 36 | 18 | 30.24 | 5.25 | F-CSOO-143618-T | 677 | 14 | 36 | 18 | 30.24 | 5.25 |
| F-CSOO-144218-S | 629 | 14 | 42 | 18 | 35.28 | 6.13 | F-CSOO-144218-T | 806 | 14 | 42 | 18 | 35.28 | 6.13 |
| F-CSOO-144818-S | 674 | 14 | 48 | 18 | 40.32 | 7 | F-CSOO-144818-T | 864 | 14 | 48 | 18 | 40.32 | 7 |
| F-CSOO-145418-S | 719 | 14 | 54 | 18 | 45.36 | 7.88 | F-CSOO-145418-T | 930 | 14 | 54 | 18 | 45.36 | 7.88 |
| F-CSOO-146018-S | 764 | 14 | 60 | 18 | 50.4 | 8.75 | F-CSOO-146018-T | 992 | 14 | 60 | 18 | 50.4 | 8.75 |
| F-CSOO-146618-S | 813 | 14 | 66 | 18 | 55.44 | 9.63 | F-CSOO-146618-T | 1054 | 14 | 66 | 18 | 55.44 | 9.63 |
| F-CSOO-147218-S | 859 | 14 | 72 | 18 | 60.48 | 10.5 | F-CSOO-147218-T | 1119 | 14 | 72 | 18 | 60.48 | 10.5 |
| frosted acrylic | | | | | | | | | | | | | |
| F-CSOO-143618-F | 662 | 14 | 36 | 18 | 30.24 | 5.25 | | | | | | | |
| F-CSOO-144218-F | 804 | 14 | 42 | 18 | 35.28 | 6.13 | | | | | | | |
| F-CSOO-144818-F | 877 | 14 | 48 | 18 | 40.32 | 7 | | | | | | | |
| F-CSOO-145418-F | 946 | 14 | 54 | 18 | 45.36 | 7.88 | | | | | | | |
| F-CSOO-146018-F | 1020 | 14 | 60 | 18 | 50.4 | 8.75 | | | | | | | |
| F-CSOO-146618-F | 1089 | 14 | 66 | 18 | 55.44 | 9.63 | | | | | | | |
| F-CSOO-147218-F | 1163 | 14 | 72 | 18 | 60.48 | 10.5 | | | | | | | |



What's Included:

Double level cabinet (1)

How to Specify:

Body refers to the top, side and back panels of the double level cabinet.

Options:

Width 24", 30", 36", 42", 48"

Backing **S** solid **T** tackboard

Body Laminate laminate color

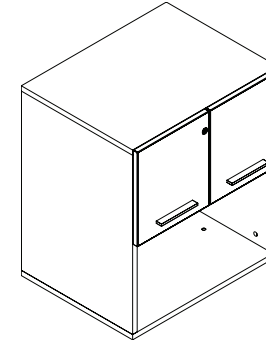
Notes:

Double level cabinet is available in 24", 30", 36", 42" & 48" widths.

Double level cabinet backing is available in solid laminate and tackboard.

Open shelf provides storage space for books, binders, and boxes.

| Code | Price | H (in.) | W (in.) | D 1 (in.) | Weight (lb) | Volume (ft ³) |
|------------------|-------|---------|---------|-----------|-------------|---------------------------|
| solid | | | | | | |
| F-CDOO-272418-S | 634 | 27 | 24 | 18 | 33.33 | 6.75 |
| F-CDOO-273018-S | 705 | 27 | 30 | 18 | 41.66 | 8.44 |
| F-CDOO-273618-S | 776 | 27 | 36 | 18 | 49.99 | 10.13 |
| F-CDOO-274218-S | 845 | 27 | 42 | 18 | 58.32 | 11.81 |
| F-CDOO-274818-S | 907 | 27 | 48 | 18 | 66.65 | 13.5 |
| Tackboard | | | | | | |
| F-CDOO-272418-T | 812 | 27 | 24 | 18 | 33.33 | 6.75 |
| F-CDOO-273018-T | 907 | 27 | 30 | 18 | 41.66 | 8.44 |
| F-CDOO-273618-T | 1002 | 27 | 36 | 18 | 49.99 | 10.13 |
| F-CDOO-274218-T | 1095 | 27 | 42 | 18 | 58.32 | 11.81 |



What's Included:

Double level cabinet with hinged doors and an open bottom shelf(1), and keys for lock.

How to Specify:

Body refers to the top, side and back panels of the double level cabinet.

Face refers to the door front of the double level cabinet

Drawer handles are finished in silver, black or white powder coat.

Double level cabinet with hinged doors can be keyed alike or keyed randomly for a workstation.

Lock is available in satin silver metal only.

Options:

Width 24", 30", 36", 42"

Handle Color **H112** silver **H121** white **H122** black

Backing **S** solid **T** tackboard

Body Laminate laminate color

Face Laminate laminate color

Notes:

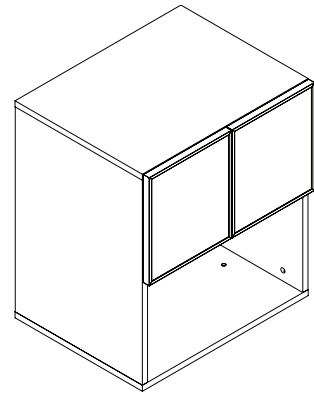
Double level cabinet is available in 24", 30", 36" & 42" widths.

Double level cabinet backing is available in solid laminate and tackboard.

Open shelf provides storage space for books, binders, and boxes.

Metal handles on the drawers are standard.

| Code | Price | H (in.) | W (in.) | D 1 (in.) | Weight (lb) | Volume (ft ³) |
|------------------|-------|---------|---------|-----------|-------------|---------------------------|
| solid | | | | | | |
| F-CDDS-272418-S | 1022 | 27 | 24 | 18 | 33.33 | 6.75 |
| F-CDDS-273018-S | 1104 | 27 | 30 | 18 | 41.66 | 8.44 |
| F-CDDS-273618-S | 1187 | 27 | 36 | 18 | 49.99 | 10.13 |
| F-CDDS-274218-S | 1272 | 27 | 42 | 18 | 58.32 | 11.81 |
| Tackboard | | | | | | |
| F-CDDS-272418-T | 1114 | 27 | 24 | 18 | 33.33 | 6.75 |
| F-CDDS-273018-T | 1223 | 27 | 30 | 18 | 41.66 | 8.44 |
| F-CDDS-273618-T | 1330 | 27 | 36 | 18 | 49.99 | 10.13 |
| F-CDDS-274218-T | 1443 | 27 | 42 | 18 | 58.32 | 11.81 |



What's Included:

Double level cabinet with acrylic hinged doors and an open bottom shelf (1)

How to Specify:

Body refers to the top, side and back panels of the double level cabinet.

Notes:

Double level cabinet is available in 24", 30", 36" & 42" widths.

Double level cabinet backing is available in solid laminate and tackboard.

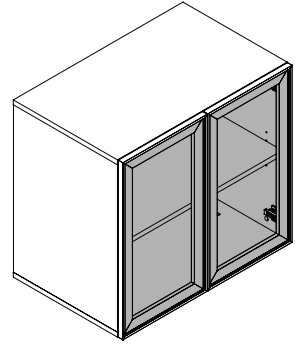
Doors are available in frost acrylic

Open shelf provides storage space for books, binders, and boxes.

Options:

| | |
|----------------------|-----------------------------------|
| Acrylic sliding door | F frosted |
| Width | 24", 30", 36", 42" |
| Depth | 18" |
| Backing | S solid T tackboard |
| Body Laminate | laminate color |

| Code | Price | H (in.) | W (in.) | D 1 (in.) | Weight (lb) | Volume (ft ³) |
|---|-------|---------|---------|-----------|-------------|---------------------------|
| double level - open shelf/frost door | | | | | | |
| solid | | | | | | |
| F-CDDF-272418-S | 1770 | 27 | 24 | 18 | 33.33 | 6.75 |
| F-CDDF-273018-S | 1900 | 27 | 30 | 18 | 41.66 | 8.44 |
| F-CDDF-273618-S | 2039 | 27 | 36 | 18 | 49.99 | 10.13 |
| F-CDDF-274218-S | 2173 | 27 | 42 | 18 | 58.32 | 11.81 |
| tackboard | | | | | | |
| F-CDDF-272418-T | 1948 | 27 | 24 | 18 | 33.33 | 6.75 |
| F-CDDF-273018-T | 2107 | 27 | 30 | 18 | 41.66 | 8.44 |
| F-CDDF-273618-T | 2266 | 27 | 36 | 18 | 49.99 | 10.13 |
| F-CDDF-274218-T | 2422 | 27 | 42 | 18 | 58.32 | 11.81 |



What's Included:

Double level cabinet with acrylic hinged doors(1)

How to Specify:

Body refers to the top, side and back panels of the double level cabinet.

Notes:

Double level cabinet is available in 30", 36", 42" & 48" widths.

Double level cabinet backing is available in solid laminate and tackboard.

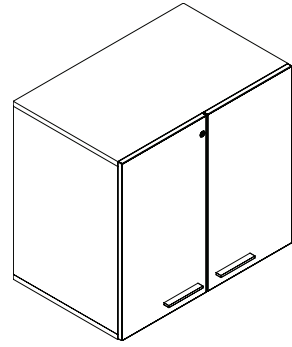
Doors are available in frost acrylic

Metal handles on the drawers are standard.

Options:

| | |
|----------------------|-----------------------------------|
| Acrylic sliding door | F frosted |
| Width | 24", 30", 36", 42" |
| Depth | 18" |
| Backing | S solid T tackboard |
| Body Laminate | laminate color |

| Code | Price | H (in.) | W (in.) | D 1 (in.) | Weight (lb) | Volume (ft ³) |
|---|-------|---------|---------|-----------|-------------|---------------------------|
| double level - frost acrylic hinged door | | | | | | |
| solid | | | | | | |
| F-CDHF-273018-S | 2209 | 27 | 30 | 18 | 38.88 | 8.44 |
| F-CDHF-273618-S | 2381 | 27 | 36 | 18 | 46.66 | 10.13 |
| F-CDHF-274218-S | 2551 | 27 | 42 | 18 | 54.43 | 11.81 |
| F-CDHF-274818-S | 2716 | 27 | 48 | 18 | 62.21 | 13.5 |
| tackboard | | | | | | |
| F-CDHF-273018-T | 2413 | 27 | 30 | 18 | 38.88 | 8.44 |
| F-CDHF-273018-T | 2413 | 27 | 30 | 18 | 46.66 | 10.13 |
| F-CDHF-273018-T | 2413 | 27 | 30 | 18 | 54.43 | 11.81 |
| F-CDHF-273018-T | 2413 | 27 | 30 | 18 | 62.21 | 13.5 |



What's Included:

Double level cabinet with hinged doors(1), and keys for lock.

How to Specify:

Body refers to the top, side and back panels of the double level cabinet.

Face refers to the door front of the double level cabinet.

Drawer handles are finished in silver, black or white powder coat.

Double level cabinet with hinged doors can be keyed alike or keyed randomly for a workstation.

Lock is available in satin silver metal only.

Options:

| | | | |
|---------------|--------------------|--------------------|-------------------|
| Width | 30", 36", 42", 48" | | |
| Backing | S solid | T tackboard | |
| Body Laminate | laminate color | | |
| Face Laminate | laminate color | | |
| Handle Color | H112 silver | H121 white | H122 black |

Notes:

Double level cabinet is available in 30", 36", 42" & 48" widths.

Double level cabinet backing is available in solid laminate and tackboard.

Metal handles on the drawers are standard.

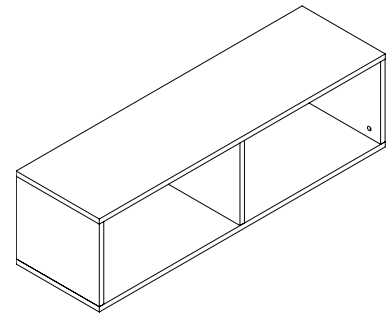
| Code | Price | H (in.) | W (in.) | D 1 (in.) | Weight (lb) | Volume (ft ³) |
|------------------|-------|---------|---------|-----------|-------------|---------------------------|
| solid | | | | | | |
| F-CDHS-273018-S | 1172 | 27 | 30 | 18 | 38.88 | 8.44 |
| F-CDHS-273618-S | 1269 | 27 | 36 | 18 | 46.66 | 10.13 |
| F-CDHS-274218-S | 1360 | 27 | 42 | 18 | 54.43 | 11.81 |
| F-CDHS-274818-S | 1446 | 27 | 48 | 18 | 62.21 | 13.5 |
| Tackboard | | | | | | |
| F-CDHS-273618-T | 1408 | 27 | 36 | 18 | 38.88 | 8.44 |
| F-CDHS-274218-T | 1528 | 27 | 42 | 18 | 46.66 | 10.13 |
| F-CDHS-274818-T | 1630 | 27 | 48 | 18 | 54.43 | 11.81 |
| F-CDHS-273018-T | 1293 | 27 | 30 | 18 | 62.21 | 13.5 |



Scene Pricebook
January 2026
**Wall Mounted
Storage**

wall mounted storage

| | |
|--|-----|
| <u>open shelf</u> | 104 |
| <u>hinged door hutch</u> | 105 |
| <u>frost acrylic hinged door hutch</u> | 106 |



What's Included:

Wall mounted open shelf (1)

How to Specify:

Body refers to the top, side and back panels of the wall mounted open shelf.

Notes:

Wall mounted storage is available in 36", 48", 54", 60", 66" & 72" widths.

Open shelf provides storage space for books, binders, and boxes.

Options:

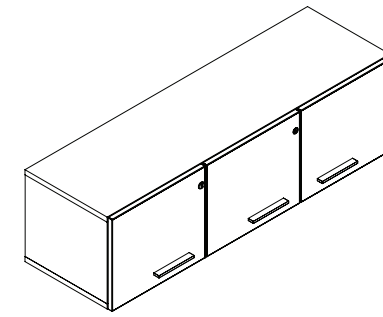
Width 36", 42", 48", 54", 60", 66", 72"

Body Laminate laminate color

How to Order and Read your Code:

F **SWOO** **14** **54** **14** **S**
 product line item height width depth back

| Code | Price | H (in.) | W (in.) | D 1 (in.) | Weight (lb) | Volume (ft ³) |
|-----------------|-------|---------|---------|-----------|-------------|---------------------------|
| F-SWOO-143614-S | 570 | 14 | 36 | 14 | 21.6 | 4.08 |
| F-SWOO-144214-S | 625 | 14 | 42 | 14 | 25.2 | 4.76 |
| F-SWOO-144814-S | 730 | 14 | 48 | 14 | 28.8 | 5.44 |
| F-SWOO-145414-S | 786 | 14 | 54 | 14 | 32.4 | 6.13 |
| F-SWOO-146014-S | 838 | 14 | 60 | 14 | 36 | 6.81 |
| F-SWOO-146614-S | 891 | 14 | 66 | 14 | 39.6 | 7.49 |
| F-SWOO-147214-S | 944 | 14 | 72 | 14 | 43.2 | 8.17 |



What's Included:

Wall mounted shelf with hinged doors (1), and keys for lock.

How to Specify:

Body refers to the top, side and back panels of the wall mounted storage.

Face refers to the door front of the all mounted storage.

Notes:

Wall mounted storage is available in 36", 48", 54", 60", 66" & 72" widths.

Metal handles on the drawers are standard.

Options:

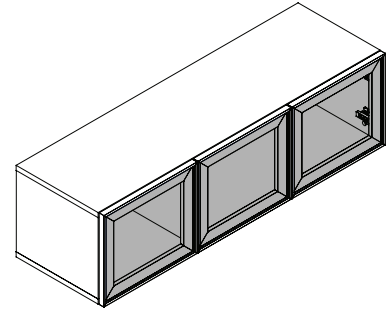
Width 36", 42", 48", 54", 60", 66", 72"

Body Laminate laminate color

Face Laminate laminate color

Handle Color **H112** silver **H121** white **H122** black

| Code | Price | H (in.) | W (in.) | D 1 (in.) | Weight (lb) | Volume (ft ³) |
|-----------------|-------|---------|---------|-----------|-------------|---------------------------|
| F-SWHS-143614-S | 900 | 14 | 36 | 14 | 21.6 | 4.08 |
| F-SWHS-144214-S | 967 | 14 | 42 | 14 | 25.2 | 4.76 |
| F-SWHS-144814-S | 1232 | 14 | 48 | 14 | 28.8 | 5.44 |
| F-SWHS-145414-S | 1303 | 14 | 54 | 14 | 32.4 | 6.13 |
| F-SWHS-146014-S | 1528 | 14 | 60 | 14 | 36 | 6.81 |
| F-SWHS-146614-S | 1596 | 14 | 66 | 14 | 39.6 | 7.49 |
| F-SWHS-147214-S | 1663 | 14 | 72 | 14 | 43.2 | 8.17 |



What's Included:

Wall mounted shelf with hinged doors (1)

How to Specify:

Body refers to the top, side and back panels of the wall mounted open storage.

Notes:

Wall mounted storage is available in 36", 48", 54", 60", 66" & 72" widths.

Doors are available in frost and spider acrylic\

Options:

| | |
|---------------------|------------------------------|
| Acrylic hinged door | F frosted |
| Width | 36", 48", 54", 60", 66", 72" |
| Body Laminate | laminate color |
| Face laminate | laminate color |

| Code | Price | H (in.) | W (in.) | D 1 (in.) | Weight (lb) | Volume (ft ³) |
|-----------------|-------|---------|---------|-----------|-------------|---------------------------|
| F-SWHF-143614-S | 1850 | 14 | 36 | 14 | 21.6 | 4.08 |
| F-SWHF-144214-S | 1970 | 14 | 42 | 14 | 25.2 | 4.76 |
| F-SWHF-144814-S | 2590 | 14 | 48 | 14 | 28.8 | 5.44 |
| F-SWHF-145414-S | 2709 | 14 | 54 | 14 | 32.4 | 6.13 |
| F-SWHF-146014-S | 3328 | 14 | 60 | 14 | 36 | 6.81 |
| F-SWHF-146614-S | 3449 | 14 | 66 | 14 | 39.6 | 7.49 |
| F-SWHF-147214-S | 3566 | 14 | 72 | 14 | 43.2 | 8.17 |

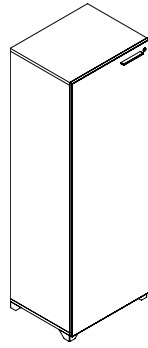


Scene Pricebook
January 2026

Towers

tower

| | |
|--|-----|
| <u>closet</u> | 110 |
| <u>acrylic door closet</u> | 111 |
| <u>storage</u> | 112 |
| <u>acrylic door storage</u> | 114 |
| <u>combo storage - closet / cabinet</u> | 116 |
| <u>acrylic door cabinet / combo storage - closet</u> | 117 |
| <u>combo storage - closet / BBF / cabinet</u> | 118 |
| <u>acrylic door cabinet / BBF / combo storage - closet</u> | 119 |
| <u>combo storage - closet / FF / cabinet</u> | 120 |
| <u>combo storage - closet / FF / acrylic door cabinet</u> | 122 |



left hand shown

What's Included:

Tower closet with hinged door and keys for lock.

How to Specify:

Body refers to the top, side and back panels of the tower closet.

Face refers to the door front of the tower closet.

Closet can be keyed alike or keyed randomly for a workstation.

Lock is available in satin silver metal only.

Refer to metal paint card for metal paint colors.

Notes:

Tower closet is available in 56" & 70" heights.

Tower closet is available in 18" & 24" depths.

Metal handles on the drawers are standard.

Four levelers with a leveling range of 2.5-inches are included.

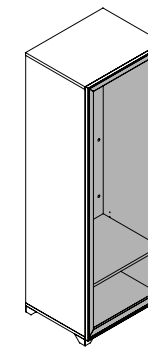
Options:

| | |
|------------------|--|
| Height | 56", 70" |
| Depth | 18", 24" |
| Door hinged side | L left R right |
| Body Laminate | laminate color |
| Face Laminate | laminate color |
| Handle Color | Refer to metal paint card for metal paint colors |

How to Order and Read your Code:

F **FTCS** **54** **24** **18** **L**
 product line item height width depth door hinged side

| Code | Price | H (in.) | W (in.) | D 1 (in.) | Weight (lb) | Volume (ft ³) |
|-----------------|-------|---------|---------|-----------|-------------|---------------------------|
| F-FTCF-562418-L | 2649 | 56 | 24 | 18 | 40.32 | 14 |
| F-FTCF-562418-R | 2649 | 56 | 24 | 18 | 40.32 | 14 |
| F-FTCF-562424-L | 2654 | 56 | 24 | 24 | 53.76 | 18.67 |
| F-FTCF-562424-R | 2654 | 56 | 24 | 24 | 53.76 | 18.67 |
| F-FTCF-702418-L | 2976 | 70 | 24 | 18 | 50.4 | 17.5 |
| F-FTCF-702418-R | 2976 | 70 | 24 | 18 | 50.4 | 17.5 |
| F-FTCF-702424-L | 2992 | 70 | 24 | 24 | 67.2 | 23.33 |
| F-FTCF-702424-R | 2992 | 70 | 24 | 24 | 67.2 | 23.33 |



left hand shown

What's Included:

Tower closet with acrylic hinged door

How to Specify:

Body refers to the top, side and back panels of the tower closet.

Tower closet can be keyed alike or keyed randomly for a workstation.

Lock is available in satin silver metal only.

Refer to metal paint card for metal paint colors

Notes:

Tower closet is available in 56" & 70" heights.

Tower closet is available in 18" & 24" depths.

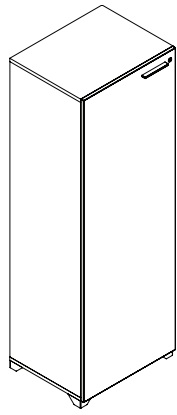
Door is available in frost acrylic

Four levelers with a leveling range of 2.5-inches are included.

Options:

| | |
|------------------|------------------------------|
| Acrylic door | F frosted |
| Height | 56", 70" |
| Depth | 18", 24" |
| Door hinged side | L left R right |
| Body Laminate | laminate color |
| Face Laminate | laminate color |

| Code | Price | H (in.) | W (in.) | D 1 (in.) | Weight (lb) | Volume (ft ³) |
|-----------------|-------|---------|---------|-----------|-------------|---------------------------|
| F-FTCS-562418-L | 1696 | 56 | 24 | 18 | 40.32 | 14 |
| F-FTCS-562418-R | 1696 | 56 | 24 | 18 | 40.32 | 14 |
| F-FTCS-562424-L | 1698 | 56 | 24 | 24 | 53.76 | 18.67 |
| F-FTCS-562424-R | 1698 | 56 | 24 | 24 | 53.76 | 18.67 |
| F-FTCS-702418-L | 1867 | 70 | 24 | 18 | 50.4 | 17.5 |
| F-FTCS-702418-R | 1867 | 70 | 24 | 18 | 50.4 | 17.5 |
| F-FTCS-702424-L | 1880 | 70 | 24 | 24 | 67.2 | 23.33 |
| F-FTCS-702424-R | 1880 | 70 | 24 | 24 | 67.2 | 23.33 |



left hand shown

What's Included:

Tower storage with hinged door and keys for lock.

How to Specify:

Body refers to the top, side and back panels of the storage tower.

Face refers to the door front of the storage tower.

Tower storage can be keyed alike or keyed randomly for a workstation.

Lock is available in satin silver metal only.

Refer to metal paint card for metal paint colors.

Notes:

Tower storage is available in 56" & 70" heights.

Tower storage is available in 18" & 24" widths.

Tower storage is available in 18" & 24" depths.

Metal handles on the drawers are standard.

Four levelers with a leveling range of 2.5-inches are included.

Options:

Height 56", 70"

Width 18", 24"

Depth 18", 24"

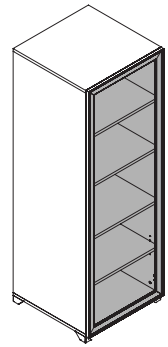
Door hinged side **L** left **R** right

Body Laminate laminate color

Face Laminate laminate color

Handle Color Refer to metal paint card for metal paint colors

| Code | Price | H (in.) | W (in.) | D 1 (in.) | Weight (lb) | Volume (ft ³) |
|-----------------|-------|---------|---------|-----------|-------------|---------------------------|
| F-FTSS-561818-L | 1574 | 56 | 18 | 18 | 36.29 | 10.5 |
| F-FTSS-561818-R | 1574 | 56 | 18 | 18 | 36.29 | 10.5 |
| F-FTSS-561824-L | 1690 | 56 | 18 | 24 | 48.38 | 14 |
| F-FTSS-561824-R | 1690 | 56 | 18 | 24 | 48.38 | 14 |
| F-FTSS-562418-L | 1735 | 56 | 24 | 18 | 48.38 | 14 |
| F-FTSS-562418-R | 1735 | 56 | 24 | 18 | 48.38 | 14 |
| F-FTSS-562424-L | 1865 | 56 | 24 | 24 | 64.51 | 18.67 |
| F-FTSS-562424-R | 1865 | 56 | 24 | 24 | 64.51 | 18.67 |
| F-FTSS-701818-L | 1797 | 70 | 18 | 18 | 45.36 | 13.13 |
| F-FTSS-701818-R | 1797 | 70 | 18 | 18 | 45.36 | 13.13 |
| F-FTSS-701824-L | 1934 | 70 | 18 | 24 | 60.48 | 17.5 |
| F-FTSS-701824-R | 1934 | 70 | 18 | 24 | 60.48 | 17.5 |
| F-FTSS-702418-L | 1988 | 70 | 24 | 18 | 60.48 | 17.5 |
| F-FTSS-702418-R | 1988 | 70 | 24 | 18 | 60.48 | 17.5 |
| F-FTSS-702424-L | 2144 | 70 | 24 | 24 | 80.64 | 23.33 |
| F-FTSS-702424-R | 2144 | 70 | 24 | 24 | 80.64 | 23.33 |



left hand shown

What's Included:

Tower storage with acrylic hinged door.

How to Specify:

Body refers to the top, side and back panels of the tower closet.

Refer to metal paint card for metal paint colors.

Notes:

Tower storage is available in 56" & 70" heights.

Tower storage is available in 18" & 24" depths.

Door is available in frost acrylic

Four levelers with a leveling range of 2.5-inches are included.

Options:

Acrylic door **F** frosted

Height 56", 70"

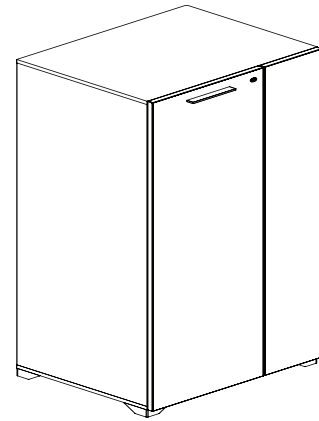
Depth 18", 24"

Door hinged side **L** left **R** right

Body Laminate laminate color

Face Laminate laminate color

| Code | Price | H (in.) | W (in.) | D 1 (in.) | Weight (lb) | Volume (ft ³) |
|-----------------|-------|---------|---------|-----------|-------------|---------------------------|
| frosted | | | | | | |
| F-FTSF-561818-L | 2395 | 56 | 18 | 18 | 36.29 | 10.5 |
| F-FTSF-561818-R | 2395 | 56 | 18 | 18 | 36.29 | 10.5 |
| F-FTSF-561824-L | 2508 | 56 | 18 | 24 | 48.38 | 14 |
| F-FTSF-561824-R | 2508 | 56 | 18 | 24 | 48.38 | 14 |
| F-FTSF-562418-L | 2685 | 56 | 24 | 18 | 48.38 | 14 |
| F-FTSF-562418-R | 2685 | 56 | 24 | 18 | 48.38 | 14 |
| F-FTSF-562424-L | 2814 | 56 | 24 | 24 | 64.51 | 18.67 |
| F-FTSF-562424-R | 2814 | 56 | 24 | 24 | 64.51 | 18.67 |
| F-FTSF-701818-L | 2749 | 70 | 18 | 18 | 45.36 | 13.13 |
| F-FTSF-701818-R | 2749 | 70 | 18 | 18 | 45.36 | 13.13 |
| F-FTSF-701824-L | 2883 | 70 | 18 | 24 | 60.48 | 17.5 |
| F-FTSF-701824-R | 2883 | 70 | 18 | 24 | 60.48 | 17.5 |
| F-FTSF-702418-L | 3098 | 70 | 24 | 18 | 60.48 | 17.5 |
| F-FTSF-702418-R | 3098 | 70 | 24 | 18 | 60.48 | 17.5 |
| F-FTSF-702424-L | 3254 | 70 | 24 | 24 | 80.64 | 23.33 |
| F-FTSF-702424-R | 3254 | 70 | 24 | 24 | 80.64 | 23.33 |



right side cabinet

What's Included:

Tower combo storage and keys for lock.

How to Specify:

Body refers to the top, side and back panels of the tower combo storage.

Face refers to the door front of the tower combo storage.

Refer to metal paint card for metal paint colors.

Tower combo storage can be keyed alike or keyed randomly for a workstation.

Lock is available in satin silver metal only.

Notes:

Tower combo storage is available in 56" & 70" heights.

Tower combo storage is available in 18" & 24" depths.

Metal handles on the drawers are standard.

Four levelers with a leveling range of 2.5-inches are included.

Options:

Height 56", 70"

Depth 18", 24"

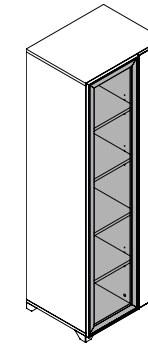
Door hinged side **L** left **R** right

Body Laminate laminate color

Face Laminate laminate color

Handle Color Refer to metal paint card for metal paint colors

| Code | Price | H (in.) | W (in.) | D 1 (in.) | Weight (lb) | Volume (ft ³) |
|-----------------|-------|---------|---------|-----------|-------------|---------------------------|
| F-FCCS-562418-L | 2095 | 56 | 24 | 18 | 53.76 | 14 |
| F-FCCS-562418-R | 2095 | 56 | 24 | 18 | 53.76 | 14 |
| F-FCCS-562424-L | 2230 | 56 | 24 | 24 | 71.68 | 18.67 |
| F-FCCS-562424-R | 2230 | 56 | 24 | 24 | 71.68 | 18.67 |
| F-FCCS-702418-L | 2413 | 70 | 24 | 18 | 67.2 | 17.5 |
| F-FCCS-702418-R | 2413 | 70 | 24 | 18 | 67.2 | 17.5 |
| F-FCCS-702424-L | 2584 | 70 | 24 | 24 | 89.6 | 23.33 |
| F-FCCS-702424-R | 2584 | 70 | 24 | 24 | 89.6 | 23.33 |



right side cabinet

What's Included:

Tower combo storage with acrylic hinged door.

How to Specify:

Body refers to the top, side and back panels of the tower combo storage.

Refer to metal paint card for metal paint colors.

Notes:

Tower combo storage is available in 56" & 70" heights.

Tower combo storage is available in 18" & 24" depths.

Storage door is available in frost and spider acrylic

Four levelers with a leveling range of 2.5-inches are included.

Options:

Acrylic sliding door **F** frosted

Height 56", 70"

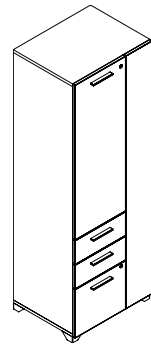
Depth 18", 24"

Door hinged side **L** left **R** right

Body Laminate laminate color

Handle Color Refer to metal paint card for metal paint colors

| Code | Price | H (in.) | W (in.) | D 1 (in.) | Weight (lb) | Volume (ft ³) |
|-----------------|-------|---------|---------|-----------|-------------|---------------------------|
| F-FCCF-562418-L | 2874 | 56 | 24 | 18 | 53.76 | 14 |
| F-FCCF-562418-R | 2874 | 56 | 24 | 18 | 53.76 | 14 |
| F-FCCF-562424-L | 3011 | 56 | 24 | 24 | 71.68 | 18.67 |
| F-FCCF-562424-R | 3011 | 56 | 24 | 24 | 71.68 | 18.67 |
| F-FCCF-702418-L | 3315 | 70 | 24 | 18 | 67.2 | 17.5 |
| F-FCCF-702418-R | 3315 | 70 | 24 | 18 | 67.2 | 17.5 |
| F-FCCF-702424-L | 3483 | 70 | 24 | 24 | 89.6 | 23.33 |
| F-FCCF-702424-R | 3483 | 70 | 24 | 24 | 89.6 | 23.33 |



right side cabinet

What's Included:

Tower combo storage (box/box/file drawer configuration) and keys for lock.

How to Specify:

Body refers to the top, side and back panels of the tower combo storage.

Face refers to the drawer front of the tower combo storage.

Refer to metal paint card for metal paint colors.

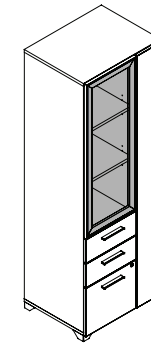
Tower combo storage can be keyed alike or keyed randomly for a workstation.

Lock is available in satin silver metal only.

Options:

| | |
|------------------|--|
| Height | 56", 70" |
| Depth | 18", 24" |
| Door hinged side | L left R right |
| Body Laminate | laminate color |
| Face Laminate | laminate color |
| Handle Color | Refer to metal paint card for metal paint colors |

| Code | Price | H (in.) | W (in.) | D 1 (in.) | Weight (lb) | Volume (ft ³) |
|-----------------|-------|---------|---------|-----------|-------------|---------------------------|
| F-FCBS-562418-L | 2703 | 56 | 24 | 18 | 60.48 | 14 |
| F-FCBS-562418-R | 2703 | 56 | 24 | 18 | 60.48 | 14 |
| F-FCBS-562424-L | 2838 | 56 | 24 | 24 | 80.64 | 18.67 |
| F-FCBS-562424-R | 2838 | 56 | 24 | 24 | 80.64 | 18.67 |
| F-FCBS-702418-L | 3018 | 70 | 24 | 18 | 75.6 | 17.5 |
| F-FCBS-702418-R | 3018 | 70 | 24 | 18 | 75.6 | 17.5 |
| F-FCBS-702424-L | 3188 | 70 | 24 | 24 | 100.8 | 23.33 |
| F-FCBS-702424-R | 3188 | 70 | 24 | 24 | 100.8 | 23.33 |



right side cabinet

What's Included:

Tower combo storage with acrylic hinged door (box/box/file drawer configuration).

How to Specify:

Body refers to the top, side and back panels of the tower combo storage closet.

Refer to metal paint card for metal paint colors.

Options:

| | |
|----------------------|--|
| Acrylic sliding door | F frosted |
| Height | 56", 70" |
| Width | 24" |
| Depth | 18", 24" |
| Door hinged side | L left R right |
| Body Laminate | laminate color |
| Handle Color | Refer to metal paint card for metal paint colors |

Notes:

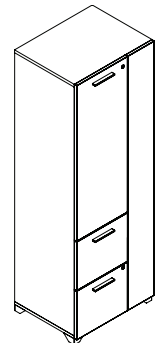
Tower combo storage is available in 56" & 70" heights.

Tower combo storage is available in 18" & 24" depths.

Storage door is available in frost r acrylic

Four levelers with a leveling range of 2.5-inches are included.

| Code | Price | H (in.) | W (in.) | D 1 (in.) | Weight (lb) | Volume (ft ³) |
|-----------------|-------|---------|---------|-----------|-------------|---------------------------|
| F-FCBF-562418-L | 3107 | 56 | 24 | 18 | 60.48 | 14 |
| F-FCBF-562418-R | 3107 | 56 | 24 | 18 | 60.48 | 14 |
| F-FCBF-562424-L | 3239 | 56 | 24 | 24 | 80.64 | 18.67 |
| F-FCBF-562424-R | 3239 | 56 | 24 | 24 | 80.64 | 18.67 |
| F-FCBF-702418-L | 3534 | 70 | 24 | 18 | 75.6 | 17.5 |
| F-FCBF-702418-R | 3534 | 70 | 24 | 18 | 75.6 | 17.5 |
| F-FCBF-702424-L | 3705 | 70 | 24 | 24 | 100.8 | 23.33 |
| F-FCBF-702424-R | 3705 | 70 | 24 | 24 | 100.8 | 23.33 |



right side cabinet

What's Included:

Tower combo storage (file/file drawer configuration) and keys for lock.

How to Specify:

Body refers to the top, side and back panels of the tower combo storage closet.

Face refers to the drawer front of the tower combo storage.

Refer to metal paint card for metal paint colors.

Tower combo storage can be keyed alike or keyed randomly for a workstation.

Lock is available in satin silver metal only.

Notes:

Tower combo storage is available in 56" & 70" heights.

Tower combo storage is available in 18" & 24" depths.

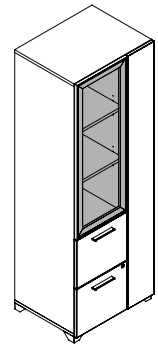
Storage door is available in frost acrylic

Four levelers with a leveling range of 2.5-inches are included.

Options:

| | |
|------------------|---|
| Height | 56", 70" |
| Width | 24" |
| Depth | 18", 24" |
| Door hinged side | L left R right |
| Body Laminate | laminate color |
| Handle Color | Refer to metal paint card for metal paint colors. |

| Code | Price | H (in.) | W (in.) | D 1 (in.) | Weight (lb) | Volume (ft ³) |
|-----------------|-------|---------|---------|-----------|-------------|---------------------------|
| F-FCFS-562418-L | 2511 | 56 | 24 | 18 | 60.48 | 14 |
| F-FCFS-562418-R | 2511 | 56 | 24 | 18 | 60.48 | 14 |
| F-FCFS-562424-L | 2644 | 56 | 24 | 24 | 80.64 | 18.67 |
| F-FCFS-562424-R | 2644 | 56 | 24 | 24 | 80.64 | 18.67 |
| F-FCFS-702418-L | 2830 | 70 | 24 | 18 | 75.6 | 17.5 |
| F-FCFS-702418-R | 2830 | 70 | 24 | 18 | 75.6 | 17.5 |
| F-FCFS-702424-L | 2998 | 70 | 24 | 24 | 100.8 | 23.33 |
| F-FCFS-702424-R | 2998 | 70 | 24 | 24 | 100.8 | 23.33 |



right side cabinet

What's Included:

Tower combo storage with acrylic hinged door (file/file drawer configuration).

How to Specify:

Body refers to the top, side and back panels of the tower combo storage closet.

Refer to metal paint card for metal paint colors.

Tower combo storage can be keyed alike or keyed randomly for a workstation.

Lock is available in satin silver metal only.

Notes:

Tower combo storage is available in 56" & 70" heights.

Tower combo storage is available in 18" & 24" depths.

Storage door is available in frost acrylic

Four levelers with a leveling range of 2.5-inches are included.

Options:

| | |
|------------------|---|
| Acrylic door | F frosted |
| Height | 56", 70" |
| Width | 24" |
| Depth | 18", 24" |
| Door hinged side | L left R right |
| Body Laminate | laminate color |
| Handle Color | Refer to metal paint card for metal paint colors. |

| Code | Price | H (in.) | W (in.) | D 1 (in.) | Weight (lb) | Volume (ft ³) |
|-----------------|-------|---------|---------|-----------|-------------|---------------------------|
| F-FCFF-562418-L | 2910 | 56 | 24 | 18 | 60.48 | 14 |
| F-FCFF-562418-R | 2910 | 56 | 24 | 18 | 60.48 | 14 |
| F-FCFF-562424-L | 3042 | 56 | 24 | 24 | 80.64 | 18.67 |
| F-FCFF-562424-R | 3042 | 56 | 24 | 24 | 80.64 | 18.67 |
| F-FCFF-702418-L | 3341 | 70 | 24 | 18 | 75.6 | 17.5 |
| F-FCFF-702418-R | 3341 | 70 | 24 | 18 | 75.6 | 17.5 |
| F-FCFF-702424-L | 3509 | 70 | 24 | 24 | 100.8 | 23.33 |
| F-FCFF-702424-R | 3509 | 70 | 24 | 24 | 100.8 | 23.33 |



Scene Pricebook
January 2026
Surfaces

surface

type 1 |

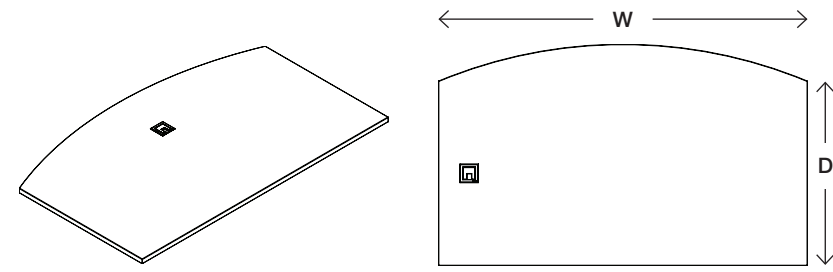
| | |
|--|-----|
| arc worksurface w/ center grommet | 126 |
| arc worksurface w/ side grommet | 128 |
| straight worksurface w/ center grommet | 130 |
| straight worksurface w/ side grommet | 132 |
| straight worksurface without grommet | 134 |
| unitized desk w/ side grommet | 136 |
| D worksurface w/ side grommet | 138 |

credenza mounted

| | |
|-------------------------------------|-----|
| D worksurface w/ side grommet | 140 |
| straight worksurface | 142 |
| straight return w/ center grommet | 144 |

flag storage

| | |
|----------------------|-----|
| (single full side) | 146 |
| (single shared side) | 148 |
| (full / shared) | 150 |
| (shared / shared) | 152 |



What's Included:

Arc worksurface (1) with a center grommet (1).

How to Specify:

Worksurface can be supported by a high credenza and a single support leg, a high credenza with one support gable or two support gables.

Square grommet can be specified in silver, white or black.

Edge color will default to match the surface color of the worksurface unless otherwise specified.

Notes:

Arc worksurface is 1-inch thick.

All worksurfaces have 2mm vinyl edge trim.

Low pressure laminate is available on the top surface of a worksurface.

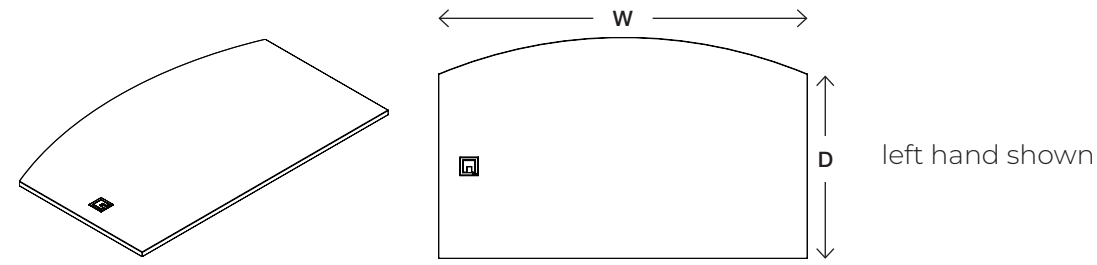
Options:

| | | | |
|----------------------|-------------------------|-------------------|-------------------|
| Width | 60", 66", 72", 78", 84" | | |
| Depth | 30", 36" | | |
| Grommet Color | P112 silver | P121 white | P114 black |
| Worksurface Laminate | laminate color | | |

How to Order and Read your Code:

| | | | |
|--------------|-------------|-----------|-----------|
| F | WA0G | 60 | 30 |
| product line | item | width | depth |

| Code | Price | H (in.) | W (in.) | D 1 (in.) | Weight (lb) | Volume (ft ³) |
|-------------|-------|---------|---------|-----------|-------------|---------------------------|
| F-WA0G-6030 | 1093 | 1 | 60 | 30 | 40 | 1.25 |
| F-WA0G-6630 | 1171 | 1 | 66 | 30 | 44 | 1.38 |
| F-WA0G-7230 | 1245 | 1 | 72 | 30 | 48 | 1.5 |
| F-WA0G-7830 | 1283 | 1 | 78 | 30 | 52 | 1.63 |
| F-WA0G-8430 | 1319 | 1 | 84 | 30 | 56 | 1.75 |
| F-WA0G-6036 | 1149 | 1 | 60 | 36 | 48 | 1.46 |
| F-WA0G-6636 | 1210 | 1 | 66 | 36 | 52.8 | 1.6 |
| F-WA0G-7236 | 1286 | 1 | 72 | 36 | 57.6 | 1.75 |
| F-WA0G-7836 | 1319 | 1 | 78 | 36 | 62.4 | 1.9 |
| F-WA0G-8436 | 1356 | 1 | 84 | 36 | 67.2 | 2.04 |



What's Included:

Arc worksurface (1) with a side grommet (1).

How to Specify:

Worksurface can be supported by a high credenza and a single support leg, a high credenza with one support gable or two support gables.

Square grommet can be specified in silver, white or black.

Edge color will default to match the surface color of the worksurface unless otherwise specified.

Notes:

Arc worksurface is 1-inch thick.

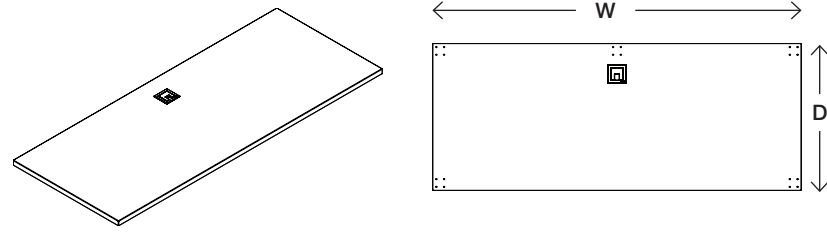
All worksurfaces have 2mm vinyl edge trim.

Low pressure laminate is available on the top surface of a worksurface.

Options:

| | | | |
|----------------------|-------------------------|-------------------|-------------------|
| Width | 60", 66", 72", 78", 84" | | |
| Depth | 30", 36" | | |
| Grommet side | L left | R right | |
| Grommet Color | P112 silver | P121 white | P114 black |
| Worksurface Laminate | laminate color | | |

| Code | Price | H (in.) | W (in.) | D 1 (in.) | Weight (lb) | Volume (ft ³) |
|---------------|-------|---------|---------|-----------|-------------|---------------------------|
| F-WASG-6030-L | 1093 | 1 | 60 | 30 | 40 | 1.25 |
| F-WASG-6030-R | 1093 | 1 | 60 | 30 | 40 | 1.25 |
| F-WASG-6036-L | 1149 | 1 | 60 | 36 | 48 | 1.46 |
| F-WASG-6036-R | 1149 | 1 | 60 | 36 | 48 | 1.46 |
| F-WASG-6630-L | 1171 | 1 | 66 | 30 | 44 | 1.38 |
| F-WASG-6630-R | 1171 | 1 | 66 | 30 | 44 | 1.38 |
| F-WASG-6636-L | 1210 | 1 | 66 | 36 | 52.8 | 1.6 |
| F-WASG-6636-R | 1210 | 1 | 66 | 36 | 52.8 | 1.6 |
| F-WASG-7230-L | 1245 | 1 | 72 | 30 | 48 | 1.5 |
| F-WASG-7230-R | 1245 | 1 | 72 | 30 | 48 | 1.5 |
| F-WASG-7236-L | 1286 | 1 | 72 | 36 | 57.6 | 1.75 |
| F-WASG-7236-R | 1286 | 1 | 72 | 36 | 57.6 | 1.75 |
| F-WASG-7830-L | 1283 | 1 | 78 | 30 | 52 | 1.63 |
| F-WASG-7830-R | 1283 | 1 | 78 | 30 | 52 | 1.63 |
| F-WASG-7836-L | 1319 | 1 | 78 | 36 | 62.4 | 1.9 |
| F-WASG-7836-R | 1319 | 1 | 78 | 36 | 62.4 | 1.9 |
| F-WASG-8430-L | 1319 | 1 | 84 | 30 | 56 | 1.75 |
| F-WASG-8430-R | 1319 | 1 | 84 | 30 | 56 | 1.75 |
| F-WASG-8436-L | 1356 | 1 | 84 | 36 | 67.2 | 2.04 |
| F-WASG-8436-R | 1356 | 1 | 84 | 36 | 67.2 | 2.04 |



What's Included:

Straight worksurface (1) with a center grommet (1).

How to Specify:

Worksurface can be supported by a high credenza and a single support leg, a high credenza with one support gable or two support gables.

Square grommet can be specified in silver, white or black.

Edge color will default to match the surface color of the worksurface unless otherwise specified.

Notes:

Straight worksurface is 1-inch thick.

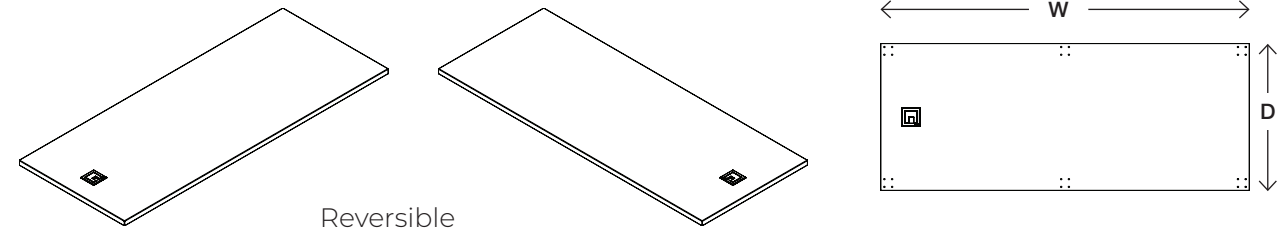
All worksurfaces have 2mm vinyl edge trim.

Low pressure laminate is available on the top surface of a worksurface.

Options:

| | | | |
|----------------------|---|-------------------|-------------------|
| Width | 36", 42", 48", 54", 60", 66", 72", 78", 84", 90", 94" | | |
| Depth | 24", 30", 36" | | |
| Grommet Color | P112 silver | P121 white | P114 black |
| Worksurface Laminate | laminate color | | |

| Code | Price | H (in.) | W (in.) | D 1 (in.) | Weight (lb) | Volume (ft ³) |
|-------------|-------|---------|---------|-----------|-------------|---------------------------|
| F-WS0G-3624 | 360 | 1 | 36 | 24 | 17.28 | 0.5 |
| F-WS0G-4224 | 421 | 1 | 42 | 24 | 20.16 | 0.58 |
| F-WS0G-4824 | 453 | 1 | 48 | 24 | 23.04 | 0.67 |
| F-WS0G-5424 | 545 | 1 | 54 | 24 | 25.92 | 0.75 |
| F-WS0G-6024 | 571 | 1 | 60 | 24 | 28.8 | 0.83 |
| F-WS0G-6624 | 637 | 1 | 66 | 24 | 31.68 | 0.92 |
| F-WS0G-7224 | 662 | 1 | 72 | 24 | 34.56 | 1 |
| F-WS0G-7824 | 719 | 1 | 78 | 24 | 37.44 | 1.08 |
| F-WS0G-8424 | 783 | 1 | 84 | 24 | 40.32 | 1.17 |
| F-WS0G-9024 | 887 | 1 | 90 | 24 | 43.2 | 1.25 |
| F-WS0G-9624 | 960 | 1 | 96 | 24 | 46.08 | 1.33 |
| F-WS0G-3630 | 434 | 1 | 36 | 30 | 21.6 | 0.63 |
| F-WS0G-4230 | 472 | 1 | 42 | 30 | 25.2 | 0.73 |
| F-WS0G-4830 | 511 | 1 | 48 | 30 | 28.8 | 0.83 |
| F-WS0G-5430 | 570 | 1 | 54 | 30 | 32.4 | 0.94 |
| F-WS0G-6030 | 602 | 1 | 60 | 30 | 36 | 1.04 |
| F-WS0G-6630 | 686 | 1 | 66 | 30 | 39.6 | 1.15 |
| F-WS0G-7230 | 705 | 1 | 72 | 30 | 43.2 | 1.25 |
| F-WS0G-7830 | 764 | 1 | 78 | 30 | 46.8 | 1.35 |
| F-WS0G-8430 | 827 | 1 | 84 | 30 | 50.4 | 1.46 |
| F-WS0G-9030 | 943 | 1 | 90 | 30 | 54 | 1.56 |
| F-WS0G-9630 | 1020 | 1 | 96 | 30 | 57.6 | 1.67 |
| F-WS0G-3636 | 453 | 1 | 36 | 36 | 25.92 | 0.75 |
| F-WS0G-4236 | 486 | 1 | 42 | 36 | 30.24 | 0.88 |
| F-WS0G-4836 | 534 | 1 | 48 | 36 | 34.56 | 1 |
| F-WS0G-5436 | 594 | 1 | 54 | 36 | 38.88 | 1.13 |
| F-WS0G-6036 | 629 | 1 | 60 | 36 | 43.2 | 1.25 |
| F-WS0G-6636 | 716 | 1 | 66 | 36 | 47.52 | 1.38 |
| F-WS0G-7236 | 736 | 1 | 72 | 36 | 51.84 | 1.5 |
| F-WS0G-7836 | 799 | 1 | 78 | 36 | 56.16 | 1.63 |
| F-WS0G-8436 | 864 | 1 | 84 | 36 | 60.48 | 1.75 |
| F-WS0G-9036 | 984 | 1 | 90 | 36 | 64.8 | 1.88 |
| F-WS0G-9636 | 1062 | 1 | 96 | 36 | 69.12 | 2 |



What's Included:

Straight worksurface (1) with a side grommet (1).

How to Specify:

Worksurface can be supported by a high credenza and a single support leg, a high credenza with one support gable or two support gables.

Square grommet can be specified in silver, white or black.

Edge color will default to match the surface color of the worksurface unless otherwise specified.

Notes:

Straight worksurface is 1-inch thick.

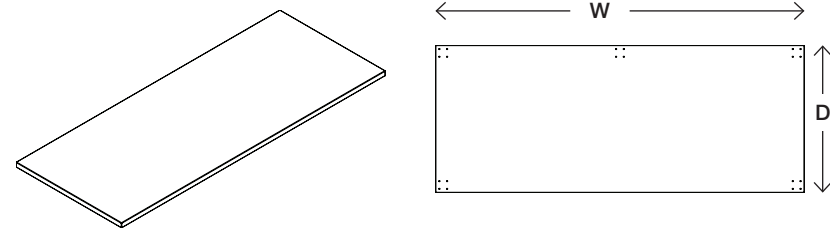
All worksurfaces have 2mm vinyl edge trim.

Low pressure laminate is available on the top surface of a worksurface.

Options:

| | | | |
|----------------------|---|-------------------|-------------------|
| Width | 36", 42", 48", 54", 60", 66", 72", 78", 84", 90", 94" | | |
| Depth | 24", 30", 36" | | |
| Grommet side | Reversible | | |
| Grommet Color | P112 silver | P121 white | P114 black |
| Worksurface Laminate | laminate color | | |

| Code | Price | H (in.) | W (in.) | D 1 (in.) | Weight (lb) | Volume (ft ³) |
|-------------|-------|---------|---------|-----------|-------------|---------------------------|
| F-WSSG-3624 | 360 | 1 | 36 | 24 | 17.28 | 0.5 |
| F-WSSG-4224 | 421 | 1 | 42 | 24 | 20.16 | 0.58 |
| F-WSSG-4824 | 453 | 1 | 48 | 24 | 23.04 | 0.67 |
| F-WSSG-5424 | 545 | 1 | 54 | 24 | 25.92 | 0.75 |
| F-WSSG-6024 | 571 | 1 | 60 | 24 | 28.8 | 0.83 |
| F-WSSG-6624 | 637 | 1 | 66 | 24 | 31.68 | 0.92 |
| F-WSSG-7224 | 662 | 1 | 72 | 24 | 34.56 | 1 |
| F-WSSG-7824 | 719 | 1 | 78 | 24 | 37.44 | 1.08 |
| F-WSSG-8424 | 783 | 1 | 84 | 24 | 40.32 | 1.17 |
| F-WSSG-9024 | 887 | 1 | 90 | 24 | 43.2 | 1.25 |
| F-WSSG-9624 | 960 | 1 | 96 | 24 | 46.08 | 1.33 |
| F-WSSG-3630 | 434 | 1 | 36 | 30 | 21.6 | 0.63 |
| F-WSSG-4230 | 472 | 1 | 42 | 30 | 25.2 | 0.73 |
| F-WSSG-4830 | 511 | 1 | 48 | 30 | 28.8 | 0.83 |
| F-WSSG-5430 | 570 | 1 | 54 | 30 | 32.4 | 0.94 |
| F-WSSG-6030 | 602 | 1 | 60 | 30 | 36 | 1.04 |
| F-WSSG-6630 | 686 | 1 | 66 | 30 | 39.6 | 1.15 |
| F-WSSG-7230 | 705 | 1 | 72 | 30 | 43.2 | 1.25 |
| F-WSSG-7830 | 764 | 1 | 78 | 30 | 46.8 | 1.35 |
| F-WSSG-8430 | 827 | 1 | 84 | 30 | 50.4 | 1.46 |
| F-WSSG-9030 | 943 | 1 | 90 | 30 | 54 | 1.56 |
| F-WSSG-9630 | 1020 | 1 | 96 | 30 | 57.6 | 1.67 |
| F-WSSG-3636 | 453 | 1 | 36 | 36 | 25.92 | 0.75 |
| F-WSSG-4236 | 486 | 1 | 42 | 36 | 30.24 | 0.88 |
| F-WSSG-4836 | 534 | 1 | 48 | 36 | 34.56 | 1 |
| F-WSSG-5436 | 594 | 1 | 54 | 36 | 38.88 | 1.13 |
| F-WSSG-6036 | 629 | 1 | 60 | 36 | 43.2 | 1.25 |
| F-WSSG-6636 | 716 | 1 | 66 | 36 | 47.52 | 1.38 |
| F-WSSG-7236 | 736 | 1 | 72 | 36 | 51.84 | 1.5 |
| F-WSSG-7836 | 799 | 1 | 78 | 36 | 56.16 | 1.63 |
| F-WSSG-8436 | 864 | 1 | 84 | 36 | 60.48 | 1.75 |
| F-WSSG-9036 | 984 | 1 | 90 | 36 | 64.8 | 1.88 |
| F-WSSG-9636 | 1062 | 1 | 96 | 36 | 69.12 | 2 |



What's Included:

Straight worksurface (1).

How to Specify:

Worksurface can be supported by a high credenza and a single support leg, a high credenza with one support gable or two support gables.

Edge color will default to match the surface color of the worksurface unless otherwise specified.

Notes:

Straight worksurface is 1-inch thick.

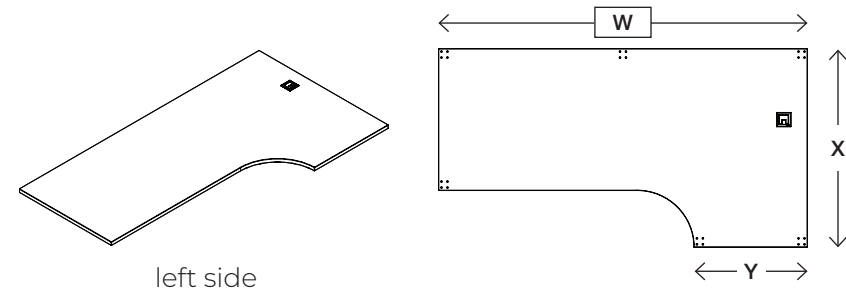
All worksurfaces have 2mm vinyl edge trim.

Low pressure laminate is available on the top surface of a worksurface.

Options:

| | |
|----------------------|---|
| Width | 36", 42", 48", 54", 60", 66", 72", 78", 84", 90", 94" |
| Depth | 24", 30", 36" |
| Worksurface Laminate | laminate color |

| Code | Price | H (in.) | W (in.) | D 1 (in.) | Weight (lb) | Volume (ft ³) |
|-------------|-------|---------|---------|-----------|-------------|---------------------------|
| F-WS0N-3624 | 334 | 1 | 36 | 24 | 17.28 | 0.5 |
| F-WS0N-4224 | 397 | 1 | 42 | 24 | 20.16 | 0.58 |
| F-WS0N-4824 | 424 | 1 | 48 | 24 | 23.04 | 0.67 |
| F-WS0N-5424 | 517 | 1 | 54 | 24 | 25.92 | 0.75 |
| F-WS0N-6024 | 546 | 1 | 60 | 24 | 28.8 | 0.83 |
| F-WS0N-6624 | 607 | 1 | 66 | 24 | 31.68 | 0.92 |
| F-WS0N-7224 | 639 | 1 | 72 | 24 | 34.56 | 1 |
| F-WS0N-7824 | 700 | 1 | 78 | 24 | 37.44 | 1.08 |
| F-WS0N-8424 | 755 | 1 | 84 | 24 | 40.32 | 1.17 |
| F-WS0N-9024 | 863 | 1 | 90 | 24 | 43.2 | 1.25 |
| F-WS0N-9624 | 937 | 1 | 96 | 24 | 46.08 | 1.33 |
| F-WS0N-3630 | 410 | 1 | 36 | 30 | 21.6 | 0.63 |
| F-WS0N-4230 | 441 | 1 | 42 | 30 | 25.2 | 0.73 |
| F-WS0N-4830 | 481 | 1 | 48 | 30 | 28.8 | 0.83 |
| F-WS0N-5430 | 545 | 1 | 54 | 30 | 32.4 | 0.94 |
| F-WS0N-6030 | 574 | 1 | 60 | 30 | 36 | 1.04 |
| F-WS0N-6630 | 661 | 1 | 66 | 30 | 39.6 | 1.15 |
| F-WS0N-7230 | 677 | 1 | 72 | 30 | 43.2 | 1.25 |
| F-WS0N-7830 | 742 | 1 | 78 | 30 | 46.8 | 1.35 |
| F-WS0N-8430 | 804 | 1 | 84 | 30 | 50.4 | 1.46 |
| F-WS0N-9030 | 915 | 1 | 90 | 30 | 54 | 1.56 |
| F-WS0N-9630 | 992 | 1 | 96 | 30 | 57.6 | 1.67 |
| F-WS0N-3636 | 426 | 1 | 36 | 36 | 25.92 | 0.75 |
| F-WS0N-4236 | 464 | 1 | 42 | 36 | 30.24 | 0.88 |
| F-WS0N-4836 | 507 | 1 | 48 | 36 | 34.56 | 1 |
| F-WS0N-5436 | 570 | 1 | 54 | 36 | 38.88 | 1.13 |
| F-WS0N-6036 | 605 | 1 | 60 | 36 | 43.2 | 1.25 |
| F-WS0N-6636 | 691 | 1 | 66 | 36 | 47.52 | 1.38 |
| F-WS0N-7236 | 713 | 1 | 72 | 36 | 51.84 | 1.5 |
| F-WS0N-7836 | 776 | 1 | 78 | 36 | 56.16 | 1.63 |
| F-WS0N-8436 | 841 | 1 | 84 | 36 | 60.48 | 1.75 |
| F-WS0N-9036 | 960 | 1 | 90 | 36 | 64.8 | 1.88 |
| F-WS0N-9636 | 1034 | 1 | 96 | 36 | 69.12 | 2 |



What's Included:

Unitized worksurface (1) with a side grommet (1).

How to Specify:

Worksurface can be supported by a high credenza and a single support leg, a high credenza with one support gable or two support gables.

Edge color will default to match the surface color of the worksurface unless otherwise specified.

Notes:

Unitized worksurface is 1-inch thick.

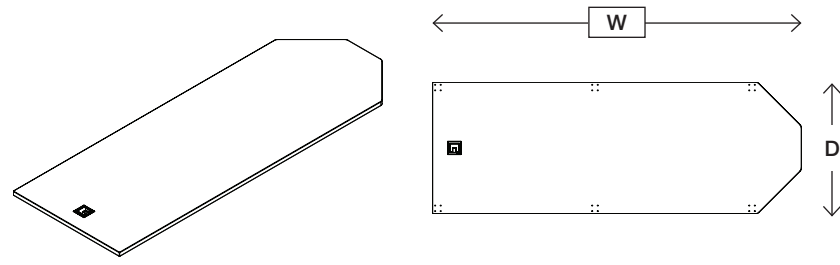
All worksurfaces have 2mm vinyl edge trim.

Low pressure laminate is available on the top surface of a worksurface.

Options:

| | | | |
|----------------------|--|-------------------|-------------------|
| Width | 54", 60", 66", 72", 78", 84", 90", 96" | | |
| X - Depth | 36", 42" | | |
| Y - Depth | 24", 30" | | |
| Grommet side | L left | R right | |
| Grommet Color | P112 silver | P121 white | P114 black |
| Worksurface Laminate | laminate color | | |

| Code | Price | H (in.) | W (in.) | D 1 (in.) | Wt (lb) | Vol (ft³) | Code | Price | H (in.) | W (in.) | D 1 (in.) | Wt (lb) | Vol (ft³) |
|-----------------|-------|---------|---------|-----------|---------|-----------|-----------------|-------|---------|---------|-----------|---------|-----------|
| F-WUCG-543624-L | 1065 | 19 | 54 | 36 | 24.88 | 1.13 | F-WUCG-724230-L | 1371 | 19 | 72 | 42 | 41.13 | 1.75 |
| F-WUCG-543624-R | 1065 | 19 | 54 | 36 | 24.88 | 1.13 | F-WUCG-724230-R | 1371 | 19 | 72 | 42 | 41.13 | 1.75 |
| F-WUCG-544224-L | 1198 | 19 | 54 | 42 | 39 | 1.31 | F-WUCG-783624-L | 1371 | 19 | 78 | 36 | 35.94 | 1.63 |
| F-WUCG-544224-R | 1198 | 19 | 54 | 42 | 39 | 1.31 | F-WUCG-783624-R | 1371 | 19 | 78 | 36 | 35.94 | 1.63 |
| F-WUCG-544230-L | 1198 | 19 | 54 | 42 | 39 | 1.31 | F-WUCG-784224-L | 1504 | 19 | 78 | 42 | 41.93 | 1.9 |
| F-WUCG-544230-R | 1198 | 19 | 54 | 42 | 39 | 1.31 | F-WUCG-784224-R | 1504 | 19 | 78 | 42 | 41.93 | 1.9 |
| F-WUCG-603624-L | 1128 | 19 | 60 | 36 | 27.65 | 1.25 | F-WUCG-784230-L | 1504 | 19 | 78 | 42 | 44.55 | 1.9 |
| F-WUCG-603624-R | 1128 | 19 | 60 | 36 | 27.65 | 1.25 | F-WUCG-784230-R | 1504 | 19 | 78 | 42 | 44.55 | 1.9 |
| F-WUCG-604224-L | 1261 | 19 | 60 | 42 | 32.26 | 1.46 | F-WUCG-843624-L | 1502 | 19 | 84 | 36 | 38.71 | 1.75 |
| F-WUCG-604224-R | 1261 | 19 | 60 | 42 | 32.26 | 1.46 | F-WUCG-843624-R | 1502 | 19 | 84 | 36 | 38.71 | 1.75 |
| F-WUCG-604230-L | 1261 | 19 | 60 | 42 | 34.27 | 1.46 | F-WUCG-844224-L | 1635 | 19 | 84 | 42 | 45.16 | 2.04 |
| F-WUCG-604230-R | 1261 | 19 | 60 | 42 | 34.27 | 1.46 | F-WUCG-844224-R | 1635 | 19 | 84 | 42 | 45.16 | 2.04 |
| F-WUCG-663624-L | 1189 | 19 | 66 | 36 | 30.41 | 1.38 | F-WUCG-844230-L | 1635 | 19 | 84 | 42 | 47.98 | 2.04 |
| F-WUCG-663624-R | 1189 | 19 | 66 | 36 | 30.41 | 1.38 | F-WUCG-844230-R | 1635 | 19 | 84 | 42 | 47.98 | 2.04 |
| F-WUCG-664224-L | 1323 | 19 | 66 | 42 | 35.48 | 1.6 | F-WUCG-903624-L | 1800 | 19 | 90 | 36 | 41.47 | 1.88 |
| F-WUCG-664224-R | 1323 | 19 | 66 | 42 | 35.48 | 1.6 | F-WUCG-903624-R | 1800 | 19 | 90 | 36 | 41.47 | 1.88 |
| F-WUCG-664230-L | 1323 | 19 | 66 | 42 | 37.7 | 1.6 | F-WUCG-904224-L | 1933 | 19 | 90 | 42 | 48.38 | 2.19 |
| F-WUCG-664230-R | 1323 | 19 | 66 | 42 | 37.7 | 1.6 | F-WUCG-904224-R | 1933 | 19 | 90 | 42 | 48.38 | 2.19 |
| F-WUCG-723624-L | 1240 | 19 | 72 | 36 | 33.18 | 1.5 | F-WUCG-904230-L | 1933 | 19 | 90 | 42 | 51.41 | 2.19 |
| F-WUCG-723624-R | 1240 | 19 | 72 | 36 | 33.18 | 1.5 | F-WUCG-904230-R | 1933 | 19 | 90 | 42 | 51.41 | 2.19 |
| F-WUCG-724224-L | 1371 | 19 | 72 | 42 | 38.71 | 1.75 | F-WUCG-963624-L | 1834 | 19 | 96 | 36 | 44.24 | 2 |
| F-WUCG-724224-R | 1371 | 19 | 72 | 42 | 38.71 | 1.75 | F-WUCG-963624-R | 1834 | 19 | 96 | 36 | 44.24 | 2 |
| | | | | | | | F-WUCG-964224-L | 1966 | 19 | 96 | 42 | 51.61 | 2.33 |
| | | | | | | | F-WUCG-964224-R | 1966 | 19 | 96 | 42 | 51.61 | 2.33 |
| | | | | | | | F-WUCG-964230-L | 1966 | 19 | 96 | 42 | 54.84 | 2.33 |
| | | | | | | | F-WUCG-964230-R | 1966 | 19 | 96 | 42 | 54.84 | 2.33 |



What's Included:

D worksurface (1) with a grommet (1).

How to Specify:

Worksurface can be supported by a high credenza and a single support leg, a high credenza with one support gable or two support gables.

Edge color will default to match the surface color of the worksurface unless otherwise specified.

Notes:

D worksurface is 1-inch thick.

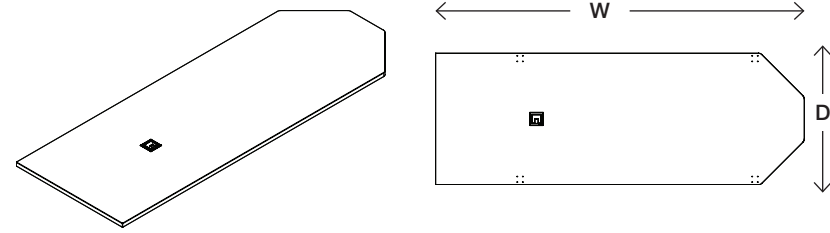
All worksurfaces have 2mm vinyl edge trim.

Low pressure laminate is available on the top surface of a worksurface.

Options:

| | | | |
|----------------------|--|-------------------|-------------------|
| Width | 54", 60", 66", 72", 78", 84", 90", 96" | | |
| Depth | 24", 30", 36" | | |
| Grommet Color | P112 silver | P121 white | P114 black |
| Worksurface Laminate | laminate color | | |

| Code | Price | H (in.) | W (in.) | D 1 (in.) | Weight (lb) | Volume (ft ³) |
|------------------|-------|---------|---------|-----------|-------------|---------------------------|
| 24" depth | | | | | | |
| F-WD0G-544624 | 739 | 1 | 54 | 24 | 25.92 | 0.75 |
| F-WD0G-605224 | 799 | 1 | 60 | 24 | 28.8 | 0.83 |
| F-WD0G-665824 | 941 | 1 | 66 | 24 | 31.68 | 0.92 |
| F-WD0G-726424 | 1009 | 1 | 72 | 24 | 34.56 | 1 |
| F-WD0G-787024 | 1170 | 1 | 78 | 24 | 37.44 | 1.08 |
| F-WD0G-847624 | 1225 | 1 | 84 | 24 | 40.32 | 1.17 |
| F-WD0G-908224 | 1283 | 1 | 90 | 24 | 43.2 | 1.25 |
| F-WD0G-968824 | 1340 | 1 | 96 | 24 | 46.08 | 1.33 |
| F-WD0G-544430 | 818 | 1 | 54 | 30 | 32.4 | 0.94 |
| 30" depth | | | | | | |
| F-WD0G-605030 | 886 | 1 | 60 | 30 | 36 | 1.04 |
| F-WD0G-665630 | 1038 | 1 | 66 | 30 | 39.6 | 1.15 |
| F-WD0G-726230 | 1123 | 1 | 72 | 30 | 43.2 | 1.25 |
| F-WD0G-786830 | 1295 | 1 | 78 | 30 | 46.8 | 1.35 |
| F-WD0G-847430 | 1357 | 1 | 84 | 30 | 50.4 | 1.46 |
| F-WD0G-908030 | 1420 | 1 | 90 | 30 | 54 | 1.56 |
| F-WD0G-968630 | 1488 | 1 | 96 | 30 | 57.6 | 1.67 |
| 36" depth | | | | | | |
| F-WD0G-544236 | 893 | 1 | 54 | 36 | 38.88 | 1.13 |
| F-WD0G-604836 | 971 | 1 | 60 | 36 | 43.2 | 1.25 |
| F-WD0G-665436 | 1145 | 1 | 66 | 36 | 47.52 | 1.38 |
| F-WD0G-726036 | 1231 | 1 | 72 | 36 | 51.84 | 1.5 |
| F-WD0G-786636 | 1416 | 1 | 78 | 36 | 56.16 | 1.63 |
| F-WD0G-847236 | 1490 | 1 | 84 | 36 | 60.48 | 1.75 |
| F-WD0G-907836 | 1562 | 1 | 90 | 36 | 64.8 | 1.88 |
| F-WD0G-968436 | 1631 | 1 | 96 | 36 | 69.12 | 2 |



What's Included:

D worksurface (1) .

How to Specify:

Worksurface can be supported by a high credenza and a single support leg, a high credenza with one support gable or two support gables.

Edge color will default to match the surface color of the worksurface unless otherwise specified.

Notes:

D worksurface is 1-inch thick.

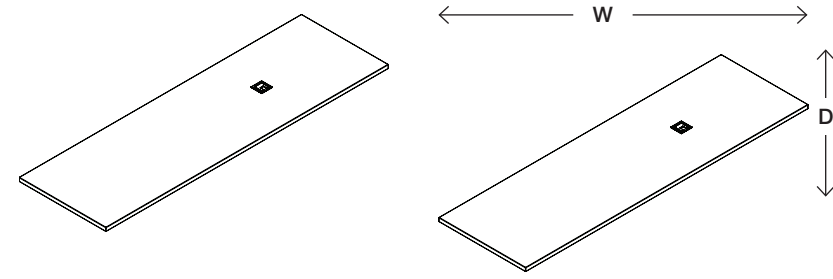
All worksurfaces have 2mm vinyl edge trim.

Low pressure laminate is available on the top surface of a worksurface.

Options:

| | | | |
|----------------------|--|-------------------|-------------------|
| Width | 54", 60", 66", 72", 78", 84", 90", 96" | | |
| Depth | 24", 30", 36" | | |
| Grommet Color | P112 silver | P121 white | P114 black |
| Worksurface Laminate | laminate color | | |

| Code | Price | H (in.) | W (in.) | D 1 (in.) | Weight (lb) | Volume (ft ³) |
|---------------|-------|---------|---------|-----------|-------------|---------------------------|
| F-WCDG-784836 | 1416 | 1 | 78 | 24 | 37.44 | 1.08 |
| F-WCDG-785030 | 1295 | 1 | 84 | 24 | 40.32 | 1.17 |
| F-WCDG-785224 | 1170 | 1 | 90 | 24 | 43.2 | 1.25 |
| F-WCDG-845436 | 1490 | 1 | 96 | 24 | 46.08 | 1.33 |
| F-WCDG-845630 | 1357 | 1 | 78 | 30 | 46.8 | 1.35 |
| F-WCDG-845824 | 1225 | 1 | 84 | 30 | 50.4 | 1.46 |
| F-WCDG-906036 | 1562 | 1 | 90 | 30 | 54 | 1.56 |
| F-WCDG-906230 | 1420 | 1 | 96 | 30 | 57.6 | 1.67 |
| F-WCDG-906424 | 1283 | 1 | 78 | 36 | 56.16 | 1.63 |
| F-WCDG-966636 | 1631 | 1 | 84 | 36 | 60.48 | 1.75 |
| F-WCDG-966830 | 1488 | 1 | 90 | 36 | 64.8 | 1.88 |
| F-WCDG-967024 | 1340 | 1 | 96 | 36 | 69.12 | 2 |



What's Included:

Straight worksurface (1)

How to Specify:

Worksurface can be supported by a high credenza and a single support leg, a high credenza with one support gable or two support gables.

Edge color will default to match the surface color of the worksurface unless otherwise specified.

Notes:

Straight worksurface is 1-inch thick.

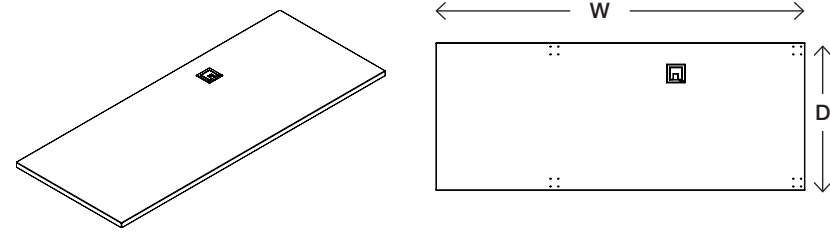
All worksurfaces have 2mm vinyl edge trim.

Low pressure laminate is available on the top surface of a worksurface.

Options:

| | |
|----------------------|--|
| Width | 78", 84", 90", 96" |
| Depth | 24", 30", 36" |
| Grommet Color | P112 silver P121 white P114 black |
| Worksurface Laminate | laminate color |

| Code | Price | H (in.) | W (in.) | D 1 (in.) | Weight (lb) | Volume (ft ³) |
|---------------|-------|---------|---------|-----------|-------------|---------------------------|
| F-WCSG-786024 | 719 | 1 | 78 | 24 | 37.44 | 1.08 |
| F-WCSG-846624 | 783 | 1 | 84 | 24 | 40.32 | 1.17 |
| F-WCSG-907224 | 887 | 1 | 90 | 24 | 43.2 | 1.25 |
| F-WCSG-967824 | 960 | 1 | 96 | 24 | 46.08 | 1.33 |
| F-WCSG-786030 | 764 | 1 | 78 | 30 | 46.8 | 1.35 |
| F-WCSG-846630 | 827 | 1 | 84 | 30 | 50.4 | 1.46 |
| F-WCSG-907230 | 943 | 1 | 90 | 30 | 54 | 1.56 |
| F-WCSG-967830 | 1020 | 1 | 96 | 30 | 57.6 | 1.67 |
| F-WCSG-786036 | 799 | 1 | 78 | 36 | 56.16 | 1.63 |
| F-WCSG-846636 | 864 | 1 | 84 | 36 | 60.48 | 1.75 |
| F-WCSG-907236 | 984 | 1 | 90 | 36 | 64.8 | 1.88 |
| F-WCSG-967836 | 1062 | 1 | 96 | 36 | 69.12 | 2 |



What's Included:

Straight return work surface (1).

How to Specify:

Work surface can be supported by a high credenza and a single support leg, a high credenza with one support gable or two support gables.

Edge color will default to match the surface color of the work surface unless otherwise specified.

Notes:

Straight return work surface is 1-inch thick.

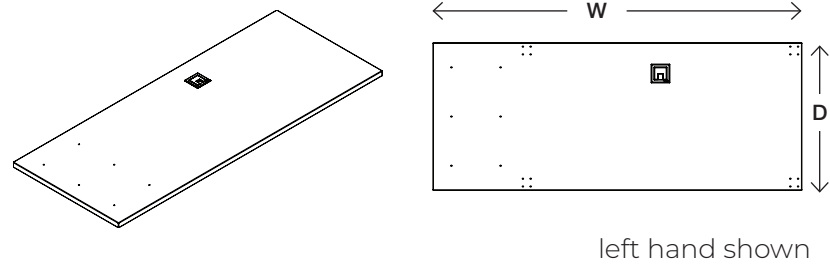
All work surfaces have 2mm vinyl edge trim.

Low pressure laminate is available on the top surface of a work surface.

Options:

| | | | |
|-----------------------|-----------------------------------|-------------------|-------------------|
| Width | 54", 60", 66", 72", 78", 84", 90" | | |
| Depth | 24", 30", 36" | | |
| Grommet side | L left | R right | |
| Grommet Color | P112 silver | P121 white | P114 black |
| Work surface Laminate | laminate color | | |

| Code | Price | H (in.) | W (in.) | D1 (in.) | Wt (lb) | Vol (ft³) | Code | Price | H (in.) | W (in.) | D1 (in.) | Wt (lb) | Vol (ft³) |
|-----------------|-------|---------|---------|----------|---------|-----------|-----------------|-------|---------|---------|----------|---------|-----------|
| F-WC0G-543624-L | 545 | 19 | 54 | 24 | 28.8 | 0.75 | F-WC0G-725430-R | 705 | 19 | 72 | 30 | 40.5 | 1.25 |
| F-WC0G-543624-R | 545 | 19 | 54 | 24 | 28.8 | 0.75 | F-WC0G-725436-L | 736 | 19 | 72 | 36 | 47.4 | 1.5 |
| F-WC0G-543630-L | 570 | 19 | 54 | 30 | 36 | 0.94 | F-WC0G-725436-R | 736 | 19 | 72 | 36 | 47.4 | 1.5 |
| F-WC0G-543630-R | 570 | 19 | 54 | 30 | 36 | 0.94 | F-WC0G-786024-L | 719 | 19 | 78 | 24 | 36.8 | 1.08 |
| F-WC0G-543636-L | 594 | 19 | 54 | 36 | 43.2 | 1.13 | F-WC0G-786024-R | 719 | 19 | 78 | 24 | 36.8 | 1.08 |
| F-WC0G-543636-R | 594 | 19 | 54 | 36 | 43.2 | 1.13 | F-WC0G-786030-L | 764 | 19 | 78 | 30 | 42 | 1.35 |
| F-WC0G-604224-L | 571 | 19 | 60 | 24 | 30.8 | 0.83 | F-WC0G-786030-R | 764 | 19 | 78 | 30 | 42 | 1.35 |
| F-WC0G-604224-R | 571 | 19 | 60 | 24 | 30.8 | 0.83 | F-WC0G-786036-L | 799 | 19 | 78 | 36 | 48.8 | 1.63 |
| F-WC0G-604230-L | 602 | 19 | 60 | 30 | 37.5 | 1.04 | F-WC0G-786036-R | 799 | 19 | 78 | 36 | 48.8 | 1.63 |
| F-WC0G-604230-R | 602 | 19 | 60 | 30 | 37.5 | 1.04 | F-WC0G-846624-L | 783 | 19 | 84 | 24 | 38.8 | 1.17 |
| F-WC0G-604236-L | 629 | 19 | 60 | 36 | 44.6 | 1.25 | F-WC0G-846624-R | 783 | 19 | 84 | 24 | 38.8 | 1.17 |
| F-WC0G-604236-R | 629 | 19 | 60 | 36 | 44.6 | 1.25 | F-WC0G-846630-L | 827 | 19 | 84 | 30 | 43.5 | 1.46 |
| F-WC0G-664824-L | 637 | 19 | 66 | 24 | 32.8 | 0.92 | F-WC0G-846630-R | 827 | 19 | 84 | 30 | 43.5 | 1.46 |
| F-WC0G-664824-R | 637 | 19 | 66 | 24 | 32.8 | 0.92 | F-WC0G-846636-L | 864 | 19 | 84 | 36 | 50.2 | 1.75 |
| F-WC0G-664830-L | 686 | 19 | 66 | 30 | 39 | 1.15 | F-WC0G-846636-R | 864 | 19 | 84 | 36 | 50.2 | 1.75 |
| F-WC0G-664830-R | 686 | 19 | 66 | 30 | 39 | 1.15 | F-WC0G-907224-L | 887 | 19 | 90 | 24 | 40.8 | 1.25 |
| F-WC0G-664836-L | 716 | 19 | 66 | 36 | 46 | 1.38 | F-WC0G-907224-R | 887 | 19 | 90 | 24 | 40.8 | 1.25 |
| F-WC0G-664836-R | 716 | 19 | 66 | 36 | 46 | 1.38 | F-WC0G-907230-L | 943 | 19 | 90 | 30 | 45 | 1.56 |
| F-WC0G-725424-L | 662 | 19 | 72 | 24 | 34.8 | 1 | F-WC0G-907230-R | 943 | 19 | 90 | 30 | 45 | 1.56 |
| F-WC0G-725424-R | 662 | 19 | 72 | 24 | 34.8 | 1 | F-WC0G-907236-L | 984 | 19 | 90 | 36 | 51.6 | 1.87 |
| F-WC0G-725430-L | 705 | 19 | 72 | 30 | 40.5 | 1.25 | F-WC0G-907236-R | 984 | 19 | 90 | 36 | 51.6 | 1.87 |



What's Included:

Flag storage straight worksurface (1) with an offset grommet (1).

How to Specify:

Worksurface can be supported by a high credenza and a single support leg, a high credenza with one support gable or two support gables.

Edge color will default to match the surface color of the worksurface unless otherwise specified.

Notes:

Flag storage straight worksurface is 1-inch thick.

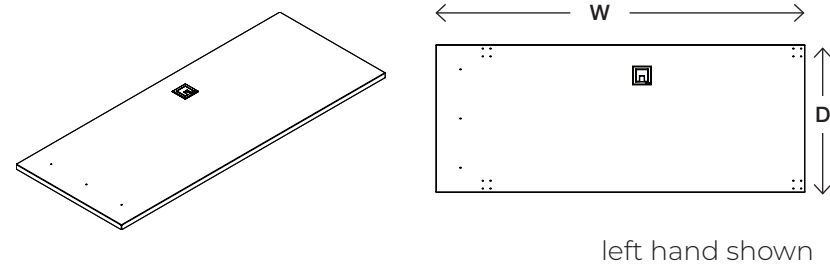
All worksurfaces have 2mm vinyl edge trim.

Low pressure laminate is available on the top surface of a worksurface.

Options:

| | | | |
|----------------------|-------------------------|-------------------|-------------------|
| Width | 72", 78", 84", 90", 96" | | |
| Depth | 24", 30", 36" | | |
| Flag storage | L left | R right | |
| Grommet Color | P112 silver | P121 white | P114 black |
| Worksurface Laminate | laminate color | | |

| Code | Price | H (in.) | W (in.) | D1 (in.) | Wt (lb) | Vol (ft³) | Code | Price | H (in.) | W (in.) | D1 (in.) | Wt (lb) | Vol (ft³) |
|-----------------|-------|---------|---------|----------|---------|-----------|-----------------|-------|---------|---------|----------|---------|-----------|
| F-WF0G-604624-L | 571 | 19 | 60 | 24 | 28.8 | 0.83 | F-WF0G-786430-R | 764 | 19 | 78 | 30 | 46.8 | 1.35 |
| F-WF0G-604624-R | 571 | 19 | 60 | 24 | 28.8 | 0.83 | F-WF0G-786436-L | 799 | 19 | 78 | 36 | 56.16 | 1.63 |
| F-WF0G-604630-L | 602 | 19 | 60 | 30 | 36 | 1.04 | F-WF0G-786436-R | 799 | 19 | 78 | 36 | 56.16 | 1.63 |
| F-WF0G-604630-R | 602 | 19 | 60 | 30 | 36 | 1.04 | F-WF0G-847024-L | 783 | 19 | 84 | 24 | 40.32 | 1.17 |
| F-WF0G-604636-L | 629 | 19 | 60 | 36 | 47.52 | 1.25 | F-WF0G-847024-R | 783 | 19 | 84 | 24 | 40.32 | 1.17 |
| F-WF0G-604636-R | 629 | 19 | 60 | 36 | 47.52 | 1.25 | F-WF0G-847030-L | 827 | 19 | 84 | 30 | 50.4 | 1.46 |
| F-WF0G-665224-L | 637 | 19 | 66 | 24 | 31.68 | 0.92 | F-WF0G-847030-R | 827 | 19 | 84 | 30 | 50.4 | 1.46 |
| F-WF0G-665224-R | 637 | 19 | 66 | 24 | 31.68 | 0.92 | F-WF0G-847036-L | 864 | 19 | 84 | 36 | 60.48 | 1.75 |
| F-WF0G-665230-L | 686 | 19 | 66 | 30 | 39.6 | 1.15 | F-WF0G-847036-R | 864 | 19 | 84 | 36 | 60.48 | 1.75 |
| F-WF0G-665230-R | 686 | 19 | 66 | 30 | 39.6 | 1.15 | F-WF0G-907624-L | 887 | 19 | 90 | 24 | 43.2 | 1.25 |
| F-WF0G-665236-L | 716 | 19 | 66 | 36 | 47.52 | 1.38 | F-WF0G-907624-R | 887 | 19 | 90 | 24 | 43.2 | 1.25 |
| F-WF0G-665236-R | 716 | 19 | 66 | 36 | 47.52 | 1.38 | F-WF0G-907630-L | 943 | 19 | 90 | 30 | 54 | 1.56 |
| F-WF0G-725824-L | 662 | 19 | 72 | 24 | 34.56 | 1 | F-WF0G-907630-R | 943 | 19 | 90 | 30 | 54 | 1.56 |
| F-WF0G-725824-R | 662 | 19 | 72 | 24 | 34.56 | 1 | F-WF0G-907636-L | 984 | 19 | 90 | 36 | 64.8 | 1.88 |
| F-WF0G-725830-L | 705 | 19 | 72 | 30 | 43.2 | 1.25 | F-WF0G-907636-R | 984 | 19 | 90 | 36 | 64.8 | 1.88 |
| F-WF0G-725830-R | 705 | 19 | 72 | 30 | 43.2 | 1.25 | F-WF0G-968224-L | 960 | 19 | 96 | 24 | 46.08 | 1.33 |
| F-WF0G-725836-L | 736 | 19 | 72 | 36 | 51.84 | 1.5 | F-WF0G-968224-R | 960 | 19 | 96 | 24 | 46.08 | 1.33 |
| F-WF0G-725836-R | 736 | 19 | 72 | 36 | 51.84 | 1.5 | F-WF0G-968230-L | 1020 | 19 | 96 | 30 | 57.6 | 1.67 |
| F-WF0G-786424-L | 719 | 19 | 78 | 24 | 37.44 | 1.08 | F-WF0G-968230-R | 1020 | 19 | 96 | 30 | 57.6 | 1.67 |
| F-WF0G-786424-R | 719 | 19 | 78 | 24 | 37.44 | 1.08 | F-WF0G-968236-L | 1062 | 19 | 96 | 36 | 69.12 | 2 |
| F-WF0G-786430-L | 764 | 19 | 78 | 30 | 46.8 | 1.35 | F-WF0G-968236-R | 1062 | 19 | 96 | 36 | 69.12 | 2 |



What's Included:

Flag storage straight worksurface (1) with an offset grommet (1).

How to Specify:

Worksurface can be supported by a high credenza and a single support leg, a high credenza with one support gable or two support gables.

Edge color will default to match the surface color of the worksurface unless otherwise specified.

Notes:

Flag storage straight worksurface is 1-inch thick.

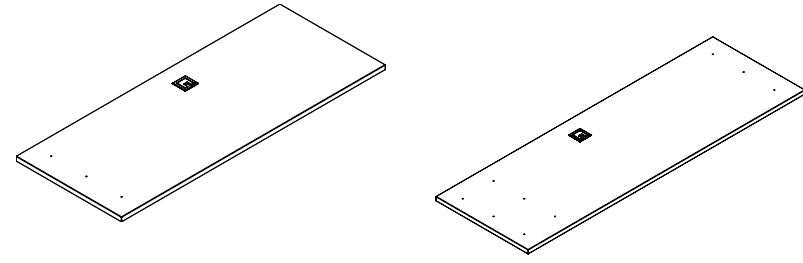
All worksurfaces have 2mm vinyl edge trim.

Low pressure laminate is available on the top surface of a worksurface.

Options:

| | | | |
|----------------------|-------------------------|-------------------|-------------------|
| Width | 72", 78", 84", 90", 96" | | |
| Depth | 24", 30", 36" | | |
| Flag storage | L left | R right | |
| Grommet Color | P112 silver | P121 white | P114 black |
| Worksurface Laminate | laminate color | | |

| Code | Price | H (in.) | W (in.) | D 1 (in.) | Wt (lb) | Vol (ft³) | Code | Price | H (in.) | W (in.) | D 1 (in.) | Wt (lb) | Vol (ft³) |
|-----------------|-------|---------|---------|-----------|---------|-----------|-----------------|-------|---------|---------|-----------|---------|-----------|
| F-WF1G-605324-L | 571 | 19 | 60 | 24 | 28.8 | 0.83 | F-WF1G-787130-R | 764 | 19 | 78 | 30 | 46.8 | 1.35 |
| F-WF1G-605324-R | 571 | 19 | 60 | 24 | 28.8 | 0.83 | F-WF1G-787136-L | 799 | 19 | 78 | 36 | 56.16 | 1.63 |
| F-WF1G-605330-L | 602 | 19 | 60 | 30 | 36 | 1.04 | F-WF1G-787136-R | 799 | 19 | 78 | 36 | 56.16 | 1.63 |
| F-WF1G-605330-R | 602 | 19 | 60 | 30 | 36 | 1.04 | F-WF1G-847724-L | 783 | 19 | 84 | 24 | 40.32 | 1.17 |
| F-WF1G-605336-L | 629 | 19 | 60 | 36 | 43.2 | 1.25 | F-WF1G-847724-R | 783 | 19 | 84 | 24 | 40.32 | 1.17 |
| F-WF1G-605336-R | 629 | 19 | 60 | 36 | 43.2 | 1.25 | F-WF1G-847730-L | 827 | 19 | 84 | 30 | 50.4 | 1.46 |
| F-WF1G-665924-L | 637 | 19 | 66 | 24 | 31.68 | 0.92 | F-WF1G-847730-R | 827 | 19 | 84 | 30 | 50.4 | 1.46 |
| F-WF1G-665924-R | 637 | 19 | 66 | 24 | 31.68 | 0.92 | F-WF1G-847736-L | 864 | 19 | 84 | 36 | 60.48 | 1.75 |
| F-WF1G-665930-L | 686 | 19 | 66 | 30 | 39.6 | 1.15 | F-WF1G-847736-R | 864 | 19 | 84 | 36 | 60.48 | 1.75 |
| F-WF1G-665930-R | 686 | 19 | 66 | 30 | 39.6 | 1.15 | F-WF1G-908324-L | 887 | 19 | 90 | 24 | 43.2 | 1.25 |
| F-WF1G-665936-L | 716 | 19 | 66 | 36 | 47.52 | 1.38 | F-WF1G-908324-R | 887 | 19 | 90 | 24 | 43.2 | 1.25 |
| F-WF1G-665936-R | 716 | 19 | 66 | 36 | 47.52 | 1.38 | F-WF1G-908330-L | 943 | 19 | 90 | 30 | 54 | 1.56 |
| F-WF1G-726524-L | 662 | 19 | 72 | 24 | 34.56 | 1 | F-WF1G-908330-R | 943 | 19 | 90 | 30 | 54 | 1.56 |
| F-WF1G-726524-R | 662 | 19 | 72 | 24 | 34.56 | 1 | F-WF1G-908336-L | 984 | 19 | 90 | 36 | 64.8 | 1.88 |
| F-WF1G-726530-L | 705 | 19 | 72 | 30 | 43.2 | 1.25 | F-WF1G-908336-R | 984 | 19 | 90 | 36 | 64.8 | 1.88 |
| F-WF1G-726530-R | 705 | 19 | 72 | 30 | 43.2 | 1.25 | F-WF1G-968924-L | 960 | 19 | 96 | 24 | 46.08 | 1.33 |
| F-WF1G-726536-L | 736 | 19 | 72 | 36 | 51.84 | 1.5 | F-WF1G-968924-R | 960 | 19 | 96 | 24 | 46.08 | 1.33 |
| F-WF1G-726536-R | 736 | 19 | 72 | 36 | 51.84 | 1.5 | F-WF1G-968930-L | 1020 | 19 | 96 | 30 | 57.6 | 1.67 |
| F-WF1G-787124-L | 719 | 19 | 78 | 24 | 37.44 | 1.08 | F-WF1G-968930-R | 1020 | 19 | 96 | 30 | 57.6 | 1.67 |
| F-WF1G-787124-R | 719 | 19 | 78 | 24 | 37.44 | 1.08 | F-WF1G-968936-L | 1062 | 19 | 96 | 36 | 69.12 | 2 |
| F-WF1G-787130-L | 764 | 19 | 78 | 30 | 46.8 | 1.35 | F-WF1G-968936-R | 1062 | 19 | 96 | 36 | 69.12 | 2 |



What's Included:

Flag storage straight worksurface (1) with an offset grommet (1).

How to Specify:

Worksurface can be supported by a high credenza and a single support leg, a high credenza with one support gable or two support gables.

Edge color will default to match the surface color of the worksurface unless otherwise specified.

Notes:

Flag storage straight desk worksurface is 1-inch thick.

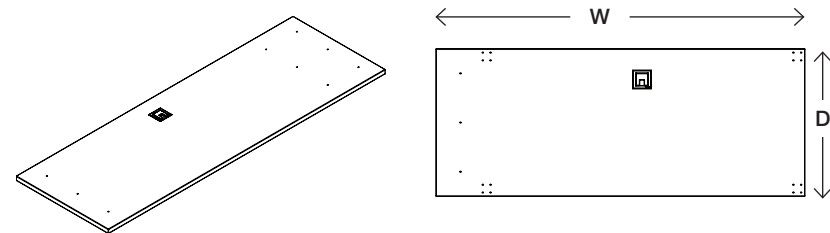
All worksurfaces have 2mm vinyl edge trim.

Low pressure laminate is available on the top surface of a worksurface.

Options:

| | | | |
|----------------------|-------------------------|-------------------|-------------------|
| Width | 72", 78", 84", 90", 96" | | |
| Depth | 24", 30", 36" | | |
| Flag storage | L left | R right | |
| Grommet Color | P112 silver | P121 white | P114 black |
| Worksurface Laminate | laminate color | | |

| Code | Price | H (in.) | W (in.) | D 1 (in.) | Wt (lb) | Vol (ft ³) | Code | Price | H (in.) | W (in.) | D 1 (in.) | Wt (lb) | Vol (ft ³) |
|-----------------|-------|---------|---------|-----------|---------|------------------------|-----------------|-------|---------|---------|-----------|---------|------------------------|
| F-WF1G-968936-R | 1062 | 19 | 96 | 36 | 69.12 | 2 | F-WF2G-967524-R | 960 | 19 | 96 | 24 | 46.08 | 1.33 |
| F-WF2G-725124-L | 662 | 19 | 72 | 24 | 34.56 | 1 | F-WF2G-967530-L | 1020 | 19 | 96 | 30 | 57.6 | 1.67 |
| F-WF2G-725124-R | 662 | 19 | 72 | 24 | 34.56 | 1 | F-WF2G-967530-R | 1020 | 19 | 96 | 30 | 57.6 | 1.67 |
| F-WF2G-725130-L | 705 | 19 | 72 | 30 | 43.2 | 1.25 | F-WF2G-967536-L | 1062 | 19 | 96 | 36 | 69.12 | 2 |
| F-WF2G-725130-R | 705 | 19 | 72 | 30 | 43.2 | 1.25 | F-WF2G-967536-R | 1062 | 19 | 96 | 36 | 69.12 | 2 |
| F-WF2G-725136-L | 736 | 19 | 72 | 36 | 51.84 | 1.5 | F-WF2G-604624 | 571 | 19 | 60 | 24 | 28.8 | 0.83 |
| F-WF2G-725136-R | 736 | 19 | 72 | 36 | 51.84 | 1.5 | F-WF2G-665224 | 637 | 19 | 66 | 24 | 31.68 | 0.92 |
| F-WF2G-785724-L | 719 | 19 | 78 | 24 | 37.44 | 1.08 | F-WF2G-725824 | 662 | 19 | 72 | 24 | 34.56 | 1 |
| F-WF2G-785724-R | 719 | 19 | 78 | 24 | 37.44 | 1.08 | F-WF2G-786424 | 719 | 19 | 78 | 24 | 37.44 | 1.08 |
| F-WF2G-785730-L | 764 | 19 | 78 | 30 | 46.8 | 1.35 | F-WF2G-847024 | 783 | 19 | 84 | 24 | 40.32 | 1.17 |
| F-WF2G-785730-R | 764 | 19 | 78 | 30 | 46.8 | 1.35 | F-WF2G-907624 | 887 | 19 | 90 | 24 | 43.2 | 1.25 |
| F-WF2G-785736-L | 799 | 19 | 78 | 36 | 56.16 | 1.63 | F-WF2G-968224 | 960 | 19 | 96 | 24 | 46.08 | 1.33 |
| F-WF2G-785736-R | 799 | 19 | 78 | 36 | 56.16 | 1.63 | F-WF2G-604630 | 602 | 19 | 60 | 30 | 36 | 1.04 |
| F-WF2G-846324-L | 783 | 19 | 84 | 24 | 40.32 | 1.17 | F-WF2G-665230 | 686 | 19 | 66 | 30 | 39.6 | 1.15 |
| F-WF2G-846324-R | 783 | 19 | 84 | 24 | 40.32 | 1.17 | F-WF2G-725830 | 705 | 19 | 72 | 30 | 43.2 | 1.25 |
| F-WF2G-846330-L | 827 | 19 | 84 | 30 | 50.4 | 1.46 | F-WF2G-786430 | 764 | 19 | 78 | 30 | 46.8 | 1.35 |
| F-WF2G-846330-R | 827 | 19 | 84 | 30 | 50.4 | 1.46 | F-WF2G-847030 | 827 | 19 | 84 | 30 | 50.4 | 1.46 |
| F-WF2G-846336-L | 864 | 19 | 84 | 36 | 60.48 | 1.75 | F-WF2G-907630 | 943 | 19 | 90 | 30 | 54 | 1.56 |
| F-WF2G-846336-R | 864 | 19 | 84 | 36 | 60.48 | 1.75 | F-WF2G-968230 | 1020 | 19 | 96 | 30 | 57.6 | 1.67 |
| F-WF2G-906924-L | 887 | 19 | 90 | 24 | 43.2 | 1.25 | F-WF2G-604636 | 629 | 19 | 60 | 36 | 43.2 | 1.25 |
| F-WF2G-906924-R | 887 | 19 | 90 | 24 | 43.2 | 1.25 | F-WF2G-665236 | 716 | 19 | 66 | 36 | 47.52 | 1.38 |
| F-WF2G-906930-L | 943 | 19 | 90 | 30 | 54 | 1.56 | F-WF2G-725836 | 736 | 19 | 72 | 36 | 51.84 | 1.5 |
| F-WF2G-906930-R | 943 | 19 | 90 | 30 | 54 | 1.56 | F-WF2G-786436 | 799 | 19 | 78 | 36 | 56.16 | 1.63 |
| F-WF2G-906936-L | 984 | 19 | 90 | 36 | 64.8 | 1.88 | F-WF2G-847036 | 864 | 19 | 84 | 36 | 60.48 | 1.75 |
| F-WF2G-906936-R | 984 | 19 | 90 | 36 | 64.8 | 1.88 | F-WF2G-907636 | 984 | 19 | 90 | 36 | 64.8 | 1.88 |
| F-WF2G-967524-L | 960 | 19 | 96 | 24 | 46.08 | 1.33 | F-WF2G-968236 | 1062 | 19 | 96 | 36 | 69.12 | 2 |



What's Included:

Flag storage straight worksurface (1) with a center grommet (1).

How to Specify:

Worksurface can be supported by a high credenza and a single support leg, a high credenza with one support gable or two support gables.

Edge color will default to match the surface color of the worksurface unless otherwise specified.

Notes:

Flag storage straight desk worksurface is 1-inch thick.

All worksurfaces have 2mm vinyl edge trim.

Low pressure laminate is available on the top surface of a worksurface.

Options:

| | | | |
|----------------------|-----------------------------------|-------------------|-------------------|
| Width | 60", 66", 72", 78", 84", 90", 96" | | |
| Depth | 24", 30", 36" | | |
| Grommet Color | P112 silver | P121 white | P114 black |
| Worksurface Laminate | laminate color | | |

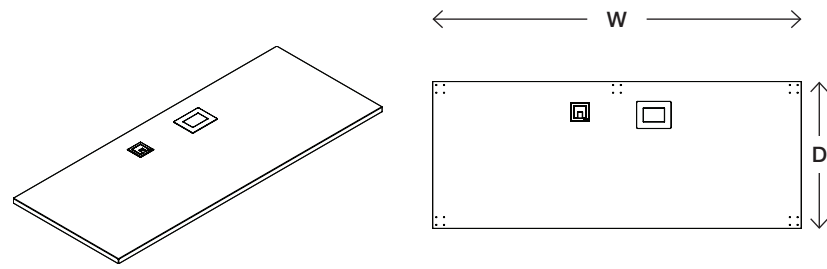
| Code | Price | H (in.) | W (in.) | D 1 (in.) | Weight (lb) | Volume (ft ³) |
|---------------|-------|---------|---------|-----------|-------------|---------------------------|
| F-WF2G-604624 | 571 | 1 | 60 | 24 | 28.8 | 0.83 |
| F-WF2G-665224 | 637 | 1 | 66 | 24 | 31.68 | 0.92 |
| F-WF2G-725824 | 662 | 1 | 72 | 24 | 34.56 | 1 |
| F-WF2G-786424 | 719 | 1 | 78 | 24 | 37.44 | 1.08 |
| F-WF2G-847024 | 783 | 1 | 84 | 24 | 40.32 | 1.17 |
| F-WF2G-907624 | 887 | 1 | 90 | 24 | 43.2 | 1.25 |
| F-WF2G-968224 | 960 | 1 | 96 | 24 | 46.08 | 1.33 |
| F-WF2G-604630 | 602 | 1 | 60 | 30 | 36 | 1.04 |
| F-WF2G-665230 | 686 | 1 | 66 | 30 | 39.6 | 1.15 |
| F-WF2G-725830 | 705 | 1 | 72 | 30 | 43.2 | 1.25 |
| F-WF2G-786430 | 764 | 1 | 78 | 30 | 46.8 | 1.35 |
| F-WF2G-847030 | 827 | 1 | 84 | 30 | 50.4 | 1.46 |
| F-WF2G-907630 | 943 | 1 | 90 | 30 | 54 | 1.56 |
| F-WF2G-968230 | 1020 | 1 | 96 | 30 | 57.6 | 1.67 |
| F-WF2G-604636 | 629 | 1 | 60 | 36 | 43.2 | 1.25 |
| F-WF2G-665236 | 716 | 1 | 66 | 36 | 47.52 | 1.38 |
| F-WF2G-725836 | 736 | 1 | 72 | 36 | 51.84 | 1.5 |
| F-WF2G-786436 | 799 | 1 | 78 | 36 | 56.16 | 1.63 |
| F-WF2G-847036 | 864 | 1 | 84 | 36 | 60.48 | 1.75 |
| F-WF2G-907636 | 984 | 1 | 90 | 36 | 64.8 | 1.88 |
| F-WF2G-968236 | 1062 | 1 | 96 | 36 | 69.12 | 2 |



Scene Pricebook
January 2026
**Surfaces with
Power Grommet**

surfaces with power grommet

| | |
|---|-----|
| <u>straight worksurface</u> | 156 |
| <u>credenza surface straight return</u> | 158 |



What's Included:

Straight worksurface (1) with a cable grommet (1) and a power grommet (1). Power grommet comes with a power outlet (1) and a USB port (1).

How to Specify:

Worksurface can be supported by a high credenza and a single support leg, a high credenza with one support gable or two support gables.

Grommet can be specified in silver, white or black.

Edge color will default to match the surface color of the worksurface unless otherwise specified.

Edge color will default to match the surface color of the worksurface unless otherwise specified.

Notes:

Straight worksurface is 1-inch thick.

All worksurfaces have 2mm vinyl edge trim.

Low pressure laminate is available on the top surface of a worksurface.

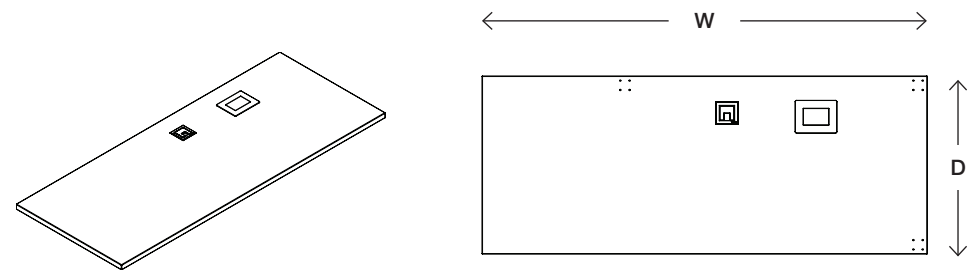
Options:

| | | | |
|----------------------|---|-------------------|-------------------|
| Width | 36", 42", 48", 54", 60", 66", 72", 78", 84", 90", 96" | | |
| Depth | 24", 30", 36" | | |
| Grommet Color | P112 silver | P121 white | P114 black |
| Worksurface Laminate | laminate color | | |

How to Order and Read your Code:

| | | | |
|--------------|-------------|-----------|-----------|
| F | WSPG | 60 | 30 |
| product line | item | width | depth |

| Code | Price | H (in.) | W (in.) | D 1 (in.) | Weight (lb) | Volume (ft ³) |
|-------------|-------|---------|---------|-----------|-------------|---------------------------|
| F-WSPG-3624 | 1224 | 1 | 36 | 24 | 17.28 | 0.5 |
| F-WSPG-4224 | 1286 | 1 | 42 | 24 | 20.16 | 0.58 |
| F-WSPG-4824 | 1319 | 1 | 48 | 24 | 23.04 | 0.67 |
| F-WSPG-5424 | 1410 | 1 | 54 | 24 | 25.92 | 0.75 |
| F-WSPG-6024 | 1440 | 1 | 60 | 24 | 28.8 | 0.83 |
| F-WSPG-6624 | 1501 | 1 | 66 | 24 | 31.68 | 0.92 |
| F-WSPG-7224 | 1529 | 1 | 72 | 24 | 34.56 | 1 |
| F-WSPG-7824 | 1591 | 1 | 78 | 24 | 37.44 | 1.08 |
| F-WSPG-8424 | 1646 | 1 | 84 | 24 | 40.32 | 1.17 |
| F-WSPG-9024 | 1752 | 1 | 90 | 24 | 43.2 | 1.25 |
| F-WSPG-9624 | 1828 | 1 | 96 | 24 | 46.08 | 1.33 |
| F-WSPG-3630 | 1300 | 1 | 36 | 30 | 21.6 | 0.63 |
| F-WSPG-4230 | 1333 | 1 | 42 | 30 | 25.2 | 0.73 |
| F-WSPG-4830 | 1376 | 1 | 48 | 30 | 28.8 | 0.83 |
| F-WSPG-5430 | 1436 | 1 | 54 | 30 | 32.4 | 0.94 |
| F-WSPG-6030 | 1469 | 1 | 60 | 30 | 36 | 1.04 |
| F-WSPG-6630 | 1550 | 1 | 66 | 30 | 39.6 | 1.15 |
| F-WSPG-7230 | 1569 | 1 | 72 | 30 | 43.2 | 1.25 |
| F-WSPG-7830 | 1634 | 1 | 78 | 30 | 46.8 | 1.35 |
| F-WSPG-8430 | 1694 | 1 | 84 | 30 | 50.4 | 1.46 |
| F-WSPG-9030 | 1807 | 1 | 90 | 30 | 54 | 1.56 |
| F-WSPG-9630 | 1882 | 1 | 96 | 30 | 57.6 | 1.67 |
| F-WSPG-3636 | 1319 | 1 | 36 | 36 | 25.92 | 0.75 |
| F-WSPG-4236 | 1356 | 1 | 42 | 36 | 30.24 | 0.88 |
| F-WSPG-4836 | 1396 | 1 | 48 | 36 | 34.56 | 1 |
| F-WSPG-5436 | 1458 | 1 | 54 | 36 | 38.88 | 1.13 |
| F-WSPG-6036 | 1495 | 1 | 60 | 36 | 43.2 | 1.25 |
| F-WSPG-6636 | 1578 | 1 | 66 | 36 | 47.52 | 1.38 |
| F-WSPG-7236 | 1603 | 1 | 72 | 36 | 51.84 | 1.5 |
| F-WSPG-7836 | 1664 | 1 | 78 | 36 | 56.16 | 1.63 |
| F-WSPG-8436 | 1733 | 1 | 84 | 36 | 60.48 | 1.75 |
| F-WSPG-9036 | 1850 | 1 | 90 | 36 | 64.8 | 1.88 |
| F-WSPG-9636 | 1927 | 1 | 96 | 36 | 69.12 | 2 |



What's Included:

Credenza worksurface (1) with cable, grommet (1) and a power grommet (1). Power grommet comes with a power outlet (1) and a USB port (1).

How to Specify:

Worksurface can be supported by a high credenza and a single support leg, a high credenza with one support gable or two support gables.

Grommet can be specified in silver, white or black.

Edge color will default to match the surface color of the worksurface unless otherwise specified.

Notes:

Straight credenza worksurface is 1-inch thick.

All worksurfaces have 2mm vinyl edge trim.

Low pressure laminate is available on the top surface of a worksurface.

Options:

| | | | |
|----------------------|-----------------------------------|-------------------|-------------------|
| Width | 54", 60", 66", 72", 78", 84", 90" | | |
| Depth | 24", 30", 36" | | |
| Grommet Color | P112 silver | P121 white | P114 black |
| Worksurface Laminate | laminate color | | |

How to Order and Read your Code:

F **WCPG** **60** **30**
 product line item width depth

| Code | Price | H (in.) | W (in.) | D 1 (in.) | Weight (lb) | Volume (ft ³) |
|-----------------|-------|---------|---------|-----------|-------------|---------------------------|
| F-WCPG-543624-L | 1410 | 1 | 54 | 24 | 28.8 | 0.75 |
| F-WCPG-543624-R | 1410 | 1 | 54 | 24 | 28.8 | 0.75 |
| F-WCPG-543630-L | 1436 | 1 | 54 | 30 | 36 | 0.94 |
| F-WCPG-543630-R | 1436 | 1 | 54 | 30 | 36 | 0.94 |
| F-WCPG-543636-L | 1458 | 1 | 54 | 36 | 43.2 | 1.13 |
| F-WCPG-543636-R | 1458 | 1 | 54 | 36 | 43.2 | 1.13 |
| F-WCPG-604224-L | 1440 | 1 | 60 | 24 | 30.8 | 0.83 |
| F-WCPG-604224-R | 1440 | 1 | 60 | 24 | 30.8 | 0.83 |

| Code | Price | H (in.) | W (in.) | D 1 (in.) | Weight (lb) | Volume (ft ³) |
|-----------------|-------|---------|---------|-----------|-------------|---------------------------|
| F-WCPG-604230-L | 1469 | 1 | 60 | 30 | 37.5 | 1.04 |
| F-WCPG-604230-R | 1469 | 1 | 60 | 30 | 37.5 | 1.04 |
| F-WCPG-604236-L | 1495 | 1 | 60 | 36 | 44.6 | 1.25 |
| F-WCPG-604236-R | 1495 | 1 | 60 | 36 | 44.6 | 1.25 |
| F-WCPG-664824-L | 1501 | 1 | 66 | 24 | 32.8 | 0.92 |
| F-WCPG-664824-R | 1501 | 1 | 66 | 24 | 32.8 | 0.92 |
| F-WCPG-664830-L | 1550 | 1 | 66 | 30 | 39 | 1.15 |
| F-WCPG-664830-R | 1550 | 1 | 66 | 30 | 39 | 1.15 |
| F-WCPG-664836-L | 1578 | 1 | 66 | 36 | 46 | 1.38 |
| F-WCPG-664836-R | 1578 | 1 | 66 | 36 | 46 | 1.38 |
| F-WCPG-725424-L | 1529 | 1 | 72 | 24 | 34.8 | 1 |
| F-WCPG-725424-R | 1529 | 1 | 72 | 24 | 34.8 | 1 |
| F-WCPG-725430-L | 1569 | 1 | 72 | 30 | 40.5 | 1.25 |
| F-WCPG-725430-R | 1569 | 1 | 72 | 30 | 40.5 | 1.25 |
| F-WCPG-725436-L | 1603 | 1 | 72 | 36 | 47.4 | 1.5 |
| F-WCPG-725436-R | 1603 | 1 | 72 | 36 | 47.4 | 1.5 |
| F-WCPG-786024-L | 1591 | 1 | 78 | 24 | 36.8 | 1.08 |
| F-WCPG-786024-R | 1591 | 1 | 78 | 24 | 36.8 | 1.08 |
| F-WCPG-786030-L | 1634 | 1 | 78 | 30 | 42 | 1.35 |
| F-WCPG-786030-R | 1634 | 1 | 78 | 30 | 42 | 1.35 |
| F-WCPG-786036-L | 1664 | 1 | 78 | 36 | 48.8 | 1.63 |
| F-WCPG-786036-R | 1664 | 1 | 78 | 36 | 48.8 | 1.63 |
| F-WCPG-846624-L | 1646 | 1 | 84 | 24 | 38.8 | 1.17 |
| F-WCPG-846624-R | 1646 | 1 | 84 | 24 | 38.8 | 1.17 |
| F-WCPG-846630-L | 1694 | 1 | 84 | 30 | 43.5 | 1.46 |
| F-WCPG-846630-R | 1694 | 1 | 84 | 30 | 43.5 | 1.46 |
| F-WCPG-846636-L | 1733 | 1 | 84 | 36 | 50.2 | 1.75 |
| F-WCPG-846636-R | 1733 | 1 | 84 | 36 | 50.2 | 1.75 |
| F-WCPG-907224-L | 1752 | 1 | 90 | 24 | 40.8 | 1.25 |
| F-WCPG-907224-R | 1752 | 1 | 90 | 24 | 40.8 | 1.25 |
| F-WCPG-907230-L | 1807 | 1 | 90 | 30 | 45 | 1.56 |
| F-WCPG-907230-R | 1807 | 1 | 90 | 30 | 45 | 1.56 |
| F-WCPG-907236-L | 1850 | 1 | 90 | 36 | 51.6 | 1.88 |
| F-WCPG-907236-R | 1850 | 1 | 90 | 36 | 51.6 | 1.88 |



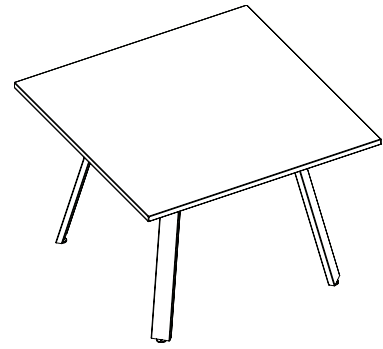
Scene Pricebook
January 2026

Table

table

freestanding square table 162

freestanding round table 163



What's Included:

Square table top (1) and four single support legs (4).

How to Specify:

Edge color will default to match the surface color of the worksurface unless otherwise specified.

Options:

| | |
|----------------------|---|
| Width | 36", 42", 48" |
| Worksurface Laminate | laminate color |
| Leg Color | Refer to metal paint card for metal paint colors. |

Notes:

Table top is 1-inch thick.

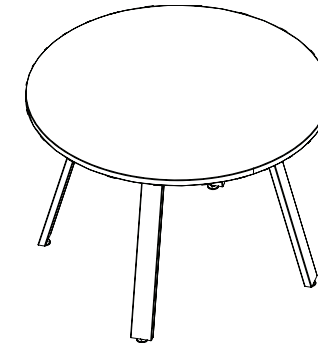
All worksurfaces have 2mm vinyl edge trim.

Low pressure laminate is available on the top surface of a worksurface.

How to Order and Read your Code:

| | | | |
|--------------|-------------|-----------|-----------|
| F | TSSL | 42 | 42 |
| product line | item | width | depth |

| Code | Price | H (in.) | W (in.) | D 1 (in.) | Weight (lb) | Volume (ft ³) |
|-------------|-------|---------|---------|-----------|-------------|---------------------------|
| F-TSSL-3636 | 1831 | 29 | 36 | 36 | 97 | 0.75 |
| F-TSSL-4242 | 1990 | 29 | 42 | 42 | 113 | 1.02 |
| F-TSSL-4848 | 2176 | 29 | 48 | 48 | 129.01 | 1.33 |



What's Included:

Round table top (1) and four single support legs (4).

How to Specify:

Edge color will default to match the surface color of the worksurface unless otherwise specified.

Options:

| | |
|----------------------|---|
| Width | 36", 42", 48" |
| Worksurface Laminate | laminate color |
| Leg Color | Refer to metal paint card for metal paint colors. |

Notes:

Table top is 1-inch thick.

All worksurfaces have 2mm vinyl edge trim.

Low pressure laminate is available on the top surface of a worksurface.

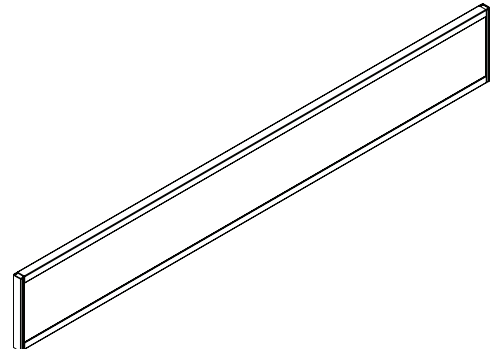
| Code | Price | H (in.) | W (in.) | D 1 (in.) | Weight (lb) | Volume (ft ³) |
|-----------|-------|---------|---------|-----------|-------------|---------------------------|
| F-TOSL-36 | 1953 | 29 | 36 | 36 | 97 | 0.75 |
| F-TOSL-42 | 2136 | 29 | 42 | 42 | 113 | 1.02 |
| F-TOSL-48 | 2340 | 29 | 48 | 48 | 129.01 | 1.33 |



Scene Pricebook
January 2026
Screens

screens

| | | | |
|-------------------------------|-----|---------------------------------|-----|
| privacy screen - end to end | 166 | fabric | 190 |
| solid 166 | | 6" height | 190 |
| 6" height | 167 | 12" height | 191 |
| 12" height | 168 | 14" height | 192 |
| 14" height | 169 | 20" height | 193 |
| 20" height | 170 | frost acrylic | 194 |
| whiteboard | 171 | 6" height | 194 |
| 12" height | 171 | 12" height | 195 |
| 14" height | 172 | 14" height | 196 |
| 20" height | 173 | 20" height | 197 |
| 6" height | 174 | privacy screen - share to share | 198 |
| fabric | 174 | solid | 198 |
| 12" height | 175 | 6" height | 199 |
| 14" height | 176 | 12" height | 200 |
| 20" height | 177 | 14" height | 201 |
| frost acrylic | 178 | 20" height | 202 |
| 6" height | 178 | whiteboard | 203 |
| 12" height | 179 | 12" height | 203 |
| 14" height | 180 | 14" height | 204 |
| 20" height | 181 | 20" height | 205 |
| privacy screen - end to share | 182 | fabric 206 | |
| solid | 182 | 6" height | 206 |
| 6" height | 183 | 12" height | 207 |
| 12" height | 184 | 14" height | 208 |
| 14" height | 185 | 20" height | 209 |
| 20" height | 186 | frost acrylic | 210 |
| whiteboard | 187 | 6" height | 210 |
| 12" height | 187 | 12" height | 211 |
| 14" height | 188 | 14" height | 212 |
| 20" height | 189 | 20" height | 213 |



What's Included:

Privacy Screen (1), Horizontal Rails (2), Privacy Screen Retainers (2)..

How to Specify:

Available in various heights and widths to provide specific workstation requirements

Privacy screens can be specified in solid laminate, whiteboard, fabric tackboard, and frost acrylic.

Notes:

Privacy screen posts are 2-inches by 2-inches wide, sold separately.

Options:

| | |
|-----------------|--|
| Height | 6", 12", 14", 20" |
| Width | 24", 30", 36", 42", 44", 45", 46", 48", 50", 51", 52", 53", 54", 56", 57", 58", 59", 60", 62", 63", 64", 65", 66", 68", 69", 70", 71", 72" |
| Screen material | S solid W whiteboard T fabric/tackboard F frost |

How to Order and Read your Code:

| | | | | |
|--------------|------------|-----------|-----------|----------|
| F | SEE | 12 | 60 | F |
| product line | item | height | width | acrylic |

| Code | Price | H (in.) | W (in.) | D T (in.) | Weight (lb) | Volume (ft ³) |
|--------------|-------|---------|---------|-----------|-------------|---------------------------|
| F-SEE-0624-S | 55 | 5.38 | 20.44 | 0.5 | 2.88 | 0.03 |
| F-SEE-0630-S | 62 | 5.38 | 26.44 | 0.5 | 3.6 | 0.04 |
| F-SEE-0636-S | 72 | 5.38 | 32.44 | 0.5 | 4.32 | 0.05 |
| F-SEE-0642-S | 82 | 5.38 | 38.44 | 0.5 | 5.04 | 0.06 |
| F-SEE-0644-S | 87 | 5.38 | 40.44 | 0.5 | 5.28 | 0.06 |
| F-SEE-0645-S | 87 | 5.38 | 41.44 | 0.5 | 5.4 | 0.06 |
| F-SEE-0646-S | 94 | 5.38 | 42.44 | 0.5 | 5.52 | 0.07 |
| F-SEE-0648-S | 94 | 5.38 | 44.44 | 0.5 | 5.76 | 0.07 |
| F-SEE-0650-S | 98 | 5.38 | 46.44 | 0.5 | 6 | 0.07 |
| F-SEE-0651-S | 98 | 5.38 | 47.44 | 0.5 | 6.12 | 0.07 |
| F-SEE-0652-S | 101 | 5.38 | 48.44 | 0.5 | 6.24 | 0.08 |
| F-SEE-0653-S | 101 | 5.38 | 49.44 | 0.5 | 6.36 | 0.08 |
| F-SEE-0654-S | 101 | 5.38 | 50.44 | 0.5 | 6.48 | 0.08 |
| F-SEE-0656-S | 106 | 5.38 | 52.44 | 0.5 | 6.72 | 0.08 |
| F-SEE-0657-S | 106 | 5.38 | 53.44 | 0.5 | 6.84 | 0.08 |
| F-SEE-0658-S | 114 | 5.38 | 54.44 | 0.5 | 6.96 | 0.08 |
| F-SEE-0659-S | 114 | 5.38 | 55.44 | 0.5 | 7.08 | 0.09 |
| F-SEE-0660-S | 114 | 5.38 | 56.44 | 0.5 | 7.2 | 0.09 |
| F-SEE-0662-S | 117 | 5.38 | 58.44 | 0.5 | 7.44 | 0.09 |
| F-SEE-0663-S | 117 | 5.38 | 59.44 | 0.5 | 7.56 | 0.09 |
| F-SEE-0664-S | 124 | 5.38 | 60.44 | 0.5 | 7.68 | 0.09 |
| F-SEE-0665-S | 124 | 5.38 | 61.44 | 0.5 | 7.8 | 0.1 |
| F-SEE-0666-S | 124 | 5.38 | 62.44 | 0.5 | 7.92 | 0.1 |

| Code | Price | H (in.) | W (in.) | D 1 (in.) | Weight (lb) | Volume (ft ³) |
|--------------|-------|---------|---------|-----------|-------------|---------------------------|
| F-SEE-1224-S | 68 | 11.38 | 20.44 | 0.5 | 5.76 | 0.07 |
| F-SEE-1230-S | 81 | 11.38 | 26.44 | 0.5 | 7.2 | 0.09 |
| F-SEE-1236-S | 96 | 11.38 | 32.44 | 0.5 | 8.64 | 0.11 |
| F-SEE-1242-S | 107 | 11.38 | 38.44 | 0.5 | 10.08 | 0.13 |
| F-SEE-1244-S | 116 | 11.38 | 40.44 | 0.5 | 10.56 | 0.13 |
| F-SEE-1245-S | 116 | 11.38 | 41.44 | 0.5 | 10.8 | 0.14 |
| F-SEE-1246-S | 124 | 11.38 | 42.44 | 0.5 | 11.04 | 0.14 |
| F-SEE-1248-S | 124 | 11.38 | 44.44 | 0.5 | 11.52 | 0.15 |
| F-SEE-1250-S | 129 | 11.38 | 46.44 | 0.5 | 12 | 0.15 |
| F-SEE-1251-S | 129 | 11.38 | 47.44 | 0.5 | 12.24 | 0.16 |
| F-SEE-1252-S | 136 | 11.38 | 48.44 | 0.5 | 12.48 | 0.16 |
| F-SEE-1253-S | 136 | 11.38 | 49.44 | 0.5 | 12.72 | 0.16 |
| F-SEE-1254-S | 136 | 11.38 | 50.44 | 0.5 | 12.96 | 0.17 |
| F-SEE-1256-S | 144 | 11.38 | 52.44 | 0.5 | 13.44 | 0.17 |
| F-SEE-1257-S | 144 | 11.38 | 53.44 | 0.5 | 13.68 | 0.18 |
| F-SEE-1258-S | 147 | 11.38 | 54.44 | 0.5 | 13.92 | 0.18 |
| F-SEE-1259-S | 147 | 11.38 | 55.44 | 0.5 | 14.16 | 0.18 |
| F-SEE-1260-S | 147 | 11.38 | 56.44 | 0.5 | 14.4 | 0.19 |
| F-SEE-1262-S | 157 | 11.38 | 58.44 | 0.5 | 14.88 | 0.19 |
| F-SEE-1263-S | 157 | 11.38 | 59.44 | 0.5 | 15.12 | 0.2 |
| F-SEE-1264-S | 161 | 11.38 | 60.44 | 0.5 | 15.36 | 0.2 |
| F-SEE-1265-S | 161 | 11.38 | 61.44 | 0.5 | 15.6 | 0.2 |
| F-SEE-1266-S | 161 | 11.38 | 62.44 | 0.5 | 15.84 | 0.21 |

| Code | Price | H (in.) | W (in.) | D 1 (in.) | Weight (lb) | Volume (ft ³) |
|--------------|-------|---------|---------|-----------|-------------|---------------------------|
| F-SEE-1424-S | 72 | 13.25 | 20.44 | 0.5 | 6.72 | 0.08 |
| F-SEE-1430-S | 87 | 13.25 | 26.44 | 0.5 | 8.4 | 0.1 |
| F-SEE-1436-S | 101 | 13.25 | 32.44 | 0.5 | 10.08 | 0.12 |
| F-SEE-1442-S | 117 | 13.25 | 38.44 | 0.5 | 11.76 | 0.15 |
| F-SEE-1444-S | 126 | 13.25 | 40.44 | 0.5 | 12.32 | 0.16 |
| F-SEE-1445-S | 126 | 13.25 | 41.44 | 0.5 | 12.6 | 0.16 |
| F-SEE-1446-S | 132 | 13.25 | 42.44 | 0.5 | 12.88 | 0.16 |
| F-SEE-1448-S | 132 | 13.25 | 44.44 | 0.5 | 13.44 | 0.17 |
| F-SEE-1450-S | 142 | 13.25 | 46.44 | 0.5 | 14 | 0.18 |
| F-SEE-1451-S | 142 | 13.25 | 47.44 | 0.5 | 14.28 | 0.18 |
| F-SEE-1452-S | 145 | 13.25 | 48.44 | 0.5 | 14.56 | 0.19 |
| F-SEE-1453-S | 145 | 13.25 | 49.44 | 0.5 | 14.84 | 0.19 |
| F-SEE-1454-S | 145 | 13.25 | 50.44 | 0.5 | 15.12 | 0.19 |
| F-SEE-1456-S | 152 | 13.25 | 52.44 | 0.5 | 15.68 | 0.2 |
| F-SEE-1457-S | 152 | 13.25 | 53.44 | 0.5 | 15.96 | 0.2 |
| F-SEE-1458-S | 160 | 13.25 | 54.44 | 0.5 | 16.24 | 0.21 |
| F-SEE-1459-S | 160 | 13.25 | 55.44 | 0.5 | 16.52 | 0.21 |
| F-SEE-1460-S | 160 | 13.25 | 56.44 | 0.5 | 16.8 | 0.22 |
| F-SEE-1462-S | 170 | 13.25 | 58.44 | 0.5 | 17.36 | 0.22 |
| F-SEE-1463-S | 170 | 13.25 | 59.44 | 0.5 | 17.64 | 0.23 |
| F-SEE-1464-S | 175 | 13.25 | 60.44 | 0.5 | 17.92 | 0.23 |
| F-SEE-1465-S | 175 | 13.25 | 61.44 | 0.5 | 18.2 | 0.24 |
| F-SEE-1466-S | 175 | 13.25 | 62.44 | 0.5 | 18.48 | 0.24 |

| Code | Price | H (in.) | W (in.) | D 1 (in.) | Weight (lb) | Volume (ft ³) |
|--------------|-------|---------|---------|-----------|-------------|---------------------------|
| F-SEE-2024-S | 92 | 19.25 | 20.44 | 0.5 | 9.6 | 0.11 |
| F-SEE-2030-S | 104 | 19.25 | 26.44 | 0.5 | 12 | 0.15 |
| F-SEE-2036-S | 126 | 19.25 | 32.44 | 0.5 | 14.4 | 0.18 |
| F-SEE-2042-S | 144 | 19.25 | 38.44 | 0.5 | 16.8 | 0.21 |
| F-SEE-2044-S | 149 | 19.25 | 40.44 | 0.5 | 17.6 | 0.23 |
| F-SEE-2045-S | 149 | 19.25 | 41.44 | 0.5 | 18 | 0.23 |
| F-SEE-2046-S | 160 | 19.25 | 42.44 | 0.5 | 18.4 | 0.24 |
| F-SEE-2048-S | 160 | 19.25 | 44.44 | 0.5 | 19.2 | 0.25 |
| F-SEE-2050-S | 172 | 19.25 | 46.44 | 0.5 | 20 | 0.26 |
| F-SEE-2051-S | 172 | 19.25 | 47.44 | 0.5 | 20.4 | 0.26 |
| F-SEE-2052-S | 178 | 19.25 | 48.44 | 0.5 | 20.8 | 0.27 |
| F-SEE-2053-S | 178 | 19.25 | 49.44 | 0.5 | 21.2 | 0.28 |
| F-SEE-2054-S | 178 | 19.25 | 50.44 | 0.5 | 21.6 | 0.28 |
| F-SEE-2056-S | 187 | 19.25 | 52.44 | 0.5 | 22.4 | 0.29 |
| F-SEE-2057-S | 187 | 19.25 | 53.44 | 0.5 | 22.8 | 0.3 |
| F-SEE-2058-S | 198 | 19.25 | 54.44 | 0.5 | 23.2 | 0.3 |
| F-SEE-2059-S | 198 | 19.25 | 55.44 | 0.5 | 23.6 | 0.31 |
| F-SEE-2060-S | 198 | 19.25 | 56.44 | 0.5 | 24 | 0.31 |
| F-SEE-2062-S | 204 | 19.25 | 58.44 | 0.5 | 24.8 | 0.33 |
| F-SEE-2063-S | 204 | 19.25 | 59.44 | 0.5 | 25.2 | 0.33 |
| F-SEE-2064-S | 217 | 19.25 | 60.44 | 0.5 | 25.6 | 0.34 |
| F-SEE-2065-S | 217 | 19.25 | 61.44 | 0.5 | 26 | 0.34 |
| F-SEE-2066-S | 217 | 19.25 | 62.44 | 0.5 | 26.4 | 0.35 |

| Code | Price | H (in.) | W (in.) | D 1 (in.) | Weight (lb) | Volume (ft ³) |
|--------------|-------|---------|---------|-----------|-------------|---------------------------|
| F-SEE-1224-W | 149 | 11.38 | 20.44 | 0.5 | 6.4 | 0.07 |
| F-SEE-1230-W | 181 | 11.38 | 26.44 | 0.5 | 8 | 0.09 |
| F-SEE-1236-W | 217 | 11.38 | 32.44 | 0.5 | 9.6 | 0.11 |
| F-SEE-1242-W | 247 | 11.38 | 38.44 | 0.5 | 11.2 | 0.13 |
| F-SEE-1244-W | 264 | 11.38 | 40.44 | 0.5 | 11.73 | 0.13 |
| F-SEE-1245-W | 264 | 11.38 | 41.44 | 0.5 | 12 | 0.14 |
| F-SEE-1246-W | 281 | 11.38 | 42.44 | 0.5 | 12.27 | 0.14 |
| F-SEE-1248-W | 281 | 11.38 | 44.44 | 0.5 | 12.8 | 0.15 |
| F-SEE-1250-W | 298 | 11.38 | 46.44 | 0.5 | 13.33 | 0.15 |
| F-SEE-1251-W | 298 | 11.38 | 47.44 | 0.5 | 13.6 | 0.16 |
| F-SEE-1252-W | 310 | 11.38 | 48.44 | 0.5 | 13.87 | 0.16 |
| F-SEE-1253-W | 310 | 11.38 | 49.44 | 0.5 | 14.13 | 0.16 |
| F-SEE-1254-W | 310 | 11.38 | 50.44 | 0.5 | 14.4 | 0.17 |
| F-SEE-1256-W | 330 | 11.38 | 52.44 | 0.5 | 14.93 | 0.17 |
| F-SEE-1257-W | 330 | 11.38 | 53.44 | 0.5 | 15.2 | 0.18 |
| F-SEE-1258-W | 348 | 11.38 | 54.44 | 0.5 | 15.47 | 0.18 |
| F-SEE-1259-W | 348 | 11.38 | 55.44 | 0.5 | 15.73 | 0.18 |
| F-SEE-1260-W | 348 | 11.38 | 56.44 | 0.5 | 16 | 0.19 |
| F-SEE-1262-W | 366 | 11.38 | 58.44 | 0.5 | 16.53 | 0.19 |
| F-SEE-1263-W | 366 | 11.38 | 59.44 | 0.5 | 16.8 | 0.2 |
| F-SEE-1264-W | 380 | 11.38 | 60.44 | 0.5 | 17.07 | 0.2 |
| F-SEE-1265-W | 380 | 11.38 | 61.44 | 0.5 | 17.33 | 0.2 |
| F-SEE-1266-W | 380 | 11.38 | 62.44 | 0.5 | 17.6 | 0.21 |

| Code | Price | H (in.) | W (in.) | D 1 (in.) | Weight (lb) | Volume (ft ³) |
|--------------|-------|---------|---------|-----------|-------------|---------------------------|
| F-SEE-1424-W | 161 | 13.25 | 20.44 | 0.5 | 7.47 | 0.08 |
| F-SEE-1430-W | 202 | 13.25 | 26.44 | 0.5 | 9.33 | 0.1 |
| F-SEE-1436-W | 238 | 13.25 | 32.44 | 0.5 | 11.2 | 0.12 |
| F-SEE-1442-W | 277 | 13.25 | 38.44 | 0.5 | 13.07 | 0.15 |
| F-SEE-1444-W | 296 | 13.25 | 40.44 | 0.5 | 13.69 | 0.16 |
| F-SEE-1445-W | 296 | 13.25 | 41.44 | 0.5 | 14 | 0.16 |
| F-SEE-1446-W | 310 | 13.25 | 42.44 | 0.5 | 14.31 | 0.16 |
| F-SEE-1448-W | 310 | 13.25 | 44.44 | 0.5 | 14.93 | 0.17 |
| F-SEE-1450-W | 334 | 13.25 | 46.44 | 0.5 | 15.56 | 0.18 |
| F-SEE-1451-W | 334 | 13.25 | 47.44 | 0.5 | 15.87 | 0.18 |
| F-SEE-1452-W | 349 | 13.25 | 48.44 | 0.5 | 16.18 | 0.19 |
| F-SEE-1453-W | 349 | 13.25 | 49.44 | 0.5 | 16.49 | 0.19 |
| F-SEE-1454-W | 349 | 13.25 | 50.44 | 0.5 | 16.8 | 0.19 |
| F-SEE-1456-W | 371 | 13.25 | 52.44 | 0.5 | 17.42 | 0.2 |
| F-SEE-1457-W | 371 | 13.25 | 53.44 | 0.5 | 17.73 | 0.2 |
| F-SEE-1458-W | 388 | 13.25 | 54.44 | 0.5 | 18.04 | 0.21 |
| F-SEE-1459-W | 388 | 13.25 | 55.44 | 0.5 | 18.36 | 0.21 |
| F-SEE-1460-W | 388 | 13.25 | 56.44 | 0.5 | 18.67 | 0.22 |
| F-SEE-1462-W | 408 | 13.25 | 58.44 | 0.5 | 19.29 | 0.22 |
| F-SEE-1463-W | 408 | 13.25 | 59.44 | 0.5 | 19.6 | 0.23 |
| F-SEE-1464-W | 425 | 13.25 | 60.44 | 0.5 | 19.91 | 0.23 |
| F-SEE-1465-W | 425 | 13.25 | 61.44 | 0.5 | 20.22 | 0.24 |
| F-SEE-1466-W | 425 | 13.25 | 62.44 | 0.5 | 20.53 | 0.24 |

| Code | Price | H (in.) | W (in.) | D 1 (in.) | Weight (lb) | Volume (ft ³) |
|--------------|-------|---------|---------|-----------|-------------|---------------------------|
| F-SEE-2024-W | 218 | 19.25 | 20.44 | 0.5 | 10.67 | 0.11 |
| F-SEE-2030-W | 268 | 19.25 | 26.44 | 0.5 | 13.33 | 0.15 |
| F-SEE-2036-W | 315 | 19.25 | 32.44 | 0.5 | 16 | 0.18 |
| F-SEE-2042-W | 370 | 19.25 | 38.44 | 0.5 | 18.67 | 0.21 |
| F-SEE-2044-W | 395 | 19.25 | 40.44 | 0.5 | 19.56 | 0.23 |
| F-SEE-2045-W | 395 | 19.25 | 41.44 | 0.5 | 20 | 0.23 |
| F-SEE-2046-W | 420 | 19.25 | 42.44 | 0.5 | 20.44 | 0.24 |
| F-SEE-2048-W | 420 | 19.25 | 44.44 | 0.5 | 21.33 | 0.25 |
| F-SEE-2050-W | 441 | 19.25 | 46.44 | 0.5 | 22.22 | 0.26 |
| F-SEE-2051-W | 441 | 19.25 | 47.44 | 0.5 | 22.67 | 0.26 |
| F-SEE-2052-W | 467 | 19.25 | 48.44 | 0.5 | 23.11 | 0.27 |
| F-SEE-2053-W | 467 | 19.25 | 49.44 | 0.5 | 23.56 | 0.28 |
| F-SEE-2054-W | 467 | 19.25 | 50.44 | 0.5 | 24 | 0.28 |
| F-SEE-2056-W | 496 | 19.25 | 52.44 | 0.5 | 24.89 | 0.29 |
| F-SEE-2057-W | 496 | 19.25 | 53.44 | 0.5 | 25.33 | 0.3 |
| F-SEE-2058-W | 520 | 19.25 | 54.44 | 0.5 | 25.78 | 0.3 |
| F-SEE-2059-W | 520 | 19.25 | 55.44 | 0.5 | 26.22 | 0.31 |
| F-SEE-2060-W | 520 | 19.25 | 56.44 | 0.5 | 26.67 | 0.31 |
| F-SEE-2062-W | 542 | 19.25 | 58.44 | 0.5 | 27.56 | 0.33 |
| F-SEE-2063-W | 542 | 19.25 | 59.44 | 0.5 | 28 | 0.33 |
| F-SEE-2064-W | 571 | 19.25 | 60.44 | 0.5 | 28.44 | 0.34 |
| F-SEE-2065-W | 571 | 19.25 | 61.44 | 0.5 | 28.89 | 0.34 |
| F-SEE-2066-W | 571 | 19.25 | 62.44 | 0.5 | 29.33 | 0.35 |

| Code | Price | H (in.) | W (in.) | D 1 (in.) | Weight (lb) | Volume (ft ³) |
|--------------|-------|---------|---------|-----------|-------------|---------------------------|
| F-SEE-0624-T | 144 | 5.38 | 20.44 | 0.5 | 2.88 | 0.03 |
| F-SEE-0630-T | 174 | 5.38 | 26.44 | 0.5 | 3.6 | 0.04 |
| F-SEE-0636-T | 203 | 5.38 | 32.44 | 0.5 | 4.32 | 0.05 |
| F-SEE-0642-T | 235 | 5.38 | 38.44 | 0.5 | 5.04 | 0.06 |
| F-SEE-0644-T | 247 | 5.38 | 40.44 | 0.5 | 5.28 | 0.06 |
| F-SEE-0645-T | 247 | 5.38 | 41.44 | 0.5 | 5.4 | 0.06 |
| F-SEE-0646-T | 264 | 5.38 | 42.44 | 0.5 | 5.52 | 0.07 |
| F-SEE-0648-T | 264 | 5.38 | 44.44 | 0.5 | 5.76 | 0.07 |
| F-SEE-0650-T | 278 | 5.38 | 46.44 | 0.5 | 6 | 0.07 |
| F-SEE-0651-T | 278 | 5.38 | 47.44 | 0.5 | 6.12 | 0.07 |
| F-SEE-0652-T | 295 | 5.38 | 48.44 | 0.5 | 6.24 | 0.08 |
| F-SEE-0653-T | 295 | 5.38 | 49.44 | 0.5 | 6.36 | 0.08 |
| F-SEE-0654-T | 295 | 5.38 | 50.44 | 0.5 | 6.48 | 0.08 |
| F-SEE-0656-T | 308 | 5.38 | 52.44 | 0.5 | 6.72 | 0.08 |
| F-SEE-0657-T | 308 | 5.38 | 53.44 | 0.5 | 6.84 | 0.08 |
| F-SEE-0658-T | 324 | 5.38 | 54.44 | 0.5 | 6.96 | 0.08 |
| F-SEE-0659-T | 324 | 5.38 | 55.44 | 0.5 | 7.08 | 0.09 |
| F-SEE-0660-T | 324 | 5.38 | 56.44 | 0.5 | 7.2 | 0.09 |
| F-SEE-0662-T | 339 | 5.38 | 58.44 | 0.5 | 7.44 | 0.09 |
| F-SEE-0663-T | 339 | 5.38 | 59.44 | 0.5 | 7.56 | 0.09 |
| F-SEE-0664-T | 354 | 5.38 | 60.44 | 0.5 | 7.68 | 0.09 |
| F-SEE-0665-T | 354 | 5.38 | 61.44 | 0.5 | 7.8 | 0.1 |
| F-SEE-0666-T | 354 | 5.38 | 62.44 | 0.5 | 7.92 | 0.1 |

| Code | Price | H (in.) | W (in.) | D 1 (in.) | Weight (lb) | Volume (ft ³) |
|--------------|-------|---------|---------|-----------|-------------|---------------------------|
| F-SEE-1224-T | 217 | 11.38 | 20.44 | 0.5 | 5.76 | 0.07 |
| F-SEE-1230-T | 263 | 11.38 | 26.44 | 0.5 | 7.2 | 0.09 |
| F-SEE-1236-T | 308 | 11.38 | 32.44 | 0.5 | 8.64 | 0.11 |
| F-SEE-1242-T | 354 | 11.38 | 38.44 | 0.5 | 10.08 | 0.13 |
| F-SEE-1244-T | 379 | 11.38 | 40.44 | 0.5 | 10.56 | 0.13 |
| F-SEE-1245-T | 379 | 11.38 | 41.44 | 0.5 | 10.8 | 0.14 |
| F-SEE-1246-T | 402 | 11.38 | 42.44 | 0.5 | 11.04 | 0.14 |
| F-SEE-1248-T | 402 | 11.38 | 44.44 | 0.5 | 11.52 | 0.15 |
| F-SEE-1250-T | 423 | 11.38 | 46.44 | 0.5 | 12 | 0.15 |
| F-SEE-1251-T | 423 | 11.38 | 47.44 | 0.5 | 12.24 | 0.16 |
| F-SEE-1252-T | 444 | 11.38 | 48.44 | 0.5 | 12.48 | 0.16 |
| F-SEE-1253-T | 444 | 11.38 | 49.44 | 0.5 | 12.72 | 0.16 |
| F-SEE-1254-T | 444 | 11.38 | 50.44 | 0.5 | 12.96 | 0.17 |
| F-SEE-1256-T | 472 | 11.38 | 52.44 | 0.5 | 13.44 | 0.17 |
| F-SEE-1257-T | 472 | 11.38 | 53.44 | 0.5 | 13.68 | 0.18 |
| F-SEE-1258-T | 491 | 11.38 | 54.44 | 0.5 | 13.92 | 0.18 |
| F-SEE-1259-T | 491 | 11.38 | 55.44 | 0.5 | 14.16 | 0.18 |
| F-SEE-1260-T | 491 | 11.38 | 56.44 | 0.5 | 14.4 | 0.19 |
| F-SEE-1262-T | 516 | 11.38 | 58.44 | 0.5 | 14.88 | 0.19 |
| F-SEE-1263-T | 516 | 11.38 | 59.44 | 0.5 | 15.12 | 0.2 |
| F-SEE-1264-T | 541 | 11.38 | 60.44 | 0.5 | 15.36 | 0.2 |
| F-SEE-1265-T | 541 | 11.38 | 61.44 | 0.5 | 15.6 | 0.2 |
| F-SEE-1266-T | 541 | 11.38 | 62.44 | 0.5 | 15.84 | 0.21 |

| Code | Price | H (in.) | W (in.) | D 1 (in.) | Weight (lb) | Volume (ft ³) |
|--------------|-------|---------|---------|-----------|-------------|---------------------------|
| F-SEE-1424-T | 238 | 13.25 | 20.44 | 0.5 | 6.72 | 0.08 |
| F-SEE-1430-T | 293 | 13.25 | 26.44 | 0.5 | 8.4 | 0.1 |
| F-SEE-1436-T | 340 | 13.25 | 32.44 | 0.5 | 10.08 | 0.12 |
| F-SEE-1442-T | 393 | 13.25 | 38.44 | 0.5 | 11.76 | 0.15 |
| F-SEE-1444-T | 420 | 13.25 | 40.44 | 0.5 | 12.32 | 0.16 |
| F-SEE-1445-T | 420 | 13.25 | 41.44 | 0.5 | 12.6 | 0.16 |
| F-SEE-1446-T | 441 | 13.25 | 42.44 | 0.5 | 12.88 | 0.16 |
| F-SEE-1448-T | 441 | 13.25 | 44.44 | 0.5 | 13.44 | 0.17 |
| F-SEE-1450-T | 470 | 13.25 | 46.44 | 0.5 | 14 | 0.18 |
| F-SEE-1451-T | 470 | 13.25 | 47.44 | 0.5 | 14.28 | 0.18 |
| F-SEE-1452-T | 496 | 13.25 | 48.44 | 0.5 | 14.56 | 0.19 |
| F-SEE-1453-T | 496 | 13.25 | 49.44 | 0.5 | 14.84 | 0.19 |
| F-SEE-1454-T | 496 | 13.25 | 50.44 | 0.5 | 15.12 | 0.19 |
| F-SEE-1456-T | 521 | 13.25 | 52.44 | 0.5 | 15.68 | 0.2 |
| F-SEE-1457-T | 521 | 13.25 | 53.44 | 0.5 | 15.96 | 0.2 |
| F-SEE-1458-T | 546 | 13.25 | 54.44 | 0.5 | 16.24 | 0.21 |
| F-SEE-1459-T | 546 | 13.25 | 55.44 | 0.5 | 16.52 | 0.21 |
| F-SEE-1460-T | 546 | 13.25 | 56.44 | 0.5 | 16.8 | 0.22 |
| F-SEE-1462-T | 572 | 13.25 | 58.44 | 0.5 | 17.36 | 0.22 |
| F-SEE-1463-T | 572 | 13.25 | 59.44 | 0.5 | 17.64 | 0.23 |
| F-SEE-1464-T | 598 | 13.25 | 60.44 | 0.5 | 17.92 | 0.23 |
| F-SEE-1465-T | 598 | 13.25 | 61.44 | 0.5 | 18.2 | 0.24 |
| F-SEE-1466-T | 598 | 13.25 | 62.44 | 0.5 | 18.48 | 0.24 |

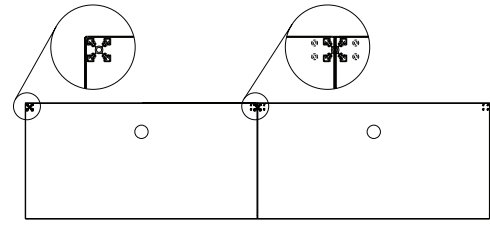
| Code | Price | H (in.) | W (in.) | D 1 (in.) | Weight (lb) | Volume (ft ³) |
|--------------|-------|---------|---------|-----------|-------------|---------------------------|
| F-SEE-2024-T | 310 | 19.25 | 20.44 | 0.5 | 9.6 | 0.11 |
| F-SEE-2030-T | 379 | 19.25 | 26.44 | 0.5 | 12 | 0.15 |
| F-SEE-2036-T | 444 | 19.25 | 32.44 | 0.5 | 14.4 | 0.18 |
| F-SEE-2042-T | 514 | 19.25 | 38.44 | 0.5 | 16.8 | 0.21 |
| F-SEE-2044-T | 546 | 19.25 | 40.44 | 0.5 | 17.6 | 0.23 |
| F-SEE-2045-T | 546 | 19.25 | 41.44 | 0.5 | 18 | 0.23 |
| F-SEE-2046-T | 581 | 19.25 | 42.44 | 0.5 | 18.4 | 0.24 |
| F-SEE-2048-T | 581 | 19.25 | 44.44 | 0.5 | 19.2 | 0.25 |
| F-SEE-2050-T | 613 | 19.25 | 46.44 | 0.5 | 20 | 0.26 |
| F-SEE-2051-T | 613 | 19.25 | 47.44 | 0.5 | 20.4 | 0.26 |
| F-SEE-2052-T | 647 | 19.25 | 48.44 | 0.5 | 20.8 | 0.27 |
| F-SEE-2053-T | 647 | 19.25 | 49.44 | 0.5 | 21.2 | 0.28 |
| F-SEE-2054-T | 647 | 19.25 | 50.44 | 0.5 | 21.6 | 0.28 |
| F-SEE-2056-T | 681 | 19.25 | 52.44 | 0.5 | 22.4 | 0.29 |
| F-SEE-2057-T | 681 | 19.25 | 53.44 | 0.5 | 22.8 | 0.3 |
| F-SEE-2058-T | 716 | 19.25 | 54.44 | 0.5 | 23.2 | 0.3 |
| F-SEE-2059-T | 716 | 19.25 | 55.44 | 0.5 | 23.6 | 0.31 |
| F-SEE-2060-T | 716 | 19.25 | 56.44 | 0.5 | 24 | 0.31 |
| F-SEE-2062-T | 751 | 19.25 | 58.44 | 0.5 | 24.8 | 0.33 |
| F-SEE-2063-T | 751 | 19.25 | 59.44 | 0.5 | 25.2 | 0.33 |
| F-SEE-2064-T | 785 | 19.25 | 60.44 | 0.5 | 25.6 | 0.34 |
| F-SEE-2065-T | 785 | 19.25 | 61.44 | 0.5 | 26 | 0.34 |
| F-SEE-2066-T | 785 | 19.25 | 62.44 | 0.5 | 26.4 | 0.35 |

| Code | Price | H (in.) | W (in.) | D 1 (in.) | Weight (lb) | Volume (ft ³) |
|--------------|-------|---------|---------|-----------|-------------|---------------------------|
| F-SEE-0624-F | 98 | 5.38 | 20.44 | 0.5 | 1.44 | 0.03 |
| F-SEE-0630-F | 120 | 5.38 | 26.44 | 0.5 | 1.8 | 0.04 |
| F-SEE-0636-F | 142 | 5.38 | 32.44 | 0.5 | 2.16 | 0.05 |
| F-SEE-0642-F | 161 | 5.38 | 38.44 | 0.5 | 2.52 | 0.06 |
| F-SEE-0644-F | 173 | 5.38 | 40.44 | 0.5 | 2.64 | 0.06 |
| F-SEE-0645-F | 173 | 5.38 | 41.44 | 0.5 | 2.7 | 0.06 |
| F-SEE-0646-F | 181 | 5.38 | 42.44 | 0.5 | 2.76 | 0.07 |
| F-SEE-0648-F | 181 | 5.38 | 44.44 | 0.5 | 2.88 | 0.07 |
| F-SEE-0650-F | 194 | 5.38 | 46.44 | 0.5 | 3 | 0.07 |
| F-SEE-0651-F | 194 | 5.38 | 47.44 | 0.5 | 3.06 | 0.07 |
| F-SEE-0652-F | 203 | 5.38 | 48.44 | 0.5 | 3.12 | 0.08 |
| F-SEE-0653-F | 203 | 5.38 | 49.44 | 0.5 | 3.18 | 0.08 |
| F-SEE-0654-F | 203 | 5.38 | 50.44 | 0.5 | 3.24 | 0.08 |
| F-SEE-0656-F | 217 | 5.38 | 52.44 | 0.5 | 3.36 | 0.08 |
| F-SEE-0657-F | 217 | 5.38 | 53.44 | 0.5 | 3.42 | 0.08 |
| F-SEE-0658-F | 228 | 5.38 | 54.44 | 0.5 | 3.48 | 0.08 |
| F-SEE-0659-F | 228 | 5.38 | 55.44 | 0.5 | 3.54 | 0.09 |
| F-SEE-0660-F | 228 | 5.38 | 56.44 | 0.5 | 3.6 | 0.09 |
| F-SEE-0662-F | 237 | 5.38 | 58.44 | 0.5 | 3.72 | 0.09 |
| F-SEE-0663-F | 237 | 5.38 | 59.44 | 0.5 | 3.78 | 0.09 |
| F-SEE-0664-F | 246 | 5.38 | 60.44 | 0.5 | 3.84 | 0.09 |
| F-SEE-0665-F | 246 | 5.38 | 61.44 | 0.5 | 3.9 | 0.1 |
| F-SEE-0666-F | 246 | 5.38 | 62.44 | 0.5 | 3.96 | 0.1 |

| Code | Price | H (in.) | W (in.) | D 1 (in.) | Weight (lb) | Volume (ft ³) |
|--------------|-------|---------|---------|-----------|-------------|---------------------------|
| F-SEE-1224-F | 146 | 11.38 | 20.44 | 0.5 | 2.88 | 0.07 |
| F-SEE-1230-F | 180 | 11.38 | 26.44 | 0.5 | 3.6 | 0.09 |
| F-SEE-1236-F | 216 | 11.38 | 32.44 | 0.5 | 4.32 | 0.11 |
| F-SEE-1242-F | 246 | 11.38 | 38.44 | 0.5 | 5.04 | 0.13 |
| F-SEE-1244-F | 264 | 11.38 | 40.44 | 0.5 | 5.28 | 0.13 |
| F-SEE-1245-F | 264 | 11.38 | 41.44 | 0.5 | 5.4 | 0.14 |
| F-SEE-1246-F | 278 | 11.38 | 42.44 | 0.5 | 5.52 | 0.14 |
| F-SEE-1248-F | 278 | 11.38 | 44.44 | 0.5 | 5.76 | 0.15 |
| F-SEE-1250-F | 296 | 11.38 | 46.44 | 0.5 | 6 | 0.15 |
| F-SEE-1251-F | 296 | 11.38 | 47.44 | 0.5 | 6.12 | 0.16 |
| F-SEE-1252-F | 313 | 11.38 | 48.44 | 0.5 | 6.24 | 0.16 |
| F-SEE-1253-F | 313 | 11.38 | 49.44 | 0.5 | 6.36 | 0.16 |
| F-SEE-1254-F | 313 | 11.38 | 50.44 | 0.5 | 6.48 | 0.17 |
| F-SEE-1256-F | 330 | 11.38 | 52.44 | 0.5 | 6.72 | 0.17 |
| F-SEE-1257-F | 330 | 11.38 | 53.44 | 0.5 | 6.84 | 0.18 |
| F-SEE-1258-F | 344 | 11.38 | 54.44 | 0.5 | 6.96 | 0.18 |
| F-SEE-1259-F | 344 | 11.38 | 55.44 | 0.5 | 7.08 | 0.18 |
| F-SEE-1260-F | 344 | 11.38 | 56.44 | 0.5 | 7.2 | 0.19 |
| F-SEE-1262-F | 362 | 11.38 | 58.44 | 0.5 | 7.44 | 0.19 |
| F-SEE-1263-F | 362 | 11.38 | 59.44 | 0.5 | 7.56 | 0.2 |
| F-SEE-1264-F | 379 | 11.38 | 60.44 | 0.5 | 7.68 | 0.2 |
| F-SEE-1265-F | 379 | 11.38 | 61.44 | 0.5 | 7.8 | 0.2 |
| F-SEE-1266-F | 379 | 11.38 | 62.44 | 0.5 | 7.92 | 0.21 |

| Code | Price | H (in.) | W (in.) | D 1 (in.) | Weight (lb) | Volume (ft ³) |
|--------------|-------|---------|---------|-----------|-------------|---------------------------|
| F-SEE-1424-F | 162 | 13.25 | 20.44 | 0.5 | 3.36 | 0.08 |
| F-SEE-1430-F | 199 | 13.25 | 26.44 | 0.5 | 4.2 | 0.1 |
| F-SEE-1436-F | 237 | 13.25 | 32.44 | 0.5 | 5.04 | 0.12 |
| F-SEE-1442-F | 275 | 13.25 | 38.44 | 0.5 | 5.88 | 0.15 |
| F-SEE-1444-F | 294 | 13.25 | 40.44 | 0.5 | 6.16 | 0.16 |
| F-SEE-1445-F | 294 | 13.25 | 41.44 | 0.5 | 6.3 | 0.16 |
| F-SEE-1446-F | 308 | 13.25 | 42.44 | 0.5 | 6.44 | 0.16 |
| F-SEE-1448-F | 308 | 13.25 | 44.44 | 0.5 | 6.72 | 0.17 |
| F-SEE-1450-F | 327 | 13.25 | 46.44 | 0.5 | 7 | 0.18 |
| F-SEE-1451-F | 327 | 13.25 | 47.44 | 0.5 | 7.14 | 0.18 |
| F-SEE-1452-F | 346 | 13.25 | 48.44 | 0.5 | 7.28 | 0.19 |
| F-SEE-1453-F | 346 | 13.25 | 49.44 | 0.5 | 7.42 | 0.19 |
| F-SEE-1454-F | 346 | 13.25 | 50.44 | 0.5 | 7.56 | 0.19 |
| F-SEE-1456-F | 363 | 13.25 | 52.44 | 0.5 | 7.84 | 0.2 |
| F-SEE-1457-F | 363 | 13.25 | 53.44 | 0.5 | 7.98 | 0.2 |
| F-SEE-1458-F | 383 | 13.25 | 54.44 | 0.5 | 8.12 | 0.21 |
| F-SEE-1459-F | 383 | 13.25 | 55.44 | 0.5 | 8.26 | 0.21 |
| F-SEE-1460-F | 383 | 13.25 | 56.44 | 0.5 | 8.4 | 0.22 |
| F-SEE-1462-F | 402 | 13.25 | 58.44 | 0.5 | 8.68 | 0.22 |
| F-SEE-1463-F | 402 | 13.25 | 59.44 | 0.5 | 8.82 | 0.23 |
| F-SEE-1464-F | 421 | 13.25 | 60.44 | 0.5 | 8.96 | 0.23 |
| F-SEE-1465-F | 421 | 13.25 | 61.44 | 0.5 | 9.1 | 0.24 |
| F-SEE-1466-F | 421 | 13.25 | 62.44 | 0.5 | 9.24 | 0.24 |

| Code | Price | H (in.) | W (in.) | D 1 (in.) | Weight (lb) | Volume (ft ³) |
|--------------|-------|---------|---------|-----------|-------------|---------------------------|
| F-SEE-2024-F | 216 | 19.25 | 20.44 | 0.5 | 4.8 | 0.11 |
| F-SEE-2030-F | 263 | 19.25 | 26.44 | 0.5 | 6 | 0.15 |
| F-SEE-2036-F | 308 | 19.25 | 32.44 | 0.5 | 7.2 | 0.18 |
| F-SEE-2042-F | 360 | 19.25 | 38.44 | 0.5 | 8.4 | 0.21 |
| F-SEE-2044-F | 383 | 19.25 | 40.44 | 0.5 | 8.8 | 0.23 |
| F-SEE-2045-F | 383 | 19.25 | 41.44 | 0.5 | 9 | 0.23 |
| F-SEE-2046-F | 409 | 19.25 | 42.44 | 0.5 | 9.2 | 0.24 |
| F-SEE-2048-F | 409 | 19.25 | 44.44 | 0.5 | 9.6 | 0.25 |
| F-SEE-2050-F | 427 | 19.25 | 46.44 | 0.5 | 10 | 0.26 |
| F-SEE-2051-F | 427 | 19.25 | 47.44 | 0.5 | 10.2 | 0.26 |
| F-SEE-2052-F | 456 | 19.25 | 48.44 | 0.5 | 10.4 | 0.27 |
| F-SEE-2053-F | 456 | 19.25 | 49.44 | 0.5 | 10.6 | 0.28 |
| F-SEE-2054-F | 456 | 19.25 | 50.44 | 0.5 | 10.8 | 0.28 |
| F-SEE-2056-F | 480 | 19.25 | 52.44 | 0.5 | 11.2 | 0.29 |
| F-SEE-2057-F | 480 | 19.25 | 53.44 | 0.5 | 11.4 | 0.3 |
| F-SEE-2058-F | 505 | 19.25 | 54.44 | 0.5 | 11.6 | 0.3 |
| F-SEE-2059-F | 505 | 19.25 | 55.44 | 0.5 | 11.8 | 0.31 |
| F-SEE-2060-F | 505 | 19.25 | 56.44 | 0.5 | 12 | 0.31 |
| F-SEE-2062-F | 525 | 19.25 | 58.44 | 0.5 | 12.4 | 0.33 |
| F-SEE-2063-F | 525 | 19.25 | 59.44 | 0.5 | 12.6 | 0.33 |
| F-SEE-2064-F | 549 | 19.25 | 60.44 | 0.5 | 12.8 | 0.34 |
| F-SEE-2065-F | 549 | 19.25 | 61.44 | 0.5 | 13 | 0.34 |
| F-SEE-2066-F | 549 | 19.25 | 62.44 | 0.5 | 13.2 | 0.35 |



What's Included:

Privacy screen (1), Horizontal rails (2), vertical retainers (2).

How to Specify:

Available in various heights and widths to provide specific workstation requirements

Privacy screens can be specified in solid laminate, whiteboard, fabric tackboard, and frost acrylic.

Notes:

Privacy screen posts are 2-inches by 2-inches wide and are sold separately.

Options:

| | |
|-----------------|--|
| Height | 6", 12", 14", 20" |
| Width | 24", 30", 36", 42", 44", 45", 46", 48", 50", 51", 52", 53", 54", 56", 57", 58", 59", 60", 62", 63", 64", 65", 66", 68", 69", 70", 71", 72" |
| Screen material | S solid W whiteboard T fabric/tackboard F frost |

How to Order and Read your Code:

| | | | | |
|--------------|------------|-----------|-----------|----------|
| F | SES | 12 | 60 | F |
| product line | item | height | width | acrylic |

| Code | Price | H (in.) | W (in.) | D T (in.) | Weight (lb) | Volume (ft ³) |
|---------------|-------|---------|---------|-----------|-------------|---------------------------|
| F-SES-0624-S | 55 | 5.38 | 21.69 | 0.5 | 2.88 | 0.03 |
| F-SES-0630-S | 62 | 5.38 | 27.69 | 0.5 | 3.6 | 0.04 |
| F-SES-0636-S | 72 | 5.38 | 33.69 | 0.5 | 4.32 | 0.05 |
| F-SES-0637-S | 77 | 5.38 | 34.69 | 0.5 | 4.45 | 0.05 |
| F-SES-0637D-S | 77 | 5.38 | 35.19 | 0.5 | 4.51 | 0.05 |
| F-SES-0638-S | 77 | 5.38 | 35.69 | 0.5 | 4.58 | 0.06 |
| F-SES-0638D-S | 77 | 5.38 | 36.19 | 0.5 | 4.64 | 0.06 |
| F-SES-0639-S | 77 | 5.38 | 36.69 | 0.5 | 4.68 | 0.06 |
| F-SES-0640-S | 82 | 5.38 | 37.69 | 0.5 | 4.81 | 0.06 |
| F-SES-0641-S | 82 | 5.38 | 38.69 | 0.5 | 4.94 | 0.06 |
| F-SES-0641D-S | 82 | 5.38 | 39.19 | 0.5 | 5 | 0.06 |
| F-SES-0642-S | 82 | 5.38 | 39.69 | 0.5 | 5.04 | 0.06 |
| F-SES-0643-S | 87 | 5.38 | 40.69 | 0.5 | 5.17 | 0.06 |
| F-SES-0644-S | 87 | 5.38 | 41.69 | 0.5 | 5.28 | 0.06 |
| F-SES-0644D-S | 87 | 5.38 | 42.19 | 0.5 | 5.34 | 0.07 |
| F-SES-0645-S | 87 | 5.38 | 42.69 | 0.5 | 5.4 | 0.07 |
| F-SES-0646-S | 94 | 5.38 | 43.69 | 0.5 | 5.52 | 0.07 |
| F-SES-0648-S | 94 | 5.38 | 45.69 | 0.5 | 5.76 | 0.07 |
| F-SES-0650-S | 98 | 5.38 | 47.69 | 0.5 | 6 | 0.07 |
| F-SES-0651-S | 98 | 5.38 | 48.69 | 0.5 | 6.12 | 0.08 |
| F-SES-0652-S | 101 | 5.38 | 49.69 | 0.5 | 6.24 | 0.08 |
| F-SES-0653-S | 101 | 5.38 | 50.69 | 0.5 | 6.36 | 0.08 |
| F-SES-0654-S | 101 | 5.38 | 51.69 | 0.5 | 6.48 | 0.08 |
| F-SES-0656-S | 106 | 5.38 | 53.69 | 0.5 | 6.72 | 0.08 |
| F-SES-0657-S | 106 | 5.38 | 54.69 | 0.5 | 6.84 | 0.09 |
| F-SES-0658-S | 114 | 5.38 | 55.69 | 0.5 | 6.96 | 0.09 |
| F-SES-0659-S | 114 | 5.38 | 56.69 | 0.5 | 7.08 | 0.09 |
| F-SES-0660-S | 114 | 5.38 | 57.69 | 0.5 | 7.2 | 0.09 |
| F-SES-0662-S | 117 | 5.38 | 59.69 | 0.5 | 7.44 | 0.09 |
| F-SES-0663-S | 117 | 5.38 | 60.69 | 0.5 | 7.56 | 0.09 |
| F-SES-0664-S | 124 | 5.38 | 61.69 | 0.5 | 7.68 | 0.1 |
| F-SES-0665-S | 124 | 5.38 | 62.69 | 0.5 | 7.8 | 0.1 |
| F-SES-0666-S | 124 | 5.38 | 63.69 | 0.5 | | |
| F-SES-0668-S | 129 | | | | | |
| F-SES-0669-S | 129 | | | | | |
| F-SES-0670-S | 132 | | | | | |
| F-SES-0671-S | 132 | | | | | |
| F-SES-0672-S | 132 | | | | | |

| Code | Price | H (in.) | W (in.) | D 1 (in.) | Weight (lb) | Volume (ft ³) |
|---------------|-------|---------|---------|-----------|-------------|---------------------------|
| F-SES-1224-S | 68 | 11.38 | 21.69 | 0.5 | 5.76 | 0.07 |
| F-SES-1230-S | 81 | 11.38 | 27.69 | 0.5 | 7.2 | 0.09 |
| F-SES-1236-S | 96 | 11.38 | 33.69 | 0.5 | 8.64 | 0.11 |
| F-SES-1237-S | 101 | 11.38 | 34.69 | 0.5 | 8.9 | 0.11 |
| F-SES-1237D-S | 101 | 11.38 | 35.19 | 0.5 | 9.02 | 0.12 |
| F-SES-1238-S | 101 | 11.38 | 35.69 | 0.5 | 9.15 | 0.12 |
| F-SES-1238D-S | 101 | 11.38 | 36.19 | 0.5 | 9.28 | 0.12 |
| F-SES-1239-S | 101 | 11.38 | 36.69 | 0.5 | 9.36 | 0.12 |
| F-SES-1240-S | 107 | 11.38 | 37.69 | 0.5 | 9.62 | 0.12 |
| F-SES-1241-S | 107 | 11.38 | 38.69 | 0.5 | 9.87 | 0.13 |
| F-SES-1241D-S | 107 | 11.38 | 39.19 | 0.5 | 10 | 0.13 |
| F-SES-1242-S | 107 | 11.38 | 39.69 | 0.5 | 10.08 | 0.13 |
| F-SES-1243-S | 116 | 11.38 | 40.69 | 0.5 | 10.32 | 0.13 |
| F-SES-1244-S | 116 | 11.38 | 41.69 | 0.5 | 10.56 | 0.14 |
| F-SES-1244D-S | 116 | 11.38 | 42.19 | 0.5 | 10.68 | 0.14 |
| F-SES-1245-S | 116 | 11.38 | 42.69 | 0.5 | 10.8 | 0.14 |
| F-SES-1246-S | 124 | 11.38 | 43.69 | 0.5 | 11.04 | 0.14 |
| F-SES-1248-S | 124 | 11.38 | 45.69 | 0.5 | 11.52 | 0.15 |
| F-SES-1250-S | 129 | 11.38 | 47.69 | 0.5 | 12 | 0.16 |
| F-SES-1251-S | 129 | 11.38 | 48.69 | 0.5 | 12.24 | 0.16 |
| F-SES-1252-S | 136 | 11.38 | 49.69 | 0.5 | 12.48 | 0.16 |
| F-SES-1253-S | 136 | 11.38 | 50.69 | 0.5 | 12.72 | 0.17 |
| F-SES-1254-S | 136 | 11.38 | 51.69 | 0.5 | 12.96 | 0.17 |
| F-SES-1256-S | 144 | 11.38 | 53.69 | 0.5 | 13.44 | 0.18 |
| F-SES-1257-S | 144 | 11.38 | 54.69 | 0.5 | 13.68 | 0.18 |
| F-SES-1258-S | 147 | 11.38 | 55.69 | 0.5 | 13.92 | 0.18 |
| F-SES-1259-S | 147 | 11.38 | 56.69 | 0.5 | 14.16 | 0.19 |
| F-SES-1260-S | 147 | 11.38 | 57.69 | 0.5 | 14.4 | 0.19 |
| F-SES-1262-S | 157 | 11.38 | 59.69 | 0.5 | 14.88 | 0.2 |
| F-SES-1263-S | 157 | 11.38 | 60.69 | 0.5 | 15.12 | 0.2 |
| F-SES-1264-S | 161 | 11.38 | 61.69 | 0.5 | 15.36 | 0.2 |
| F-SES-1265-S | 161 | 11.38 | 62.69 | 0.5 | 15.6 | 0.21 |
| F-SES-1266-S | 161 | 11.38 | 63.69 | 0.5 | 15.84 | 0.21 |

| Code | Price | H (in.) | W (in.) | D 1 (in.) | Weight (lb) | Volume (ft ³) |
|---------------|-------|---------|---------|-----------|-------------|---------------------------|
| F-SES-1424-S | 72 | 13.25 | 21.69 | 0.5 | 6.72 | 0.08 |
| F-SES-1430-S | 87 | 13.25 | 27.69 | 0.5 | 8.4 | 0.11 |
| F-SES-1434-S | 101 | 13.25 | 31.69 | 0.5 | 10.08 | 0.12 |
| F-SES-1434D-S | 101 | 13.25 | 32.19 | 0.5 | 10.08 | 0.12 |
| F-SES-1435-S | 101 | 13.25 | 32.69 | 0.5 | 10.08 | 0.13 |
| F-SES-1435D-S | 101 | 13.25 | 33.19 | 0.5 | 10.08 | 0.13 |
| F-SES-1436-S | 101 | 13.25 | 33.69 | 0.5 | 10.08 | 0.13 |
| F-SES-1437-S | 107 | 13.25 | 34.69 | 0.5 | 10.36 | 0.13 |
| F-SES-1437D-S | 107 | 13.25 | 35.19 | 0.5 | 10.5 | 0.13 |
| F-SES-1438-S | 107 | 13.25 | 35.69 | 0.5 | 10.64 | 0.14 |
| F-SES-1438D-S | 107 | 13.25 | 36.19 | 0.5 | 10.78 | 0.14 |
| F-SES-1439-S | 107 | 13.25 | 36.69 | 0.5 | 10.92 | 0.14 |
| F-SES-1440-S | 117 | 13.25 | 37.69 | 0.5 | 11.2 | 0.14 |
| F-SES-1441-S | 117 | 13.25 | 38.69 | 0.5 | 11.48 | 0.15 |
| F-SES-1441D-S | 117 | 13.25 | 39.19 | 0.5 | 11.62 | 0.15 |
| F-SES-1442-S | 117 | 13.25 | 39.69 | 0.5 | 11.76 | 0.15 |
| F-SES-1443-S | 126 | 13.25 | 40.69 | 0.5 | 12.04 | 0.16 |
| F-SES-1444-S | 126 | 13.25 | 41.69 | 0.5 | 12.32 | 0.16 |
| F-SES-1444D-S | 126 | 13.25 | 42.19 | 0.5 | 12.46 | 0.16 |
| F-SES-1445-S | 126 | 13.25 | 42.69 | 0.5 | 12.6 | 0.16 |
| F-SES-1446-S | 132 | 13.25 | 43.69 | 0.5 | 12.88 | 0.17 |
| F-SES-1448-S | 132 | 13.25 | 45.69 | 0.5 | 13.44 | 0.18 |
| F-SES-1450-S | 142 | 13.25 | 47.69 | 0.5 | 14 | 0.18 |
| F-SES-1451-S | 142 | 13.25 | 48.69 | 0.5 | 14.28 | 0.19 |
| F-SES-1452-S | 145 | 13.25 | 49.69 | 0.5 | 14.56 | 0.19 |
| F-SES-1453-S | 145 | 13.25 | 50.69 | 0.5 | 14.84 | 0.19 |
| F-SES-1454-S | 145 | 13.25 | 51.69 | 0.5 | 15.12 | 0.2 |
| F-SES-1456-S | 152 | 13.25 | 53.69 | 0.5 | 15.68 | 0.21 |
| F-SES-1457-S | 152 | 13.25 | 54.69 | 0.5 | 15.96 | 0.21 |
| F-SES-1458-S | 160 | 13.25 | 55.69 | 0.5 | 16.24 | 0.21 |
| F-SES-1459-S | 160 | 13.25 | 56.69 | 0.5 | 16.52 | 0.22 |
| F-SES-1460-S | 160 | 13.25 | 57.69 | 0.5 | 16.8 | 0.22 |
| F-SES-1462-S | 170 | 13.25 | 59.69 | 0.5 | 17.36 | 0.23 |
| F-SES-1463-S | 170 | 13.25 | 60.69 | 0.5 | 17.64 | 0.23 |
| F-SES-1464-S | 175 | 13.25 | 61.69 | 0.5 | 17.92 | 0.24 |
| F-SES-1465-S | 175 | 13.25 | 62.69 | 0.5 | 18.2 | 0.24 |
| F-SES-1466-S | 175 | 13.25 | 63.69 | 0.5 | 18.48 | 0.24 |

| Code | Price | H (in.) | W (in.) | D 1 (in.) | Weight (lb) | Volume (ft ³) |
|---------------|-------|---------|---------|-----------|-------------|---------------------------|
| F-SES-2024-S | 92 | 19.25 | 21.69 | 0.5 | 9.6 | 0.12 |
| F-SES-2030-S | 104 | 19.25 | 27.69 | 0.5 | 12 | 0.15 |
| F-SES-2034-S | 126 | 19.25 | 31.69 | 0.5 | 14.4 | 0.18 |
| F-SES-2034D-S | 126 | 19.25 | 32.19 | 0.5 | 14.4 | 0.18 |
| F-SES-2035-S | 126 | 19.25 | 32.69 | 0.5 | 14.4 | 0.18 |
| F-SES-2035D-S | 126 | 19.25 | 33.19 | 0.5 | 14.4 | 0.18 |
| F-SES-2036-S | 126 | 19.25 | 33.69 | 0.5 | 14.4 | 0.19 |
| F-SES-2037-S | 133 | 19.25 | 34.69 | 0.5 | 14.8 | 0.19 |
| F-SES-2037D-S | 133 | 19.25 | 35.19 | 0.5 | 15 | 0.2 |
| F-SES-2038-S | 133 | 19.25 | 35.69 | 0.5 | 15.2 | 0.2 |
| F-SES-2038D-S | 133 | 19.25 | 36.19 | 0.5 | 15.4 | 0.2 |
| F-SES-2039-S | 133 | 19.25 | 36.69 | 0.5 | 15.6 | 0.2 |
| F-SES-2040-S | 144 | 19.25 | 37.69 | 0.5 | 16 | 0.21 |
| F-SES-2041-S | 144 | 19.25 | 38.69 | 0.5 | 16.4 | 0.22 |
| F-SES-2041D-S | 144 | 19.25 | 39.19 | 0.5 | 16.6 | 0.22 |
| F-SES-2042-S | 144 | 19.25 | 39.69 | 0.5 | 16.8 | 0.22 |
| F-SES-2043-S | 149 | 19.25 | 40.69 | 0.5 | 17.2 | 0.23 |
| F-SES-2044-S | 149 | 19.25 | 41.69 | 0.5 | 17.6 | 0.23 |
| F-SES-2044D-S | 149 | 19.25 | 42.19 | 0.5 | 17.8 | 0.23 |
| F-SES-2045-S | 149 | 19.25 | 42.69 | 0.5 | 18 | 0.24 |
| F-SES-2046-S | 160 | 19.25 | 43.69 | 0.5 | 18.4 | 0.24 |
| F-SES-2048-S | 160 | 19.25 | 45.69 | 0.5 | 19.2 | 0.25 |
| F-SES-2050-S | 172 | 19.25 | 47.69 | 0.5 | 20 | 0.27 |
| F-SES-2051-S | 172 | 19.25 | 48.69 | 0.5 | 20.4 | 0.27 |
| F-SES-2052-S | 178 | 19.25 | 49.69 | 0.5 | 20.8 | 0.28 |
| F-SES-2053-S | 178 | 19.25 | 50.69 | 0.5 | 21.2 | 0.28 |
| F-SES-2054-S | 178 | 19.25 | 51.69 | 0.5 | 21.6 | 0.29 |
| F-SES-2056-S | 187 | 19.25 | 53.69 | 0.5 | 22.4 | 0.3 |
| F-SES-2057-S | 187 | 19.25 | 54.69 | 0.5 | 22.8 | 0.3 |
| F-SES-2058-S | 198 | 19.25 | 55.69 | 0.5 | 23.2 | 0.31 |
| F-SES-2059-S | 198 | 19.25 | 56.69 | 0.5 | 23.6 | 0.32 |
| F-SES-2060-S | 198 | 19.25 | 57.69 | 0.5 | 24 | 0.32 |
| F-SES-2062-S | 204 | 19.25 | 59.69 | 0.5 | 24.8 | 0.33 |
| F-SES-2063-S | 204 | 19.25 | 60.69 | 0.5 | 25.2 | 0.34 |
| F-SES-2064-S | 217 | 19.25 | 61.69 | 0.5 | 25.6 | 0.34 |
| F-SES-2065-S | 217 | 19.25 | 62.69 | 0.5 | 26 | 0.35 |
| F-SES-2066-S | 217 | 19.25 | 63.69 | 0.5 | 26.4 | 0.35 |

| Code | Price | H (in.) | W (in.) | D 1 (in.) | Weight (lb) | Volume (ft ³) |
|---------------|-------|---------|---------|-----------|-------------|---------------------------|
| F-SES-1224-W | 149 | 11.38 | 21.69 | 0.5 | 6.4 | 0.07 |
| F-SES-1230-W | 181 | 11.38 | 27.69 | 0.5 | 8 | 0.09 |
| F-SES-1236-W | 217 | 11.38 | 33.69 | 0.5 | 9.6 | 0.11 |
| F-SES-1237-W | 228 | 11.38 | 34.69 | 0.5 | 9.88 | 0.11 |
| F-SES-1237D-W | 228 | 11.38 | 35.19 | 0.5 | 10.03 | 0.12 |
| F-SES-1238-W | 228 | 11.38 | 35.69 | 0.5 | 10.17 | 0.12 |
| F-SES-1238D-W | 228 | 11.38 | 36.19 | 0.5 | 10.31 | 0.12 |
| F-SES-1239-W | 228 | 11.38 | 36.69 | 0.5 | 10.4 | 0.12 |
| F-SES-1240-W | 247 | 11.38 | 37.69 | 0.5 | 10.68 | 0.12 |
| F-SES-1241-W | 247 | 11.38 | 38.69 | 0.5 | 10.97 | 0.13 |
| F-SES-1241D-W | 247 | 11.38 | 39.19 | 0.5 | 11.11 | 0.13 |
| F-SES-1242-W | 247 | 11.38 | 39.69 | 0.5 | 11.2 | 0.13 |
| F-SES-1243-W | 264 | 11.38 | 40.69 | 0.5 | 11.47 | 0.13 |
| F-SES-1244-W | 264 | 11.38 | 41.69 | 0.5 | 11.73 | 0.14 |
| F-SES-1244D-W | 264 | 11.38 | 42.19 | 0.5 | 11.87 | 0.14 |
| F-SES-1245-W | 264 | 11.38 | 42.69 | 0.5 | 12 | 0.14 |
| F-SES-1246-W | 281 | 11.38 | 43.69 | 0.5 | 12.27 | 0.14 |
| F-SES-1248-W | 281 | 11.38 | 45.69 | 0.5 | 12.8 | 0.15 |
| F-SES-1250-W | 298 | 11.38 | 47.69 | 0.5 | 13.33 | 0.16 |
| F-SES-1251-W | 298 | 11.38 | 48.69 | 0.5 | 13.6 | 0.16 |
| F-SES-1252-W | 310 | 11.38 | 49.69 | 0.5 | 13.87 | 0.16 |
| F-SES-1253-W | 310 | 11.38 | 50.69 | 0.5 | 14.13 | 0.17 |
| F-SES-1254-W | 310 | 11.38 | 51.69 | 0.5 | 14.4 | 0.17 |
| F-SES-1256-W | 330 | 11.38 | 53.69 | 0.5 | 14.93 | 0.18 |
| F-SES-1257-W | 330 | 11.38 | 54.69 | 0.5 | 15.2 | 0.18 |
| F-SES-1258-W | 348 | 11.38 | 55.69 | 0.5 | 15.47 | 0.18 |
| F-SES-1259-W | 348 | 11.38 | 56.69 | 0.5 | 15.73 | 0.19 |
| F-SES-1260-W | 348 | 11.38 | 57.69 | 0.5 | 16 | 0.19 |
| F-SES-1262-W | 366 | 11.38 | 59.69 | 0.5 | 16.53 | 0.2 |
| F-SES-1263-W | 366 | 11.38 | 60.69 | 0.5 | 16.8 | 0.2 |
| F-SES-1264-W | 380 | 11.38 | 61.69 | 0.5 | 17.07 | 0.2 |
| F-SES-1265-W | 380 | 11.38 | 62.69 | 0.5 | 17.33 | 0.21 |
| F-SES-1266-W | 380 | 11.38 | 63.69 | 0.5 | 17.6 | 0.21 |

| Code | Price | H (in.) | W (in.) | D 1 (in.) | Weight (lb) | Volume (ft ³) |
|---------------|-------|---------|---------|-----------|-------------|---------------------------|
| F-SES-1424-W | 161 | 13.25 | 21.69 | 0.5 | 7.47 | 0.08 |
| F-SES-1430-W | 202 | 13.25 | 27.69 | 0.5 | 9.33 | 0.11 |
| F-SES-1434-W | 238 | 13.25 | 31.69 | 0.5 | 11.2 | 0.12 |
| F-SES-1434D-W | 238 | 13.25 | 32.19 | 0.5 | 11.2 | 0.12 |
| F-SES-1435-W | 238 | 13.25 | 32.69 | 0.5 | 11.2 | 0.13 |
| F-SES-1435D-W | 238 | 13.25 | 33.19 | 0.5 | 11.2 | 0.13 |
| F-SES-1436-W | 238 | 13.25 | 33.69 | 0.5 | 11.2 | 0.13 |
| F-SES-1437-W | 256 | 13.25 | 34.69 | 0.5 | 11.51 | 0.13 |
| F-SES-1437D-W | 256 | 13.25 | 35.19 | 0.5 | 11.67 | 0.13 |
| F-SES-1438-W | 256 | 13.25 | 35.69 | 0.5 | 11.82 | 0.14 |
| F-SES-1438D-W | 256 | 13.25 | 36.19 | 0.5 | 11.98 | 0.14 |
| F-SES-1439-W | 256 | 13.25 | 36.69 | 0.5 | 12.13 | 0.14 |
| F-SES-1440-W | 277 | 13.25 | 37.69 | 0.5 | 12.45 | 0.14 |
| F-SES-1441-W | 277 | 13.25 | 38.69 | 0.5 | 12.76 | 0.15 |
| F-SES-1441D-W | 277 | 13.25 | 39.19 | 0.5 | 12.91 | 0.15 |
| F-SES-1442-W | 277 | 13.25 | 39.69 | 0.5 | 13.07 | 0.15 |
| F-SES-1443-W | 296 | 13.25 | 40.69 | 0.5 | 13.38 | 0.16 |
| F-SES-1444-W | 296 | 13.25 | 41.69 | 0.5 | 13.69 | 0.16 |
| F-SES-1444D-W | 296 | 13.25 | 42.19 | 0.5 | 13.85 | 0.16 |
| F-SES-1445-W | 296 | 13.25 | 42.69 | 0.5 | 14 | 0.16 |
| F-SES-1446-W | 310 | 13.25 | 43.69 | 0.5 | 14.31 | 0.17 |
| F-SES-1448-W | 310 | 13.25 | 45.69 | 0.5 | 14.93 | 0.18 |
| F-SES-1450-W | 334 | 13.25 | 47.69 | 0.5 | 15.56 | 0.18 |
| F-SES-1451-W | 334 | 13.25 | 48.69 | 0.5 | 15.87 | 0.19 |
| F-SES-1452-W | 349 | 13.25 | 49.69 | 0.5 | 16.18 | 0.19 |
| F-SES-1453-W | 349 | 13.25 | 50.69 | 0.5 | 16.49 | 0.19 |
| F-SES-1454-W | 349 | 13.25 | 51.69 | 0.5 | 16.8 | 0.2 |
| F-SES-1456-W | 371 | 13.25 | 53.69 | 0.5 | 17.42 | 0.21 |
| F-SES-1457-W | 371 | 13.25 | 54.69 | 0.5 | 17.73 | 0.21 |
| F-SES-1458-W | 388 | 13.25 | 55.69 | 0.5 | 18.04 | 0.21 |
| F-SES-1459-W | 388 | 13.25 | 56.69 | 0.5 | 18.36 | 0.22 |
| F-SES-1460-W | 388 | 13.25 | 57.69 | 0.5 | 18.67 | 0.22 |
| F-SES-1462-W | 408 | 13.25 | 59.69 | 0.5 | 19.29 | 0.23 |
| F-SES-1463-W | 408 | 13.25 | 60.69 | 0.5 | 19.6 | 0.23 |
| F-SES-1464-W | 425 | 13.25 | 61.69 | 0.5 | 19.91 | 0.24 |
| F-SES-1465-W | 425 | 13.25 | 62.69 | 0.5 | 20.22 | 0.24 |
| F-SES-1466-W | 425 | 13.25 | 63.69 | 0.5 | 20.53 | 0.24 |

| Code | Price | H (in.) | W (in.) | D 1 (in.) | Weight (lb) | Volume (ft ³) |
|---------------|-------|---------|---------|-----------|-------------|---------------------------|
| F-SES-2024-W | 218 | 19.25 | 21.69 | 0.5 | 10.67 | 0.12 |
| F-SES-2030-W | 268 | 19.25 | 27.69 | 0.5 | 13.33 | 0.15 |
| F-SES-2034-W | 315 | 19.25 | 31.69 | 0.5 | 16 | 0.18 |
| F-SES-2034D-W | 315 | 19.25 | 32.19 | 0.5 | 16 | 0.18 |
| F-SES-2035-W | 315 | 19.25 | 32.69 | 0.5 | 16 | 0.18 |
| F-SES-2035D-W | 315 | 19.25 | 33.19 | 0.5 | 16 | 0.18 |
| F-SES-2036-W | 315 | 19.25 | 33.69 | 0.5 | 16 | 0.19 |
| F-SES-2037-W | 342 | 19.25 | 34.69 | 0.5 | 16.45 | 0.19 |
| F-SES-2037D-W | 342 | 19.25 | 35.19 | 0.5 | 16.67 | 0.2 |
| F-SES-2038-W | 342 | 19.25 | 35.69 | 0.5 | 16.89 | 0.2 |
| F-SES-2038D-W | 342 | 19.25 | 36.19 | 0.5 | 17.11 | 0.2 |
| F-SES-2039-W | 342 | 19.25 | 36.69 | 0.5 | 17.33 | 0.2 |
| F-SES-2040-W | 370 | 19.25 | 37.69 | 0.5 | 17.78 | 0.21 |
| F-SES-2041-W | 370 | 19.25 | 38.69 | 0.5 | 18.22 | 0.22 |
| F-SES-2041D-W | 370 | 19.25 | 39.19 | 0.5 | 18.45 | 0.22 |
| F-SES-2042-W | 370 | 19.25 | 39.69 | 0.5 | 18.67 | 0.22 |
| F-SES-2043-W | 395 | 19.25 | 40.69 | 0.5 | 19.11 | 0.23 |
| F-SES-2044-W | 395 | 19.25 | 41.69 | 0.5 | 19.56 | 0.23 |
| F-SES-2044D-W | 395 | 19.25 | 42.19 | 0.5 | 19.78 | 0.23 |
| F-SES-2045-W | 395 | 19.25 | 42.69 | 0.5 | 20 | 0.24 |
| F-SES-2046-W | 420 | 19.25 | 43.69 | 0.5 | 20.44 | 0.24 |
| F-SES-2048-W | 420 | 19.25 | 45.69 | 0.5 | 21.33 | 0.25 |
| F-SES-2050-W | 441 | 19.25 | 47.69 | 0.5 | 22.22 | 0.27 |
| F-SES-2051-W | 441 | 19.25 | 48.69 | 0.5 | 22.67 | 0.27 |
| F-SES-2052-W | 467 | 19.25 | 49.69 | 0.5 | 23.11 | 0.28 |
| F-SES-2053-W | 467 | 19.25 | 50.69 | 0.5 | 23.56 | 0.28 |
| F-SES-2054-W | 467 | 19.25 | 51.69 | 0.5 | 24 | 0.29 |
| F-SES-2056-W | 496 | 19.25 | 53.69 | 0.5 | 24.89 | 0.3 |
| F-SES-2057-W | 496 | 19.25 | 54.69 | 0.5 | 25.33 | 0.3 |
| F-SES-2058-W | 520 | 19.25 | 55.69 | 0.5 | 25.78 | 0.31 |
| F-SES-2059-W | 520 | 19.25 | 56.69 | 0.5 | 26.22 | 0.32 |
| F-SES-2060-W | 520 | 19.25 | 57.69 | 0.5 | 26.67 | 0.32 |
| F-SES-2062-W | 542 | 19.25 | 59.69 | 0.5 | 27.56 | 0.33 |
| F-SES-2063-W | 542 | 19.25 | 60.69 | 0.5 | 28 | 0.34 |
| F-SES-2064-W | 571 | 19.25 | 61.69 | 0.5 | 28.44 | 0.34 |
| F-SES-2065-W | 571 | 19.25 | 62.69 | 0.5 | 28.89 | 0.35 |
| F-SES-2066-W | 571 | 19.25 | 63.69 | 0.5 | 29.33 | 0.35 |

| Code | Price | H (in.) | W (in.) | D 1 (in.) | Weight (lb) | Volume (ft ³) |
|---------------|-------|---------|---------|-----------|-------------|---------------------------|
| F-SES-0624-T | 144 | 5.38 | 21.69 | 0.5 | 2.88 | 0.03 |
| F-SES-0630-T | 174 | 5.38 | 27.69 | 0.5 | 3.6 | 0.04 |
| F-SES-0636-T | 203 | 5.38 | 33.69 | 0.5 | 4.32 | 0.05 |
| F-SES-0637-T | 220 | 5.38 | 34.69 | 0.5 | 4.45 | 0.05 |
| F-SES-0637D-T | 220 | 5.38 | 35.19 | 0.5 | 4.51 | 0.05 |
| F-SES-0638-T | 220 | 5.38 | 35.69 | 0.5 | 4.58 | 0.06 |
| F-SES-0638D-T | 220 | 5.38 | 36.19 | 0.5 | 4.64 | 0.06 |
| F-SES-0639-T | 220 | 5.38 | 36.69 | 0.5 | 4.68 | 0.06 |
| F-SES-0640-T | 235 | 5.38 | 37.69 | 0.5 | 4.81 | 0.06 |
| F-SES-0641-T | 235 | 5.38 | 38.69 | 0.5 | 4.94 | 0.06 |
| F-SES-0641D-T | 235 | 5.38 | 39.19 | 0.5 | 5 | 0.06 |
| F-SES-0642-T | 235 | 5.38 | 39.69 | 0.5 | 5.04 | 0.06 |
| F-SES-0643-T | 247 | 5.38 | 40.69 | 0.5 | 5.17 | 0.06 |
| F-SES-0644-T | 247 | 5.38 | 41.69 | 0.5 | 5.28 | 0.06 |
| F-SES-0644D-T | 247 | 5.38 | 42.19 | 0.5 | 5.34 | 0.07 |
| F-SES-0645-T | 247 | 5.38 | 42.69 | 0.5 | 5.4 | 0.07 |
| F-SES-0646-T | 264 | 5.38 | 43.69 | 0.5 | 5.52 | 0.07 |
| F-SES-0648-T | 264 | 5.38 | 45.69 | 0.5 | 5.76 | 0.07 |
| F-SES-0650-T | 278 | 5.38 | 47.69 | 0.5 | 6 | 0.07 |
| F-SES-0651-T | 278 | 5.38 | 48.69 | 0.5 | 6.12 | 0.08 |
| F-SES-0652-T | 295 | 5.38 | 49.69 | 0.5 | 6.24 | 0.08 |
| F-SES-0653-T | 295 | 5.38 | 50.69 | 0.5 | 6.36 | 0.08 |
| F-SES-0654-T | 295 | 5.38 | 51.69 | 0.5 | 6.48 | 0.08 |
| F-SES-0656-T | 308 | 5.38 | 53.69 | 0.5 | 6.72 | 0.08 |
| F-SES-0657-T | 308 | 5.38 | 54.69 | 0.5 | 6.84 | 0.09 |
| F-SES-0658-T | 324 | 5.38 | 55.69 | 0.5 | 6.96 | 0.09 |
| F-SES-0659-T | 324 | 5.38 | 56.69 | 0.5 | 7.08 | 0.09 |
| F-SES-0660-T | 324 | 5.38 | 57.69 | 0.5 | 7.2 | 0.09 |
| F-SES-0662-T | 339 | 5.38 | 59.69 | 0.5 | 7.44 | 0.09 |
| F-SES-0663-T | 339 | 5.38 | 60.69 | 0.5 | 7.56 | 0.09 |
| F-SES-0664-T | 354 | 5.38 | 61.69 | 0.5 | 7.68 | 0.1 |
| F-SES-0665-T | 354 | 5.38 | 62.69 | 0.5 | 7.8 | 0.1 |
| F-SES-0666-T | 354 | 5.38 | 63.69 | 0.5 | 7.92 | 0.1 |

| Code | Price | H (in.) | W (in.) | D 1 (in.) | Weight (lb) | Volume (ft ³) |
|---------------|-------|---------|---------|-----------|-------------|---------------------------|
| F-SES-1224-T | 217 | 11.38 | 21.69 | 0.5 | 5.76 | 0.07 |
| F-SES-1230-T | 263 | 11.38 | 27.69 | 0.5 | 7.2 | 0.09 |
| F-SES-1235-T | 308 | 11.38 | 32.69 | 0.5 | 8.64 | 0.11 |
| F-SES-1236-T | 308 | 11.38 | 33.69 | 0.5 | 8.64 | 0.11 |
| F-SES-1237-T | 334 | 11.38 | 34.69 | 0.5 | 8.9 | 0.11 |
| F-SES-1237D-T | 334 | 11.38 | 35.19 | 0.5 | 9.02 | 0.12 |
| F-SES-1238-T | 334 | 11.38 | 35.69 | 0.5 | 9.15 | 0.12 |
| F-SES-1238D-T | 334 | 11.38 | 36.19 | 0.5 | 9.28 | 0.12 |
| F-SES-1239-T | 334 | 11.38 | 36.69 | 0.5 | 9.36 | 0.12 |
| F-SES-1240-T | 354 | 11.38 | 37.69 | 0.5 | 9.62 | 0.12 |
| F-SES-1241-T | 354 | 11.38 | 38.69 | 0.5 | 9.87 | 0.13 |
| F-SES-1241D-T | 354 | 11.38 | 39.19 | 0.5 | 10 | 0.13 |
| F-SES-1242-T | 354 | 11.38 | 39.69 | 0.5 | 10.08 | 0.13 |
| F-SES-1243-T | 379 | 11.38 | 40.69 | 0.5 | 10.32 | 0.13 |
| F-SES-1244-T | 379 | 11.38 | 41.69 | 0.5 | 10.56 | 0.14 |
| F-SES-1244D-T | 379 | 11.38 | 42.19 | 0.5 | 10.68 | 0.14 |
| F-SES-1245-T | 379 | 11.38 | 42.69 | 0.5 | 10.8 | 0.14 |
| F-SES-1246-T | 402 | 11.38 | 43.69 | 0.5 | 11.04 | 0.14 |
| F-SES-1248-T | 402 | 11.38 | 45.69 | 0.5 | 11.52 | 0.15 |
| F-SES-1250-T | 423 | 11.38 | 47.69 | 0.5 | 12 | 0.16 |
| F-SES-1251-T | 423 | 11.38 | 48.69 | 0.5 | 12.24 | 0.16 |
| F-SES-1252-T | 444 | 11.38 | 49.69 | 0.5 | 12.48 | 0.16 |
| F-SES-1253-T | 444 | 11.38 | 50.69 | 0.5 | 12.72 | 0.17 |
| F-SES-1254-T | 444 | 11.38 | 51.69 | 0.5 | 12.96 | 0.17 |
| F-SES-1256-T | 472 | 11.38 | 53.69 | 0.5 | 13.44 | 0.18 |
| F-SES-1257-T | 472 | 11.38 | 54.69 | 0.5 | 13.68 | 0.18 |
| F-SES-1258-T | 491 | 11.38 | 55.69 | 0.5 | 13.92 | 0.18 |
| F-SES-1259-T | 491 | 11.38 | 56.69 | 0.5 | 14.16 | 0.19 |
| F-SES-1260-T | 491 | 11.38 | 57.69 | 0.5 | 14.4 | 0.19 |
| F-SES-1262-T | 516 | 11.38 | 59.69 | 0.5 | 14.88 | 0.2 |
| F-SES-1263-T | 516 | 11.38 | 60.69 | 0.5 | 15.12 | 0.2 |
| F-SES-1264-T | 541 | 11.38 | 61.69 | 0.5 | 15.36 | 0.2 |
| F-SES-1265-T | 541 | 11.38 | 62.69 | 0.5 | 15.6 | 0.21 |
| F-SES-1266-T | 541 | 11.38 | 63.69 | 0.5 | 15.84 | 0.21 |

| Code | Price | H (in.) | W (in.) | D 1 (in.) | Weight (lb) | Volume (ft ³) |
|---------------|-------|---------|---------|-----------|-------------|---------------------------|
| F-SES-1424-T | 238 | 13.25 | 21.69 | 0.5 | 6.72 | 0.07 |
| F-SES-1430-T | 293 | 13.25 | 27.69 | 0.5 | 8.4 | 0.11 |
| F-SES-1434-T | 340 | 13.25 | 31.69 | 0.5 | 10.08 | 0.12 |
| F-SES-1434D-T | 340 | 13.25 | 32.19 | 0.5 | 10.08 | 0.12 |
| F-SES-1435-T | 340 | 13.25 | 32.69 | 0.5 | 10.08 | 0.12 |
| F-SES-1435D-T | 340 | 13.25 | 33.19 | 0.5 | 10.08 | 0.13 |
| F-SES-1436-T | 340 | 13.25 | 33.69 | 0.5 | 10.08 | 0.13 |
| F-SES-1437-T | 368 | 13.25 | 34.69 | 0.5 | 10.36 | 0.13 |
| F-SES-1437D-T | 368 | 13.25 | 35.19 | 0.5 | 10.5 | 0.13 |
| F-SES-1438-T | 368 | 13.25 | 35.69 | 0.5 | 10.64 | 0.13 |
| F-SES-1438D-T | 368 | 13.25 | 36.19 | 0.5 | 10.78 | 0.14 |
| F-SES-1439-T | 368 | 13.25 | 36.69 | 0.5 | 10.92 | 0.14 |
| F-SES-1440-T | 393 | 13.25 | 37.69 | 0.5 | 11.2 | 0.14 |
| F-SES-1441-T | 393 | 13.25 | 38.69 | 0.5 | 11.48 | 0.14 |
| F-SES-1441D-T | 393 | 13.25 | 39.19 | 0.5 | 11.62 | 0.15 |
| F-SES-1442-T | 393 | 13.25 | 39.69 | 0.5 | 11.76 | 0.15 |
| F-SES-1443-T | 420 | 13.25 | 40.69 | 0.5 | 12.04 | 0.15 |
| F-SES-1444-T | 420 | 13.25 | 41.69 | 0.5 | 12.32 | 0.16 |
| F-SES-1444D-T | 420 | 13.25 | 42.19 | 0.5 | 12.46 | 0.16 |
| F-SES-1445-T | 420 | 13.25 | 42.69 | 0.5 | 12.6 | 0.16 |
| F-SES-1446-T | 441 | 13.25 | 43.69 | 0.5 | 12.88 | 0.17 |
| F-SES-1448-T | 441 | 13.25 | 45.69 | 0.5 | 13.44 | 0.18 |
| F-SES-1450-T | 470 | 13.25 | 47.69 | 0.5 | 14 | 0.18 |
| F-SES-1451-T | 470 | 13.25 | 48.69 | 0.5 | 14.28 | 0.19 |
| F-SES-1452-T | 496 | 13.25 | 49.69 | 0.5 | 14.56 | 0.19 |
| F-SES-1453-T | 496 | 13.25 | 50.69 | 0.5 | 14.84 | 0.19 |
| F-SES-1454-T | 496 | 13.25 | 51.69 | 0.5 | 15.12 | 0.2 |
| F-SES-1456-T | 521 | 13.25 | 53.69 | 0.5 | 15.68 | 0.21 |
| F-SES-1457-T | 521 | 13.25 | 54.69 | 0.5 | 15.96 | 0.21 |
| F-SES-1458-T | 546 | 13.25 | 55.69 | 0.5 | 16.24 | 0.21 |
| F-SES-1459-T | 546 | 13.25 | 56.69 | 0.5 | 16.52 | 0.22 |
| F-SES-1460-T | 546 | 13.25 | 57.69 | 0.5 | 16.8 | 0.22 |
| F-SES-1462-T | 572 | 13.25 | 59.69 | 0.5 | 17.36 | 0.23 |
| F-SES-1463-T | 572 | 13.25 | 60.69 | 0.5 | 17.64 | 0.23 |
| F-SES-1464-T | 598 | 13.25 | 61.69 | 0.5 | 17.92 | 0.24 |
| F-SES-1465-T | 598 | 13.25 | 62.69 | 0.5 | 18.2 | 0.24 |
| F-SES-1466-T | 598 | 13.25 | 63.69 | 0.5 | 18.48 | 0.24 |

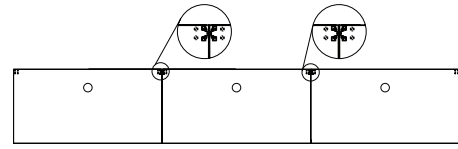
| Code | Price | H (in.) | W (in.) | D 1 (in.) | Weight (lb) | Volume (ft ³) |
|---------------|-------|---------|---------|-----------|-------------|---------------------------|
| F-SES-2024-T | 310 | 19.25 | 21.69 | 0.5 | 9.6 | 0.12 |
| F-SES-2030-T | 379 | 19.25 | 27.69 | 0.5 | 12 | 0.15 |
| F-SES-2034-T | 444 | 19.25 | 31.69 | 0.5 | 14.4 | 0.18 |
| F-SES-2034D-T | 444 | 19.25 | 32.19 | 0.5 | 14.4 | 0.18 |
| F-SES-2035-T | 444 | 19.25 | 32.69 | 0.5 | 14.4 | 0.18 |
| F-SES-2035D-T | 444 | 19.25 | 33.19 | 0.5 | 14.4 | 0.18 |
| F-SES-2036-T | 444 | 19.25 | 33.69 | 0.5 | 14.4 | 0.19 |
| F-SES-2037-T | 481 | 19.25 | 34.69 | 0.5 | 14.8 | 0.19 |
| F-SES-2037D-T | 481 | 19.25 | 35.19 | 0.5 | 15 | 0.2 |
| F-SES-2038-T | 481 | 19.25 | 35.69 | 0.5 | 15.2 | 0.2 |
| F-SES-2038D-T | 481 | 19.25 | 36.19 | 0.5 | 15.4 | 0.2 |
| F-SES-2039-T | 481 | 19.25 | 36.69 | 0.5 | 15.6 | 0.2 |
| F-SES-2040-T | 514 | 19.25 | 37.69 | 0.5 | 16 | 0.21 |
| F-SES-2041-T | 514 | 19.25 | 38.69 | 0.5 | 16.4 | 0.22 |
| F-SES-2041D-T | 514 | 19.25 | 39.19 | 0.5 | 16.6 | 0.22 |
| F-SES-2042-T | 514 | 19.25 | 39.69 | 0.5 | 16.8 | 0.22 |
| F-SES-2043-T | 546 | 19.25 | 40.69 | 0.5 | 17.2 | 0.23 |
| F-SES-2044-T | 546 | 19.25 | 41.69 | 0.5 | 17.6 | 0.23 |
| F-SES-2044D-T | 546 | 19.25 | 42.19 | 0.5 | 17.8 | 0.23 |
| F-SES-2045-T | 546 | 19.25 | 42.69 | 0.5 | 18 | 0.24 |
| F-SES-2046-T | 581 | 19.25 | 43.69 | 0.5 | 18.4 | 0.24 |
| F-SES-2048-T | 581 | 19.25 | 45.69 | 0.5 | 19.2 | 0.25 |
| F-SES-2050-T | 613 | 19.25 | 47.69 | 0.5 | 20 | 0.27 |
| F-SES-2051-T | 613 | 19.25 | 48.69 | 0.5 | 20.4 | 0.27 |
| F-SES-2052-T | 647 | 19.25 | 49.69 | 0.5 | 20.8 | 0.28 |
| F-SES-2053-T | 647 | 19.25 | 50.69 | 0.5 | 21.2 | 0.28 |
| F-SES-2054-T | 647 | 19.25 | 51.69 | 0.5 | 21.6 | 0.29 |
| F-SES-2056-T | 681 | 19.25 | 53.69 | 0.5 | 22.4 | 0.3 |
| F-SES-2057-T | 681 | 19.25 | 54.69 | 0.5 | 22.8 | 0.3 |
| F-SES-2058-T | 716 | 19.25 | 55.69 | 0.5 | 23.2 | 0.31 |
| F-SES-2059-T | 716 | 19.25 | 56.69 | 0.5 | 23.6 | 0.32 |
| F-SES-2060-T | 716 | 19.25 | 57.69 | 0.5 | 24 | 0.32 |
| F-SES-2062-T | 751 | 19.25 | 59.69 | 0.5 | 24.8 | 0.33 |
| F-SES-2063-T | 751 | 19.25 | 60.69 | 0.5 | 25.2 | 0.34 |
| F-SES-2064-T | 785 | 19.25 | 61.69 | 0.5 | 25.6 | 0.34 |
| F-SES-2065-T | 785 | 19.25 | 62.69 | 0.5 | 26 | 0.35 |
| F-SES-2066-T | 785 | 19.25 | 63.69 | 0.5 | 26.4 | 0.35 |

| Code | Price | H (in.) | W (in.) | D 1 (in.) | Weight (lb) | Volume (ft ³) |
|---------------|-------|---------|---------|-----------|-------------|---------------------------|
| F-SES-0624-F | 98 | 5.38 | 21.69 | 0.5 | 1.44 | 0.03 |
| F-SES-0630-F | 120 | 5.38 | 27.69 | 0.5 | 1.8 | 0.04 |
| F-SES-0636-F | 142 | 5.38 | 33.69 | 0.5 | 2.16 | 0.05 |
| F-SES-0637-F | 149 | 5.38 | 34.69 | 0.5 | 2.22 | 0.05 |
| F-SES-0637D-F | 149 | 5.38 | 35.19 | 0.5 | 2.26 | 0.05 |
| F-SES-0638-F | 149 | 5.38 | 35.69 | 0.5 | 2.29 | 0.06 |
| F-SES-0638D-F | 149 | 5.38 | 36.19 | 0.5 | 2.32 | 0.06 |
| F-SES-0639-F | 149 | 5.38 | 36.69 | 0.5 | 2.34 | 0.06 |
| F-SES-0640-F | 161 | 5.38 | 37.69 | 0.5 | 2.4 | 0.06 |
| F-SES-0641-F | 161 | 5.38 | 38.69 | 0.5 | 2.47 | 0.06 |
| F-SES-0641D-F | 161 | 5.38 | 39.19 | 0.5 | 2.5 | 0.06 |
| F-SES-0642-F | 161 | 5.38 | 39.69 | 0.5 | 2.52 | 0.06 |
| F-SES-0643-F | 173 | 5.38 | 40.69 | 0.5 | 2.58 | 0.06 |
| F-SES-0644-F | 173 | 5.38 | 41.69 | 0.5 | 2.64 | 0.06 |
| F-SES-0644D-F | 173 | 5.38 | 42.19 | 0.5 | 2.67 | 0.07 |
| F-SES-0645-F | 173 | 5.38 | 42.69 | 0.5 | 2.7 | 0.07 |
| F-SES-0646-F | 181 | 5.38 | 43.69 | 0.5 | 2.76 | 0.07 |
| F-SES-0648-F | 181 | 5.38 | 45.69 | 0.5 | 2.88 | 0.07 |
| F-SES-0650-F | 194 | 5.38 | 47.69 | 0.5 | 3 | 0.07 |
| F-SES-0651-F | 194 | 5.38 | 48.69 | 0.5 | 3.06 | 0.08 |
| F-SES-0652-F | 203 | 5.38 | 49.69 | 0.5 | 3.12 | 0.08 |
| F-SES-0653-F | 203 | 5.38 | 50.69 | 0.5 | 3.18 | 0.08 |
| F-SES-0654-F | 203 | 5.38 | 51.69 | 0.5 | 3.24 | 0.08 |
| F-SES-0656-F | 217 | 5.38 | 53.69 | 0.5 | 3.36 | 0.08 |
| F-SES-0657-F | 217 | 5.38 | 54.69 | 0.5 | 3.42 | 0.09 |
| F-SES-0658-F | 228 | 5.38 | 55.69 | 0.5 | 3.48 | 0.09 |
| F-SES-0659-F | 228 | 5.38 | 56.69 | 0.5 | 3.54 | 0.09 |
| F-SES-0660-F | 228 | 5.38 | 57.69 | 0.5 | 3.6 | 0.09 |
| F-SES-0662-F | 237 | 5.38 | 59.69 | 0.5 | 3.72 | 0.09 |
| F-SES-0663-F | 237 | 5.38 | 60.69 | 0.5 | 3.78 | 0.09 |
| F-SES-0664-F | 246 | 5.38 | 61.69 | 0.5 | 3.84 | 0.1 |
| F-SES-0665-F | 246 | 5.38 | 62.69 | 0.5 | 3.9 | 0.1 |
| F-SES-0666-F | 246 | 5.38 | 63.69 | 0.5 | 3.96 | 0.1 |

| Code | Price | H (in.) | W (in.) | D 1 (in.) | Weight (lb) | Volume (ft ³) |
|---------------|-------|---------|---------|-----------|-------------|---------------------------|
| F-SES-1224-F | 146 | 11.38 | 21.69 | 0.5 | 2.88 | 0.07 |
| F-SES-1230-F | 180 | 11.38 | 27.69 | 0.5 | 3.6 | 0.09 |
| F-SES-1236-F | 216 | 11.38 | 33.69 | 0.5 | 4.32 | 0.11 |
| F-SES-1237-F | 230 | 11.38 | 34.69 | 0.5 | 4.45 | 0.11 |
| F-SES-1237D-F | 230 | 11.38 | 35.19 | 0.5 | 4.51 | 0.12 |
| F-SES-1238-F | 230 | 11.38 | 35.69 | 0.5 | 4.58 | 0.12 |
| F-SES-1238D-F | 230 | 11.38 | 36.19 | 0.5 | 4.64 | 0.12 |
| F-SES-1239-F | 230 | 11.38 | 36.69 | 0.5 | 4.68 | 0.12 |
| F-SES-1240-F | 246 | 11.38 | 37.69 | 0.5 | 4.81 | 0.12 |
| F-SES-1241-F | 246 | 11.38 | 38.69 | 0.5 | 4.94 | 0.13 |
| F-SES-1241D-F | 246 | 11.38 | 39.19 | 0.5 | 5 | 0.13 |
| F-SES-1242-F | 246 | 11.38 | 39.69 | 0.5 | 5.04 | 0.13 |
| F-SES-1243-F | 264 | 11.38 | 40.69 | 0.5 | 5.16 | 0.13 |
| F-SES-1244-F | 264 | 11.38 | 41.69 | 0.5 | 5.28 | 0.14 |
| F-SES-1244D-F | 264 | 11.38 | 42.19 | 0.5 | 5.34 | 0.14 |
| F-SES-1245-F | 264 | 11.38 | 42.69 | 0.5 | 5.4 | 0.14 |
| F-SES-1246-F | 278 | 11.38 | 43.69 | 0.5 | 5.52 | 0.14 |
| F-SES-1248-F | 278 | 11.38 | 45.69 | 0.5 | 5.76 | 0.15 |
| F-SES-1250-F | 296 | 11.38 | 47.69 | 0.5 | 6 | 0.16 |
| F-SES-1251-F | 296 | 11.38 | 48.69 | 0.5 | 6.12 | 0.16 |
| F-SES-1252-F | 313 | 11.38 | 49.69 | 0.5 | 6.24 | 0.16 |
| F-SES-1253-F | 313 | 11.38 | 50.69 | 0.5 | 6.36 | 0.17 |
| F-SES-1254-F | 313 | 11.38 | 51.69 | 0.5 | 6.48 | 0.17 |
| F-SES-1256-F | 330 | 11.38 | 53.69 | 0.5 | 6.72 | 0.18 |
| F-SES-1257-F | 330 | 11.38 | 54.69 | 0.5 | 6.84 | 0.18 |
| F-SES-1258-F | 344 | 11.38 | 55.69 | 0.5 | 6.96 | 0.18 |
| F-SES-1259-F | 344 | 11.38 | 56.69 | 0.5 | 7.08 | 0.19 |
| F-SES-1260-F | 344 | 11.38 | 57.69 | 0.5 | 7.2 | 0.19 |
| F-SES-1262-F | 362 | 11.38 | 59.69 | 0.5 | 7.44 | 0.2 |
| F-SES-1263-F | 362 | 11.38 | 60.69 | 0.5 | 7.56 | 0.2 |
| F-SES-1264-F | 379 | 11.38 | 61.69 | 0.5 | 7.68 | 0.2 |
| F-SES-1265-F | 379 | 11.38 | 62.69 | 0.5 | 7.8 | 0.21 |
| F-SES-1266-F | 379 | 11.38 | 63.69 | 0.5 | 7.92 | 0.21 |

| Code | Price | H (in.) | W (in.) | D 1 (in.) | Weight (lb) | Volume (ft ³) |
|---------------|-------|---------|---------|-----------|-------------|---------------------------|
| F-SES-1424-F | 162 | 13.25 | 21.69 | 0.5 | 3.36 | 0.08 |
| F-SES-1430-F | 199 | 13.25 | 27.69 | 0.5 | 4.2 | 0.11 |
| F-SES-1434-F | 237 | 13.25 | 31.69 | 0.5 | 5.04 | 0.12 |
| F-SES-1434D-F | 237 | 13.25 | 32.19 | 0.5 | 5.04 | 0.12 |
| F-SES-1435-F | 237 | 13.25 | 32.69 | 0.5 | 5.04 | 0.13 |
| F-SES-1435D-F | 237 | 13.25 | 33.19 | 0.5 | 5.04 | 0.13 |
| F-SES-1436-F | 237 | 13.25 | 33.69 | 0.5 | 5.04 | 0.13 |
| F-SES-1437-F | 251 | 13.25 | 34.69 | 0.5 | 5.18 | 0.13 |
| F-SES-1437D-F | 251 | 13.25 | 35.19 | 0.5 | 5.25 | 0.13 |
| F-SES-1438-F | 251 | 13.25 | 35.69 | 0.5 | 5.32 | 0.14 |
| F-SES-1438D-F | 251 | 13.25 | 36.19 | 0.5 | 5.39 | 0.14 |
| F-SES-1439-F | 251 | 13.25 | 36.69 | 0.5 | 5.46 | 0.14 |
| F-SES-1440-F | 275 | 13.25 | 37.69 | 0.5 | 5.6 | 0.14 |
| F-SES-1441-F | 275 | 13.25 | 38.69 | 0.5 | 5.74 | 0.15 |
| F-SES-1441D-F | 275 | 13.25 | 39.19 | 0.5 | 5.81 | 0.15 |
| F-SES-1442-F | 275 | 13.25 | 39.69 | 0.5 | 5.88 | 0.15 |
| F-SES-1443-F | 294 | 13.25 | 40.69 | 0.5 | 6.02 | 0.16 |
| F-SES-1444-F | 294 | 13.25 | 41.69 | 0.5 | 6.16 | 0.16 |
| F-SES-1444D-F | 294 | 13.25 | 42.19 | 0.5 | 6.23 | 0.16 |
| F-SES-1445-F | 294 | 13.25 | 42.69 | 0.5 | 6.3 | 0.16 |
| F-SES-1446-F | 308 | 13.25 | 43.69 | 0.5 | 6.44 | 0.17 |
| F-SES-1448-F | 308 | 13.25 | 45.69 | 0.5 | 6.72 | 0.18 |
| F-SES-1450-F | 327 | 13.25 | 47.69 | 0.5 | 7 | 0.18 |
| F-SES-1451-F | 327 | 13.25 | 48.69 | 0.5 | 7.14 | 0.19 |
| F-SES-1452-F | 346 | 13.25 | 49.69 | 0.5 | 7.28 | 0.19 |
| F-SES-1453-F | 346 | 13.25 | 50.69 | 0.5 | 7.42 | 0.19 |
| F-SES-1454-F | 346 | 13.25 | 51.69 | 0.5 | 7.56 | 0.2 |
| F-SES-1456-F | 363 | 13.25 | 53.69 | 0.5 | 7.84 | 0.21 |
| F-SES-1457-F | 363 | 13.25 | 54.69 | 0.5 | 7.98 | 0.21 |
| F-SES-1458-F | 383 | 13.25 | 55.69 | 0.5 | 8.12 | 0.21 |
| F-SES-1459-F | 383 | 13.25 | 56.69 | 0.5 | 8.26 | 0.22 |
| F-SES-1460-F | 383 | 13.25 | 57.69 | 0.5 | 8.4 | 0.22 |
| F-SES-1462-F | 402 | 13.25 | 59.69 | 0.5 | 8.68 | 0.23 |
| F-SES-1463-F | 402 | 13.25 | 60.69 | 0.5 | 8.82 | 0.23 |
| F-SES-1464-F | 421 | 13.25 | 61.69 | 0.5 | 8.96 | 0.24 |
| F-SES-1465-F | 421 | 13.25 | 62.69 | 0.5 | 9.1 | 0.24 |
| F-SES-1466-F | 421 | 13.25 | 63.69 | 0.5 | 9.24 | 0.24 |

| Code | Price | H (in.) | W (in.) | D 1 (in.) | Weight (lb) | Volume (ft ³) |
|---------------|-------|---------|---------|-----------|-------------|---------------------------|
| F-SES-2024-F | 216 | 19.25 | 21.69 | 0.5 | 4.8 | 0.12 |
| F-SES-2030-F | 263 | 19.25 | 27.69 | 0.5 | 6 | 0.15 |
| F-SES-2034-F | 308 | 19.25 | 31.69 | 0.5 | 7.2 | 0.18 |
| F-SES-2034D-F | 308 | 19.25 | 32.19 | 0.5 | 7.2 | 0.18 |
| F-SES-2035-F | 308 | 19.25 | 32.69 | 0.5 | 7.2 | 0.18 |
| F-SES-2035D-F | 308 | 19.25 | 33.19 | 0.5 | 7.2 | 0.18 |
| F-SES-2036-F | 308 | 19.25 | 33.69 | 0.5 | 7.2 | 0.19 |
| F-SES-2037-F | 335 | 19.25 | 34.69 | 0.5 | 7.4 | 0.19 |
| F-SES-2037D-F | 335 | 19.25 | 35.19 | 0.5 | 7.5 | 0.2 |
| F-SES-2038-F | 335 | 19.25 | 35.69 | 0.5 | 7.6 | 0.2 |
| F-SES-2038D-F | 335 | 19.25 | 36.19 | 0.5 | 7.7 | 0.2 |
| F-SES-2039-F | 335 | 19.25 | 36.69 | 0.5 | 7.8 | 0.2 |
| F-SES-2040-F | 360 | 19.25 | 37.69 | 0.5 | 8 | 0.21 |
| F-SES-2041-F | 360 | 19.25 | 38.69 | 0.5 | 8.2 | 0.22 |
| F-SES-2041D-F | 360 | 19.25 | 39.19 | 0.5 | 8.3 | 0.22 |
| F-SES-2042-F | 360 | 19.25 | 39.69 | 0.5 | 8.4 | 0.22 |
| F-SES-2043-F | 383 | 19.25 | 40.69 | 0.5 | 8.6 | 0.23 |
| F-SES-2044-F | 383 | 19.25 | 41.69 | 0.5 | 8.8 | 0.23 |
| F-SES-2044D-F | 383 | 19.25 | 42.19 | 0.5 | 8.9 | 0.23 |
| F-SES-2045-F | 383 | 19.25 | 42.69 | 0.5 | 9 | 0.24 |
| F-SES-2046-F | 409 | 19.25 | 43.69 | 0.5 | 9.2 | 0.24 |
| F-SES-2048-F | 409 | 19.25 | 45.69 | 0.5 | 9.6 | 0.25 |
| F-SES-2050-F | 427 | 19.25 | 47.69 | 0.5 | 10 | 0.27 |
| F-SES-2051-F | 427 | 19.25 | 48.69 | 0.5 | 10.2 | 0.27 |
| F-SES-2052-F | 456 | 19.25 | 49.69 | 0.5 | 10.4 | 0.28 |
| F-SES-2053-F | 456 | 19.25 | 50.69 | 0.5 | 10.6 | 0.28 |
| F-SES-2054-F | 456 | 19.25 | 51.69 | 0.5 | 10.8 | 0.29 |
| F-SES-2056-F | 480 | 19.25 | 53.69 | 0.5 | 11.2 | 0.3 |
| F-SES-2057-F | 480 | 19.25 | 54.69 | 0.5 | 11.4 | 0.3 |
| F-SES-2058-F | 505 | 19.25 | 55.69 | 0.5 | 11.6 | 0.31 |
| F-SES-2059-F | 505 | 19.25 | 56.69 | 0.5 | 11.8 | 0.32 |
| F-SES-2060-F | 505 | 19.25 | 57.69 | 0.5 | 12 | 0.32 |
| F-SES-2062-F | 525 | 19.25 | 59.69 | 0.5 | 12.4 | 0.33 |
| F-SES-2063-F | 525 | 19.25 | 60.69 | 0.5 | 12.6 | 0.34 |
| F-SES-2064-F | 549 | 19.25 | 61.69 | 0.5 | 12.8 | 0.34 |
| F-SES-2065-F | 549 | 19.25 | 62.69 | 0.5 | 13 | 0.35 |
| F-SES-2066-F | 549 | 19.25 | 63.69 | 0.5 | 13.2 | 0.35 |



What's Included:

Privacy screen (1), Horizontal rails (2), vertical retainers (2).

How to Specify:

Available in various heights and widths to provide specific workstation requirements

Privacy screens can be specified in sold laminate, whiteboard, fabric/tackboard, and frost acrylic.

Notes:

Privacy screen posts are 2-inches by 2-inches wide and are sold separately.

Options:

| | |
|-----------------|--|
| Height | 6", 12", 14", 20" |
| Width | 24", 30", 36", 42", 44", 45", 46", 48", 50", 51", 52", 53", 54", 56", 57", 58", 59", 60", 62", 63", 64", 65", 66", 68", 69", 70", 71", 72" |
| Screen material | S solid W whiteboard T fabric/tackboard F frost |

How to Order and Read your Code:

| | | | | |
|--------------|------------|-----------|-----------|----------|
| F | SSS | 12 | 60 | F |
| product line | item | height | width | acrylic |

| Code | Price | H (in.) | W (in.) | D T (in.) | Weight (lb) | Volume (ft ³) |
|---------------|-------|---------|---------|-----------|-------------|---------------------------|
| F-SSS-0624-S | 55 | 5.38 | 22.97 | 0.5 | 2.88 | 0.04 |
| F-SSS-0630-S | 62 | 5.38 | 28.97 | 0.5 | 3.6 | 0.05 |
| F-SSS-0636-S | 72 | 5.38 | 34.97 | 0.5 | 4.32 | 0.05 |
| F-SSS-0637-S | 77 | 5.38 | 35.97 | 0.5 | 4.44 | 0.06 |
| F-SSS-0637D-S | 77 | 5.38 | 36.47 | 0.5 | 4.5 | 0.06 |
| F-SSS-0638-S | 77 | 5.38 | 36.97 | 0.5 | 4.56 | 0.06 |
| F-SSS-0638D-S | 77 | 5.38 | 37.47 | 0.5 | 4.62 | 0.06 |
| F-SSS-0639-S | 77 | 5.38 | 37.97 | 0.5 | 4.68 | 0.06 |
| F-SSS-0640-S | 82 | 5.38 | 38.97 | 0.5 | 4.8 | 0.06 |
| F-SSS-0641-S | 82 | 5.38 | 39.97 | 0.5 | 4.92 | 0.06 |
| F-SSS-0641D-S | 82 | 5.38 | 40.47 | 0.5 | 4.98 | 0.06 |
| F-SSS-0642-S | 82 | 5.38 | 40.97 | 0.5 | 5.04 | 0.06 |
| F-SSS-0643-S | 87 | 5.38 | 41.97 | 0.5 | 5.16 | 0.07 |
| F-SSS-0644-S | 87 | 5.38 | 42.97 | 0.5 | 5.28 | 0.07 |
| F-SSS-0644D-S | 87 | 5.38 | 43.47 | 0.5 | 5.34 | 0.07 |
| F-SSS-0645-S | 87 | 5.38 | 43.97 | 0.5 | 5.4 | 0.07 |
| F-SSS-0648-S | 94 | 5.38 | 46.97 | 0.5 | 5.76 | 0.07 |
| F-SSS-0654-S | 101 | 5.38 | 52.97 | 0.5 | 6.48 | 0.08 |
| F-SSS-0660-S | 114 | 5.38 | 58.97 | 0.5 | 7.2 | 0.09 |
| F-SSS-0666-S | 124 | 5.38 | 64.97 | 0.5 | 7.92 | 0.1 |

| Code | Price | H (in.) | W (in.) | D 1 (in.) | Weight (lb) | Volume (ft ³) |
|---------------|-------|---------|---------|-----------|-------------|---------------------------|
| F-SSS-1224-S | 68 | 11.38 | 22.97 | 0.5 | 5.76 | 0.08 |
| F-SSS-1230-S | 81 | 11.38 | 28.97 | 0.5 | 7.2 | 0.1 |
| F-SSS-1236-S | 96 | 11.38 | 34.97 | 0.5 | 8.64 | 0.12 |
| F-SSS-1237-S | 101 | 11.38 | 35.97 | 0.5 | 8.88 | 0.12 |
| F-SSS-1237D-S | 101 | 11.38 | 36.47 | 0.5 | 9 | 0.12 |
| F-SSS-1238-S | 101 | 11.38 | 36.97 | 0.5 | 9.12 | 0.12 |
| F-SSS-1238D-S | 101 | 11.38 | 37.47 | 0.5 | 9.24 | 0.12 |
| F-SSS-1239-S | 101 | 11.38 | 37.97 | 0.5 | 9.36 | 0.12 |
| F-SSS-1240-S | 107 | 11.38 | 38.97 | 0.5 | 9.6 | 0.13 |
| F-SSS-1241-S | 107 | 11.38 | 39.97 | 0.5 | 9.84 | 0.13 |
| F-SSS-1241D-S | 107 | 11.38 | 40.47 | 0.5 | 9.96 | 0.13 |
| F-SSS-1242-S | 107 | 11.38 | 40.97 | 0.5 | 10.08 | 0.13 |
| F-SSS-1243-S | 116 | 11.38 | 41.97 | 0.5 | 10.32 | 0.14 |
| F-SSS-1244-S | 116 | 11.38 | 42.97 | 0.5 | 10.56 | 0.14 |
| F-SSS-1244D-S | 116 | 11.38 | 43.47 | 0.5 | 10.68 | 0.14 |
| F-SSS-1245-S | 116 | 11.38 | 43.97 | 0.5 | 10.8 | 0.14 |
| F-SSS-1248-S | 124 | 11.38 | 46.97 | 0.5 | 11.52 | 0.15 |
| F-SSS-1254-S | 136 | 11.38 | 52.97 | 0.5 | 12.96 | 0.17 |
| F-SSS-1260-S | 147 | 11.38 | 58.97 | 0.5 | 14.4 | 0.19 |
| F-SSS-1266-S | 161 | 11.38 | 64.97 | 0.5 | 15.84 | 0.21 |

| Code | Price | H (in.) | W (in.) | D 1 (in.) | Weight (lb) | Volume (ft ³) |
|---------------|-------|---------|---------|-----------|-------------|---------------------------|
| F-SSS-1424-S | 72 | 13.25 | 22.97 | 0.5 | 6.72 | 0.09 |
| F-SSS-1430-S | 87 | 13.25 | 28.97 | 0.5 | 8.4 | 0.11 |
| F-SSS-1434-S | 101 | 13.25 | 32.97 | 0.5 | 10.08 | 0.13 |
| F-SSS-1434D-S | 102 | 13.25 | 33.47 | 0.5 | 10.08 | 0.13 |
| F-SSS-1435-S | 101 | 13.25 | 33.97 | 0.5 | 10.08 | 0.13 |
| F-SSS-1435D-S | 101 | 13.25 | 34.47 | 0.5 | 10.08 | 0.13 |
| F-SSS-1436-S | 101 | 13.25 | 34.97 | 0.5 | 10.08 | 0.13 |
| F-SSS-1437-S | 107 | 13.25 | 35.97 | 0.5 | 10.36 | 0.14 |
| F-SSS-1437D-S | 107 | 13.25 | 36.47 | 0.5 | 10.5 | 0.14 |
| F-SSS-1438-S | 107 | 13.25 | 36.97 | 0.5 | 10.64 | 0.14 |
| F-SSS-1438D-S | 107 | 13.25 | 37.47 | 0.5 | 10.78 | 0.14 |
| F-SSS-1439-S | 107 | 13.25 | 37.97 | 0.5 | 10.92 | 0.15 |
| F-SSS-1440-S | 117 | 13.25 | 38.97 | 0.5 | 11.2 | 0.15 |
| F-SSS-1441-S | 117 | 13.25 | 39.97 | 0.5 | 11.48 | 0.15 |
| F-SSS-1441D-S | 117 | 13.25 | 40.47 | 0.5 | 11.62 | 0.16 |
| F-SSS-1442-S | 117 | 13.25 | 40.97 | 0.5 | 11.76 | 0.16 |
| F-SSS-1443-S | 126 | 13.25 | 41.97 | 0.5 | 12.04 | 0.16 |
| F-SSS-1444-S | 126 | 13.25 | 42.97 | 0.5 | 12.32 | 0.16 |
| F-SSS-1444D-S | 126 | 13.25 | 43.47 | 0.5 | 12.46 | 0.17 |
| F-SSS-1445-S | 126 | 13.25 | 43.97 | 0.5 | 12.6 | 0.17 |
| F-SSS-1448-S | 132 | 13.25 | 46.97 | 0.5 | 13.44 | 0.18 |
| F-SSS-1454-S | 145 | 13.25 | 52.97 | 0.5 | 15.12 | 0.2 |
| F-SSS-1460-S | 160 | 13.25 | 58.97 | 0.5 | 16.8 | 0.23 |
| F-SSS-1466-S | 175 | 13.25 | 64.97 | 0.5 | 18.48 | 0.25 |

| Code | Price | H (in.) | W (in.) | D 1 (in.) | Weight (lb) | Volume (ft ³) |
|---------------|-------|---------|---------|-----------|-------------|---------------------------|
| F-SSS-2024-S | 92 | 19.25 | 22.97 | 0.5 | 9.6 | 0.13 |
| F-SSS-2030-S | 104 | 19.25 | 28.97 | 0.5 | 12 | 0.16 |
| F-SSS-2034-S | 126 | 19.25 | 32.97 | 0.5 | 14.4 | 0.18 |
| F-SSS-2034D-S | 127 | 19.25 | 33.47 | 0.5 | 14.4 | 0.19 |
| F-SSS-2035-S | 126 | 19.25 | 33.97 | 0.5 | 14.4 | 0.19 |
| F-SSS-2035D-S | 126 | 19.25 | 34.47 | 0.5 | 14.4 | 0.19 |
| F-SSS-2036-S | 126 | 19.25 | 34.97 | 0.5 | 14.4 | 0.19 |
| F-SSS-2037-S | 133 | 19.25 | 35.97 | 0.5 | 14.8 | 0.2 |
| F-SSS-2037D-S | 133 | 19.25 | 36.47 | 0.5 | 15 | 0.2 |
| F-SSS-2038-S | 133 | 19.25 | 36.97 | 0.5 | 15.2 | 0.21 |
| F-SSS-2038D-S | 133 | 19.25 | 37.47 | 0.5 | 15.4 | 0.21 |
| F-SSS-2039-S | 133 | 19.25 | 37.97 | 0.5 | 15.6 | 0.21 |
| F-SSS-2040-S | 144 | 19.25 | 38.97 | 0.5 | 16 | 0.22 |
| F-SSS-2041-S | 144 | 19.25 | 39.97 | 0.5 | 16.4 | 0.22 |
| F-SSS-2041D-S | 144 | 19.25 | 40.47 | 0.5 | 16.6 | 0.23 |
| F-SSS-2042-S | 144 | 19.25 | 40.97 | 0.5 | 16.8 | 0.23 |
| F-SSS-2043-S | 149 | 19.25 | 41.97 | 0.5 | 17.2 | 0.23 |
| F-SSS-2044-S | 149 | 19.25 | 42.97 | 0.5 | 17.6 | 0.24 |
| F-SSS-2044D-S | 149 | 19.25 | 43.47 | 0.5 | 17.8 | 0.24 |
| F-SSS-2045-S | 149 | 19.25 | 43.97 | 0.5 | 18 | 0.24 |
| F-SSS-2048-S | 160 | 19.25 | 46.97 | 0.5 | 19.2 | 0.26 |
| F-SSS-2054-S | 178 | 19.25 | 52.97 | 0.5 | 21.6 | 0.3 |
| F-SSS-2060-S | 198 | 19.25 | 58.97 | 0.5 | 24 | 0.33 |
| F-SSS-2066-S | 217 | 19.25 | 64.97 | 0.5 | 26.4 | 0.36 |

| Code | Price | H (in.) | W (in.) | D 1 (in.) | Weight (lb) | Volume (ft ³) |
|---------------|-------|---------|---------|-----------|-------------|---------------------------|
| F-SSS-1224-W | 149 | 11.38 | 22.97 | 0.5 | 6.4 | 0.08 |
| F-SSS-1230-W | 181 | 11.38 | 28.97 | 0.5 | 8 | 0.1 |
| F-SSS-1236-W | 217 | 11.38 | 34.97 | 0.5 | 9.6 | 0.12 |
| F-SSS-1237-W | 228 | 11.38 | 35.97 | 0.5 | 9.87 | 0.12 |
| F-SSS-1237D-W | 228 | 11.38 | 36.47 | 0.5 | 10 | 0.12 |
| F-SSS-1238-W | 228 | 11.38 | 36.97 | 0.5 | 10.14 | 0.12 |
| F-SSS-1238D-W | 228 | 11.38 | 37.47 | 0.5 | 10.27 | 0.12 |
| F-SSS-1239-W | 228 | 11.38 | 37.97 | 0.5 | 10.4 | 0.12 |
| F-SSS-1240-W | 247 | 11.38 | 38.97 | 0.5 | 10.67 | 0.13 |
| F-SSS-1241-W | 247 | 11.38 | 39.97 | 0.5 | 10.94 | 0.13 |
| F-SSS-1241D-W | 247 | 11.38 | 40.47 | 0.5 | 11.07 | 0.13 |
| F-SSS-1242-W | 247 | 11.38 | 40.97 | 0.5 | 11.2 | 0.13 |
| F-SSS-1243-W | 264 | 11.38 | 41.97 | 0.5 | 11.47 | 0.14 |
| F-SSS-1244-W | 264 | 11.38 | 42.97 | 0.5 | 11.73 | 0.14 |
| F-SSS-1244D-W | 264 | 11.38 | 43.47 | 0.5 | 11.87 | 0.14 |
| F-SSS-1245-W | 264 | 11.38 | 43.97 | 0.5 | 12 | 0.14 |
| F-SSS-1248-W | 281 | 11.38 | 46.97 | 0.5 | 12.8 | 0.15 |
| F-SSS-1254-W | 310 | 11.38 | 52.97 | 0.5 | 14.4 | 0.17 |
| F-SSS-1260-W | 348 | 11.38 | 58.97 | 0.5 | 16 | 0.19 |
| F-SSS-1266-W | 380 | 11.38 | 64.97 | 0.5 | 17.6 | 0.21 |

| Code | Price | H (in.) | W (in.) | D 1 (in.) | Weight (lb) | Volume (ft ³) |
|---------------|-------|---------|---------|-----------|-------------|---------------------------|
| F-SSS-1424-W | 161 | 13.25 | 22.97 | 0.5 | 7.47 | 0.09 |
| F-SSS-1430-W | 202 | 13.25 | 28.97 | 0.5 | 9.33 | 0.11 |
| F-SSS-1434-W | 238 | 13.25 | 32.97 | 0.5 | 11.2 | 0.13 |
| F-SSS-1434D-W | 238 | 13.25 | 33.47 | 0.5 | 11.2 | 0.13 |
| F-SSS-1435-W | 238 | 13.25 | 33.97 | 0.5 | 11.2 | 0.13 |
| F-SSS-1435D-W | 238 | 13.25 | 34.47 | 0.5 | 11.2 | 0.13 |
| F-SSS-1436-W | 238 | 13.25 | 34.97 | 0.5 | 11.2 | 0.13 |
| F-SSS-1437-W | 256 | 13.25 | 35.97 | 0.5 | 11.51 | 0.14 |
| F-SSS-1437D-W | 256 | 13.25 | 36.47 | 0.5 | 11.67 | 0.14 |
| F-SSS-1438-W | 256 | 13.25 | 36.97 | 0.5 | 11.82 | 0.14 |
| F-SSS-1438D-W | 256 | 13.25 | 37.47 | 0.5 | 11.98 | 0.14 |
| F-SSS-1439-W | 256 | 13.25 | 37.97 | 0.5 | 12.13 | 0.15 |
| F-SSS-1440-W | 277 | 13.25 | 38.97 | 0.5 | 12.45 | 0.15 |
| F-SSS-1441-W | 277 | 13.25 | 39.97 | 0.5 | 12.76 | 0.15 |
| F-SSS-1441D-W | 277 | 13.25 | 40.47 | 0.5 | 12.91 | 0.16 |
| F-SSS-1442-W | 277 | 13.25 | 40.97 | 0.5 | 13.07 | 0.16 |
| F-SSS-1443-W | 296 | 13.25 | 41.97 | 0.5 | 13.38 | 0.16 |
| F-SSS-1444-W | 296 | 13.25 | 42.97 | 0.5 | 13.69 | 0.16 |
| F-SSS-1444D-W | 296 | 13.25 | 43.47 | 0.5 | 13.85 | 0.17 |
| F-SSS-1445-W | 296 | 13.25 | 43.97 | 0.5 | 14 | 0.17 |
| F-SSS-1448-W | 310 | 13.25 | 46.97 | 0.5 | 14.93 | 0.18 |
| F-SSS-1454-W | 349 | 13.25 | 52.97 | 0.5 | 16.8 | 0.2 |
| F-SSS-1460-W | 388 | 13.25 | 58.97 | 0.5 | 18.67 | 0.23 |
| F-SSS-1466-W | 425 | 13.25 | 64.97 | 0.5 | 20.53 | 0.25 |

| Code | Price | H (in.) | W (in.) | D 1 (in.) | Weight (lb) | Volume (ft ³) |
|---------------|-------|---------|---------|-----------|-------------|---------------------------|
| F-SSS-2024-W | 218 | 19.25 | 22.97 | 0.5 | 10.67 | 0.13 |
| F-SSS-2030-W | 268 | 19.25 | 28.97 | 0.5 | 13.33 | 0.16 |
| F-SSS-2034-W | 315 | 19.25 | 32.97 | 0.5 | 16 | 0.18 |
| F-SSS-2034D-W | 318 | 19.25 | 33.47 | 0.5 | 16 | 0.19 |
| F-SSS-2035-W | 315 | 19.25 | 33.97 | 0.5 | 16 | 0.19 |
| F-SSS-2035D-W | 315 | 19.25 | 34.47 | 0.5 | 16 | 0.19 |
| F-SSS-2036-W | 315 | 19.25 | 34.97 | 0.5 | 16 | 0.19 |
| F-SSS-2037-W | 342 | 19.25 | 35.97 | 0.5 | 16.45 | 0.2 |
| F-SSS-2037D-W | 342 | 19.25 | 36.47 | 0.5 | 16.67 | 0.2 |
| F-SSS-2038-W | 342 | 19.25 | 36.97 | 0.5 | 16.89 | 0.21 |
| F-SSS-2038D-W | 342 | 19.25 | 37.47 | 0.5 | 17.11 | 0.21 |
| F-SSS-2039-W | 342 | 19.25 | 37.97 | 0.5 | 17.33 | 0.21 |
| F-SSS-2040-W | 370 | 19.25 | 38.97 | 0.5 | 17.78 | 0.22 |
| F-SSS-2041-W | 370 | 19.25 | 39.97 | 0.5 | 18.22 | 0.22 |
| F-SSS-2041D-W | 370 | 19.25 | 40.47 | 0.5 | 18.45 | 0.23 |
| F-SSS-2042-W | 370 | 19.25 | 40.97 | 0.5 | 18.67 | 0.23 |
| F-SSS-2043-W | 395 | 19.25 | 41.97 | 0.5 | 19.11 | 0.23 |
| F-SSS-2044-W | 395 | 19.25 | 42.97 | 0.5 | 19.56 | 0.24 |
| F-SSS-2044D-W | 395 | 19.25 | 43.47 | 0.5 | 19.78 | 0.24 |
| F-SSS-2045-W | 395 | 19.25 | 43.97 | 0.5 | 20 | 0.24 |
| F-SSS-2048-W | 420 | 19.25 | 46.97 | 0.5 | 21.33 | 0.26 |
| F-SSS-2054-W | 467 | 19.25 | 52.97 | 0.5 | 24 | 0.3 |
| F-SSS-2060-W | 520 | 19.25 | 58.97 | 0.5 | 26.67 | 0.33 |
| F-SSS-2066-W | 571 | 19.25 | 64.97 | 0.5 | 29.33 | 0.36 |

| Code | Price | H (in.) | W (in.) | D 1 (in.) | Weight (lb) | Volume (ft ³) |
|---------------|-------|---------|---------|-----------|-------------|---------------------------|
| F-SSS-0624-T | 144 | 5.38 | 22.97 | 0.5 | 2.88 | 0.04 |
| F-SSS-0630-T | 174 | 5.38 | 28.97 | 0.5 | 3.6 | 0.05 |
| F-SSS-0636-T | 203 | 5.38 | 34.97 | 0.5 | 4.32 | 0.05 |
| F-SSS-0637-T | 220 | 5.38 | 35.97 | 0.5 | 4.44 | 0.06 |
| F-SSS-0637D-T | 220 | 5.38 | 36.47 | 0.5 | 4.5 | 0.06 |
| F-SSS-0638-T | 220 | 5.38 | 36.97 | 0.5 | 4.56 | 0.06 |
| F-SSS-0638D-T | 220 | 5.38 | 37.47 | 0.5 | 4.62 | 0.06 |
| F-SSS-0639-T | 220 | 5.38 | 37.97 | 0.5 | 4.68 | 0.06 |
| F-SSS-0640-T | 235 | 5.38 | 38.97 | 0.5 | 4.8 | 0.06 |
| F-SSS-0641-T | 235 | 5.38 | 39.97 | 0.5 | 4.92 | 0.06 |
| F-SSS-0641D-T | 235 | 5.38 | 40.47 | 0.5 | 4.98 | 0.06 |
| F-SSS-0642-T | 235 | 5.38 | 40.97 | 0.5 | 5.04 | 0.06 |
| F-SSS-0643-T | 247 | 5.38 | 41.97 | 0.5 | 5.16 | 0.07 |
| F-SSS-0644-T | 247 | 5.38 | 42.97 | 0.5 | 5.28 | 0.07 |
| F-SSS-0644D-T | 247 | 5.38 | 43.47 | 0.5 | 5.34 | 0.07 |
| F-SSS-0645-T | 247 | 5.38 | 43.97 | 0.5 | 5.4 | 0.07 |
| F-SSS-0648-T | 264 | 5.38 | 46.97 | 0.5 | 5.76 | 0.07 |
| F-SSS-0654-T | 295 | 5.38 | 52.97 | 0.5 | 6.48 | 0.08 |
| F-SSS-0660-T | 324 | 5.38 | 58.97 | 0.5 | 7.2 | 0.09 |
| F-SSS-0666-T | 354 | 5.38 | 64.97 | 0.5 | 7.92 | 0.1 |

| Code | Price | H (in.) | W (in.) | D 1 (in.) | Weight (lb) | Volume (ft ³) |
|---------------|-------|---------|---------|-----------|-------------|---------------------------|
| F-SSS-1224-T | 217 | 11.38 | 22.97 | 0.5 | 5.76 | 0.08 |
| F-SSS-1230-T | 263 | 11.38 | 28.97 | 0.5 | 7.2 | 0.1 |
| F-SSS-1236-T | 308 | 11.38 | 34.97 | 0.5 | 8.64 | 0.12 |
| F-SSS-1237-T | 334 | 11.38 | 35.97 | 0.5 | 8.88 | 0.12 |
| F-SSS-1237D-T | 334 | 11.38 | 36.47 | 0.5 | 9 | 0.12 |
| F-SSS-1238-T | 334 | 11.38 | 36.97 | 0.5 | 9.12 | 0.12 |
| F-SSS-1238D-T | 334 | 11.38 | 37.47 | 0.5 | 9.24 | 0.12 |
| F-SSS-1239-T | 334 | 11.38 | 37.97 | 0.5 | 9.36 | 0.12 |
| F-SSS-1240-T | 354 | 11.38 | 38.97 | 0.5 | 9.6 | 0.13 |
| F-SSS-1241-T | 354 | 11.38 | 39.97 | 0.5 | 9.84 | 0.13 |
| F-SSS-1241D-T | 354 | 11.38 | 40.47 | 0.5 | 9.96 | 0.13 |
| F-SSS-1242-T | 354 | 11.38 | 40.97 | 0.5 | 10.08 | 0.13 |
| F-SSS-1243-T | 379 | 11.38 | 41.97 | 0.5 | 10.32 | 0.14 |
| F-SSS-1244-T | 379 | 11.38 | 42.97 | 0.5 | 10.56 | 0.14 |
| F-SSS-1244D-T | 379 | 11.38 | 43.47 | 0.5 | 10.68 | 0.14 |
| F-SSS-1245-T | 379 | 11.38 | 43.97 | 0.5 | 10.8 | 0.14 |
| F-SSS-1248-T | 402 | 11.38 | 46.97 | 0.5 | 11.52 | 0.15 |
| F-SSS-1254-T | 444 | 11.38 | 52.97 | 0.5 | 12.96 | 0.17 |
| F-SSS-1260-T | 491 | 11.38 | 58.97 | 0.5 | 14.4 | 0.19 |
| F-SSS-1266-T | 541 | 11.38 | 64.97 | 0.5 | 15.84 | 0.21 |

| Code | Price | H (in.) | W (in.) | D 1 (in.) | Weight (lb) | Volume (ft ³) |
|---------------|-------|---------|---------|-----------|-------------|---------------------------|
| F-SSS-1424-T | 238 | 13.25 | 22.97 | 0.5 | 6.72 | 0.09 |
| F-SSS-1430-T | 293 | 13.25 | 28.97 | 0.5 | 8.4 | 0.11 |
| F-SSS-1434-T | 340 | 13.25 | 32.97 | 0.5 | 10.08 | 0.13 |
| F-SSS-1434D-T | 340 | 13.25 | 33.47 | 0.5 | 10.08 | 0.13 |
| F-SSS-1435-T | 340 | 13.25 | 33.97 | 0.5 | 10.08 | 0.13 |
| F-SSS-1435D-T | 340 | 13.25 | 34.47 | 0.5 | 10.08 | 0.13 |
| F-SSS-1436-T | 340 | 13.25 | 34.97 | 0.5 | 10.08 | 0.13 |
| F-SSS-1437-T | 368 | 13.25 | 35.97 | 0.5 | 10.36 | 0.14 |
| F-SSS-1437D-T | 368 | 13.25 | 36.47 | 0.5 | 10.5 | 0.14 |
| F-SSS-1438-T | 368 | 13.25 | 36.97 | 0.5 | 10.64 | 0.14 |
| F-SSS-1438D-T | 368 | 13.25 | 37.47 | 0.5 | 10.78 | 0.14 |
| F-SSS-1439-T | 368 | 13.25 | 37.97 | 0.5 | 10.92 | 0.15 |
| F-SSS-1440-T | 393 | 13.25 | 38.97 | 0.5 | 11.2 | 0.15 |
| F-SSS-1441-T | 393 | 13.25 | 39.97 | 0.5 | 11.48 | 0.15 |
| F-SSS-1441D-T | 393 | 13.25 | 40.47 | 0.5 | 11.62 | 0.16 |
| F-SSS-1442-T | 393 | 13.25 | 40.97 | 0.5 | 11.76 | 0.16 |
| F-SSS-1443-T | 420 | 13.25 | 41.97 | 0.5 | 12.04 | 0.16 |
| F-SSS-1444-T | 420 | 13.25 | 42.97 | 0.5 | 12.32 | 0.16 |
| F-SSS-1444D-T | 420 | 13.25 | 43.47 | 0.5 | 12.46 | 0.17 |
| F-SSS-1445-T | 420 | 13.25 | 43.97 | 0.5 | 12.6 | 0.17 |
| F-SSS-1448-T | 441 | 13.25 | 46.97 | 0.5 | 13.44 | 0.18 |
| F-SSS-1454-T | 496 | 13.25 | 52.97 | 0.5 | 15.12 | 0.2 |
| F-SSS-1460-T | 546 | 13.25 | 58.97 | 0.5 | 16.8 | 0.23 |
| F-SSS-1466-T | 598 | 13.25 | 64.97 | 0.5 | 18.48 | 0.25 |

| Code | Price | H (in.) | W (in.) | D 1 (in.) | Weight (lb) | Volume (ft ³) |
|---------------|-------|---------|---------|-----------|-------------|---------------------------|
| F-SSS-2024-T | 310 | 19.25 | 22.97 | 0.5 | 9.6 | 0.13 |
| F-SSS-2030-T | 379 | 19.25 | 28.97 | 0.5 | 12 | 0.16 |
| F-SSS-2034-T | 444 | 19.25 | 32.97 | 0.5 | 14.4 | 0.18 |
| F-SSS-2034D-T | 448 | 19.25 | 33.47 | 0.5 | 14.4 | 0.19 |
| F-SSS-2035-T | 444 | 19.25 | 33.97 | 0.5 | 14.4 | 0.19 |
| F-SSS-2035D-T | 444 | 19.25 | 34.47 | 0.5 | 14.4 | 0.19 |
| F-SSS-2036-T | 444 | 19.25 | 34.97 | 0.5 | 14.4 | 0.19 |
| F-SSS-2037-T | 481 | 19.25 | 35.97 | 0.5 | 14.8 | 0.2 |
| F-SSS-2037D-T | 481 | 19.25 | 36.47 | 0.5 | 15 | 0.2 |
| F-SSS-2038-T | 481 | 19.25 | 36.97 | 0.5 | 15.2 | 0.21 |
| F-SSS-2038D-T | 481 | 19.25 | 37.47 | 0.5 | 15.4 | 0.21 |
| F-SSS-2039-T | 481 | 19.25 | 37.97 | 0.5 | 15.6 | 0.21 |
| F-SSS-2040-T | 514 | 19.25 | 38.97 | 0.5 | 16 | 0.22 |
| F-SSS-2041-T | 514 | 19.25 | 39.97 | 0.5 | 16.4 | 0.22 |
| F-SSS-2041D-T | 514 | 19.25 | 40.47 | 0.5 | 16.6 | 0.23 |
| F-SSS-2042-T | 514 | 19.25 | 40.97 | 0.5 | 16.8 | 0.23 |
| F-SSS-2043-T | 546 | 19.25 | 41.97 | 0.5 | 17.2 | 0.23 |
| F-SSS-2044-T | 546 | 19.25 | 42.97 | 0.5 | 17.6 | 0.24 |
| F-SSS-2044D-T | 546 | 19.25 | 43.47 | 0.5 | 17.8 | 0.24 |
| F-SSS-2045-T | 546 | 19.25 | 43.97 | 0.5 | 18 | 0.24 |
| F-SSS-2048-T | 581 | 19.25 | 46.97 | 0.5 | 19.2 | 0.26 |
| F-SSS-2054-T | 647 | 19.25 | 52.97 | 0.5 | 21.6 | 0.3 |
| F-SSS-2060-T | 716 | 19.25 | 58.97 | 0.5 | 24 | 0.33 |
| F-SSS-2066-T | 785 | 19.25 | 64.97 | 0.5 | 26.4 | 0.36 |

| Code | Price | H (in.) | W (in.) | D 1 (in.) | Weight (lb) | Volume (ft ³) |
|---------------|-------|---------|---------|-----------|-------------|---------------------------|
| F-SSS-0624-F | 98 | 5.38 | 22.97 | 0.5 | 1.44 | 0.04 |
| F-SSS-0630-F | 120 | 5.38 | 28.97 | 0.5 | 1.8 | 0.05 |
| F-SSS-0636-F | 142 | 5.38 | 34.97 | 0.5 | 2.16 | 0.05 |
| F-SSS-0637-F | 149 | 5.38 | 35.97 | 0.5 | 2.22 | 0.06 |
| F-SSS-0637D-F | 149 | 5.38 | 36.47 | 0.5 | 2.25 | 0.06 |
| F-SSS-0638-F | 149 | 5.38 | 36.97 | 0.5 | 2.28 | 0.06 |
| F-SSS-0638D-F | 149 | 5.38 | 37.47 | 0.5 | 2.31 | 0.06 |
| F-SSS-0639-F | 149 | 5.38 | 37.97 | 0.5 | 2.34 | 0.06 |
| F-SSS-0640-F | 161 | 5.38 | 38.97 | 0.5 | 2.4 | 0.06 |
| F-SSS-0641-F | 161 | 5.38 | 39.97 | 0.5 | 2.46 | 0.06 |
| F-SSS-0641D-F | 161 | 5.38 | 40.47 | 0.5 | 2.49 | 0.06 |
| F-SSS-0642-F | 161 | 5.38 | 40.97 | 0.5 | 2.52 | 0.06 |
| F-SSS-0643-F | 173 | 5.38 | 41.97 | 0.5 | 2.58 | 0.07 |
| F-SSS-0644-F | 173 | 5.38 | 42.97 | 0.5 | 2.64 | 0.07 |
| F-SSS-0644D-F | 173 | 5.38 | 43.47 | 0.5 | 2.67 | 0.07 |
| F-SSS-0645-F | 173 | 5.38 | 43.97 | 0.5 | 2.7 | 0.07 |
| F-SSS-0648-F | 181 | 5.38 | 46.97 | 0.5 | 2.88 | 0.07 |
| F-SSS-0654-F | 203 | 5.38 | 52.97 | 0.5 | 3.24 | 0.08 |
| F-SSS-0660-F | 228 | 5.38 | 58.97 | 0.5 | 3.6 | 0.09 |
| F-SSS-0666-F | 246 | 5.38 | 64.97 | 0.5 | 3.96 | 0.1 |

| Code | Price | H (in.) | W (in.) | D 1 (in.) | Weight (lb) | Volume (ft ³) |
|---------------|-------|---------|---------|-----------|-------------|---------------------------|
| F-SSS-1224-F | 146 | 11.38 | 22.97 | 0.5 | 2.88 | 0.08 |
| F-SSS-1230-F | 180 | 11.38 | 28.97 | 0.5 | 3.6 | 0.1 |
| F-SSS-1236-F | 216 | 11.38 | 34.97 | 0.5 | 4.32 | 0.12 |
| F-SSS-1237-F | 230 | 11.38 | 35.97 | 0.5 | 4.44 | 0.12 |
| F-SSS-1237D-F | 230 | 11.38 | 36.47 | 0.5 | 4.5 | 0.12 |
| F-SSS-1238-F | 230 | 11.38 | 36.97 | 0.5 | 4.56 | 0.12 |
| F-SSS-1238D-F | 230 | 11.38 | 37.47 | 0.5 | 4.62 | 0.12 |
| F-SSS-1239-F | 230 | 11.38 | 37.97 | 0.5 | 4.68 | 0.12 |
| F-SSS-1240-F | 246 | 11.38 | 38.97 | 0.5 | 4.8 | 0.13 |
| F-SSS-1241-F | 246 | 11.38 | 39.97 | 0.5 | 4.92 | 0.13 |
| F-SSS-1241D-F | 246 | 11.38 | 40.47 | 0.5 | 4.98 | 0.13 |
| F-SSS-1242-F | 246 | 11.38 | 40.97 | 0.5 | 5.04 | 0.13 |
| F-SSS-1243-F | 264 | 11.38 | 41.97 | 0.5 | 5.16 | 0.14 |
| F-SSS-1244-F | 264 | 11.38 | 42.97 | 0.5 | 5.28 | 0.14 |
| F-SSS-1244D-F | 264 | 11.38 | 43.47 | 0.5 | 5.34 | 0.14 |
| F-SSS-1245-F | 264 | 11.38 | 43.97 | 0.5 | 5.4 | 0.14 |
| F-SSS-1248-F | 278 | 11.38 | 46.97 | 0.5 | 5.76 | 0.15 |
| F-SSS-1254-F | 313 | 11.38 | 52.97 | 0.5 | 6.48 | 0.17 |
| F-SSS-1260-F | 344 | 11.38 | 58.97 | 0.5 | 7.2 | 0.19 |
| F-SSS-1266-F | 379 | 11.38 | 64.97 | 0.5 | 7.92 | 0.21 |

| Code | Price | H (in.) | W (in.) | D 1 (in.) | Weight (lb) | Volume (ft ³) |
|---------------|-------|---------|---------|-----------|-------------|---------------------------|
| F-SSS-1424-F | 162 | 13.25 | 22.97 | 0.5 | 3.36 | 0.09 |
| F-SSS-1430-F | 199 | 13.25 | 28.97 | 0.5 | 4.2 | 0.11 |
| F-SSS-1434-F | 237 | 13.25 | 32.97 | 0.5 | 5.04 | 0.13 |
| F-SSS-1434D-F | 237 | 13.25 | 33.47 | 0.5 | 5.04 | 0.13 |
| F-SSS-1435-F | 237 | 13.25 | 33.97 | 0.5 | 5.04 | 0.13 |
| F-SSS-1435D-F | 237 | 13.25 | 34.47 | 0.5 | 5.04 | 0.13 |
| F-SSS-1436-F | 237 | 13.25 | 34.97 | 0.5 | 5.04 | 0.13 |
| F-SSS-1437-F | 251 | 13.25 | 35.97 | 0.5 | 5.18 | 0.14 |
| F-SSS-1437D-F | 251 | 13.25 | 36.47 | 0.5 | 5.25 | 0.14 |
| F-SSS-1438-F | 251 | 13.25 | 36.97 | 0.5 | 5.32 | 0.14 |
| F-SSS-1438D-F | 251 | 13.25 | 37.47 | 0.5 | 5.39 | 0.14 |
| F-SSS-1439-F | 251 | 13.25 | 37.97 | 0.5 | 5.46 | 0.15 |
| F-SSS-1440-F | 275 | 13.25 | 38.97 | 0.5 | 5.6 | 0.15 |
| F-SSS-1441-F | 275 | 13.25 | 39.97 | 0.5 | 5.74 | 0.15 |
| F-SSS-1441D-F | 275 | 13.25 | 40.47 | 0.5 | 5.81 | 0.16 |
| F-SSS-1442-F | 275 | 13.25 | 40.97 | 0.5 | 5.88 | 0.16 |
| F-SSS-1443-F | 294 | 13.25 | 41.97 | 0.5 | 6.02 | 0.16 |
| F-SSS-1444-F | 294 | 13.25 | 42.97 | 0.5 | 6.16 | 0.16 |
| F-SSS-1444D-F | 294 | 13.25 | 43.47 | 0.5 | 6.23 | 0.17 |
| F-SSS-1445-F | 294 | 13.25 | 43.97 | 0.5 | 6.3 | 0.17 |
| F-SSS-1448-F | 308 | 13.25 | 46.97 | 0.5 | 6.72 | 0.18 |
| F-SSS-1454-F | 346 | 13.25 | 52.97 | 0.5 | 7.56 | 0.2 |
| F-SSS-1460-F | 383 | 13.25 | 58.97 | 0.5 | 8.4 | 0.23 |
| F-SSS-1466-F | 421 | 13.25 | 64.97 | 0.5 | 9.24 | 0.25 |

| Code | Price | H (in.) | W (in.) | D 1 (in.) | Weight (lb) | Volume (ft ³) |
|---------------|-------|---------|---------|-----------|-------------|---------------------------|
| F-SSS-2024-F | 216 | 19.25 | 22.97 | 0.5 | 4.8 | 0.13 |
| F-SSS-2030-F | 263 | 19.25 | 28.97 | 0.5 | 6 | 0.16 |
| F-SSS-2034-F | 308 | 19.25 | 32.97 | 0.5 | 7.2 | 0.18 |
| F-SSS-2034D-F | 310 | 19.25 | 33.47 | 0.5 | 7.2 | 0.19 |
| F-SSS-2035-F | 308 | 19.25 | 33.97 | 0.5 | 7.2 | 0.19 |
| F-SSS-2035D-F | 308 | 19.25 | 34.47 | 0.5 | 7.2 | 0.19 |
| F-SSS-2036-F | 308 | 19.25 | 34.97 | 0.5 | 7.2 | 0.19 |
| F-SSS-2037-F | 335 | 19.25 | 35.97 | 0.5 | 7.4 | 0.2 |
| F-SSS-2037D-F | 335 | 19.25 | 36.47 | 0.5 | 7.5 | 0.2 |
| F-SSS-2038-F | 335 | 19.25 | 36.97 | 0.5 | 7.6 | 0.21 |
| F-SSS-2038D-F | 335 | 19.25 | 37.47 | 0.5 | 7.7 | 0.21 |
| F-SSS-2039-F | 335 | 19.25 | 37.97 | 0.5 | 7.8 | 0.21 |
| F-SSS-2040-F | 360 | 19.25 | 38.97 | 0.5 | 8 | 0.22 |
| F-SSS-2041-F | 360 | 19.25 | 39.97 | 0.5 | 8.2 | 0.22 |
| F-SSS-2041D-F | 360 | 19.25 | 40.47 | 0.5 | 8.3 | 0.23 |
| F-SSS-2042-F | 360 | 19.25 | 40.97 | 0.5 | 8.4 | 0.23 |
| F-SSS-2043-F | 383 | 19.25 | 41.97 | 0.5 | 8.6 | 0.23 |
| F-SSS-2044-F | 383 | 19.25 | 42.97 | 0.5 | 8.8 | 0.24 |
| F-SSS-2044D-F | 383 | 19.25 | 43.47 | 0.5 | 8.9 | 0.24 |
| F-SSS-2045-F | 383 | 19.25 | 43.97 | 0.5 | 9 | 0.24 |
| F-SSS-2048-F | 409 | 19.25 | 46.97 | 0.5 | 9.6 | 0.26 |
| F-SSS-2054-F | 456 | 19.25 | 52.97 | 0.5 | 10.8 | 0.3 |
| F-SSS-2060-F | 505 | 19.25 | 58.97 | 0.5 | 12 | 0.33 |
| F-SSS-2066-F | 549 | 19.25 | 64.97 | 0.5 | 13.2 | 0.36 |

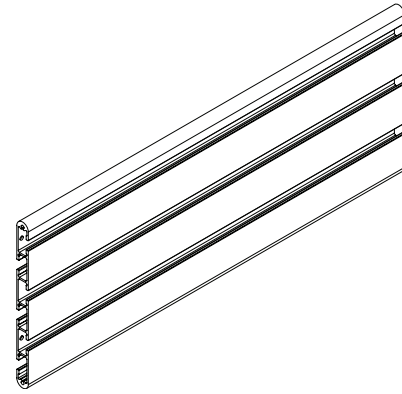


Scene Pricebook
January 2026

Screen Components

screen components

| | |
|--|-----|
| <u>accessories rail - end to end</u> | 216 |
| <u>accessories rail - end to share</u> | 218 |
| <u>post</u> | 220 |



What's Included:

Accessory rail (1).

How to Specify:

Accessory rail is 8" in height.

Refer to metal paint card for metal paint colors.

Options:

Width 24", 30", 36", 37", 38", 39", 40", 41", 42", 43", 44", 45", 46", 48", 50", 51", 52", 53", 54", 56", 57", 58", 59", 60", 63", 64", 65", 66", 68", 69", 70", 71", 72"

Accessories rail color Refer to metal paint card for metal paint colors.

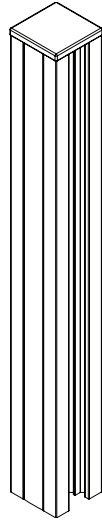
How to Order and Read your Code:

| | | | |
|--------------|------------|-----------|-----------|
| F | SEE | 08 | 57 |
| product line | item | height | width |

| Code | Price | H (in.) | W (in.) | D T (in.) | Weight (lb) | Volume (ft ³) |
|------------|-------|---------|---------|-----------|-------------|---------------------------|
| F-SEE-0824 | 136 | 7.85 | 20.44 | 0.5 | 3.84 | 0.05 |
| F-SEE-0830 | 158 | 7.85 | 26.44 | 0.5 | 4.8 | 0.06 |
| F-SEE-0836 | 181 | 7.85 | 32.44 | 0.5 | 5.76 | 0.07 |
| F-SEE-0842 | 206 | 7.85 | 38.44 | 0.5 | 6.72 | 0.09 |
| F-SEE-0844 | 220 | 7.85 | 40.44 | 0.5 | 7.04 | 0.09 |
| F-SEE-0845 | 220 | 7.85 | 41.44 | 0.5 | 7.2 | 0.09 |
| F-SEE-0846 | 230 | 7.85 | 42.44 | 0.5 | 7.36 | 0.1 |
| F-SEE-0848 | 230 | 7.85 | 44.44 | 0.5 | 7.68 | 0.1 |
| F-SEE-0850 | 243 | 7.85 | 46.44 | 0.5 | 8 | 0.11 |
| F-SEE-0851 | 243 | 7.85 | 47.44 | 0.5 | 8.16 | 0.11 |
| F-SEE-0852 | 251 | 7.85 | 48.44 | 0.5 | 8.32 | 0.11 |
| F-SEE-0853 | 251 | 7.85 | 49.44 | 0.5 | 8.48 | 0.11 |
| F-SEE-0854 | 251 | 7.85 | 50.44 | 0.5 | 8.64 | 0.11 |
| F-SEE-0856 | 265 | 7.85 | 52.44 | 0.5 | 8.96 | 0.12 |
| F-SEE-0857 | 265 | 7.85 | 53.44 | 0.5 | 9.12 | 0.12 |
| F-SEE-0858 | 278 | 7.85 | 54.44 | 0.5 | 9.28 | 0.12 |
| F-SEE-0859 | 278 | 7.85 | 55.44 | 0.5 | 9.44 | 0.13 |
| F-SEE-0860 | 278 | 7.85 | 56.44 | 0.5 | 9.6 | 0.13 |
| F-SEE-0862 | 293 | 7.85 | 58.44 | 0.5 | 9.92 | 0.13 |
| F-SEE-0863 | 293 | 7.85 | 59.44 | 0.5 | 10.08 | 0.14 |
| F-SEE-0864 | 302 | 7.85 | 60.44 | 0.5 | 10.24 | 0.14 |
| F-SEE-0865 | 302 | 7.85 | 61.44 | 0.5 | 10.4 | 0.14 |
| F-SEE-0866 | 302 | 7.85 | 62.44 | 0.5 | 10.56 | 0.14 |
| F-SEE-0868 | 303 | 7.85 | 64.44 | 0.5 | 10.88 | 0.15 |
| F-SEE-0869 | 303 | 7.85 | 65.44 | 0.5 | 11.04 | 0.15 |
| F-SEE-0870 | 312 | 7.85 | 66.44 | 0.5 | 11.2 | 0.15 |
| F-SEE-0871 | 312 | 7.85 | 67.44 | 0.5 | 11.36 | 0.15 |
| F-SEE-0872 | 312 | 7.85 | 68.44 | 0.5 | 11.52 | 0.16 |

| Code | Price | H (in.) | W (in.) | D 1 (in.) | Weight (lb) | Volume (ft ³) |
|-------------|-------|---------|---------|-----------|-------------|---------------------------|
| F-SES-0824 | 136 | 7.85 | 21.69 | 0.5 | 3.84 | 0.05 |
| F-SES-0830 | 158 | 7.85 | 27.69 | 0.5 | 4.8 | 0.06 |
| F-SES-0836 | 181 | 7.85 | 33.69 | 0.5 | 5.76 | 0.08 |
| F-SES-0837 | 194 | 7.85 | 34.69 | 0.5 | 5.92 | 0.08 |
| F-SES-0837D | 194 | 7.85 | 35.19 | 0.5 | 6 | 0.08 |
| F-SES-0838 | 194 | 7.85 | 35.69 | 0.5 | 6.08 | 0.08 |
| F-SES-0838D | 194 | 7.85 | 36.19 | 0.5 | 6.16 | 0.08 |
| F-SES-0839 | 194 | 7.85 | 36.69 | 0.5 | 6.24 | 0.08 |
| F-SES-0840 | 206 | 7.85 | 37.69 | 0.5 | 6.4 | 0.09 |
| F-SES-0841 | 206 | 7.85 | 38.69 | 0.5 | 6.56 | 0.09 |
| F-SES-0841D | 206 | 7.85 | 39.19 | 0.5 | 6.64 | 0.09 |
| F-SES-0842 | 206 | 7.85 | 39.69 | 0.5 | 6.72 | 0.09 |
| F-SES-0843 | 220 | 7.85 | 40.69 | 0.5 | 6.88 | 0.09 |
| F-SES-0844 | 220 | 7.85 | 41.69 | 0.5 | 7.04 | 0.09 |
| F-SES-0844D | 220 | 7.85 | 42.19 | 0.5 | 7.12 | 0.1 |
| F-SES-0845 | 220 | 7.85 | 42.69 | 0.5 | 7.2 | 0.1 |
| F-SES-0846 | 230 | 7.85 | 43.69 | 0.5 | 7.36 | 0.1 |
| F-SES-0848 | 230 | 7.85 | 45.69 | 0.5 | 7.68 | 0.1 |
| F-SES-0850 | 243 | 7.85 | 47.69 | 0.5 | 8 | 0.11 |
| F-SES-0851 | 243 | 7.85 | 48.69 | 0.5 | 8.16 | 0.11 |
| F-SES-0852 | 251 | 7.85 | 49.69 | 0.5 | 8.32 | 0.11 |
| F-SES-0853 | 251 | 7.85 | 50.69 | 0.5 | 8.48 | 0.12 |
| F-SES-0854 | 251 | 7.85 | 51.69 | 0.5 | 8.64 | 0.12 |
| F-SES-0856 | 265 | 7.85 | 53.69 | 0.5 | 8.96 | 0.12 |
| F-SES-0857 | 265 | 7.85 | 54.69 | 0.5 | 9.12 | 0.12 |
| F-SES-0858 | 278 | 7.85 | 55.69 | 0.5 | 9.28 | 0.13 |
| F-SES-0859 | 278 | 7.85 | 56.69 | 0.5 | 9.44 | 0.13 |
| F-SES-0860 | 278 | 7.85 | 57.69 | 0.5 | 9.6 | 0.13 |
| F-SES-0862 | 293 | 7.85 | 59.69 | 0.5 | 9.92 | 0.14 |
| F-SES-0863 | 293 | 7.85 | 60.69 | 0.5 | 10.08 | 0.14 |
| F-SES-0864 | 302 | 7.85 | 61.69 | 0.5 | 10.24 | 0.14 |
| F-SES-0865 | 302 | 7.85 | 62.69 | 0.5 | 10.4 | 0.14 |
| F-SES-0866 | 302 | 7.85 | 63.69 | 0.5 | 10.56 | 0.14 |
| F-SES-0868 | 303 | 7.85 | 65.69 | 0.5 | 10.88 | 0.15 |
| F-SES-0869 | 303 | 7.85 | 66.69 | 0.5 | 11.04 | 0.15 |
| F-SES-0870 | 312 | 7.85 | 67.69 | 0.5 | 11.2 | 0.15 |
| F-SES-0871 | 312 | 7.85 | 68.69 | 0.5 | 11.36 | 0.16 |
| F-SES-0872 | 312 | 7.85 | 69.69 | 0.5 | 11.52 | 0.16 |

| Code | Price | H (in.) | W (in.) | D 1 (in.) | Weight (lb) | Volume (ft ³) |
|-------------|-------|---------|---------|-----------|-------------|---------------------------|
| F-SSS-0824 | 136 | 7.85 | 22.97 | 0.5 | 3.84 | 0.05 |
| F-SSS-0830 | 158 | 7.85 | 28.97 | 0.5 | 4.8 | 0.07 |
| F-SSS-0836 | 181 | 7.85 | 34.97 | 0.5 | 5.76 | 0.08 |
| F-SSS-0837 | 194 | 7.85 | 35.97 | 0.5 | 5.92 | 0.08 |
| F-SSS-0837D | 194 | 7.85 | 36.47 | 0.5 | 6 | 0.08 |
| F-SSS-0838 | 194 | 7.85 | 36.97 | 0.5 | 6.08 | 0.08 |
| F-SSS-0838D | 194 | 7.85 | 37.47 | 0.5 | 6.16 | 0.09 |
| F-SSS-0839 | 194 | 7.85 | 37.97 | 0.5 | 6.24 | 0.09 |
| F-SSS-0840 | 206 | 7.85 | 38.97 | 0.5 | 6.4 | 0.09 |
| F-SSS-0841 | 206 | 7.85 | 39.97 | 0.5 | 6.56 | 0.09 |
| F-SSS-0841D | 206 | 7.85 | 40.47 | 0.5 | 6.64 | 0.09 |
| F-SSS-0842 | 206 | 7.85 | 40.97 | 0.5 | 6.72 | 0.09 |
| F-SSS-0843 | 220 | 7.85 | 41.97 | 0.5 | 6.88 | 0.1 |
| F-SSS-0844 | 220 | 7.85 | 42.97 | 0.5 | 7.04 | 0.1 |
| F-SSS-0844D | 220 | 7.85 | 43.47 | 0.5 | 7.12 | 0.1 |
| F-SSS-0845 | 220 | 7.85 | 43.97 | 0.5 | 7.2 | 0.1 |
| F-SSS-0848 | 230 | 7.85 | 46.97 | 0.5 | 7.68 | 0.11 |
| F-SSS-0854 | 251 | 7.85 | 52.97 | 0.5 | 8.64 | 0.12 |
| F-SSS-0860 | 278 | 7.85 | 58.97 | 0.5 | 9.6 | 0.13 |
| F-SSS-0866 | 302 | 7.85 | 64.97 | 0.5 | 10.56 | 0.15 |
| F-SSS-0872 | 312 | 7.85 | 70.97 | 0.5 | 11.52 | 0.16 |



What's Included:

Screen post (1), a top cap (1) and three channel inserts (3).

How to Specify:

Available in 14" & 20" heights.

Screen post is finished in silver, white or black powder coat.

Options:

Width 14", 20"

Post color **P112** silver **P121** white **P114** black

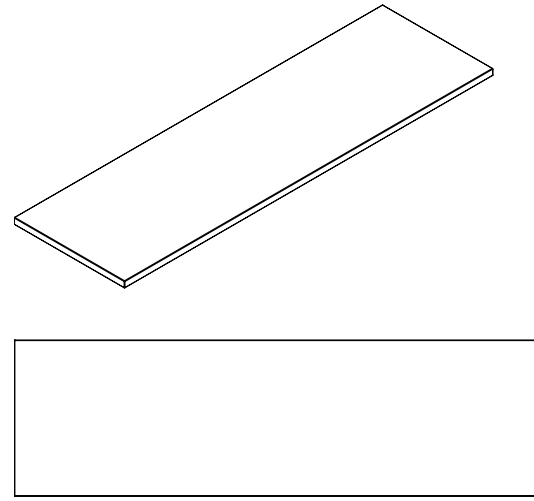
| Code | Price | H (in.) | W (in.) | D 1 (in.) | Weight (lb) | Volume (ft ³) |
|---------|-------|---------|---------|-----------|-------------|---------------------------|
| F-PS-14 | 86 | 13.5 | 1.54 | 1.54 | 1 | 0.02 |
| F-PS-20 | 98 | 19.5 | 1.54 | 1.54 | 1.85 | 0.03 |



Scene Pricebook
January 2026
Supports

supports

| | |
|-----------------------------|-----|
| <u>spacer</u> | 224 |
| <u>end gable</u> | 226 |
| <u>flag storage gable</u> | 227 |
| <u>center gable</u> | 228 |
| <u>single support leg</u> | 229 |
| <u>low credenza support</u> | 230 |
| <u>mending plate</u> | 231 |



What's Included:

Spacer (1).

How to Specify:

Edge color will default to match the surface color of the worksurface unless otherwise specified.

Notes:

Spacer is 1-inch thick.

All spacers have 2mm vinyl edge trim.

Low pressure laminate is available on the top surface of a spacer

Options:

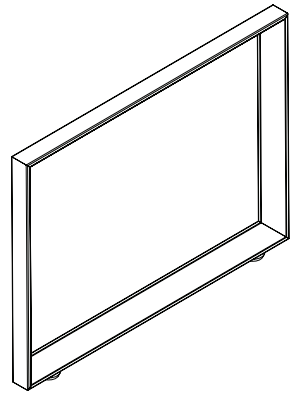
Width 12", 18", 24", 30", 36", 42", 48", 54", 60", 66", 72", 78", 84", 90", 96"

Depth 18"

How to Order and Read your Code:

F **SS** **60**
 product line item width

| Code | Price | H (in.) | W (in.) | D 1 (in.) | Weight (lb) | Volume (ft ³) |
|-----------|-------|---------|---------|-----------|-------------|---------------------------|
| F-SS-1218 | 66 | 1 | 12 | 18 | 4.32 | 0.13 |
| F-SS-1818 | 92 | 1 | 18 | 18 | 6.48 | 0.19 |
| F-SS-2418 | 114 | 1 | 24 | 18 | 8.64 | 0.25 |
| F-SS-3018 | 136 | 1 | 30 | 18 | 10.8 | 0.31 |
| F-SS-3618 | 160 | 1 | 36 | 18 | 12.96 | 0.38 |
| F-SS-4218 | 183 | 1 | 42 | 18 | 15.12 | 0.44 |
| F-SS-4818 | 206 | 1 | 48 | 18 | 17.28 | 0.5 |
| F-SS-5418 | 233 | 1 | 54 | 18 | 19.44 | 0.56 |
| F-SS-6018 | 251 | 1 | 60 | 18 | 21.6 | 0.63 |
| F-SS-6618 | 278 | 1 | 66 | 18 | 23.76 | 0.69 |
| F-SS-7218 | 302 | 1 | 72 | 18 | 25.92 | 0.75 |
| F-SS-7818 | 326 | 1 | 78 | 18 | 28.08 | 0.81 |
| F-SS-8418 | 349 | 1 | 84 | 18 | 30.24 | 0.88 |
| F-SS-9018 | 374 | 1 | 90 | 18 | 32.4 | 0.94 |
| F-SS-9618 | 398 | 1 | 96 | 18 | 34.56 | 1 |



What's Included:

End gable (1) and two levelers (2).

How to Specify:

Specify the width of the end gable to be the same as the depth of the worksurface being supported.

Refer to metal paint card for metal paint colors..

Options:

Width 24", 30", 36", 42", 48", 60"

Gable color Refer to metal paint card for metal paint colors.

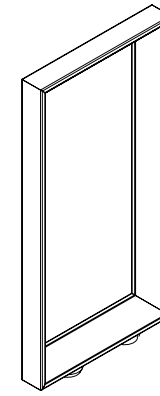
Notes:

Used at the end of a worksurface run for support.

Two levelers with a leveling range of 2.5-inches are included.

Supports a worksurface at a height of 28".

| Code | Price | H (in.) | W (in.) | D 1 (in.) | Weight (lb) | Volume (ft ³) |
|-------------|-------|---------|---------|-----------|-------------|---------------------------|
| F-HOEG-2824 | 361 | 27.28 | 23.43 | 1.53 | 13.44 | 0.57 |
| F-HOEG-2830 | 396 | 27.28 | 29.53 | 1.53 | 16.8 | 0.71 |
| F-HOEG-2836 | 427 | 27.28 | 35.43 | 1.53 | 20.16 | 0.86 |
| F-HOEG-2842 | 472 | 27.28 | 41.54 | 1.53 | 23.52 | 1 |
| F-HOEG-2848 | 513 | 27.28 | 47.64 | 1.53 | 26.88 | 1.15 |
| F-HOEG-2860 | 570 | 27.28 | 59.45 | 1.53 | 33.6 | 1.44 |



What's Included:

End gable (1) and two levelers (2).

How to Specify:

Refer to metal paint card for metal paint colors.

Options:

Leg Color Refer to metal paint card for metal paint colors.

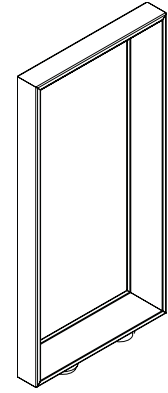
Notes:

Used at the end of a flag storage for support of the flag storage cabinet.

Two levelers with a leveling range of 2.5-inches are included.

Supports a flag storage at a height of 29".

| Code | Price | H (in.) | W (in.) | D 1 (in.) | Weight (lb) | Volume (ft ³) |
|-------------|-------|---------|---------|-----------|-------------|---------------------------|
| F-HFSS-2914 | 310 | 28.27 | 13.58 | 1.53 | 7.84 | 0.34 |



What's Included:

Center gable (1) and two levelers (2).

How to Specify:

Specify the width of the center gable to be the same as the depth of the worksurface being supported.

Refer to metal paint card for metal paint colors..

Options:

Width 12", 24", 30", 36", 48", 60"

Leg Color Refer to metal paint card for metal paint colors.

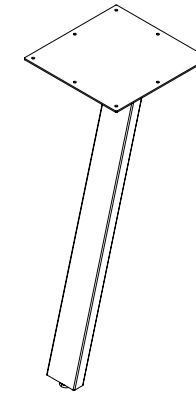
Notes:

Used as a shared support for worksurfaces in the middle of a worksurface run.

Two levelers with a leveling range of 2.5-inches are included.

Supports a worksurface at a height of 28".

| Code | Price | H (in.) | W (in.) | D 1 (in.) | Weight (lb) | Volume (ft ³) |
|-------------|-------|---------|---------|-----------|-------------|---------------------------|
| F-HOCG-2812 | 267 | 27.28 | 11.61 | 1.53 | 20.6 | 0.28 |
| F-HOCG-2824 | 295 | 27.28 | 23.42 | 1.53 | 33.6 | 0.57 |
| F-HOCG-2830 | 315 | 27.28 | 29.53 | 1.53 | 40.32 | 0.72 |
| F-HOCG-2836 | 393 | 27.28 | 35.43 | 1.53 | 46.6 | 0.86 |
| F-HOCG-2848 | 509 | 27.28 | 47.44 | 1.53 | 55 | 1 |



What's Included:

Single support leg (1), a leveler (1) and fastners.

How to Specify:

Refer to metal paint card for metal paint colors.

Options:

Leg Color Refer to metal paint card for metal paint colors.

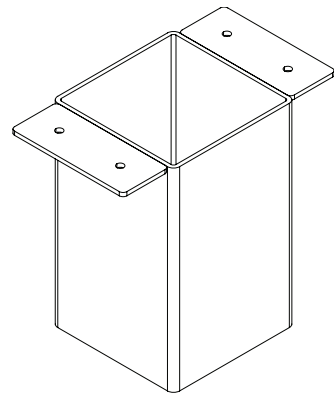
Notes:

Used to support one end of a worksurfaces where the other end is supported by a high credenza or end gable.

One levelers with a leveling range of 2.5-inches are included.

Supports a worksurface at a height of 28"

| Code | Price | H (in.) | W (in.) | D 1 (in.) | Weight (lb) | Volume (ft ³) |
|-----------|-------|---------|---------|-----------|-------------|---------------------------|
| F-HSSP-28 | 324 | 27.9 | 10 | 12 | 6 | 1.94 |



What's Included:

Low credenza support (1), and fasteners (4).

How to Specify:

Refer to metal paint card for metal paint colors.

Options:

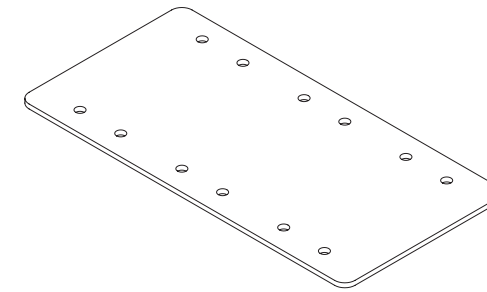
Leg Color Refer to metal paint card for metal paint colors.

Notes:

Mounted directly to the underside of the worksurface.

Supports a worksurface at a height of 28".

| Code | Price | H (in.) | W (in.) | D 1 (in.) | Weight (lb) | Volume (ft ³) |
|--------|-------|---------|---------|-----------|-------------|---------------------------|
| F-HCFM | 206 | 6.38 | 7 | 4 | 6 | 0.1 |



What's Included:

Mending plate (1)

How to Specify:

Mending plate is finished in silver powder coat.

Options:

Leg Color **P112** silver

Notes:

Mounted directly to the underside of two worksurface.

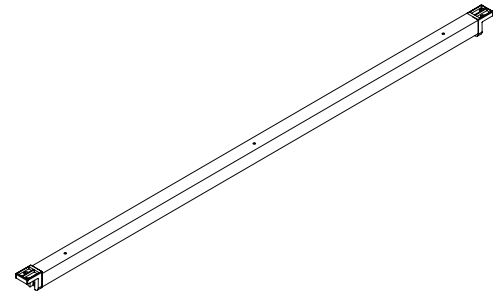
| Code | Price | H (in.) | W (in.) | D 1 (in.) | Weight (lb) | Volume (ft ³) |
|-------|-------|---------|---------|-----------|-------------|---------------------------|
| F-PWW | 49 | 5.5 | 3 | 0.13 | 1 | 0.01 |



Scene Pricebook
January 2026
**Reinforcement
Bars**

reinforcement bars

| | |
|------------------------------|-----|
| <u>end to end</u> | 234 |
| <u>end to share</u> | 236 |
| <u>share to share</u> | 238 |
| <u>end to no connector</u> | 240 |
| <u>share to no connector</u> | 242 |
| <u>no connector</u> | 244 |



What's Included:

Reinforcement bar (1), two end brackets (2) and fasteners (2).

How to Specify:

Length of the reinforcement bar is referred to as the width to correspond to the worksurface.

Specify the width of the reinforcement bar to be the same as the width of worksurface being supported.

Refer to metal paint card for metal paint colors.

Notes:

Mounted directly to an end gable.

Options:

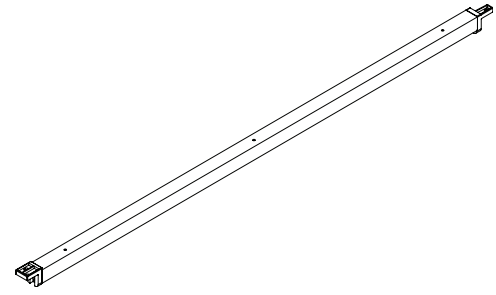
Width 36", 42", 48", 54", 60", 66", 72", 78", 84", 90", 96"

Color Refer to metal paint card for metal paint colors.

How to Order and Read your Code:

F **HRB-EE** **72**
product line item width

| Code | Price | H (in.) | W (in.) | D 1 (in.) | Weight (lb) | Volume (ft ³) |
|-------------|-------|---------|---------|-----------|-------------|---------------------------|
| F-HRB-EE-36 | 229 | 2.44 | 33.79 | 1.57 | 7.2 | 0.06 |
| F-HRB-EE-42 | 242 | 2.44 | 39.79 | 1.57 | 8.4 | 0.07 |
| F-HRB-EE-48 | 251 | 2.44 | 45.79 | 1.57 | 9.6 | 0.08 |
| F-HRB-EE-54 | 267 | 2.44 | 51.79 | 1.57 | 10.8 | 0.09 |
| F-HRB-EE-60 | 278 | 2.44 | 57.79 | 1.57 | 12 | 0.11 |
| F-HRB-EE-66 | 294 | 2.44 | 63.79 | 1.57 | 13.2 | 0.12 |
| F-HRB-EE-72 | 304 | 2.44 | 69.79 | 1.57 | 14.4 | 0.13 |
| F-HRB-EE-78 | 319 | 2.44 | 75.79 | 1.57 | 15.6 | 0.14 |
| F-HRB-EE-84 | 334 | 2.44 | 81.79 | 1.57 | 16.8 | 0.15 |
| F-HRB-EE-90 | 344 | 2.44 | 87.79 | 1.57 | 18 | 0.16 |
| F-HRB-EE-96 | 360 | 2.44 | 93.79 | 1.57 | 19.2 | 0.17 |



What's Included:

Reinforcement bar (1), one end bracket (1), one share bracket (1) and fasteners (2).

How to Specify:

Length of the reinforcement bar is referred to as the width to correspond to the worksurface.

Specify the width of the reinforcement bar to be the same as the width of worksurface being supported.

Refer to metal paint card for metal paint colors.

Options:

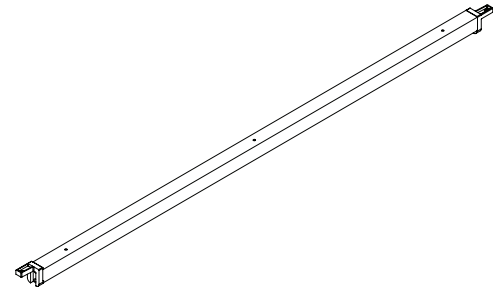
Width 36", 42", 48", 54", 60", 66", 72", 78", 84", 90", 96"

Color Refer to metal paint card for metal paint colors.

Notes:

Mounted directly to an end gable and a center gable.

| Code | Price | H (in.) | W (in.) | D 1 (in.) | Weight (lb) | Volume (ft ³) |
|-------------|-------|---------|---------|-----------|-------------|---------------------------|
| F-HRB-ES-36 | 233 | 2.44 | 35.35 | 1.57 | 7.2 | 0.06 |
| F-HRB-ES-42 | 244 | 2.44 | 41.35 | 1.57 | 8.4 | 0.08 |
| F-HRB-ES-48 | 253 | 2.44 | 47.35 | 1.57 | 9.6 | 0.09 |
| F-HRB-ES-54 | 270 | 2.44 | 53.35 | 1.57 | 10.8 | 0.1 |
| F-HRB-ES-60 | 280 | 2.44 | 59.35 | 1.57 | 12 | 0.11 |
| F-HRB-ES-66 | 296 | 2.44 | 65.35 | 1.57 | 13.2 | 0.12 |
| F-HRB-ES-72 | 308 | 2.44 | 71.35 | 1.57 | 14.4 | 0.13 |
| F-HRB-ES-78 | 322 | 2.44 | 77.35 | 1.57 | 15.6 | 0.14 |
| F-HRB-ES-84 | 336 | 2.44 | 83.35 | 1.57 | 16.8 | 0.15 |
| F-HRB-ES-90 | 348 | 2.44 | 89.35 | 1.57 | 18 | 0.16 |
| F-HRB-ES-96 | 361 | 2.44 | 95.35 | 1.57 | 19.2 | 0.17 |



What's Included:

Reinforcement bar (1), two share brackets (2) and fasteners (2).

How to Specify:

Length of the reinforcement bar is referred to as the width to correspond to the worksurface.

Specify the width of the reinforcement bar to be the same as the width of worksurface being supported.

Refer to metal paint card for metal paint colors.

Notes:

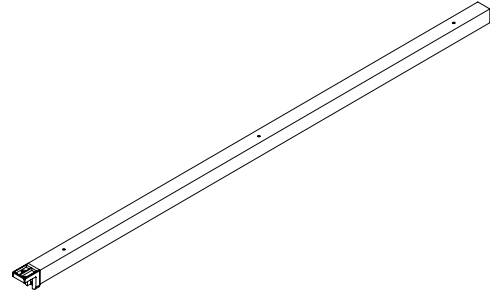
Mounted directly to two center gables.

Options:

Width 36", 42", 48", 54", 60", 66", 72", 78", 84", 90", 96"

Color Refer to metal paint card for metal paint colors.

| Code | Price | H (in.) | W (in.) | D 1 (in.) | Weight (lb) | Volume (ft ³) |
|-------------|-------|---------|---------|-----------|-------------|---------------------------|
| F-HRB-SS-36 | 237 | 2.44 | 36.91 | 1.57 | 7.2 | 0.07 |
| F-HRB-SS-42 | 246 | 2.44 | 42.91 | 1.57 | 8.4 | 0.08 |
| F-HRB-SS-48 | 262 | 2.44 | 48.91 | 1.57 | 9.6 | 0.09 |
| F-HRB-SS-54 | 275 | 2.44 | 54.91 | 1.57 | 10.8 | 0.1 |
| F-HRB-SS-60 | 287 | 2.44 | 60.91 | 1.57 | 12 | 0.11 |
| F-HRB-SS-66 | 301 | 2.44 | 66.91 | 1.57 | 13.2 | 0.12 |
| F-HRB-SS-72 | 313 | 2.44 | 72.91 | 1.57 | 14.4 | 0.13 |
| F-HRB-SS-78 | 326 | 2.44 | 78.91 | 1.57 | 15.6 | 0.14 |
| F-HRB-SS-84 | 339 | 2.44 | 84.91 | 1.57 | 16.8 | 0.15 |
| F-HRB-SS-90 | 349 | 2.44 | 90.91 | 1.57 | 18 | 0.17 |
| F-HRB-SS-96 | 363 | 2.44 | 96.91 | 1.57 | 19.2 | 0.18 |



What's Included:

Reinforcement bar (1), one end bracket (1), one end cap (1) and fasteners (2).

How to Specify:

Length of the reinforcement bar is referred to as the width to correspond to the worksurface.

Specify the width of the reinforcement bar to be the same as the width of worksurface being supported.

Refer to metal paint card for metal paint colors.

Options:

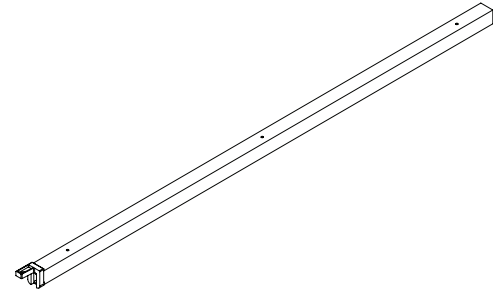
Width 24", 30", 36", 42", 48", 54", 60", 66", 72", 78", 84", 90", 96"

Color Refer to metal paint card for metal paint colors.

Notes:

Mounted directly to an end gable.

| Code | Price | H (in.) | W (in.) | D 1 (in.) | Weight (lb) | Volume (ft ³) |
|-------------|-------|---------|---------|-----------|-------------|---------------------------|
| F-HRB-EN-24 | 122 | 2.44 | 24 | 1.57 | 4.8 | 0.05 |
| F-HRB-EN-30 | 133 | 2.44 | 30 | 1.57 | 6 | 0.06 |
| F-HRB-EN-36 | 146 | 2.44 | 36 | 1.57 | 7.2 | 0.07 |
| F-HRB-EN-42 | 160 | 2.44 | 42 | 1.57 | 8.4 | 0.08 |
| F-HRB-EN-48 | 173 | 2.44 | 48 | 1.57 | 9.6 | 0.09 |
| F-HRB-EN-54 | 183 | 2.44 | 54 | 1.57 | 10.8 | 0.1 |
| F-HRB-EN-60 | 198 | 2.44 | 60 | 1.57 | 12 | 0.11 |
| F-HRB-EN-66 | 213 | 2.44 | 66 | 1.57 | 13.2 | 0.12 |
| F-HRB-EN-72 | 225 | 2.44 | 72 | 1.57 | 14.4 | 0.13 |
| F-HRB-EN-78 | 238 | 2.44 | 78 | 1.57 | 15.6 | 0.14 |
| F-HRB-EN-84 | 249 | 2.44 | 84 | 1.57 | 16.8 | 0.15 |
| F-HRB-EN-90 | 264 | 2.44 | 90 | 1.57 | 18 | 0.17 |
| F-HRB-EN-96 | 276 | 2.44 | 96 | 1.57 | 19.2 | 0.18 |



What's Included:

Reinforcement bar (1), one share bracket (1), one end cap (1) and fasteners (2).

How to Specify:

Length of the reinforcement bar is referred to as the width to correspond to the worksurface.

Specify the width of the reinforcement bar to be the same as the width of worksurface being supported.

Refer to metal paint card for metal paint colors..

Options:

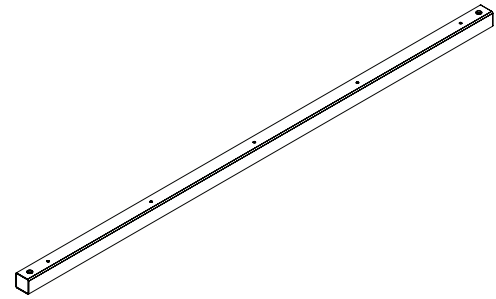
Width 36", 42", 48", 54", 60", 66", 72", 78", 84", 90", 96"

Color Refer to metal paint card for metal paint colors.

Notes:

Mounted directly to a center gable.

| Code | Price | H (in.) | W (in.) | D 1 (in.) | Weight (lb) | Volume (ft ³) |
|-------------|-------|---------|---------|-----------|-------------|---------------------------|
| F-HRB-SN-36 | 146 | 2.44 | 36.91 | 1.57 | 7.2 | 0.07 |
| F-HRB-SN-42 | 160 | 2.44 | 42.91 | 1.57 | 8.4 | 0.08 |
| F-HRB-SN-48 | 173 | 2.44 | 48.91 | 1.57 | 9.6 | 0.09 |
| F-HRB-SN-54 | 183 | 2.44 | 54.91 | 1.57 | 10.8 | 0.1 |
| F-HRB-SN-60 | 198 | 2.44 | 60.91 | 1.57 | 12 | 0.11 |
| F-HRB-SN-66 | 213 | 2.44 | 66.91 | 1.57 | 13.2 | 0.12 |
| F-HRB-SN-72 | 225 | 2.44 | 72.91 | 1.57 | 14.4 | 0.13 |
| F-HRB-SN-78 | 238 | 2.44 | 78.91 | 1.57 | 15.6 | 0.14 |
| F-HRB-SN-84 | 249 | 2.44 | 84.91 | 1.57 | 16.8 | 0.15 |
| F-HRB-SN-90 | 264 | 2.44 | 90.91 | 1.57 | 18 | 0.17 |
| F-HRB-SN-96 | 276 | 2.44 | 96.91 | 1.57 | 19.2 | 0.18 |



What's Included:

Reinforcement bar (1), two end caps (2) and fasteners (2).

How to Specify:

Length of the reinforcement bar is referred to as the width to correspond to the worksurface.

Specify the width of the reinforcement bar to be the same as the width of worksurface being supported.

Refer to metal paint card for metal paint colors..

Options:

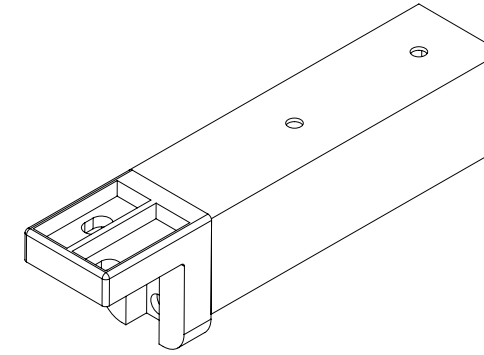
Width 48", 54", 60", 66", 72"

Color Refer to metal paint card for metal paint colors.

Notes:

Mounted directly to a worksurface.

| Code | Price | H (in.) | W (in.) | D 1 (in.) | Weight (lb) | Volume (ft ³) |
|-------------|-------|---------|---------|-----------|-------------|---------------------------|
| F-HRB-NN-48 | 104 | 2.44 | 48 | 1.57 | 9.6 | 0.09 |
| F-HRB-NN-54 | 120 | 2.44 | 54 | 1.57 | 10.8 | 0.1 |
| F-HRB-NN-60 | 132 | 2.44 | 60 | 1.57 | 12 | 0.11 |
| F-HRB-NN-66 | 145 | 2.44 | 66 | 1.57 | 13.2 | 0.12 |
| F-HRB-NN-72 | 158 | 2.44 | 72 | 1.57 | 14.4 | 0.13 |



What's Included:

Short reinforcement bar (1), one end bracket (1), one end cap (1) and fasteners (2).

How to Specify:

Refer to metal paint card for metal paint colors.

Notes:

Mounted directly to a flag storage gable.

Options:

Color Refer to metal paint card for metal paint colors.

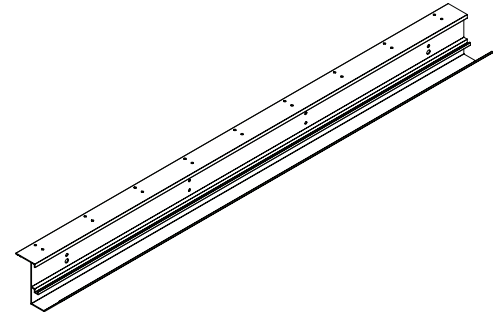
| Code | Price | H (in.) | W (in.) | D 1 (in.) | Weight (lb) | Volume (ft ³) |
|----------|-------|---------|---------|-----------|-------------|---------------------------|
| F-HRB-SB | 122 | 1.5 | 7.51 | 1.5 | 1.81 | 0.01 |



Scene Pricebook
January 2026
Electrics

electrics

| | |
|---|-----|
| <u>wire management trough</u> | 248 |
| <u>trough mounted power box</u> | 250 |
| <u>electrical splitter harness</u> | 252 |
| <u>connector harness (female to female)</u> | 254 |
| <u>connector harness (female to female) continued</u> | 256 |
| <u>connector harness (female to male)</u> | 257 |
| <u>power pole</u> | 258 |
| <u>power pole bracket</u> | 259 |
| <u>under worksurface mounted wire manager</u> | 260 |
| <u>task light</u> | 261 |
| <u>pop-up grommet</u> | 262 |



What's Included:

Wire management trough (1), and fasteners (2).

How to Specify:

Length of the wire management trough is referred to as the width to correspond to the worksurface.

Specify the width of the wire management trough to the same or less than the width of the worksurface.

Available in the same nominal widths as the worksurface, but is actually shorter to accommodate worksurface supports.

Notes:

Wire management trough is 4.375-inches high and 5.375-inches deep.

Trough mounted power and/or communication box can be mounted to the wire management trough when power and/or communication access is required below the worksurface.

Facilitates lay-in cable management below the worksurface.

Options:

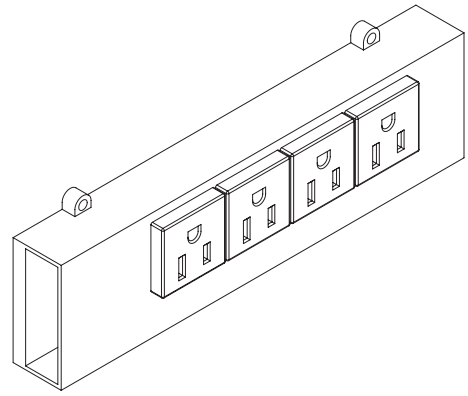
Width 36", 42", 48", 54", 60", 66", 72", 78", 84", 90", 96"

Leg color Refer to metal paint card for metal paint colors.

How to Order and Read your Code:

F **EWHT** **36**
product line item width

| Code | Price | H (in.) | W (in.) | D 1 (in.) | Weight (lb) | Volume (ft ³) |
|-----------|-------|---------|---------|-----------|-------------|---------------------------|
| F-EWHT-36 | 141 | 4.41 | 28 | 5.38 | 3.6 | 0.38 |
| F-EWHT-42 | 156 | 4.41 | 34 | 5.38 | 4.2 | 0.46 |
| F-EWHT-48 | 173 | 4.41 | 40 | 5.38 | 4.8 | 0.54 |
| F-EWHT-54 | 187 | 4.41 | 46 | 5.38 | 5.4 | 0.63 |
| F-EWHT-60 | 204 | 4.41 | 52 | 5.38 | 6 | 0.71 |
| F-EWHT-66 | 223 | 4.41 | 58 | 5.38 | 6.6 | 0.79 |
| F-EWHT-72 | 239 | 4.41 | 64 | 5.38 | 7.2 | 0.87 |
| F-EWHT-78 | 253 | 4.41 | 70 | 5.38 | 7.8 | 0.95 |
| F-EWHT-84 | 275 | 4.41 | 76 | 5.38 | 8.4 | 1.03 |
| F-EWHT-90 | 293 | 4.41 | 82 | 5.38 | 9 | 1.12 |
| F-EWHT-96 | 307 | 4.41 | 88 | 5.38 | 9.6 | 1.2 |



What's Included:

Trough mounted power box (1), and removable fasteners (2).

How to Specify:

Specify electrical harnesses separately.
Available in grey plastic only.

Options:

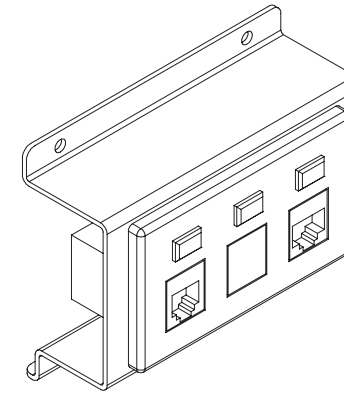
output national code

Notes:

Mounted to the worksurface wire management trough when power access is required below the worksurface.

Equipped with an 8-wire, 4-circuit electrical configuration (four electrical receptacles).

| Code | Price | H (in.) | W (in.) | D 1 (in.) | Weight (lb) | Volume (ft ³) |
|----------|-------|---------|---------|-----------|-------------|---------------------------|
| F-EM84-T | 233 | 2.88 | 8.38 | 1.25 | 0.6 | 0.02 |



What's Included:

Trough mounted data box (1), and removable fasteners (2).

How to Specify:

Specify communication cables separately.
Refer to metal paint card for metal paint colors.
Interface with communication receptacles is grey only.

Notes:

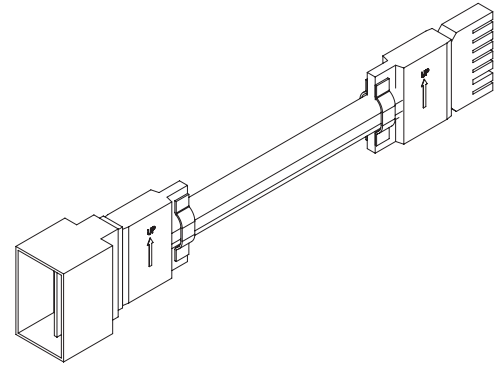
Mounted to the worksurface wire management trough when communication access is required below the worksurface.

Equipped with one RJ11 outlet, one RJ45 outlet, and a spare opening.

Options:

Output 11/45 **K3** 11/11/45 **K6** 11/45/45
Data box color Refer to metal paint card for metal paint colors.

| Code | Price | H (in.) | W (in.) | D 1 (in.) | Weight (lb) | Volume (ft ³) |
|-----------|-------|---------|---------|-----------|-------------|---------------------------|
| F-EC-T | 235 | 2.88 | 3.75 | 1.5 | 0.6 | 0.02 |
| F-EC-T-K3 | 334 | 2.88 | 3.75 | 1.5 | 0.6 | 0.02 |
| F-EC-T-K6 | 262 | 2.88 | 3.75 | 1.5 | 0.6 | 0.02 |



What's Included:

Electrical splitter harness (1).

How to Specify:

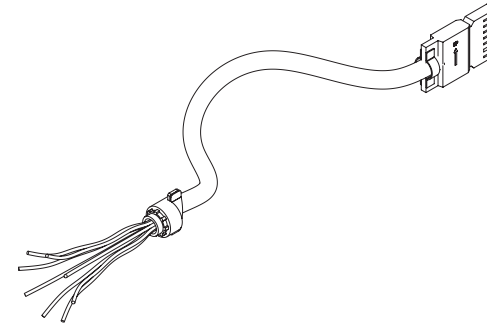
Refer to local codes for limits or restrictions on harness length.

Notes:

A qualified electrician must perform the connection to the building power supply.

Equipped with one male end that fits into the female end of a power box while the other end has two female ends..

| Code | Price | W (in.) | Weight (lb) | Volume (ft ³) |
|-----------|-------|---------|-------------|---------------------------|
| F-EX84-12 | 147 | 12 | 0.9 | 0.5 |



What's Included:

Electrical starter harness (1).

How to Specify:

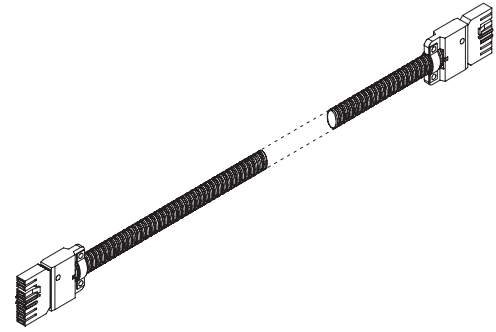
Refer to local codes for limits or restrictions on harness length.

Notes:

A qualified electrician must perform the connection to the building power supply.

Equipped with one male end that fits into the female end of a power box while the other end is meant to be hard wired to a building's power supply.

| Code | Price | W (in.) | Weight (lb) | Volume (ft ³) |
|------------|-------|---------|-------------|---------------------------|
| F-ES84-072 | 387 | 72 | 2.48 | 2.96 |
| F-ES84-168 | 659 | 168 | 5.12 | 4.59 |



What's Included:

Connector harness (1).

How to Specify:

Refer to local codes for limits or restrictions on harness length.

Options:

Width 22", 25", 28", 31", 34", 37", 40", 43", 46", 49", 52", 55", 58", 61", 64", 67", 70", 73", 76", 79", 82", 85", 88", 91", 94", 97", 100", 103", 106", 109", 112", 115", 118", 121", 124", 127", 130", 133", 136", 139", 142", 145", 148", 151", 154", 157", 160", 163", 166", 169", 172", 175", 178", 181"

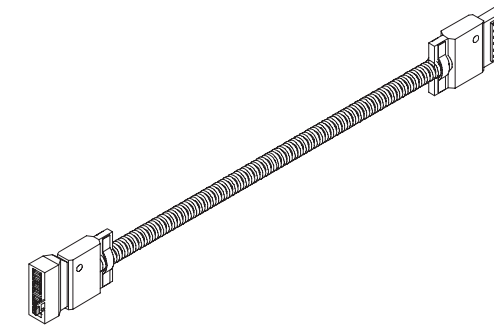
Notes:

A qualified electrician must perform the connection to the building power supply.

Equipped with two female ends.

| Code | Price | W (in.) | Weight (lb) | Volume (ft ³) |
|----------|-------|---------|-------------|---------------------------|
| F-EH-22 | 225 | 22 | 0.7 | 0 |
| F-EH-25 | 233 | 25 | 0.8 | 0 |
| F-EH-28 | 239 | 28 | 0.9 | 0 |
| F-EH-31 | 246 | 31 | 1 | 0 |
| F-EH-34 | 251 | 34 | 1.1 | 0 |
| F-EH-37 | 265 | 37 | 1.2 | 0 |
| F-EH-40 | 274 | 40 | 1.3 | 0 |
| F-EH-43 | 279 | 43 | 1.4 | 0 |
| F-EH-46 | 293 | 46 | 1.5 | 0 |
| F-EH-49 | 298 | 49 | 1.6 | 0 |
| F-EH-52 | 307 | 52 | 1.7 | 0 |
| F-EH-55 | 313 | 55 | 1.8 | 0 |
| F-EH-58 | 322 | 58 | 1.9 | 0 |
| F-EH-61 | 334 | 61 | 2 | 0 |
| F-EH-64 | 339 | 64 | 2.1 | 0 |
| F-EH-67 | 344 | 67 | 2.2 | 0 |
| F-EH-70 | 360 | 70 | 2.3 | 0 |
| F-EH-73 | 363 | 73 | 2.4 | 0 |
| F-EH-76 | 370 | 76 | 2.5 | 0 |
| F-EH-79 | 383 | 79 | 2.6 | 0 |
| F-EH-82 | 387 | 82 | 2.7 | 0 |
| F-EH-85 | 397 | 85 | 2.8 | 0 |
| F-EH-88 | 410 | 88 | 2.9 | 0 |
| F-EH-91 | 416 | 91 | 3 | 0 |
| F-EH-94 | 423 | 94 | 3.1 | 0 |
| F-EH-97 | 434 | 97 | 3.2 | 0 |
| F-EH-100 | 439 | 100 | 3.3 | 0 |

| Code | Price | W (in.) | Weight (lb) | Volume (ft ³) |
|----------|-------|---------|-------------|---------------------------|
| F-EH-103 | 450 | 103 | 3.4 | 0 |
| F-EH-106 | 459 | 106 | 3.5 | 0 |
| F-EH-109 | 465 | 109 | 3.5 | 0 |
| F-EH-112 | 476 | 112 | 3.7 | 0 |
| F-EH-115 | 482 | 115 | 3.8 | 0 |
| F-EH-118 | 487 | 118 | 3.9 | 0 |
| F-EH-121 | 499 | 121 | 4 | 0 |
| F-EH-124 | 509 | 124 | 4.1 | 0 |
| F-EH-127 | 516 | 127 | 4.2 | 0 |
| F-EH-130 | 521 | 130 | 4.3 | 0 |
| F-EH-133 | 531 | 133 | 4.4 | 0 |
| F-EH-136 | 541 | 136 | 4.5 | 0 |
| F-EH-139 | 548 | 139 | 4.6 | 0 |
| F-EH-142 | 556 | 142 | 4.7 | 0 |
| F-EH-145 | 731 | 145 | 4.8 | 0 |
| F-EH-148 | 742 | 148 | 4.9 | 0 |
| F-EH-151 | 751 | 151 | 5 | 0 |
| F-EH-154 | 756 | 154 | 5.1 | 0 |
| F-EH-157 | 761 | 157 | 5.2 | 0 |
| F-EH-160 | 776 | 160 | 5.3 | 0 |
| F-EH-163 | 785 | 163 | 5.4 | 0 |
| F-EH-166 | 788 | 166 | 5.5 | 0 |
| F-EH-169 | 792 | 169 | 5.6 | 0 |
| F-EH-172 | 807 | 172 | 5.7 | 0 |
| F-EH-175 | 813 | 175 | 5.8 | 0 |
| F-EH-178 | 819 | 178 | 5.9 | 0 |
| F-EH-181 | 828 | 181 | 6 | 0 |



What's Included:

Connector harness (1).

How to Specify:

Refer to local codes for limits or restrictions on harness length.

Options:

Width 44", 122"

Notes:

A qualified electrician must perform the connection to the building power supply.

Equipped with one male end and one female end.

| Code | Price | W (in.) | Weight (lb) | Volume (ft ³) |
|------------|-------|---------|-------------|---------------------------|
| F-E8FM-044 | 313 | 44 | 1.5 | 1.45 |
| F-E8FM-122 | 521 | 122 | 2.5 | 2.15 |



What's Included:

Power pole back and cover (1), ceiling grommet - two halves (1), removable fasteners (9), and screw caps (2).

How to Specify:

The ceiling feed cable management column must be attach to a partition.

Back and cover finished in silver, black or white powder coat.

Ceiling grommet finished in white powder coat only.

Notes:

The power pole is 1.875-inches wide and 3.75-inches deep.

Power and communication cables are laid into separate channels of the power pole back.

Spans from the ceiling to the floor allowing power and communication cables access from the ceiling into the wire trough on a partition.

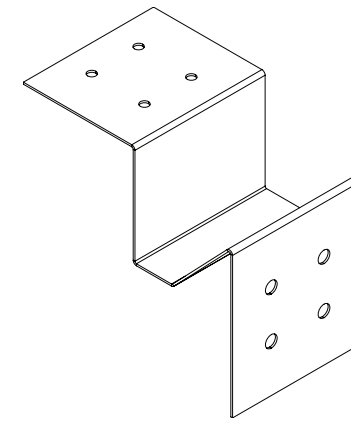
Can be stacked to span heights greater than 120-inches with stacking brackets included, however a second power pole must be specified.

Options:

Width 96", 108", 120"

Leg color **P112** silver **P121** white **P114** black

| Code | Price | H (in.) | Weight (lb) | Volume (ft ³) |
|------------|-------|---------|-------------|---------------------------|
| F-ECCC-96 | 410 | 96 | 1.54 | 0.39 |
| F-ECCC-108 | 451 | 108 | 1.73 | 0.44 |
| F-ECCC-120 | 496 | 120 | 1.92 | 0.49 |



What's Included:

Power pole bracket (2) and fasteners (8).

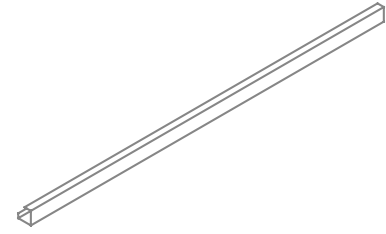
How to Specify:

Power pole bracket is finished in silver, black or white powder coat.

Notes:

The power pole bracket connects a worksurface to a power pole.

| Code | Price | H (in.) | W (in.) | D 1 (in.) | Weight (lb) | Volume (ft ³) |
|--------|-------|---------|---------|-----------|-------------|---------------------------|
| F-ECBK | 156 | 5 | 5.62 | 3.5 | 1 | 0.06 |



What's Included:

Under worksurface mounted wire manager (1).

How to Specify:

Specify the size needed.

Available in black only.

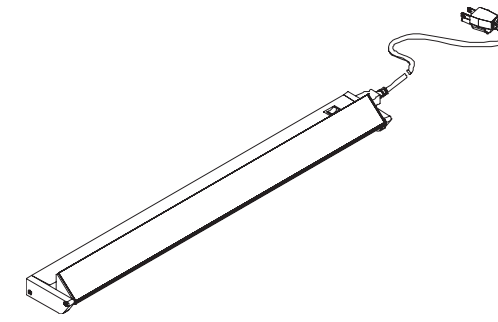
Notes:

Under worksurface wire manager attaches to the under side of the worksurface.

Options:

Size 12"W 24"W 36"W

| Code | Price | H (in.) | W (in.) | D 1 (in.) | Weight (lb) | Volume (ft ³) |
|-----------|-------|---------|---------|-----------|-------------|---------------------------|
| V-EWHB-12 | 9 | 1.5 | 12 | 1.5 | 0.2 | 0.02 |
| V-EWHB-24 | 19 | 1.5 | 24 | 1.5 | 0.4 | 0.04 |
| V-EWHB-36 | 26 | 1.5 | 36 | 1.5 | 0.6 | 0.06 |



What's Included:

Task Light (1) and installation hardware.

How to Specify:

This product is available only in silver.

Notes:

The task light can be mounted beneath an overhead cabinet or shelf to provide focused lighting within the workstation.

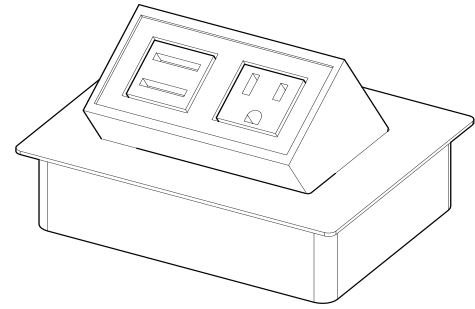
The task light cord is 9-feet long from the end of the task light.

Task lights come with built-in occupancy sensor with 30 minute delay

Options:

Width 24", 36", 48"

| Code | Price | H (in.) | W (in.) | D 1 (in.) | Weight (lb) | Volume (ft ³) |
|----------|-------|---------|---------|-----------|-------------|---------------------------|
| V-ELU-24 | 344 | 1.1 | 24 | 3.5 | 9.5 | 0.16 |
| V-ELU-36 | 387 | 1.1 | 36 | 3.5 | 13.5 | 0.27 |
| V-ELU-48 | 486 | 1.1 | 48 | 3.5 | 17.9 | 0.38 |



What's Included:

in-surface pop-up grommet with 1 power and dual USB.

How to Specify:

Available in silver, black, and white.

Notes:

120" cord length

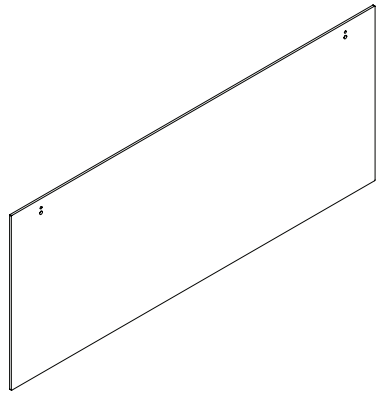
| Code | Price | W (in.) | D 1 (in.) | Color |
|-----------|-------|---------|-----------|--------|
| 8530-0168 | 772 | 5 | 3.75 | silver |
| 8530-0169 | 650 | 5 | 3.75 | black |
| 8530-0178 | 148 | 5 | 3.75 | white |



Scene Pricebook
January 2026
Accessories

accessories

| | |
|-------------------------------------|------------|
| <u>trough mounted modesty</u> | <u>266</u> |
| <u>surface mounted metal screen</u> | <u>268</u> |
| <u>accessory screen</u> | <u>269</u> |
| <u>storage cube</u> | <u>270</u> |
| <u>paper sorter</u> | <u>271</u> |
| <u>paper tray</u> | <u>272</u> |
| <u>pen holder</u> | <u>273</u> |
| <u>monitor arm</u> | <u>274</u> |
| <u>keyboard tray</u> | <u>275</u> |
| <u>pencil tray</u> | <u>276</u> |
| <u>credenza seat cushion</u> | <u>277</u> |



What's Included:

Trough mounted modesty (1), two square mounting clamp caps and removable fasteners (2-4).

How to Specify:

Specify the width of the screen to the same or less than the width of the worksurface being used for support.

Specify the width of the screen to the 18-inches or less than the width of the worksurface being used for support if a credenza is specified to support one end of the worksurface.

Available in the same nominal widths as the worksurface, but is actually shorter to accommodate worksurface supports.

Constructed of acrylic and available in frosted finish.

Notes:

Trough mounted modesty is 1/8-inch thick.

Positioned on the bottom of a worksurface with the vertical face approximately 10-inches from the visitor edge of the worksurface.

Mounting clamps with clamping screw are fastened to the mounting clamp retaining plates that are fitted into the hole sets located in two/three locations on the screen.

A top mounting flange fits into the inward facing top channel of the perpendicular reinforcement beam closest to the visitor edge of the worksurface if specified.

Options:

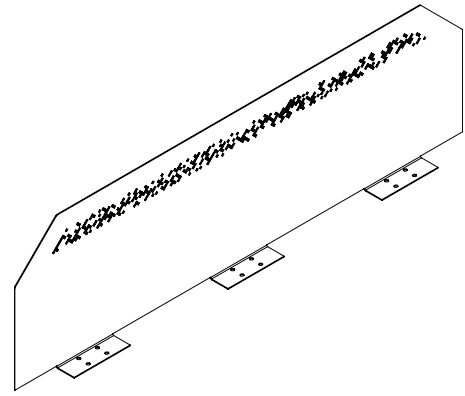
Width 28", 36", 42", 48", 54", 60", 66", 72", 78", 84", 90", 96"

Acrylic **F** frost

How to Order and Read your Code:

F **ATMM** **16** **28**
 product line item height width

| Code | Price | H (in.) | W (in.) | D 1 (in.) | Weight (lb) | Volume (ft ³) |
|---------------|-------|---------|---------|-----------|-------------|---------------------------|
| frosted | | | | | | |
| F-ATMM-1636-F | 310 | 16 | 28 | 5.38 | 6 | 1.88 |
| F-ATMM-1642-F | 355 | 16 | 34 | 5.38 | 7.2 | 2.29 |
| F-ATMM-1648-F | 403 | 16 | 40 | 5.38 | 8.4 | 2.69 |
| F-ATMM-1654-F | 450 | 16 | 46 | 5.38 | 9.6 | 3.09 |
| F-ATMM-1660-F | 491 | 16 | 52 | 5.38 | 10.8 | 3.5 |
| F-ATMM-1666-F | 541 | 16 | 58 | 5.38 | 12 | 3.9 |
| F-ATMM-1672-F | 616 | 16 | 64 | 5.38 | 13.2 | 4.3 |
| F-ATMM-1678-F | 662 | 16 | 70 | 5.38 | 14.4 | 4.71 |
| F-ATMM-1684-F | 709 | 16 | 76 | 5.38 | 15.6 | 5.11 |
| F-ATMM-1690-F | 756 | 16 | 82 | 5.38 | 16.8 | 5.52 |
| F-ATMM-1696-F | 801 | 16 | 88 | 5.38 | 18 | 5.92 |



What's Included:

Surface mounted metal screen (1) and removable fasteners (12).

How to Specify:

Available in the same nominal widths as the worksurface, but is actually shorter to accommodate worksurface supports.

Available in a variety of powder coat finish colors. Refer to the samples presented on Tayco metal finish card - accent finish.

Notes:

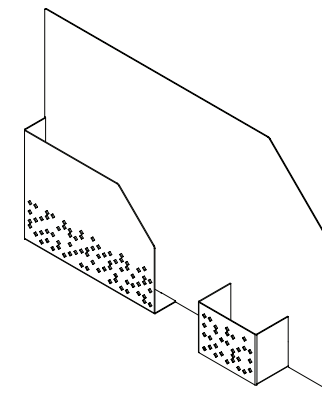
The surface mounted metal screen is placed between two worksurfaces. It can be used on a single surface as well.

Options:

Width 36", 42", 48", 54", 60", 66", 72"

Color **P121** white **P200** sunrise **P201** tropic
P202 vineyard **P203** sky **P204** meadow

| Code | Price | H (in.) | W (in.) | D 1 (in.) | Weight (lb) | Volume (ft ³) |
|-------------|-------|---------|---------|-----------|-------------|---------------------------|
| F-ASMS-1336 | 434 | 13 | 36 | 6 | 5 | 2.13 |
| F-ASMS-1342 | 506 | 13 | 42 | 6 | 5.5 | 2.48 |
| F-ASMS-1348 | 571 | 13 | 48 | 6 | 6 | 2.83 |
| F-ASMS-1354 | 615 | 13 | 54 | 6 | 6.5 | 3.19 |
| F-ASMS-1360 | 712 | 13 | 60 | 6 | 7 | 3.54 |
| F-ASMS-1366 | 847 | 13 | 66 | 6 | 7.5 | 3.9 |
| F-ASMS-1372 | 892 | 13 | 72 | 6 | 8 | 4.25 |



What's Included:

Accessory screen (1).

How to Specify:

Available in a variety of powder coat finish colors. Refer to the samples presented on Tayco metal finish card - accent finish.

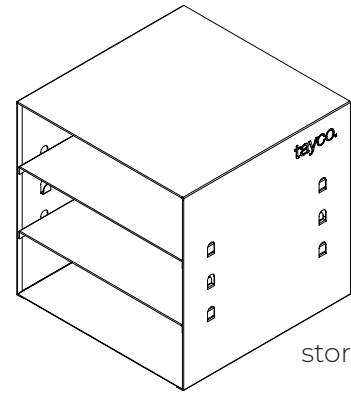
Notes:

The accessory screen is a freestanding privacy screen.

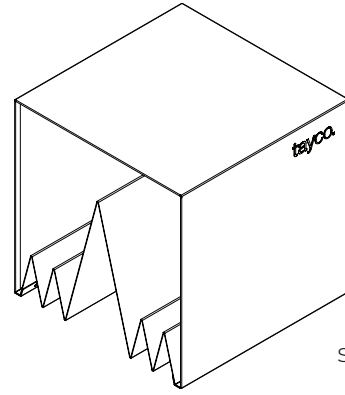
Options:

Color **P121** white **P200** sunrise **P201** tropic
P202 vineyard **P203** sky **P204** meadow

| Code | Price | H (in.) | W (in.) | D 1 (in.) | Weight (lb) | Volume (ft ³) |
|-------------|-------|---------|---------|-----------|-------------|---------------------------|
| F-ASCN-1320 | 421 | 13 | 20 | 6 | 10 | 1.18 |



storage cube (shelf)



storage cube (sorter)

What's Included:

Shelf: Storage cube (1) and two shelf inserts (2).
 Sorter: Storage cube (1) and an insert (1).

How to Specify:

Available in a variety of powder coat finish colors. Refer to the samples presented on Tayco metal finish card.
 Storage cube outer shell and insert are available in a variety of color combinations.

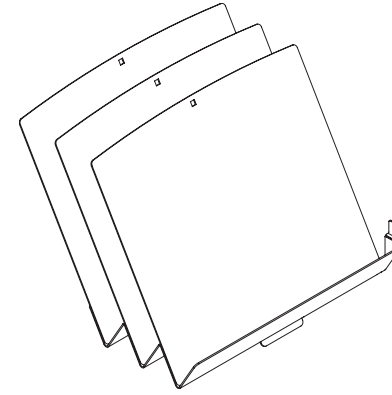
Notes:

Storage cube can hold multiple folders and papers.

Color combination Options:

| Insert Color | OUTER SHELL COLOR | | | | | | | |
|---------------|-------------------|-------------|------------|--------------|-------------|---------------|----------|-------------|
| | P121 white | P112 silver | P114 black | P200 sunrise | P201 tropic | P202 vineyard | P203 sky | P204 meadow |
| P121 white | ✓ | ✓ | ✓ | ✓ | ✓ | ✓ | ✓ | ✓ |
| P112 silver | ✓ | ✓ | ✓ | ✓ | ✓ | ✓ | ✓ | ✓ |
| P114 black | ✓ | ✓ | ✓ | ✓ | ✓ | ✓ | ✓ | ✓ |
| P200 sunrise | ✓ | ✓ | ✓ | ✓ | | | | |
| P201 tropic | ✓ | ✓ | ✓ | | ✓ | | | |
| P202 vineyard | ✓ | ✓ | ✓ | | | ✓ | | |
| P203 sky | ✓ | ✓ | ✓ | | | | ✓ | |
| P204 meadow | ✓ | ✓ | ✓ | | | | | ✓ |

| Code | Price | H (in.) | W (in.) | D 1 (in.) | Weight (lb) | Volume (ft ³) |
|-----------------------|-------|---------|---------|-----------|-------------|---------------------------|
| storage cube (shelf) | | | | | | |
| V-ACSF | 432 | 12 | 12 | 12 | 8 | 1 |
| storage cube (sorter) | | | | | | |
| V-ACSR | 349 | 12 | 12 | 12 | 8 | 1 |



What's Included:

Paper sorter base (1) and three paper sorter panels (3).

How to Specify:

Available in a variety of powder coat finish colors. Refer to the samples presented on Tayco metal finish card - accent finish.

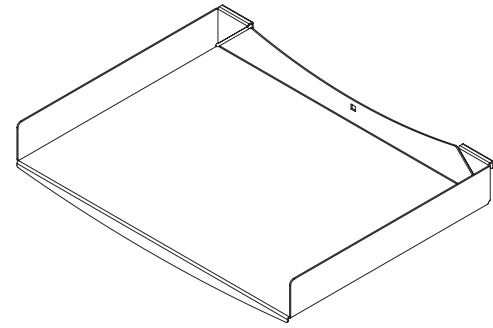
Options:

| | | | |
|-------|---|--|--|
| Color | P121 white P202 vineyard | P200 sunrise P203 sky | P201 tropic P204 meadow |
|-------|---|--|--|

Notes:

Paper sorter can hold multiple folders at an optimal angle

| Code | Price | H (in.) | W (in.) | D 1 (in.) | Weight (lb) | Volume (ft ³) |
|-------|-------|---------|---------|-----------|-------------|---------------------------|
| F-AAS | 206 | 2.5 | 11 | 10 | 4 | 3 |



What's Included:

Paper tray (1).

How to Specify:

Available in a variety of powder coat finish colors. Refer to the samples presented on Tayco metal finish card - accent finish.

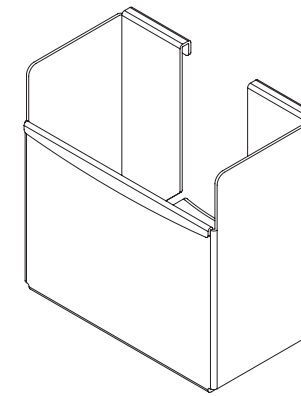
Options:

| | | | |
|------------|---|--|--|
| Paper size | 9 letter | 13 legal | |
| Color | P121 white P202 vineyard | P200 sunrise P203 sky | P201 tropic P204 meadow |

Notes:

Paper tray is available in letter and legal paper sizes.

| Code | Price | H (in.) | W (in.) | D 1 (in.) | Weight (lb) | Volume (ft ³) |
|----------|-------|---------|---------|-----------|-------------|---------------------------|
| letter | | | | | | |
| F-AAP-9 | 102 | 3.2 | 12 | 9 | 2 | 0.12 |
| legal | | | | | | |
| F-AAP-13 | 117 | 3.2 | 15 | 9 | 3 | 0.16 |



What's Included:

Pen holder (1).

How to Specify:

Available in a variety of powder coat finish colors. Refer to the samples presented on Tayco metal finish card - accent finish.

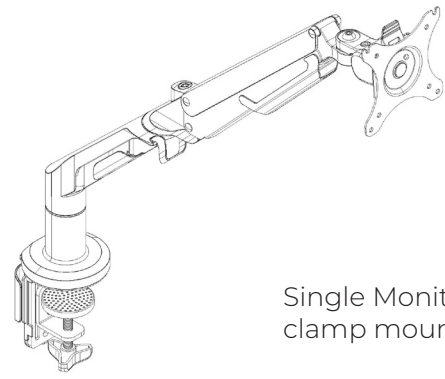
Options:

| | | | |
|-------|---|--|--|
| Color | P121 white P202 vineyard | P200 sunrise P203 sky | P201 tropic P204 meadow |
|-------|---|--|--|

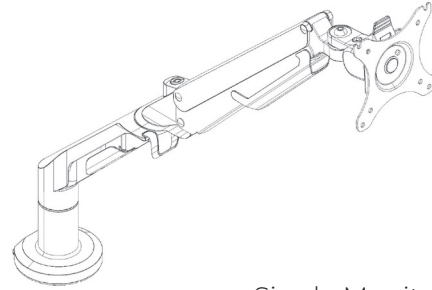
Notes:

Pen holder is 4" wide by 2" deep.

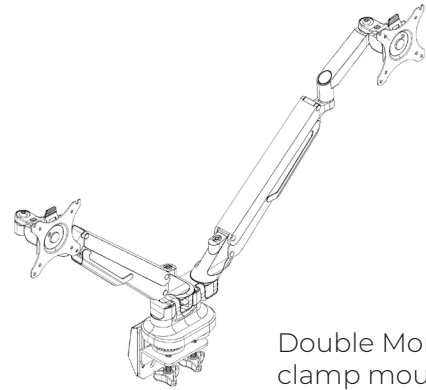
| Code | Price | H (in.) | W (in.) | D 1 (in.) | Weight (lb) | Volume (ft ³) |
|-------|-------|---------|---------|-----------|-------------|---------------------------|
| F-AAH | 94 | 4 | 4 | 2 | 1 | 0.02 |



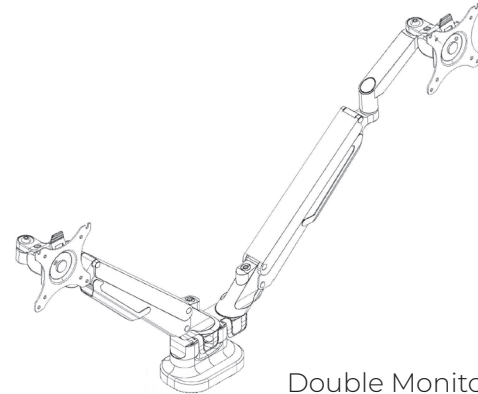
Single Monitor Arm - clamp mount



Single Monitor Arm - grommet mount



Double Monitor Arm - clamp mount



Double Monitor Arm - grommet mount

What's Included:

One monitor arm and installation hardware for both clamp and grommet mount

How to Specify:

- Specify type

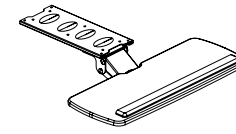
Notes:

- Available in silver only
- Single Monitor Arm
 - Screen Size - 17"-36"
 - Load Capacity - 6.6-26.4lbs/3-12kg
 - Tilt Range - -90 degrees - -15 degrees
- Dual Monitor Arm
 - Screen Size - 17"-32"
 - Load Capacity - 4.4-19.8lbs/2-9kg
 - Tilt Range - -90 degrees - -15 degrees

Dimensions:

Vesa: 75x75 and 100x100

| Code | Price |
|----------------------------|-------|
| Monitor Arm - Single Mount | |
| V-AFMA-01 | 426 |
| Monitor Arm - Double Mount | |
| V-AFMA-02 | 711 |



Articulating Keyboard Tray

What's Included:

Keyboard Tray, installation hardware.

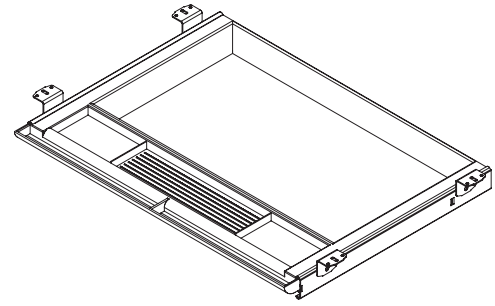
How to Specify:

The articulating keyboards are available only in black.

Notes:

Keyboard trays provide adjustable ergonomic support for individuals in multi-task environments

| Code | Price | H | W | D | Volume (ft ³) | Weight (lb) |
|----------------------------|-------|---|----|----|---------------------------|-------------|
| Articulating Keyboard Tray | | | | | | |
| V-KASX-2510 | 459 | 0 | 25 | 10 | 0 | 15 |



What's Included:

Pencil Drawer (1) installation hardware and mounting slides.

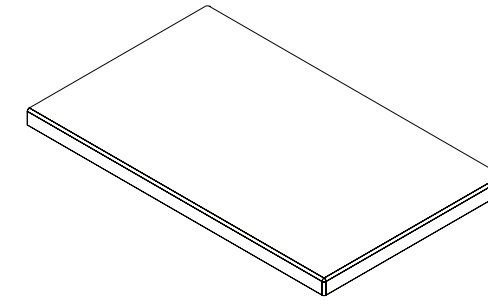
How to Specify:

This product is available only in black.

Notes:

Pencil drawers provide compartmentalized pencil and stationary storage below the worksurface.

| Code | Price | H (in.) | W (in.) | Weight (lb) | Volume (ft ³) |
|--------|-------|---------|---------|-------------|---------------------------|
| V-ADPP | 100 | 21 | 16 | 1.8 | 0.62 |



What's Included:

Credenza seat cushion (1).

How to Specify:

Specify the width of the seat cushion to be the same as the width of the credenza used for support if a full seat cushion to cover the entire top of a credenza is required

Specify the width of the seat cushion to be 18-inches if an off-modular smaller seat cushion is required to accommodate power access, top mounted storage, and worksurfaces supports.

Refer to the swatches presented on Tayco Seating fabric cards.

Notes:

Mounting brackets on the bottom of the seat fit into the channel rail on the top of credenza allowing the seat cushion to slide from side-to-side along the width of the credenza.

Options:

Width 18, 24, 30, 36, 42, 48, 54, 60, 66, 72

| Code | Price | W (in.) |
|-----------|-------|---------|
| F-ACSC-18 | 301 | 18 |
| F-ACSC-24 | 350 | 24 |
| F-ACSC-30 | 399 | 30 |
| F-ACSC-36 | 444 | 36 |
| F-ACSC-42 | 501 | 42 |
| F-ACSC-48 | 548 | 48 |
| F-ACSC-54 | 602 | 54 |
| F-ACSC-60 | 647 | 60 |
| F-ACSC-66 | 704 | 66 |
| F-ACSC-72 | 751 | 72 |