



Tables Pricebook

Supply Arrangement (RFSA)
E60PQ-140003/D

March 2024

contents

Caution	iii
Volley tables	5
120 base & surface	6
straight	8
5 sided	12
unitized	14
upgrades	24
Norris tables	27
super ellipse without power and data	28
super ellipse with power and data	30
video without power and data	32
video with power and data	34
boat without power and data	36
boat with power and data	38
straight without power and data	40
straight with power and data	42
Kip tables	45
community table without power and data	46
community table with power and data	48
Koko tables	51
rectangular table	52
round table	53
Hanna tables	55
T base - slim	56
T base - tubular	58
X base - slim	60
X base - tubular	62
super ellipse top	64
round top	66
squircle top	68
rectangular top	70
square top	72
One-touch tables	75
flip-top mobile	76
power, data and wire management	78
accessories	80

media tables	86
ottoman	102
HPL upcharge for worksurfaces	106

Caution

Load Bottom Drawer First

- Operate one drawer at a time
- Units may tip if loaded incorrectly
- Units should be attached to a wall or other furniture to reduce tipping hazard
- Always load the heaviest files in the bottom drawer

Heavy Load

- Some products must be anchored to wall to ensure stability & safety.
- It is the owner and installers responsibility to ensure that the wall type and construction is of sufficient strength to carry the loads of any wall mounted products and their contents.
- Failure of the wall and anchors to support all imposed loads may result in property damage and/or personal injury.
- Tayco can provide size and empty weight of its products only. As wall blocking is considered a building construction process, Tayco cannot provide recommendations in this respect and cannot be responsible for damage or injury that may occur as a result of improper installation and/or blocking.

Instability Hazard

Mobile items on casters such as flip top, personal and movable tables of any type and storage items of any type may present an instability hazard if not secured correctly while in use or in storage. Flip top tables or training tables of any type, are inherently more unstable when folded. Tayco provides the following guidelines & warnings when using mobile products:

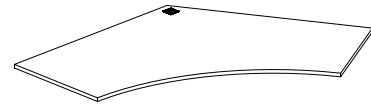
- Lock casters immediately after moving. Do not leave the casters unlocked when in use or in storage.
- Motion may increase the instability of any item with casters. If the wheels hit an obstruction the table's forward momentum often causes overturn, especially if the item is not equipped with wheel extensions. Exercise strong caution while moving these items.
- Use caution when abrupt level changes in the floor are present (such as a doorway or room threshold) as caster failure or tipping may result.
- Do not stand, sit or lean on mobile items for support. They are not intended for this use and personal injury or property damage may result.
- Mobile units that feature height adjustable elements must be lowered to the minimum compressed height when moving to prevent instability. It is also recommended the user remove all computer equipment or other accessories to prevent possible weight imbalance or damage to equipment.
- Failure to follow the guidelines above may result in property damage or personal injury.



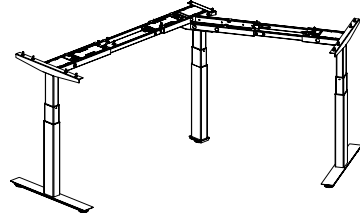
Tables Pricebook
February 2024
Volley

Volley tables

<u>120 base & surface</u>	6
<u>straight</u>	8
<u>with enclosures, no modesty</u>	10
<u>with enclosures, trough & modesty</u>	11
<u>5 sided</u>	12
<u>unitized</u>	14
<u>upgrades</u>	24



height adjustable surface



height adjustable base

What's Included:

One (1) 120 Volley table (1) with one (1) grommet, a set of height adjustable supports (1) and one digital height display unit (1).

How to Specify:

Grommet can be specified in silver or white. Edge color will default to match the surface color of the worksurface unless otherwise specified. Pinch points are taken into account in all of the Integrated tables.

Notes:

Worksurface is 1-inch thick. All worksurfaces have 2mm vinyl edge trim. Low pressure laminate is available on the top surface of a worksurface.

Table height can be adjusted to 25" from the ground and raised to a maximum height of 51" from the ground. BIFMA bases can be adjusted to 22.75" from the ground and raised to a maximum height of 48.75" from the ground.

Load capacity of 330lb with worksurface.

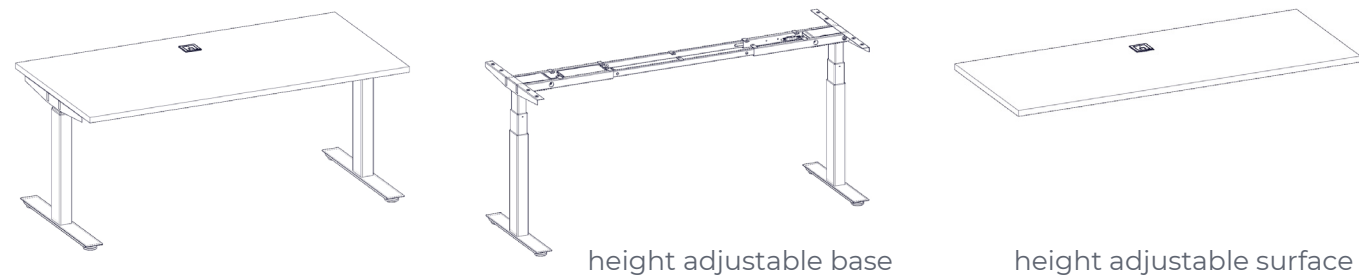
Freestanding Options:

Width	42", 48", 54"		
Depth	42", 48", 54"		
End	24", 30"		
Worksurface Laminate	laminate color		
Leg color	silver	white	black

Integrated Options:

Width	40", 46", 52"		
Depth	40", 46", 52"		
End	23", 29"		
Worksurface Laminate	laminate color		
Leg color	silver	white	black

Code	Price	Height (in)	W Range (in)	D (in)	Volume (ft ³)	Weight (lb)
120 Base						
R-HA3B2-S-G3	3187		40"-48"	24	4.22	120
R-HA3B2-L-G3	3217		52"-60"	24	4.27	128
BIFMA Base						
R-HA3B2-S-G3-B	3187		40"-48"	24	4.22	120
R-HA3B2-L-G3-B	3217		52"-60"	24	4.27	128
120 Surface - Freestanding						
R-S2CG-4224	943	1	42	42	1.8	32
R-S2CG-4230	1142	1	42	42	2.125	35
R-S2CG-4824	1001	1	48	48	1.9	35
R-S2CG-4830	1200	1	48	48	2.25	38
R-S2CG-5424	1013	1	54	54	2.1	38
R-S2CG-5430	1213	1	54	54	2.45	41
120 Surface - Integrated						
R-S2CG-4023	911	1	40	40	1.71	30
R-S2CG-4029	1091	1	40	40	2.03	33
R-S2CG-4623	969	1	46	46	1.8	33
R-S2CG-4629	1149	1	46	46	2.15	36
R-S2CG-5223	982	1	52	52	2	36
R-S2CG-5229	1162	1	52	52	2.35	39



What's Included:

Straight desk worksurface (1) with a center grommet (1) a set of height adjustable supports (1) and one digital height display unit (1).

How to Specify:

Grommet can be specified in silver or white.

Edge color will default to match the surface color of the worksurface unless otherwise specified.

Pinch points are taken into account in all of the Integrated tables.

Notes:

Straight desk worksurface is 1-inch thick.

Table height can be adjusted to 25" from the ground and raised to a maximum height of 51" from the ground. BIFMA bases can be adjusted to 22.75" from the ground and raised to a maximum height of 48.75" from the ground.

Load capacity of 275lb with worksurface.

Freestanding Options:

Width	36", 42", 48", 54", 60", 66", 72"		
Depth	24", 30"		
Worksurface Laminate	laminate color		
Leg color	silver	white	black

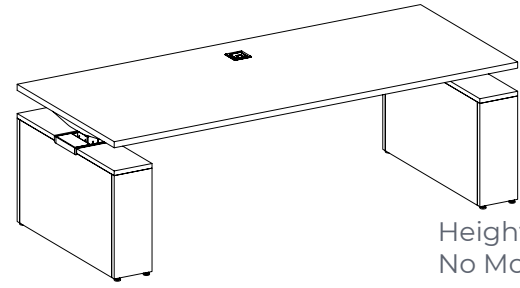
Integrated Options:

Width	34", 40", 46", 52", 58", 64", 70"		
Depth	23", 29"		
Worksurface Laminate	laminate color		
Leg color	silver	white	black

straight - base

Code	Price	W Range (in)	D(in)	Weight (lb)	Volume (ft ³)
R-HATB-S-G3	1467	40"-72"	24	88	2.8
R-HATB-L-G3	1501	76"-90"	24	90	2.86
BIFMA base					
R-HATB-S-G3-B	1467	40"-72"	24	88	2.8
R-HATB-L-G3-B	1501	76"-90"	24	90	2.86

Code	Price	Width (in)	Depth (in)	Volume (ft ³)	Weight (lb)
surface - freestanding					
R-WS0G-3624	316	36	24	0	16
R-WS0G-3630	322	36	30	0	20
R-WS0G-4224	337	42	24	0	18.66
R-WS0G-4230	345	42	30	0	23.33
R-WS0G-4824	385	48	24	0	21.33
R-WS0G-4830	405	48	30	0	26.67
R-WS0G-5424	465	54	24	0	24
R-WS0G-5430	497	54	30	0	30
R-WS0G-6024	488	60	24	0	26.67
R-WS0G-6030	520	60	30	0	33.31
R-WS0G-6624	540	66	24	0	29.33
R-WS0G-6630	554	66	30	0	36.65
R-WS0G-7224	566	72	24	0	32
R-WS0G-7230	568	72	30	0	40
R-WS0G-7824	701	78	24	1.3	34
R-WS0G-7830	739	78	30	1.625	42
R-WS0G-8424	765	84	24	1.4	36
R-WS0G-8430	803	84	30	1.75	44
surface integrated					
R-WS0G-3423	316	34	23	0	15.98
R-WS0G-3429	322	34	29	0	19.97
R-WS0G-4023	337	40	23	0	18.64
R-WS0G-4029	345	40	29	0	23.3
R-WS0G-4623	385	46	23	0	21.31
R-WS0G-4629	405	46	29	0	26.64
R-WS0G-5223	452	52	23	0	23.98
R-WS0G-5229	465	52	29	0	29.77
R-WS0G-5823	488	58	23	0	26.65
R-WS0G-5829	479	58	29	0	33.28
R-WS0G-6423	540	64	23	0	29.31
R-WS0G-6429	554	64	29	0	36.62
R-WS0G-7023	566	70	23	0	31.98
R-WS0G-7029	568	70	29	0	39.77
R-WS0G-7623	701	76	23	1.21	33.98
R-WS0G-7629	739	76	29	1.53	41.77
R-WS0G-8223	765	82	23	1.3	35.98
R-WS0G-8229	803	82	29	1.65	43.77



Height Adjustable Table, w/Box Enclosure, w/Grommet, No Modesty

What's Included:

HAT table, box enclosure, grommet

How to Specify:

Edge color will default to match the surface color of the worksurface unless otherwise specified.

Grommet can be specified in silver or white.

Enclosure comes with automatically matching worksurface laminate unless otherwise specified.

HAT leg can be specified in silver, black or white.

Notes:

Worksurface is 1-inch thick.

All worksurfaces have 2mm vinyl edge trim.

Low pressure laminate is available on the top surface of a worksurface.

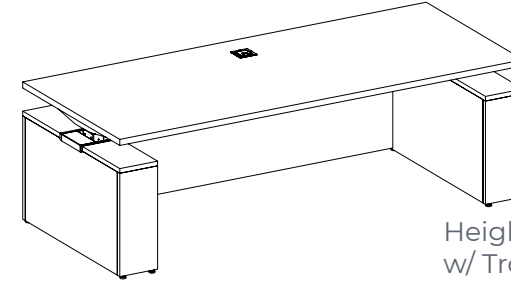
Table height can be adjusted to 25.5" from the ground and raised to a maximum height of 51" from the ground.

Load capacity of 350lb with worksurface.

Options:

Width	60", 66", 72", 78", 84"		
Depth	24", 30"		
Worksurface Laminate	laminate color		
Leg color	silver	white	black

Code	Price	H Range (in)	W (in)	D (in)
R-HABT-6024-N	3652	25.5 - 51	60	24
R-HABT-6624-N	3654	25.5 - 51	66	24
R-HABT-7224-N	3730	25.5 - 51	72	24
R-HABT-7824-N	3764	25.5 - 51	78	24
R-HABT-8424-N	3766	25.5 - 51	84	24
R-HABT-6030-N	3660	25.5 - 51	60	30
R-HABT-6630-N	3662	25.5 - 51	66	30
R-HABT-7230-N	3737	25.5 - 51	72	30
R-HABT-7830-N	3771	25.5 - 51	78	30
R-HABT-8430-N	3774	25.5 - 51	84	30



Height Adjustable Table, w/Box Enclosure, w/Grommet, w/ Trough & Modesty, 1" Top

What's Included:

HAT table, box enclosure, grommet, modesty

How to Specify:

Edge color will default to match the surface color of the worksurface unless otherwise specified.

Grommet can be specified in silver or white.

Enclosure comes with automatically matching worksurface laminate unless otherwise specified.

HAT leg can be specified in silver, black or white.

Modesty can be specified in frost acrylic or laminate. Laminate modesty will default to match the worksurface colour unless otherwise specified.

Notes:

Worksurface is 1-inch thick.

All worksurfaces have 2mm vinyl edge trim.

Low pressure laminate is available on the top surface of a worksurface.

Table height can be adjusted to 25.5" from the ground and raised to a maximum height of 51" from the ground.

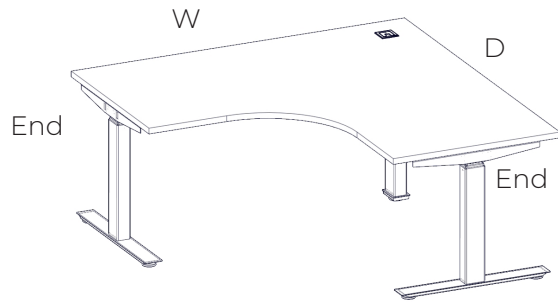
Load capacity of 350lb with worksurface.

Modesty size is adjusted to incorporate Volley height adjustable table enclosures

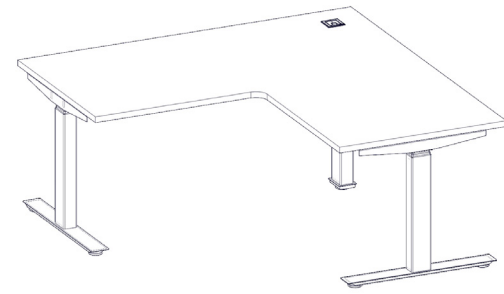
Options:

Width	60", 66", 72", 78", 84"		
Depth	24", 30"		
Worksurface Laminate	laminate color		
Leg color	silver	white	black

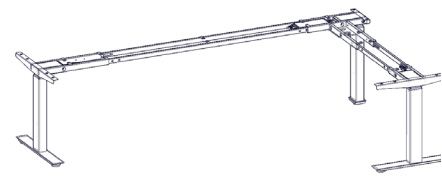
Code	Price	H Range (in)	W (in)	D (in)
R-HABT-6024-M	4225	25.5 - 51	60	24
R-HABT-6624-M	4239	25.5 - 51	66	24
R-HABT-7224-M	4358	25.5 - 51	72	24
R-HABT-7824-M	4440	25.5 - 51	78	24
R-HABT-8424-M	4453	25.5 - 51	84	24
R-HABT-6030-M	4232	25.5 - 51	60	30
R-HABT-6630-M	4246	25.5 - 51	66	30
R-HABT-7230-M	4365	25.5 - 51	72	30
R-HABT-7830-M	4447	25.5 - 51	78	30
R-HABT-8430-M	4461	25.5 - 51	84	30



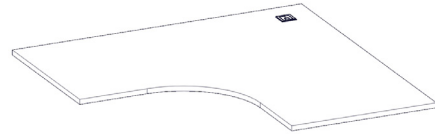
5 sided height adjustable table- curved



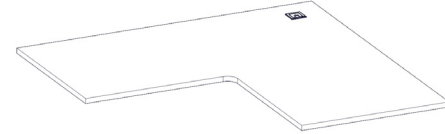
5 sided height adjustable table- 90 degree



5 sided base



5 sided surface - curved



5 sided surface - 90 degree

What's Included:

Unitized Volley tables (1) with one grommet (1), a set of height adjustable supports (1) and one digital height display unit (1).

How to Specify:

Grommet can be specified in silver or white.

Edge color will default to match the surface color of the worksurface unless otherwise specified.

Pinch points are taken into account in all of the Integrated tables.

Notes:

Straight desk worksurface is 1-inch thick.

Table height can be adjusted to 25" from the ground and raised to a maximum height of 51" from the ground. BIFMA bases can be adjusted to 22.75" from the ground and raised to a maximum height of 48.75" from the ground.

Load capacity of 330lb with worksurface.

Freestanding Options:

Width/Depth	48", 54", 60",		
End	24", 30"		
Worksurface Laminate	laminate color		
Leg color	silver	white	black

Integrated Options:

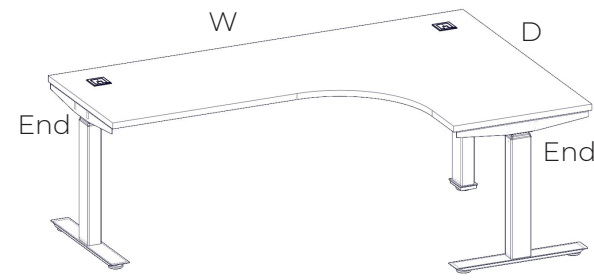
Width/Depth	46", 52", 58"		
End	23", 29"		
Worksurface Laminate	laminate color		
Leg color	silver	white	black

5 sided base

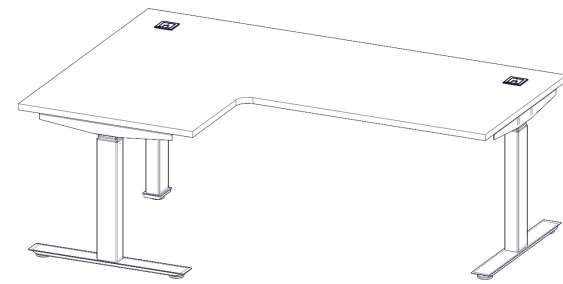
Code	Price	W Range (in)	D (in)	Volume (ft ³)	Weight (lb)
R-HA3B-S-G3	2960	46"-72"	24	146	4.22
R-HA3B-L-G3	2992	58"-84"	24	148	4.27
BIFMA base					
R-HA3B-S-G3-B	2960	46"-72"	24	146	4.22
R-HA3B-L-G3-B	2992	58"-84"	24	148	4.27

5 sided surface

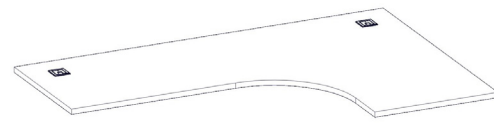
Code	Price	Width (in)	Depth (in)	Volume (ft ³)	Weight (lb)
freestanding curved					
R-W5CG-4824	683	48	24	5.22	47.43
R-W5CG-4830	710	48	30	5.22	50.21
R-W5CG-5424	779	54	24	5.22	49.45
R-W5CG-5430	884	54	30	5.22	51.63
R-W5CG-6024	866	60	24	5.22	54.2
R-W5CG-6030	1011	60	30	5.22	56.32
freestanding 90 degree					
R-W5NG-4824	683	48	24	5.22	47.43
R-W5NG-4830	710	48	30	5.22	50.21
R-W5NG-5424	779	54	24	5.22	49.45
R-W5NG-5430	884	54	30	5.22	51.63
R-W5NG-6024	866	60	24	5.22	54.2
R-W5NG-6030	1011	60	30	5.22	56.32
integrated curved					
R-W5CG-4623	683	46	23	5.22	47.43
R-W5CG-4629	710	46	29	5.22	50.21
R-W5CG-5223	779	52	23	5.22	49.45
R-W5CG-5229	884	52	29	5.22	51.63
R-W5CG-5823	866	58	23	5.22	54.2
R-W5CG-5829	1011	58	29	5.22	56.32
integrated 90 degree					
R-W5NG-4623	683	46	23	5.22	47.43
R-W5NG-4629	710	46	29	5.22	50.12
R-W5NG-5223	779	52	23	5.22	49.43
R-W5NG-5229	884	52	29	5.22	51.6
R-W5NG-5823	866	58	23	5.22	54.01
R-W5NG-5829	1011	58	29	5.22	56.03



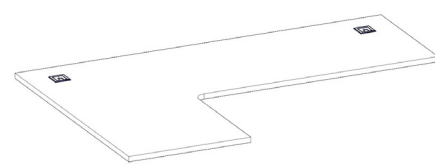
unitized height adjustable table - curved left hand version shown



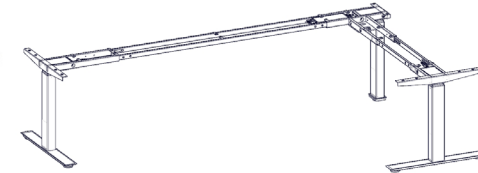
unitized height adjustable table - 90 degree right hand version shown



unitized surface - curved -left hand version shown



unitized surface- 90 degree - right hand version shown



unitized base

What's Included:

Unitized Volley tables (1) with two grommets (2) a set of height adjustable supports (1) and one digital height display unit (1).

How to Specify:

Grommet can be specified in silver or white.

Edge color will default to match the surface color of the worksurface unless otherwise specified.

Pinch points are taken into account in all of the Integrated tables.

Notes:

Straight desk worksurface is 1-inch thick.

All worksurfaces have 2mm vinyl edge trim.

Low pressure laminate is available on the top surface of a worksurface.

Table height can be adjusted to 25.5" from the ground and raised to a maximum height of 51" from the ground.

Load capacity of 350lb with worksurface.

Freestanding Options:

Width	60", 66", 72", 78", 84"		
Depth	48", 54", 60"		
End	24", 30"		
Worksurface Laminate	laminate color		
Leg color	silver	white	black

Integrated Options:

Width	58", 64", 70", 76", 82"		
Depth	46", 52", 58"		
End	23", 29"		
Worksurface Laminate	laminate color		
Leg color	silver	white	black

unitized base

Code	Price	W Range (in)	D (in)	Volume (ft ³)	Weight (lb)
R-HA3B-S-G3	2960	46"-72"	24	146	4.22
R-HA3B-L-G3	2992	58"-84"	24	148	4.27

Code	Price	W (in)	Depth (in)	End (in)	Volume (ft ³)	Weight (lb)
surface - freestanding curved						
R-WUCG-604824-L	994	60	48	24	5.42	46.03
R-WUCG-604824-R	994	60	48	24	5.42	46.03
R-WUCG-604830-L	1021	60	48	30	5.42	48.13
R-WUCG-604830-R	1021	60	48	30	5.42	48.13
R-WUCG-605424-L	1092	60	54	24	5.42	47.06
R-WUCG-605424-R	1092	60	54	24	5.42	47.06
R-WUCG-605430-L	1119	60	54	30	5.42	49.32
R-WUCG-605430-R	1119	60	54	30	5.42	49.32
R-WUCG-664824-L	1102	66	48	24	5.42	48.13
R-WUCG-664824-R	1102	66	48	24	5.42	48.13
R-WUCG-664830-L	1133	66	48	30	5.42	49.56
R-WUCG-664830-R	1133	66	48	30	5.42	49.56
R-WUCG-665424-L	1208	66	54	24	5.42	49.26
R-WUCG-665424-R	1208	66	54	24	5.42	49.26
R-WUCG-665430-L	1234	66	54	30	5.42	51.96
R-WUCG-665430-R	1234	66	54	30	5.42	51.96

Code	Price	W (in)	Depth (in)	End (in)	Volume (ft ³)	Weight (lb)
freestanding curved - continued						
R-WUCG-666024-L	1312	66	60	24	5.42	52.36
R-WUCG-666024-R	1312	66	60	24	5.42	52.36
R-WUCG-666030-L	1342	66	60	30	5.42	54.65
R-WUCG-666030-R	1342	66	60	30	5.42	54.65
R-WUCG-724824-L	1154	72	48	24	5.42	52.33
R-WUCG-724824-R	1154	72	48	24	5.42	52.33
R-WUCG-724830-L	1181	72	48	30	5.42	53.69
R-WUCG-724830-R	1181	72	48	30	5.42	53.69
R-WUCG-725424-L	1261	72	54	24	5.42	53.65
R-WUCG-725424-R	1261	72	54	24	5.42	53.65
R-WUCG-725430-L	1293	72	54	30	5.42	55.21
R-WUCG-725430-R	1293	72	54	30	5.42	55.21
R-WUCG-726024-L	1373	72	60	24	5.42	55.36
R-WUCG-726024-R	1373	72	60	24	5.42	55.36
R-WUCG-726030-L	1401	72	60	30	5.42	57.31
R-WUCG-726030-R	1401	72	60	30	5.42	57.31
R-WUCG-784824-L	1296	78	48	24	5.42	54.16
R-WUCG-784824-R	1296	78	48	24	5.42	54.16
R-WUCG-784830-L	1328	78	48	30	5.42	56.19
R-WUCG-784830-R	1328	78	48	30	5.42	56.19

Code	Price	W (in)	Depth (in)	End (in)	Volume (ft ³)	Weight (lb)
freestanding curved - continued						
R-WUCG-785424-L	1415	78	54	24	5.42	56.61
R-WUCG-785424-R	1415	78	54	24	5.42	56.61
R-WUCG-785430-L	1448	78	54	30	5.42	58.17
R-WUCG-785430-R	1448	78	54	30	5.42	58.17
R-WUCG-786024-L	1537	78	60	24	5.42	57.96
R-WUCG-786024-R	1537	78	60	24	5.42	57.96
R-WUCG-786030-L	1569	78	60	30	5.42	58.62
R-WUCG-786030-R	1569	78	60	30	5.42	58.62
R-WUCG-844824-L	1421	84	48	24	5.42	56.16
R-WUCG-844824-R	1421	84	48	24	5.42	56.16
R-WUCG-844830-L	1452	84	48	30	5.42	58.32
R-WUCG-844830-R	1452	84	48	30	5.42	58.32
R-WUCG-845424-L	1554	84	54	24	5.42	58.6
R-WUCG-845424-R	1554	84	54	24	5.42	58.6
R-WUCG-845430-L	1585	84	54	30	5.42	59.63
R-WUCG-845430-R	1585	84	54	30	5.42	59.63
R-WUCG-846024-L	1688	84	60	24	5.42	59.99
R-WUCG-846024-R	1688	84	60	24	5.42	59.99
R-WUCG-846030-L	1717	84	60	30	5.42	61.34
R-WUCG-846030-R	1717	84	60	30	5.42	61.34

Code	Price	W (in)	Depth (in)	End (in)	Volume (ft ³)	Weight (lb)
surface - freestanding 90 degree						
R-WUCG-604824-L	994	60	48	24	5.42	46.03
R-WUCG-604824-R	994	60	48	24	5.42	46.03
R-WUCG-604830-L	1021	60	48	30	5.42	48.13
R-WUCG-604830-R	1021	60	48	30	5.42	48.13
R-WUCG-605424-L	1092	60	54	24	5.42	47.06
R-WUCG-605424-R	1092	60	54	24	5.42	47.06
R-WUCG-605430-L	1119	60	54	30	5.42	49.32
R-WUCG-605430-R	1119	60	54	30	5.42	49.32
R-WUCG-664824-L	1102	66	48	24	5.42	48.13
R-WUCG-664824-R	1102	66	48	24	5.42	48.13
R-WUCG-664830-L	1133	66	48	30	5.42	49.56
R-WUCG-664830-R	1133	66	48	30	5.42	49.56
R-WUCG-665424-L	1208	66	54	24	5.42	49.26
R-WUCG-665424-R	1208	66	54	24	5.42	49.26
R-WUCG-665430-L	1234	66	54	30	5.42	51.96
R-WUCG-665430-R	1234	66	54	30	5.42	51.96
R-WUCG-666024-L	1312	66	60	24	5.42	52.36
R-WUCG-666024-R	1312	66	60	24	5.42	52.36
R-WUCG-666030-L	1342	66	60	30	5.42	54.65
R-WUCG-666030-R	1342	66	60	30	5.42	54.65
R-WUCG-724824-L	1154	72	48	24	5.42	52.33
R-WUCG-724824-R	1154	72	48	24	5.42	52.33
R-WUCG-724830-L	1181	72	48	30	5.42	53.69
R-WUCG-724830-R	1181	72	48	30	5.42	53.69
R-WUCG-725424-L	1261	72	54	24	5.42	53.65
R-WUCG-725424-R	1261	72	54	24	5.42	53.65
R-WUCG-725430-L	1293	72	54	30	5.42	55.21
R-WUCG-725430-R	1293	72	54	30	5.42	55.21

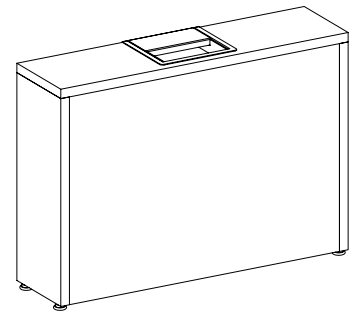
Code	Price	W (in)	Depth (in)	End (in)	Volume (ft ³)	Weight (lb)
freestanding 90 degree - continued						
R-WUCG-726024-L	1373	72	60	24	5.42	55.36
R-WUCG-726024-R	1373	72	60	24	5.42	55.36
R-WUCG-726030-L	1401	72	60	30	5.42	57.31
R-WUCG-726030-R	1401	72	60	30	5.42	57.31
R-WUCG-784824-L	1296	78	48	24	5.42	54.16
R-WUCG-784824-R	1296	78	48	24	5.42	54.16
R-WUCG-784830-L	1328	78	48	30	5.42	56.19
R-WUCG-784830-R	1328	78	48	30	5.42	56.19
R-WUCG-785424-L	1415	78	54	24	5.42	56.61
R-WUCG-785424-R	1415	78	54	24	5.42	56.61
R-WUCG-785430-L	1448	78	54	30	5.42	58.17
R-WUCG-785430-R	1448	78	54	30	5.42	58.17
R-WUCG-786024-L	1537	78	60	24	5.42	57.96
R-WUCG-786024-R	1537	78	60	24	5.42	57.96
R-WUCG-786030-L	1569	78	60	30	5.42	58.62
R-WUCG-786030-R	1569	78	60	30	5.42	58.62
R-WUCG-844824-L	1421	84	48	24	5.42	56.16
R-WUCG-844824-R	1421	84	48	24	5.42	56.16
R-WUCG-844830-L	1452	84	48	30	5.42	58.32
R-WUCG-844830-R	1452	84	48	30	5.42	58.32
R-WUCG-845424-L	1554	84	54	24	5.42	58.6
R-WUCG-845424-R	1554	84	54	24	5.42	58.6
R-WUCG-845430-L	1585	84	54	30	5.42	59.63
R-WUCG-845430-R	1585	84	54	30	5.42	59.63
R-WUCG-846024-L	1688	84	60	24	5.42	59.99
R-WUCG-846024-R	1688	84	60	24	5.42	59.99
R-WUCG-846030-L	1717	84	60	30	5.42	61.34
R-WUCG-846030-R	1717	84	60	30	5.42	61.34

Code	Price	W (in)	Depth (in)	End (in)	Volume (ft ³)	Weight (lb)
integrated curved						
R-WUCG-584623-L	994	58	46	23	5.42	46
R-WUCG-584623-R	994	58	46	23	5.42	46
R-WUCG-584629-L	1021	58	46	29	5.42	48.1
R-WUCG-584629-R	1021	58	46	29	5.42	48.1
R-WUCG-585223-L	1092	58	52	23	5.42	47.03
R-WUCG-585223-R	1092	58	52	23	5.42	47.03
R-WUCG-585229-L	1119	58	52	29	5.42	49.3
R-WUCG-585229-R	1119	58	52	29	5.42	49.3
R-WUCG-644623-L	1102	64	46	23	5.42	48
R-WUCG-644623-R	1102	64	46	23	5.42	48
R-WUCG-644629-L	1133	64	46	29	5.42	48.92
R-WUCG-644629-R	1133	64	46	29	5.42	48.92
R-WUCG-645223-L	1208	64	52	23	5.42	49.23
R-WUCG-645223-R	1208	64	52	23	5.42	49.23
R-WUCG-645229-L	1234	64	52	29	5.42	51.93
R-WUCG-645229-R	1234	64	52	29	5.42	51.93
R-WUCG-645823-L	1312	64	58	23	5.42	52.33
R-WUCG-645823-R	1312	64	58	23	5.42	52.33
R-WUCG-645829-L	1342	64	58	29	5.42	54.62
R-WUCG-645829-R	1342	64	58	29	5.42	54.62
R-WUCG-704623-L	1154	70	46	23	5.42	52.3
R-WUCG-704623-R	1154	70	46	23	5.42	52.3
R-WUCG-704629-L	1181	70	46	29	5.42	53.66
R-WUCG-704629-R	1181	70	46	29	5.42	53.66
R-WUCG-705223-L	1261	70	52	23	5.42	53.62
R-WUCG-705223-R	1261	70	52	23	5.42	53.62
R-WUCG-705229-L	1293	70	52	29	5.42	55.18
R-WUCG-705229-R	1293	70	52	29	5.42	55.18

Code	Price	W (in)	Depth (in)	End (in)	Volume (ft ³)	Weight (lb)
integrated curved - continued						
R-WUCG-705823-L	1373	70	58	23	5.42	55.33
R-WUCG-705823-R	1373	70	58	23	5.42	55.33
R-WUCG-705829-L	1401	70	58	29	5.42	57.28
R-WUCG-705829-R	1401	70	58	29	5.42	57.28
R-WUCG-764623-L	1296	76	46	23	5.42	54.13
R-WUCG-764623-R	1296	76	46	23	5.42	54.13
R-WUCG-764629-L	1328	76	46	29	5.42	56.16
R-WUCG-764629-R	1328	76	46	29	5.42	56.16
R-WUCG-765223-L	1415	76	52	23	5.42	56.58
R-WUCG-765223-R	1415	76	52	23	5.42	56.58
R-WUCG-765229-L	1448	76	52	29	5.42	57.14
R-WUCG-765229-R	1448	76	52	29	5.42	57.14
R-WUCG-765823-L	1537	76	58	23	5.42	57.93
R-WUCG-765823-R	1537	76	58	23	5.42	57.93
R-WUCG-765829-L	1569	76	58	29	5.42	58.59
R-WUCG-765829-R	1569	76	58	29	5.42	58.59
R-WUCG-824623-L	1421	82	46	23	5.42	56.13
R-WUCG-824623-R	1421	82	46	23	5.42	56.13
R-WUCG-824629-L	1452	82	46	29	5.42	58.28
R-WUCG-824629-R	1452	82	46	29	5.42	58.28
R-WUCG-825223-L	1554	82	52	23	5.42	58.57
R-WUCG-825223-R	1554	82	52	23	5.42	58.57
R-WUCG-825229-L	1585	82	52	29	5.42	59.6
R-WUCG-825229-R	1585	82	52	29	5.42	59.6
R-WUCG-825823-L	1688	82	58	23	5.42	59.96
R-WUCG-825823-R	1688	82	58	23	5.42	59.96
R-WUCG-825829-L	1717	82	58	29	5.42	61.31
R-WUCG-825829-R	1717	82	58	29	5.42	61.31

Code	Price	W (in)	Depth (in)	End (in)	Volume (ft ³)	Weight (lb)
integrated 90 degree						
R-WUNG-584623-L	1042	60	48	24	5.42	46.03
R-WUNG-584623-R	1042	60	48	24	5.42	46.03
R-WUNG-585223-L	1144	60	48	30	5.42	48.13
R-WUNG-585223-R	1144	60	48	30	5.42	48.13
R-WUNG-585229-L	1176	60	54	24	5.42	47.06
R-WUNG-585229-R	1176	60	54	24	5.42	47.06
R-WUNG-644623-L	1156	60	54	30	5.42	49.32
R-WUNG-644623-R	1156	60	54	30	5.42	49.32
R-WUNG-645223-L	1268	66	48	24	5.42	48.13
R-WUNG-645223-R	1268	66	48	24	5.42	48.13
R-WUNG-645229-L	1296	66	48	30	5.42	49.56
R-WUNG-645229-R	1296	66	48	30	5.42	49.56
R-WUNG-645823-L	1376	66	54	24	5.42	49.26
R-WUNG-645823-R	1376	66	54	24	5.42	49.26
R-WUNG-645829-L	1408	66	54	30	5.42	51.96
R-WUNG-645829-R	1408	66	54	30	5.42	51.96
R-WUNG-704623-L	1211	66	60	24	5.42	52.36
R-WUNG-704623-R	1211	66	60	24	5.42	52.36
R-WUNG-705223-L	1322	66	60	30	5.42	54.65
R-WUNG-705223-R	1322	66	60	30	5.42	54.65
R-WUNG-705229-L	1356	72	48	24	5.42	52.33
R-WUNG-705229-R	1356	72	48	24	5.42	52.33
R-WUNG-705823-L	1438	72	48	30	5.42	53.69
R-WUNG-705823-R	1438	72	48	30	5.42	53.69
R-WUNG-705829-L	1470	72	54	24	5.42	53.65
R-WUNG-705829-R	1470	72	54	24	5.42	53.65
R-WUNG-764623-L	1361	72	54	30	5.42	55.21
R-WUNG-764623-R	1361	72	54	30	5.42	55.21

Code	Price	W (in)	Depth (in)	End (in)	Volume (ft ³)	Weight (lb)
integrated 90 degree - continued						
R-WUNG-765223-L	1484	72	60	24	5.42	55.36
R-WUNG-765223-R	1484	72	60	24	5.42	55.36
R-WUNG-765229-L	1520	72	60	30	5.42	57.31
R-WUNG-765229-R	1520	72	60	30	5.42	57.31
R-WUNG-765823-L	1612	78	48	24	5.42	54.16
R-WUNG-765823-R	1612	78	48	24	5.42	54.16
R-WUNG-765829-L	1644	78	48	30	5.42	56.19
R-WUNG-765829-R	1644	78	48	30	5.42	56.19
R-WUNG-824623-L	1490	78	54	24	5.42	56.61
R-WUNG-824623-R	1490	78	54	24	5.42	56.61
R-WUNG-825223-L	1630	78	54	30	5.42	58.17
R-WUNG-825223-R	1630	78	54	30	5.42	58.17
R-WUNG-825229-L	1663	78	60	24	5.42	57.96
R-WUNG-825229-R	1663	78	60	24	5.42	57.96
R-WUNG-825823-L	1770	78	60	30	5.42	58.62
R-WUNG-825823-R	1770	78	60	30	5.42	58.62
R-WUNG-825829-L	1800	84	48	24	5.42	56.16
R-WUNG-825829-R	1800	84	48	24	5.42	56.16



Height Adjustable Table Enclosure Box

What's Included:

HAT enclosure box

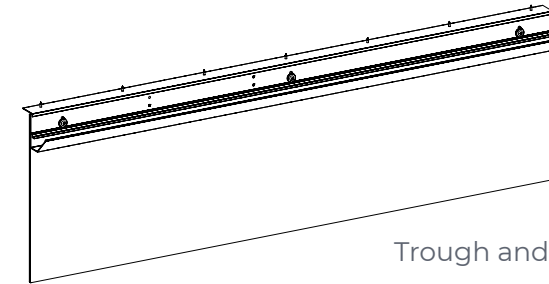
How to Specify:

Laminate comes with automatically matching vinyl trim unless otherwise specified.

Options:

Depth	25.5", 30"
Enclosure	laminate color

Code	Price	H (in)	W (in)	D (in)
R-HBOX-180725	925	18.25	6.75	25.5
R-HBOX-180730	928	18.25	6.75	30



Trough and trough mounted modesty

What's Included:

Trough and trough mounted modesty for Volley height adjustable table

How to Specify:

Modesty can be specified in frosted acrylic or laminate.

Laminate modesty will default to match the worksurface color unless otherwise specified.

Notes:

Modesty size is adjusted to incorporate Volley height adjustable table enclosures

Options:

Width	46", 52", 58", 64", 70"
Modesty	frosted acrylic or laminate color

Code	Price	H (in)	W (in)
Laminate Modesty			
R-HMOD-6021	571	21	46
R-HMOD-6621	583	21	52
R-HMOD-7221	626	21	58
R-HMOD-7821	674	21	64
R-HMOD-8421	686	21	70
Frosted Acrylic Modesty			
R-HMOD-6021-F	868	21	46
R-HMOD-6621-F	963	21	52
R-HMOD-7221-F	992	21	58
R-HMOD-7821-F	1216	21	64
R-HMOD-8421-F	1220	21	70



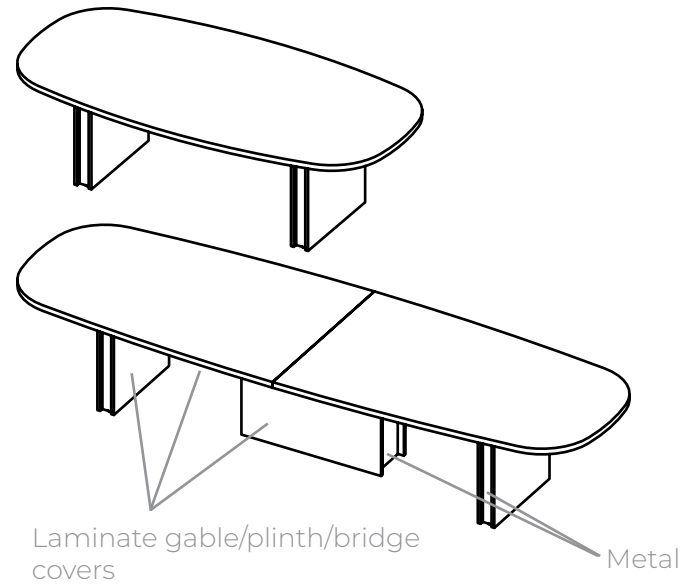
Tables Pricebook February 2024 Norris Tables

Norris tables

super ellipse without power and data	28
super ellipse with power and data	30
video without power and data	32
video with power and data	34
boat without power and data	36
boat with power and data	38
straight without power and data	40
straight with power and data	42

Add-on Kits

Code	Price	Description
R-ESMU-A	123	USB ADAPTER (1EA DUAL USB PORTS WITH ADAPTER)
R-ESMU-K	799	USB KIT (4EA DUAL USB PORTS WITH HUB)



What's Included:

- Steel bridge under structure.
- 1.5" thick laminate top plinth + gable covers.
- Two metal gables with removable laminate covers for wire management.
- Under bridge cover conceals all wires.
- Sizes 108" and 240" come with a horizontal plinth with fixed laminate covers + removable metal insert.

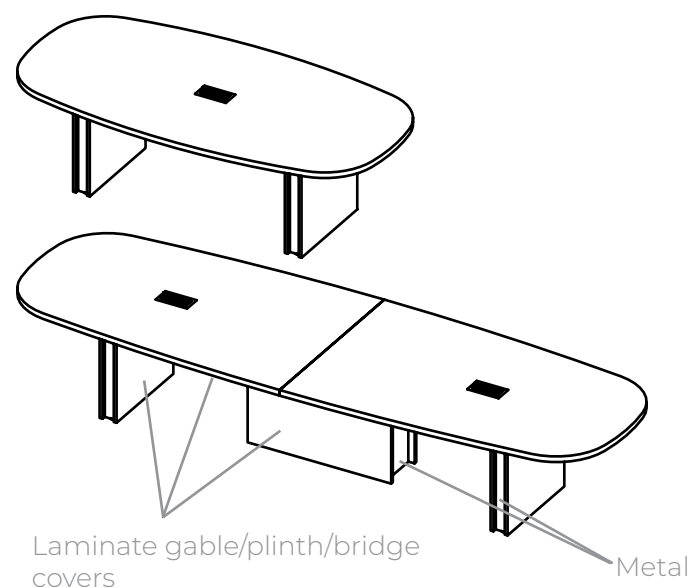
How to Specify:

- Laminate comes with automatically matching vinyl trim unless otherwise specified.
- Metal accent color.
- Plinth laminates and gable covers can match or contrast the chosen top color.
- Metal Gables, bridge, and plinth side covers are painted in matching powder paint color.

Options:

Width	72", 84", 96", 108", 120", 132", 144", 156", 168", 180", 192", 204", 216", 228", 240"
Depth	36", 42", 48", 60"
Worksurface Laminate Color	
Gable + Plinth	Laminate Color
Metal Accent Color	

Code	Price	Height (in)	Width (in)	Depth (in)	Volume (ft ³)	Weight (lb)
R-BE1N-7236	2714	29.5	72	36	5.04	72.58
R-BE1N-8436	2905	29.5	84	36	5.88	84.67
R-BE1N-9636	3054	29.5	96	36	6.72	96.77
R-BE1N-7242	3017	29.5	72	42	5.88	84.67
R-BE1N-8442	3168	29.5	84	42	6.86	98.78
R-BE1N-9642	3323	29.5	96	42	7.84	112.9
R-BE1N-10842	3484	29.5	108	42	8.82	127.01
R-BE1N-12042	3646	29.5	120	42	9.8	141.12
R-BE1N-8448	3361	29.5	84	48	7.84	112.9
R-BE1N-9648	3477	29.5	96	48	8.96	129.02
R-BE1N-10848	4711	29.5	108	48	10.08	145.15
R-BE1N-12048	4919	29.5	120	48	11.2	161.28
R-BE1N-13248	5420	29.5	132	48	12.32	177.41
R-BE1N-14448	5643	29.5	144	48	13.44	193.54
R-BE1N-15648	5864	29.5	156	48	14.56	209.66
R-BE1N-16848	6350	29.5	168	48	15.68	225.79
R-BE1N-18048	6438	29.5	180	48	16.8	241.92
R-BE1N-19248	6524	29.5	192	48	17.92	258.05
R-BE1N-20448	8172	29.5	204	48	19.04	274.18
R-BE1N-21648	8406	29.5	216	48	20.16	290.3
R-BE1N-22848	8637	29.5	228	48	21.28	306.43
R-BE1N-24048	9118	29.5	240	48	22.4	322.56
R-BE1N-10860	5661	29.5	108	60	12.6	181.44
R-BE1N-12060	5912	29.5	120	60	14	201.6
R-BE1N-13260	6166	29.5	132	60	15.4	221.76
R-BE1N-14460	6425	29.5	144	60	16.8	241.92
R-BE1N-15660	6681	29.5	156	60	18.2	262.08
R-BE1N-16860	6930	29.5	168	60	19.6	282.24
R-BE1N-18060	7191	29.5	180	60	21	302.4
R-BE1N-19260	7441	29.5	192	60	22.4	322.56
R-BE1N-20460	9207	29.5	204	60	23.8	342.72
R-BE1N-21660	9474	29.5	216	60	25.2	362.88
R-BE1N-22860	9735	29.5	228	60	26.6	383.04
R-BE1N-24060	9992	29.5	240	60	28	403.2



What's Included:

- Steel bridge under structure.
- 1.5" thick laminate top plinth + gable covers.
- Two metal gables with removable laminate covers for wire management.
- Under bridge cover conceals all wires.
- Sizes 108" and 240" come with a horizontal plinth with fixed laminate covers + removable metal insert.

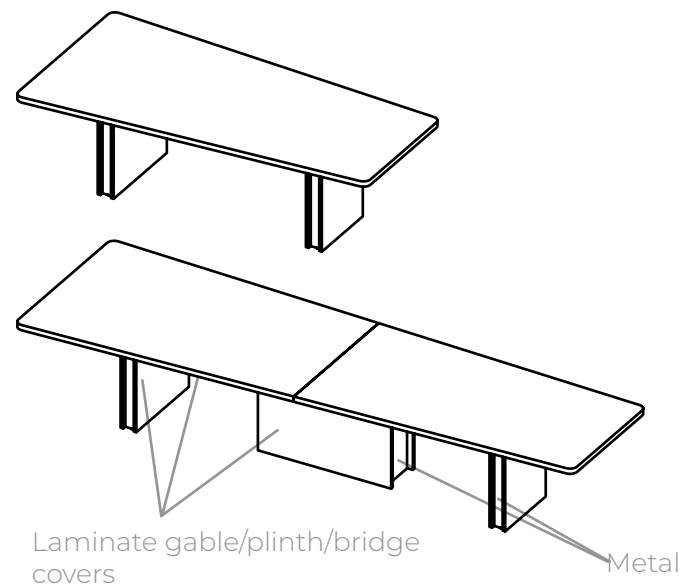
How to Specify:

- Laminate comes with automatically matching vinyl trim unless otherwise specified.
- Metal accent color.
- Plinth laminates and gable covers can match or contrast the chosen top color.
- Metal Gables, bridge, and plinth side covers are painted in matching powder paint color.

Options:

Width	72", 84", 96", 108", 120", 132", 144", 156", 168", 180", 192", 204", 216", 228", 240"
Depth	36", 42", 48", 60"
Worksurface Laminate Color	
Gable + Plinth Laminate Color	
Metal Accent Color	

Code	Price	Height (in)	Width (in)	Depth (in)	Volume (ft ³)	Weight (lb)
R-BE1E-7236	4056	29.5	72	36	5.04	72.58
R-BE1E-8436	4248	29.5	84	36	5.88	84.67
R-BE1E-9636	4397	29.5	96	36	6.72	96.77
R-BE1E-7242	4360	29.5	72	42	5.88	84.67
R-BE1E-8442	4511	29.5	84	42	6.86	98.78
R-BE1E-9642	4667	29.5	96	42	7.84	112.9
R-BE1E-10842	4826	29.5	108	42	8.82	127.01
R-BE1E-12042	4990	29.5	120	42	9.8	141.12
R-BE1E-8448	4705	29.5	84	48	7.84	112.9
R-BE1E-9648	4822	29.5	96	48	8.96	129.02
R-BE1E-10848	7397	29.5	108	48	10.08	145.15
R-BE1E-12048	7606	29.5	120	48	11.2	161.28
R-BE1E-13248	8256	29.5	132	48	12.32	177.41
R-BE1E-14448	8481	29.5	144	48	13.44	193.54
R-BE1E-15648	8700	29.5	156	48	14.56	209.66
R-BE1E-16848	9188	29.5	168	48	15.68	225.79
R-BE1E-18048	9277	29.5	180	48	16.8	241.92
R-BE1E-19248	9362	29.5	192	48	17.92	258.05
R-BE1E-20448	12282	29.5	204	48	19.04	274.18
R-BE1E-21648	12419	29.5	216	48	20.16	290.3
R-BE1E-22848	12707	29.5	228	48	21.28	306.43
R-BE1E-24048	13250	29.5	240	48	22.4	322.56
R-BE1E-10860	8500	29.5	108	60	12.6	181.44
R-BE1E-12060	8751	29.5	120	60	14	201.6
R-BE1E-13260	9004	29.5	132	60	15.4	221.76
R-BE1E-14460	9264	29.5	144	60	16.8	241.92
R-BE1E-15660	9518	29.5	156	60	18.2	262.08
R-BE1E-16860	9770	29.5	168	60	19.6	282.24
R-BE1E-18060	10027	29.5	180	60	21	302.4
R-BE1E-19260	10282	29.5	192	60	22.4	322.56
R-BE1E-20460	13353	29.5	204	60	23.8	342.72
R-BE1E-21660	13518	29.5	216	60	25.2	362.88
R-BE1E-22860	13838	29.5	228	60	26.6	383.04
R-BE1E-24060	14159	29.5	240	60	28	403.2



What's Included:

- Steel bridge under structure.
- 1.5" thick laminate top plinth + gable covers.
- Two metal gables with removable laminate covers for wire management.
- Under bridge cover conceals all wires.
- Sizes 108" and 240" come with a horizontal plinth with fixed laminate covers + removable metal insert.

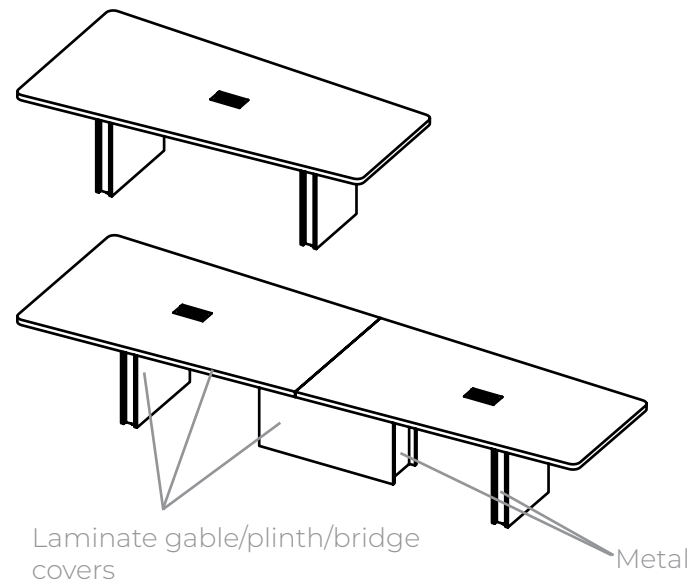
How to Specify:

- Laminate comes with automatically matching vinyl trim unless otherwise specified.
- Metal accent color.
- Plinth laminates and gable covers can match or contrast the chosen top color.
- Metal Gables, bridge, and plinth side covers are painted in matching powder paint color.

Options:

Width	72", 84", 96", 108", 120", 132", 144", 156", 168", 180", 192", 204", 216", 228", 240"
Depth	36", 42", 48", 60"
Worksurface Laminate Color	
Gable + Plinth Laminate Color	
Metal Accent Color	

Code	Price	Height (in)	Width (in)	Depth (in)	Volume (ft ³)	Weight (lb)
R-BV1N-7236	2714	29.5	72	36	5.04	72.58
R-BV1N-8436	2905	29.5	84	36	5.88	84.67
R-BV1N-9636	3054	29.5	96	36	6.72	96.77
R-BV1N-7242	3017	29.5	72	42	5.88	84.67
R-BV1N-8442	3168	29.5	84	42	6.86	98.78
R-BV1N-9642	3323	29.5	96	42	7.84	112.9
R-BV1N-10842	3484	29.5	108	42	8.82	127.01
R-BV1N-12042	3646	29.5	120	42	9.8	141.12
R-BV1N-8448	3361	29.5	84	48	7.84	112.9
R-BV1N-9648	3477	29.5	96	48	8.96	129.02
R-BV1N-10848	4711	29.5	108	48	10.08	145.15
R-BV1N-12048	4919	29.5	120	48	11.2	161.28
R-BV1N-13248	5420	29.5	132	48	12.32	177.41
R-BV1N-14448	5643	29.5	144	48	13.44	193.54
R-BV1N-15648	5864	29.5	156	48	14.56	209.66
R-BV1N-16848	6350	29.5	168	48	15.68	225.79
R-BV1N-18048	6438	29.5	180	48	16.8	241.92
R-BV1N-19248	6524	29.5	192	48	17.92	258.05
R-BV1N-20448	8172	29.5	204	48	19.04	274.18
R-BV1N-21648	8406	29.5	216	48	20.16	290.3
R-BV1N-22848	8637	29.5	228	48	21.28	306.43
R-BV1N-24048	9118	29.5	240	48	22.4	322.56
R-BV1N-10860	5661	29.5	108	60	12.6	181.44
R-BV1N-12060	5912	29.5	120	60	14	201.6
R-BV1N-13260	6166	29.5	132	60	15.4	221.76
R-BV1N-14460	6425	29.5	144	60	16.8	241.92
R-BV1N-15660	6681	29.5	156	60	18.2	262.08
R-BV1N-16860	6930	29.5	168	60	19.6	282.24
R-BV1N-18060	7191	29.5	180	60	21	302.4
R-BV1N-19260	7441	29.5	192	60	22.4	322.56
R-BV1N-20460	9207	29.5	204	60	23.8	342.72
R-BV1N-21660	9474	29.5	216	60	25.2	362.88
R-BV1N-22860	9735	29.5	228	60	26.6	383.04
R-BV1N-24060	9992	29.5	240	60	28	403.2



What's Included:

- Steel bridge under structure.
- 1.5" thick laminate top plinth + gable covers.
- Two metal gables with removable laminate covers for wire management.
- Under bridge cover conceals all wires.
- Sizes 108" and 240" come with a horizontal plinth with fixed laminate covers + removable metal insert.

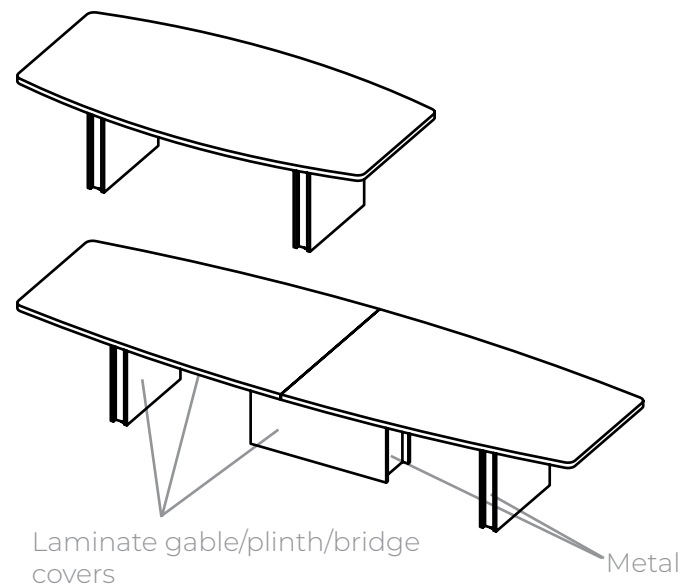
How to Specify:

- Laminate comes with automatically matching vinyl trim unless otherwise specified.
- Metal accent color.
- Plinth laminates and gable covers can match or contrast the chosen top color.
- Metal Gables, bridge, and plinth side covers are painted in matching powder paint color.

Options:

Width	72", 84", 96", 108", 120", 132", 144", 156", 168", 180", 192", 204", 216", 228", 240"
Depth	36", 42", 48", 60"
Worksurface Laminate Color	
Gable + Plinth Laminate Color	
Metal Accent Color	

Code	Price	Height (in)	Width (in)	Depth (in)	Volume (ft ³)	Weight (lb)
R-BV1E-7236	4056	29.5	72	36	5.04	72.58
R-BV1E-8436	4248	29.5	84	36	5.88	84.67
R-BV1E-9636	4397	29.5	96	36	6.72	96.77
R-BV1E-7242	4360	29.5	72	42	5.88	84.67
R-BV1E-8442	4511	29.5	84	42	6.86	98.78
R-BV1E-9642	4667	29.5	96	42	7.84	112.9
R-BV1E-10842	4826	29.5	108	42	8.82	127.01
R-BV1E-12042	4990	29.5	120	42	9.8	141.12
R-BV1E-8448	4705	29.5	84	48	7.84	112.9
R-BV1E-9648	4822	29.5	96	48	8.96	129.02
R-BV1E-10848	7397	29.5	108	48	10.08	145.15
R-BV1E-12048	7606	29.5	120	48	11.2	161.28
R-BV1E-13248	8256	29.5	132	48	12.32	177.41
R-BV1E-14448	8481	29.5	144	48	13.44	193.54
R-BV1E-15648	8700	29.5	156	48	14.56	209.66
R-BV1E-16848	9188	29.5	168	48	15.68	225.79
R-BV1E-18048	9277	29.5	180	48	16.8	241.92
R-BV1E-19248	9362	29.5	192	48	17.92	258.05
R-BV1E-20448	12282	29.5	204	48	19.04	274.18
R-BV1E-21648	12419	29.5	216	48	20.16	290.3
R-BV1E-22848	12707	29.5	228	48	21.28	306.43
R-BV1E-24048	13250	29.5	240	48	22.4	322.56
R-BV1E-10860	8500	29.5	108	60	12.6	181.44
R-BV1E-12060	8751	29.5	120	60	14	201.6
R-BV1E-13260	9004	29.5	132	60	15.4	221.76
R-BV1E-14460	9264	29.5	144	60	16.8	241.92
R-BV1E-15660	9518	29.5	156	60	18.2	262.08
R-BV1E-16860	9770	29.5	168	60	19.6	282.24
R-BV1E-18060	10027	29.5	180	60	21	302.4
R-BV1E-19260	10282	29.5	192	60	22.4	322.56
R-BV1E-20460	13353	29.5	204	60	23.8	342.72
R-BV1E-21660	13518	29.5	216	60	25.2	362.88
R-BV1E-22860	13838	29.5	228	60	26.6	383.04
R-BV1E-24060	14159	29.5	240	60	28	403.2



What's Included:

- Steel bridge under structure.
- 1.5" thick laminate top plinth + gable covers.
- Two metal gables with removable laminate covers for wire management.
- Under bridge cover conceals all wires.
- Sizes 108" and 240" come with a horizontal plinth with fixed laminate covers + removable metal insert.

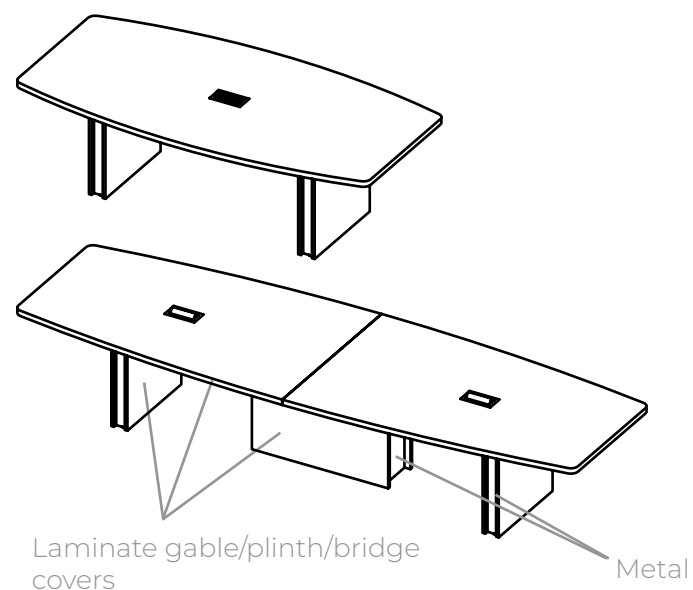
How to Specify:

- Laminate comes with automatically matching vinyl trim unless otherwise specified.
- Metal accent color.
- Plinth laminates and gable covers can match or contrast the chosen top color.
- Metal Gables, bridge, and plinth side covers are painted in matching powder paint color.

Options:

Width	72", 84", 96", 108", 120", 132", 144", 156", 168", 180", 192", 204", 216", 228", 240"
Depth	36", 42", 48", 60"
Worksurface Laminate Color	
Gable + Plinth Laminate Color	
Metal Accent Color	

Code	Price	Height (in)	Width (in)	Depth (in)	Volume (ft ³)	Weight (lb)
R-BB1N-7236	2714	29.5	72	36	5.04	72.58
R-BB1N-8436	2905	29.5	84	36	5.88	84.67
R-BB1N-9636	3054	29.5	96	36	6.72	96.77
R-BB1N-7242	3017	29.5	72	42	5.88	84.67
R-BB1N-8442	3168	29.5	84	42	6.86	98.78
R-BB1N-9642	3323	29.5	96	42	7.84	112.9
R-BB1N-10842	3484	29.5	108	42	8.82	127.01
R-BB1N-12042	3646	29.5	120	42	9.8	141.12
R-BB1N-8448	3361	29.5	84	48	7.84	112.9
R-BB1N-9648	3477	29.5	96	48	8.96	129.02
R-BB1N-10848	4711	29.5	108	48	10.08	145.15
R-BB1N-12048	4919	29.5	120	48	11.2	161.28
R-BB1N-13248	5420	29.5	132	48	12.32	177.41
R-BB1N-14448	5643	29.5	144	48	13.44	193.54
R-BB1N-15648	5864	29.5	156	48	14.56	209.66
R-BB1N-16848	6350	29.5	168	48	15.68	225.79
R-BB1N-18048	6438	29.5	180	48	16.8	241.92
R-BB1N-19248	6524	29.5	192	48	17.92	258.05
R-BB1N-20448	8172	29.5	204	48	19.04	274.18
R-BB1N-21648	8406	29.5	216	48	20.16	290.3
R-BB1N-22848	8637	29.5	228	48	21.28	306.43
R-BB1N-24048	9118	29.5	240	48	22.4	322.56
R-BB1N-10860	5661	29.5	108	60	12.6	181.44
R-BB1N-12060	5912	29.5	120	60	14	201.6
R-BB1N-13260	6166	29.5	132	60	15.4	221.76
R-BB1N-14460	6425	29.5	144	60	16.8	241.92
R-BB1N-15660	6681	29.5	156	60	18.2	262.08
R-BB1N-16860	6930	29.5	168	60	19.6	282.24
R-BB1N-18060	7191	29.5	180	60	21	302.4
R-BB1N-19260	7441	29.5	192	60	22.4	322.56
R-BB1N-20460	9207	29.5	204	60	23.8	342.72
R-BB1N-21660	9474	29.5	216	60	25.2	362.88
R-BB1N-22860	9735	29.5	228	60	26.6	383.04
R-BB1N-24060	9992	29.5	240	60	28	403.2



What's Included:

- Steel bridge under structure.
- 1.5" thick laminate top plinth + gable covers.
- Two metal gables with removable laminate covers for wire management.
- Under bridge cover conceals all wires.
- Sizes 108" and 240" come with a horizontal plinth with fixed laminate covers + removable metal insert.

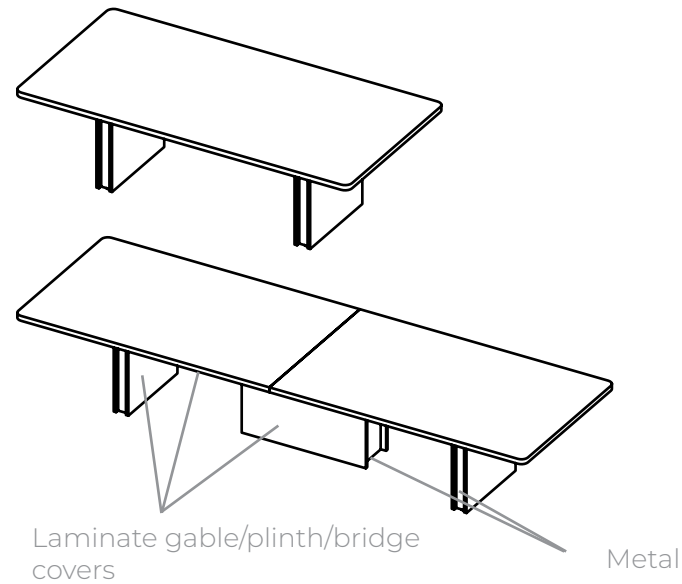
How to Specify:

- Laminate comes with automatically matching vinyl trim unless otherwise specified.
- Metal accent color.
- Plinth laminates and gable covers can match or contrast the chosen top color.
- Metal Gables, bridge, and plinth side covers are painted in matching powder paint color.

Options:

Width	72", 84", 96", 108", 120", 132", 144", 156", 168", 180", 192", 204", 216", 228", 240"
Depth	36", 42", 48", 60"
Worksurface Laminate Color	
Gable + Plinth Laminate Color	
Metal Accent Color	

Code	Price	Height (in)	Width (in)	Depth (in)	Volume (ft ³)	Weight (lb)
R-BB1E-7236	4056	29.5	72	36	5.04	72.58
R-BB1E-8436	4248	29.5	84	36	5.88	84.67
R-BB1E-9636	4397	29.5	96	36	6.72	96.77
R-BB1E-7242	4360	29.5	72	42	5.88	84.67
R-BB1E-8442	4511	29.5	84	42	6.86	98.78
R-BB1E-9642	4667	29.5	96	42	7.84	112.9
R-BB1E-10842	4826	29.5	108	42	8.82	127.01
R-BB1E-12042	4990	29.5	120	42	9.8	141.12
R-BB1E-8448	4705	29.5	84	48	7.84	112.9
R-BB1E-9648	4822	29.5	96	48	8.96	129.02
R-BB1E-10848	7397	29.5	108	48	10.08	145.15
R-BB1E-12048	7606	29.5	120	48	11.2	161.28
R-BB1E-13248	8256	29.5	132	48	12.32	177.41
R-BB1E-14448	8481	29.5	144	48	13.44	193.54
R-BB1E-15648	8700	29.5	156	48	14.56	209.66
R-BB1E-16848	9188	29.5	168	48	15.68	225.79
R-BB1E-18048	9277	29.5	180	48	16.8	241.92
R-BB1E-19248	9362	29.5	192	48	17.92	258.05
R-BB1E-20448	12282	29.5	204	48	19.04	274.18
R-BB1E-21648	12419	29.5	216	48	20.16	290.3
R-BB1E-22848	12707	29.5	228	48	21.28	306.43
R-BB1E-24048	13250	29.5	240	48	22.4	322.56
R-BB1E-10860	8500	29.5	108	60	12.6	181.44
R-BB1E-12060	8751	29.5	120	60	14	201.6
R-BB1E-13260	9004	29.5	132	60	15.4	221.76
R-BB1E-14460	9264	29.5	144	60	16.8	241.92
R-BB1E-15660	9518	29.5	156	60	18.2	262.08
R-BB1E-16860	9770	29.5	168	60	19.6	282.24
R-BB1E-18060	10027	29.5	180	60	21	302.4
R-BB1E-19260	10282	29.5	192	60	22.4	322.56
R-BB1E-20460	13353	29.5	204	60	23.8	342.72
R-BB1E-21660	13518	29.5	216	60	25.2	362.88
R-BB1E-22860	13838	29.5	228	60	26.6	383.04
R-BB1E-24060	14159	29.5	240	60	28	403.2



What's Included:

- Steel bridge under structure.
- 1.5" thick laminate top plinth + gable covers.
- Two metal gables with removable laminate covers for wire management.
- Under bridge cover conceals all wires.
- Sizes 108" and 240" come with a horizontal plinth with fixed laminate covers + removable metal insert.

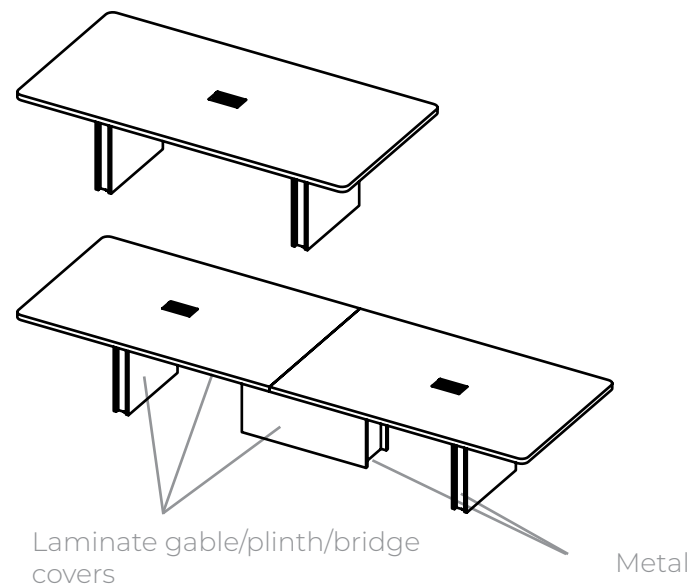
How to Specify:

- Laminate comes with automatically matching vinyl trim unless otherwise specified.
- Metal accent color.
- Plinth laminates and gable covers can match or contrast the chosen top color.
- Metal Gables, bridge, and plinth side covers are painted in matching powder paint color.

Options:

Width	72", 84", 96", 108", 120", 132", 144", 156", 168", 180", 192", 204", 216", 228", 240"
Depth	36", 42", 48", 60"
Worksurface Laminate Color	
Gable + Plinth Laminate Color	
Metal Accent Color	

Code	Price	Height (in)	Width (in)	Depth (in)	Volume (ft ³)	Weight (lb)
R-BS1N-7236	2714	29.5	72	36	5.04	72.58
R-BS1N-8436	2905	29.5	84	36	5.88	84.67
R-BS1N-9636	3054	29.5	96	36	6.72	96.77
R-BS1N-7242	3017	29.5	72	42	5.88	84.67
R-BS1N-8442	3168	29.5	84	42	6.86	98.78
R-BS1N-9642	3323	29.5	96	42	7.84	112.9
R-BS1N-10842	3484	29.5	108	42	8.82	127.01
R-BS1N-12042	3646	29.5	120	42	9.8	141.12
R-BS1N-8448	3361	29.5	84	48	7.84	112.9
R-BS1N-9648	3477	29.5	96	48	8.96	129.02
R-BS1N-10848	4711	29.5	108	48	10.08	145.15
R-BS1N-12048	4919	29.5	120	48	11.2	161.28
R-BS1N-13248	5420	29.5	132	48	12.32	177.41
R-BS1N-14448	5643	29.5	144	48	13.44	193.54
R-BS1N-15648	5864	29.5	156	48	14.56	209.66
R-BS1N-16848	6350	29.5	168	48	15.68	225.79
R-BS1N-18048	6438	29.5	180	48	16.8	241.92
R-BS1N-19248	6524	29.5	192	48	17.92	258.05
R-BS1N-20448	8172	29.5	204	48	19.04	274.18
R-BS1N-21648	8406	29.5	216	48	20.16	290.3
R-BS1N-22848	8637	29.5	228	48	21.28	306.43
R-BS1N-24048	9118	29.5	240	48	22.4	322.56
R-BS1N-10860	5661	29.5	108	60	12.6	181.44
R-BS1N-12060	5912	29.5	120	60	14	201.6
R-BS1N-13260	6166	29.5	132	60	15.4	221.76
R-BS1N-14460	6425	29.5	144	60	16.8	241.92
R-BS1N-15660	6681	29.5	156	60	18.2	262.08
R-BS1N-16860	6930	29.5	168	60	19.6	282.24
R-BS1N-18060	7191	29.5	180	60	21	302.4
R-BS1N-19260	7441	29.5	192	60	22.4	322.56
R-BS1N-20460	9207	29.5	204	60	23.8	342.72
R-BS1N-21660	9474	29.5	216	60	25.2	362.88
R-BS1N-22860	9735	29.5	228	60	26.6	383.04
R-BS1N-24060	9992	29.5	240	60	28	403.2



What's Included:

- Steel bridge under structure.
- 1.5" thick laminate top plinth + gable covers.
- Two metal gables with removable laminate covers for wire management.
- Under bridge cover conceals all wires.
- Sizes 108" and 240" come with a horizontal plinth with fixed laminate covers + removable metal insert.

How to Specify:

- Laminate comes with automatically matching vinyl trim unless otherwise specified.
- Metal accent color.
- Plinth laminates and gable covers can match or contrast the chosen top color.
- Metal Gables, bridge, and plinth side covers are painted in matching powder paint color.

Options:

Width	72", 84", 96", 108", 120", 132", 144", 156", 168", 180", 192", 204", 216", 228", 240"
Depth	36", 42", 48", 60"
Worksurface Laminate Color	
Gable + Plinth Laminate Color	
Metal Accent Color	

Code	Price	Height (in)	Width (in)	Depth (in)	Volume (ft ³)	Weight (lb)
R-BS1E-7236	4056	29.5	72	36	5.04	72.58
R-BS1E-8436	4248	29.5	84	36	5.88	84.67
R-BS1E-9636	4397	29.5	96	36	6.72	96.77
R-BS1E-7242	4360	29.5	72	42	5.88	84.67
R-BS1E-8442	4511	29.5	84	42	6.86	98.78
R-BS1E-9642	4667	29.5	96	42	7.84	112.9
R-BS1E-10842	4826	29.5	108	42	8.82	127.01
R-BS1E-12042	4990	29.5	120	42	9.8	141.12
R-BS1E-8448	4705	29.5	84	48	7.84	112.9
R-BS1E-9648	4822	29.5	96	48	8.96	129.02
R-BS1E-10848	7397	29.5	108	48	10.08	145.15
R-BS1E-12048	7606	29.5	120	48	11.2	161.28
R-BS1E-13248	8256	29.5	132	48	12.32	177.41
R-BS1E-14448	8481	29.5	144	48	13.44	193.54
R-BS1E-15648	8700	29.5	156	48	14.56	209.66
R-BS1E-16848	9188	29.5	168	48	15.68	225.79
R-BS1E-18048	9277	29.5	180	48	16.8	241.92
R-BS1E-19248	9362	29.5	192	48	17.92	258.05
R-BS1E-20448	12282	29.5	204	48	19.04	274.18
R-BS1E-21648	12419	29.5	216	48	20.16	290.3
R-BS1E-22848	12707	29.5	228	48	21.28	306.43
R-BS1E-24048	13250	29.5	240	48	22.4	322.56
R-BS1E-10860	8500	29.5	108	60	12.6	181.44
R-BS1E-12060	8751	29.5	120	60	14	201.6
R-BS1E-13260	9004	29.5	132	60	15.4	221.76
R-BS1E-14460	9264	29.5	144	60	16.8	241.92
R-BS1E-15660	9518	29.5	156	60	18.2	262.08
R-BS1E-16860	9770	29.5	168	60	19.6	282.24
R-BS1E-18060	10027	29.5	180	60	21	302.4
R-BS1E-19260	10282	29.5	192	60	22.4	322.56
R-BS1E-20460	13353	29.5	204	60	23.8	342.72
R-BS1E-21660	13518	29.5	216	60	25.2	362.88
R-BS1E-22860	13838	29.5	228	60	26.6	383.04
R-BS1E-24060	14159	29.5	240	60	28	403.2



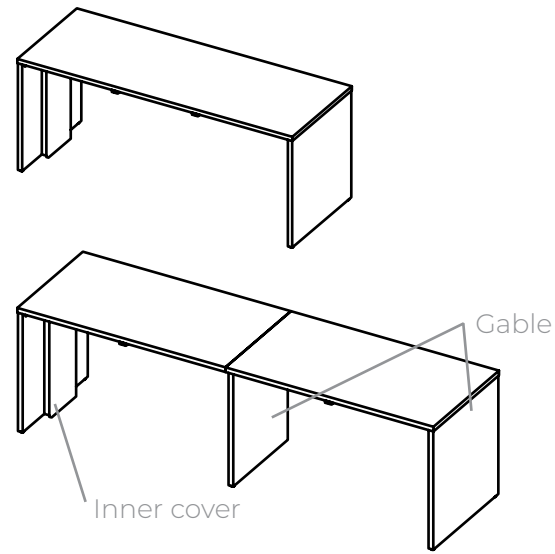
Tables Pricebook
February 2024
Kip Tables

Kip tables

community table without power and data	46
community table with power and data	48

Add-on Kits

Code	Price	Description
V-ESMU-A	179	USB ADAPTER (1EA USB A & C PORTS WITH ADAPTER)
R-ESMU-K	#N/A	USB KIT (4EA DUAL USB PORTS WITH HUB)



What's Included:

- 1.5" laminate top & gables.
- Aluminum bridge under structure.

How to Specify:

Gables and tops are to be selected from 1.5" laminate selection.

Inner covers November match the tops and gables or can be selected from a contrasting finish.

All metal components have an unified finish.

Laminates surface will automatically come with matching configured trim unless otherwise specified.

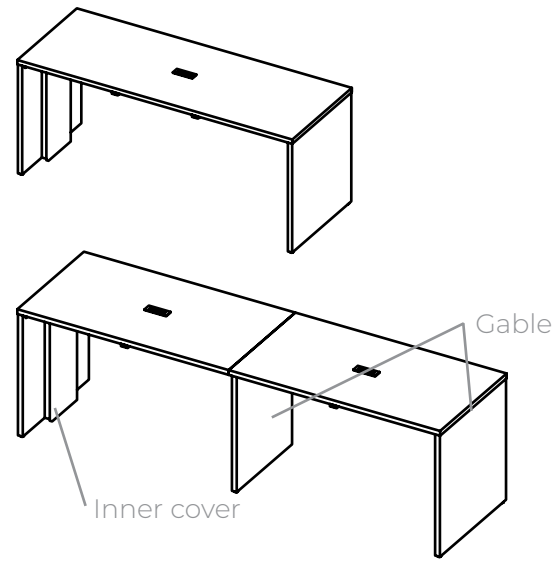
Notes:

- Sizes between 60"-96" come as a one-piece top.
- Sizes between 108"-144" come as a two-piece top.
- Tables longer than 96" come with a mid-gable.

Options:

Width	60", 72", 84", 96", 108", 120", 144"
Depth	30", 36", 42"
Outershell	Laminate Color
Inner Cover	Laminate Color
Metal Accent	Color

Code	Price	Height (in)	Width (in)	Depth (in)	Volume (ft ³)	Weight (lb)
R-PT2N-6030	5665	42	60	30	5	72
R-PT2N-7230	5749	42	72	30	6	86.4
R-PT2N-8430	5793	42	84	30	7	100.8
R-PT2N-9630	5878	42	96	30	8	115.2
R-PT2N-6036	5667	42	60	36	6	86.4
R-PT2N-7236	5753	42	72	36	7.2	103.68
R-PT2N-8436	5795	42	84	36	8.4	120.96
R-PT2N-9636	5881	42	96	36	9.6	138.24
R-PT2N-10836	8668	42	108	36	10.8	155.52
R-PT2N-12036	8760	42	120	36	12	172.8
R-PT2N-13236	8850	42	132	36	13.2	190.08
R-PT2N-14436	8941	42	144	36	14.4	207.36
R-PT2N-7242	5756	42	72	42	8.4	120.96
R-PT2N-8442	5797	42	84	42	9.8	141.12
R-PT2N-9642	5884	42	96	42	11.2	161.28
R-PT2N-10842	8674	42	108	42	12.6	181.44
R-PT2N-12042	8767	42	120	42	14	201.6
R-PT2N-13242	8854	42	132	42	15.4	221.76
R-PT2N-14442	8946	42	144	42	16.8	241.92



What's Included:

- 1.5" laminate top & gables.
- Aluminum bridge under structure.

How to Specify:

- Gables and tops are to be selected from 1.5" laminate selection.
- Inner covers November match the tops and gables or can be selected from a contrasting finish.
- All metal components have an unified finish.
- Laminates surface will automatically come with matching configured trim unless otherwise specified.

Notes:

- Sizes between 60"-96" come as a one-piece top.
- Sizes between 108"-144" come as a two-piece top.
- Tables longer than 96" come with a mid-gable.
- Tops between 60"-96" come with one flush surface power unit consisting of 2 power & 2 USB.
- Tops from 108"-144" come with two power units, consisting of 2 power & 2 USB.
- When choosing optional side-mounted USB:
 - Tables without mid-legs have 4 USB power modules.
 - Up to 4 side mount USB units can be connected to one hub.

Options:

Width	60", 72", 84", 96", 108", 120", 144"
Depth	30", 36", 42"
Outershell	Laminate Color
Inner Cover	Laminate Color
Metal Accent	Color

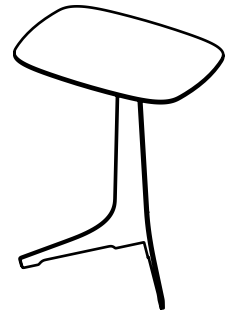
Code	Price	Height (in)	Width (in)	Depth (in)	Volume (ft ³)	Weight (lb)
R-PT2P-6030	6489	42	60	30	5	72
R-PT2P-7230	6580	42	72	30	6	86.4
R-PT2P-8430	6673	42	84	30	7	100.8
R-PT2P-9630	6767	42	96	30	8	115.2
R-PT2P-6036	6493	42	60	36	6	86.4
R-PT2P-7236	6585	42	72	36	7.2	103.68
R-PT2P-8436	6679	42	84	36	8.4	120.96
R-PT2P-9636	6770	42	96	36	9.6	138.24
R-PT2P-10836	10101	42	108	36	10.8	155.52
R-PT2P-12036	10193	42	120	36	12	172.8
R-PT2P-13236	10285	42	132	36	13.2	190.08
R-PT2P-14436	10376	42	144	36	14.4	207.36
R-PT2P-7242	6589	42	72	42	8.4	120.96
R-PT2P-8442	6681	42	84	42	9.8	141.12
R-PT2P-9642	6772	42	96	42	11.2	161.28
R-PT2P-10842	10105	42	108	42	12.6	181.44
R-PT2P-12042	10197	42	120	42	14	201.6
R-PT2P-13242	10288	42	132	42	15.4	221.76
R-PT2P-14442	10378	42	144	42	16.8	241.92



Tables Pricebook
February 2024
Koko Tables

Koko tables

<u>rectangular table</u>	52
<u>round table</u>	53



What's Included:

Aluminum rectangular laptop table.

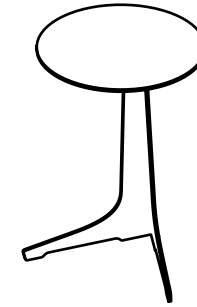
How to Specify:

Metal paint color.

Options:

Metal color

Code	Price	Height (in)	Width (in)	Depth (in)	Volume (ft ³)	Weight (lb)
R-PTR-242014	1117	24	20	14	4	26.88



What's Included:

Aluminum round laptop table.

How to Specify:

Metal paint color.

Options:

Metal Color

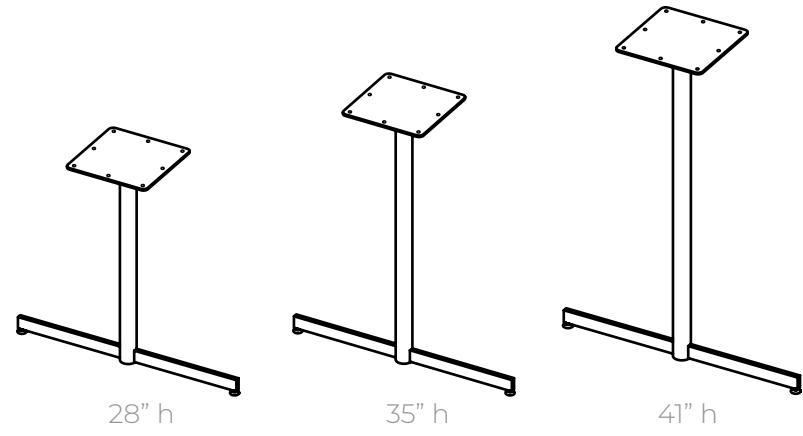
Code	Price	Height (in)	Width (in)	Depth (in)	Volume (ft ³)	Weight (lb)
R-PTO-241616	1117	24	16	16	4	24.58



Tables Pricebook
February 2024
Hanna

Hanna tables

T base - slim	56
T base - tubular	58
X base - slim	60
X base - tubular	62
super ellipse top	64
round top	66
squircle top	68
rectangular top	70
square top	72



What's Included:

One (1) metal slim T base.

How to Specify:

T bases should be specified in two's.

Metal color.

24"d top - 16" spread

30"d top - 18" spread

36"d top - 22" spread

42"d top - 30" spread

48"d top - 34" spread

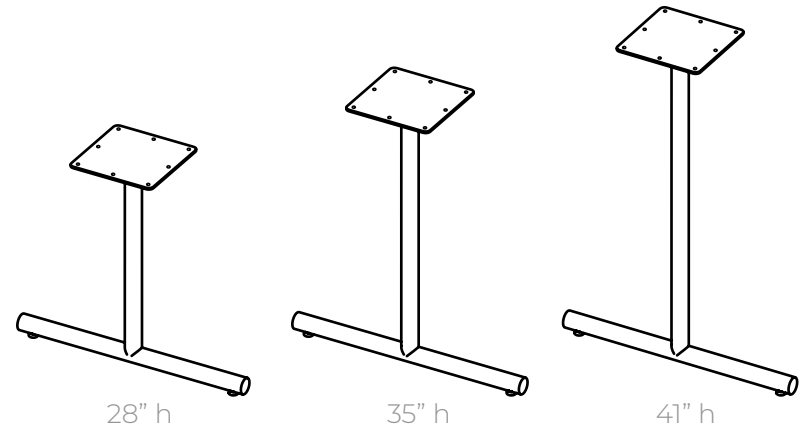
Options:

Spread 16", 18", 22", 30", 34"

Height 28", 35", 41"

Metal Color

Code	Price	Height (in)	Spread (in)	Volume (ft ³)	Weight (lb)
R-HSB-T-1628	802	28	16	8	Slim T Base
R-HSB-T-1828	809	28	18	9	14
R-HSB-T-2228	808	28	22	11	14
R-HSB-T-3028	819	28	30	15	14
R-HSB-T-3428	849	28	34	17	14
R-HSB-T-1635	1129	35	16	11.5	17.5
R-HSB-T-1835	1133	35	18	12.5	17.5
R-HSB-T-2235	1137	35	22	14.5	17.5
R-HSB-T-3035	1146	35	30	18.5	17.5
R-HSB-T-3435	1177	35	34	20.5	17.5
R-HSB-T-1641	1129	41	16	14.5	20.5
R-HSB-T-1841	1133	41	18	15.5	20.5
R-HSB-T-2241	1137	41	22	17.5	20.5
R-HSB-T-3041	1146	41	30	21.5	20.5
R-HSB-T-3441	1177	41	34	23.5	20.5



What's Included:

One (1) metal tubular T base.

How to Specify:

T bases should be specified in two's.

Metal color.

24"d top - 16" spread

30"d top - 18" spread

36"d top - 22" spread

42"d top - 30" spread

48"d top - 34" spread

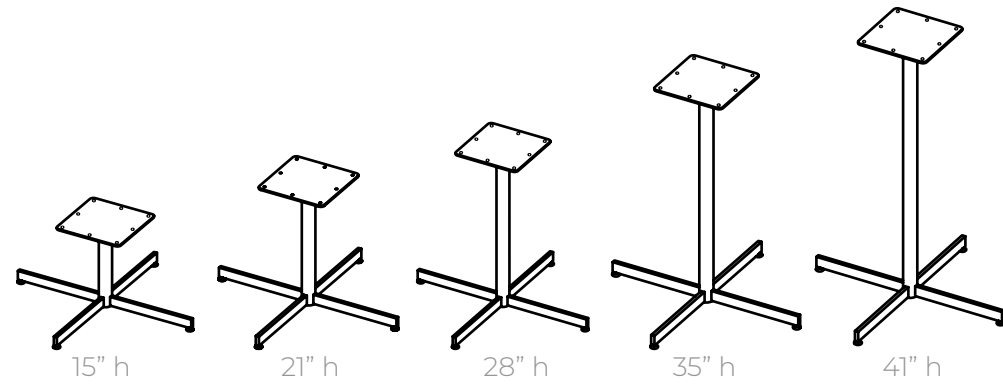
Options:

Spread 16", 18", 22", 30", 34"

Height 28", 35", 41"

Metal Color

Code	Price	Height (in)	Spread (in)	Volume (ft3)	Weight (lb)
R-HTB-T-1628	802	28	16	8	Tubular T Base
R-HTB-T-1828	805	28	18	9	14
R-HTB-T-2228	808	28	22	11	14
R-HTB-T-3028	819	28	30	15	14
R-HTB-T-3428	1076	28	34	17	14
R-HTB-T-1635	1059	35	16	11.5	17.5
R-HTB-T-1835	1061	35	18	12.5	17.5
R-HTB-T-2235	1064	35	22	14.5	17.5
R-HTB-T-3035	1076	35	30	18.5	17.5
R-HTB-T-3435	1372	35	34	20.5	17.5
R-HTB-T-1641	1129	41	16	14.5	20.5
R-HTB-T-1841	1133	41	18	15.5	20.5
R-HTB-T-2241	1137	41	22	17.5	20.5
R-HTB-T-3041	1146	41	30	21.5	20.5
R-HTB-T-3441	1441	41	34	23.5	20.5



What's Included:

One (1) metal slim X base.

How to Specify:

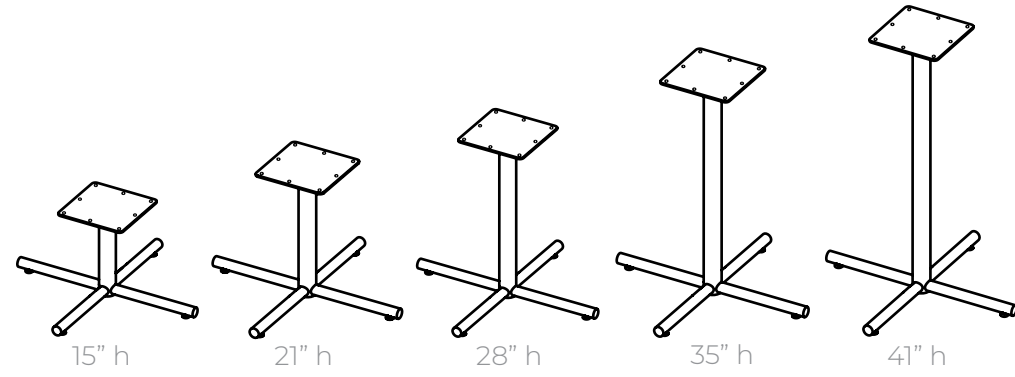
Metal color.

Round	Square	Squircle	Rectangular & Super Ellipse
24"dia - 18" spread	18"d - 18" spread	24"d - 22" spread	24"d - 18" spread
30"dia - 22" spread	24"d - 22" spread	30"d - 26" spread	30"d - 22" spread
36"dia - 26" spread	30"d - 26" spread	36"d - 30" spread	36"d - 26" spread
42"dia - 30" spread	36"d - 30" spread	42"d - 34" spread	42"d - 30" spread
48"dia - 34" spread	42"d - 34" spread		48"d - 34" spread
54"dia - 42" spread			
60"dia - 48" spread			

Options:

Spread	18", 22", 26", 30", 34", 42", 48"
Height	15", 21", 28", 35", 41"
Metal Color	

Code	Price	Height (in)	Spread (in)	Volume (ft ³)	Weight (lb)
R-HSB-X-1615	1064	15	16	8	Slim X Base
R-HSB-X-1815	1073	15	18	9.5	7.5
R-HSB-X-2215	1100	15	22	11.5	7.5
R-HSB-X-2615	1138	15	26	13.5	7.5
R-HSB-X-3015	1179	15	30	15.5	7.5
R-HSB-X-3415	1215	15	34	17.5	7.5
R-HSB-X-1621	1064	21	16	9	10.5
R-HSB-X-1821	1073	21	18	10.5	10.5
R-HSB-X-2221	1100	21	22	12.5	10.5
R-HSB-X-2621	1138	21	26	14.5	10.5
R-HSB-X-3021	1179	21	30	16.5	10.5
R-HSB-X-3421	1215	21	34	18.5	10.5
R-HSB-X-1628	1064	28	16	12	14
R-HSB-X-1828	1073	28	18	13.5	14
R-HSB-X-2228	1100	28	22	15.5	14
R-HSB-X-2628	1138	28	26	17.5	14
R-HSB-X-3028	1179	28	30	19.5	14
R-HSB-X-3428	1215	28	34	21.5	14
R-HSB-X-1635	1395	35	16	15	17.5
R-HSB-X-1835	1401	35	18	16.5	17.5
R-HSB-X-2235	1429	35	22	18.5	17.5
R-HSB-X-2635	1466	35	26	20.5	17.5
R-HSB-X-3035	1507	35	30	22.5	17.5
R-HSB-X-3435	1542	35	34	24.5	17.5
R-HSB-X-1641	1395	41	16	17	20.5
R-HSB-X-1841	1401	41	18	18.5	20.5
R-HSB-X-2241	1429	41	22	20.5	20.5
R-HSB-X-2641	1466	41	26	22.5	20.5
R-HSB-X-3041	1507	41	30	24.5	20.5
R-HSB-X-3441	1542	41	34	26.5	20.5



What's Included:

One (1) metal tubular X base.

How to Specify:

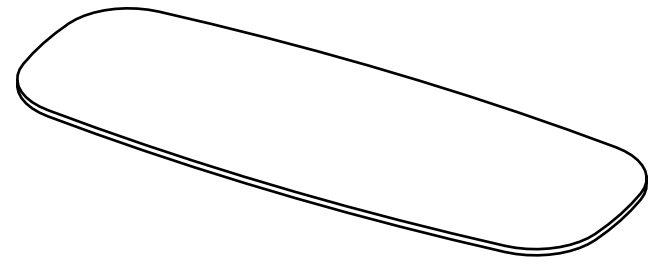
Metal color.

Round	Square	Squircle	Rectangular & Super Ellipse
24"dia - 18" spread	18"d - 18" spread	24"d - 22" spread	24"d - 18" spread
30"dia - 22" spread	24"d - 22" spread	30"d - 26" spread	30"d - 22" spread
36"dia - 26" spread	30"d - 26" spread	36"d - 30" spread	36"d - 26" spread
42"dia - 30" spread	36"d - 30" spread	42"d - 34" spread	42"d - 30" spread
48"dia - 34" spread	42"d - 34" spread		48"d - 34" spread
54"dia - 42" spread			
60"dia - 48" spread			

Options:

Spread	18", 22", 26", 30", 34", 42", 48"
Height	15", 21", 28", 35", 41"
Metal Color	

Code	Price	Height (in)	Spread (in)	Volume (ft ³)	Weight (lb)
R-HTB-X-1615	1064	15	16	8	7.5
R-HTB-X-1815	1073	15	18	9.5	7.5
R-HTB-X-2215	1100	15	22	11.5	7.5
R-HTB-X-2615	1138	15	26	13.5	7.5
R-HTB-X-3015	1179	15	30	15.5	7.5
R-HTB-X-3415	1408	15	34	17.5	7.5
R-HTB-X-4215	1822	15	42	21.5	7.5
R-HTB-X-4815	2048	15	48	24.5	7.5
R-HTB-X-1621	1064	21	16	9	10.5
R-HTB-X-1821	1073	21	18	10.5	10.5
R-HTB-X-2221	1100	21	22	12.5	10.5
R-HTB-X-2621	1138	21	26	14.5	10.5
R-HTB-X-3021	1179	21	30	16.5	10.5
R-HTB-X-3421	1408	21	34	18.5	10.5
R-HTB-X-4221	1822	21	42	22.5	10.5
R-HTB-X-4821	2048	21	48	25.5	10.5
R-HTB-X-1628	1064	28	16	12	14
R-HTB-X-1828	1073	28	18	13.5	14
R-HTB-X-2228	1100	28	22	15.5	14
R-HTB-X-2628	1138	28	26	17.5	14
R-HTB-X-3028	1179	28	30	19.5	14
R-HTB-X-3428	1408	28	34	21.5	14
R-HTB-X-4228	1822	28	42	25.5	14
R-HTB-X-4828	2048	28	48	28.5	14
R-HTB-X-1635	1429	35	16	15	17.5
R-HTB-X-1835	1436	35	18	16.5	17.5
R-HTB-X-2235	1466	35	22	18.5	17.5
R-HTB-X-2635	1502	35	26	20.5	17.5
R-HTB-X-3035	1542	35	30	22.5	17.5
R-HTB-X-3435	1657	35	34	24.5	17.5
R-HTB-X-4235	2070	35	42	28.5	17.5
R-HTB-X-4835	2387	35	48	31.5	17.5
R-HTB-X-1641	1429	41	16	17	20.5
R-HTB-X-1841	1436	41	18	18.5	20.5
R-HTB-X-2241	1466	41	22	20.5	20.5
R-HTB-X-2641	1502	41	26	22.5	20.5
R-HTB-X-3041	1542	41	30	24.5	20.5
R-HTB-X-3441	1657	41	34	26.5	20.5
R-HTB-X-4241	2070	41	42	30.5	20.5
R-HTB-X-4841	2387	41	48	33.5	20.5



What's Included:

1" laminate surface.

How to Specify:

Must be specified with two bases.

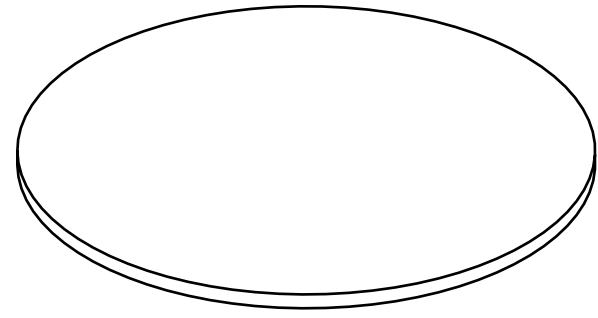
Options:

Width 30", 36", 42", 48", 54", 60", 66", 72", 78", 84", 90", 96"

Depth 24", 30", 36", 42", 48"

Worksurface Laminate

Code	Price	Height (in)	Width (in)	Depth (in)	Volume (ft ³)	Weight (lb)
R-TE0N-3024	443	1	30	24	0.4	14.4
R-TE0N-3624	449	1	36	24	0.48	17.28
R-TE0N-4224	510	1	42	24	0.56	20.16
R-TE0N-4824	536	1	48	24	0.64	23.04
R-TE0N-5424	619	1	54	24	0.72	25.92
R-TE0N-6024	644	1	60	24	0.8	28.8
R-TE0N-6624	697	1	66	24	0.88	31.68
R-TE0N-7224	726	1	72	24	0.96	34.56
R-TE0N-7824	781	1	78	24	1.04	37.44
R-TE0N-8424	832	1	84	24	1.12	40.32
R-TE0N-9024	933	1	90	24	1.2	43.2
R-TE0N-9624	995	1	96	24	1.28	46.08
R-TE0N-4230	552	1	42	30	0.7	25.2
R-TE0N-4830	585	1	48	30	0.8	28.8
R-TE0N-5430	642	1	54	30	0.9	32.4
R-TE0N-6030	669	1	60	30	1	36
R-TE0N-6630	747	1	66	30	1.1	39.6
R-TE0N-7230	764	1	72	30	1.2	43.2
R-TE0N-7830	819	1	78	30	1.3	46.8
R-TE0N-8430	876	1	84	30	1.4	50.4
R-TE0N-9030	982	1	90	30	1.5	54
R-TE0N-9630	1049	1	96	30	1.6	57.6
R-TE0N-6036	696	1	60	36	1.2	43.2
R-TE0N-6636	777	1	66	36	1.32	47.52
R-TE0N-7236	793	1	72	36	1.44	51.84
R-TE0N-7836	848	1	78	36	1.56	56.16
R-TE0N-8436	909	1	84	36	1.68	60.48
R-TE0N-9036	1017	1	90	36	1.8	64.8
R-TE0N-9636	1087	1	96	36	1.92	69.12
R-TE0N-8442	994	1	84	42	1.96	70.56
R-TE0N-9042	1102	1	90	42	2.1	75.6
R-TE0N-9642	1169	1	96	42	2.24	80.64
R-TE0N-8448	1079	1	84	48	2.24	80.64
R-TE0N-9048	1198	1	90	48	2.4	86.4
R-TE0N-9648	1272	1	96	48	2.56	92.16



What's Included:

1" laminate surface.

How to Specify:

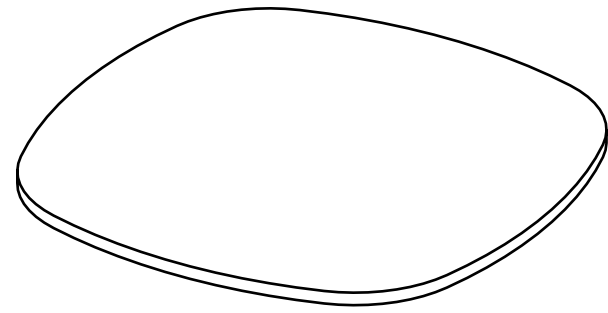
Must be specified with X-base.

Options:

Diameter 24", 30", 36", 42", 48", 54", 60"

Worksurface Laminate

Code	Price	Height (in)	Width (in)	Depth (in)	Volume (ft ³)	Weight (lb)
R-TO0N-24	563	1	24	24	0.32	11.52
R-TO0N-30	617	1	30	30	0.5	18
R-TO0N-36	630	1	36	36	0.72	25.92
R-TO0N-42	667	1	42	42	0.98	35.28
R-TO0N-48	683	1	48	48	1.28	46.08
R-TO0N-54	782	1	54	54	1.28	52.23
R-TO0N-60	902	1	60	60	1.38	56.32



What's Included:

1" laminate surface.

How to Specify:

Must be specified with a X-base.

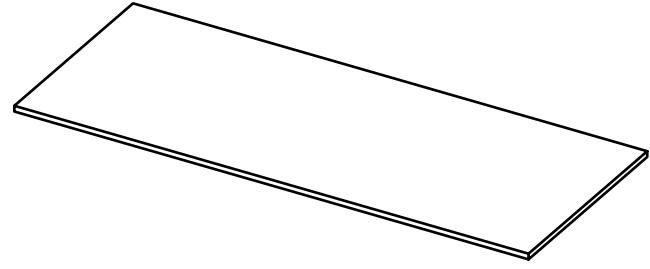
Options:

Width 24", 30", 36", 42", 48"

Depth 24", 30", 36", 42"

Worksurface Laminate

Code	Price	Height (in)	Width (in)	Depth (in)	Volume (ft ³)	Weight (lb)
R-TQ0N-2424	563	1	24	24	0.32	11.52
R-TQ0N-3030	617	1	30	30	0.5	18
R-TQ0N-3636	630	1	36	36	0.72	25.92
R-TQ0N-4242	667	1	42	42	0.98	35.28



What's Included:

1" laminate surface.

How to Specify:

Must be specified with two bases.

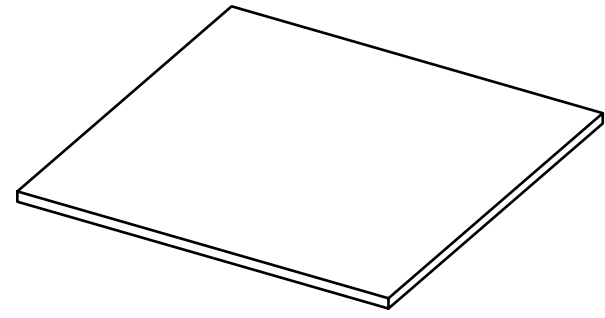
Options:

Width 30", 36", 42", 48", 54", 60", 66", 72", 78", 84", 90", 96"

Depth 18", 24", 30", 36", 42", 48"

Worksurface Laminate

Code	Price	Height (in)	Width (in)	Depth (in)	Volume (ft ³)	Weight (lb)
R-TR0N-3024	294	1	30	24	0.4	14.4
R-TR0N-3624	299	1	36	24	0.48	17.28
R-TR0N-4224	359	1	42	24	0.56	20.16
R-TR0N-4824	385	1	48	24	0.64	23.04
R-TR0N-5424	470	1	54	24	0.72	25.92
R-TR0N-6024	496	1	60	24	0.8	28.8
R-TR0N-6624	548	1	66	24	0.88	31.68
R-TR0N-7224	576	1	72	24	0.96	34.56
R-TR0N-7824	631	1	78	24	1.04	37.44
R-TR0N-8424	683	1	84	24	1.12	40.32
R-TR0N-9024	782	1	90	24	1.2	43.2
R-TR0N-9624	846	1	96	24	1.28	46.08
R-TR0N-4230	403	1	42	30	0.7	25.2
R-TR0N-4830	435	1	48	30	0.8	28.8
R-TR0N-5430	492	1	54	30	0.9	32.4
R-TR0N-6030	520	1	60	30	1	36
R-TR0N-6630	598	1	66	30	1.1	39.6
R-TR0N-7230	614	1	72	30	1.2	43.2
R-TR0N-7830	669	1	78	30	1.3	46.8
R-TR0N-8430	726	1	84	30	1.4	50.4
R-TR0N-9030	831	1	90	30	1.5	54
R-TR0N-9630	899	1	96	30	1.6	57.6
R-TR0N-6036	547	1	60	36	1.2	43.2
R-TR0N-6636	626	1	66	36	1.32	47.52
R-TR0N-7236	642	1	72	36	1.44	51.84
R-TR0N-7836	697	1	78	36	1.56	56.16
R-TR0N-8436	759	1	84	36	1.68	60.48
R-TR0N-9036	869	1	90	36	1.8	64.8
R-TR0N-9636	936	1	96	36	1.92	69.12
R-TR0N-8442	844	1	84	42	1.96	70.56
R-TR0N-9042	952	1	90	42	2.1	75.6
R-TR0N-9642	1021	1	96	42	2.24	80.64
R-TR0N-8448	929	1	84	48	2.24	80.64
R-TR0N-9048	1048	1	90	48	2.4	86.4
R-TR0N-9648	1105	1	96	48	2.56	92.16



What's Included:

1" laminate surface.

How to Specify:

Must be specified with a X-base.

Options:

Width 18", 24", 30", 36", 42", 48", 54"

Depth 18", 24", 30", 36", 42", 48", 54"

Worksurface Laminate

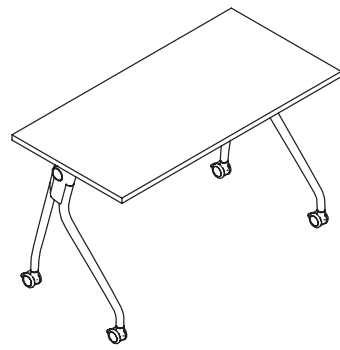
Code	Price	Height (in)	Width (in)	Depth (in)	Volume (ft ³)	Weight (lb)
R-TS0N-1818	349	1	18	18	0.18	6.48
R-TS0N-2424	379	1	24	24	0.32	11.52
R-TS0N-3030	409	1	30	30	0.5	18
R-TS0N-3636	449	1	36	36	0.72	25.92
R-TS0N-4242	573	1	42	42	0.98	35.28



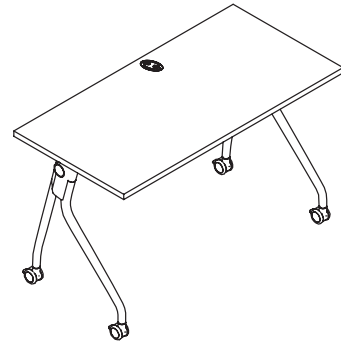
Tables Pricebook
January 2024
One-touch

One-touch tables

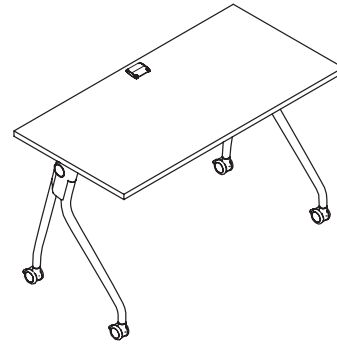
<u>flip-top mobile</u>	76
<u>power, data and wire management</u>	78
<u>accessories</u>	80



One-Touch Flip-Top Mobile Table Without Grommets



One-Touch Flip-Top Mobile Table With Grommets



One-Touch Flip-Top Mobile Table With Power and Data Grommet

How to Specify:

The One-touch flip-top mobile table base is silver only.

The edge trim color will default to match the finish of the worksurface unless otherwise specified.

Notes:

The One-touch flip-top mobile table is available in depths of 24 and 30 inches, and widths of 48, 60, and 72 inches, and is standard with a 4 inch charcoal laminate modesty.

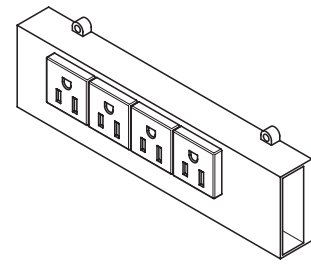
The One-touch flip-top mobile table easily collapses by pressing the button on either side of the table base. Once in the collapsed position, tables can be nested together when not in use.

Casters on the One-touch flip-top mobile table are lockable.

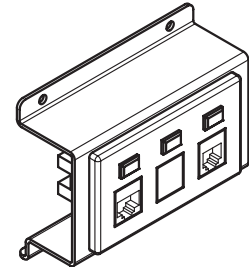
A metal modesty panel, tray, and variety of power and wire management options can be specified separately to increase the functionality of the One-touch flip-top mobile table.

When the grommet is specified, it will be centrally located along the back edge of the worksurface. The One-touch flip-top table is shipped knocked down.

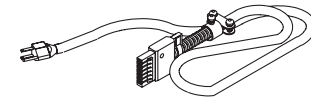
Code	Price	H	W	D	Weight (lb.)	Volume (ft ³)
One-Touch Flip-Top Mobile Table Without Grommets						
Y-TS0N-4824	1586	29	48	24	12.95	19.33
Y-TS0N-6024	1862	29	60	24	14.95	24.17
Y-TS0N-7224	1983	29	72	24	16.95	29
Y-TS0N-4830	1651	29	48	30	14.5	24.17
Y-TS0N-6030	1936	29	60	30	17	30.21
Y-TS0N-7230	2060	29	72	30	20	36.25
One-Touch Flip-Top Mobile Table With Grommets						
Y-TS0G-4824	1680	29	48	24	12.95	19.33
Y-TS0G-6024	1958	29	60	24	14.95	24.17
Y-TS0G-7224	2077	29	72	24	16.95	29
Y-TS0G-4830	1742	29	48	30	14.5	24.17
Y-TS0G-6030	2033	29	60	30	17	30.21
Y-TS0G-7230	2154	29	72	30	20	36.25
One-Touch Flip-Top Mobile Table With Power and Data Grommet						
Y-TS0E-4824	2038	29	48	24	12.95	19.33
Y-TS0E-6024	2313	29	60	24	14.95	24.17
Y-TS0E-7224	2435	29	72	24	16.95	29
Y-TS0E-4830	2102	29	48	30	14.5	24.17
Y-TS0E-6030	2390	29	60	30	17	30.21
Y-TS0E-7230	2530	29	72	30	20	36.25



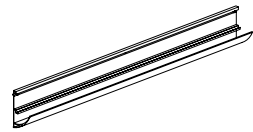
Trough Mounted Power Box



Trough Mounted Data Box



Electrical Starter



Horizontal Wire Management Trough

How to Specify:

The trough mounted data box and trough mounted power box are silver only.

Refer to local codes for limits or restrictions on harness length.

Notes:

The trough mounted power and data boxes can be fastened to the horizontal wire management trough when power, data and communication access is required below the worksurface.

The trough mounted power box does not come with any electrical harnesses.

The trough mounted data box does not come with any data cables.

Y-EPT-1 trough mounted data box comes equipped with one RJ11 outlet, and one RJ45 outlet.

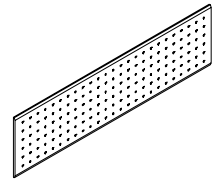
Y-EPT-2 trough mounted data box comes equipped with two RJ11 outlets.

Y-EPT-3 trough mounted data box comes equipped with one RJ11 outlet, and two RJ45 outlets.

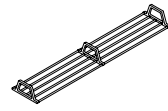
Y-EPT-6 trough mounted data box comes equipped with two RJ45 outlets.

The electrical starter has one male end while the other end is meant to plug directly into a power outlet.

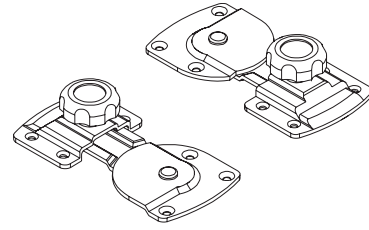
Code	Price	H	W	D	Weight (lb.)	Volume (ft ³)
Trough Mounted Power Box						
Y-EMT-1111	222	3	8	2	0.02	0.6
Trough Mounted Data Box						
Y-EPT-1	189	3	4	1	0.6	0.02
Y-EPT-2	189	3	4	1	0.6	0.02
Y-EPT-3	278	3	4	1	0.6	0.02
Y-EPT-6	206	3	4	1	0.6	0.02
Electrical Starter						
Y-ESP1-096	610	0	96	0	0.5	1.2
Power & Data Grommet, Byrne Type 1						
Y-EGB	661	-	-	-	1	0
Horizontal Wire Management Trough						
Y-EWHT-48	#N/A	-	48	-	2.4	4.8
Y-EWHT-60	#N/A	-	60	-	3	6
Y-EWHT-72	#N/A	-	72	-	3.6	7.2



Modesty Panel



Accessory Tray



Ganging Mechanism

How to Specify:

The modesty panel is charcoal only.

The accessory tray is silver only.

The ganging mechanism is black only.

Notes:

The ganging mechanism fits into the pre-drilled holes on the underside of the one-touch table.

Ganging mechanisms are available in pairs.

Code	Price	H	W	D	Weight (lb.)	Volume (ft ³)
Modesty Panel						
Y-MMOD-48	243	14	48	0	2.5	0.14
Y-MMOD-60	278	14	60	0	3.25	0.19
Y-MMOD-72	347	14	72	0	4	0.23
Accessory Tray						
Y-TRAY-48	143	4	48	10	0.45	1.04
Y-TRAY-60	170	4	60	10	0.82	1.18
Y-TRAY-72	178	4	72	10	0.96	1.42
Ganging Mechanism						
Y-AGM0	133	0	2	1	0.01	0.01



Tables Pricebook

March 2015

Media tables

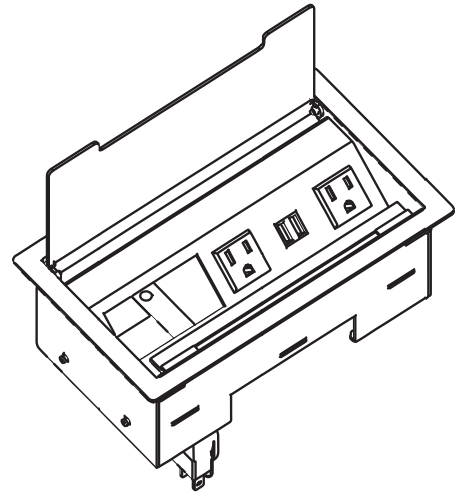
Media tables

Power & Data Options	88
Wire Management & Power & Data Location	91
Rectangle Media Table, Seated Height	92
Rectangle Media Table, Counter Height	93
Rectangle Media Table, Bar Height	94
Bullet End Media Table, Seated Height	95
Bullet End Media Table, Counter Height	96
Bullet End Media Table, Bar Height	97
Trapezoid Media Table, Seated Height	98
Trapezoid Media Table, Counter Height	99
Trapezoid Media Table, Bar Height	100
Tiered Parsons Table	101

Meetings and presentations made easy. Media Tables are available in a large selection of sizes to fit every office space. A large back panel allows for sturdy mounting of extra wide monitors or TV screens. Easy access integrated wire management ensures that all the cables stay hidden and organized. Available with several standard electric and data options for easy ordering in addition to endless custom possibilities.



AF2RE: Interact G2 Power Module



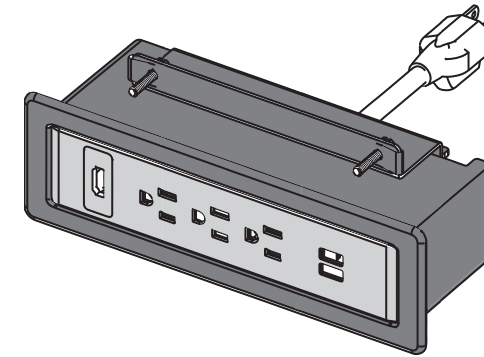
AF2RE	FINISH	
FEATURES & SPECIFICATIONS	PRICE (BLACK, SILVER, WHITE)	PRICE (ANODIZED ALUMINUM, STAINLESS STEEL)
<ul style="list-style-type: none"> Two power outlets on top Additional power outlet on bottom for daisy chaining Two USB ports Hinged lid with brush gasket 144" Black corded plug Finish options: black, silver or white, Brushed anodized aluminum, brushed stainless steel Product ships with blank plate unless additional options below are selected when ordering 	1,221	1,921

OPTION	FEATURE(S)	PRICE
A	HDMI	ADD 363
B	RJ45 CAT6	ADD 225
C	(2) RJ45 CAT6	ADD 447
D	(3) RJ45 CAT6	ADD 670
E	RJ11 CAT3, RJ45 CAT6, USB	ADD 752
F	RJ11 CAT3, RJ45 CAT6	ADD 337
G	RJ11 CAT3, (2) RJ45 CAT6	ADD 558
H	(3) RJ45 CAT5E	ADD 670
J	VGA, (2) RJ45 CAT6	ADD 713
K	VGA, RJ45 CAT6, STEREO 3.5	ADD 603

ORDER CODE SAMPLE

LINE 1	TABLE	ITEM CODE	WIDTH	DEPTH	LAMINATE	OPTION
		TMR TT	W96	D48	M1	CC
LINE 1.1	POWER & DATA	POWER OPTION	FINISH / TRIM FINISH / COVER CODE	BODY FINISH / OPTION	POWER QTY	
		AF2RE	SILVER	D	1	

AF3AE: Trio Flush Mount

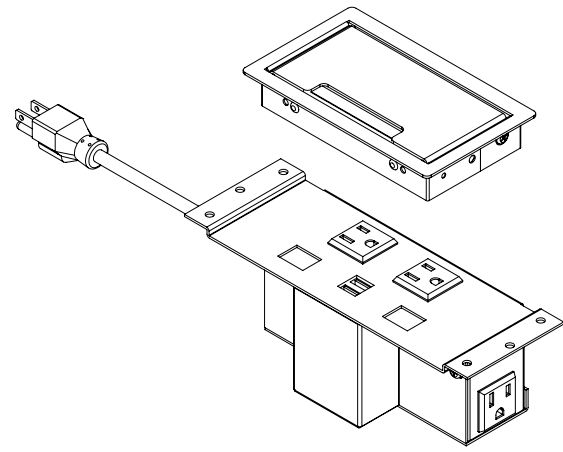


AF3AE	
FEATURES & SPECIFICATIONS	PRICE
<ul style="list-style-type: none"> Triple outlet Two USB ports 72" Corded plug Finish options: Trim: black, silver or white Body: white, grey, black, orange, red, green, blue 	688

ORDER CODE SAMPLE





LINE 1	TABLE	ITEM CODE	WIDTH	DEPTH	LAMINATE	OPTION
		TMR TT	W96	D48	M1	CC
LINE 1.1	POWER & DATA	POWER OPTION	FINISH / TRIM FINISH / COVER CODE	BODY FINISH / OPTION	POWER QTY	
		AF3AE	SILVER	BLUE	1	

AU2FE: Vila Undermount



AU2FE	
FEATURES & SPECIFICATIONS	PRICE
<ul style="list-style-type: none"> • Two power outlets • Two USB charging ports • 72" Black corded plug • Base finish options: black or silver • Optional data, video and stereo options as per below • Select cover grommet to complete product 	814

COVER		
MODEL	FINISH	PRICE
F-AL	BRUSHED ALUMINUM	ADD 516
F-S	SILVER PAINT	ADD 259
F-B	BLACK PAINT	ADD 259
F-W	GLOSS WHITE PAINT	ADD 259

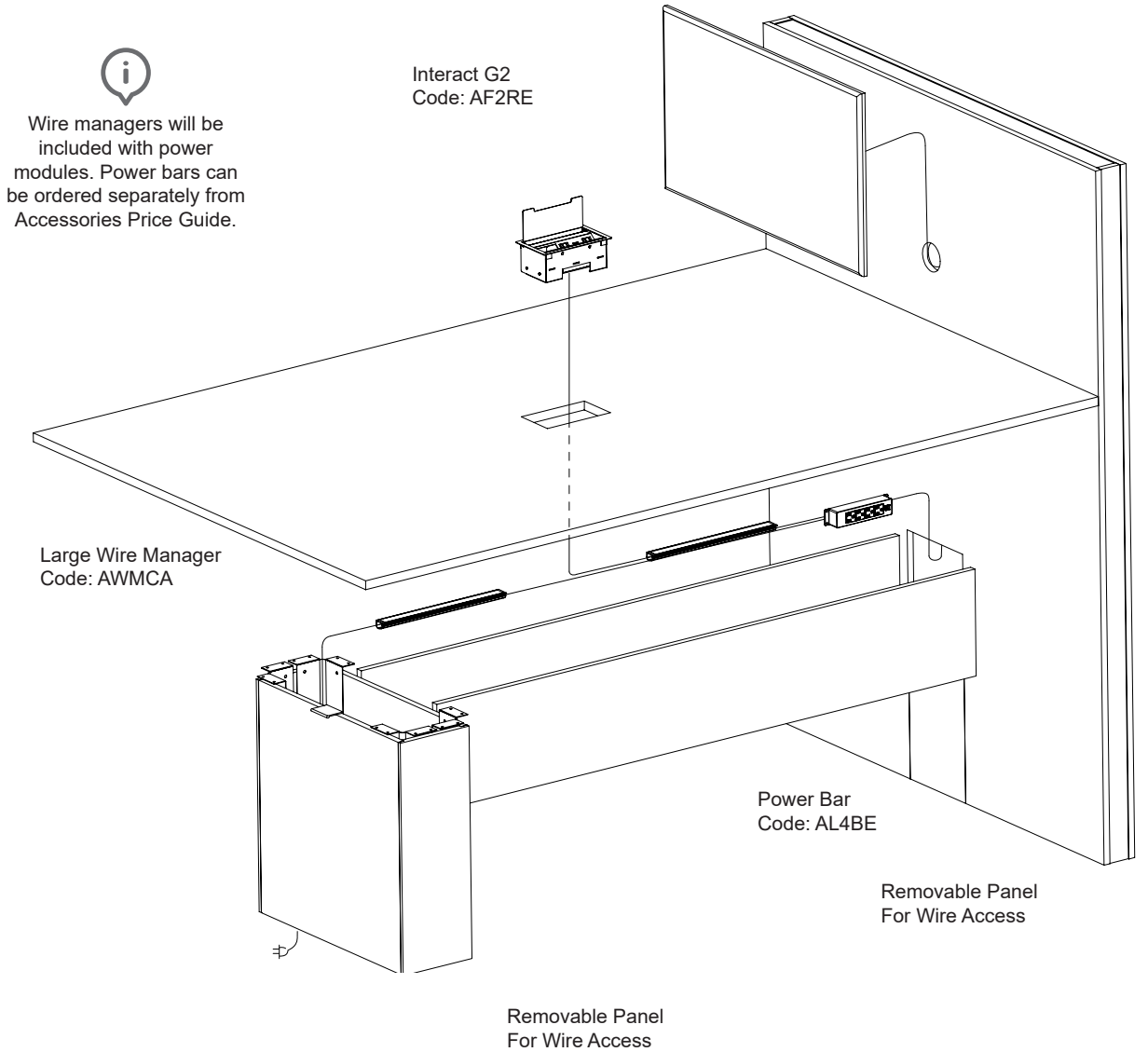
OPTION	FEATURE(S)	PRICE
C	 (2) RJ45 CAT6	ADD 469
K	   VGA, RJ45 CAT6, STEREO 3.5	ADD 776

ORDER CODE SAMPLE

LINE 1	TABLE	ITEM CODE	WIDTH	DEPTH	LAMINATE	OPTION
		TMRTT	W96	D48	M1	CC
LINE 1.1	POWER & DATA	POWER OPTION	FINISH / TRIM FINISH / COVER CODE	BODY FINISH / OPTION	POWER QTY	
		AU2FE	F-S	K	1	

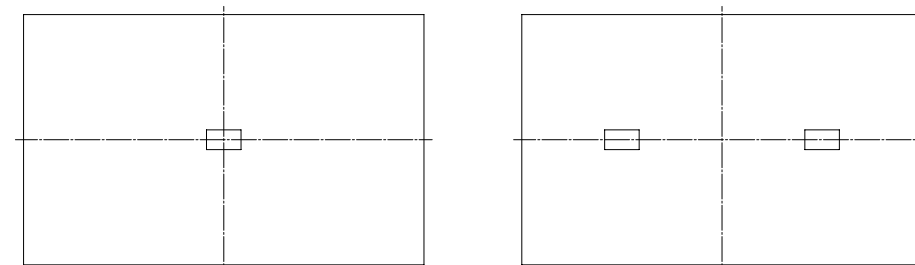
Wire Management

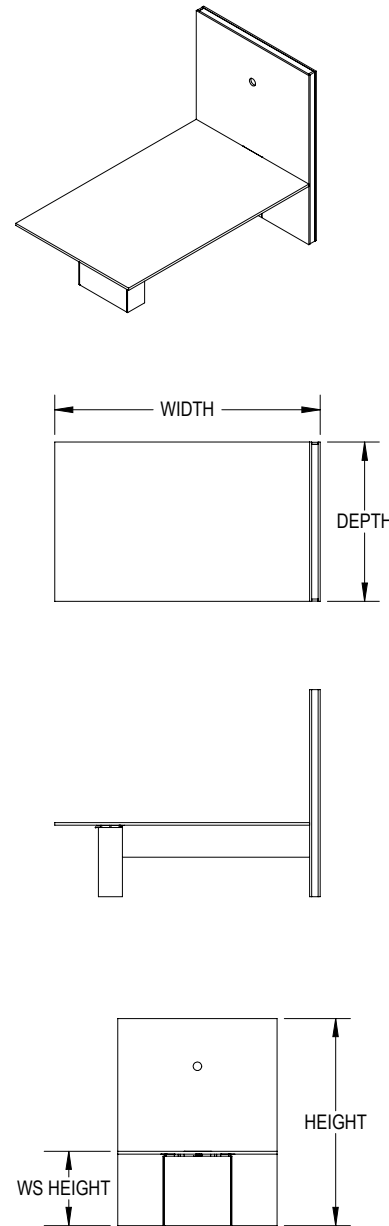
Wire management for media tables can be accommodated through the back panel and the front base. Both have removable panels for easy wire access and routing. Wire managers (AWMCA) are included with tables that are ordered with power modules. Additional items, such as power bars, are not included but can be ordered separately, if required, using the Accessories Price Guide on BRC's website.



Power Locations

By default, electrical modules, when specified from this price guide, are located as per below. If one electrical module is specified it will be located on the center. If there are two specified, they will be distanced equally in the center.





TMRTT

NOMINAL SIZE				POWER	LAMINATE		
WIDTH	DEPTH	WS HEIGHT	HEIGHT	QUANTITY	PRICE M1	PRICE H1	PRICE K1
60"	48"	29"	66"	1	\$2,190	\$2,510	\$3,100
72"	48"	29"	66"	1, 2	\$2,305	\$2,642	\$3,263
84"	48"	29"	66"	1, 2	\$2,313	\$2,650	\$3,274
96"	48"	29"	66"	1, 2	\$2,319	\$2,658	\$3,283
120"	48"	29"	66"	1, 2	\$2,551	\$2,924	\$3,612
60"	60"	29"	66"	1	\$2,283	\$2,604	\$3,195
72"	60"	29"	66"	1, 2	\$2,403	\$2,741	\$3,363
84"	60"	29"	66"	1, 2	\$2,409	\$2,747	\$3,373
96"	60"	29"	66"	1, 2	\$2,417	\$2,754	\$3,383
120"	60"	29"	66"	1, 2	\$2,659	\$3,030	\$3,722
60"	48"	29"	72"	1	\$2,190	\$2,511	\$3,100
72"	48"	29"	72"	1, 2	\$2,305	\$2,643	\$3,263
84"	48"	29"	72"	1, 2	\$2,313	\$2,650	\$3,274
96"	48"	29"	72"	1, 2	\$2,319	\$2,659	\$3,283
120"	48"	29"	72"	1, 2	\$2,551	\$2,925	\$3,612
60"	48"	29"	72"	1	\$2,283	\$2,604	\$3,195
72"	60"	29"	72"	1, 2	\$2,403	\$2,741	\$3,363
84"	60"	29"	72"	1, 2	\$2,410	\$2,748	\$3,374
96"	60"	29"	72"	1, 2	\$2,417	\$2,754	\$3,384
120"	60"	29"	72"	1, 2	\$2,659	\$3,030	\$3,723
60"	48"	29"	78"	1	\$2,191	\$2,511	\$3,100
72"	48"	29"	78"	1, 2	\$2,306	\$2,643	\$3,263
84"	48"	29"	78"	1, 2	\$2,313	\$2,650	\$3,275
96"	48"	29"	78"	1, 2	\$2,320	\$2,659	\$3,284
120"	48"	29"	78"	1, 2	\$2,552	\$2,925	\$3,613
60"	48"	29"	78"	1	\$2,283	\$2,605	\$3,196
72"	60"	29"	78"	1, 2	\$2,403	\$2,742	\$3,364
84"	60"	29"	78"	1, 2	\$2,410	\$2,748	\$3,374
96"	60"	29"	78"	1, 2	\$2,417	\$2,756	\$3,384
120"	60"	29"	78"	1, 2	\$2,659	\$3,032	\$3,723

ORDER CODE SAMPLE

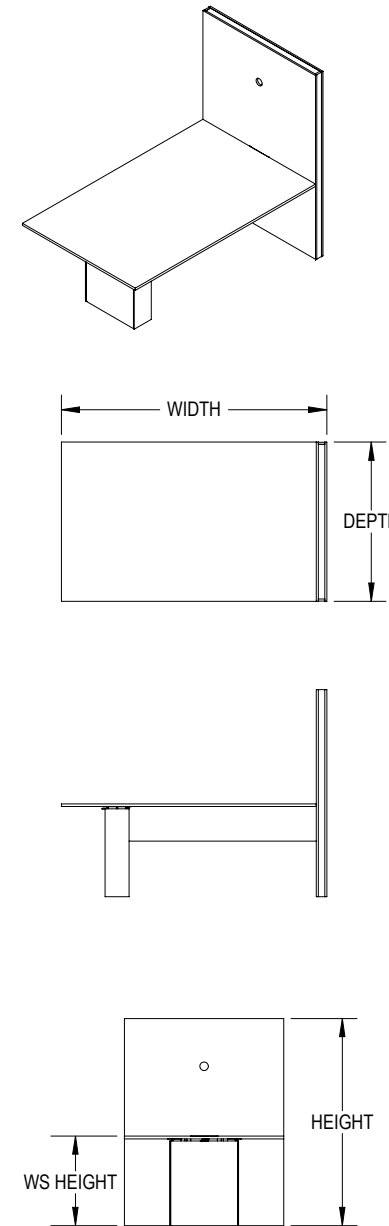
LINE 1	TABLE	ITEM CODE	WIDTH	DEPTH	WS HEIGHT	HEIGHT	LAMINATE	OPTION
		TMRTT	W96	D42	WS29	H72	M1	TV
LINE 1.1	POWER & DATA	POWER OPTION	FINISH / TRIM FINISH / COVER CODE		BODY FINISH / OPTION	POWER QTY		
		AF2RE	SLV		D	1		

Features & Specifications

- Laminate codes - M1: 1" LPL, H1: 1" HPL, K1: 1.25" knife edge (top only)
- All laminates except for worksurface are 3/4" LPL
- Wire management through the back panel and front base
- Worksurface Height is 29" nominal, including levellers
- 120" Width worksurfaces may have seam & include 2 bases
- Available in all standard laminates
- For back panel TV/Monitor mount, add code 'TV' and \$325

No Charge Options
Optional Extra

POWER & DATA	For detailed specification, cover code finishes, data and telecom options, and pricing of each electrical modules please refer to page "Power & Data Options".							
AF2RE 	Finish: Black (BLK), Silver (SLV), White (WHT), Anodized Aluminum (BAA), Stainless Steel (BSS)	AF3AE 	Trim Finish: Black (BLK), Silver (SLV), White (WHT)	AU2FE 	Cover Code: F-AL, F-S, F-B, F-W	Option (Data & Telecom): A, B, C, D, E, F, G, H, J, K	Body Finish: White (WHT), Gray (GRY), Black (BLK), Orange (ORN), Red (RED), Green (GRN), Blue (BLU)	Option (Data & Telecom): C, K



TMRCT

NOMINAL SIZE				POWER	LAMINATE		
WIDTH	DEPTH	WS HEIGHT	HEIGHT	QUANTITY	PRICE M1	PRICE H1	PRICE K1
60"	48"	36"	66"	1	\$2,519	\$2,887	\$3,565
72"	48"	36"	66"	1, 2	\$2,651	\$3,039	\$3,753
84"	48"	36"	66"	1, 2	\$2,660	\$3,048	\$3,766
96"	48"	36"	66"	1, 2	\$2,667	\$3,057	\$3,776
120"	48"	36"	66"	1, 2	\$2,934	\$3,363	\$4,154
60"	60"	36"	66"	1	\$2,626	\$2,995	\$3,675
72"	60"	36"	66"	1, 2	\$2,764	\$3,153	\$3,868
84"	60"	36"	66"	1, 2	\$2,771	\$3,160	\$3,879
96"	60"	36"	66"	1, 2	\$2,780	\$3,168	\$3,891
120"	60"	36"	66"	1, 2	\$3,058	\$3,485	\$4,281
60"	48"	36"	72"	1	\$2,519	\$2,888	\$3,565
72"	48"	36"	72"	1, 2	\$2,651	\$3,040	\$3,753
84"	48"	36"	72"	1, 2	\$2,660	\$3,048	\$3,766
96"	48"	36"	72"	1, 2	\$2,667	\$3,058	\$3,776
120"	48"	36"	72"	1, 2	\$2,934	\$3,364	\$4,154
60"	48"	36"	72"	1	\$2,626	\$2,995	\$3,675
72"	60"	36"	72"	1, 2	\$2,764	\$3,153	\$3,868
84"	60"	36"	72"	1, 2	\$2,772	\$3,161	\$3,881
96"	60"	36"	72"	1, 2	\$2,780	\$3,168	\$3,892
120"	60"	36"	72"	1, 2	\$3,058	\$3,485	\$4,282
60"	48"	36"	78"	1	\$2,520	\$2,888	\$3,565
72"	48"	36"	78"	1, 2	\$2,652	\$3,040	\$3,753
84"	48"	36"	78"	1, 2	\$2,660	\$3,048	\$3,767
96"	48"	36"	78"	1, 2	\$2,668	\$3,058	\$3,777
120"	48"	36"	78"	1, 2	\$2,935	\$3,364	\$4,155
60"	48"	36"	78"	1	\$2,626	\$2,996	\$3,676
72"	60"	36"	78"	1, 2	\$2,764	\$3,154	\$3,869
84"	60"	36"	78"	1, 2	\$2,772	\$3,161	\$3,881
96"	60"	36"	78"	1, 2	\$2,780	\$3,170	\$3,892
120"	60"	36"	78"	1, 2	\$3,058	\$3,487	\$4,282

ORDER CODE SAMPLE

LINE 1	TABLE	ITEM CODE	WIDTH	DEPTH	WS HEIGHT	HEIGHT	LAMINATE	OPTION
		TMRCT	W96	D42	WS36	H72	M1	TV
LINE 1.1	POWER & DATA	POWER OPTION	FINISH / TRIM FINISH / COVER CODE		BODY FINISH / OPTION	POWER QTY		
		AF2RE	SLV		D	1		

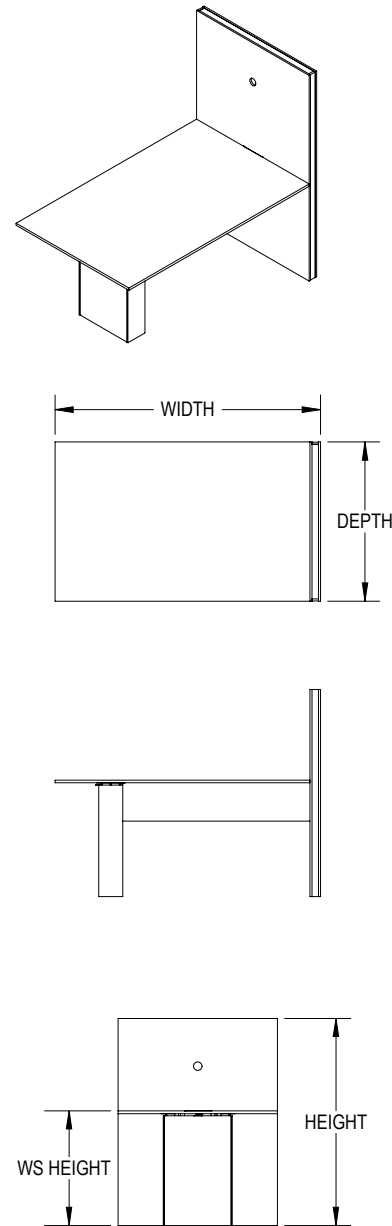
Features & Specifications

- Laminate codes - M1: 1" LPL, H1: 1" HPL, K1: 1.25" knife edge (top only)
- All laminates except for worksurface are 3/4" LPL
- Wire management through the back panel and front base
- Worksurface Height is 36" nominal, including levellers
- 120" Width worksurfaces may have seam & include 2 bases
- Available in all standard laminates
- For back panel TV/Monitor mount, add code 'TV' and \$325

No Charge Options
Optional Extra

POWER & DATA	For detailed specification, cover code finishes, data and telecom options, and pricing of each electrical modules please refer to page "Power & Data Options".							
AF2RE 	Finish: Black (BLK), Silver (SLV), White (WHT), Anodized Aluminum (BAA), Stainless Steel (BSS)	AF3AE 	Trim Finish: Black (BLK), Silver (SLV), White (WHT)	AU2FE 	Cover Code: F-AL, F-S, F-B, F-W	Option (Data & Telecom): A, B, C, D, E, F, G, H, J, K	Body Finish: White (WHT), Gray (GRY), Black (BLK), Orange (ORN), Red (RED), Green (GRN), Blue (BLU)	Option (Data & Telecom): C, K

TMRBT



NOMINAL SIZE				POWER	LAMINATE		
WIDTH	DEPTH	WS HEIGHT	HEIGHT	QUANTITY	PRICE M1	PRICE H1	PRICE K1
60"	48"	42"	72"	1	\$2,897	\$3,322	\$4,100
72"	48"	42"	72"	1, 2	\$3,049	\$3,496	\$4,316
84"	48"	42"	72"	1, 2	\$3,059	\$3,506	\$4,331
96"	48"	42"	72"	1, 2	\$3,068	\$3,517	\$4,343
120"	48"	42"	72"	1, 2	\$3,375	\$3,869	\$4,778
60"	48"	42"	72"	1	\$3,020	\$3,445	\$4,227
72"	60"	42"	72"	1, 2	\$3,179	\$3,626	\$4,449
84"	60"	42"	72"	1, 2	\$3,188	\$3,636	\$4,464
96"	60"	42"	72"	1, 2	\$3,197	\$3,644	\$4,476
120"	60"	42"	72"	1, 2	\$3,517	\$4,008	\$4,925
60"	48"	42"	78"	1	\$2,898	\$3,322	\$4,100
72"	48"	42"	78"	1, 2	\$3,050	\$3,496	\$4,316
84"	48"	42"	78"	1, 2	\$3,059	\$3,506	\$4,333
96"	48"	42"	78"	1, 2	\$3,069	\$3,517	\$4,344
120"	48"	42"	78"	1, 2	\$3,376	\$3,869	\$4,779
60"	48"	42"	78"	1	\$3,020	\$3,446	\$4,228
72"	60"	42"	78"	1, 2	\$3,179	\$3,628	\$4,450
84"	60"	42"	78"	1, 2	\$3,188	\$3,636	\$4,464
96"	60"	42"	78"	1, 2	\$3,197	\$3,646	\$4,476
120"	60"	42"	78"	1, 2	\$3,517	\$4,011	\$4,925

ORDER CODE SAMPLE

LINE 1	TABLE	ITEM CODE	WIDTH	DEPTH	WS HEIGHT	HEIGHT	LAMINATE	OPTION
		TMRBT	W96	D42	WS36	H72	M1	TV
LINE 1.1	POWER & DATA	POWER OPTION	FINISH / TRIM FINISH / COVER CODE		BODY FINISH / OPTION	POWER QTY		
		AF2RE	SLV		D	1		

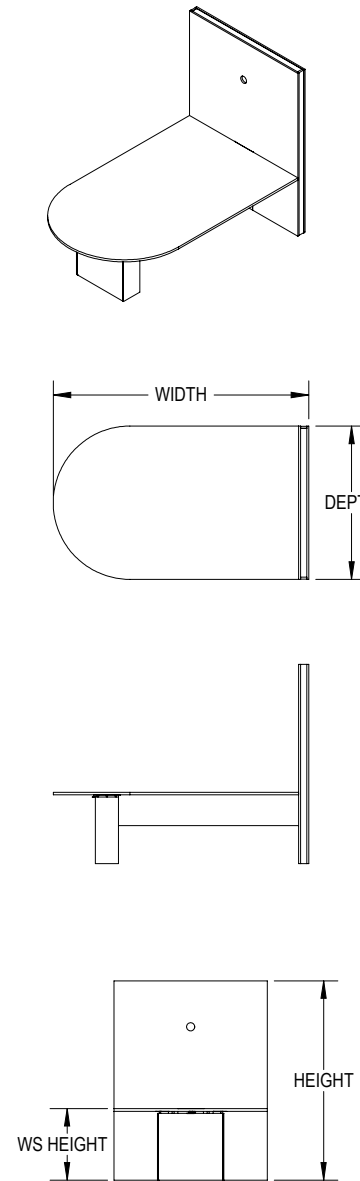
Features & Specifications

- Laminate codes - M1: 1" LPL, H1: 1" HPL, K1: 1.25" knife edge (top only)
- All laminates except for worksurface are 3/4" LPL
- Wire management through the back panel and front base
- Worksurface Height is 42" nominal, including levellers
- 120" Width worksurfaces may have seam & include 2 bases
- Available in all standard laminates
- For back panel TV/Monitor mount, add code 'TV' and \$325

No Charge Options
Optional Extra

POWER & DATA	For detailed specification, cover code finishes, data and telecom options, and pricing of each electrical modules please refer to page "Power & Data Options".			
AF2RE 	Finish: Black (BLK), Silver (SLV), White (WHT), Anodized Aluminum (BAA), Stainless Steel (BSS)	AF3AE 	Trim Finish: Black (BLK), Silver (SLV), White (WHT)	AU2FE
	Option (Data & Telecom): A, B, C, D, E, F, G, H, J, K		Body Finish: White (WHT), Gray (GRY), Black (BLK), Orange (ORN), Red (RED), Green (GRN), Blue (BLU)	Cover Code: F-AL, F-S, F-B, F-W
				Option (Data & Telecom): C, K

TMBET



NOMINAL SIZE				POWER	LAMINATE		
WIDTH	DEPTH	WS HEIGHT	HEIGHT	QUANTITY	PRICE M1	PRICE H1	PRICE K1
60"	48"	29"	66"	1	\$2,190	\$2,510	\$3,100
72"	48"	29"	66"	1, 2	\$2,305	\$2,642	\$3,263
84"	48"	29"	66"	1, 2	\$2,313	\$2,650	\$3,274
96"	48"	29"	66"	1, 2	\$2,319	\$2,658	\$3,283
120"	48"	29"	66"	1, 2	\$2,551	\$2,924	\$3,612
60"	60"	29"	66"	1	\$2,283	\$2,604	\$3,195
72"	60"	29"	66"	1, 2	\$2,403	\$2,741	\$3,363
84"	60"	29"	66"	1, 2	\$2,409	\$2,747	\$3,373
96"	60"	29"	66"	1, 2	\$2,417	\$2,754	\$3,383
120"	60"	29"	66"	1, 2	\$2,659	\$3,030	\$3,722
60"	48"	29"	72"	1	\$2,190	\$2,511	\$3,100
72"	48"	29"	72"	1, 2	\$2,305	\$2,643	\$3,263
84"	48"	29"	72"	1, 2	\$2,313	\$2,650	\$3,274
96"	48"	29"	72"	1, 2	\$2,319	\$2,659	\$3,283
120"	48"	29"	72"	1, 2	\$2,551	\$2,925	\$3,612
60"	48"	29"	72"	1	\$2,283	\$2,604	\$3,195
72"	60"	29"	72"	1, 2	\$2,403	\$2,741	\$3,363
84"	60"	29"	72"	1, 2	\$2,410	\$2,748	\$3,374
96"	60"	29"	72"	1, 2	\$2,417	\$2,754	\$3,384
120"	60"	29"	72"	1, 2	\$2,659	\$3,030	\$3,723
60"	48"	29"	78"	1	\$2,191	\$2,511	\$3,100
72"	48"	29"	78"	1, 2	\$2,306	\$2,643	\$3,263
84"	48"	29"	78"	1, 2	\$2,313	\$2,650	\$3,275
96"	48"	29"	78"	1, 2	\$2,320	\$2,659	\$3,284
120"	48"	29"	78"	1, 2	\$2,552	\$2,925	\$3,613
60"	48"	29"	78"	1	\$2,283	\$2,605	\$3,196
72"	60"	29"	78"	1, 2	\$2,403	\$2,742	\$3,364
84"	60"	29"	78"	1, 2	\$2,410	\$2,748	\$3,374
96"	60"	29"	78"	1, 2	\$2,417	\$2,756	\$3,384
120"	60"	29"	78"	1, 2	\$2,659	\$3,032	\$3,723

ORDER CODE SAMPLE

LINE 1	TABLE	ITEM CODE	WIDTH	DEPTH	WS HEIGHT	HEIGHT	LAMINATE	OPTION
		TMBET	W96	D42	WS29	H72	M1	TV
LINE 1.1	POWER & DATA	POWER OPTION	FINISH / TRIM FINISH / COVER CODE		BODY FINISH / OPTION	POWER QTY		
		AF2RE	SLV		D	1		

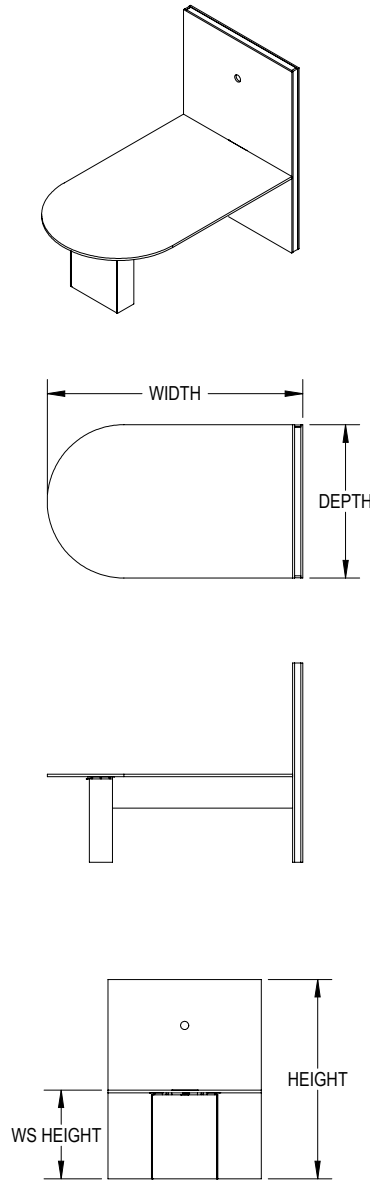
Features & Specifications

- Laminate codes - M1: 1" LPL, H1: 1" HPL, K1: 1.25" knife edge (top only)
- All laminates except for worksurface are 3/4" LPL
- Wire management through the back panel and front base
- Worksurface Height is 29" nominal, including levellers
- 120" Width worksurfaces may have seam & include 2 bases
- Available in all standard laminates
- For back panel TV/Monitor mount, add code 'TV' and \$325

No Charge Options
Optional Extra

POWER & DATA	For detailed specification, cover code finishes, data and telecom options, and pricing of each electrical modules please refer to page "Power & Data Options".			
AF2RE 	Finish: Black (BLK), Silver (SLV), White (WHT), Anodized Aluminum (BAA), Stainless Steel (BSS)	AF3AE 	Trim Finish: Black (BLK), Silver (SLV), White (WHT)	AU2FE
	Option (Data & Telecom): A, B, C, D, E, F, G, H, J, K		Body Finish: White (WHT), Gray (GRY), Black (BLK), Orange (ORN), Red (RED), Green (GRN), Blue (BLU)	Cover Code: F-AL, F-S, F-B, F-W
				Option (Data & Telecom): C, K

TMBCT



NOMINAL SIZE				POWER	LAMINATE		
WIDTH	DEPTH	WS HEIGHT	HEIGHT	QUANTITY	PRICE M1	PRICE H1	PRICE K1
60"	48"	36"	66"	1	\$2,519	\$2,887	\$3,565
72"	48"	36"	66"	1, 2	\$2,651	\$3,039	\$3,753
84"	48"	36"	66"	1, 2	\$2,660	\$3,048	\$3,766
96"	48"	36"	66"	1, 2	\$2,667	\$3,057	\$3,776
120"	48"	36"	66"	1, 2	\$2,934	\$3,363	\$4,154
60"	60"	36"	66"	1	\$2,626	\$2,995	\$3,675
72"	60"	36"	66"	1, 2	\$2,764	\$3,153	\$3,868
84"	60"	36"	66"	1, 2	\$2,771	\$3,160	\$3,879
96"	60"	36"	66"	1, 2	\$2,780	\$3,168	\$3,891
120"	60"	36"	66"	1, 2	\$3,058	\$3,485	\$4,281
60"	48"	36"	72"	1	\$2,519	\$2,888	\$3,565
72"	48"	36"	72"	1, 2	\$2,651	\$3,040	\$3,753
84"	48"	36"	72"	1, 2	\$2,660	\$3,048	\$3,766
96"	48"	36"	72"	1, 2	\$2,667	\$3,058	\$3,776
120"	48"	36"	72"	1, 2	\$2,934	\$3,364	\$4,154
60"	48"	36"	72"	1	\$2,626	\$2,995	\$3,675
72"	60"	36"	72"	1, 2	\$2,764	\$3,153	\$3,868
84"	60"	36"	72"	1, 2	\$2,772	\$3,161	\$3,881
96"	60"	36"	72"	1, 2	\$2,780	\$3,168	\$3,892
120"	60"	36"	72"	1, 2	\$3,058	\$3,485	\$4,282
60"	48"	36"	78"	1	\$2,520	\$2,888	\$3,565
72"	48"	36"	78"	1, 2	\$2,652	\$3,040	\$3,753
84"	48"	36"	78"	1, 2	\$2,660	\$3,048	\$3,767
96"	48"	36"	78"	1, 2	\$2,668	\$3,058	\$3,777
120"	48"	36"	78"	1, 2	\$2,935	\$3,364	\$4,155
60"	48"	36"	78"	1	\$2,626	\$2,996	\$3,676
72"	60"	36"	78"	1, 2	\$2,764	\$3,154	\$3,869
84"	60"	36"	78"	1, 2	\$2,772	\$3,161	\$3,881
96"	60"	36"	78"	1, 2	\$2,780	\$3,170	\$3,892
120"	60"	36"	78"	1, 2	\$3,058	\$3,487	\$4,282

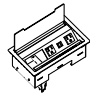
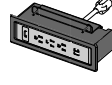
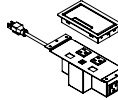
ORDER CODE SAMPLE

LINE 1	TABLE	ITEM CODE	WIDTH	DEPTH	WS HEIGHT	HEIGHT	LAMINATE	OPTION
		TMBCT	W96	D42	WS36	H72	M1	TV
LINE 1.1	POWER & DATA	POWER OPTION	FINISH / TRIM FINISH / COVER CODE		BODY FINISH / OPTION	POWER QTY		
		AF2RE	SLV		D	1		

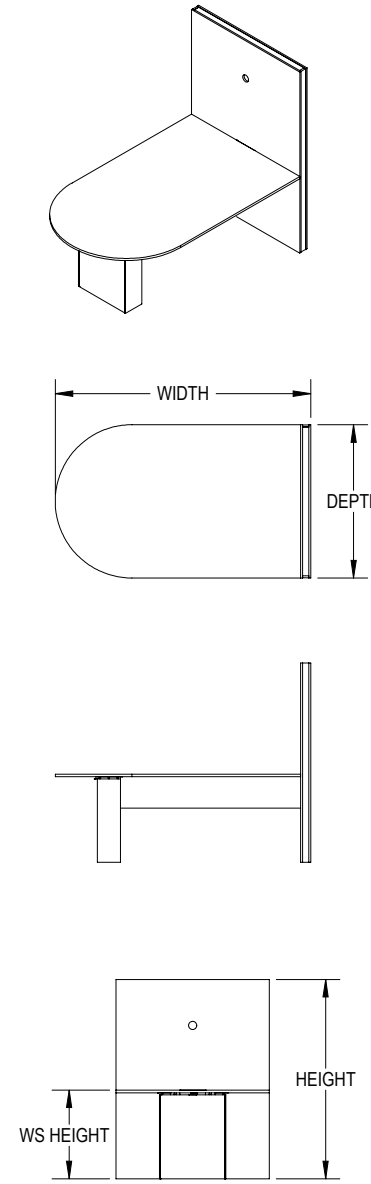
Features & Specifications

- Laminate codes - M1: 1" LPL, H1: 1" HPL, K1: 1.25" knife edge (top only)
- All laminates except for worksurface are 3/4" LPL
- Wire management through the back panel and front base
- Worksurface Height is 36" nominal, including levellers
- 120" Width worksurfaces may have seam & include 2 bases
- Available in all standard laminates
- For back panel TV/Monitor mount, add code 'TV' and \$325

No Charge Options
Optional Extra

POWER & DATA	For detailed specification, cover code finishes, data and telecom options, and pricing of each electrical modules please refer to page "Power & Data Options".							
 AF2RE Finish: Black (BLK), Silver (SLV), White (WHT), Anodized Aluminum (BAA), Stainless Steel (BSS)	 AF3AE	 AU2FE	Trim Finish: Black (BLK), Silver (SLV), White (WHT)	Cover Code: F-AL, F-S, F-B, F-W	Option (Data & Telecom): C, K	Body Finish: White (WHT), Gray (GRY), Black (BLK), Orange (ORN), Red (RED), Green (GRN), Blue (BLU)		
			Option (Data & Telecom): A, B, C, D, E, F, G, H, J, K					

TMBBT



NOMINAL SIZE				POWER	LAMINATE		
WIDTH	DEPTH	WS HEIGHT	HEIGHT	QUANTITY	PRICE M1	PRICE H1	PRICE K1
60"	48"	42"	72"	1	\$2,897	\$3,322	\$4,100
72"	48"	42"	72"	1, 2	\$3,049	\$3,496	\$4,316
84"	48"	42"	72"	1, 2	\$3,059	\$3,506	\$4,331
96"	48"	42"	72"	1, 2	\$3,068	\$3,517	\$4,343
120"	48"	42"	72"	1, 2	\$3,375	\$3,869	\$4,778
60"	48"	42"	72"	1	\$3,020	\$3,445	\$4,227
72"	60"	42"	72"	1, 2	\$3,179	\$3,626	\$4,449
84"	60"	42"	72"	1, 2	\$3,188	\$3,636	\$4,464
96"	60"	42"	72"	1, 2	\$3,197	\$3,644	\$4,476
120"	60"	42"	72"	1, 2	\$3,517	\$4,008	\$4,925
60"	48"	42"	78"	1	\$2,898	\$3,322	\$4,100
72"	48"	42"	78"	1, 2	\$3,050	\$3,496	\$4,316
84"	48"	42"	78"	1, 2	\$3,059	\$3,506	\$4,333
96"	48"	42"	78"	1, 2	\$3,069	\$3,517	\$4,344
120"	48"	42"	78"	1, 2	\$3,376	\$3,869	\$4,779
60"	48"	42"	78"	1	\$3,020	\$3,446	\$4,228
72"	60"	42"	78"	1, 2	\$3,179	\$3,628	\$4,450
84"	60"	42"	78"	1, 2	\$3,188	\$3,636	\$4,464
96"	60"	42"	78"	1, 2	\$3,197	\$3,646	\$4,476
120"	60"	42"	78"	1, 2	\$3,517	\$4,011	\$4,925


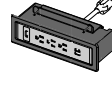
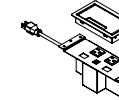
ORDER CODE SAMPLE

LINE 1	TABLE	ITEM CODE	WIDTH	DEPTH	WS HEIGHT	HEIGHT	LAMINATE	OPTION
		TMBBT	W96	D42	WS42	H72	M1	TV
LINE 1.1	POWER & DATA	POWER OPTION	FINISH / TRIM FINISH / COVER CODE		BODY FINISH / OPTION	POWER QTY		
		AF2RE	SLV		D	1		

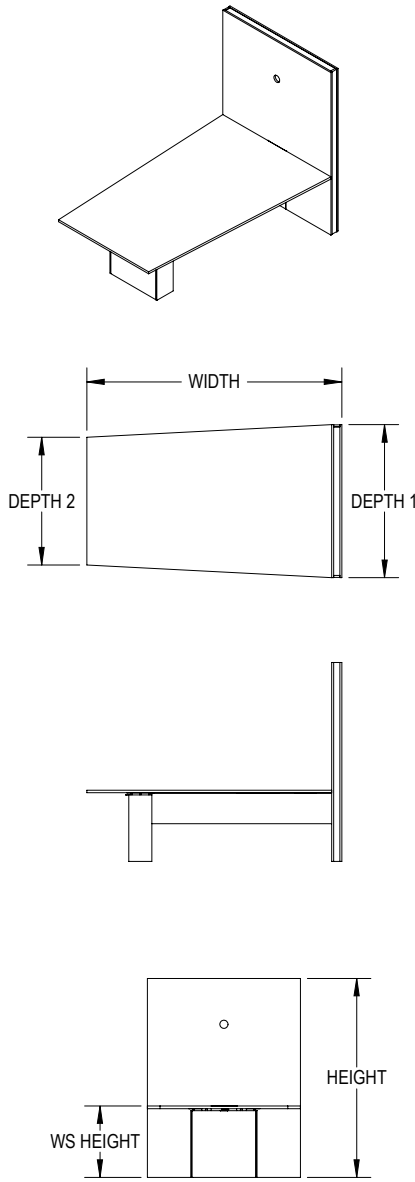
Features & Specifications

- Laminate codes - M1: 1" LPL, H1: 1" HPL, K1: 1.25" knife edge (top only)
- All laminates except for worksurface are 3/4" LPL
- Wire management through the back panel and front base
- Worksurface Height is 42" nominal, including levellers
- 120" Width worksurfaces may have seam & include 2 bases
- Available in all standard laminates
- For back panel TV/Monitor mount, add code 'TV' and \$325

No Charge Options
Optional Extra

POWER & DATA	For detailed specification, cover code finishes, data and telecom options, and pricing of each electrical modules please refer to page "Power & Data Options".							
 AF2RE Finish: Black (BLK), Silver (SLV), White (WHT), Anodized Aluminum (BAA), Stainless Steel (BSS)	 AF3AE	 AU2FE	Trim Finish: Black (BLK), Silver (SLV), White (WHT)	Cover Code: F-AL, F-S, F-B, F-W	Option (Data & Telecom): C, K	Body Finish: White (WHT), Gray (GRY), Black (BLK), Orange (ORN), Red (RED), Green (GRN), Blue (BLU)		
			Option (Data & Telecom): A, B, C, D, E, F, G, H, J, K					

TMTZT



NOMINAL SIZE					POWER	LAMINATE		
WIDTH	DEPTH 1	DEPTH 2	WS HEIGHT	HEIGHT		QTY	PRICE M1	PRICE H1
60"	48"	25"	29"	66"	1	\$2,190	\$2,510	\$3,100
72"	48"	25"	29"	66"	1, 2	\$2,305	\$2,642	\$3,263
84"	48"	25"	29"	66"	1, 2	\$2,313	\$2,650	\$3,274
96"	48"	25"	29"	66"	1, 2	\$2,319	\$2,658	\$3,283
120"	48"	25"	29"	66"	1, 2	\$2,667	\$3,057	\$3,776
60"	60"	48"	29"	66"	1	\$2,283	\$2,604	\$3,195
72"	60"	48"	29"	66"	1, 2	\$2,403	\$2,741	\$3,363
84"	60"	48"	29"	66"	1, 2	\$2,409	\$2,747	\$3,373
96"	60"	48"	29"	66"	1, 2	\$2,417	\$2,754	\$3,383
120"	60"	48"	29"	66"	1, 2	\$2,780	\$3,168	\$3,891
60"	48"	25"	29"	72"	1	\$2,190	\$2,511	\$3,100
72"	48"	25"	29"	72"	1, 2	\$2,305	\$2,643	\$3,263
84"	48"	25"	29"	72"	1, 2	\$2,313	\$2,650	\$3,274
96"	48"	25"	29"	72"	1, 2	\$2,319	\$2,659	\$3,283
120"	48"	25"	29"	72"	1, 2	\$2,667	\$3,058	\$3,776
60"	60"	48"	29"	72"	1	\$2,283	\$2,604	\$3,195
72"	60"	48"	29"	72"	1, 2	\$2,403	\$2,741	\$3,363
84"	60"	48"	29"	72"	1, 2	\$2,410	\$2,748	\$3,374
96"	60"	48"	29"	72"	1, 2	\$2,417	\$2,754	\$3,384
120"	60"	48"	29"	72"	1, 2	\$2,780	\$3,168	\$3,892
60"	48"	25"	29"	78"	1	\$2,191	\$2,511	\$3,100
72"	48"	25"	29"	78"	1, 2	\$2,306	\$2,643	\$3,263
84"	48"	25"	29"	78"	1, 2	\$2,313	\$2,650	\$3,275
96"	48"	25"	29"	78"	1, 2	\$2,320	\$2,659	\$3,284
120"	48"	25"	29"	78"	1, 2	\$2,668	\$3,058	\$3,777
60"	60"	48"	29"	78"	1	\$2,283	\$2,605	\$3,196
72"	60"	48"	29"	78"	1, 2	\$2,403	\$2,742	\$3,364
84"	60"	48"	29"	78"	1, 2	\$2,410	\$2,748	\$3,374
96"	60"	48"	29"	78"	1, 2	\$2,417	\$2,756	\$3,384
120"	60"	48"	29"	78"	1, 2	\$2,780	\$3,170	\$3,892

ORDER CODE SAMPLE

LINE 1	TABLE	ITEM CODE	WIDTH	DEPTH 1	DEPTH 2	WS HEIGHT	HEIGHT	LAMINATE	OPTION
		TMTZT	W96	D1-54	D2-44	WS29	H72	M1	TV
LINE 1.1	POWER & DATA	POWER OPTION	FINISH / TRIM FINISH / COVER CODE	BODY FINISH / OPTION		POWER QTY			
		AF2RE	SLV	D		1			

Features & Specifications

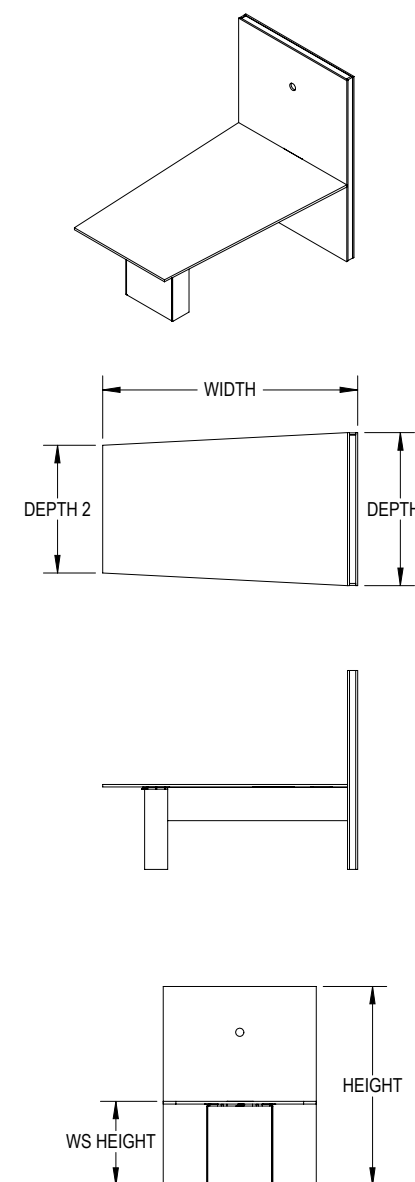
- Laminate codes - M1: 1" LPL, H1: 1" HPL, K1: 1.25" knife edge (top only)
- All laminates except for worksurface are 3/4" LPL
- Wire management through the back panel and front base
- Worksurface Height is 29" nominal, including levellers
- 120" Width worksurfaces may have seam & include 2 bases

No Charge Options
Optional Extra

- Available in all standard laminates
- For back panel TV/Monitor mount, add code 'TV' and \$325

POWER & DATA	For detailed specification, cover code finishes, data and telecom options, and pricing of each electrical modules please refer to page "Power & Data Options".			
AF2RE 	Finish: Black (BLK), Silver (SLV), White (WHT), Anodized Aluminum (BAA), Stainless Steel (BSS)	AF3AE 	Trim Finish: Black (BLK), Silver (SLV), White (WHT)	AU2FE
	Option (Data & Telecom): A, B, C, D, E, F, G, H, J, K		Body Finish: White (WHT), Gray (GRY), Black (BLK), Orange (ORN), Red (RED), Green (GRN), Blue (BLU)	Cover Code: F-AL, F-S, F-B, F-W
				Option (Data & Telecom): C, K

TMTCT



NOMINAL SIZE					POWER	LAMINATE		
WIDTH	DEPTH 1	DEPTH 2	WS HEIGHT	HEIGHT		QTY	PRICE M1	PRICE H1
60"	48"	25"	36"	66"	1	\$2,409	\$2,761	\$3,411
72"	48"	25"	36"	66"	1, 2	\$2,536	\$2,907	\$3,590
84"	48"	25"	36"	66"	1, 2	\$2,545	\$2,916	\$3,602
96"	48"	25"	36"	66"	1, 2	\$2,551	\$2,924	\$3,612
120"	48"	25"	36"	66"	1, 2	\$2,934	\$3,363	\$4,154
60"	60"	48"	36"	66"	1	\$2,512	\$2,865	\$3,515
72"	60"	48"	36"	66"	1, 2	\$2,644	\$3,016	\$3,700
84"	60"	48"	36"	66"	1, 2	\$2,650	\$3,022	\$3,711
96"	60"	48"	36"	66"	1, 2	\$2,659	\$3,030	\$3,722
120"	60"	48"	36"	66"	1, 2	\$3,059	\$3,485	\$4,281
60"	48"	25"	36"	72"	1	\$2,409	\$2,763	\$3,411
72"	48"	25"	36"	72"	1, 2	\$2,536	\$2,908	\$3,590
84"	48"	25"	36"	72"	1, 2	\$2,545	\$2,916	\$3,602
96"	48"	25"	36"	72"	1, 2	\$2,551	\$2,925	\$3,612
120"	48"	25"	36"	72"	1, 2	\$2,934	\$3,364	\$4,154
60"	60"	48"	36"	72"	1	\$2,512	\$2,865	\$3,515
72"	60"	48"	36"	72"	1, 2	\$2,644	\$3,016	\$3,700
84"	60"	48"	36"	72"	1, 2	\$2,651	\$3,023	\$3,712
96"	60"	48"	36"	72"	1, 2	\$2,659	\$3,030	\$3,723
120"	60"	48"	36"	72"	1, 2	\$3,059	\$3,485	\$4,282
60"	48"	25"	36"	78"	1	\$2,411	\$2,763	\$3,411
72"	48"	25"	36"	78"	1, 2	\$2,537	\$2,908	\$3,590
84"	48"	25"	36"	78"	1, 2	\$2,545	\$2,916	\$3,603
96"	48"	25"	36"	78"	1, 2	\$2,552	\$2,925	\$3,613
120"	48"	25"	36"	78"	1, 2	\$2,935	\$3,364	\$4,155
60"	60"	48"	36"	78"	1	\$2,512	\$2,866	\$3,516
72"	60"	48"	36"	78"	1, 2	\$2,644	\$3,017	\$3,701
84"	60"	48"	36"	78"	1, 2	\$2,651	\$3,023	\$3,712
96"	60"	48"	36"	78"	1, 2	\$2,659	\$3,032	\$3,723
120"	60"	48"	36"	78"	1, 2	\$3,059	\$3,488	\$4,282

ORDER CODE SAMPLE

LINE 1	TABLE	ITEM CODE	WIDTH	DEPTH 1	DEPTH 2	WS HEIGHT	HEIGHT	LAMINATE	OPTION
		TMTCT	W96	D1-54	D2-44	WS36	H72	M1	TV
LINE 1.1	POWER & DATA	POWER OPTION	FINISH / TRIM FINISH / COVER CODE	BODY FINISH / OPTION		POWER QTY			
		AF2RE	SLV	D		1			

Features & Specifications

- Laminate codes - M1: 1" LPL, H1: 1" HPL, K1: 1.25" knife edge (top only)
- All laminates except for worksurface are 3/4" LPL
- Wire management through the back panel and front base
- Worksurface Height is 36" nominal, including levellers
- 120" Width worksurfaces may have seam & include 2 bases

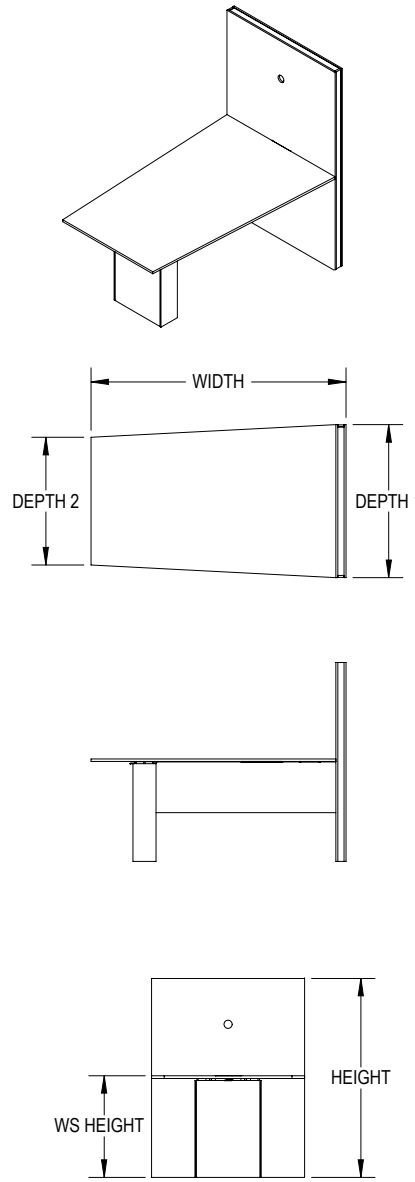
No Charge Options
Optional Extra

- Available in all standard laminates
- For back panel TV/Monitor mount, add code 'TV' and \$325

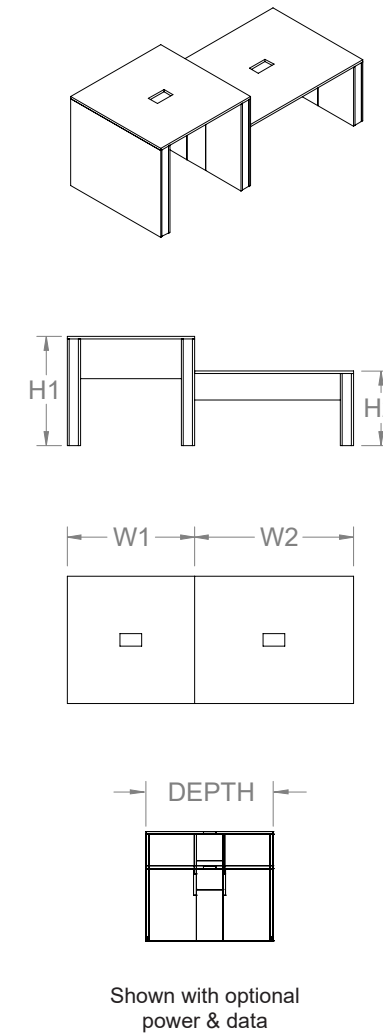
POWER & DATA	For detailed specification, cover code finishes, data and telecom options, and pricing of each electrical modules please refer to page "Power & Data Options".			
AF2RE 	Finish: Black (BLK), Silver (SLV), White (WHT), Anodized Aluminum (BAA), Stainless Steel (BSS)	AF3AE 	Trim Finish: Black (BLK), Silver (SLV), White (WHT)	AU2FE
	Option (Data & Telecom): A, B, C, D, E, F, G, H, J, K		Body Finish: White (WHT), Gray (GRY), Black (BLK), Orange (ORN), Red (RED), Green (GRN), Blue (BLU)	Cover Code: F-AL, F-S, F-B, F-W
				Option (Data & Telecom): C, K

TMTBT

TPNTT



NOMINAL SIZE					POWER QTY	LAMINATE		
WIDTH	DEPTH 1	DEPTH 2	WS HEIGHT	HEIGHT		PRICE M1	PRICE H1	PRICE K1
60"	48"	25"	42"	72"	1	\$2,409	\$2,763	\$3,411
72"	48"	25"	42"	72"	1, 2	\$2,536	\$2,908	\$3,590
84"	48"	25"	42"	72"	1, 2	\$2,545	\$2,916	\$3,602
96"	48"	25"	42"	72"	1, 2	\$2,551	\$2,925	\$3,612
120"	48"	25"	42"	72"	1, 2	\$2,934	\$3,364	\$4,154
60"	60"	48"	42"	72"	1	\$2,512	\$2,865	\$3,515
72"	60"	48"	42"	72"	1, 2	\$2,644	\$3,016	\$3,700
84"	60"	48"	42"	72"	1, 2	\$2,651	\$3,023	\$3,712
96"	60"	48"	42"	72"	1, 2	\$2,659	\$3,030	\$3,723
120"	60"	48"	42"	72"	1, 2	\$3,059	\$3,485	\$4,282
60"	48"	25"	42"	78"	1	\$2,411	\$2,763	\$3,411
72"	48"	25"	42"	78"	1, 2	\$2,537	\$2,908	\$3,590
84"	48"	25"	42"	78"	1, 2	\$2,545	\$2,916	\$3,603
96"	48"	25"	42"	78"	1, 2	\$2,552	\$2,925	\$3,613
120"	48"	25"	42"	78"	1, 2	\$2,935	\$3,364	\$4,155
60"	60"	48"	42"	78"	1	\$2,512	\$2,866	\$3,516
72"	60"	48"	42"	78"	1, 2	\$2,644	\$3,017	\$3,701
84"	60"	48"	42"	78"	1, 2	\$2,651	\$3,023	\$3,712
96"	60"	48"	42"	78"	1, 2	\$2,659	\$3,032	\$3,723
120"	60"	48"	42"	78"	1, 2	\$3,059	\$3,488	\$4,282



NOMINAL SIZE					POWER QUANTITY	LAMINATE	
W1	W2	DEPTH	H1	H2		PRICE M1	PRICE H1
36"	60"	36"	36"	29"	H1 and/or H2	\$2,617	\$3,854
48"	60"	36"	36"	29"	H1 and/or H2	\$2,740	\$4,140
54"	60"	36"	36"	29"	H1 and/or H2	\$3,065	\$4,447
36"	72"	36"	36"	29"	H1 and/or H2	\$2,748	\$4,047
48"	72"	36"	36"	29"	H1 and/or H2	\$2,877	\$4,347
54"	72"	36"	36"	29"	H1 and/or H2	\$3,219	\$4,670
36"	96"	36"	36"	29"	H1 and/or H2	\$2,886	\$4,250
48"	96"	36"	36"	29"	H1 and/or H2	\$3,021	\$4,565
54"	96"	36"	36"	29"	H1 and/or H2	\$3,380	\$4,904
66"	96"	36"	36"	29"	H1 and/or H2	\$3,549	\$5,150
36"	60"	48"	36"	29"	H1 and/or H2	\$3,272	\$4,818
48"	60"	48"	36"	29"	H1 and/or H2	\$3,425	\$5,175
54"	60"	48"	36"	29"	H1 and/or H2	\$3,832	\$5,559
36"	72"	48"	36"	29"	H1 and/or H2	\$3,435	\$5,059
48"	72"	48"	36"	29"	H1 and/or H2	\$3,597	\$5,434
54"	72"	48"	36"	29"	H1 and/or H2	\$4,024	\$5,838
36"	96"	48"	36"	29"	H1 and/or H2	\$3,608	\$5,313
48"	96"	48"	36"	29"	H1 and/or H2	\$3,777	\$5,707
54"	96"	48"	36"	29"	H1 and/or H2	\$4,225	\$6,130
66"	96"	48"	36"	29"	H1 and/or H2	\$4,437	\$6,438
36"	60"	36"	42"	29"	H1 and/or H2	\$3,272	\$4,818
48"	60"	36"	42"	29"	H1 and/or H2	\$3,425	\$5,175
54"	60"	36"	42"	29"	H1 and/or H2	\$3,832	\$5,559
36"	72"	36"	42"	29"	H1 and/or H2	\$3,435	\$5,059
48"	72"	36"	42"	29"	H1 and/or H2	\$3,597	\$5,434
54"	72"	36"	42"	29"	H1 and/or H2	\$4,024	\$5,838
36"	96"	36"	42"	29"	H1 and/or H2	\$3,608	\$5,313
48"	96"	36"	42"	29"	H1 and/or H2	\$3,777	\$5,707
54"	96"	36"	42"	29"	H1 and/or H2	\$4,225	\$6,130
66"	96"	36"	42"	29"	H1 and/or H2	\$4,437	\$6,438
36"	60"	48"	42"	29"	H1 and/or H2	\$4,090	\$6,023
48"	60"	48"	42"	29"	H1 and/or H2	\$4,282	\$6,469
54"	60"	48"	42"	29"	H1 and/or H2	\$4,790	\$6,949
36"	72"	48"	42"	29"	H1 and/or H2	\$4,294	\$6,324
48"	72"	48"	42"	29"	H1 and/or H2	\$4,497	\$6,793
54"	72"	48"	42"	29"	H1 and/or H2	\$5,030	\$7,298
36"	96"	48"	42"	29"	H1 and/or H2	\$4,510	\$6,642
48"	96"	48"	42"	29"	H1 and/or H2	\$4,722	\$7,134
54"	96"	48"	42"	29"	H1 and/or H2	\$5,282	\$7,663
66"	96"	48"	42"	29"	H1 and/or H2	\$5,547	\$8,048

ORDER CODE SAMPLE

LINE 1	TABLE	ITEM CODE	WIDTH	DEPTH 1	DEPTH 2	WS HEIGHT	HEIGHT	LAMINATE	OPTION
		TMTBT	W96	D1-54	D2-44	WS42	H72	M1	TV
LINE 1.1	POWER & DATA	POWER OPTION	FINISH / TRIM FINISH / COVER CODE	BODY FINISH / OPTION	POWER QTY				
		AF2RE	SLV	D	1				

Features & Specifications

- Laminate codes - M1: 1" LPL, H1: 1" HPL, K1: 1.25" knife edge (top only)
- All laminates except for worksurface are 3/4" LPL
- Wire management through the back panel and front base
- Worksurface Height is 42" nominal, including levellers
- 120" Width worksurfaces may have seam & include 2 bases
- Available in all standard laminates
- For back panel TV/Monitor mount, add code 'TV' and \$325

No Charge Options
Optional Extra

POWER & DATA	For detailed specification, cover code finishes, data and telecom options, and pricing of each electrical modules please refer to page "Power & Data Options".			
	AF2RE Finish: Black (BLK), Silver (SLV), White (WHT), Anodized Aluminum (BAA), Stainless Steel (BSS) Option (Data & Telecom): A, B, C, D, E, F, G, H, J, K		AF3AE Trim Finish: Black (BLK), Silver (SLV), White (WHT) Body Finish: White (WHT), Gray (GRY), Black (BLK), Orange (ORN), Red (RED), Green (GRN), Blue (BLU)	
	Cover Code: F-AL, F-S, F-B, F-W		Option (Data & Telecom): C, K	

ORDER CODE SAMPLE

LINE 1	TABLE	ITEM CODE	W1	W2	DEPTH	H1	H2	LAMINATE
		TPNTT	W1-48	W2-72	D36	H1-42	H2-29	M1
LINE 1.1	POWER & DATA	POWER OPTION	FINISH	OPTION	POWER QTY			
		AF2RE	SLV	B	H1 H2			

Features & Specifications

- Laminate codes - M1: 1" LPL, H1: 1" HPL (top only)
- All 1" LPL construction, except for modesties
- Includes twin modesties & removable panel gables for wire management
- Gables are 5" thick

No Charge Options

- Available in all standard laminates

POWER & DATA	For detailed specification, cover code finishes, data and telecom options, and pricing of each electrical modules please refer to page "Power & Data Options".	
	AF2RE Finish: Black (BLK), Silver (SLV), White (WHT), Anodized Aluminum (BAA), Stainless Steel (BSS) Option (Data & Telecom): A, B, C, D, E, F, G, H, J, K	



Tables Pricebook

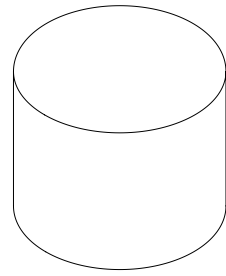
March 202ü

Ottoman

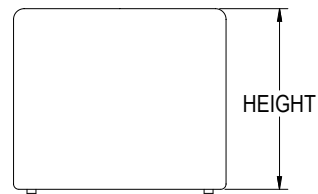
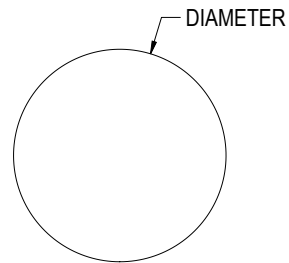
Ottoman

<u>Round Ottoman</u>	104
<u>Square Ottoman</u>	105

TTMRN



NOMINAL SIZE		PRICE		
DIAMETER	HEIGHT	GRADE 1	GRADE 2	GRADE 2
16"	17"	860	1,005	1,150
18"	17"	879	1,011	1,163
22"	17"	995	1,190	1,350
24"	17"	1,087	1,250	1,439
30"	17"	1,142	1,313	1,511
36"	17"	1,199	1,379	1,588
42"	17"	1,259	1,449	1,667
48"	17"	1,323	1,521	1,751



ORDER CODE SAMPLE

LINE 1	OTTOMAN	ITEM CODE	DIAMETER	HEIGHT	GRADE
		TTMRN	D24	H17	G1

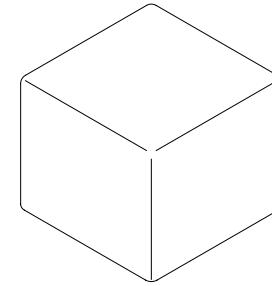
Features & Specifications

- Fully upholstered top and sides
- Includes levellers

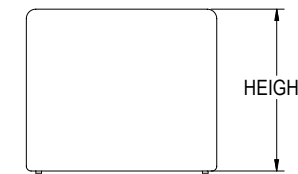
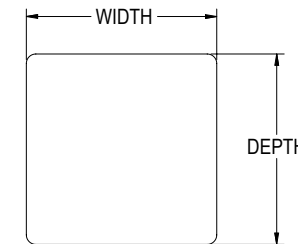
No Charge Options

- Available in all standard grade 1, 2 and 3 seating fabrics. Specify G1, G2 or G3

TTMSN



NOMINAL SIZE			PRICE		
WIDTH	DEPTH	HEIGHT	GRADE 1	GRADE 2	GRADE 2
16"	16"	17"	835	960	1,115
18"	18"	17"	849	977	1,124
22"	22"	17"	962	1,145	1,290
24"	24"	17"	1,050	1,208	1,390
30"	30"	17"	1,104	1,269	1,460
36"	36"	17"	1,159	1,332	1,534
42"	42"	17"	1,217	1,400	1,611
48"	48"	17"	1,278	1,470	1,692



ORDER CODE SAMPLE

LINE 1	OTTOMAN	ITEM CODE	WIDTH	DEPTH	HEIGHT	GRADE
		TTMSN	W24	D24	H17	G1

Features & Specifications

- Fully upholstered top and sides
- Includes levellers

No Charge Options

- Available in all standard grade 1, 2 and 3 seating fabrics. Specify G1, G2 or G3



March 2025
**HPL upcharge
for worksurfaces**

HPL upcharge for worksurfaces

<u>straight worksurface</u>	108
<u>5-sided worksurface</u>	114
<u>unitized worksurface</u>	115
<u>120 degree worksurface</u>	121

How to Specify:

V1 upcharge =single side HPL, w/ backer

V2 upcharge =double sided HPL

Shape	W	D	V1 Upcharge	V2 Upcharge
STRAIGHT	18	18	\$ 52.00	\$ 76.00
STRAIGHT	24	18	\$ 79.00	\$ 114.00
STRAIGHT	30	18	\$ 107.00	\$ 152.00
STRAIGHT	36	18	\$ 107.00	\$ 152.00
STRAIGHT	42	18	\$ 159.00	\$ 228.00
STRAIGHT	48	18	\$ 159.00	\$ 228.00
STRAIGHT	54	18	\$ 159.00	\$ 228.00
STRAIGHT	60	18	\$ 317.00	\$ 455.00
STRAIGHT	66	18	\$ 317.00	\$ 455.00
STRAIGHT	72	18	\$ 317.00	\$ 455.00
STRAIGHT	78	18	\$ 317.00	\$ 455.00
STRAIGHT	84	18	\$ 317.00	\$ 455.00
STRAIGHT	90	18	\$ 317.00	\$ 455.00
STRAIGHT	96	18	\$ 317.00	\$ 455.00
STRAIGHT	102	18	\$ 317.00	\$ 455.00
STRAIGHT	108	18	\$ 317.00	\$ 455.00
STRAIGHT	18	20	\$ 52.00	\$ 76.00
STRAIGHT	24	20	\$ 79.00	\$ 114.00
STRAIGHT	30	20	\$ 107.00	\$ 152.00
STRAIGHT	36	20	\$ 107.00	\$ 152.00
STRAIGHT	42	20	\$ 159.00	\$ 228.00
STRAIGHT	48	20	\$ 159.00	\$ 228.00
STRAIGHT	54	20	\$ 159.00	\$ 228.00
STRAIGHT	60	20	\$ 317.00	\$ 455.00

Shape	W	D	V1 Upcharge	V2 Upcharge
STRAIGHT	66	20	\$ 317.00	\$ 455.00
STRAIGHT	72	20	\$ 317.00	\$ 455.00
STRAIGHT	78	20	\$ 317.00	\$ 455.00
STRAIGHT	84	20	\$ 317.00	\$ 455.00
STRAIGHT	90	20	\$ 317.00	\$ 455.00
STRAIGHT	96	20	\$ 317.00	\$ 455.00
STRAIGHT	102	20	\$ 317.00	\$ 455.00
STRAIGHT	108	20	\$ 317.00	\$ 455.00
STRAIGHT	18	21	\$ 79.00	\$ 114.00
STRAIGHT	24	21	\$ 117.00	\$ 169.00
STRAIGHT	30	21	\$ 159.00	\$ 228.00
STRAIGHT	36	21	\$ 159.00	\$ 228.00
STRAIGHT	42	21	\$ 238.00	\$ 341.00
STRAIGHT	48	21	\$ 238.00	\$ 341.00
STRAIGHT	54	21	\$ 238.00	\$ 341.00
STRAIGHT	60	21	\$ 476.00	\$ 683.00
STRAIGHT	66	21	\$ 476.00	\$ 683.00
STRAIGHT	72	21	\$ 476.00	\$ 683.00
STRAIGHT	78	21	\$ 476.00	\$ 683.00
STRAIGHT	84	21	\$ 476.00	\$ 683.00
STRAIGHT	90	21	\$ 476.00	\$ 683.00
STRAIGHT	96	21	\$ 476.00	\$ 683.00
STRAIGHT	102	21	\$ 476.00	\$ 683.00
STRAIGHT	108	21	\$ 476.00	\$ 683.00
STRAIGHT	18	24	\$ 79.00	\$ 114.00
STRAIGHT	24	24	\$ 117.00	\$ 169.00
STRAIGHT	30	24	\$ 159.00	\$ 228.00

Shape	W	D	V1 Upcharge	V2 Upcharge
STRAIGHT	36	24	\$ 159.00	\$ 228.00
STRAIGHT	42	24	\$ 238.00	\$ 341.00
STRAIGHT	48	24	\$ 238.00	\$ 341.00
STRAIGHT	54	24	\$ 238.00	\$ 341.00
STRAIGHT	60	24	\$ 476.00	\$ 683.00
STRAIGHT	66	24	\$ 476.00	\$ 683.00
STRAIGHT	72	24	\$ 476.00	\$ 683.00
STRAIGHT	78	24	\$ 476.00	\$ 683.00
STRAIGHT	84	24	\$ 476.00	\$ 683.00
STRAIGHT	90	24	\$ 476.00	\$ 683.00
STRAIGHT	96	24	\$ 476.00	\$ 683.00
STRAIGHT	102	24	\$ 476.00	\$ 683.00
STRAIGHT	108	24	\$ 476.00	\$ 683.00
STRAIGHT	18	30	\$ 79.00	\$ 114.00
STRAIGHT	24	30	\$ 117.00	\$ 169.00
STRAIGHT	30	30	\$ 159.00	\$ 228.00
STRAIGHT	36	30	\$ 159.00	\$ 228.00
STRAIGHT	42	30	\$ 238.00	\$ 341.00
STRAIGHT	48	30	\$ 238.00	\$ 341.00
STRAIGHT	54	30	\$ 238.00	\$ 341.00
STRAIGHT	60	30	\$ 476.00	\$ 683.00
STRAIGHT	66	30	\$ 476.00	\$ 683.00
STRAIGHT	72	30	\$ 476.00	\$ 683.00
STRAIGHT	78	30	\$ 476.00	\$ 683.00
STRAIGHT	84	30	\$ 476.00	\$ 683.00
STRAIGHT	90	30	\$ 476.00	\$ 683.00

Shape	W	D	V1 Upcharge	V2 Upcharge
STRAIGHT	96	30	\$ 476.00	\$ 683.00
STRAIGHT	102	30	\$ 476.00	\$ 683.00
STRAIGHT	108	30	\$ 476.00	\$ 683.00
STRAIGHT	18	36	\$ 159.00	\$ 228.00
STRAIGHT	24	36	\$ 238.00	\$ 341.00
STRAIGHT	30	36	\$ 317.00	\$ 455.00
STRAIGHT	36	36	\$ 317.00	\$ 455.00
STRAIGHT	42	36	\$ 476.00	\$ 683.00
STRAIGHT	48	36	\$ 476.00	\$ 683.00
STRAIGHT	54	36	\$ 476.00	\$ 683.00
STRAIGHT	60	36	\$ 948.00	\$ 1,362.00
STRAIGHT	66	36	\$ 948.00	\$ 1,362.00
STRAIGHT	72	36	\$ 948.00	\$ 1,362.00
STRAIGHT	78	36	\$ 948.00	\$ 1,362.00
STRAIGHT	84	36	\$ 948.00	\$ 1,362.00
STRAIGHT	90	36	\$ 948.00	\$ 1,362.00
STRAIGHT	96	36	\$ 948.00	\$ 1,362.00
STRAIGHT	102	36	\$ 948.00	\$ 1,362.00
STRAIGHT	108	36	\$ 948.00	\$ 1,362.00
STRAIGHT	18	42	\$ 159.00	\$ 228.00
STRAIGHT	24	42	\$ 238.00	\$ 341.00
STRAIGHT	30	42	\$ 317.00	\$ 455.00
STRAIGHT	36	42	\$ 317.00	\$ 455.00
STRAIGHT	42	42	\$ 476.00	\$ 683.00
STRAIGHT	48	42	\$ 476.00	\$ 683.00
STRAIGHT	54	42	\$ 476.00	\$ 683.00
STRAIGHT	60	42	\$ 948.00	\$ 1,362.00

Shape	W	D	V1 Upcharge	V2 Upcharge
STRAIGHT	66	42	\$ 948.00	\$ 1,362.00
STRAIGHT	72	42	\$ 948.00	\$ 1,362.00
STRAIGHT	78	42	\$ 948.00	\$ 1,362.00
STRAIGHT	84	42	\$ 948.00	\$ 1,362.00
STRAIGHT	90	42	\$ 948.00	\$ 1,362.00
STRAIGHT	96	42	\$ 948.00	\$ 1,362.00
STRAIGHT	102	42	\$ 948.00	\$ 1,362.00
STRAIGHT	108	42	\$ 948.00	\$ 1,362.00
STRAIGHT	18	48	\$ 159.00	\$ 228.00
STRAIGHT	24	48	\$ 238.00	\$ 341.00
STRAIGHT	30	48	\$ 317.00	\$ 455.00
STRAIGHT	36	48	\$ 317.00	\$ 455.00
STRAIGHT	42	48	\$ 476.00	\$ 683.00
STRAIGHT	48	48	\$ 476.00	\$ 683.00
STRAIGHT	54	48	\$ 476.00	\$ 683.00
STRAIGHT	60	48	\$ 948.00	\$ 1,362.00
STRAIGHT	66	48	\$ 948.00	\$ 1,362.00
STRAIGHT	72	48	\$ 948.00	\$ 1,362.00
STRAIGHT	78	48	\$ 948.00	\$ 1,362.00
STRAIGHT	84	48	\$ 948.00	\$ 1,362.00
STRAIGHT	90	48	\$ 948.00	\$ 1,362.00
STRAIGHT	96	48	\$ 948.00	\$ 1,362.00
STRAIGHT	102	48	\$ 948.00	\$ 1,362.00
STRAIGHT	108	48	\$ 948.00	\$ 1,362.00
STRAIGHT	18	54	\$ 159.00	\$ 228.00
STRAIGHT	24	54	\$ 238.00	\$ 341.00
STRAIGHT	30	54	\$ 317.00	\$ 455.00
STRAIGHT	36	54	\$ 317.00	\$ 455.00

Shape	W	D	V1 Upcharge	V2 Upcharge
STRAIGHT	42	54	\$ 476.00	\$ 683.00
STRAIGHT	48	54	\$ 476.00	\$ 683.00
STRAIGHT	54	54	\$ 476.00	\$ 683.00
STRAIGHT	60	54	\$ 948.00	\$ 1,362.00
STRAIGHT	66	54	\$ 948.00	\$ 1,362.00
STRAIGHT	72	54	\$ 948.00	\$ 1,362.00
STRAIGHT	78	54	\$ 948.00	\$ 1,362.00
STRAIGHT	84	54	\$ 948.00	\$ 1,362.00
STRAIGHT	90	54	\$ 948.00	\$ 1,362.00
STRAIGHT	96	54	\$ 948.00	\$ 1,362.00
STRAIGHT	102	54	\$ 948.00	\$ 1,362.00
STRAIGHT	108	54	\$ 948.00	\$ 1,362.00
STRAIGHT	18	60	\$ 159.00	\$ 228.00
STRAIGHT	24	60	\$ 238.00	\$ 341.00
STRAIGHT	30	60	\$ 317.00	\$ 455.00
STRAIGHT	36	60	\$ 317.00	\$ 455.00
STRAIGHT	42	60	\$ 476.00	\$ 683.00
STRAIGHT	48	60	\$ 476.00	\$ 683.00
STRAIGHT	54	60	\$ 476.00	\$ 683.00
STRAIGHT	60	60	\$ 948.00	\$ 1,362.00
STRAIGHT	66	60	\$ 948.00	\$ 1,362.00
STRAIGHT	72	60	\$ 948.00	\$ 1,362.00
STRAIGHT	78	60	\$ 948.00	\$ 1,362.00
STRAIGHT	84	60	\$ 948.00	\$ 1,362.00
STRAIGHT	90	60	\$ 948.00	\$ 1,362.00
STRAIGHT	96	60	\$ 948.00	\$ 1,362.00
STRAIGHT	102	60	\$ 948.00	\$ 1,362.00
STRAIGHT	108	60	\$ 948.00	\$ 1,362.00

Shape	W1	W2	D	V1 Upcharge	V2 Upcharge
5-SIDED	36	36	24	\$ 317.00	\$455.00
5-SIDED	42	42	24	\$ 476.00	\$683.00
5-SIDED	48	48	24	\$ 476.00	\$683.00
5-SIDED	54	54	24	\$ 476.00	\$683.00
5-SIDED	60	60	24	\$ 476.00	\$683.00
5-SIDED	36	36	30	\$ 476.00	\$683.00
5-SIDED	42	42	30	\$ 476.00	\$683.00
5-SIDED	48	48	30	\$ 476.00	\$683.00
5-SIDED	54	54	30	\$ 948.00	\$1,362.00
5-SIDED	60	60	30	\$ 948.00	\$1,362.00

Shape	W1	W2	D	Handedness	V1 Upcharge	V2 Upcharge
UNITIZED	48	36	24	L	\$ 476.00	\$683.00
UNITIZED	54	36	24	L	\$ 476.00	\$683.00
UNITIZED	60	36	24	L	\$ 476.00	\$683.00
UNITIZED	66	36	24	L	\$ 476.00	\$683.00
UNITIZED	72	36	24	L	\$ 476.00	\$683.00
UNITIZED	78	36	24	L	\$ 476.00	\$683.00
UNITIZED	84	36	24	L	\$ 476.00	\$683.00
UNITIZED	90	36	24	L	\$ 476.00	\$683.00
UNITIZED	96	36	24	L	\$ 476.00	\$683.00
UNITIZED	102	36	24	L	\$ 476.00	\$683.00
UNITIZED	108	36	24	L	\$ 948.00	\$1,362.00
UNITIZED	48	36	24	R	\$ 476.00	\$683.00
UNITIZED	54	36	24	R	\$ 476.00	\$683.00
UNITIZED	60	36	24	R	\$ 476.00	\$683.00
UNITIZED	66	36	24	R	\$ 476.00	\$683.00
UNITIZED	72	36	24	R	\$ 476.00	\$683.00
UNITIZED	78	36	24	R	\$ 476.00	\$683.00
UNITIZED	84	36	24	R	\$ 476.00	\$683.00
UNITIZED	90	36	24	R	\$ 476.00	\$683.00
UNITIZED	96	36	24	R	\$ 476.00	\$683.00
UNITIZED	102	36	24	R	\$ 476.00	\$683.00
UNITIZED	108	36	24	R	\$ 948.00	\$1,362.00
UNITIZED	48	42	24	L	\$ 476.00	\$683.00
UNITIZED	54	42	24	L	\$ 476.00	\$683.00
UNITIZED	60	42	24	L	\$ 476.00	\$683.00
UNITIZED	66	42	24	L	\$ 476.00	\$683.00
UNITIZED	72	42	24	L	\$ 476.00	\$683.00
UNITIZED	78	42	24	L	\$ 476.00	\$683.00

Shape	W1	W2	D	Handedness	V1 Upcharge	V2 Upcharge
UNITIZED	84	42	24	L	\$ 476.00	\$683.00
UNITIZED	90	42	24	L	\$ 476.00	\$683.00
UNITIZED	96	42	24	L	\$ 476.00	\$683.00
UNITIZED	102	42	24	L	\$ 476.00	\$683.00
UNITIZED	108	42	24	L	\$ 948.00	\$1,362.00
UNITIZED	48	42	24	R	\$ 476.00	\$683.00
UNITIZED	54	42	24	R	\$ 476.00	\$683.00
UNITIZED	60	42	24	R	\$ 476.00	\$683.00
UNITIZED	66	42	24	R	\$ 476.00	\$683.00
UNITIZED	72	42	24	R	\$ 476.00	\$683.00
UNITIZED	78	42	24	R	\$ 476.00	\$683.00
UNITIZED	84	42	24	R	\$ 476.00	\$683.00
UNITIZED	90	42	24	R	\$ 476.00	\$683.00
UNITIZED	96	42	24	R	\$ 476.00	\$683.00
UNITIZED	102	42	24	R	\$ 476.00	\$683.00
UNITIZED	108	42	24	R	\$ 948.00	\$1,362.00
UNITIZED	48	42	30	L	\$ 476.00	\$683.00
UNITIZED	54	42	30	L	\$ 948.00	\$1,362.00
UNITIZED	60	42	30	L	\$ 948.00	\$1,362.00
UNITIZED	66	42	30	L	\$ 948.00	\$1,362.00
UNITIZED	72	42	30	L	\$ 948.00	\$1,362.00
UNITIZED	78	42	30	L	\$ 948.00	\$1,362.00
UNITIZED	84	42	30	L	\$ 948.00	\$1,362.00
UNITIZED	90	42	30	L	\$ 948.00	\$1,362.00
UNITIZED	96	42	30	L	\$ 948.00	\$1,362.00
UNITIZED	102	42	30	L	\$ 948.00	\$1,362.00
UNITIZED	108	42	30	L	\$ 948.00	\$1,362.00
UNITIZED	48	42	30	R	\$ 476.00	\$683.00
UNITIZED	54	42	30	R	\$ 948.00	\$1,362.00

Shape	W1	W2	D	Handedness	V1 Upcharge	V2 Upcharge
UNITIZED	60	42	30	R	\$ 948.00	\$1,362.00
UNITIZED	66	42	30	R	\$ 948.00	\$1,362.00
UNITIZED	72	42	30	R	\$ 948.00	\$1,362.00
UNITIZED	78	42	30	R	\$ 948.00	\$1,362.00
UNITIZED	84	42	30	R	\$ 948.00	\$1,362.00
UNITIZED	90	42	30	R	\$ 948.00	\$1,362.00
UNITIZED	96	42	30	R	\$ 948.00	\$1,362.00
UNITIZED	102	42	30	R	\$ 948.00	\$1,362.00
UNITIZED	108	42	30	R	\$ 948.00	\$1,362.00
UNITIZED	54	48	24	L	\$ 476.00	\$683.00
UNITIZED	60	48	24	L	\$ 476.00	\$683.00
UNITIZED	66	48	24	L	\$ 476.00	\$683.00
UNITIZED	72	48	24	L	\$ 476.00	\$683.00
UNITIZED	78	48	24	L	\$ 476.00	\$683.00
UNITIZED	84	48	24	L	\$ 948.00	\$1,362.00
UNITIZED	90	48	24	L	\$ 948.00	\$1,362.00
UNITIZED	96	48	24	L	\$ 948.00	\$1,362.00
UNITIZED	102	48	24	L	\$ 948.00	\$1,362.00
UNITIZED	108	48	24	L	\$ 948.00	\$1,362.00
UNITIZED	54	48	24	R	\$ 476.00	\$683.00
UNITIZED	60	48	24	R	\$ 476.00	\$683.00
UNITIZED	66	48	24	R	\$ 476.00	\$683.00
UNITIZED	72	48	24	R	\$ 476.00	\$683.00
UNITIZED	78	48	24	R	\$ 476.00	\$683.00
UNITIZED	84	48	24	R	\$ 948.00	\$1,362.00
UNITIZED	90	48	24	R	\$ 948.00	\$1,362.00
UNITIZED	96	48	24	R	\$ 948.00	\$1,362.00
UNITIZED	102	48	24	R	\$ 948.00	\$1,362.00
UNITIZED	108	48	24	R	\$ 948.00	\$1,362.00

Shape	W1	W2	D	Handedness	V1 Upcharge	V2 Upcharge
UNITIZED	54	48	30	L	\$ 948.00	\$1,362.00
UNITIZED	60	48	30	L	\$ 948.00	\$1,362.00
UNITIZED	66	48	30	L	\$ 948.00	\$1,362.00
UNITIZED	72	48	30	L	\$ 948.00	\$1,362.00
UNITIZED	78	48	30	L	\$ 948.00	\$1,362.00
UNITIZED	84	48	30	L	\$ 948.00	\$1,362.00
UNITIZED	90	48	30	L	\$ 948.00	\$1,362.00
UNITIZED	96	48	30	L	\$ 948.00	\$1,362.00
UNITIZED	102	48	30	L	\$ 948.00	\$1,362.00
UNITIZED	108	48	30	L	\$ 948.00	\$1,362.00
UNITIZED	54	48	30	R	\$ 948.00	\$1,362.00
UNITIZED	60	48	30	R	\$ 948.00	\$1,362.00
UNITIZED	66	48	30	R	\$ 948.00	\$1,362.00
UNITIZED	72	48	30	R	\$ 948.00	\$1,362.00
UNITIZED	78	48	30	R	\$ 948.00	\$1,362.00
UNITIZED	84	48	30	R	\$ 948.00	\$1,362.00
UNITIZED	90	48	30	R	\$ 948.00	\$1,362.00
UNITIZED	96	48	30	R	\$ 948.00	\$1,362.00
UNITIZED	102	48	30	R	\$ 948.00	\$1,362.00
UNITIZED	108	48	30	R	\$ 948.00	\$1,362.00
UNITIZED	60	54	24	L	\$ 476.00	\$683.00
UNITIZED	66	54	24	L	\$ 476.00	\$683.00
UNITIZED	72	54	24	L	\$ 476.00	\$683.00
UNITIZED	78	54	24	L	\$ 476.00	\$683.00
UNITIZED	84	54	24	L	\$ 948.00	\$1,362.00
UNITIZED	90	54	24	L	\$ 948.00	\$1,362.00
UNITIZED	96	54	24	L	\$ 948.00	\$1,362.00
UNITIZED	102	54	24	L	\$ 948.00	\$1,362.00
UNITIZED	108	54	24	L	\$ 948.00	\$1,362.00

Shape	W1	W2	D	Handedness	V1 Upcharge	V2 Upcharge
UNITIZED	60	54	24	R	\$ 476.00	\$683.00
UNITIZED	66	54	24	R	\$ 476.00	\$683.00
UNITIZED	72	54	24	R	\$ 476.00	\$683.00
UNITIZED	78	54	24	R	\$ 476.00	\$683.00
UNITIZED	84	54	24	R	\$ 948.00	\$1,362.00
UNITIZED	90	54	24	R	\$ 948.00	\$1,362.00
UNITIZED	96	54	24	R	\$ 948.00	\$1,362.00
UNITIZED	102	54	24	R	\$ 948.00	\$1,362.00
UNITIZED	108	54	24	R	\$ 948.00	\$1,362.00
UNITIZED	60	54	30	L	\$ 948.00	\$1,362.00
UNITIZED	66	54	30	L	\$ 948.00	\$1,362.00
UNITIZED	72	54	30	L	\$ 948.00	\$1,362.00
UNITIZED	78	54	30	L	\$ 948.00	\$1,362.00
UNITIZED	84	54	30	L	\$ 948.00	\$1,362.00
UNITIZED	90	54	30	L	\$ 948.00	\$1,362.00
UNITIZED	96	54	30	L	\$ 948.00	\$1,362.00
UNITIZED	102	54	30	L	\$ 948.00	\$1,362.00
UNITIZED	108	54	30	L	\$ 948.00	\$1,362.00
UNITIZED	60	54	30	R	\$ 948.00	\$1,362.00
UNITIZED	66	54	30	R	\$ 948.00	\$1,362.00
UNITIZED	72	54	30	R	\$ 948.00	\$1,362.00
UNITIZED	78	54	30	R	\$ 948.00	\$1,362.00
UNITIZED	84	54	30	R	\$ 948.00	\$1,362.00
UNITIZED	90	54	30	R	\$ 948.00	\$1,362.00
UNITIZED	96	54	30	R	\$ 948.00	\$1,362.00
UNITIZED	102	54	30	R	\$ 948.00	\$1,362.00
UNITIZED	108	54	30	R	\$ 948.00	\$1,362.00
UNITIZED	66	60	24	L	\$ 476.00	\$683.00
UNITIZED	72	60	24	L	\$ 476.00	\$683.00

Shape	W1	W2	D	Handedness	V1 Upcharge	V2 Upcharge
UNITIZED	78	60	24	L	\$ 476.00	\$683.00
UNITIZED	84	60	24	L	\$ 948.00	\$1,362.00
UNITIZED	90	60	24	L	\$ 948.00	\$1,362.00
UNITIZED	96	60	24	L	\$ 948.00	\$1,362.00
UNITIZED	102	60	24	L	\$ 948.00	\$1,362.00
UNITIZED	108	60	24	L	\$ 948.00	\$1,362.00
UNITIZED	66	60	24	R	\$ 476.00	\$683.00
UNITIZED	72	60	24	R	\$ 476.00	\$683.00
UNITIZED	78	60	24	R	\$ 476.00	\$683.00
UNITIZED	84	60	24	R	\$ 948.00	\$1,362.00
UNITIZED	90	60	24	R	\$ 948.00	\$1,362.00
UNITIZED	96	60	24	R	\$ 948.00	\$1,362.00
UNITIZED	102	60	24	R	\$ 948.00	\$1,362.00
UNITIZED	108	60	24	R	\$ 948.00	\$1,362.00
UNITIZED	66	60	30	L	\$ 948.00	\$1,362.00
UNITIZED	72	60	30	L	\$ 948.00	\$1,362.00
UNITIZED	78	60	30	L	\$ 948.00	\$1,362.00
UNITIZED	84	60	30	L	\$ 948.00	\$1,362.00
UNITIZED	90	60	30	L	\$ 948.00	\$1,362.00
UNITIZED	96	60	30	L	\$ 948.00	\$1,362.00
UNITIZED	102	60	30	L	\$ 948.00	\$1,362.00
UNITIZED	108	60	30	L	\$ 948.00	\$1,362.00
UNITIZED	66	60	30	R	\$ 948.00	\$1,362.00
UNITIZED	72	60	30	R	\$ 948.00	\$1,362.00
UNITIZED	78	60	30	R	\$ 948.00	\$1,362.00
UNITIZED	84	60	30	R	\$ 948.00	\$1,362.00
UNITIZED	90	60	30	R	\$ 948.00	\$1,362.00
UNITIZED	96	60	30	R	\$ 948.00	\$1,362.00
UNITIZED	102	60	30	R	\$ 948.00	\$1,362.00
UNITIZED	108	60	30	R	\$ 948.00	\$1,362.00

Shape	W1	W2	D	V1 Upcharge	V2 Upcharge
120 DEGREE	42	42	24	\$ 948.00	\$1,362.00
120 DEGREE	48	48	24	\$ 948.00	\$1,362.00
120 DEGREE	54	54	24	\$ 948.00	\$1,362.00
120 DEGREE	60	60	24	\$ 948.00	\$1,362.00
120 DEGREE	42	42	30	\$ 948.00	\$1,362.00
120 DEGREE	48	48	30	\$ 948.00	\$1,362.00
120 DEGREE	54	54	30	\$ 948.00	\$1,362.00
120 DEGREE	60	60	30	\$ 948.00	\$1,362.00