



Halifax Pricebook

Supply Arrangement (RFSA)
E60PQ-140003/D
March 2024

Tables & Casegoods

Caution	5
Tables	6
A-Leg	7
Super Ellipse Standing	8
Super Ellipse Seated	10
Super Ellipse Coffee	12
Rectangle Standing	14
Rectangle Seated	16
Rectangle Coffee	18
Rectangle Mobile	20
Video Standing	22
Video Seated	24
Square Seated	26
Square Coffee	27
Circle Seated	28
Circle Coffee	29
Squircle Seated	30
Squircle Coffee	31
Trilobe Seated	32
Trilobe Coffee	33
V-Leg	34
Super Ellipse Standing	34
Super Ellipse Seated	36
Super Ellipse Coffee	38
Rectangle Standing	40
Rectangle Seated	42
Rectangle Coffee	44
Video Standing	46
Video Seated	48
Square Seated	50
Square Coffee	51
Circle Seated	52
Circle Coffee	53
Squircle Seated	54
Squircle Coffee	55
Trilobe Seated	56
Trilobe Coffee	57

Desking	58
Freestanding A-Leg	60
Freestanding V-Leg	62
Freestanding Hanging Pedestal	64
Low Credenza Mount A-Leg Hutch & Gallery Wall	66
Low Credenza Mount A-Leg Short Gable	68
Low Credenza Mount V-Leg Hutch & Gallery Wall	70
Low Credenza Mount V-Leg Short Gable	72
Low Credenza Mount No Leg Hutch & Gallery Wall	74
Low Credenza Mount No Leg Short Gable	76
High Credenza Mount A leg	78
High Credenza Mount V leg	80
Height Adjustable Table	82
Height Adjustable Table Suspended Pedestal	84
Height Adjustable Table Credenza integrated	86
Height Adjustable Table Credenza & Pedestal	88
Worksurface No Grommet	90
Worksurface w/ Grommet	92
Bridge	94
Reinforcement Bar	96
Modesty	98
Worksurface Support & Hardware	100
Table Support	102
Storage	104
Pedestal Underdesk	106
Pedestal Underdesk w/ hinged Door	108
Pedestal Mobile	110
Lateral Underdesk & Freestanding Box/File	112
Lateral Single File	114
Lateral Freestanding File Drawers	116
Lateral Freestanding w/ Shelf	118
Lateral Underdesk w/ Shelf	119
Low Credenza Hinged Doors	120
Low Credenza Sliding Doors	122
Low Credenza Open & Lateral	124
Low Credenza End Cap	126
High Credenza Hinged Door	128

High Credenza Lateral & Doors	130
High Credenza Open & Lateral	132
High Credenza Shelf Above Sliding Door	134
High Credenza Open Shelf Above Lateral	136
Credenza Raised Back	137
Credenza Open End Box w/ Top	138
Cushion	140
Gallery Wall	142
Mobile Credenza Open & Lateral	144
Hutch Laminate w/ Hinged doors	146
Hutch Laminate w/ Sliding Door	148
Hutch Metal w/ Hinged doors	150
Hutch Metal w/ Sliding Door	152
Hutch Wall Mounted w/ Hinged door	154
Hutch Wall mounted w/ Sliding Door	156
Accent Shelf	158
Combo Cabinet Open Shelf/File Drawer	160
Combo Cabinet Lateral Storage	162
Locker Tower w/shelves	164
Locker w/ side access	166
Bookcase	168
Audio Visual Unit	170
Support	171
Audio Visual Mounted Video Table	172
Accessories	174
PET Acoustic board	176
Power	178
Purse Hook, Shelf, Metal Storage	179
Tasklight	180
Monitor Arm	181
Keyboard Tray	182
HPL upcharge for worksurfaces	183

Caution

Load Bottom Drawer First

- Operate one drawer at a time
- Units may tip if loaded incorrectly
- Units should be attached to a wall or other furniture to reduce tipping hazard
- Always load the heaviest files in the bottom drawer

Heavy Load

- Some products must be anchored to wall to ensure stability & safety.
- It is the owner and installers responsibility to ensure that the wall type and construction is of sufficient strength to carry the loads of any wall mounted products and their contents.
- Failure of the wall and anchors to support all imposed loads may result in property damage and/or personal injury.
- Tayco can provide size and empty weight of its products only. As wall blocking is considered a building construction process, Tayco cannot provide recommendations in this respect and cannot be responsible for damage or injury that may occur as a result of improper installation and/or blocking.

Instability Hazard

Mobile items on casters such as flip top, personal and movable tables of any type and storage items of any type may present an instability hazard if not secured correctly while in use or in storage. Flip top tables or training tables of any type, are inherently more unstable when folded. Tayco provides the following guidelines & warnings when using mobile products:

- Lock casters immediately after moving. Do not leave the casters unlocked when in use or in storage.
- Motion may increase the instability of any item with casters. If the wheels hit an obstruction the table's forward momentum often causes overturn, especially if the item is not equipped with wheel extensions. Exercise strong caution while moving these items.
- Use caution when abrupt level changes in the floor are present (such as a doorway or room threshold) as caster failure or tipping may result.
- Do not stand, sit or lean on mobile items for support. They are not intended for this use and personal injury or property damage may result.
- Mobile units that feature height adjustable elements must be lowered to the minimum compressed height when moving to prevent instability. It is also recommended the user remove all computer equipment or other accessories to prevent possible weight imbalance or damage to equipment.
- Failure to follow the guidelines above may result in property damage or personal injury.



Halifax Pricebook February 2024 Tables

Tables

A-Leg

Super Ellipse Standing	8
Super Ellipse Seated	10
Super Ellipse Coffee	12
Rectangle Standing	14
Rectangle Seated	16
Rectangle Coffee	18
Rectangle Mobile	20
Video Standing	22
Video Seated	24
Square Seated	26
Square Coffee	27
Circle Seated	28
Circle Coffee	29
Squircle Seated	30
Squircle Coffee	31
Trilobe Seated	32
Trilobe Coffee	33

V-Leg

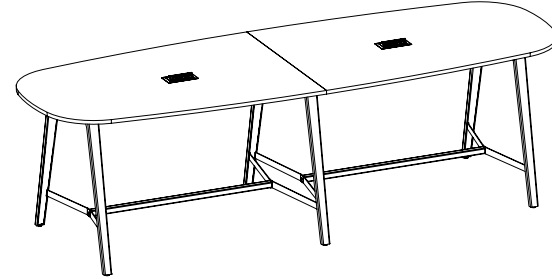
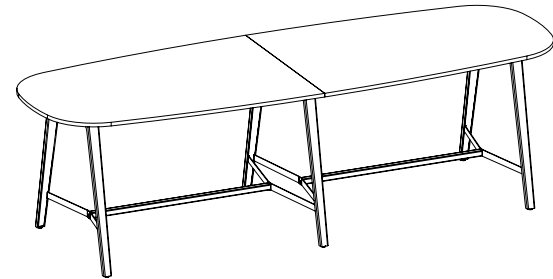
Super Ellipse Standing	34
Super Ellipse Seated	36
Super Ellipse Coffee	38
Rectangle Standing	40
Rectangle Seated	42
Rectangle Coffee	44
Video Standing	46
Video Seated	48
Square Seated	50
Square Coffee	51
Circle Seated	52
Circle Coffee	53
Squircle Seated	54
Squircle Coffee	55
Trilobe Seated	56
Trilobe Coffee	57



No Power



With Power



What's Included:

- 1" thick super ellipse top
- Sizes: 60"-96: 1-piece top, 4 A-legs with removable infill
- Sizes: 108"-144: 2-piece top, 6 A-legs with removable infill
- Reinforcement bar(s)
- Leg support structure
- Optional Electrics

In-surface powered option comes with one grommet per table piece with 2 AC outlets, dual USB-A chargers, and a blank slot to add an optional HDMI, RJ11, or RJ45 (see [page 180](#) for more options)

How to Specify:

Table is sold with base

Each laminate comes with matching vinyl trim unless otherwise specified on the order cover sheet

Infill can match the paint finish of the A-leg or can be specified in a different finish

Options:

Widths: 72", 84", 96", 108", 120", 132", 144"

Depths: 30", 36", 42", 48"

Worksurface Laminate

A-Leg paint

A-Leg infill paint

Electrics

Notes:

Table corners have 4" radius

Table legs come with adjustable glides up to 1/2"

A-leg has removable infill for wire management capabilities

One of the A-Legs will come with an infill with a small hole to run wires out the bottom

Reinforcement bars have wire management capabilities

Optional Electrics

In-surface power+USB module available, offered in silver finish

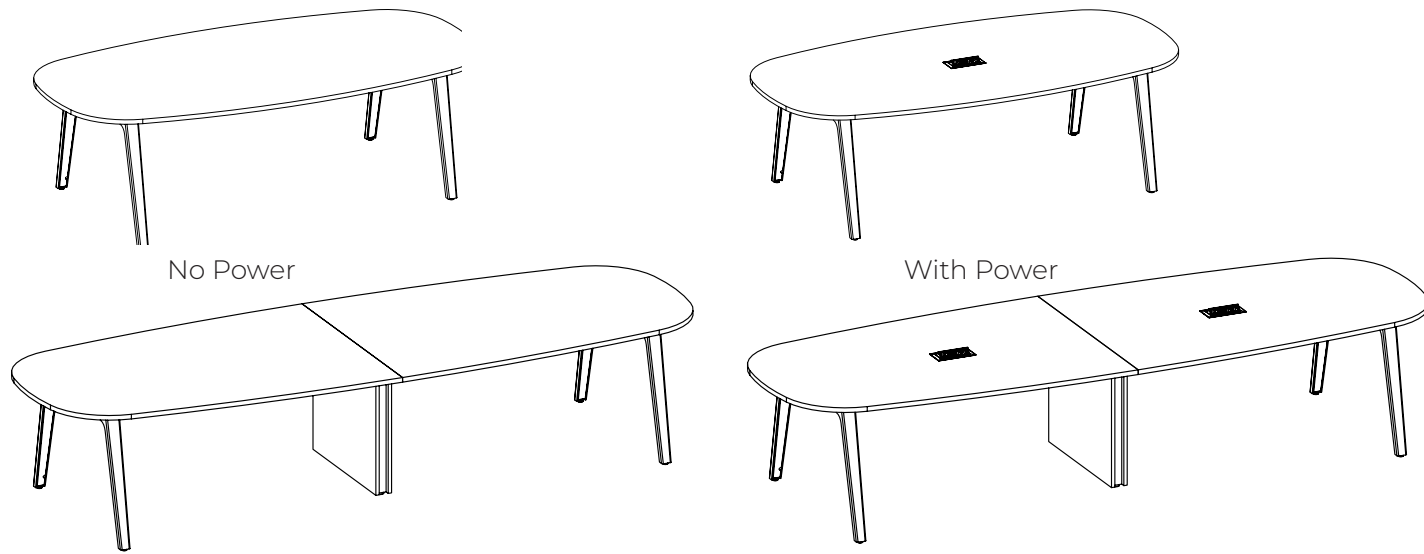
Optional side-mount USB module, offered in black finish

No Power

Code	Price	H	W	D	Vol.	Wt.
H-MEAN-427236	2483	42	72	36	7	104
H-MEAN-427242	3089	42	72	42	8	121
H-MEAN-427248	3275	42	72	48	10	138
H-MEAN-428436	2567	42	84	36	8	121
H-MEAN-428442	3183	42	84	42	10	141
H-MEAN-428448	3376	42	84	48	11	161
H-MEAN-429636	2715	42	96	36	10	138
H-MEAN-429642	3334	42	96	42	11	161
H-MEAN-429648	3535	42	96	48	13	184
H-MEAN-4210836	3257	42	108	36	11	156
H-MEAN-4210842	5168	42	108	42	13	181
H-MEAN-4210848	5384	42	108	48	14	207
H-MEAN-4212036	3419	42	120	36	12	173
H-MEAN-4212042	5358	42	120	42	14	202
H-MEAN-4212048	5575	42	120	48	16	230
H-MEAN-4213236	3499	42	132	36	13	190
H-MEAN-4213242	5465	42	132	42	15	222
H-MEAN-4213248	5681	42	132	48	18	253
H-MEAN-4214436	3579	42	144	36	14	207
H-MEAN-4214442	5619	42	144	42	17	242
H-MEAN-4214448	5818	42	144	48	19	276

Power

Code	Price	H	W	D	Vol.	Wt.
H-MEAP-427242	4115	42	72	42	8	121
H-MEAP-427248	4300	42	72	48	10	138
H-MEAP-428442	4207	42	84	42	10	141
H-MEAP-428448	4400	42	84	48	11	161
H-MEAP-429642	4359	42	96	42	11	161
H-MEAP-429648	4561	42	96	48	13	184
H-MEAP-4210842	7826	42	108	42	13	181
H-MEAP-4210848	8043	42	108	48	14	207
H-MEAP-4212042	8014	42	120	42	14	202
H-MEAP-4212048	8231	42	120	48	16	230
H-MEAP-4213242	8122	42	132	42	15	222
H-MEAP-4213248	8338	42	132	48	18	253
H-MEAP-4214442	8275	42	144	42	17	242
H-MEAP-4214448	8477	42	144	48	19	276



What's Included:

- 1" thick super ellipse top
- Sizes: 60"-96: 1-piece top, 4 A-legs with removable infill
- Sizes: 108"-144: 2-piece top, 4 A-legs with removable infill and mid plinth
- Reinforcement bar(s)
- Optional Electrics
 - In-surface powered option comes with one grommet per table piece with 2 AC outlets, dual USB-A chargers, and a blank slot to add an optional HDMI, RJ11, or RJ45 (see [page 178](#) for more options)

How to Specify:

Table is sold with base

Each laminate comes with matching vinyl trim unless otherwise specified on the order cover sheet

Infill can match the paint finish of the A-leg or can be specified in a different finish

Options:

Widths: 72", 84", 96", 108", 120", 132", 144"

Depths: 30", 36", 42", 48"

Worksurface Laminate

A-Leg paint

A-Leg infill paint

Electrics

Notes:

Table corners have 4" radius

Table legs come with adjustable glides up to 1/2"

A-leg has removable infill for wire management capabilities

One of the A-Legs will come with an infill with a small hole to run wires out the bottom

Reinforcement bars have wire management capabilities

Optional Electrics

In-surface power+USB module available, offered in silver finish

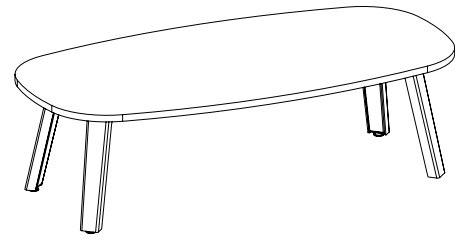
Optional side-mount USB module, offered in black finish

No Power

Code	Price	H	W	D	Vol.	Wt.
H-MEAN-297236	2264	29	72	36	5.22	75.17
H-MEAN-297242	2330	29	72	42	6.09	87.7
H-MEAN-297248	2519	29	72	48	6.96	100.22
H-MEAN-298436	2346	29	84	36	6.09	87.7
H-MEAN-298442	2420	29	84	42	7.11	102.31
H-MEAN-298448	2616	29	84	48	8.12	116.93
H-MEAN-299636	2484	29	96	36	6.96	100.22
H-MEAN-299642	2565	29	96	42	8.12	116.93
H-MEAN-299648	2770	29	96	48	9.28	133.63
H-MEAN-2910836	3720	29	108	36	7.83	112.75
H-MEAN-2910842	4077	29	108	42	9.14	131.54
H-MEAN-2910848	4221	29	108	48	10.44	150.34
H-MEAN-2912036	3874	29	120	36	10.44	150.34
H-MEAN-2912042	4258	29	120	42	10.15	146.16
H-MEAN-2912048	4402	29	120	48	11.6	167.04
H-MEAN-2913236	3920	29	132	36	9.57	137.81
H-MEAN-2913242	4330	29	132	42	11.17	160.78
H-MEAN-2913248	4476	29	132	48	12.76	183.74
H-MEAN-2914436	4042	29	144	36	10.44	150.34
H-MEAN-2914442	4477	29	144	42	12.18	175.39
H-MEAN-2914448	4626	29	144	48	12.18	175.39

Power

Code	Price	H	W	D	Vol.	Wt.
H-MEAP-297236	3284	29	72	36	5.22	75.17
H-MEAP-297242	3356	29	72	42	6.09	87.7
H-MEAP-297248	3544	29	72	48	6.96	100.22
H-MEAP-298436	3366	29	84	36	6.09	87.7
H-MEAP-298442	3446	29	84	42	7.11	102.31
H-MEAP-298448	3640	29	84	48	8.12	116.93
H-MEAP-299636	3510	29	96	36	6.96	100.22
H-MEAP-299642	3589	29	96	42	8.12	116.93
H-MEAP-299648	3792	29	96	48	9.28	133.63
H-MEAP-2910836	6377	29	108	36	7.83	112.75
H-MEAP-2910842	6732	29	108	42	9.14	131.54
H-MEAP-2910848	6878	29	108	48	10.44	150.34
H-MEAP-2912036	6531	29	120	36	8.7	125.28
H-MEAP-2912042	6913	29	120	42	10.15	146.16
H-MEAP-2912048	7062	29	120	48	11.6	167.04
H-MEAP-2913236	6577	29	132	36	9.57	137.81
H-MEAP-2913242	6988	29	132	42	11.17	160.78
H-MEAP-2913248	7134	29	132	48	12.76	183.74
H-MEAP-2914436	6696	29	144	36	10.44	150.34
H-MEAP-2914442	7135	29	144	42	12.18	175.39
H-MEAP-2914448	7282	29	144	48	13.92	200.45



Coffee Table

What's Included:

- 3/4" thick super ellipse top
- 4 A-legs with infill

How to Specify:

Table is sold with base

Each laminate comes with matching vinyl trim unless otherwise specified on the order cover sheet

Infill can match the paint finish of the A-leg or can be specified in a different finish

Notes:

Table corners have 4" radius

Table legs come with adjustable glides up to 1/2"

A-leg has removable infill for wire management capabilities

One of the A-Legs will come with an infill with a small hole to run wires out the bottom

Options:

24"D: Widths: 36", 42", 48", 54", 60"

30"D: Widths: 48", 54", 60"

36"D: Widths: 60"

Height: 14"

Worksurface Laminate

A-Leg paint finish

A-Leg infill paint finish

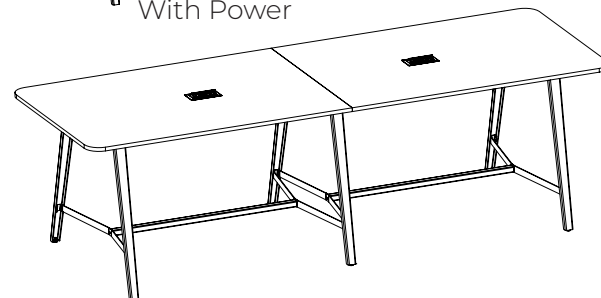
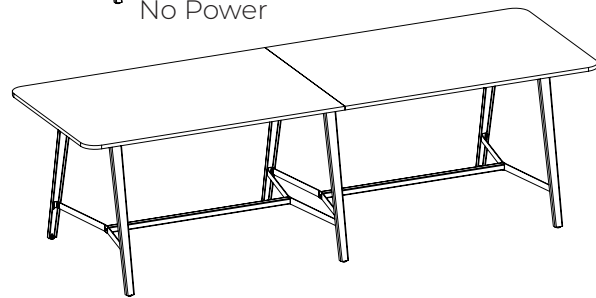
Code	Price	H	W	D	Volume	Weight
H-TEAN-143624	1213	14	36	24	1	12
H-TEAN-144224	1227	14	42	24	1	14
H-TEAN-144824	1244	14	48	24	1	16
H-TEAN-144830	1272	14	48	30	1	20
H-TEAN-145424	1260	14	54	24	1	18
H-TEAN-145430	1292	14	54	30	2	23
H-TEAN-146024	1274	14	60	24	1	20
H-TEAN-146030	1310	14	60	30	2	25
H-TEAN-146036	1348	14	60	36	2	30



No Power



With Power



What's Included:

- 1" thick rectangular top
- Sizes: 60"-96: 1-piece top, 4 A-legs with removable infill
- Sizes: 108"-144: 2-piece top, 6 A-legs with removable infill
- Reinforcement bar(s)
- Optional Electrics

In-surface powered option comes with one grommet per table piece with 2 AC outlets, dual USB-A chargers, and a blank slot to add an optional HDMI, RJ11, or RJ45 (see [page 178](#) for more options)

How to Specify:

Table is sold with base

Each laminate comes with matching vinyl trim unless otherwise specified on the order cover sheet

Infill can match the paint finish of the A-leg or can be specified in a different finish

Options:

Widths: 60", 72", 84", 96", 108", 120", 132", 144"

Depths: 36", 42", 48"

Height: 42"

Worksurface Laminate

A-Leg & leg support structure paint finish

A-Leg infill paint finish

Electrics

Notes:

Table corners have 4" radius

Table legs come with adjustable glides up to 1/2"

A-leg has removable infill for wire management capabilities

One of the A-Legs will come with an infill with a small hole to run wires out the bottom

Reinforcement bars have wire management capabilities

Optional Electrics

In-surface power+USB module available, offered in silver finish

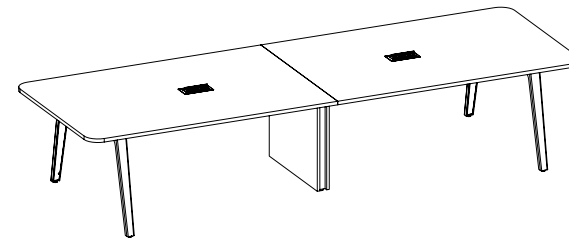
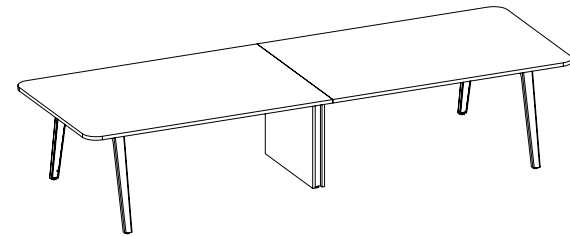
Optional side-mount USB module, offered in black finish

No Power

Code	Price	H	W	D	Vol.	Wt.
H-MRAN-426036	2742	42	60	36	6	86
H-MRAN-426042	3052	42	60	42	7	101
H-MRAN-426048	3140	42	60	48	8	115
H-MRAN-427236	2991	42	72	36	7	104
H-MRAN-427242	3175	42	72	42	8	121
H-MRAN-427248	3273	42	72	48	10	138
H-MRAN-428436	3077	42	84	36	8	121
H-MRAN-428442	3271	42	84	42	10	141
H-MRAN-428448	3373	42	84	48	11	161
H-MRAN-429636	3220	42	96	36	10	138
H-MRAN-429642	3423	42	96	42	11	161
H-MRAN-429648	3531	42	96	48	13	184
H-MRAN-4210836	4794	42	108	36	11	156
H-MRAN-4210842	5272	42	108	42	13	181
H-MRAN-4210848	5370	42	108	48	14	207
H-MRAN-4212036	4953	42	120	36	12	173
H-MRAN-4212042	5459	42	120	42	14	202
H-MRAN-4212048	5559	42	120	48	16	230
H-MRAN-4213236	5037	42	132	36	13	190
H-MRAN-4213242	5569	42	132	42	15	222
H-MRAN-4213248	5666	42	132	48	18	253
H-MRAN-4214436	5163	42	144	36	14	207
H-MRAN-4214442	5723	42	144	42	17	242
H-MRAN-4214448	5822	42	144	48	19	276

Power

Code	Price	H	W	D	Vol.	Wt.
H-MRAP-426036	3768	42	60	36	6	86
H-MRAP-426042	4077	42	60	42	7	101
H-MRAP-426048	4164	42	60	48	8	115
H-MRAP-427236	4013	42	72	36	7	104
H-MRAP-427242	4202	42	72	42	8	121
H-MRAP-427248	4297	42	72	48	10	138
H-MRAP-428436	4101	42	84	36	8	121
H-MRAP-428442	4294	42	84	42	10	141
H-MRAP-428448	4398	42	84	48	11	161
H-MRAP-429636	4245	42	96	36	10	138
H-MRAP-429642	4446	42	96	42	11	161
H-MRAP-429648	4558	42	96	48	13	184
H-MRAP-4210836	7452	42	108	36	11	156
H-MRAP-4210842	7929	42	108	42	13	181
H-MRAP-4210848	8028	42	108	48	14	207
H-MRAP-4212036	7614	42	120	36	12	173
H-MRAP-4212042	8119	42	120	42	14	202
H-MRAP-4212048	8216	42	120	48	16	230
H-MRAP-4213236	7692	42	132	48	13	190
H-MRAP-4213242	8223	42	132	42	15	222
H-MRAP-4213248	8323	42	132	48	18	253
H-MRAP-4214436	7821	42	144	36	14	207
H-MRAP-4214442	8379	42	144	42	17	242
H-MRAP-4214448	8478	42	144	48	19	276



What's Included:

- 1" thick rectangular top
- Sizes: 60"-96: 1-piece top, 4 A-legs with removable infill
- Sizes: 108"-144: 2-piece top, 4 A-legs with removable infill and mid plinth
- Reinforcement bar(s)
- Optional Electrics

In-surface powered option comes with one grommet per table piece with 2 AC outlets, dual USB-A chargers, and a blank slot to add an optional HDMI, RJ11, or RJ45 (see [page 178](#) for more options)

How to Specify:

Table is sold with base

Each laminate comes with matching vinyl trim unless otherwise specified on the order cover sheet

Infill can match the paint finish of the A-leg or can be specified in a different finish

Options:

Widths: 60", 72", 84", 96", 108", 120", 132", 144"

Depths: 30", 36", 42", 48"

Worksurface Laminate

A-Leg paint

A-Leg infill paint

Electrics

Notes:

Table corners have 4" radius

Table legs come with adjustable glides up to 1/2"

A-leg has removable infill for wire management capabilities

One of the A-Legs will come with an infill with a small hole to run wires out the bottom

Reinforcement bars have wire management capabilities

Optional Electrics

In-surface power+USB module available, offered in silver finish

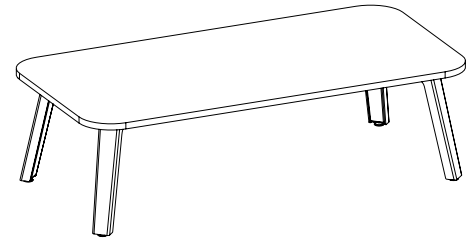
Optional side-mount USB module, offered in black finish

No Power

Code	Price	H	W	D	Vol.	Wt.
H-MRAN-296030	2126	29	60	30	4	52
H-MRAN-296036	2189	29	60	36	4	63
H-MRAN-296042	2369	29	60	42	5	73
H-MRAN-296048	2421	29	60	48	6	84
H-MRAN-297230	2219	29	72	30	4	63
H-MRAN-297236	2285	29	72	36	5	75
H-MRAN-297242	2398	29	72	42	6	88
H-MRAN-297248	2533	29	72	48	6	88
H-MRAN-298430	2296	29	84	30	5	73
H-MRAN-298436	2369	29	84	36	6	88
H-MRAN-298442	2566	29	84	42	7	102
H-MRAN-298448	2631	29	84	48	8	117
H-MRAN-299630	2426	29	96	30	6	84
H-MRAN-299636	2506	29	96	36	7	100
H-MRAN-299642	2709	29	96	42	8	117
H-MRAN-299648	2783	29	96	48	9	134
H-MRAN-2910830	3656	29	108	30	7	94
H-MRAN-2910836	3743	29	108	36	8	113
H-MRAN-2910842	4221	29	108	42	9	132
H-MRAN-2910848	4237	29	108	48	10	150
H-MRAN-2912030	3800	29	120	30	7	104
H-MRAN-2912036	3899	29	120	36	9	125
H-MRAN-2912042	4402	29	120	42	10	146
H-MRAN-2912048	4419	29	120	48	12	167
H-MRAN-2913230	3839	29	132	30	8	115
H-MRAN-2913236	3942	29	132	36	10	138
H-MRAN-2913242	4476	29	132	42	11	161
H-MRAN-2913248	4491	29	132	48	13	184
H-MRAN-2914430	3954	29	144	30	9	125
H-MRAN-2914436	4065	29	144	36	10	150
H-MRAN-2914442	4626	29	144	42	12	175
H-MRAN-2914448	4640	29	144	48	14	200

Power

Code	Price	H	W	D	Vol.	Wt.
H-MRAP-296030	3151	29	60	30	4	52
H-MRAP-296036	3211	29	60	36	4	63
H-MRAP-296042	3396	29	60	42	5	73
H-MRAP-296048	3447	29	60	48	6	84
H-MRAP-297230	3245	29	72	30	4	63
H-MRAP-297236	3310	29	72	36	5	75
H-MRAP-297242	3423	29	72	42	6	88
H-MRAP-297248	3559	29	72	48	7	100
H-MRAP-298430	3321	29	84	30	5	73
H-MRAP-298436	3396	29	84	36	6	88
H-MRAP-298442	3590	29	84	42	7	102
H-MRAP-298448	3657	29	84	48	8	117
H-MRAP-299630	3451	29	96	30	6	84
H-MRAP-299636	3531	29	96	36	7	100
H-MRAP-299642	3734	29	96	42	8	117
H-MRAP-299648	3809	29	96	48	9	134
H-MRAP-2910830	6311	29	108	30	7	94
H-MRAP-2910836	6402	29	108	36	8	113
H-MRAP-2910842	6878	29	108	42	9	132
H-MRAP-2910848	6895	29	108	48	10	150
H-MRAP-2912030	6460	29	120	30	7	104
H-MRAP-2912036	6555	29	120	36	9	125
H-MRAP-2912042	7062	29	120	42	10	146
H-MRAP-2912048	7076	29	120	48	12	167
H-MRAP-2913230	6501	29	132	30	8	115
H-MRAP-2913236	6601	29	132	36	10	138
H-MRAP-2913242	7134	29	132	42	11	161
H-MRAP-2913248	7149	29	132	48	11	184
H-MRAP-2914430	6613	29	144	30	9	125
H-MRAP-2914436	6720	29	144	36	10	150
H-MRAP-2914442	7282	29	144	42	12	175
H-MRAP-2914448	7298	29	144	48	14	200



Coffee Table

What's Included:

- 3/4" thick rectangular top
- 4 A-legs with infill

How to Specify:

Table is sold with base

Each laminate comes with matching vinyl trim unless otherwise specified on the order cover sheet

Infill can match the paint finish of the A-leg or can be specified in a different finish

Notes:

Table corners have 4" radius

Table legs come with adjustable glides up to 1/2"

A-leg has removable infill for wire management capabilities

One of the A-Legs will come with an infill with a small hole to run wires out the bottom

Options:

24"D: Widths: 36", 42", 48", 54", 60"

30"D: Widths: 48", 54", 60"

36"D: Widths: 60"

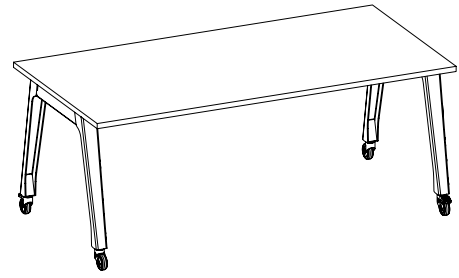
Height: 14"

Worksurface Laminate

A-Leg paint finish

A-Leg infill paint finish

Code	Price	H	W	D	Volume	Weight
H-TRAN-143624	1187	14	36	24	1	12
H-TRAN-144224	1202	14	42	24	1	14
H-TRAN-144824	1215	14	48	24	1	16
H-TRAN-144830	1244	14	48	30	1	20
H-TRAN-145424	1231	14	54	24	1	18
H-TRAN-145430	1266	14	54	30	2	23
H-TRAN-146024	1246	14	60	24	1	20
H-TRAN-146030	1283	14	60	30	2	25
H-TRAN-146036	1318	14	60	36	2	30



Mobile Table

What's Included:

- 1" thick rectangular top
- 4 A-legs with caster cover
- 4 casters

How to Specify:

Table is sold with base and casters

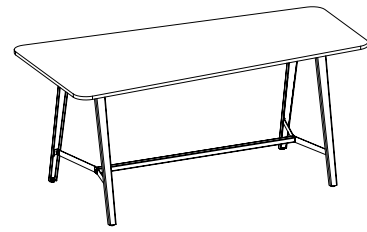
Notes:

Table corners have 4" radius
 One of the A-Legs will come with an infill with a small hole to run wires out the bottom

Options:

- 24"D: Widths: 36", 42", 48", 54", 60", 72"
- 30"D: Widths: 48", 54", 60", 72"
- 36"D: Widths: 60", 72"
- Height: 29"
- Worksurface Laminate
- A-Leg paint finish
- A-Leg caster cover paint

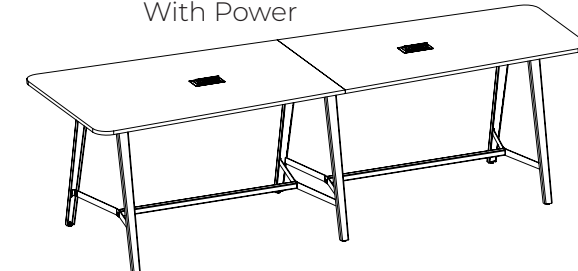
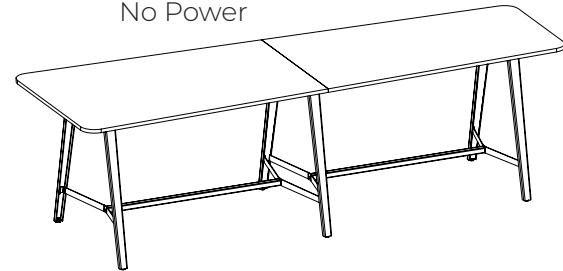
Code	Price	H	W	D	Volume	Weight
H-ZRAN-293624	1408	29	36	24	2	25
H-ZRAN-294224	1421	29	42	24	2	29
H-ZRAN-294824	1887	29	48	24	2	33
H-ZRAN-295424	1915	29	54	24	3	38
H-ZRAN-296024	1954	29	60	24	3	42
H-ZRAN-297224	2018	29	72	24	3	50
H-ZRAN-294830	2206	29	48	30	3	42
H-ZRAN-295430	2257	29	54	30	3	47
H-ZRAN-296030	2319	29	60	30	4	52
H-ZRAN-297230	2426	29	72	30	4	63
H-ZRAN-296036	2408	29	60	36	4	63
H-ZRAN-297236	2522	29	72	36	5	75



No Power



With Power



What's Included:

- 1" thick video top
- Sizes: 60"-96": 1-piece top, 4 A-legs with removable infill
- Sizes: 108"-144": 2-piece top, 6 A-legs with removable infill
- Reinforcement bar(s)
- Optional Electrics
 - In-surface powered option comes with one grommet per table piece with 2 AC outlets, dual USB-A chargers, and a blank slot to add an optional HDMI, RJ11, or RJ45 (see [page 178](#) for more options)

How to Specify:

Table is sold with base

Each laminate comes with matching vinyl trim unless otherwise specified on the order cover sheet

Infill can match the paint finish of the A-leg or can be specified in a different finish

Notes:

- Table corners have 4" radius
- Table legs come with adjustable glides up to 1/2"
- A-leg has removable infill for wire management capabilities
- One of the A-Legs will come with an infill with a small hole to run wires out the bottom
- Reinforcement bars have wire management capabilities
- Optional Electrics
 - In-surface power+USB module available, offered in silver finish
 - Optional side-mount USB module, offered in black finish

Options:

Widths: 72", 84", 96", 108", 120", 132", 144"

Depths: 48"

Worksurface Laminate

A-Leg paint

A-Leg infill paint

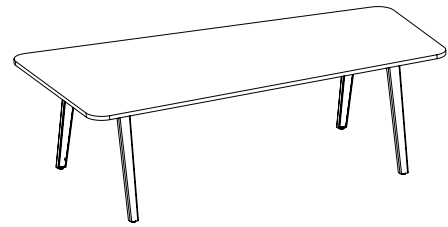
Electrics

No Power

Code	Price	H	W	D	Vol.	Wt.
H-MVAN-427248	3204	42	72	48	10	138
H-MVAN-428448	3303	42	84	48	11	161
H-MVAN-429648	3462	42	96	48	13	184
H-MVAN-4210848	5314	42	108	48	14	207
H-MVAN-4212048	5501	42	120	48	16	230
H-MVAN-4213248	5608	42	132	48	18	253
H-MVAN-4214448	5763	42	144	48	19	276

Power

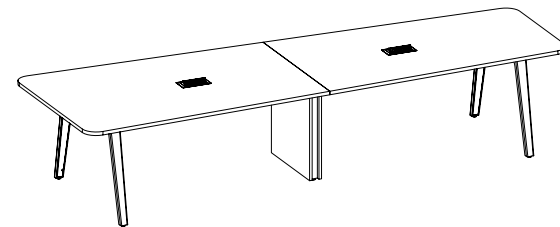
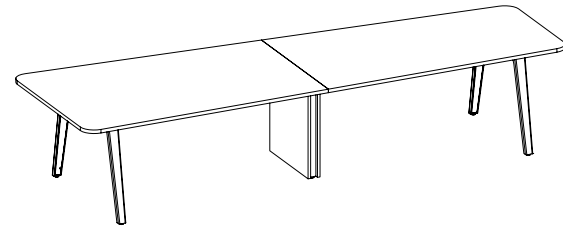
Code	Price	H	W	D	Vol.	Wt.
H-MVAP-427248	4229	42	72	48	10	138
H-MVAP-428448	4329	42	84	48	11	161
H-MVAP-429648	4487	42	96	48	13	184
H-MVAP-4210848	7972	42	108	48	14	207
H-MVAP-4212048	8159	42	120	48	16	230
H-MVAP-4213248	8267	42	132	48	18	253
H-MVAP-4214448	8422	42	144	48	19	276



No Power



With Power



What's Included:

- 1" thick video top
- Sizes: 60"-96: 1-piece top, 4 A-legs with removable infill
- Sizes: 108"-144: 2-piece top, 4 A-legs with removable infill and mid plinth
- Reinforcement bar(s)
- Optional Electrics

In-surface powered option comes with one grommet per table piece with 2 AC outlets, dual USB-A chargers, and a blank slot to add an optional HDMI, RJ11, or RJ45 (see [page 178](#) for more options)

How to Specify:

Table is sold with base

Each laminate comes with matching vinyl trim unless otherwise specified on the order cover sheet

Infill can match the paint finish of the A-leg or can be specified in a different finish

Options:

Widths: 72", 84", 96", 108", 120", 132", 144"

Depths: 42", 48"

Worksurface Laminate

A-Leg paint

A-Leg infill paint

Electrics

Notes:

Table corners have 4" radius

Table legs come with adjustable glides up to 1/2"

A-leg has removable infill for wire management capabilities

One of the A-Legs will come with an infill with a small hole to run wires out the bottom

Reinforcement bars have wire management capabilities

Optional Electrics

In-surface power+USB module available, offered in silver finish

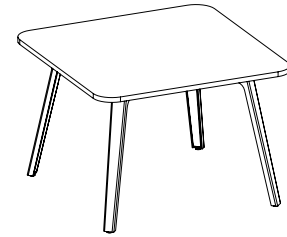
Optional side-mount USB module, offered in black finish

No Power

Code	Price	H	W	D	Vol.	Wt.
H-MVAN-297242	2347	29	72	42	6	88
H-MVAN-297248	2474	29	72	48	7	100
H-MVAN-298442	2436	29	84	42	7	102
H-MVAN-298448	2569	29	84	48	8	117
H-MVAN-299642	2580	29	96	42	8	117
H-MVAN-299648	2721	29	96	48	9	134
H-MVAN-2910842	3938	29	108	42	9	132
H-MVAN-2910848	4057	29	108	48	10	150
H-MVAN-2912042	4117	29	120	42	10	146
H-MVAN-2912048	4240	29	120	48	12	167
H-MVAN-2913242	4193	29	132	42	11	161
H-MVAN-2913248	4311	29	132	48	13	184
H-MVAN-2914442	4342	29	144	42	12	175
H-MVAN-2914448	4460	29	144	48	14	200

Power

Code	Price	H	W	D	Vol.	Wt.
H-MVAP-297242	3372	29	72	42	6	88
H-MVAP-297248	3499	29	72	48	7	100
H-MVAP-298442	3461	29	84	42	7	102
H-MVAP-298448	3594	29	84	48	8	117
H-MVAP-299642	3606	29	96	42	8	117
H-MVAP-299648	3746	29	96	48	9	134
H-MVAP-2910842	6592	29	108	42	9	132
H-MVAP-2910848	6715	29	108	48	10	150
H-MVAP-2912042	6777	29	120	42	10	146
H-MVAP-2912048	6895	29	120	48	12	167
H-MVAP-2913242	6848	29	132	42	11	161
H-MVAP-2913248	6972	29	132	48	13	184
H-MVAP-2914442	6997	29	144	42	12	175
H-MVAP-2914448	7116	29	144	48	14	200



What's Included:

- 1" thick square top
- 4 A-legs with removable infill

How to Specify:

Table is sold with base

Each laminate comes with matching vinyl trim unless otherwise specified on the order cover sheet

Infill can match the paint finish of the A-leg or can be specified in a different finish

Notes:

Table corners have 4" radius

Table legs come with adjustable glides up to 1/2"

A-leg has removable infill for wire management capabilities

One of the A-Legs will come with an infill with a small hole to run wires out the bottom

Options:

Widths: 36", 42", 48"

Depths: 36", 42", 48"

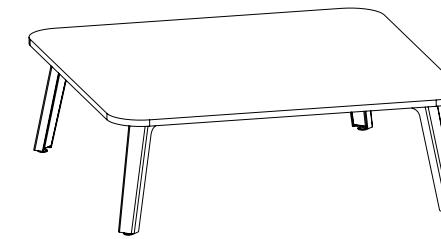
Worksurface Laminate

A-Leg paint

A-Leg infill paint

Electrics

Code	Price	H	W	D	Volume	Weight
H-MSAN-293636	2218	29	36	36	3	38
H-MSAN-294242	2240	29	42	42	4	51
H-MSAN-294848	2258	29	48	48	5	67



Coffee Table

What's Included:

- 3/4" thick square top
- 4 A-legs with infill

How to Specify:

Table is sold with base

Each laminate comes with matching vinyl trim unless otherwise specified on the order cover sheet

Infill can match the paint finish of the A-leg or can be specified in a different finish

Notes:

Table corners have 4" radius

Table legs come with adjustable glides up to 1/2"

A-leg has removable infill for wire management capabilities

Options:

Depths: 30", 36", 42", 48"

Height: 14"

Worksurface Laminate

A-Leg paint finish

A-Leg infill paint finish

Code	Price	H	W	D	Volume	Weight
H-TSAN-143030	1189	14	30	30	1	13
H-TSAN-143636	1229	14	36	36	1	18
H-TSAN-144242	1356	14	42	42	2	25
H-TSAN-144848	1390	14	48	48	2	32



What's Included:

- 1" circle top
- 3 A-legs with removable infill

How to Specify:

Table is sold with base

Each laminate comes with matching vinyl trim unless otherwise specified on the order cover sheet

Infill can match the paint finish of the A-leg or can be specified in a different finish

Notes:

Table corners have 4" radius

Table legs come with adjustable glides up to 1/2"

A-leg has removable infill for wire management capabilities

One of the A-Legs will come with an infill with a small hole to run wires out the bottom

Options:

Widths: 36", 42", 48"

Depths: 36", 42", 48"

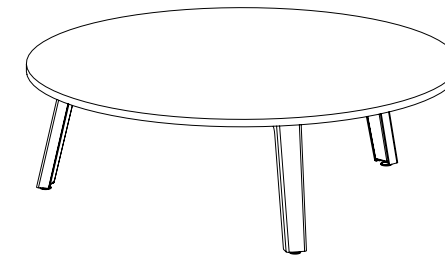
Worksurface Laminate

A-Leg paint

A-Leg infill paint

Electrics

Code	Price	H	W	D	Volume	Weight
H-MOAN-293636	1621	29	36	36	3	38
H-MOAN-294242	1856	29	42	42	4	51
H-MOAN-294848	1872	29	48	48	5	67



Coffee Table

What's Included:

- 3/4" thick circle top
- 3 A-legs with infill

How to Specify:

Table is sold with base

Each laminate comes with matching vinyl trim unless otherwise specified on the order cover sheet

Infill can match the paint finish of the A-leg or can be specified in a different finish

Notes:

Table corners have 4" radius

Table legs come with adjustable glides up to 1/2"

A-leg has removable infill for wire management capabilities

Options:

Depths: 30", 36", 42", 48"

Height: 14"

Worksurface Laminate

A-Leg paint finish

A-Leg infill paint finish

Code	Price	H	W	D	Volume	Weight
H-TOAN-143030	969	14	30	30	1	13
H-TOAN-143636	1099	14	36	36	1	18
H-TOAN-144242	1137	14	42	42	2	25
H-TOAN-144848	1169	14	48	48	2	32



What's Included:

- 1" squircle top
- 4 A-legs with removable infill

How to Specify:

Table is sold with base

Each laminate comes with matching vinyl trim unless otherwise specified on the order cover sheet

Infill can match the paint finish of the A-leg or can be specified in a different finish

Notes:

Table corners have 4" radius

Table legs come with adjustable glides up to 1/2"

A-leg has removable infill for wire management capabilities

One of the A-Legs will come with an infill with a small hole to run wires out the bottom

Options:

Widths: 36", 42", 48"

Depths: 36", 42", 48"

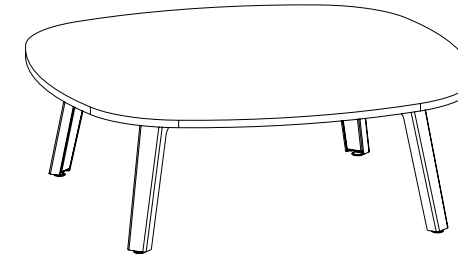
Worksurface Laminate

A-Leg paint

A-Leg infill paint

Electrics

Code	Price	H	W	D	Volume	Weight
H-MQAN-293636	2063	29	36	36	3	38
H-MQAN-294242	2297	29	42	42	4	51
H-MQAN-294848	2311	29	48	48	5	67



Coffee Table

What's Included:

- 3/4" thick squircle top
- 4 A-legs with infill

How to Specify:

Table is sold with base

Each laminate comes with matching vinyl trim unless otherwise specified on the order cover sheet

Infill can match the paint finish of the A-leg or can be specified in a different finish

Notes:

Table corners have 4" radius

Table legs come with adjustable glides up to 1/2"

A-leg has removable infill for wire management capabilities

Options:

Depths: 30", 36", 42", 48"

Height: 14"

Worksurface Laminate

A-Leg paint finish

A-Leg infill paint finish

Code	Price	H	W	D	Volume	Weight
H-TQAN-143030	1215	14	30	30	1	13
H-TQAN-143636	1348	14	36	36	1	18
H-TQAN-144242	1383	14	42	42	2	25
H-TQAN-144848	1419	14	48	48	2	32



What's Included:

- 1" trilobe top
- 3 A-legs with removable infill

How to Specify:

Table is sold with base

Each laminate comes with matching vinyl trim unless otherwise specified on the order cover sheet

Infill can match the paint finish of the A-leg or can be specified in a different finish

Notes:

Table corners have 4" radius

Table legs come with adjustable glides up to 1/2"

A-leg has removable infill for wire management capabilities

One of the A-Legs will come with an infill with a small hole to run wires out the bottom

Options:

Widths: 36", 42", 48"

Depths: 36", 42", 48"

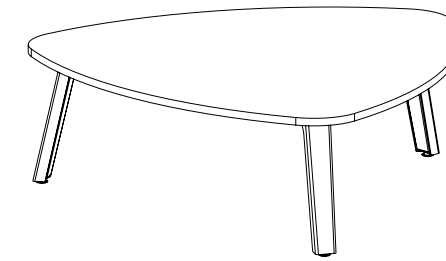
Worksurface Laminate

A-Leg paint

A-Leg infill paint

Electrics

Code	Price	H	W	D	Volume	Weight
H-MTAN-293636	1621	29	36	36	3	38
H-MTAN-294242	1856	29	42	42	4	51
H-MTAN-294848	1872	29	48	48	4	51



Coffee Table

What's Included:

- 3/4" thick trilobe top
- 3 A-legs with infill

How to Specify:

Table is sold with base

Each laminate comes with matching vinyl trim unless otherwise specified on the order cover sheet

Infill can match the paint finish of the A-leg or can be specified in a different finish

Notes:

Table corners have 4" radius

Table legs come with adjustable glides up to 1/2"

A-leg has removable infill for wire management capabilities

Options:

Depths: 30", 36", 42", 48"

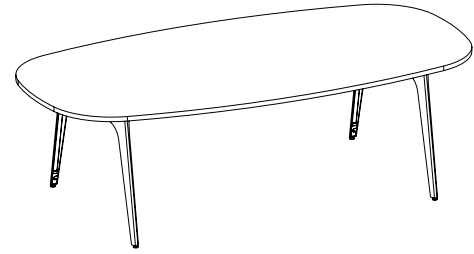
Height: 14"

Worksurface Laminate

A-Leg paint finish

A-Leg infill paint finish

Code	Price	H	W	D	Volume	Weight
H-TTAN-143030	969	14	30	30	1	13
H-TTAN-143636	1099	14	36	36	1	18
H-TTAN-144242	1137	14	42	42	2	25
H-TTAN-144848	1169	14	48	48	2	32



No Power



With Power

What's Included:

- 1" thick super ellipse top
- 4 V-legs with magnetic wire escape
- Reinforcement bar(s)
- Optional Electrics

In-surface powered option comes with one grommet per table piece with 2 AC outlets, dual USB-A chargers, and a blank slot to add an optional HDMI, RJ11, or RJ45 (see [page 178](#) for more options)

If in-surface power option is specified, wire management strips are included in the V-legs

Side-mount USB option comes with 2 USB-A chargers (see [page 178](#) for more options)

How to Specify:

Table is sold with base

Each laminate comes with matching vinyl trim unless otherwise specified on the order cover sheet

Notes:

Table corners have 4" radius

Table legs come with adjustable glides up to 1/2"

48" and 54"W are finish offered in 30"D

Magnetic wire escape offered in charcoal finish

Reinforcement bars have wire management capabilities

Optional Electrics

In-surface power+USB module available, offered in silver finish

Optional side-mount USB module, offered in black finish

Options:

Depths: 36", 42", 48"

Widths: 72", 84", 96"

Height: 42"

Worksurface Laminate

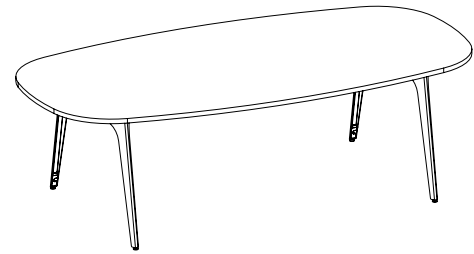
V-leg paint finish

No Power

Code	Price	H	W	D	Vol.	Wt.
H-MEVN-427242	2890	42	72	42	8.4	120.96
H-MEVN-427248	2905	42	72	48	9.6	138.24
H-MEVN-428442	2993	42	84	42	9.8	141.12
H-MEVN-428448	3008	42	84	48	11.2	161.28
H-MEVN-429642	3139	42	96	42	11.2	161.28
H-MEVN-429648	3152	42	96	48	12.8	184.32

Power

Code	Price	H	W	D	Vol.	Wt.
H-MEVP-427242	3915	42	72	42	8.4	120.96
H-MEVP-427248	3929	42	72	48	9.6	138.24
H-MEVP-428442	4015	42	84	42	8.4	141.12
H-MEVP-428448	4032	42	84	48	11.2	161.28
H-MEVP-429642	4163	42	96	42	11.2	161.28
H-MEVP-429648	4179	42	96	48	12.8	184.32



No Power



With Power

What's Included:

- 1" thick super ellipse top
- 4 V-legs with magnetic wire escape
- Reinforcement bar(s)
- Optional Electrics

In-surface powered option comes with one grommet per table piece with 2 AC outlets, dual USB-A chargers, and a blank slot to add an optional HDMI, RJ11, or RJ45 (see [page 178](#) for more options)

If in-surface power option is specified, wire management strips are included in the V-legs

Side-mount USB option comes with 2 USB-A chargers (see [page 178](#) for more options)

How to Specify:

Table is sold with base

Each laminate comes with matching vinyl trim unless otherwise specified on the order cover sheet

Notes:

Table corners have 4" radius

Table legs come with adjustable glides up to 1/2"

48" and 54"W are finish offered in 30"D

Magnetic wire escape offered in charcoal finish

Reinforcement bars have wire management capabilities

Optional Electrics

In-surface power+USB module available, offered in silver finish

Optional side-mount USB module, offered in black finish

Options:

Depths: 36", 42" 48"

Widths: 72", 84", 96"

Height: 29"

Worksurface Laminate

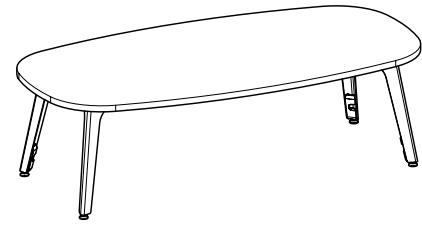
V-leg paint finish

No Power

Code	Price	H	W	D	Vol.	Wt.
H-MEVN-297236	2408	29	72	36	5	75
H-MEVN-297242	2578	29	72	42	6	88
H-MEVN-297248	2592	29	72	48	7	100
H-MEVN-298436	2480	29	84	36	6	88
H-MEVN-298442	2681	29	84	42	7	102
H-MEVN-298448	2696	29	84	48	8	117
H-MEVN-299636	2599	29	96	36	7	100
H-MEVN-299642	2826	29	96	42	8	117
H-MEVN-299648	2843	29	96	48	9	134

Power

Code	Price	H	W	D	Vol.	Wt.
H-MEVP-297236	3431	29	72	36	5	75
H-MEVP-297242	3603	29	72	42	6	88
H-MEVP-297248	3618	29	72	48	6	88
H-MEVP-298436	3506	29	84	36	6	88
H-MEVP-298442	3706	29	84	42	6	88
H-MEVP-298448	3721	29	84	48	8	117
H-MEVP-299636	3625	29	96	36	7	100
H-MEVP-299642	3851	29	96	42	8	117
H-MEVP-299648	3866	29	96	48	9	134



What's Included:

- 3/4" thick super ellipse top
- 4 V-legs with magnetic wire escape

How to Specify:

Table is sold with base

Each laminate comes with matching vinyl trim unless otherwise specified on the order cover sheet

Notes:

Table corners have 4" radius

Table legs come with adjustable glides up to 1/2"

Magnetic wire escape offered in charcoal finish

Options:

24"D: Widths: 36", 42", 48", 54", 60"

30"D: Widths: 48", 54", 60"

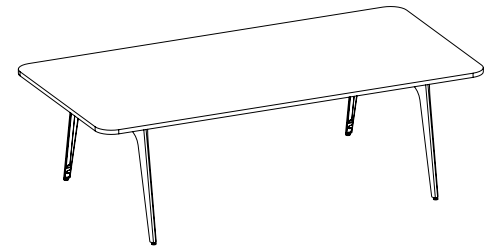
36"D: Widths: 60"

Height: 14"

Worksurface Laminate

V-leg paint finish

Code	Price	H	W	D	Volume	Weight
H-TEVN-143624	923	14	36	24	1	12
H-TEVN-144224	936	14	42	24	1	14
H-TEVN-144824	952	14	48	24	1	16
H-TEVN-144830	984	14	48	30	1	20
H-TEVN-145424	967	14	54	24	1	18
H-TEVN-145430	1001	14	54	30	2	23
H-TEVN-146024	986	14	60	24	1	20
H-TEVN-146030	1018	14	60	24	1	20
H-TEVN-146036	1202	14	60	36	2	30



No Power



With Power

What's Included:

- 1" thick rectangular top
- 4 V-legs with magnetic wire escape
- Reinforcement bar(s)
- Optional Electrics

In-surface powered option comes with one grommet per table piece with 2 AC outlets, dual USB-A chargers, and a blank slot to add an optional HDMI, RJ11, or RJ45 (see [page 178](#) for more options)

If in-surface power option is specified, wire management strips are included in the V-legs

Side-mount USB option comes with 2 USB-A chargers (see [page 178](#) for more options)

How to Specify:

Table is sold with base

Each laminate comes with matching vinyl trim unless otherwise specified on the order cover sheet

Notes:

Table corners have 4" radius

Table legs come with adjustable glides up to 1/2"

48" and 54"W are finish offered in 30"D

Magnetic wire escape offered in charcoal finish

Reinforcement bars have wire management capabilities

Optional Electrics

In-surface power+USB module available, offered in silver finish

Optional side-mount USB module, offered in black finish

Options:

Depths: 36", 42", 48"

Widths: 60", 72", 84", 96"

Height: 42"

Worksurface Laminate

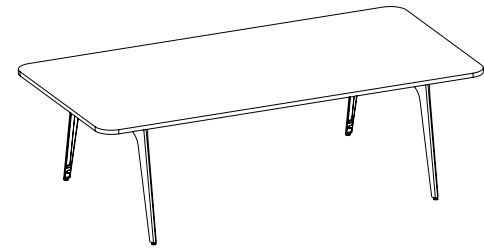
V-leg paint finish

No Power

Code	Price	H	W	D	Vol.	Wt.
H-MRVN-426036	2619	42	60	36	6	86
H-MRVN-426042	2761	42	60	42	7	101
H-MRVN-426048	2777	42	60	48	8	115
H-MRVN-427236	2692	42	72	36	7	104
H-MRVN-427242	2864	42	72	42	8	121
H-MRVN-427248	2880	42	72	48	10	138
H-MRVN-428436	2809	42	84	36	8	121
H-MRVN-428442	3009	42	84	42	10	141
H-MRVN-428448	3024	42	84	48	11	161
H-MRVN-429636	2926	42	96	36	10	138
H-MRVN-429642	3151	42	96	42	11	161
H-MRVN-429648	3167	42	96	48	11	161

Power

Code	Price	H	W	D	Vol.	Wt.
H-MRVP-426036	3641	42	60	36	6	86
H-MRVP-426042	3786	42	60	42	6	101
H-MRVP-426048	3800	42	60	48	8	115
H-MRVP-427236	3717	42	72	36	7	104
H-MRVP-427242	3889	42	72	42	8	121
H-MRVP-427248	3904	42	72	48	10	138
H-MRVP-428436	3836	42	84	36	8	121
H-MRVP-428442	4035	42	84	42	10	141
H-MRVP-428448	4050	42	84	48	11	161
H-MRVP-429636	3951	42	96	36	11	138
H-MRVP-429642	4177	42	96	42	11	161
H-MRVP-429648	4193	42	96	48	13	184



No Power



With Power

What's Included:

- 1" thick rectangular top
- 4 V-legs with magnetic wire escape
- Reinforcement bar(s)
- Optional Electrics

In-surface powered option comes with one grommet per table piece with 2 AC outlets, dual USB-A chargers, and a blank slot to add an optional HDMI, RJ11, or RJ45 (see [page 178](#) for more options)

If in-surface power option is specified, wire management strips are included in the V-legs

Side-mount USB option comes with 2 USB-A chargers (see [page 178](#) for more options)

Notes:

Table corners have 4" radius

Table legs come with adjustable glides up to 1/2"

48" and 54"W are finish offered in 30"D

Magnetic wire escape offered in charcoal finish

Reinforcement bars have wire management capabilities

Optional Electrics

In-surface power+USB module available, offered in silver finish

Optional side-mount USB module, offered in black finish

How to Specify:

Table is sold with base

Each laminate comes with matching vinyl trim unless otherwise specified on the order cover sheet

Options:

30"D: Widths: 60"

36",42",48"D: Widths: 60", 72", 84", 96"

Height: 29"

Worksurface Laminate

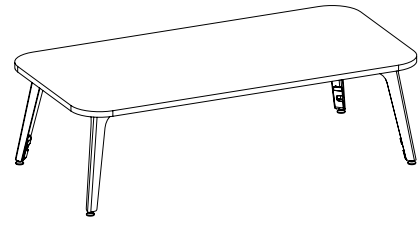
V-leg paint finish

No Power

Code	Price	H	W	D	Vol.	Wt.
H-MRVN-296030	2269	29	60	30	4	52
H-MRVN-296036	2306	29	60	36	4	63
H-MRVN-296042	2450	29	60	42	5	73
H-MRVN-296048	2465	29	60	48	6	84
H-MRVN-297230	2307	29	72	30	4	63
H-MRVN-297236	2350	29	72	36	5	75
H-MRVN-297242	2522	29	72	42	6	88
H-MRVN-297248	2539	29	72	48	7	100
H-MRVN-298430	2374	29	84	30	5	73
H-MRVN-298436	2425	29	84	36	6	88
H-MRVN-298442	2625	29	84	42	7	102
H-MRVN-298448	2639	29	84	48	8	117
H-MRVN-299630	2486	29	96	30	6	84
H-MRVN-299636	2543	29	96	36	7	100
H-MRVN-299642	2772	29	96	42	8	117
H-MRVN-299648	2785	29	96	48	9	134

Power

Code	Price	H	W	D	Vol.	Wt.
H-MRVP-296030	3296	29	60	30	4	52
H-MRVP-296036	3332	29	60	36	4	63
H-MRVP-296042	3475	29	60	42	5	73
H-MRVP-296048	3488	29	60	48	6	84
H-MRVP-297230	3333	29	72	30	4	63
H-MRVP-297236	3374	29	72	36	5	75
H-MRVP-297242	3548	29	72	42	6	88
H-MRVP-297248	3563	29	72	48	7	100
H-MRVP-298430	3402	29	84	30	5	73
H-MRVP-298436	3450	29	84	36	6	88
H-MRVP-298442	3650	29	84	42	7	102
H-MRVP-298448	3664	29	84	48	8	117
H-MRVP-299630	3512	29	96	30	6	84
H-MRVP-299636	3568	29	96	36	7	100
H-MRVP-299642	3794	29	96	42	8	117
H-MRVP-299648	3810	29	96	48	9	134



What's Included:

- 3/4" thick rectangular top
- 4 V-legs with magnetic wire escape

How to Specify:

Table is sold with base

Each laminate comes with matching vinyl trim unless otherwise specified on the order cover sheet

Notes:

Table corners have 4" radius

Table legs come with adjustable glides up to 1/2"

Magnetic wire escape offered in charcoal finish

Options:

24"D: Widths: 36", 42", 48", 54", 60"

30"D: Widths: 48", 54", 60"

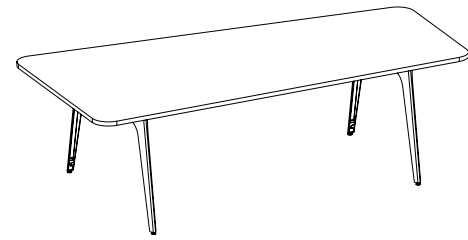
36"D: Widths: 60"

Height: 14"

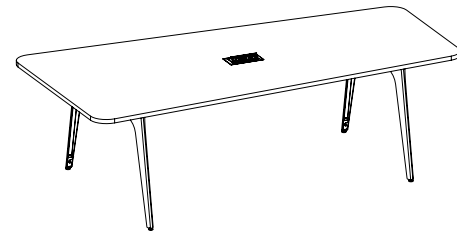
Worksurface Laminate

V-leg paint finish

Code	Price	H	W	D	Volume	Weight
H-TRVN-143624	894	14	36	24	1	12
H-TRVN-144224	908	14	42	24	1	14
H-TRVN-144824	925	14	48	24	1	16
H-TRVN-144830	953	14	48	30	1	20
H-TRVN-145424	940	14	54	24	1	18
H-TRVN-145430	974	14	54	30	2	23
H-TRVN-146024	954	14	60	24	1	20
H-TRVN-146030	991	14	60	30	2	25
H-TRVN-146036	1028	14	60	36	2	30



No Power



With Power

What's Included:

- 1" thick video top
- 4 V-legs with magnetic wire escape
- Reinforcement bar(s)
- Optional Electrics

In-surface powered option comes with one grommet per table piece with 2 AC outlets, dual USB-A chargers, and a blank slot to add an optional HDMI, RJ11, or RJ45 (see [page 178](#) for more options)

If in-surface power option is specified, wire management strips are included in the V-legs

Side-mount USB option comes with 2 USB-A chargers (see [page 178](#) for more options)

How to Specify:

Table is sold with base

Each laminate comes with matching vinyl trim unless otherwise specified on the order cover sheet

Notes:

Table corners have 4" radius

Table legs come with adjustable glides up to 1/2"

48" and 54"W are finish offered in 30"D

Magnetic wire escape offered in charcoal finish

Reinforcement bars have wire management capabilities

Optional Electrics

In-surface power+USB module available, offered in silver finish

Optional side-mount USB module, offered in black finish

Options:

Depths: 48"

Widths: 72", 84", 96"

Height: 42"

Worksurface Laminate

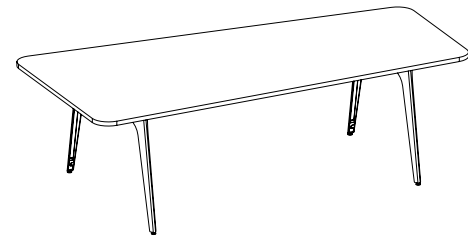
V-leg paint finish

No Power

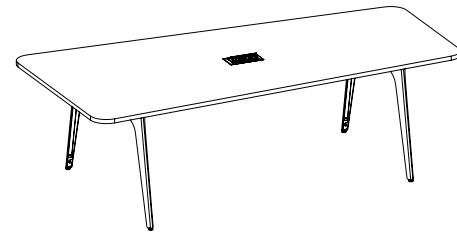
Code	Price	H	W	D	Vol.	Wt.
H-MVFN-427248	2922	42	72	48	10	138
H-MVFN-428448	3067	42	84	48	11	161
H-MVFN-429648	3209	42	96	48	11	161

Power

Code	Price	H	W	D	Vol.	Wt.
H-MVFP-427248	3944	42	72	48	10	138
H-MVFP-428448	4092	42	84	48	11	161
H-MVFP-429648	4235	42	96	48	13	184



No Power



With Power

What's Included:

- 1" thick video top
- 4 V-legs with magnetic wire escape
- Reinforcement bar(s)
- Optional Electrics

In-surface powered option comes with one grommet per table piece with 2 AC outlets, dual USB-A chargers, and a blank slot to add an optional HDMI, RJ11, or RJ45 (see [page 178](#) for more options)

If in-surface power option is specified, wire management strips are included in the V-legs

Side-mount USB option comes with 2 USB-A chargers (see [page 178](#) for more options)

How to Specify:

Table is sold with base

Each laminate comes with matching vinyl trim unless otherwise specified on the order cover sheet

Notes:

Table corners have 4" radius

Table legs come with adjustable glides up to 1/2"

48" and 54"W are finish offered in 30"D

Magnetic wire escape offered in charcoal finish

Reinforcement bars have wire management capabilities

Optional Electrics

In-surface power+USB module available, offered in silver finish

Optional side-mount USB module, offered in black finish

Options:

Depths: 42", 48"D

Widths: 72", 84", 96"

Height: 29

Worksurface Laminate

V-leg paint finish

No Power

Code	Price	H	W	D	Vol.	Wt.
H-MVVN-297242	2578	29	72	42	6	88
H-MVVN-297248	2592	29	72	48	7	100
H-MVVN-298442	2681	29	84	42	7	102
H-MVVN-298448	2696	29	84	48	8	117
H-MVVN-299642	2826	29	96	42	8	117
H-MVVN-299648	2843	29	96	48	9	134

Power

Code	Price	H	W	D	Vol.	Wt.
H-MVVP-297242	3603	29	72	42	6	88
H-MVVP-297248	3618	29	72	48	7	100
H-MVVP-298442	3706	29	84	42	7	102
H-MVVP-298448	3721	29	84	48	13	117
H-MVVP-299642	3851	29	96	42	8	117
H-MVVP-299648	3866	29	96	48	8	117



What's Included:

- 1" thick square top
- 4 V-legs with magnetic wire escape

How to Specify:

Table is sold with base

Each laminate comes with matching vinyl trim unless otherwise specified on the order cover sheet

Options:

Widths: 36", 42", 48"

Depths: 36", 42", 48"

Worksurface Laminate

V-Leg Paint Finish

Notes:

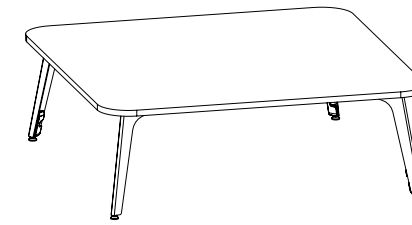
Table corners have 4" radius

Table legs come with adjustable glides up to 1/2"

48" and 54"W are finish offered in 30"D

Magnetic wire escape offered in charcoal finish

Code	Price	H	W	D	Volume	Weight
H-MSVN-293636	1773	29	36	36	3	38
H-MSVN-294242	1856	29	42	42	3	38
H-MSVN-294848	1937	29	48	48	5	67



What's Included:

- 3/4" thick square top
- 4 V-legs with magnetic wire escape

How to Specify:

Table is sold with base

Each laminate comes with matching vinyl trim unless otherwise specified on the order cover sheet

Options:

Depths: 30", 36", 42", 48"

Height: 14"

Worksurface Laminate

V-leg paint finish

Notes:

Table corners have 4" radius

Table legs come with adjustable glides up to 1/2"

Magnetic wire escape offered in charcoal finish

Code	Price	H	W	D	Volume	Weight
H-TSVN-143030	898	14	30	30	1	13
H-TSVN-143636	939	14	36	36	1	18
H-TSVN-144242	1063	14	42	42	2	25
H-TSVN-144848	1099	14	48	48	2	32



What's Included:

- 1" thick circle top
- 3 V-legs with magnetic wire escape

How to Specify:

Table is sold with base

Each laminate comes with matching vinyl trim unless otherwise specified on the order cover sheet

Notes:

Table corners have 4" radius
 Table legs come with adjustable glides up to 1/2"
 48" and 54"W are finish offered in 30"D
 Magnetic wire escape offered in charcoal finish

Options:

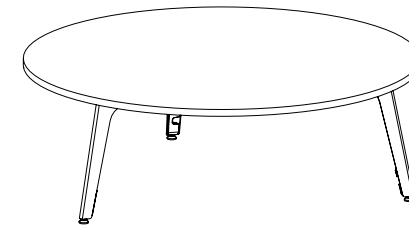
Widths: 36", 42", 48"

Depths: 36", 42", 48"

Worksurface Laminate

V-Leg Paint Finish

Code	Price	H	W	D	Volume	Weight
H-MOVN-293636	1447	29	36	36	3	38
H-MOVN-294242	1573	29	42	42	3	38
H-MOVN-294848	1611	29	48	48	5	67



What's Included:

- 3/4" thick circle top
- 3 V-legs with magnetic wire escape

How to Specify:

Table is sold with base

Each laminate comes with matching vinyl trim unless otherwise specified on the order cover sheet

Notes:

Table corners have 4" radius
 Table legs come with adjustable glides up to 1/2"
 Magnetic wire escape offered in charcoal finish

Options:

Depths: 30", 36", 42", 48"

Height: 14"

Worksurface Laminate

V-leg paint finish

Code	Price	H	W	D	Volume	Weight
H-TOVN-143030	750	14	30	30	1	13
H-TOVN-143636	882	14	36	36	1	18
H-TOVN-144242	916	14	42	42	2	25
H-TOVN-144848	952	14	48	48	2	32



What's Included:

- 1" thick squircle top
- 4 V-legs with magnetic wire escape

How to Specify:

Table is sold with base

Each laminate comes with matching vinyl trim unless otherwise specified on the order cover sheet

Notes:

- Table corners have 4" radius
- Table legs come with adjustable glides up to 1/2"
- Magnetic wire escape offered in charcoal finish

Options:

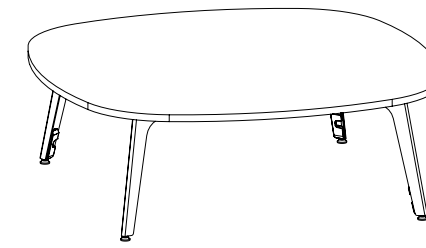
Widths: 36", 42", 48"

Depths: 36", 42", 48"

Worksurface Laminate

V-Leg Paint Finish

Code	Price	H	W	D	Volume	Weight
H-MQVN-293636	1832	29	36	36	3	38
H-MQVN-294242	1957	29	42	42	4	51
H-MQVN-294848	1992	29	48	48	4	51



What's Included:

- 3/4" thick squircle top
- 4 V-legs with magnetic wire escape

How to Specify:

Table is sold with base

Each laminate comes with matching vinyl trim unless otherwise specified on the order cover sheet

Notes:

- Table corners have 4" radius
- Table legs come with adjustable glides up to 1/2"
- Magnetic wire escape offered in charcoal finish

Options:

Depths: 30", 36", 42", 48"

Height: 14"

Worksurface Laminate

V-leg paint finish

Code	Price	H	W	D	Volume	Weight
H-TQVN-143030	925	14	30	30	1	13
H-TQVN-143636	1056	14	36	36	1	18
H-TQVN-144242	1092	14	42	42	2	25
H-TQVN-144848	1128	14	48	48	2	32



What's Included:

- 1" thick trilobe top
- 3 V-legs with magnetic wire escape

How to Specify:

Table is sold with base

Each laminate comes with matching vinyl trim unless otherwise specified on the order cover sheet

Options:

Widths: 36", 42", 48"

Depths: 36", 42", 48"

Worksurface Laminate

V-Leg Paint Finish

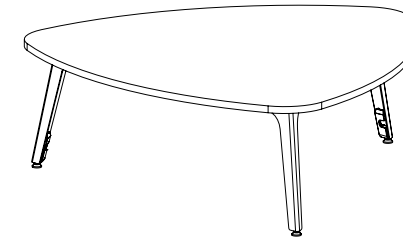
Notes:

Table corners have 4" radius

Table legs come with adjustable glides up to 1/2"

Magnetic wire escape offered in charcoal finish

Code	Price	H	W	D	Volume	Weight
H-MTVN-293636	1447	29	36	36	3	38
H-MTVN-294242	1573	29	42	42	4	51
H-MTVN-294848	1611	29	48	48	5	67



What's Included:

- 3/4" thick trilobe top
- 3 V-legs with magnetic wire escape

How to Specify:

Table is sold with base

Each laminate comes with matching vinyl trim unless otherwise specified on the order cover sheet

Options:

Depths: 30", 36", 42", 48"

Height: 14"

Worksurface Laminate

V-leg paint finish

Notes:

Table corners have 4" radius

Table legs come with adjustable glides up to 1/2"

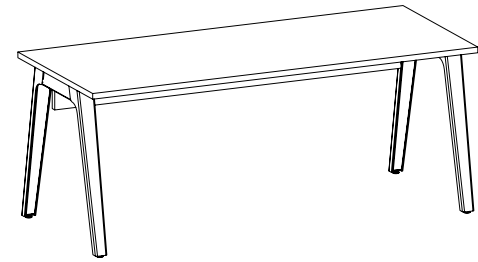
Magnetic wire escape offered in charcoal finish

Code	Price	H	W	D	Volume	Weight
H-TTVN-143030	925	14	30	30	1	13
H-TTVN-143636	1056	14	36	36	1	18
H-TTVN-144242	1092	14	42	42	2	25
H-TTVN-144848	1128	14	48	48	2	32

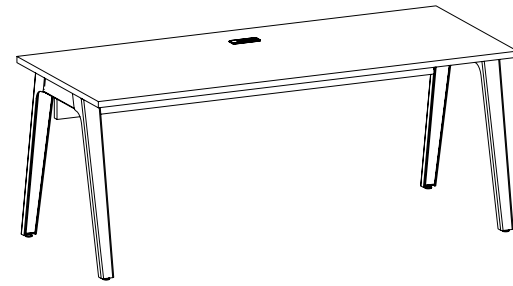


Halifax Pricebook
February 2024
Desking

Freestanding	
A-Leg	60
V-Leg	62
Hanging Pedestal	64
Low Credenza Mount	
A-Leg Hutch & Gallery Wall	66
A-Leg Short Gable	68
V-Leg Hutch & Gallery Wall	70
V-Leg Short Gable	72
No Leg Hutch & Gallery Wall	74
No Leg Short Gable	76
High Credenza Mount	
A leg	78
V leg	80
Height Adjustable Table	82
Suspended Pedestal	84
Credenza integrated	86
Credenza & Pedestal	88
Worksurface	
No Grommet	90
w/ Grommet	92
Bridge	94
Reinforcement Bar	96
Modesty	98
Worksurface Support & Hardware	100
Table Support	102



A-Leg No Grommet



A-Leg With Grommet

What's Included:

- Worksurface
- 2 A-leg gables
- reinforcement bar
- modesty

Notes:

One of the A-Legs will come with an infill with a small hole to run wires out the bottom

Options:

Widths: 60", 66", 72", 78", 84"

Depths: 30"

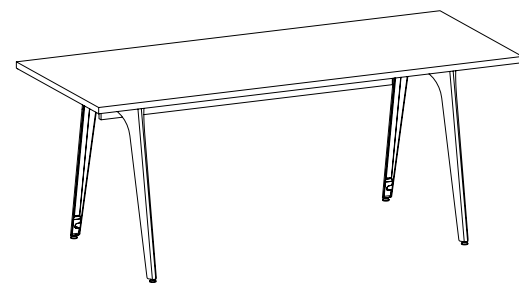
Laminate

Paint Finish

Electrics

A-Leg

Code	Price	H	W	D	Volume	Weight
No Grommet						
H-TFAN-296030	2496	29	60	30	5	61
H-TFAN-296630	2548	29	66	30	6	68
H-TFAN-297230	2601	29	72	30	6	74
H-TFAN-297830	2681	29	78	30	7	80
H-TFAN-298430	2711	29	84	30	7	86
w/ Grommet						
H-TFAH-296030	2502	29	60	30	5	61
H-TFAH-296630	2552	29	66	30	6	68
H-TFAH-297230	2608	29	72	30	6	74
H-TFAH-297830	2685	29	78	30	7	80
H-TFAH-298430	2716	29	84	30	7	86



V-Leg No Grommet



V-Leg With Grommet

What's Included:

- Worksurface
- 2 A-leg gables
- reinforcement bar
- modesty

Notes:

Options:

Widths: 60", 66", 72", 78", 84"

Depths: 30"

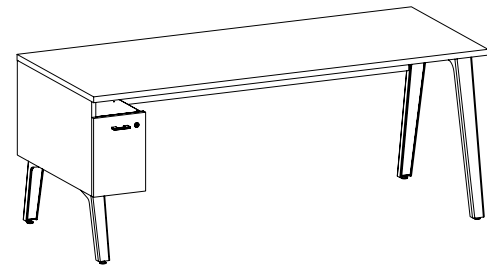
Laminate

Paint Finish

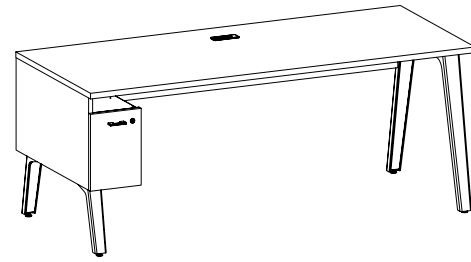
Electrics

V-Leg

Code	Price	H	W	D	Vol.	Wt.
No Grommet						
H-TFVN-296030	2311	29	60	30	5	61
H-TFVN-296630	2332	29	66	30	6	68
H-TFVN-297230	2363	29	72	30	6	74
H-TFVN-297830	2415	29	78	30	7	80
H-TFVN-298430	2440	29	84	30	7	86
w/ Grommet						
H-TFVH-296030	2317	29	60	30	5	61
H-TFVH-296630	2335	29	66	30	6	68
H-TFVH-297230	2367	29	72	30	6	74
H-TFVH-297830	2420	29	78	30	7	80
H-TFVH-298430	2448	29	84	30	7	86



no Grommet



With Grommet

What's Included:

- Desk with a hanging pedestal with A-Leg

How to Specify:

Hanging pedestal on RH or LH

Notes:

Hanging pedestal has a 9-1/2"W file drawer

Options:

Widths: 60", 66", 72"

Depths: 30"

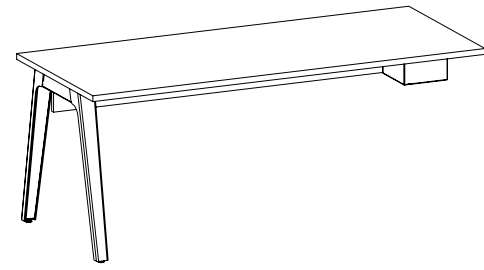
Laminate

Paint Finish

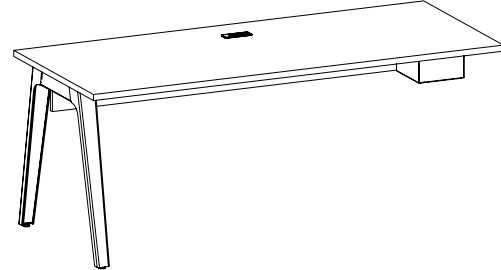
Electrics

A-Leg

Code	Price	H	W	D	Volume	Weight
No Grommet						
H-TSAN-296030-L	3104	29	60	30	5	61
H-TSAN-296630-L	3131	29	66	30	6	68
H-TSAN-297230-L	3195	29	72	30	6	74
H-TSAN-296030-R	3104	29	60	30	5	61
H-TSAN-296630-R	3131	29	66	30	6	68
H-TSAN-297230-R	3195	29	72	30	6	74
w/ Grommet						
H-TSAH-296030-L	3109	29	60	30	5	61
H-TSAH-296630-L	3137	29	66	30	6	68
H-TSAH-297230-L	3197	29	72	30	6	74
H-TSAH-296030-R	3109	29	60	30	5	61
H-TSAH-296630-R	3137	29	66	30	6	68
H-TSAH-297230-R	3197	29	72	30	6	74



no Grommet



With Grommet

What's Included:

- Worksurface
- Modesty
- A-leg
- Reinforcement bar
- Credenza mounting box

How to Specify:

Notes:

Application is for layout with a freestanding hutch or a gallery wall

One of the A-Legs will come with an infill with a small hole to run wires out the bottom

Options:

Widths: 60", 66", 72", 78", 84"

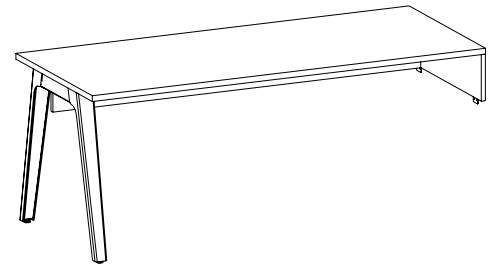
Depths: 30"

Laminate

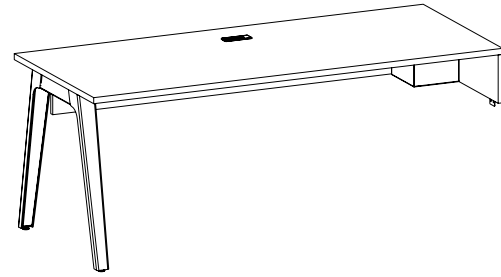
Paint Finish

Electrics

Code	Price	H	W	D	Volume	Weight
w/ Grommet						
H-TLAN-296030-L	1959	29	60	30	5.0	61
H-TLAN-296630-L	2012	29	66	30	6.0	68
H-TLAN-297230-L	2066	29	72	30	6.0	74
H-TLAN-297830-L	2144	29	78	30	7.0	80
H-TLAN-298430-L	2171	29	84	30	7.0	86
H-TLAN-296030-R	1959	29	60	30	5.0	61
H-TLAN-296630-R	2012	29	66	30	6.0	68
H-TLAN-297230-R	2066	29	72	30	6.0	74
H-TLAN-297830-R	2144	29	78	30	7.0	80
H-TLAN-298430-R	2171	29	84	30	7.0	86
No Grommet						
H-TLAH-296030-L	1963	29	60	30	5.0	61
H-TLAH-296630-L	2016	29	66	30	6.0	68
H-TLAH-297230-L	2070	29	72	30	6.0	74
H-TLAH-297830-L	2149	29	78	30	7.0	80
H-TLAH-298430-L	2176	29	84	30	7.0	86
H-TLAH-296030-R	1963	29	60	30	5.0	61
H-TLAH-296630-R	2016	29	66	30	6.0	68
H-TLAH-297230-R	2070	29	72	30	6.0	74
H-TLAH-297830-R	2149	29	78	30	7.0	80
H-TLAH-298430-R	2176	29	84	30	7.0	86



no Grommet



With Grommet

What's Included:

- Worksurface
- Short Gable
- Modesty
- A-leg
- Reinforcement bar
- Credenza mounting box

How to Specify:

Notes:

Application is for layout that does not include a freestanding hutch or a gallery wall
 One of the A-Legs will come with an infill with a small hole to run wires out the bottom

Options:

Widths:

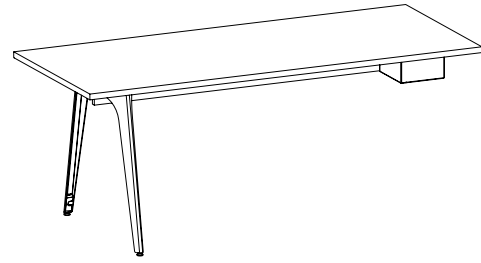
Depths:

Laminate

Paint Finish

Electrics

Code	Price	H	W	D	Volume	Weight
No Grommet						
H-TLSAN-296030-GL	2072	29	60	30	5.0	61
H-TLSAN-296630-GL	2124	29	66	30	6.0	68
H-TLSAN-297230-GL	2179	29	72	30	6.0	74
H-TLSAN-297830-GL	2258	29	78	30	7.0	80
H-TLSAN-298430-GL	2285	29	84	30	7.0	86
H-TLSAN-296030-GR	2072	29	60	30	5.0	61
H-TLSAN-296630-GR	2124	29	66	30	6.0	68
H-TLSAN-297230-GR	2179	29	72	30	6.0	74
H-TLSAN-297830-GR	2258	29	78	30	7.0	80
H-TLSAN-298430-GR	2285	29	84	30	7.0	86
w/ Grommet						
H-TLSAH-296030-GL	2075	29	60	30	5.0	61
H-TLSAH-296630-GL	2128	29	66	30	6.0	68
H-TLSAH-297230-GL	2184	29	72	30	6.0	74
H-TLSAH-297830-GL	2262	29	78	30	7.0	80
H-TLSAH-298430-GL	2292	29	84	30	7.0	86
H-TLSAH-296030-GR	2075	29	60	30	5.0	61
H-TLSAH-296630-GR	2128	29	66	30	6.0	68
H-TLSAH-297230-GR	2184	29	72	30	6.0	74
H-TLSAH-297830-GR	2262	29	78	30	7.0	80
H-TLSAH-298430-GR	2292	29	84	30	7.0	86



no Grommet



With Grommet

What's Included:

- Worksurface
- Modesty
- V-leg
- Reinforcement bar
- Credenza mounting box

How to Specify:

Notes:

Application is for layout with a freestanding hutch or a gallery wall

Options:

Widths: 60", 66", 72", 78", 84"

Depths: 30"

Laminate

Paint Finish

Electrics

Code	Price	H	W	D	Volume	Weight
No Grommet						
H-TLVN-296030-L	1701	29	60	30	5.0	61
H-TLVN-296630-L	1732	29	66	30	6.0	68
H-TLVN-297230-L	1784	29	72	30	6.0	74
H-TLVN-297830-L	1808	29	78	30	7.0	80
H-TLVN-298430-L	1852	29	84	30	7.0	86
H-TLVN-296030-R	1701	29	60	30	5.0	61
H-TLVN-296630-R	1732	29	66	30	6.0	68
H-TLVN-297230-R	1784	29	72	30	6.0	74
H-TLVN-297830-R	1808	29	78	30	7.0	80
H-TLVN-298430-R	1852	29	84	30	7.0	86
w/ Grommet						
H-TLVH-296030-L	1706	29	60	30	5.0	61
H-TLVH-296630-L	1736	29	66	30	6.0	68
H-TLVH-297230-L	1787	29	72	30	6.0	74
H-TLVH-297830-L	1812	29	78	30	7.0	80
H-TLVH-298430-L	1857	29	84	30	7.0	86
H-TLVH-296030-R	1706	29	60	30	5.0	61
H-TLVH-296630-R	1736	29	66	30	6.0	68
H-TLVH-297230-R	1787	29	72	30	6.0	74
H-TLVH-297830-R	1812	29	78	30	7.0	80
H-TLVH-298430-R	1857	29	84	30	7.0	86



no Grommet



With Grommet

What's Included:

- Worksurface
- Short Gable
- Modesty
- V-leg
- Reinforcement bar
- Credenza mounting box

How to Specify:

Notes:

Application is for layout that does not include a freestanding hutch or a gallery wall

Options:

Widths: 60", 66", 72", 78", 84"

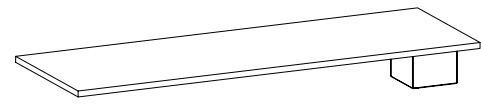
Depths: 30"

Laminate

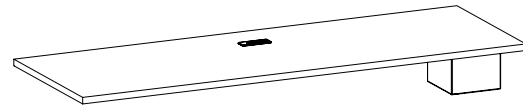
Paint Finish

Electrics

Code	Price	H	W	D	Volume	Weight
No Grommet						
H-TLSVN-296030-GL	1844	29	60	30	5.0	61
H-TLSVN-296630-GL	1874	29	66	30	6.0	68
H-TLSVN-297230-GL	1928	29	72	30	6.0	74
H-TLSVN-297830-GL	1954	29	78	30	7.0	80
H-TLSVN-298430-GL	2000	29	84	30	7.0	86
H-TLSVN-296030-GR	1844	29	60	30	5.0	61
H-TLSVN-296630-GR	1874	29	66	30	6.0	68
H-TLSVN-297230-GR	1928	29	72	30	6.0	74
H-TLSVN-297830-GR	1954	29	78	30	7.0	80
H-TLSVN-298430-GR	2000	29	84	30	7.0	86
w/ Grommet						
H-TLSVH-296030-GL	1849	29	60	30	5.0	61
H-TLSVH-296630-GL	1877	29	66	30	6.0	68
H-TLSVH-297230-GL	1935	29	72	30	6.0	74
H-TLSVH-297830-GL	1959	29	78	30	7.0	80
H-TLSVH-298430-GL	2003	29	84	30	7.0	86
H-TLSVH-296030-GR	1849	29	60	30	5.0	61
H-TLSVH-296630-GR	1877	29	66	30	6.0	68
H-TLSVH-297230-GR	1935	29	72	30	6.0	74
H-TLSVH-297830-GR	1959	29	78	30	7.0	80
H-TLSVH-298430-GR	2003	29	84	30	7.0	86



no Grommet



With Grommet

What's Included:

- Worksurface
- Credenza mounting bo

How to Specify:

Modesty, support and reinforcement bar to be specified separately

Notes:

Application is for layout with a freestanding hutch or a gallery wall

Options:

Widths: 60", 66", 72", 78", 84"

Depths: 19", 24", 30"

Laminate

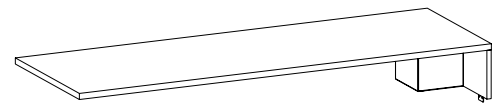
Paint Finish

Electrics

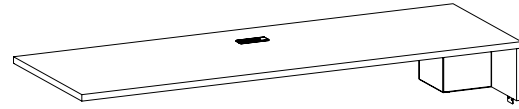
No Grommet

w/Grommet

Code	Price	H	W	D	Vol.	Wt.	Code	Price	H	W	D	Vol.	Wt.
H-TLSN-296019-L	379	29	60	19	5.0	39	H-TLSH-296019-L	383	29	60	19	5.0	39
H-TLSN-296619-L	388	29	66	19	6.0	43	H-TLSH-296619-L	396	29	66	19	6.0	43
H-TLSN-297219-L	405	29	72	19	6.0	47	H-TLSH-297219-L	408	29	72	19	6.0	47
H-TLSN-297819-L	414	29	78	19	7.0	51	H-TLSH-297819-L	421	29	78	19	7.0	51
H-TLSN-298419-L	428	29	84	19	7.0	54	H-TLSH-298419-L	432	29	84	19	7.0	54
H-TLSN-296019-R	379	29	60	19	5.0	39	H-TLSH-296019-R	383	29	60	19	5.0	39
H-TLSN-296619-R	388	29	66	19	6.0	43	H-TLSH-296619-R	396	29	66	19	6.0	43
H-TLSN-297219-R	405	29	72	19	6.0	47	H-TLSH-297219-R	408	29	72	19	6.0	47
H-TLSN-297819-R	414	29	78	19	7.0	51	H-TLSH-297819-R	421	29	78	19	7.0	51
H-TLSN-298419-R	428	29	84	19	7.0	54	H-TLSH-298419-R	432	29	84	19	7.0	54
H-TLSN-296024-L	408	29	60	24	5.0	49	H-TLSH-296024-L	411	29	60	24	5.0	49
H-TLSN-296624-L	424	29	66	24	6.0	54	H-TLSH-296624-L	428	29	66	24	6.0	54
H-TLSN-297224-L	438	29	72	24	6.0	59	H-TLSH-297224-L	444	29	72	24	6.0	59
H-TLSN-297824-L	454	29	78	24	7.0	64	H-TLSH-297824-L	458	29	78	24	7.0	64
H-TLSN-298424-L	471	29	84	24	7.0	69	H-TLSH-298424-L	475	29	84	24	7.0	69
H-TLSN-296024-R	408	29	60	24	5.0	49	H-TLSH-296024-R	411	29	60	24	5.0	49
H-TLSN-296624-R	424	29	66	24	6.0	54	H-TLSH-296624-R	428	29	66	24	6.0	54
H-TLSN-297224-R	438	29	72	24	6.0	59	H-TLSH-297224-R	444	29	72	24	6.0	59
H-TLSN-297824-R	454	29	78	24	7.0	64	H-TLSH-297824-R	458	29	78	24	7.0	64
H-TLSN-298424-R	471	29	84	24	7.0	69	H-TLSH-298424-R	475	29	84	24	7.0	69
H-TLSN-296030-L	444	29	60	30	5.0	61	H-TLSH-296030-L	449	29	60	30	5.0	61
H-TLSN-296630-L	462	29	66	30	6.0	68	H-TLSH-296630-L	470	29	66	30	6.0	68
H-TLSN-297230-L	481	29	72	30	6.0	74	H-TLSH-297230-L	487	29	72	30	6.0	74
H-TLSN-297830-L	501	29	78	30	7.0	80	H-TLSH-297830-L	504	29	78	30	7.0	80
H-TLSN-298430-L	520	29	84	30	7.0	86	H-TLSH-298430-L	524	29	84	30	7.0	86
H-TLSN-296030-R	444	29	60	30	5.0	61	H-TLSH-296030-R	449	29	60	30	5.0	61
H-TLSN-296630-R	462	29	66	30	6.0	68	H-TLSH-296630-R	470	29	66	30	6.0	68
H-TLSN-297230-R	481	29	72	30	6.0	74	H-TLSH-297230-R	487	29	72	30	6.0	74
H-TLSN-297830-R	501	29	78	30	7.0	80	H-TLSH-297830-R	504	29	78	30	7.0	80
H-TLSN-298430-R	520	29	84	30	7.0	86	H-TLSH-298430-R	524	29	84	30	7.0	86



no Grommet



With Grommet

What's Included:

- Worksurface
- Short Gable
- Credenza mounting box

How to Specify:

Need modesty, supports, and reinforcement bar to be specified separately

Notes:

Application is for layout that does not include a freestanding hutch or a gallery wall

Options:

Widths: 60", 66", 72", 78", 84"

Depths: 19", 24", 30"

Laminate

Paint Finish

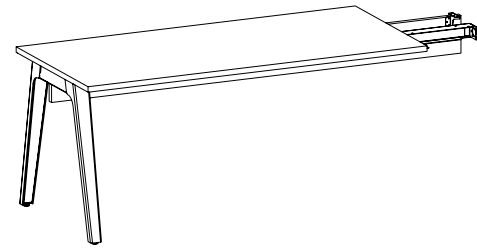
Electrics

No Grommet

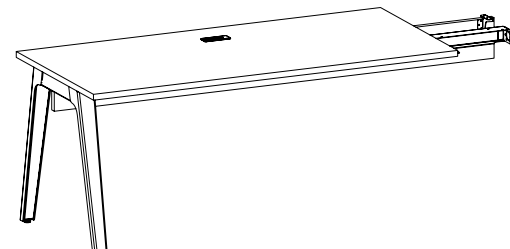
Code	Price	H	W	D	Vol.	Wt.
H-TLSN-296019-GL	384	29	60	19		
H-TLSN-296619-GL	492	29	66	19	6.0	43
H-TLSN-297219-GL	504	29	72	19	6.0	47
H-TLSN-297819-GL	517	29	78	19	7.0	51
H-TLSN-298419-GL	529	29	84	19	7.0	54
H-TLSN-296019-GR	384	29	60	19		
H-TLSN-296619-GR	492	29	66	19	6.0	43
H-TLSN-297219-GR	504	29	72	19	6.0	47
H-TLSN-297819-GR	517	29	78	19	7.0	51
H-TLSN-298419-GR	529	29	84	19	7.0	54
H-TLSN-296024-GL	414	29	60	24	5.0	49
H-TLSN-296624-GL	529	29	66	24	6.0	54
H-TLSN-297224-GL	547	29	72	24	6.0	59
H-TLSN-297824-GL	562	29	78	24	7.0	64
H-TLSN-298424-GL	578	29	84	24	7.0	69
H-TLSN-296024-GR	414	29	60	24	5.0	49
H-TLSN-296624-GR	529	29	66	24	6.0	54
H-TLSN-297224-GR	547	29	72	24	6.0	59
H-TLSN-297824-GR	562	29	78	24	7.0	64
H-TLSN-298424-GR	578	29	84	24	7.0	69
H-TLSN-296030-GL	452	29	60	30	5.0	61
H-TLSN-296630-GL	578	29	66	30	6.0	68
H-TLSN-297230-GL	595	29	72	30	6.0	74
H-TLSN-297830-GL	616	29	78	30	7.0	80
H-TLSN-298430-GL	632	29	84	30	7.0	86
H-TLSN-296030-GR	452	29	60	30	5.0	61
H-TLSN-296630-GR	578	29	66	30	6.0	68
H-TLSN-297230-GR	595	29	72	30	6.0	74
H-TLSN-297830-GR	616	29	78	30	7.0	80
H-TLSN-298430-GR	632	29	84	30	7.0	86

With Grommet

Code	Price	H	W	D	Vol.	Wt.
H-TLSH-296019-GL	400	29	60	19	5.0	39
H-TLSH-296619-GL	497	29	66	19	6.0	43
H-TLSH-297219-GL	510	29	72	19	6.0	47
H-TLSH-297819-GL	523	29	78	19	7.0	51
H-TLSH-298419-GL	534	29	84	19	7.0	54
H-TLSH-296019-GR	400	29	60	19	5.0	39
H-TLSH-296619-GR	497	29	66	19	6.0	43
H-TLSH-297219-GR	510	29	72	19	6.0	47
H-TLSH-297819-GR	523	29	78	19	7.0	51
H-TLSH-298419-GR	534	29	84	19	7.0	54
H-TLSH-296024-GL	428	29	60	24	5.0	49
H-TLSH-296624-GL	534	29	66	24	6.0	54
H-TLSH-297224-GL	550	29	72	24	6.0	59
H-TLSH-297824-GL	566	29	78	24	7.0	64
H-TLSH-298424-GL	581	29	84	24	7.0	69
H-TLSH-296024-GR	428	29	60	24	5.0	49
H-TLSH-296624-GR	534	29	66	24	6.0	54
H-TLSH-297224-GR	550	29	72	24	6.0	59
H-TLSH-297824-GR	566	29	78	24	7.0	64
H-TLSH-298424-GR	581	29	84	24	7.0	69
H-TLSH-296030-GL	465	29	60	30	5.0	61
H-TLSH-296630-GL	581	29	66	30	6.0	68
H-TLSH-297230-GL	599	29	72	30	6.0	74
H-TLSH-297830-GL	618	29	78	30	7.0	80
H-TLSH-298430-GL	638	29	84	30	7.0	86
H-TLSH-296030-GR	465	29	60	30	5.0	61
H-TLSH-296630-GR	581	29	66	30	6.0	68
H-TLSH-297230-GR	599	29	72	30	6.0	74
H-TLSH-297830-GR	618	29	78	30	7.0	80
H-TLSH-298430-GR	638	29	84	30	7.0	86



No Grommet



With Grommet

What's Included:

- Worksurface
- Modesty
- Reinforcement bar
- Supporting Leg

Notes:

One of the A-Legs will come with an infill with a small hole to run wires out the bottom

Options:

Widths: 42" 48", 54", 60", 66"

Depths: 30"

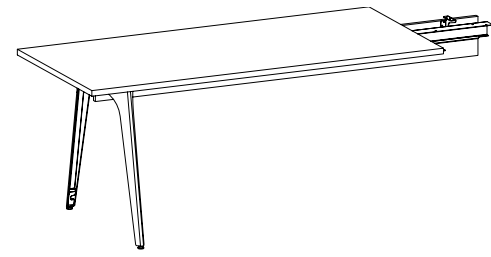
Laminate

Paint Finish

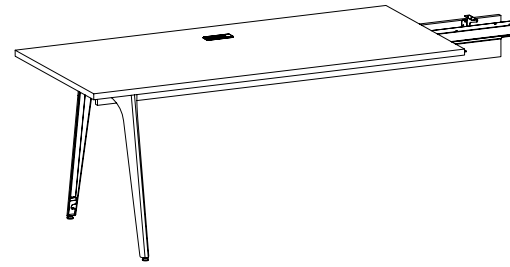
Electrics

A-Leg

Code	Price	H	W	D	Volume	Weight
No Grommet						
H-THAN-294230-L	1756	29	42	30	5.0	61
H-THAN-294830-L	1782	29	48	30	6.0	68
H-THAN-295430-L	1805	29	54	30	6.0	55
H-THAN-296030-L	1832	29	60	30	7.0	61
H-THAN-296630-L	1855	29	66	30	7.0	68
H-THAN-294230-R	1756	29	42	30	5.0	61
H-THAN-294830-R	1782	29	48	30	6.0	68
H-THAN-295430-R	1805	29	54	30	6.0	55
H-THAN-296030-R	1832	29	60	30	7.0	61
H-THAN-296630-R	1855	29	66	30	7.0	68
w/ Grommet						
H-THAH-294230-L	1760	29	42	30	5.0	43
H-THAH-294830-L	1784	29	48	30	6.0	49
H-THAH-295430-L	1808	29	54	30	6.0	55
H-THAH-296030-L	1835	29	60	30	7.0	61
H-THAH-296630-L	1858	29	66	30	7.0	68
H-THAH-294230-R	1760	29	42	30	5.0	43
H-THAH-294830-R	1784	29	48	30	6.0	49
H-THAH-295430-R	1808	29	54	30	6.0	55
H-THAH-296030-R	1835	29	60	30	7.0	61
H-THAH-296630-R	1858	29	66	30	7.0	68



No Grommet



With Grommet

What's Included:

- Worksurface
- Modesty
- Reinforcement bar
- Supporting Leg

Notes:

Options:

Widths: 42" 48", 54", 60", 66"

Depths: 30"

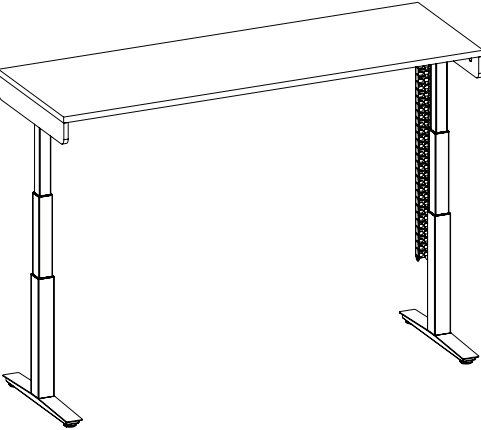
Laminate

Paint Finish

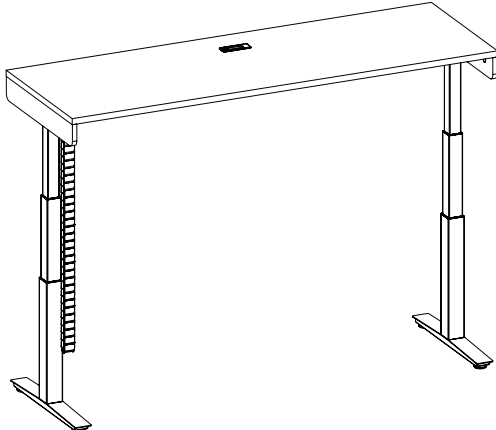
Electrics

V-Leg

Code	Price	H	W	D	Volume	Weight
No Grommet						
H-THVN-294230-L	1496	29	42	30	5.0	61
H-THVN-294830-L	1525	29	48	30	6.0	68
H-THVN-295430-L	1578	29	54	30	6.0	55
H-THVN-296030-L	1605	29	60	30	7.0	61
H-THVN-296630-L	1648	29	66	30	7.0	68
H-THVN-294230-R	1496	29	42	30	5.0	61
H-THVN-294830-R	1525	29	48	30	6.0	68
H-THVN-295430-R	1578	29	54	30	6.0	55
H-THVN-296030-R	1605	29	60	30	7.0	61
H-THVN-296630-R	1648	29	66	30	7.0	68
w/ Grommet						
H-THVH-294230-L	1503	29	42	30	5.0	43
H-THVH-294830-L	1530	29	48	30	6.0	49
H-THVH-295430-L	1585	29	54	30	6.0	55
H-THVH-296030-L	1611	29	60	30	7.0	61
H-THVH-296630-L	1654	29	66	30	7.0	68
H-THVH-294230-R	1503	29	42	30	5.0	43
H-THVH-294830-R	1530	29	48	30	6.0	49
H-THVH-295430-R	1585	29	54	30	6.0	55
H-THVH-296030-R	1611	29	60	30	7.0	61
H-THVH-296630-R	1654	29	66	30	7.0	68



no Grommet



With Grommet

What's Included:

- Height Adjustable Table Base
- e-chain
- Worksurface

How to Specify:

Notes:

Options:

Widths:

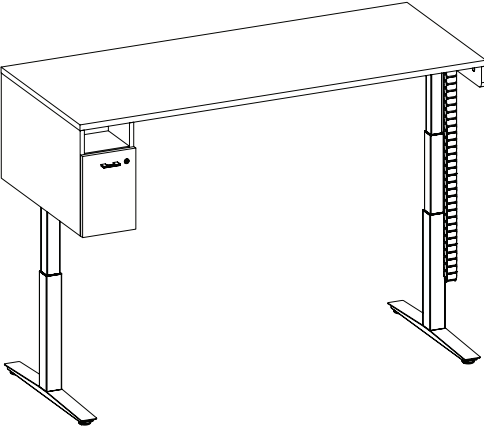
Depths:

Laminate

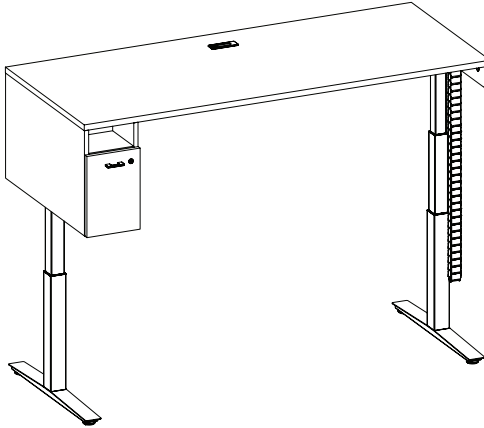
Paint Finish

Electrics

Code	Price	H	W	D	Volume	Weight
No Grommet						
H-HATN-A-6024	2017	26	60	24	3.0	128
H-HATN-A-6624	2037	26	66	24	4.0	132
H-HATN-A-7224	2051	26	72	24	5.0	136
H-HATN-A-6030	2091	26	60	30	4.0	132
H-HATN-A-6630	2113	26	66	30	5.0	136
H-HATN-A-7230	2132	26	72	30	6.0	140
w/ Grommet						
H-HATH-A-6024	2024	26	60	24	3.0	128
H-HATH-A-6624	2041	26	66	24	4.0	132
H-HATH-A-7224	2054	26	72	24	5.0	136
H-HATH-A-6030	2096	26	60	30	4.0	132
H-HATH-A-6630	2117	26	66	30	5.0	136
H-HATH-A-7230	2137	26	72	30	6.0	140



no Grommet



With Grommet

What's Included:

- Height Adjustable Table Base
- e-chain
- Worksurface
- Suspended storage

How to Specify:

LH storage or RH storage

Notes:

Options:

Widths: 60", 66", 72"

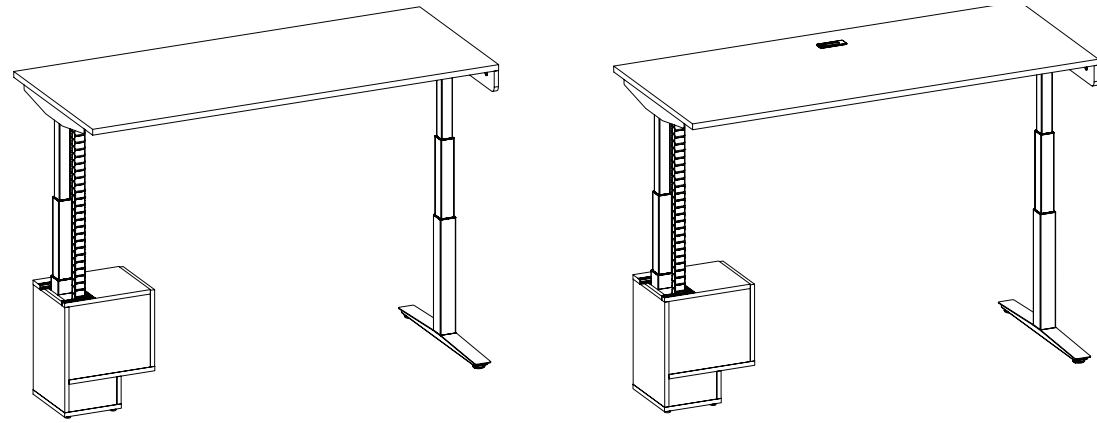
Depths: 24", 30"

Laminate

Paint Finish

Electrics

Code	Price	H	W	D	Volume	Weight
No Grommet						
H-HATN-B-6030-L	2750	26	60	30	4.0	132
H-HATN-B-6630-L	2770	26	66	30	5.0	136
H-HATN-B-7230-L	2787	26	72	30	6.0	140
H-HATN-B-6030-R	2750	26	60	30	4.0	132
H-HATN-B-6630-R	2770	26	66	30	5.0	136
H-HATN-B-7230-R	2787	26	72	30	6.0	140
w/ Grommet						
H-HATH-B-6030-L	2754	26	60	30	4.0	132
H-HATH-B-6630-L	2773	26	66	30	5.0	136
H-HATH-B-7230-L	2793	26	72	30	6.0	140
H-HATH-B-6030-R	2754	26	60	30	4.0	132
H-HATH-B-6630-R	2773	26	66	30	5.0	136
H-HATH-B-7230-R	2793	26	72	30	6.0	140



no Grommet

With Grommet

What's Included:

- Height Adjustable Table Base
- e-chain
- Worksurface
- Suspended storage
- Credenza Box

Notes:

How to Specify:

Extension to the RH or Extension to the LH

Options:

Widths: 60", 66", 72"

Depths: 24", 30"

Laminate

Paint Finish

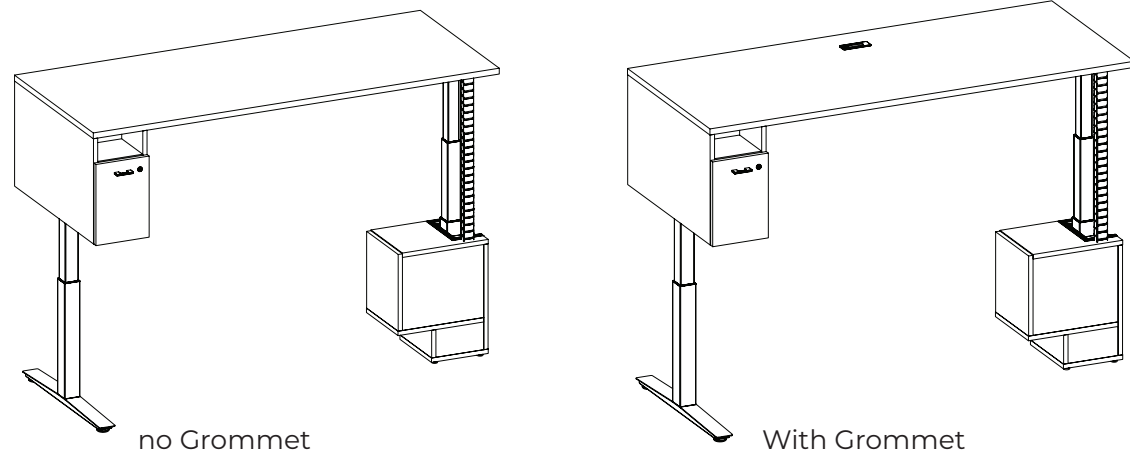
Electrics

No Grommet

w/Grommet

Code	Price	H	W	D	Vol.	Wt.
H-HATN-6-6024-L	3044	26	60	24	3.0	128
H-HATN-6-6624-L	3056	26	66	24	4.0	132
H-HATN-6-7224-L	3073	26	72	24	5.0	136
H-HATN-6-6024-R	3044	26	60	24	3.0	128
H-HATN-6-6624-R	3056	26	66	24	4.0	132
H-HATN-6-7224-R	3073	26	72	24	5.0	136
H-HATN-6-6030-L	3101	26	60	30	4.0	132
H-HATN-6-6630-L	3121	26	66	30	5.0	136
H-HATN-6-7230-L	3141	26	72	30	6.0	140
H-HATN-6-6030-R	3101	26	60	30	4.0	132
H-HATN-6-6630-R	3121	26	66	30	5.0	136
H-HATN-6-7230-R	3141	26	72	30	6.0	140
H-HATN-9-6024-L	3062	26	60	24	3.0	128
H-HATN-9-6624-L	3078	26	66	24	4.0	132
H-HATN-9-7224-L	3096	26	72	24	5.0	136
H-HATN-9-6024-R	3062	26	60	24	3.0	128
H-HATN-9-6624-R	3078	26	66	24	4.0	132
H-HATN-9-7224-R	3096	26	72	24	5.0	136
H-HATN-9-6030-L	3122	26	60	30	4.0	132
H-HATN-9-6630-L	3143	26	66	30	5.0	136
H-HATN-9-7230-L	3162	26	72	30	6.0	140
H-HATN-9-6030-R	3122	26	60	30	4.0	132
H-HATN-9-6630-R	3143	26	66	30	5.0	136
H-HATN-9-7230-R	3162	26	72	30	6.0	140

Code	Price	H	W	D	Vol.	Wt.
H-HATH-6-6024-L	3059	26	60	24	3.0	132
H-HATH-6-6624-L	3070	26	66	24	4.0	132
H-HATH-6-7224-L	3087	26	72	24	5.0	136
H-HATH-6-6024-R	3059	26	60	24	3.0	132
H-HATH-6-6624-R	3070	26	66	24	4.0	132
H-HATH-6-7224-R	3087	26	72	24	5.0	136
H-HATH-6-6030-L	3115	26	60	30	4.0	132
H-HATH-6-6630-L	3137	26	66	30	5.0	136
H-HATH-6-7230-L	3155	26	72	30	6.0	140
H-HATH-6-6030-R	3115	26	60	30	4.0	132
H-HATH-6-6630-R	3137	26	66	30	5.0	136
H-HATH-6-7230-R	3155	26	72	30	6.0	140
H-HATH-9-6024-L	3077	26	60	24	3.0	128
H-HATH-9-6624-L	3092	26	66	24	4.0	132
H-HATH-9-7224-L	3111	26	72	24	5.0	136
H-HATH-9-6024-R	3077	26	60	24	3.0	128
H-HATH-9-6624-R	3092	26	66	24	4.0	132
H-HATH-9-7224-R	3111	26	72	24	5.0	136
H-HATH-9-6030-L	3138	26	60	30	4.0	132
H-HATH-9-6630-L	3157	26	66	30	5.0	136
H-HATH-9-7230-L	3179	26	72	30	6.0	140
H-HATH-9-6030-R	3138	26	60	30	4.0	132
H-HATH-9-6630-R	3157	26	66	30	5.0	136
H-HATH-9-7230-R	3179	26	72	30	6.0	140



What's Included:

- Height Adjustable Table Base
- e-chain
- Worksurface
- Suspended storage
- Credenza Box

Notes:

How to Specify:

Extension to the RH or Extension to the LH

Options:

Widths: 60", 66", 72"

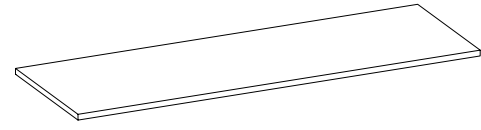
Depths: 24", 30"

Laminate

Paint Finish

Electrics

Code	Price	H	W	D	Volume	Weight
No Grommet						
H-HATN-D6-6030-L	3757	26	60	30	4.0	132
H-HATN-D6-6030-R	3757	26	60	30	4.0	132
H-HATN-D6-6630-L	3766	26	66	30	5.0	136
H-HATN-D6-6630-R	3766	26	66	30	5.0	136
H-HATN-D6-7230-L	3786	26	72	30	6.0	140
H-HATN-D6-7230-R	3786	26	72	30	6.0	140
H-HATN-D9-6030-L	3773	26	60	30	4.0	132
H-HATN-D9-6030-R	3773	26	60	30	4.0	132
H-HATN-D9-6630-L	3791	26	66	30	5.0	136
H-HATN-D9-6630-R	3791	26	66	30	5.0	136
H-HATN-D9-7230-L	3810	26	72	30	6.0	140
H-HATN-D9-7230-R	3810	26	72	30	6.0	140
w/ Grommet						
H-HATH-D6-6030-L	3773	26	60	30	4.0	132
H-HATH-D6-6630-L	3779	26	66	30	5.0	136
H-HATH-D6-7230-L	3799	26	72	30	6.0	140
H-HATH-D6-6030-R	3773	26	60	30	4.0	132
H-HATH-D6-6630-R	3779	26	66	30	5.0	136
H-HATH-D6-7230-R	3799	26	72	30	6.0	140
H-HATH-D9-6030-L	3786	26	60	30	4.0	132
H-HATH-D9-6630-L	3804	26	66	30	5.0	136
H-HATH-D9-7230-L	3827	26	72	30	6.0	140
H-HATH-D9-6030-R	3786	26	60	30	4.0	132
H-HATH-D9-6630-R	3804	26	66	30	5.0	136
H-HATH-D9-7230-R	3827	26	72	30	6.0	140



no Grommet

What's Included:

- Worksurface
- Grommet cover if grommet option is selected

How to Specify:

Notes:

Woodgrain runs side-to-side

Options:

Widths: 24", 30", 36", 42", 48", 54", 60", 66", 72", 78", 84"

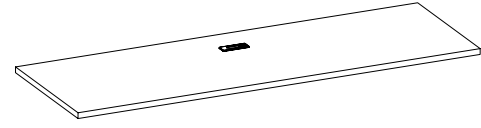
Depths: 19", 24", 30", 36"

Laminate

Paint Finish

Electrics

Code	Price	H	W	D	Volume	Weight
H-WS0N-2419	253	1	24	19	0.4	8
H-WS0N-3019	275	1	30	19	0.4	10
H-WS0N-3619	283	1	36	19	0.4	11
H-WS0N-4219	328	1	42	19	0.5	13
H-WS0N-4819	346	1	48	19	0.5	15
H-WS0N-5419	418	1	54	19	1.0	17
H-WS0N-6019	454	1	60	19	1.0	19
H-WS0N-6619	517	1	66	19	1.0	21
H-WS0N-7219	552	1	72	19	1.0	23
H-WS0N-7819	602	1	78	19	1.0	25
H-WS0N-8419	651	1	84	19	1.0	25
H-WS0N-2424	268	1	24	24	1.0	10
H-WS0N-3024	282	1	30	24	1.0	12
H-WS0N-3624	295	1	36	24	1.0	14
H-WS0N-4224	350	1	42	24	1.0	17
H-WS0N-4824	375	1	48	24	1.0	19
H-WS0N-5424	458	1	54	24	1.0	22
H-WS0N-6024	484	1	60	24	1.0	24
H-WS0N-6624	537	1	66	24	1.0	26
H-WS0N-7224	564	1	72	24	1.0	29
H-WS0N-7824	620	1	78	24	1.0	31
H-WS0N-8424	667	1	84	24	1.0	34
H-WS0N-3630	363	1	36	30	1.0	18
H-WS0N-4230	395	1	42	30	1.0	21
H-WS0N-4830	426	1	48	30	1.0	24
H-WS0N-5430	482	1	54	30	1.0	27
H-WS0N-6030	510	1	60	30	1.0	30
H-WS0N-6630	585	1	66	30	1.0	33
H-WS0N-7230	599	1	72	30	1.0	36
H-WS0N-7830	659	1	78	30	1.0	39
H-WS0N-8430	712	1	84	30	1.0	42
H-WS0N-5436	504	1	54	36	1.0	32
H-WS0N-6036	536	1	60	36	1.0	36
H-WS0N-6636	614	1	66	36	1.0	40
H-WS0N-7236	631	1	72	36	1.0	43
H-WS0N-7836	687	1	78	36	1.0	47
H-WS0N-8436	746	1	84	36	1.0	50



w/ Grommet

What's Included:

- Worksurface
- Grommet cover if grommet option is selected

How to Specify:

Notes:

Woodgrain runs side-to-side
 Grommet in the center back

Options:

Widths: 24", 30", 36", 42", 48", 54", 60", 66", 72", 78", 84"

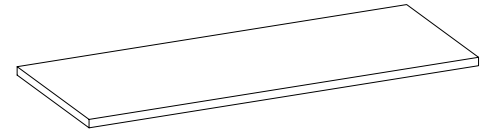
Depths: 19", 24", 30", 36"

Laminate

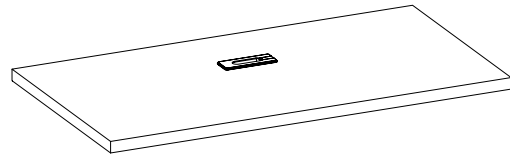
Paint Finish

Electrics

Code	Price	H	W	D	Volume	Weight
H-WS0H-2419	278	1	24	19	0.4	8
H-WS0H-3019	298	1	30	19	0.4	10
H-WS0H-3619	307	1	36	19	0.4	11
H-WS0H-4219	350	1	42	19	0.5	13
H-WS0H-4819	369	1	48	19	0.5	15
H-WS0H-5419	438	1	54	19	1.0	17
H-WS0H-6019	476	1	60	19	1.0	19
H-WS0H-6619	541	1	66	19	1.0	21
H-WS0H-7219	578	1	72	19	1.0	23
H-WS0H-7819	625	1	78	19	1.0	25
H-WS0H-8419	676	1	84	19	1.0	27
H-WS0H-2424	295	1	24	24	1.0	10
H-WS0H-3024	305	1	30	24	1.0	12
H-WS0H-3624	318	1	36	24	1.0	14
H-WS0H-4224	372	1	42	24	1.0	17
H-WS0H-4824	403	1	48	24	1.0	19
H-WS0H-5424	482	1	54	24	1.0	22
H-WS0H-6024	505	1	60	24	1.0	24
H-WS0H-6624	562	1	66	24	1.0	26
H-WS0H-7224	586	1	72	24	1.0	29
H-WS0H-7824	639	1	78	24	1.0	31
H-WS0H-8424	691	1	84	24	1.0	34
H-WS0H-3630	383	1	36	30	1.0	18
H-WS0H-4230	419	1	42	30	1.0	21
H-WS0H-4830	453	1	48	30	1.0	24
H-WS0H-5430	504	1	54	30	1.0	27
H-WS0H-6030	533	1	60	30	1.0	30
H-WS0H-6630	610	1	66	30	1.0	33
H-WS0H-7230	625	1	72	30	1.0	36
H-WS0H-7830	679	1	78	30	1.0	39
H-WS0H-8430	732	1	84	30	1.0	42
H-WS0H-5436	526	1	54	36	1.0	32
H-WS0H-6036	559	1	60	36	1.0	36
H-WS0H-6636	633	1	66	36	1.0	40
H-WS0H-7236	652	1	72	36	1.0	43
H-WS0H-7836	707	1	78	36	1.0	47
H-WS0H-8436	769	1	84	36	1.0	50



no Grommet



With Grommet

What's Included:

- Bridge surface
- Grommet cover if grommet option is selected

How to Specify:

Notes:

Woodgrain runs front to back
 Grommet in the center back

Options:

Widths: 36", 42", 48"

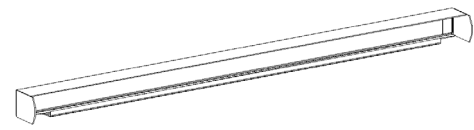
Depths: 19"

Laminate

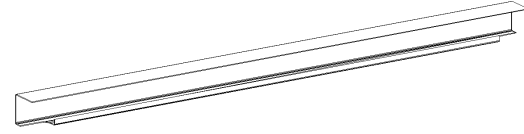
Paint Finish

Electrics

Code	Price	H	W	D	Vol.	Wt.
No Grommet						
H-WB0N-3619	283	1	36	19	0.4	11
H-WB0N-4219	328	1	42	19	0.5	13
H-WB0N-4819	346	1	48	19	0.5	15
H-WB0N-3624	295	1	36	24	1.0	14
H-WB0N-4224	350	1	42	24	1.0	17
H-WB0N-4824	375	1	48	24	1.0	19
w/ Grommet						
H-WB0H-3619	307	1	36	19	0.4	11
H-WB0H-4219	350	1	42	19	0.5	13
H-WB0H-4819	369	1	48	19	0.5	15
H-WB0H-3624	318	1	36	24	1.0	14
H-WB0H-4224	372	1	42	24	1.0	17
H-WB0H-4824	403	1	48	24	1.0	19



A-Leg



V-Leg

What's Included:

- Reinforcement bar and screws

How to Specify:

A-leg reinforcement bar needs to cover the full span between 2 A-legs or 1 A-leg to surface support storage

V-leg reinforcement bar does not connect to legs

Notes:

Bridge surfaces are supported by V-leg reinforcement bars

Options:

Widths: 24", 33", 39", 42", 45", 48", 51", 54", 57", 60", 63", 66", 69", 72", 78"

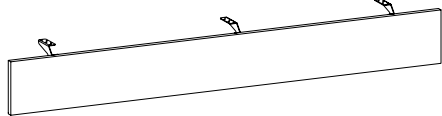
Depths: 2"

Laminate

Paint Finish

Electrics

Code	Price	H	W	D	Vol.	Wt.
A-Leg						
H-HRBA-24	272	2	24	2	0.2	6
H-HRBA-33	280	2	33	2	0.3	8
H-HRBA-39	283	2	39	2	0.3	10
H-HRBA-42	302	2	42	2	0.4	10
H-HRBA-45	312	2	45	2	0.4	11
H-HRBA-48	315	2	48	2	0.4	12
H-HRBA-51	329	2	51	2	0.4	13
H-HRBA-54	338	2	54	2	0.5	13
H-HRBA-57	347	2	57	2	1.0	14
H-HRBA-60	353	2	60	2	1.0	15
H-HRBA-63	357	2	63	2	1.0	16
H-HRBA-66	369	2	66	2	1.0	16
H-HRBA-69	373	2	69	2	1.0	17
H-HRBA-72	396	2	72	2	1.0	18
H-HRBA-78	398	2	78	2	1.0	19
V-Leg						
H-HRBV-24	126	2	24	2	0.2	6
H-HRBV-33	129	2	33	2	0.3	8
H-HRBV-39	136	2	39	2	0.3	10
H-HRBV-42	151	2	42	2	0.4	10
H-HRBV-45	163	2	45	2	0.4	11
H-HRBV-48	165	2	48	2	0.4	12
H-HRBV-51	174	2	51	2	0.4	13
H-HRBV-54	189	2	54	2	0.5	13
H-HRBV-57	195	2	57	2	1.0	14
H-HRBV-60	201	2	60	2	1.0	15
H-HRBV-63	205	2	63	2	1.0	16
H-HRBV-66	217	2	66	2	1.0	16
H-HRBV-69	223	2	69	2	1.0	17
H-HRBV-72	244	2	72	2	1.0	18
H-HRBV-78	245	2	78	2	1.0	19



Modesty

What's Included:

- 6"H laminate modesty and mounting brackets

How to Specify:

Notes:

woodgrain on the modesty runs horizontally

Options:

Widths:

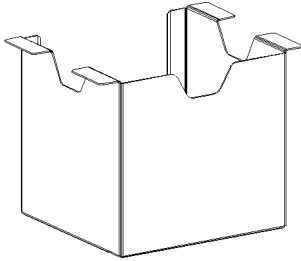
Depths:

Laminate

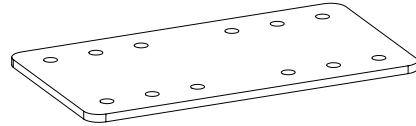
Paint Finish

Electrics

Code	Price	H	W	D	Vol.	Wt.
H-TM-0640	272	6	40	1	0.3	5
H-TM-0643	278	6	43	1	0.3	5
H-TM-0646	280	6	46	1	0.3	6
H-TM-0649	282	6	49	1	0.3	6
H-TM-0652	284	6	52	1	0.4	6
H-TM-0653	286	6	53	1	0.4	6
H-TM-0655	287	6	55	1	0.4	7
H-TM-0658	294	6	55	1	0.4	7
H-TM-0659	295	6	59	1	0.4	7
H-TM-0661	296	6	61	1	0.4	7
H-TM-0664	299	6	64	1	0.4	8
H-TM-0665	300	6	65	1	0.4	8
H-TM-0666	302	6	66	1	0.4	8
H-TM-0667	303	6	67	1	0.5	8
H-TM-0670	304	6	67	1	0.5	8
H-TM-0671	305	6	71	1	0.5	9
H-TM-0672	306	6	72	1	0.5	9
H-TM-0673	307	6	73	1	0.5	9
H-TM-0677	311	6	77	1	1.0	9
H-TM-0678	312	6	77	1	1.0	9
H-TM-0679	315	6	79	1	1.0	9



Support Box



WS to WS Flush Plate

What's Included:

- Worksurface support & hardware

How to Specify:

A-leg reinforcement bar needs to cover the full span between 2 A-legs or 1 A-leg to surface support storage

V-leg reinforcement bar does not connect to legs

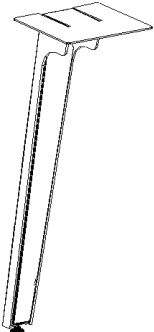
Notes:

Bridge surfaces are supported by V-leg reinforcement bars

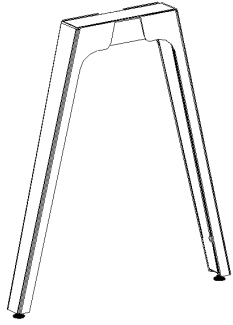
Options:

- Widths: 24", 33", 39", 42", 45", 48", 51", 54", 57", 60", 63", 66", 69", 72", 78"
- Depths: 2"
- Laminate
- Paint Finish
- Electrics

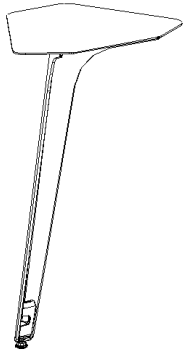
Code	Price	H	W	D	Vol.	Wt.
Support Box						
H-HBOX	148	2	78	2	1.0	19
WS to WS Flush Plate						
H-HFP	46	2	78	2	1.0	19



Single A-Leg



Double A-Leg



Single V-Leg

What's Included:

- Table Support Leg & Hardware

How to Specify:

Notes:

One of the A-Legs will come with an infill with a small hole to run wires out the bottom

Options:

Widths: 2" _____

Depths: 2" _____

Laminate _____

Paint Finish _____

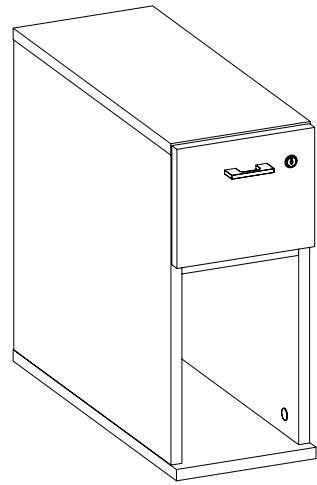
Electrics _____

Code	Price	H	W	D	Volume	Weight
A-Leg						
Single/Seated Height						
H-HTA1-28	422	28	2	2	1.0	5
Double/Seated Height						
H-HTA2-2824	653	28	2	2	1.0	5
H-HTA2-2830	665	28	2	2	1.0	6
H-HTA2-2836	675	28	2	2	1.0	7
H-HTA2-2842	745	28	2	2	1.0	8
H-HTA2-2848	754	28	2	2	1.0	9
Double/Standing Height						
H-HTA2-4136	829	28	2	2	1.0	7
H-HTA2-4142	896	28	2	2	1.0	8
H-HTA2-4148	909	28	2	2	1.0	9
V-Leg						
Single/Seated Height						
H-HTV1-28	372	28	2	2	1.0	5
Single/Standing Height						
H-HTV1-41	444	28	2	2	1.0	7

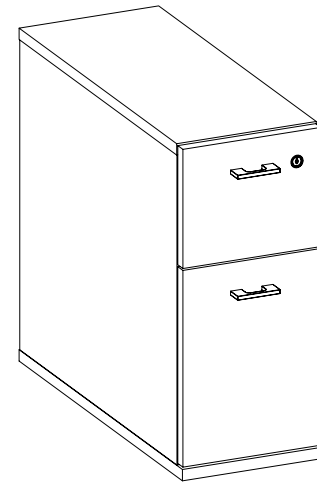


Halifax Pricebook
February 2024
Storage

Pedestal	
Underdesk	106
Underdesk w/ hinged Door	108
Mobile	110
Lateral	
Underdesk & Freestanding Box/File	112
Single File	114
Freestanding File Drawers	116
Freestanding w/ Shelf	118
Underdesk w/ Shelf	119
Low Credenza	
Hinged Doors	120
Sliding Doors	122
Open & Lateral	124
End Cap	126
High Credenza	
Hinged Door	128
Lateral & Doors	130
Open & Lateral	132
Shelf Above Sliding Door	134
Open Shelf Above Lateral	136
Credenza Raised Back	137
Credenza Open End Box w/ Top	138
Cushion	140
Gallery Wall	142
Mobile Credenza Open & Lateral	144
Hutch	
Laminate w/ Hinged doors	146
Laminate w/ Sliding Door	148
Metal w/ Hinged doors	150
Metal w/ Sliding Door	152
Wall Mounted w/ Hinged door	154
Wall mounted w/ Sliding Door	156
Accent Shelf	158
Combo Cabinet Open Shelf/File Drawer	160
Combo Cabinet Lateral Storage	162
Locker Tower w/shelves	164
Locker w/ side access	166
Bookcase	168
Audio Visual Unit	170
Support	171
Audio Visual Mounted Video Table	172



Box/Open



Box/File

What's Included:

- Underdesk Box/Open Pedestal or
- Underdesk Box/File Pedestal

How to Specify:

- Legs to be specified separately

Notes:

Options:

Widths: 10", 16"

Depths: 19", 24", 30"

Laminate

Paint Finish

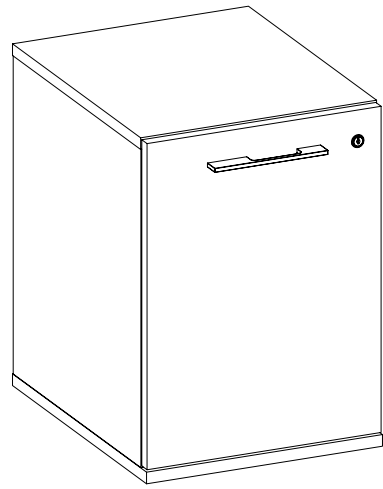
Electrics

Box/Open

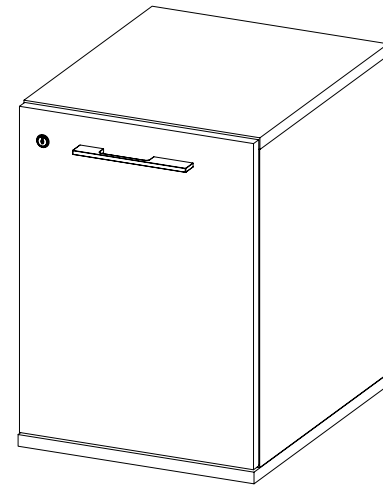
Code	Price	H	W	D	Volume	Weight
H-FPBO-281019	769	28	10	19	3.0	20
H-FPBO-281619	826	28	16	19	4.0	34
H-FPBO-281624	875	28	16	24	5.0	43
H-FPBO-281024	803	28	10	19	3.0	26
H-FPBO-281030	853	28	10	19	4.0	32
H-FPBO-281630	932	28	16	30	7.0	54

Box/File

Code	Price	H	W	D	Volume	Weight
H-FPBF-281019	1009	28	9.5	19	3.0	22
H-FPBF-281619	1041	28	16	19	5.0	39.5
H-FPBF-281024	1038	28	9.5	24	3.2	25.54
H-FPBF-281624	1059	28	16	24	5.4	43.01
H-FPBF-281030	1053	28	9.5	30	4.0	31.92
H-FPBF-281630	1075	28	16	30	6.7	53.76



Left hand hinged door



Right hand hinged door

What's Included:

- Underdesk Storage Pedestal

How to Specify:

- Legs to be specified separately

Notes:

Options:

Widths: 10", 16"

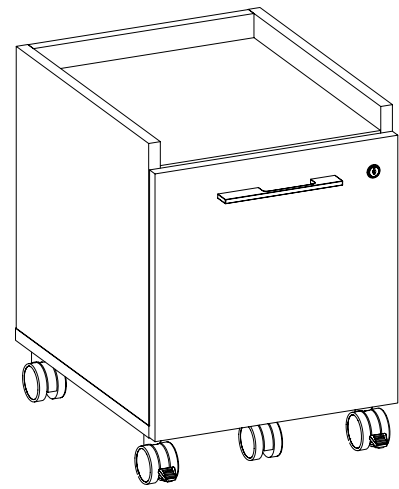
Depths: 19", 24", 30"

Laminate

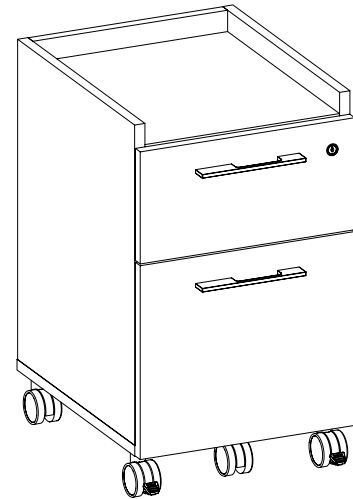
Paint Finish

Electrics

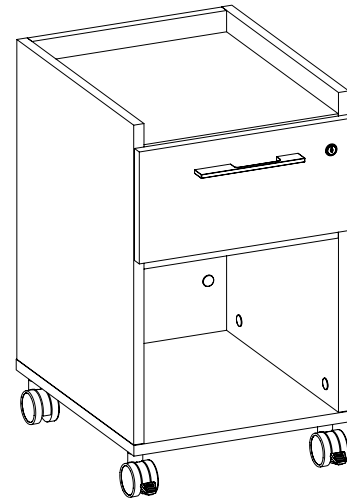
Code	Price	H	W	D	Volume	Weight
H-FPH0-281019-L	746	28	10	19	3.0	20
H-FPH0-281019-R	746	28	10	19	3.0	20
H-FPH0-281619-L	803	28	16	19	4.0	34
H-FPH0-281619-R	803	28	16	19	4.0	34
H-FPH0-281024-L	782	28	10	24	3.0	26
H-FPH0-281024-R	782	28	10	24	3.0	26
H-FPH0-281624-L	853	28	16	24	5.0	43
H-FPH0-281624-R	853	28	16	24	5.0	43
H-FPH0-281030-L	826	28	10	30	3.0	32
H-FPH0-281030-R	826	28	10	30	3.0	32
H-FPH0-281630-L	902	28	16	30	7.0	53
H-FPH0-281630-R	902	28	16	30	7.0	53



File



Box/File



Box Drawer/
Open Bottom

What's Included:

- Mobile Pedestal

How to Specify:

- Legs to be specified separately

Notes:

Options:

Widths: 16"

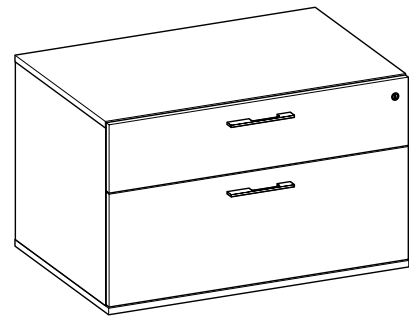
Depths: 19", 20"

Laminate

Paint Finish

Electrics

Code	Price	H	W	D	Volume	Weight
File						
H-FP0F-221620-M	901	22	16	19	4.0	34
Box/File						
H-FPBF-271620-M	959	27	16	19	4.0	34
Box Drawer/Open Bottom						
H-FPBO-271620-M	952	27	16	20	4.0	34



Underdesk



Freestanding

What's Included:

- Underdesk Box/File Lateral

How to Specify:

- Legs to be specified separately

Notes:

Options:

Widths: 24", 30", 36", 42"

Depths: 19", 24"

Laminate

Paint Finish

Electrics

Code	Price	H	W	D	Volume	Weight
Underdesk						
H-FLBU-282419	1268	28	24	19	8.0	55
H-FLBU-283019	1333	28	30	19	8.0	60
H-FLBU-283619	1461	28	36	19	10.0	72
H-FLBU-284219	1473	28	42	19	12.0	84
H-FLBU-282424	1313	28	24	24	9.0	59
H-FLBU-283024	1383	28	30	24	8.0	60
H-FLBU-283624	1600	28	36	24	10.0	72
H-FLBU-284224	1538	28	42	24	12.0	84
Freestanding						
H-FLBF-292419	1485	29	24	19	8.0	56
H-FLBF-293019	1565	29	30	19	8.0	60
H-FLBF-293619	1630	29	36	19	10.0	72
H-FLBF-294219	1693	29	42	19	12.0	84
H-FLBF-292424	1529	29	24	24	9.0	60
H-FLBF-293024	1611	29	30	24	10.0	76
H-FLBF-293624	1681	29	36	24	13.0	91
H-FLBF-294224	1749	29	42	24	15.0	106



Single File

What's Included:

- Single Lateral

How to Specify:

- Legs to be specified separately

Notes:

Options:

Widths: 24", 30", 36", 42"

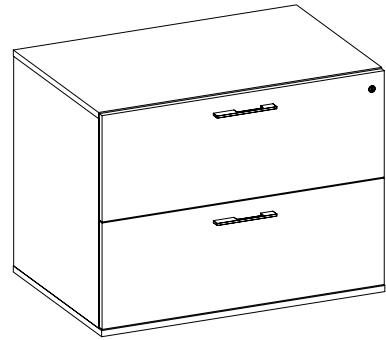
Depths: 19", 24"

Laminate

Paint Finish

Electrics

Code	Price	H	W	D	Volume	Weight
H-FL1F-202419	1004	20	24	19	6.0	42
H-FL1F-203019	1057	20	30	19	6.0	46
H-FL1F-203619	1111	20	36	19	7.0	55
H-FL1F-204219	1167	20	42	19	8.0	64
H-FL1F-202424	1049	20	24	24	6.0	54
H-FL1F-203024	1102	20	30	24	7.0	58
H-FL1F-203624	1162	20	36	24	9.0	69
H-FL1F-204224	1227	20	42	24	10.0	81



2 Drawers



3 Drawers

What's Included:

- Freestanding Lateral

How to Specify:

- Legs to be specified separately

Notes:

Options:

Widths: 24", 30", 36", 42"

Depths: 19", 24"

Laminate

Paint Finish

Electrics

Code	Price	H	W	D	Volume	Weight
2 Drawer						
H-FL2F-342419	1462	34	24	19	10.0	72
H-FL2F-343019	1540	34	30	19	10.0	78
H-FL2F-343619	1597	34	36	19	93.0	93
H-FL2F-344219	1711	34	42	19	14.0	109
H-FL2F-342424	1500	34	24	24	10.0	79
H-FL2F-343024	1577	34	30	24	12.0	98
H-FL2F-343624	1697	34	36	24	15.0	118
H-FL2F-344224	1818	34	42	24	17.0	137
3 Drawer						
H-FL3F-472419	2364	47	24	19	13.0	98
H-FL3F-473019	2488	47	30	19	13.0	107
H-FL3F-473619	2576	47	36	19	16.0	129
H-FL3F-474219	2773	47	47	19	19.0	150
H-FL3F-472424	2416	47	24	24	14.0	118
H-FL3F-473024	2543	47	30	24	17.0	135
H-FL3F-473624	2755	47	36	24	20.0	162
H-FL3F-474224	2968	47	47	19	24.0	190



Freestanding w/ Shelf

What's Included:

- Underdesk w/shelf

How to Specify:

- Legs to be specified separately

Options:

Widths: 24",30", 36", 42"

Depths: 19", 24"

Height: 29"

Laminate

Paint Finish

Electrics

Notes:

Code	Price	H	W	D	Volume	Weight
H-FLSF-292419	1092	29	24	19	8.0	56
H-FLSF-293019	1150	29	30	19	8.0	60
H-FLSF-293619	1220	29	36	19	10.0	72
H-FLSF-294219	1292	29	42	19	12.0	84
H-FLSF-292424	1152	29	24	19	9.0	60
H-FLSF-293024	1213	29	30	24	10.0	76
H-FLSF-293624	1356	29	36	24	13.0	91
H-FLSF-294224	1368	29	42	19	15.0	106



Underdesk w/ Shelf

What's Included:

- Underdesk w/shelf

How to Specify:

- Legs to be specified separately

Options:

Widths: 24",30", 36", 42"

Depths: 19", 24"

Height: 29"

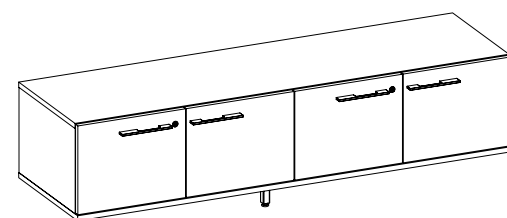
Laminate

Paint Finish

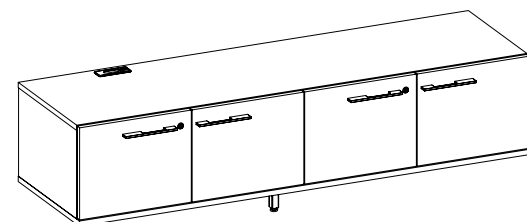
Electrics

Notes:

Code	Price	H	W	D	Volume	Weight
H-FLSU-282419	1063	28	24	24	8.3	51
H-FLSU-282424	1120	28	24	19	8.3	56
H-FLSU-283019	1080	28	30	24	8.3	55.11
H-FLSU-283024	1141	28	30	19	8.3	60.14
H-FLSU-283619	1146	28	36	24	8.3	67.23
H-FLSU-283624	1272	28	36	19	8.3	72.56
H-FLSU-284219	1214	28	42	24	8.3	79.15
H-FLSU-284224	1286	28	42	19	8.3	92.13



no Grommet



With Grommet

What's Included:

- Low Credenza

How to Specify:

- Legs to be specified separately

Options:

Widths: 30", 36", 42", 48", 54", 60", 66", 72", 78", 84"

Depths: 16", 19"

Height: 20"

Laminate

Paint Finish

Electrics

Notes:

No Grommet

Code	Price	H	W	D	Vol.	Wt.
H-CRHH-203016	793	20	30	16	8.0	35
H-CRHH-203616	836	20	36	16	10.0	42
H-CRHH-204216	931	20	42	16	11.0	50
H-CRHH-204816	974	20	48	16	13.0	57
H-CRHH-205416	1061	20	54	16	14.0	65
H-CRHH-206016	1156	20	60	16	16.0	73
H-CRHH-206616	1201	20	66	16	17.0	80
H-CRHH-207216	1243	20	72	16	19.0	88
H-CRHH-207816	1286	20	78	16	21.0	95
H-CRHH-208416	1331	20	84	16	22.0	103

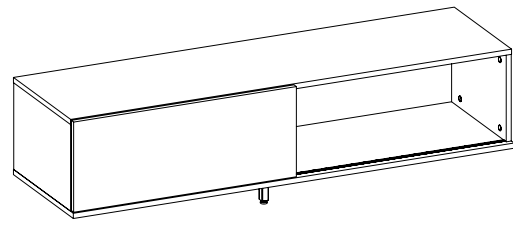
Code	Price	H	W	D	Vol.	Wt.
H-CRHH-204219	1022	20	42	16	11.0	53
H-CRHH-203019	872	20	30	19	8.0	38
H-CRHH-203619	919	20	36	19	10.0	46
H-CRHH-204819	1068	20	48	19	13.0	61
H-CRHH-205419	1163	20	54	19	14.0	68
H-CRHH-206019	1268	20	60	19	16.0	76
H-CRHH-206619	1313	20	66	19	17.0	84
H-CRHH-207219	1362	20	72	19	19.0	91
H-CRHH-207819	1412	20	78	19	21.0	99
H-CRHH-208419	1459	20	84	16	22.0	106

w/Grommet - left hand

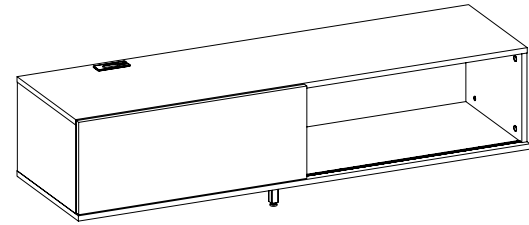
Code	Price	H	W	D	Vol.	Wt.
H-CRHH-203016-L	933	20	30	16	8.0	35
H-CRHH-203616-L	976	20	36	16	10.0	42
H-CRHH-204216-L	1191	20	42	16	11.0	50
H-CRHH-204816-L	1233	20	48	16	13.0	57
H-CRHH-205416-L	1368	20	54	16	14.0	65
H-CRHH-206016-L	1412	20	60	16	16.0	73
H-CRHH-206616-L	1613	20	66	16	17.0	80
H-CRHH-207216-L	1655	20	72	16	19.0	88
H-CRHH-207816-L	1697	20	78	16	21.0	95
H-CRHH-208416-L	1739	20	84	16	22.0	103
H-CRHH-203019-L	960	20	30	19	8.0	38
H-CRHH-203619-L	1004	20	36	19	10.0	46
H-CRHH-204219-L	1233	20	42	16	11.0	53
H-CRHH-204819-L	1277	20	48	19	13.0	61
H-CRHH-205419-L	1418	20	54	19	14.0	68
H-CRHH-206019-L	1460	20	60	19	16.0	76
H-CRHH-206619-L	1667	20	66	19	17.0	84
H-CRHH-207219-L	1711	20	72	19	19.0	91
H-CRHH-207819-L	1762	20	78	19	21.0	99
H-CRHH-208419-L	1803	20	84	16	22.0	106

w/Grommet - right hand

Code	Price	H	W	D	Vol.	Wt.
H-CRHH-203016-R	933	20	30	16	8.0	35
H-CRHH-203616-R	976	20	36	16	10.0	42
H-CRHH-204216-R	1191	20	42	16	11.0	50
H-CRHH-204816-R	1233	20	48	16	13.0	57
H-CRHH-205416-R	1368	20	54	16	14.0	65
H-CRHH-206016-R	1412	20	60	16	16.0	73
H-CRHH-206616-R	1613	20	66	16	17.0	80
H-CRHH-207216-R	1655	20	72	16	19.0	88
H-CRHH-207816-R	1697	20	78	16	21.0	95
H-CRHH-208416-R	1739	20	84	16	22.0	103
H-CRHH-204219-R	1233	20	42	16	11.0	53
H-CRHH-208419-R	1803	20	84	16	22.0	106
H-CRHH-203019-R	960	20	30	19	8.0	38
H-CRHH-203619-R	1004	20	36	19	10.0	46
H-CRHH-204819-R	1277	20	48	19	13.0	61
H-CRHH-205419-R	1418	20	54	19	14.0	68
H-CRHH-206019-R	1460	20	60	19	16.0	76
H-CRHH-206619-R	1667	20	66	19	17.0	84
H-CRHH-207219-R	1711	20	72	19	19.0	91
H-CRHH-207819-R	1762	20	78	19	21.0	99



no Grommet



With Grommet

What's Included:

- Low Credenza

How to Specify:

- Legs to be specified separately

Notes:

Options:

Widths: 30", 36", 42", 48", 54", 60", 66", 72", 78", 84"

Depths: 16", 19"

Height:

Laminate

Paint Finish

Electrics

No Grommet

Code	Price	H	W	D	Vol.	Wt.
H-CRSD-203016	1150	20	30	16	8.0	28
H-CRSD-203616	1194	20	36	16	10.0	35
H-CRSD-204216	1246	20	42	16	11.0	41
H-CRSD-204816	1292	20	48	16	13.0	48
H-CRSD-205416	1438	20	54	16	14.0	54
H-CRSD-206016	1490	20	60	16	16.0	61
H-CRSD-206616	1537	20	66	16	17.0	66
H-CRSD-207216	1588	20	72	16	19.0	74
H-CRSD-207816	1632	20	78	16	21.0	80
H-CRSD-208416	1685	20	84	16	22.0	86

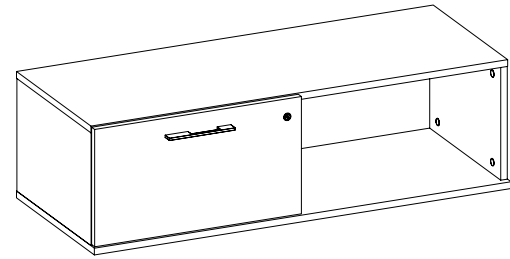
Code	Price	H	W	D	Vol.	Wt.
H-CRSD-203619	1231	20	36	19	10.0	39
H-CRSD-203019	1180	20	30	19	8.0	33
H-CRSD-204219	1284	20	42	19	11.0	46
H-CRSD-204819	1336	20	48	19	13.0	52
H-CRSD-205419	1484	20	54	19	14.0	59
H-CRSD-206019	1537	20	60	19	16.0	65
H-CRSD-206619	1588	20	66	19	17.0	72
H-CRSD-207219	1640	20	72	19	19.0	78
H-CRSD-207819	1700	20	78	19	21.0	85
H-CRSD-208419	1751	20	84	19	22.0	91

No Grommet- left hand

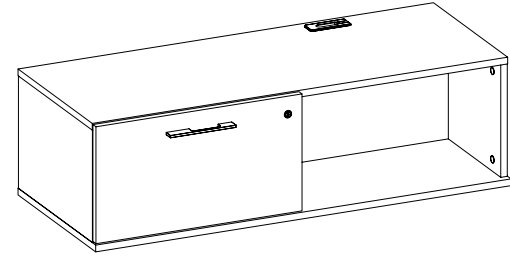
Code	Price	H	W	D	Vol.	Wt.
H-CRSD-203016-L	1219	20	30	16	8.0	28
H-CRSD-203616-L	1270	20	36	16	10.0	35
H-CRSD-204216-L	1322	20	42	16	11.0	41
H-CRSD-204816-L	1374	20	48	16	13.0	48
H-CRSD-205416-L	1530	20	54	16	14.0	54
H-CRSD-206016-L	1582	20	60	16	16.0	61
H-CRSD-206616-L	1636	20	66	16	17.0	66
H-CRSD-207216-L	1688	20	72	16	19.0	74
H-CRSD-207816-L	1738	20	78	16	21.0	80
H-CRSD-208416-L	1791	20	84	16	22.0	86
H-CRSD-203019-L	1256	20	30	19	8.0	33
H-CRSD-203619-L	1308	20	36	19	10.0	39
H-CRSD-204219-L	1366	20	42	19	11.0	46
H-CRSD-204819-L	1419	20	48	19	13.0	52
H-CRSD-205419-L	1575	20	54	19	14.0	59
H-CRSD-206019-L	1636	20	60	19	16.0	65
H-CRSD-206619-L	1688	20	66	19	17.0	72
H-CRSD-207219-L	1745	20	72	19	19.0	78
H-CRSD-207819-L	1797	20	78	19	21.0	85
H-CRSD-208419-L	1857	20	84	19	22.0	91

w/Grommet- right hand

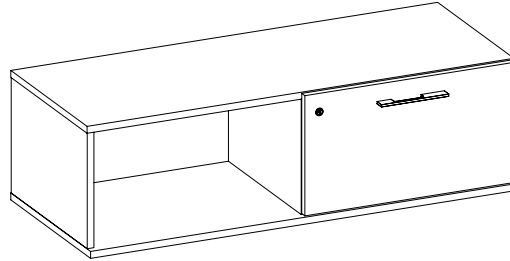
Code	Price	H	W	D	Vol.	Wt.
H-CRSD-203616-R	1270	20	36	16	10.0	35
H-CRSD-203016-R	1219	20	30	16	8.0	28
H-CRSD-204216-R	1322	20	42	16	11.0	41
H-CRSD-204816-R	1374	20	48	16	13.0	48
H-CRSD-205416-R	1530	20	54	16	14.0	54
H-CRSD-206016-R	1582	20	60	16	16.0	61
H-CRSD-206616-R	1636	20	66	16	17.0	66
H-CRSD-207216-R	1688	20	72	16	19.0	74
H-CRSD-207816-R	1738	20	78	16	21.0	80
H-CRSD-208416-R	1791	20	84	16	22.0	86
H-CRSD-203019-R	1256	20	30	19	8.0	33
H-CRSD-203619-R	1308	20	36	19	10.0	39
H-CRSD-204219-R	1366	20	42	19	11.0	46
H-CRSD-204819-R	1419	20	48	19	13.0	52
H-CRSD-205419-R	1575	20	54	19	14.0	59
H-CRSD-206019-R	1636	20	60	19	16.0	65
H-CRSD-206619-R	1688	20	66	19	17.0	72
H-CRSD-207219-R	1745	20	72	19	19.0	78
H-CRSD-207819-R	1797	20	78	19	21.0	85
H-CRSD-208419-R	1857	20	84	19	22.0	91



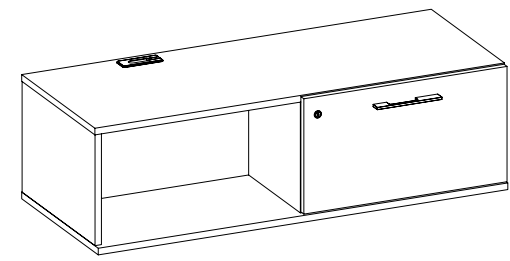
Lateral/Open No Grommet



Lateral/Open With Grommet



Open/Lateral No Grommet



Open/Lateral w/ Grommet

What's Included:

- Low Credenza

How to Specify:

- Legs to be specified separately

Notes:

Options:

Widths: 48", 54", 60", 66", 72", 78", 84"

Depths: 19"

Laminate

Paint Finish

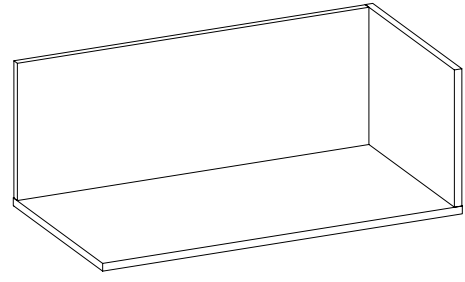
Electrics

No Grommet

Code	Price	H	W	D	Vol.	Wt.
Lateral/Open						
H-CRLO-204819	1221	20	48	19	13.0	61
H-CRLO-205419	1363	20	54	19	14.0	68
H-CRLO-206019	1423	20	60	19	16.0	76
H-CRLO-206619	1467	20	66	19	17.0	84
H-CRLO-207219	1525	20	72	19	19.0	91
H-CRLO-207819	1565	20	78	19	21.0	99
H-CRLO-208419	1623	20	84	19	22.0	106
Open/Lateral						
H-CROL-204819	1221	20	48	19	13.0	61
H-CROL-205419	1363	20	54	19	14.0	68
H-CROL-206019	1423	20	60	19	16.0	76
H-CROL-206619	1467	20	66	19	17.0	84
H-CROL-207219	1525	20	72	19	19.0	91
H-CROL-207819	1565	20	78	19	21.0	99
H-CROL-208419	1623	20	84	19	22.0	106

w/Grommet

Code	Price	H	W	D	Vol.	Wt.
Lateral/Open						
H-CRLO-204819-R	1312	20	48	19	13.0	61
H-CRLO-205419-R	1462	20	54	19	14.0	68
H-CRLO-206019-R	1522	20	60	19	16.0	76
H-CRLO-206619-R	1566	20	66	19	17.0	84
H-CRLO-207219-R	1632	20	72	19	19.0	91
H-CRLO-207819-R	1677	20	78	19	21.0	99
H-CRLO-208419-R	1736	20	84	19	22.0	106
Open/Lateral						
H-CROL-204819-L	1312	20	48	19	13.0	61
H-CROL-205419-L	1462	20	54	19	14.0	68
H-CROL-206019-L	1522	20	60	19	16.0	76
H-CROL-206619-L	1566	20	66	19	17.0	84
H-CROL-207219-L	1632	20	72	19	19.0	91
H-CROL-207819-L	1677	20	78	19	21.0	99
H-CROL-208419-L	1736	20	84	19	22.0	106



End Cap-
LH shown

What's Included:

- Low Credenza End Cap Open Shelf

How to Specify:

- Legs to be specified separately
- Open to RH or LH

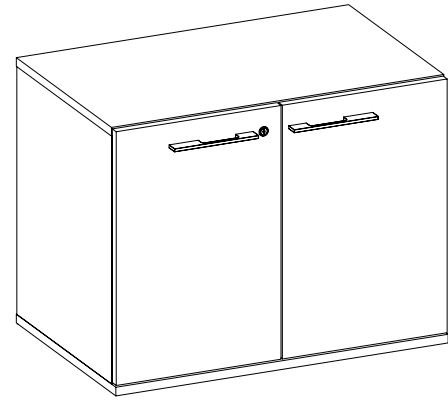
Notes:

Options:

Widths:	9", 12", 15", 18", 21", 27", 30", 36", 39", 42", 45", 48"
Depths:	16", 19"
Height:	20", 29"
Laminate	
Paint Finish	
Electrics?	

Code	Price	H	W	D	Vol.	Wt.
H-CREC-200916-L	268	29	9	16	1.0	8
H-CREC-200916-R	268	20	9	16	1.0	8
H-CREC-201216-L	282	20	12	16	2.0	11
H-CREC-201216-R	282	20	12	16	2.0	11
H-CREC-201516-L	293	20	15	16	2.0	14
H-CREC-201516-R	293	20	15	16	2.0	14
H-CREC-201816-L	299	20	18	16	2.0	17
H-CREC-201816-R	299	20	18	16	2.0	17
H-CREC-202116-L	311	20	21	16	2.0	20
H-CREC-202116-R	311	20	21	16	2.0	20
H-CREC-202416-L	328	20	24	16	2.0	23
H-CREC-202416-R	328	20	24	16	2.0	23
H-CREC-202716-L	335	20	27	16	2.0	26
H-CREC-202716-R	335	20	27	16	2.0	26
H-CREC-203016-L	345	20	30	16	2.0	29
H-CREC-203016-R	345	20	30	16	2.0	29
H-CREC-203316-L	358	20	33	16	2.0	32
H-CREC-203316-R	358	20	33	16	2.0	32
H-CREC-203616-L	364	20	36	16	2.0	35
H-CREC-203616-R	364	20	36	16	2.0	35
H-CREC-203916-L	379	20	39	16	2.0	38
H-CREC-203916-R	379	20	39	16	2.0	38
H-CREC-204216-L	385	20	42	16	3.0	41
H-CREC-204216-R	385	20	42	16	3.0	41
H-CREC-204516-L	395	20	45	16	3.0	44
H-CREC-204516-R	395	20	45	16	3.0	44
H-CREC-204816-L	409	20	48	16	3.0	47
H-CREC-204816-R	409	20	48	16	3.0	47

Code	Price	H	W	D	Vol.	Wt.
H-CREC-200919-L	277	20	9	19	2.0	10
H-CREC-200919-R	277	20	9	19	2.0	10
H-CREC-201219-L	293	20	12	19	2.0	13
H-CREC-201219-R	293	20	12	19	2.0	13
H-CREC-201519-L	299	20	15	19	2.0	16
H-CREC-201519-R	299	20	15	19	2.0	16
H-CREC-201819-L	304	20	18	19	2.0	19
H-CREC-201819-R	304	20	18	19	2.0	19
H-CREC-202119-L	311	20	21	19	2.0	22
H-CREC-202119-R	311	20	21	19	2.0	22
H-CREC-202419-L	328	20	24	19	2.0	25
H-CREC-202419-R	328	20	24	19	2.0	25
H-CREC-202719-L	347	20	27	19	2.0	27
H-CREC-202719-R	347	20	27	19	2.0	27
H-CREC-203019-L	359	20	30	19	2.0	31
H-CREC-203019-R	359	20	30	19	2.0	31
H-CREC-203319-L	371	20	33	19	2.0	33
H-CREC-203319-R	371	20	33	19	2.0	33
H-CREC-203619-L	374	20	36	19	2.0	37
H-CREC-203619-R	374	20	36	19	2.0	37
H-CREC-203919-L	387	20	39	19	3.0	40
H-CREC-203919-R	387	20	39	19	3.0	40
H-CREC-204219-L	396	20	42	19	3.0	43
H-CREC-204219-R	396	20	42	19	3.0	43
H-CREC-204519-L	405	20	45	19	3.0	46
H-CREC-204519-R	405	20	45	19	3.0	46
H-CREC-204819-L	421	20	48	19	3.0	49
H-CREC-204819-R	421	20	48	19	3.0	49



High Credenza w/ hinged door

What's Included:

- High Credenza

How to Specify:

Legs to be specified separately

Notes:

Options:

Widths: 30", 36", 42", 48", 54", 60", 66", 72", 78", 84"

Depths: 19", 24"

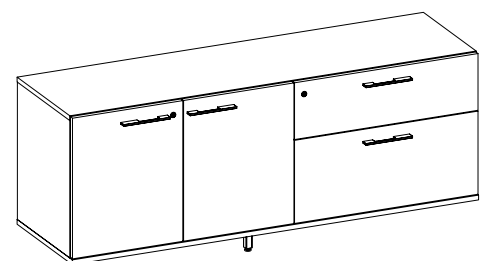
Height: 29"

Laminate

Paint Finish

Electrics

Code	Price	H	W	D	Volume	Weight
H-CRHH-293019	1202	29	30	19	11.0	55
H-CRHH-293619	1294	29	36	19	14.0	66
H-CRHH-294219	1397	29	42	19	16.0	77
H-CRHH-294819	1613	29	48	19	18.0	88
H-CRHH-295419	1785	29	54	19	18.0	96
H-CRHH-296019	1856	29	60	19	23.0	110
H-CRHH-296619	2012	29	66	19	23.0	118
H-CRHH-297219	2078	29	72	19	28.0	132
H-CRHH-297819	2145	29	78	19	28.0	140
H-CRHH-298419	2204	29	84	19	32.0	154
H-CRHH-293024	1272	29	30	24	15.0	70
H-CRHH-293624	1372	29	36	24	17.0	84
H-CRHH-294224	1651	29	42	24	20.0	97
H-CRHH-294824	1730	29	48	24	23.0	111
H-CRHH-295424	1911	29	54	24	18.0	117
H-CRHH-296024	1989	29	60	24	29.0	139
H-CRHH-296624	2159	29	66	24	29.0	145
H-CRHH-297224	2236	29	72	24	35.0	167
H-CRHH-297824	2309	29	78	24	35.0	175
H-CRHH-298424	2382	29	84	24	41.0	195



High Credenza w/ Lateral & Doors



High Credenza w/Doors & Lateral

What's Included:

- High Credenza

How to Specify:

Legs to be specified separately

Notes:

Options:

Widths: 48", 54", 60", 66", 72", 78", 84"

Depths: 19", 24"

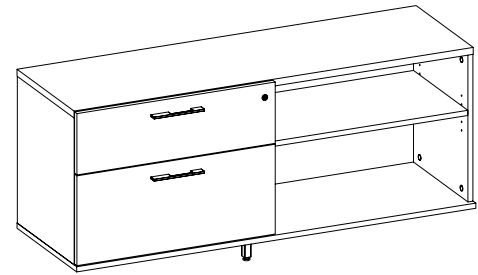
Height: 29"

Laminate

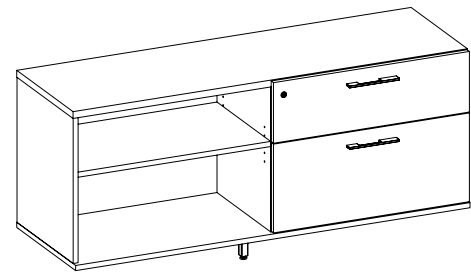
Paint Finish

Electrics

Code	Price	H	W	D	Volume	Weight
Hinged Door & Lateral						
H-CRHL-294819	1642	29	48	19	18.0	76
H-CRHL-295419	1781	29	54	19	18.0	81
H-CRHL-296019	1837	29	60	19	23.0	94
H-CRHL-296619	1882	29	66	18	23.0	100
H-CRHL-297219	1926	29	72	19	28.0	113
H-CRHL-297819	2083	29	78	19	28.0	120
H-CRHL-298419	2150	29	84	19	32.0	132
H-CRHL-294824	1739	29	48	24	23.0	95
H-CRHL-295424	1875	29	54	24	23.0	101
H-CRHL-296024	1946	29	60	24	29.0	119
H-CRHL-296624	1998	29	66	24	29.0	125
H-CRHL-297224	2042	29	72	24	35.0	143
H-CRHL-297824	2216	29	78	24	35.0	150
H-CRHL-298424	2292	29	84	24	41.0	167
Lateral & Hinged Door						
H-CRLH-294819	1642	29	48	19	18.0	76
H-CRLH-295419	1781	29	54	19	18.0	81
H-CRLH-296019	1837	29	60	19	23.0	94
H-CRLH-296619	1882	29	66	19	23.0	100
H-CRLH-297219	1926	29	72	19	28.0	113
H-CRLH-297819	2083	29	78	19	28.0	120
H-CRLH-298419	2150	29	84	19	32.0	132
H-CRLH-294824	1739	29	48	24	23.0	95
H-CRLH-295424	1875	29	54	24	23.0	101
H-CRLH-296024	1946	29	60	24	29.0	119
H-CRLH-296624	1998	29	66	24	29.0	125
H-CRLH-297224	2042	29	72	24	35.0	143
H-CRLH-297824	2216	29	78	24	35.0	150
H-CRLH-298424	2292	29	84	24	41.0	167



High Credenza w/ Lateral & Open



High Credenza w/ Open & Lateral

What's Included:

- High Credenza

How to Specify:

Legs to be specified separately

Notes:

Options:

Widths: 48", 60", 72", 84"

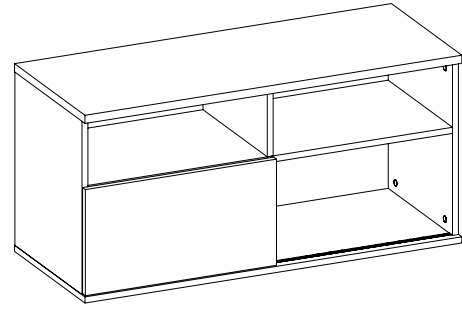
Depths: 19", 24"

Laminate

Paint Finish

Electrics

Code	Price	H	W	D	Volume	Weight
Lateral & Open						
H-CRLO-294819	1701	29	48	19	18.0	88
H-CRLO-296019	1910	29	60	19	23.0	110
H-CRLO-297219	2016	29	72	19	28.0	132
H-CRLO-298419	2132	29	84	19	32.0	154
H-CRLO-294824	1797	29	48	24	23.0	111
H-CRLO-296024	2028	29	60	24	29.0	139
H-CRLO-297224	2150	29	72	24	35.0	167
H-CRLO-298424	2280	29	84	24	41.0	195
Open & Lateral						
H-CROL-294819	1701	29	48	19	18.0	88
H-CROL-296019	1910	29	60	19	23.0	110
H-CROL-297219	2016	29	72	19	28.0	132
H-CROL-298419	2132	29	84	19	32.0	154
H-CROL-294824	1797	29	48	24	23.0	111
H-CROL-296024	2028	29	60	24	29.0	139
H-CROL-297224	2150	29	72	24	35.0	167
H-CROL-298424	2280	29	84	24	41.0	195



High Credenza w/ Shelf above Sliding Door

What's Included:

- High Credenza

How to Specify:

Legs to be specified separately

Notes:

Options:

Widths: 48", 54", 60", 66", 72", 78", 84"

Depths: 19", 24"

Height: 29"

Laminate

Paint Finish

Electrics

Code	Price	H	W	D	Volume	Weight
H-CRFS-294819	1529	29	48	19	18.4	75.57
H-CRFS-294824	1630	29	48	24	23.2	95.45
H-CRFS-295419	1677	29	54	19	18.4	83
H-CRFS-295424	1792	29	54	24	23.2	86
H-CRFS-296019	1744	29	60	19	23.0	94.46
H-CRFS-296024	1858	29	60	24	29.0	119.31
H-CRFS-296619	1806	29	66	19	23.0	100
H-CRFS-296624	1935	29	66	24	29.0	125
H-CRFS-297219	1868	29	72	19	27.6	113.35
H-CRFS-297224	2008	29	72	24	34.8	143.18
H-CRFS-297819	1935	29	78	19	27.6	120
H-CRFS-297824	2074	29	78	24	34.8	150
H-CRFS-298419	1995	29	84	19	32.1	132.24
H-CRFS-298424	2150	29	84	24	40.6	167.04



High Credenza w/ Open Shelf above Lateral

What's Included:

- High Credenza

How to Specify:

Legs to be specified separately

Notes:

Options:

Widths: 48", 54", 60", 66", 72", 78", 84"

Depths: 19", 24"

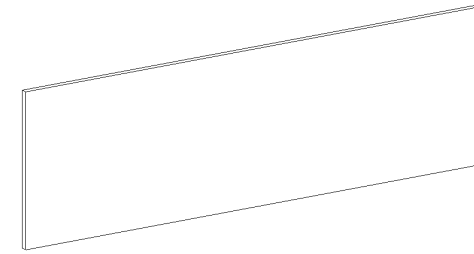
Height: 29"

Laminate

Paint Finish

Electrics

Code	Price	H	W	D	Volume	Weight
H-CRFL-294819	1767	29	48	19	18.4	88.16
H-CRFL-294824	1872	29	48	24	23.2	111.36
H-CRFL-296019	1997	29	60	19	23.0	110.2
H-CRFL-296024	2098	29	60	24	29.0	139.2
H-CRFL-297219	2154	29	72	19	27.6	132.24
H-CRFL-297224	2281	29	72	24	34.8	167.04
H-CRFL-298419	2327	29	84	19	32.1	154.28
H-CRFL-298424	2463	29	84	24	40.6	194.88



Raised Back for Credenza

What's Included:

- Laminate raised credenza panel

How to Specify:

Notes:

Options:

Widths: 48", 54", 60", 66", 72", 78", 84"

Depths: 0.75"

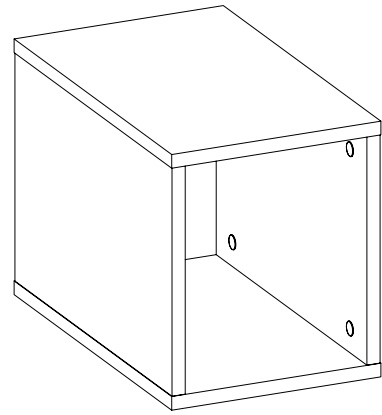
Height: 18"

Laminate

Paint Finish

Electrics?

Code	Price	H	W	D	Volume	Weight
H-CRB0-1848	310	18	48	1	4.0	4
H-CRB0-1854	333	18	54	1	1.0	4
H-CRB0-1860	357	18	60	1	1.0	5
H-CRB0-1866	385	18	66	1	1.1	5.28
H-CRB0-1872	438	18	72	1	1.2	5.76
H-CRB0-1878	477	18	78	1	1.3	6.24
H-CRB0-1884	523	18	84	1	1.4	6.72



Credenza Open End Box

What's Included:

- Credenza End Box

How to Specify:

- Used beside the Integrated Height Adjustable Table Box to make up the full width
- Legs to be specified separately

Notes:

Options:

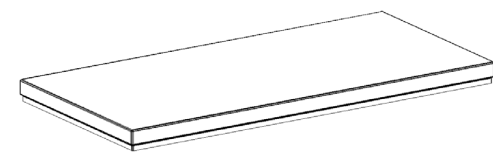
Widths: 9", 12"
 Depths: 16", 19"
 Height: 20"

Laminate

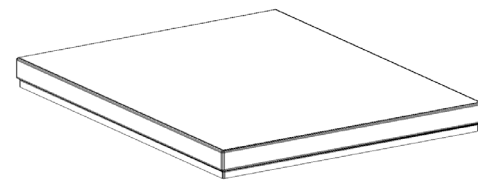
Paint Finish

Electrics?

Code	Price	H	W	D	Volume	Weight
H-CREB-200916	385	20	9	16	2.0	12
H-CREB-201216	428	20	12	16	2.0	14
H-CREB-200919	398	20	9	19	2.0	14
H-CREB-201219	444	20	12	19	3.0	18



Credenza Cushion



Pedestal Cushion

What's Included:

- upholstered cushion

How to Specify:

- Used beside the Integrated Height Adjustable Table Box to make up the full width
- Legs to be specified separately

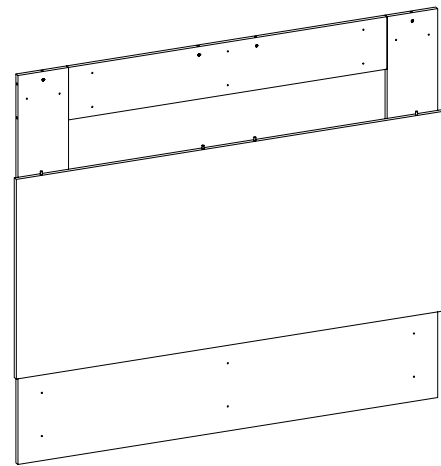
Notes:

Credenza cushions leave 1.5" gap on all 4 sides of the credenza top

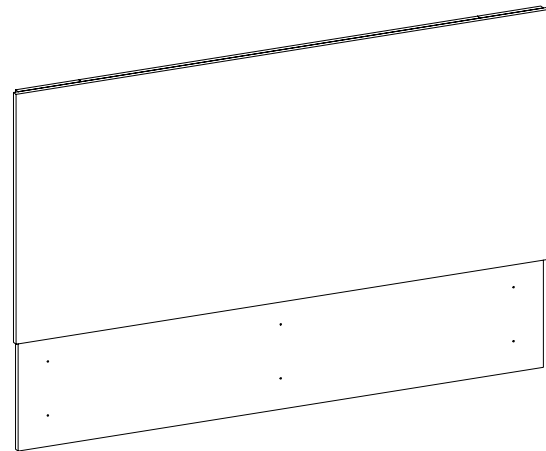
Options:

Widths:	21", 27", 33", 39", 45", 51", 57", 63", 69", 75", 81"
Depths:	13, 16"
Height:	2"
Cushion Fabric	

Code	Price	H	W	D	Volume	Weight
Credenza cushion						
H-AC-2113	298	2	21	13	0.2	3
H-AC-2713	335	2	27	13	0.2	4
H-AC-3313	374	2	33	13	0.3	4
H-AC-3913	423	2	39	13	0.3	5
H-AC-4513	461	2	45	13	0.4	6
H-AC-5113	505	2	51	13	0.4	7
H-AC-5713	546	2	57	13	0.5	7
H-AC-6313	589	2	63	13	1.0	8
H-AC-6913	631	2	69	13	1.0	9
H-AC-7513	674	2	75	13	1.0	10
H-AC-8113	714	2	81	13	1.0	11
H-AC-2116	311	2	21	16	0.2	3
H-AC-2716	353	2	27	16	0.3	4
H-AC-3316	396	2	33	16	0.4	5
H-AC-3916	445	2	39	16	0.4	6
H-AC-4516	487	2	45	16	0.5	7
H-AC-5116	533	2	51	16	1.0	8
H-AC-5716	575	2	57	16	1.0	9
H-AC-6316	624	2	63	16	1.0	10
H-AC-6916	665	2	69	16	1.0	11
H-AC-7516	708	2	75	16	1.0	12
H-AC-8116	754	2	81	16	1.0	13
Pedestal Cushion						
H-FPAC-16	295	1.25	16	19	0.7	2



Gallery Wall for Accent Shelves



No Overheads

What's Included:

- Gallery wall backer,
- Gallery wall Front

How to Specify:

Notes:

Options:

Widths: 48", 60", 66", 72", 84", 96"

Depths: 0.75"

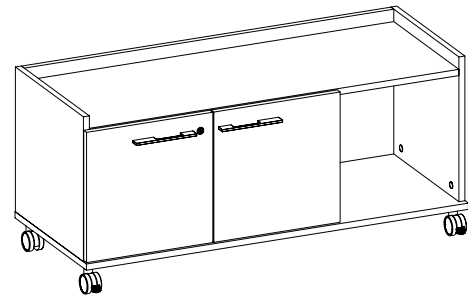
Height: 33", 49"

Laminate

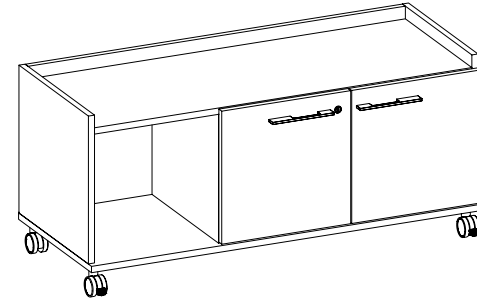
Paint Finish

Electrics

Code	Price	H	W	D	Volume	Weight
For Accent Shelves						
H-CGWA-4948	1022	49	48	1	0.4	12
H-CGWA-4960	1093	49	60	1	1.0	15
H-CGWA-4972	1185	49	72	1	1.0	18
H-CGWA-4984	1291	49	84	1	1.0	21
H-CGWA-4996	1328	49	96	1	1.0	21
No Overheads						
H-CGWN-3348	988	33	48	1	0.3	8
H-CGWN-3354	1022	33	48	1	0.3	9
H-CGWN-3360	1059	33	60	1	0.4	10
H-CGWN-3366	1093	33	66	1	0.4	10
H-CGWN-3372	1156	33	72	1	0.5	12
H-CGWN-3378	1191	33	78	1	0.5	13
H-CGWN-3384	1226	33	84	1	1.0	14
H-CGWN-3390	1256	33	90	1	1.0	15
H-CGWN-3396	1291	33	96	1	1.0	17



Mobile Credenza w/ Hinged Door/Open



Mobile Credenza w/Open/Hinged Door

What's Included:

- Mobile Credenza

How to Specify:

Notes:

Options:

Widths: 30", 36", 42", 48"

Depths: 19"

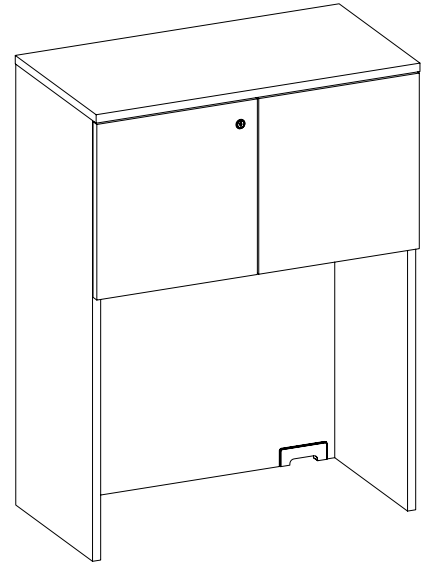
Height: 20"

Laminate

Paint Finish

Electrics?

Code	Price	H	W	D	Volume	Weight
Hinged Door/Open						
H-CMHO-203019	952	20	30	19	17.0	60
H-CMHO-203619	983	20	36	19	17.0	72
H-CMHO-204219	1003	20	42	19	17.0	84
H-CMHO-204819	1029	20	48	19	17.0	96
Open/Hinged Door						
H-CMOH-203019	952	20	30	19	17.0	60
H-CMOH-203619	983	20	36	19	17.0	72
H-CMOH-204219	1003	20	42	19	17.0	84
H-CMOH-204819	1029	20	48	19	17.0	96



Laminate w/ hinged Door

What's Included:

- Laminate Gable Hutch

How to Specify:

To Match the width of the desk or credenza it is mounted on

Notes:

Item ships assembled

Options:

Widths: 30", 36", 42", 48", 54", 60", 66", 72", 78" 84"

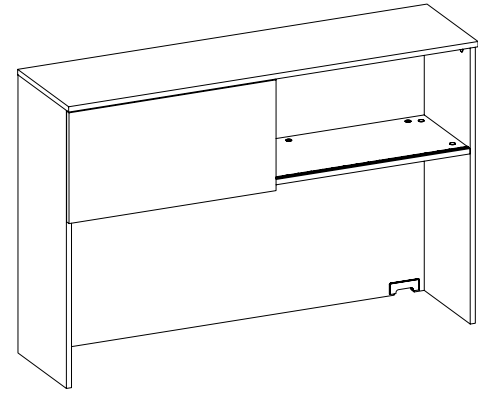
Depths: 16 "

Laminate

Paint Finish

Electrics

Code	Price	H	W	D	Volume	Weight
H-SHH0-403016	1037	40	30	16	10.0	56
H-SHH0-403616	1092	40	36	16	12.0	67
H-SHH0-404216	1251	40	42	16	14.0	78
H-SHH0-404816	1354	40	48	16	16.0	90
H-SHH0-405416	1470	40	54	16	18.0	101
H-SHH0-406016	1564	40	60	16	19.0	112
H-SHH0-406616	1662	40	66	16	21.0	123
H-SHH0-407216	1745	40	72	16	23.0	134
H-SHH0-407816	1834	40	78	16	25.0	146
H-SHH0-408416	1901	40	84	16	27.0	157
H-SHH0-496016	1657	49	60	16	24.0	137
H-SHH0-496616	1762	49	66	16	26.0	151
H-SHH0-497216	1850	49	72	16	29.0	165
H-SHH0-497816	1944	49	78	16	31.0	178
H-SHH0-498416	2015	49	84	16	33.0	192



Laminate w/ sliding Door

What's Included:

- Laminate Gable Hutch

How to Specify:

To Match the width of the desk or credenza it is mounted on

Notes:

Item ships assembled

Options:

Widths: 30", 36", 42", 48", 54", 60", 66", 72", 78" 84"

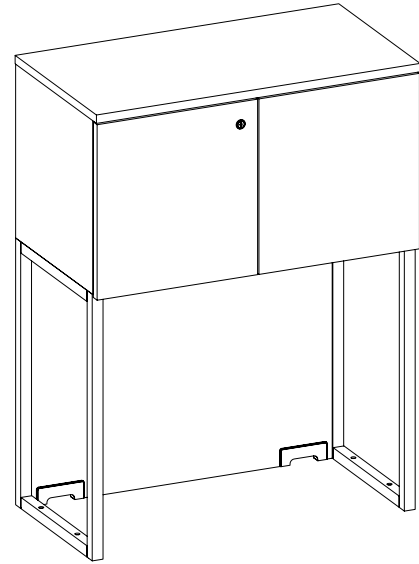
Depths: 16 "

Laminate

Paint Finish

Electrics

Code	Price	H	W	D	Volume	Weight
H-SHS0-403016	1163	40	30	16	10.0	56
H-SHS0-403616	1226	40	36	16	12.0	67
H-SHS0-404216	1356	40	42	16	14.0	78
H-SHS0-404816	1412	40	48	16	16.0	90
H-SHS0-405416	1473	40	54	16	18.0	101
H-SHS0-406016	1531	40	60	16	19.0	112
H-SHS0-406616	1594	40	66	16	21.0	123
H-SHS0-407216	1651	40	72	16	23.0	134
H-SHS0-407816	1716	40	78	16	25.0	146
H-SHS0-408416	1771	40	84	16	27.0	157
H-SHS0-496016	1611	49	60	16	24.0	137
H-SHS0-496616	1672	49	66	16	26.0	151
H-SHS0-497216	1736	49	72	16	29.0	165
H-SHS0-497816	1807	49	78	16	31.0	178
H-SHS0-498416	1872	49	84	16	33.0	192



Metal w/ hinged Door

What's Included:

- Metal Gable Hutch

How to Specify:

To Match the width of the desk or credenza it is mounted on

Notes:

Item ships assembled

Options:

Widths: 30", 36", 42", 48", 54", 60", 66", 72", 78" 84"

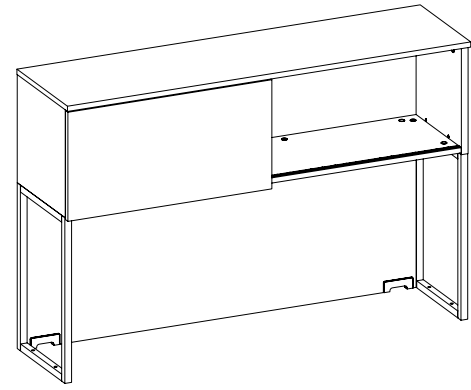
Depths: 16 "

Laminate

Paint Finish

Electrics

Code	Price	H	W	D	Volume	Weight
H-SHHM-403016	1550	40	30	16	10.0	56
H-SHHM-403616	1597	40	36	16	12.0	67
H-SHHM-404216	1816	40	42	16	14.0	78
H-SHHM-404816	1872	40	48	16	16.0	90
H-SHHM-405416	1922	40	54	16	18.0	101
H-SHHM-406016	1978	40	60	16	19.0	112
H-SHHM-406616	2194	40	66	16	19.0	123
H-SHHM-407216	2242	40	72	16	23.0	134
H-SHHM-407816	2299	40	75	16	25.0	146
H-SHHM-408416	2348	40	84	16	27.0	157
H-SHHM-496016	2063	49	60	16	24.0	137
H-SHHM-496616	2284	49	66	16	26.0	151
H-SHHM-497216	2344	49	72	16	29.0	165
H-SHHM-497816	2399	49	78	16	31.0	178
H-SHHM-498416	2453	49	84	16	33.0	192



Metal w/ sliding Door

What's Included:

- Metal Gable Hutch

How to Specify:

To Match the width of the desk or credenza it is mounted on

Notes:

Item ships assembled

Options:

Widths: 30", 36", 42", 48", 54", 60", 66", 72", 78" 84"

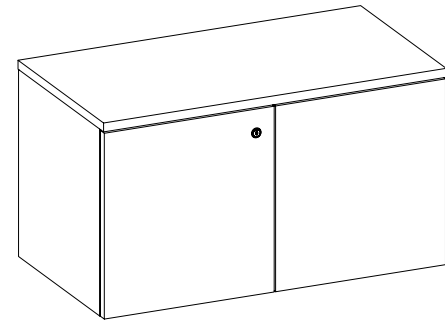
Depths: 16 "

Laminate

Paint Finish

Electrics

Code	Price	H	W	D	Volume	Weight
H-SHSM-403016	1741	40	30	16	10.0	56
H-SHSM-403616	1805	40	36	16	12.0	67
H-SHSM-404216	1860	40	42	16	14.0	78
H-SHSM-404816	1924	40	48	16	16.0	90
H-SHSM-405416	1980	40	54	16	18.0	101
H-SHSM-406016	2044	40	60	16	19.0	112
H-SHSM-406616	2101	40	66	16	21.0	123
H-SHSM-407216	2165	40	72	16	23.0	134
H-SHSM-407816	2220	40	78	16	25.0	146
H-SHSM-408416	2284	40	84	16	27.0	157
H-SHSM-496016	2128	49	60	16	24.0	137
H-SHSM-496616	2193	49	66	16	26.0	151
H-SHSM-497216	2257	49	72	16	29.0	165
H-SHSM-497816	2319	49	78	16	31.0	178
H-SHSM-498416	2389	49	84	16	33.0	192



Wall mounted w/ hinged Door

What's Included:

- Wall mounted hinged door hutch

How to Specify:

To Match the width of the desk or credenza it is mounted on

Notes:

Item ships assembled

Options:

Widths: 30", 36", 42", 48", 54", 60", 66", 72", 78" 84"

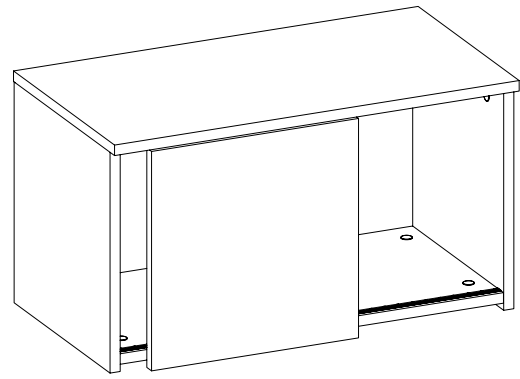
Depths: 16 "

Laminate

Paint Finish

Electrics

Code	Price	H	W	D	Volume	Weight
H-SWH0-153016	793	15	30	16	10.0	56
H-SWH0-153616	836	15	36	16	12.0	67
H-SWH0-154216	931	15	42	16	14.0	78
H-SWH0-154816	974	15	48	16	16.0	90
H-SWH0-155416	1014	15	54	16	18.0	101
H-SWH0-156016	1112	15	60	16	19.0	112
H-SWH0-156616	1154	15	66	16	21.0	123
H-SWH0-157216	1198	15	72	16	23.0	134
H-SWH0-157816	1242	15	78	16	25.0	146
H-SWH0-158416	1285	15	84	16	27.0	157



Wall mounted w/ sliding Door

What's Included:

- Wall mounted sliding door hutch

How to Specify:

To Match the width of the desk or credenza it is mounted on

Notes:

Item ships assembled

Options:

Widths: 30", 36", 42", 48", 54", 60", 66", 72", 78" 84"

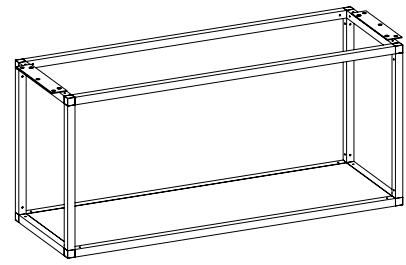
Depths: 16 "

Laminate

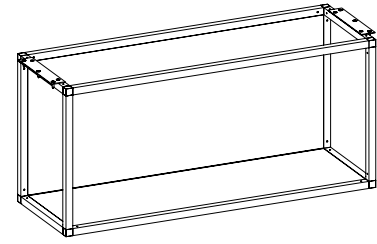
Paint Finish

Electrics

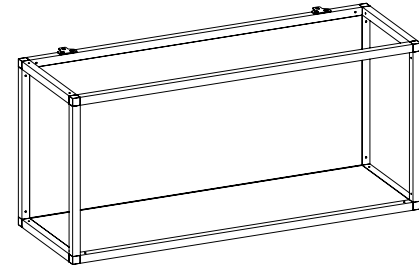
Code	Price	H	W	D	Volume	Weight
H-SWS0-153016	957	15	30	16	10.0	56
H-SWS0-153616	1005	15	36	16	12.0	67
H-SWS0-154216	1054	15	42	16	14.0	78
H-SWS0-154816	1100	15	42	16	16.0	90
H-SWS0-155416	1143	15	54	16	18.0	101
H-SWS0-156016	1190	15	60	16	19.0	112
H-SWS0-156616	1236	15	66	16	21.0	123
H-SWS0-157216	1285	15	72	16	23.0	134
H-SWS0-157816	1332	15	78	16	25.0	146
H-SWS0-158416	1373	15	84	16	27.0	157



Side Mount/ No Back



Side Mount w/ Back



Gallery Wall Mount w/Back

What's Included:

- Accent Shelf

How to Specify:

Side mount accent shelf needs storage supporting the shelf on LH and RH

Notes:

Gallery wall mounted accent shelf cannot be mounted to a drywall

Options:

Widths: 30", 36", 42", 48"

Depths: 12"

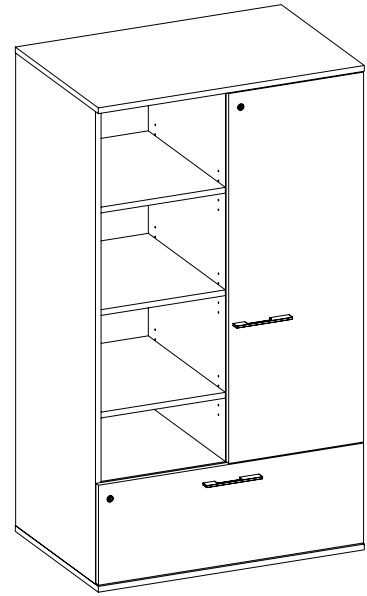
Height: 16.5"

Laminate

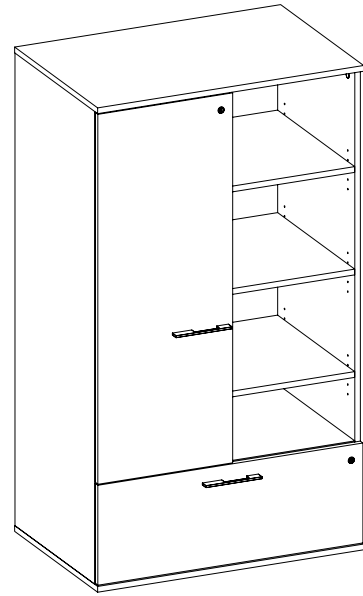
Paint Finish

Electrics

Code	Price	H	W	D	Volume	Weight
Side Mount/ No Back						
H-ASSM-163012	2180	17	30	12	9.0	50
H-ASSM-163612	2227	17	36	12	11.0	60
H-ASSM-164212	2299	17	42	12	12.0	71
H-ASSM-164812	2375	16	48	12	14.0	81
Side Mount w/ Back						
H-ASSM-163012-B	2296	17	30	12	9.0	50
H-ASSM-163612-B	2344	17	36	12	11.0	60
H-ASSM-164212-B	2414	17	42	12	12.0	71
H-ASSM-164812-B	2491	17	48	12	14.0	81
Gallery Wall Mount w/Back						
H-ASWM-163012	2296	17	30	12	9.0	50
H-ASWM-163612	2344	15	36	12	11.0	60
H-ASWM-164212	2414	17	42	12	12.0	71
H-ASWM-164812	2491	16	48	12	14.0	81



Combo Cabinet - Right w/Open Shelf/File Drawer



Combo Cabinet - Left w/Open Shelf/File Drawer

What's Included:

- Combo Closet

How to Specify:

Legs to be specified separately

Notes:

Options:

Widths: 24", 30", 36"

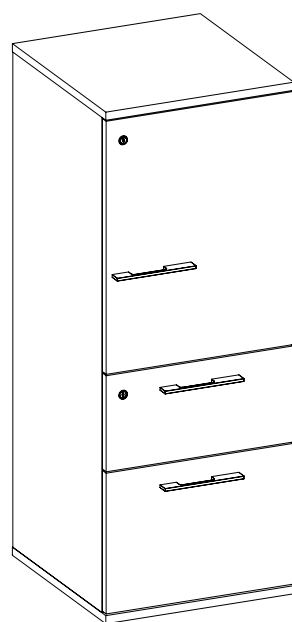
Depths: 19", 24"

Laminate

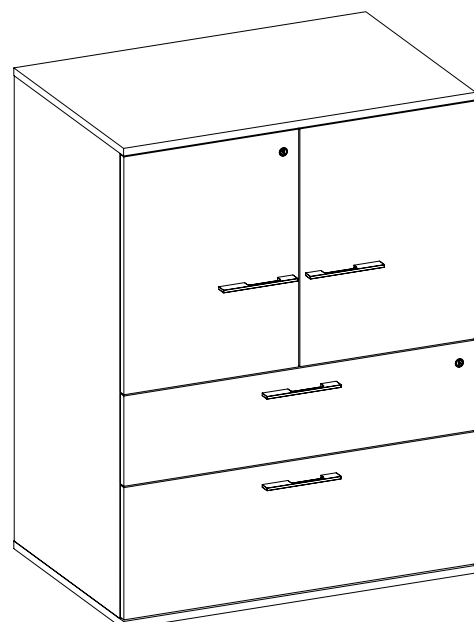
Paint Finish

Electrics

Code	Price	H	W	D	Volume	Weight
H-FCCF-532419-L	1515	53	24	19	13.0	102
H-FCCF-533019-L	1658	53	30	19	13.0	102
H-FCCF-533619-L	1749	53	36	19	13.0	102
H-FCCF-532419-R	1515	53	24	19	13.0	102
H-FCCF-533019-R	1658	53	30	19	13.0	102
H-FCCF-533619-R	1749	53	36	19	13.0	102
H-FCCF-532424-L	1537	53	24	24	15.0	122
H-FCCF-533024-L	1757	53	30	24	15.0	122
H-FCCF-533624-L	1856	53	36	24	15.0	122
H-FCCF-532424-R	1537	53	24	24	15.0	122
H-FCCF-533024-R	1757	53	30	24	15.0	122
H-FCCF-533624-R	1856	53	36	24	15.0	122
H-FCCF-692419-L	1612	69	24	19	17.0	132
H-FCCF-693019-L	1812	69	30	19	17.0	132
H-FCCF-693619-L	1921	69	36	19	17.0	132
H-FCCF-692419-R	1612	69	24	19	17.0	132
H-FCCF-693019-R	1812	69	30	19	17.0	132
H-FCCF-693619-R	1921	69	36	19	17.0	132
H-FCCF-692424-L	1689	69	24	24	20.0	159
H-FCCF-693024-L	1935	69	30	24	20.0	159
H-FCCF-693624-L	2048	69	36	24	20.0	159
H-FCCF-692424-R	1689	69	24	24	20.0	159
H-FCCF-693024-R	1935	69	30	24	20.0	159
H-FCCF-693624-R	2048	69	36	24	20.0	159



Combo Cabinet w/ single door



Combo Cabinet w/ double door

What's Included:

- Combo Cabinet

How to Specify:

Legs to be specified separately

Notes:

Options:

Widths: 18", 24", 30", 36", 42"

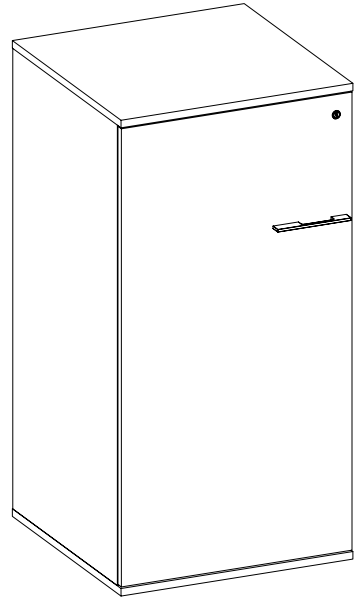
Depths: 19", 24"

Laminate

Paint Finish

Electrics

Code	Price	H	W	D	Volume	Weight
Single door						
H-FCSL-531819-L	1555	53	18	19	13.0	95
H-FCSL-531819-R	1555	53	18	19	13.0	95
H-FCSL-531824-L	1637	53	18	24	13.0	99
H-FCSL-531824-R	1637	53	18	24	13.0	99
H-FCSL-691819-L	1759	69	18	19	17.0	122
H-FCSL-691819-R	1759	69	18	19	17.0	122
H-FCSL-691824-L	1817	69	18	24	17.0	130
H-FCSL-691824-R	1817	69	18	24	17.0	130
Double Door						
H-FCSL-532419	1942	53	24	19	13.0	102
H-FCSL-533019	2063	53	30	19	16.0	127
H-FCSL-533619	2190	53	36	19	19.0	153
H-FCSL-534219	2309	53	36	24	22.0	178
H-FCSL-532424	2031	53	24	19	15.0	122
H-FCSL-533024	2165	53	30	24	19.0	153
H-FCSL-533624	2299	53	36	24	23.0	183
H-FCSL-534224	2420	53	42	24	27.0	214
H-FCSL-692419	2131	69	24	19	17.0	132
H-FCSL-693019	2271	69	30	19	21.0	166
H-FCSL-693619	2363	69	36	19	25.0	199
H-FCSL-694219	2483	69	42	19	29.0	232
H-FCSL-692424	2249	69	24	24	20.0	159
H-FCSL-693024	2405	69	30	24	25.0	199
H-FCSL-693624	2561	69	36	24	30.0	238
H-FCSL-694224	2681	69	42	19	35.0	278



Locker Tower with Shelves

What's Included:

- Locker Tower with Shelves

How to Specify:

Legs to be specified separately

Notes:

Options:

Widths: 12", 18", 24"

Depths: 16", 19", 24", 30"

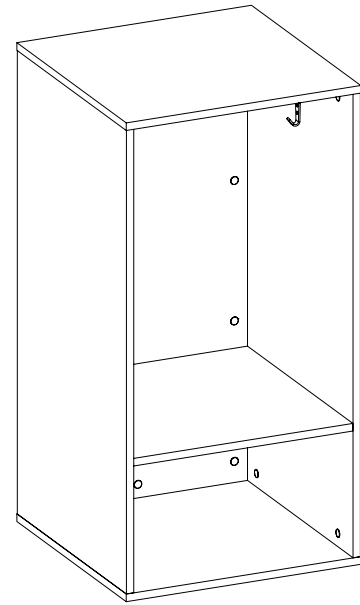
Laminate

Paint Finish

Electrics

Code	Price	H	W	D	Vol.	Wt.
H-FCKT-531216-L	1191	53	12	16	5.0	34
H-FCKT-531816-L	1312	53	18	16	7.0	51
H-FCKT-532416-L	1444	53	24	16	11.0	68
H-FCKT-531216-R	1191	53	12	16	5.0	34
H-FCKT-531816-R	1312	53	18	16	7.0	51
H-FCKT-532416-R	1444	53	24	16	11.0	68
H-FCKT-531219-L	1244	53	12	19	6.0	40
H-FCKT-531819-L	1397	53	18	19	8.0	60
H-FCKT-532419-L	1537	53	24	19	10.0	81
H-FCKT-531219-R	1244	53	12	19	6.0	40
H-FCKT-531819-R	1397	53	18	19	8.0	60
H-FCKT-532419-R	1537	53	24	19	10.0	81
H-FCKT-531224-L	1345	53	12	24	7.0	51
H-FCKT-531824-L	1496	53	18	24	9.0	76
H-FCKT-532424-L	1651	53	24	24	11.0	102
H-FCKT-531224-R	1345	53	12	24	7.0	51
H-FCKT-531824-R	1496	53	18	24	9.0	76
H-FCKT-532424-R	1651	53	24	24	11.0	102
H-FCKT-531230-L	1449	53	12	30	8.0	64
H-FCKT-531830-L	1600	53	18	30	10.0	95
H-FCKT-532430-L	1768	53	24	30	12.0	127
H-FCKT-531230-R	1449	53	12	30	8.0	64
H-FCKT-531830-R	1600	53	18	30	10.0	95

Code	Price	H	W	D	Vol.	Wt.
H-FCKT-532430-R	1768	53	24	30	12.0	127
H-FCKT-691216-L	1348	69	12	16	13.0	44
H-FCKT-691816-L	1500	69	18	16	9.0	66
H-FCKT-692416-L	1657	69	24	16	12.0	88
H-FCKT-691216-R	1348	69	12	16	13.0	44
H-FCKT-691816-R	1500	69	18	16	9.0	66
H-FCKT-692416-R	1657	69	24	16	12.0	88
H-FCKT-691219-L	1442	69	12	19	6.0	52
H-FCKT-691819-L	1593	69	18	19	9.0	79
H-FCKT-692419-L	1764	69	24	19	13.0	105
H-FCKT-691219-R	1442	69	12	19	6.0	52
H-FCKT-691819-R	1593	69	18	19	9.0	79
H-FCKT-692419-R	1764	69	24	19	13.0	105
H-FCKT-691224-L	1592	69	12	24	7.0	66
H-FCKT-691824-L	1715	69	18	24	10.0	99
H-FCKT-692424-L	1900	69	24	24	14.0	132
H-FCKT-691224-R	1592	69	12	24	7.0	66
H-FCKT-691824-R	1715	69	18	24	10.0	99
H-FCKT-692424-R	1900	69	24	24	14.0	132
H-FCKT-691230-L	1682	69	12	30	8.0	83
H-FCKT-691830-L	1834	69	18	30	11.0	124
H-FCKT-692430-L	2033	69	24	30	15.0	166
H-FCKT-691230-R	1682	69	12	30	8.0	83



Side Access Locker w/ Open Shelf/Open Bottom

What's Included:

- Side Access Locker with a shelf and coat hooks

How to Specify:

Legs to be specified separately

Notes:

Options:

Widths: 12", 18", 24"

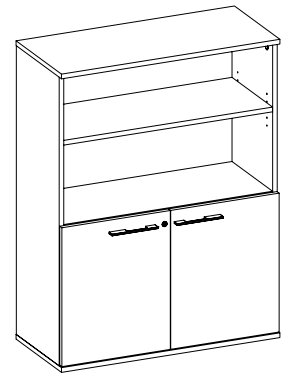
Depths: 16", 19", 24"

Laminate

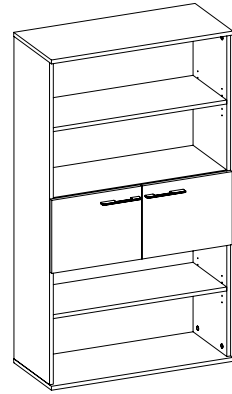
Paint Finish

Electrics

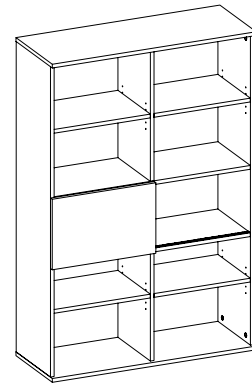
Code	Price	H	W	D	Volume	Weight
H-FCCO-531816	824	53	18	16	7.0	44
H-FCCO-532416	881	53	16	24	10.0	58
H-FCCO-531819	929	53	18	19	8.0	52
H-FCCO-532419	939	53	24	19	11.0	69
H-FCCO-531824	935	53	18	24	9.0	65
H-FCCO-532424	1000	53	24	24	12.0	87
H-FCCO-691816	901	69	18	16	9.0	57
H-FCCO-692416	965	69	24	16	12.0	76
H-FCCO-691819	949	69	18	19	10.0	67
H-FCCO-692419	1018	69	19	24	13.0	90
H-FCCO-691824	1035	69	18	24	11.0	85
H-FCCO-692424	1114	69	24	24	14.0	114



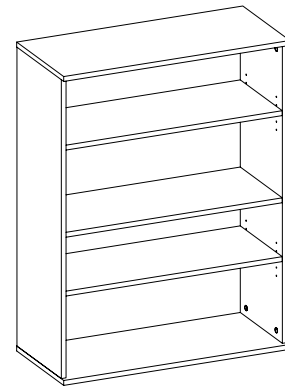
Bottom hinged



Middle hinged



Sliding Door



Open

What's Included:

- Bookcase

How to Specify:

Legs to be specified separately

Notes:

Options:

Widths: 24", 30", 36", 42", 48", 54", 60"

Depths: 16"

Height: 53", 69"

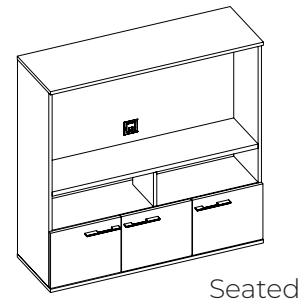
Laminate

Paint Finish

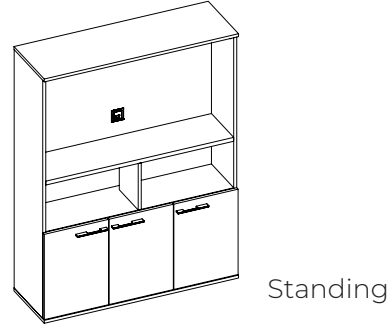
Electrics

Code	Price	H	W	D	Vol.	Wt.
Bottom Hinged						
H-BCBH-532416	1395	53	24	16	7.0	42
H-BCBH-533016	1489	53	30	16	9.0	50
H-BCBH-533616	1578	53	36	16	10.0	59
H-BCBH-534216	1910	53	42	16	12.0	67
H-BCBH-534816	1998	53	48	16	13.0	76
H-BCBH-535416	2161	53	54	16	15.0	84
H-BCBH-536016	2260	53	60	16	16.0	92
H-BCBH-692416	1573	69	24	16	10.0	56
H-BCBH-693016	1685	69	30	16	12.0	67
H-BCBH-693616	1787	69	36	16	14.0	78
H-BCBH-694216	2163	69	42	16	16.0	90
H-BCBH-694816	2274	69	48	16	18.0	101
H-BCBH-695416	2483	69	54	16	19.0	112
H-BCBH-696016	2587	69	60	16	21.0	123
Middle Hinged						
H-BCMh-693016	1640	69	30	16	12.0	67
H-BCMh-693616	1744	69	36	16	14.0	78
H-BCMh-694216	2113	69	42	16	16.0	90
H-BCMh-694816	2215	69	48	16	18.0	101
H-BCMh-695416	2395	69	54	16	19.0	112
H-BCMh-696016	2498	69	54	16	21.0	123
Sliding Door						
H-BCMS-693016	1838	69	30	16	12.0	67
H-BCMS-693616	2062	69	36	16	14.0	78
H-BCMS-694216	2171	69	42	16	16.0	90
H-BCMS-694816	2397	69	48	16	18.0	101
H-BCMS-695416	2580	69	54	16	19.0	112
H-BCMS-696016	2701	69	60	16	21.0	123

Code	Price	H	W	D	Vol.	Wt.
Open						
H-BCOO-532416	1053	53	24	16	7.0	42
H-BCOO-533016	1164	53	30	16	9.0	50
H-BCOO-533616	1272	53	36	16	10.0	59
H-BCOO-534216	1426	53	42	16	12.0	67
H-BCOO-534816	1508	53	48	16	13.0	76
H-BCOO-535416	1664	53	54	16	15.0	84
H-BCOO-536016	1738	53	60	16	16.0	92
H-BCOO-692416	1232	69	24	16	10.0	56
H-BCOO-693016	1366	69	30	16	12.0	67
H-BCOO-693616	1501	69	36	16	14.0	78
H-BCOO-694216	1689	69	42	16	16.0	90
H-BCOO-694816	1777	69	48	19	18.0	101
H-BCOO-695416	1978	69	54	16	19.0	112
H-BCOO-696016	2073	69	60	16	21.0	123
H-BCOO-532419	1158	53	24	19	8.0	47
H-BCOO-533019	1280	53	30	19	9.0	50
H-BCOO-533619	1401	53	36	19	12.0	66
H-BCOO-534219	1530	53	42	19	13.0	76
H-BCOO-534819	1620	53	48	19	15.0	85
H-BCOO-535419	1805	53	54	19	16.0	95
H-BCOO-536019	1887	53	60	19	18.0	104
H-BCOO-692419	1356	69	24	19	11.0	63
H-BCOO-693019	1504	69	30	19	13.0	76
H-BCOO-693619	1650	69	36	19	15.0	89
H-BCOO-694219	1812	69	42	16	18.0	101
H-BCOO-694819	1919	69	48	19	20.0	114
H-BCOO-695419	2125	69	54	19	22.0	127
H-BCOO-696019	2228	69	60	19	24.0	139



Seated



Standing

What's Included:

- AV Unit

How to Specify:

Legs to be specified separately

Notes:

- Seated 48"W unit accommodates up to 40" flat screen TV
- Seated 60"W unit accommodates up to 65" flat screen TV
- Standing 48"W unit accommodates up to 48" flat screen TV

Options:

Widths: 48", 60"

Depths: 16"

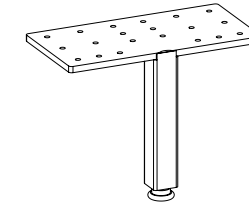
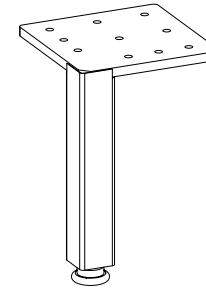
Height: 53", 69"

Laminate

Paint Finish

Electrics

Code	Price	H	W	D	Volume	Weight
Seated w/finished Back						
H-AVL0-534816	2262	53	48	16	16.0	142
H-AVL0-696016	2733	69	60	16	27.0	232
Seated /no finished back						
H-AVLN-534816	2001	53	48	16	21.0	142
H-AVLN-696016	2352	69	60	16	21.0	232
Standing w/finished back						
H-AVS0-694816	2483	69	48	16	16.0	185
Standing /no finished back						
H-AVSN-694816	2163	69	48	16	27.0	185



What's Included:

- 1 Storage support leg and hardware

How to Specify:

- Single or Shared
- Shared leg is used the front of two cabinet joints

Options:

Widths: 0

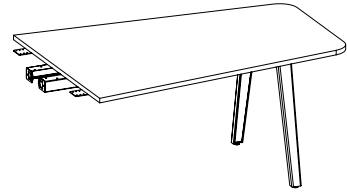
Depths: 0

Laminate

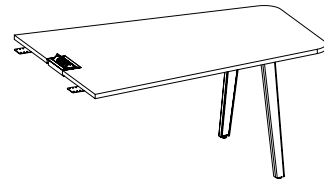
Paint Finish

Electrics

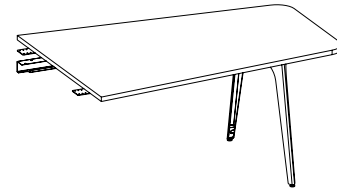
Code	Price	H	W	D	Volume	Weight
H-HCL-1	48	6	0	0	0.0	1
H-HCL-2	50	6	0	0	0.0	2



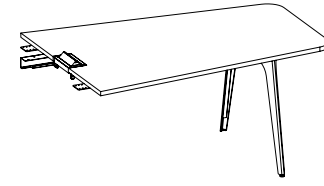
A-Leg No Grommet



A-Leg Grommet



V-Leg No Grommet



V-Leg Grommet

What's Included:

- Worksurface
- Legs
- Reinforcement Bars
- Optional Power

How to Specify:

6" smaller than the width of the AV Unit

Notes:

One of the A-Legs will come with an infill with a small hole to run wires out the bottom

Options:

Widths: 48", 60", 72", 84"

Depths: 42", 54",

Laminate

Paint Finish

Electrics

A-Leg

Code	Price	H	W	D	Vol.	Wt.
No Grommet						
H-TAAN-294842	1529	29	48	42	5.0	69
H-TAAN-294854	1680	29	48	54	5.0	88
H-TAAN-296042	1640	29	60	42	6.0	86
H-TAAN-296054	1805	29	60	54	6.0	111
H-TAAN-297254	1958	29	72	54	7.0	133
H-TAAN-298454	2112	29	84	54	8.0	155
H-TAAN-424842	1701	42	48	42	5.0	100
H-TAAN-426042	1812	42	60	42	6.0	125
w/ Grommet						
H-TAAH-294842	2621	29	48	42	5.0	69
H-TAAH-294854	2772	29	48	54	5.0	88
H-TAAH-296042	2732	29	60	42	6.0	86
H-TAAH-296054	2899	29	60	54	6.0	111
H-TAAH-297254	3051	29	72	54	7.0	133
H-TAAH-298454	3203	29	84	54	8.0	155
H-TAAH-424842	2795	42	48	42	5.0	100
H-TAAH-426042	2905	42	60	42	6.0	125

V-Leg

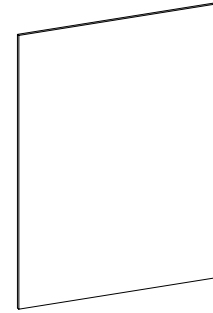
Code	Price	H	W	D	Vol.	Wt.
No Grommet						
H-TAVN-294842	1434	29	48	42	5.0	69
H-TAVN-294854	1492	29	48	54	5.0	88
H-TAVN-296042	1508	29	60	42	6.0	86
H-TAVN-296054	1585	29	60	54	6.0	111
H-TAVN-297254	1664	29	72	54	7.0	133
H-TAVN-298454	1787	29	84	54	8.0	155
H-TAVN-424842	1589	42	48	42	5.0	100
H-TAVN-426042	1664	42	60	42	6.0	125
w/ Grommet						
H-TAVH-294842	2525	29	48	42	5.0	69
H-TAVH-294854	2585	29	48	54	5.0	88
H-TAVH-296042	2599	29	60	42	6.0	86
H-TAVH-296054	2674	29	60	54	6.0	111
H-TAVH-297254	2756	29	72	54	7.0	133
H-TAVH-298454	2880	29	84	54	8.0	155
H-TAVH-424842	2681	42	48	42	5.0	100
H-TAVH-426042	2755	42	60	42	6.0	125



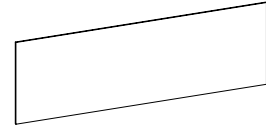
Halifax Pricebook
February 2024
Accessories

Accessories

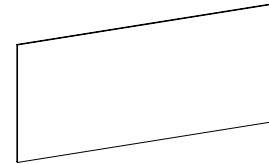
PET Acoustic board	176
Power	178
Purse Hook, Shelf, Metal Storage	179
Tasklight	180
Monitor Arm	181
Keyboard Tray	182



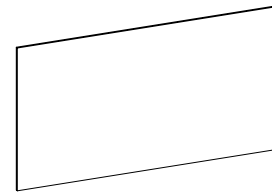
Gallery Wall Slim



Gallery Wall/ Hutch - High Credenza



Gallery Wall/ Hutch - Low Credenza



Locker Tower

What's Included:

- PET acoustic board

How to Specify:

Notes:

Options:

Widths: 9", 12", 18", 24", 26", 32", 38", 44", 50", 56", 62", 68", 74", 80", 86", 92"

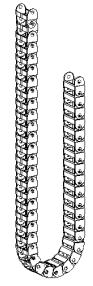
Depths: 0.5"

Laminate

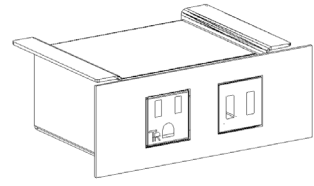
Paint Finish

Electrics

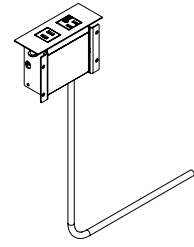
Code	Price	H	W	D	Volume	Weight
For Gallery Wall Slim						
H-PFG-3209	155	32	9	1	0.1	1
H-PFG-3212	176	32	12	1	0.1	2
H-PFG-3218	272	32	18	1	0.2	3
H-PFG-3224	286	32	24	0	0.2	4
For Gallery Wall / Hutch - High Credenza						
H-PFH-2226	300	22	26	1	0.2	3
H-PFH-2232	310	22	32	1	0.2	1
H-PFH-2238	401	22	38	1	0.3	4.18
H-PFH-2244	419	22	44	1	0.3	5
H-PFH-2250	594	22	50	1	0.3	6
H-PFH-2256	599	22	56	1	0.4	6
H-PFH-2262	605	22	62	1	0.4	7
H-PFH-2268	610	22	68	1	0.5	7
H-PFH-2274	713	22	74	1	0.5	8
H-PFH-2280	718	22	80	1	1.0	9
H-PFH-2286	726	22	86	1	1.0	9
H-PFH-2292	730	22	92	1	1.0	10
For Gallery Wall / Hutch - Low Credenza						
H-PFH-3126	302	31	26	1	0.2	4
H-PFH-3132	304	31	32	1	0.3	5
H-PFH-3138	407	31	38	1	0.4	6
H-PFH-3144	412	31	44	1	0.4	7
H-PFH-3150	594	31	50	1	0.5	8
H-PFH-3156	597	31	56	1	1.0	9
H-PFH-3162	601	31	62	1	1.0	10
H-PFH-3168	603	31	68	1	1.0	11
H-PFH-3174	713	31	74	1	1.0	11
H-PFH-3180	720	31	80	1	1.0	12
H-PFH-3186	726	31	86	1	1.0	13
H-PFH-3192	730	31	92	1	1.0	14
For Locker Tower						
H-PFL-4718	346	47	18	1	0.3	4
H-PFL-4724	350	47	24	1	0.3	5
H-PFL-6318	515	63	18	1	0.3	6
H-PFL-6324	597	63	24	1	0.3	7



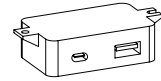
E-Chain Wire Manager



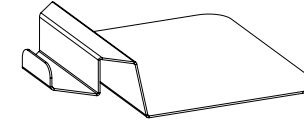
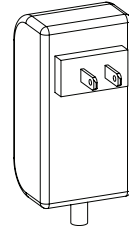
Grommet, Side Mounted, 1 Outlet + Dual USB Ports



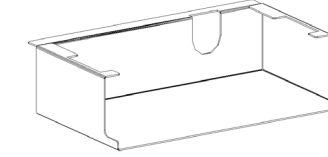
Side Mounted Module With Power And USB



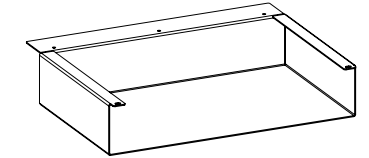
Side Mounted USB A & C, 1 Module, with AC Adapter



Purse Hook



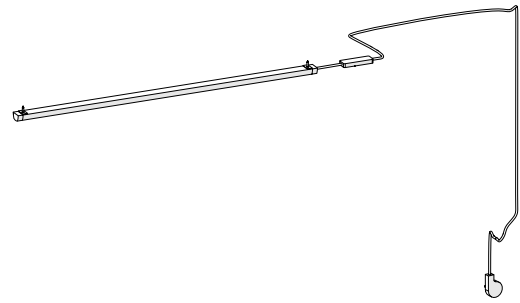
Under Mount Open Shelf



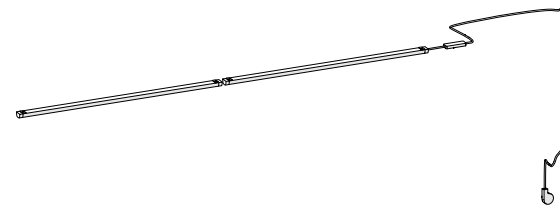
Metal Storage,- For Under Hutch

Code	Price	H	W	D	Volume	Weight
E-Chain Wire Manager						
V-EE-28	295	28	0	0	1.0	1.0
Grommet, Side Mounted, 1 Outlet + Dual USB Ports						
H-EGS-U	#N/A	28	0	0	0.1	1.0
USB adapter (1ea USB A & C ports with adapter)						
V-ESMU-A	179				2.0	2.0
Side Mounted USB, 4 Module, With Hub						
V-ESMU-K	995				2.0	2.0
Side Mounted Module With Power And USB						
V-ESMU-P	260				2.0	2.0
RJ11 Jack W/84" Cable						
H-RJ11	77				0.2	1.1
RJ45, Cat6 W/Cord 72", Black						
H-RJ45	205				0.2	1.2
HDMI Coupler, 18"Cord,F/F						
H-HDMI	197				0.2	1.1

Code	Price	H	W	D	Volume	Weight
Purse Hook						
H-APH	174	0	0	0	2.2	0.5
Under Mount Open Shelf						
H-AUS-1209	142	3	12	9	0.3	1
Metal Storage,For Under Hutch						
H-SHUS-031409	146	4	14	10	0.0	0



Halifax LED Light 30"(1) with transformer, Wire manager, Mounting Plate and hardware



Halifax LED Light 30"(2) with transformer, Wire manager, Mounting Plate and hardware

What's Included:

- LED Tasklight
- Transformer
- Mounting Plate
- Mounting Hardware

How to Specify:

3666 fits under overheads between 36"-66"W
 7284 fits under overheads between 72-84"W

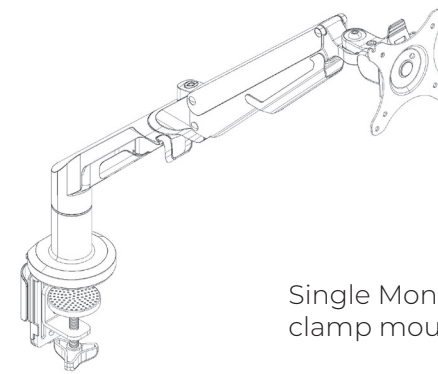
Notes:

7284 consists of two 30" lights
 Hardware includes screws for wood overhead and magnets for metal overheads

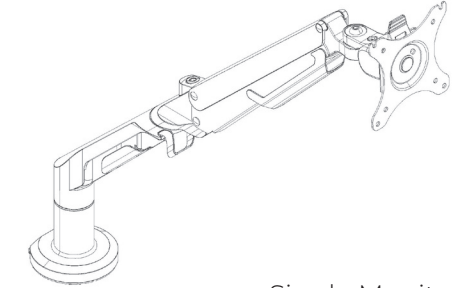
Options:

Available in Silver only

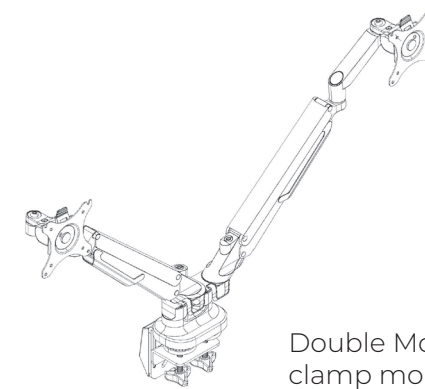
Code	Price
Tasklight	
V-ELU-3666	422
V-ELU-7284	782



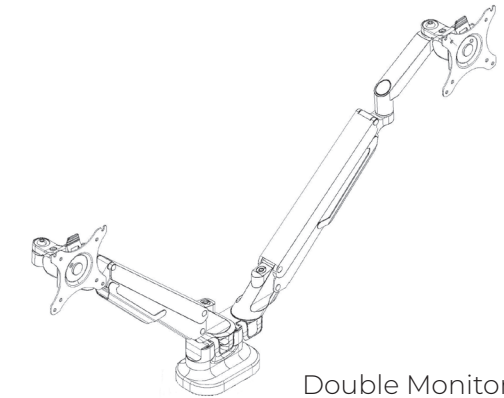
Single Monitor Arm - clamp mount



Single Monitor Arm - grommet mount



Double Monitor Arm - clamp mount



Double Monitor Arm - grommet mount

What's Included:

One monitor arm and installation hardware for both clamp and grommet mount

How to Specify:

- Specify type

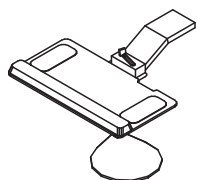
Notes:

Available in silver and black
 Single Monitor Arm
 • Screen Size - 17"-36"
 • Load Capacity - 6.6-26.4lbs/3-12kg
 • Tilt Range - -90 degrees - -15 degrees
 Dual Monitor Arm
 • Screen Size - 17"-32"
 • Load Capacity - 4.4-19.8lbs/2-9kg
 • Tilt Range - -90 degrees - -15 degrees

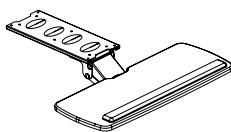
Dimensions:

Vesa: 75x75 and 100x100

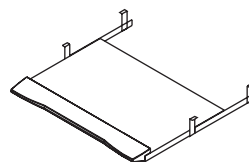
Code	Price
Monitor Arm - Single Mount	
V-AFMA-01	374
Monitor Arm - Double Mount	
V-AFMA-02	624



Articulating Keyboard Tray w/Mouse Tray



Articulating Keyboard Tray



Retractable Laminate Keyboard Tray

What's Included:

Keyboard Tray, installation hardware.

How to Specify:

Specify laminate color for retractable keyboard. The vinyl trim color will default to match the laminate color unless otherwise specified. See the laminate finish card for details.

For articulating keyboard with mouse, right or left hand must be specified.

The articulating keyboards are available only in black.

Notes:

Keyboard trays provide adjustable ergonomic support for individuals in multi-task environments

Options:

Finish: laminate colors (retractable keyboard only)

Hand: **R** right **L** left (for adjustable keyboard with mouse only)

Code	Price	H	W	D	Volume (ft ³)	Weight (lb)
Articulating Keyboard Tray w/Mouse Tray						
V-KAS0-2011-L	629	0	20	11	0	3
V-KAS0-2011-R	629	0	20	11	0	3
Articulating Keyboard Tray						
V-KASX-2510	403	0	25	10	0	15
Retractable Laminate Keyboard Tray						
V-KRS0-2516	264	0	25	16	0	12

How to Specify:

V1 upcharge =single side HPL, w/ backer

V2 upcharge =double sided HPL

Shape	W	D	V1 Upcharge	V2 Upcharge
STRAIGHT	18	18	\$ 52.00	\$ 76.00
STRAIGHT	24	18	\$ 79.00	\$ 114.00
STRAIGHT	30	18	\$ 107.00	\$ 152.00
STRAIGHT	36	18	\$ 107.00	\$ 152.00
STRAIGHT	42	18	\$ 159.00	\$ 228.00
STRAIGHT	48	18	\$ 159.00	\$ 228.00
STRAIGHT	54	18	\$ 159.00	\$ 228.00
STRAIGHT	60	18	\$ 317.00	\$ 455.00
STRAIGHT	66	18	\$ 317.00	\$ 455.00
STRAIGHT	72	18	\$ 317.00	\$ 455.00
STRAIGHT	78	18	\$ 317.00	\$ 455.00
STRAIGHT	84	18	\$ 317.00	\$ 455.00
STRAIGHT	90	18	\$ 317.00	\$ 455.00
STRAIGHT	96	18	\$ 317.00	\$ 455.00
STRAIGHT	102	18	\$ 317.00	\$ 455.00
STRAIGHT	108	18	\$ 317.00	\$ 455.00
STRAIGHT	18	20	\$ 52.00	\$ 76.00
STRAIGHT	24	20	\$ 79.00	\$ 114.00
STRAIGHT	30	20	\$ 107.00	\$ 152.00
STRAIGHT	36	20	\$ 107.00	\$ 152.00
STRAIGHT	42	20	\$ 159.00	\$ 228.00
STRAIGHT	48	20	\$ 159.00	\$ 228.00
STRAIGHT	54	20	\$ 159.00	\$ 228.00
STRAIGHT	60	20	\$ 317.00	\$ 455.00

Shape	W	D	V1 Upcharge	V2 Upcharge
STRAIGHT	66	20	\$ 317.00	\$ 455.00
STRAIGHT	72	20	\$ 317.00	\$ 455.00
STRAIGHT	78	20	\$ 317.00	\$ 455.00
STRAIGHT	84	20	\$ 317.00	\$ 455.00
STRAIGHT	90	20	\$ 317.00	\$ 455.00
STRAIGHT	96	20	\$ 317.00	\$ 455.00
STRAIGHT	102	20	\$ 317.00	\$ 455.00
STRAIGHT	108	20	\$ 317.00	\$ 455.00
STRAIGHT	18	21	\$ 79.00	\$ 114.00
STRAIGHT	24	21	\$ 117.00	\$ 169.00
STRAIGHT	30	21	\$ 159.00	\$ 228.00
STRAIGHT	36	21	\$ 159.00	\$ 228.00
STRAIGHT	42	21	\$ 238.00	\$ 341.00
STRAIGHT	48	21	\$ 238.00	\$ 341.00
STRAIGHT	54	21	\$ 238.00	\$ 341.00
STRAIGHT	60	21	\$ 476.00	\$ 683.00
STRAIGHT	66	21	\$ 476.00	\$ 683.00
STRAIGHT	72	21	\$ 476.00	\$ 683.00
STRAIGHT	78	21	\$ 476.00	\$ 683.00
STRAIGHT	84	21	\$ 476.00	\$ 683.00
STRAIGHT	90	21	\$ 476.00	\$ 683.00
STRAIGHT	96	21	\$ 476.00	\$ 683.00
STRAIGHT	102	21	\$ 476.00	\$ 683.00
STRAIGHT	108	21	\$ 476.00	\$ 683.00
STRAIGHT	18	24	\$ 79.00	\$ 114.00
STRAIGHT	24	24	\$ 117.00	\$ 169.00
STRAIGHT	30	24	\$ 159.00	\$ 228.00

Shape	W	D	V1 Upcharge	V2 Upcharge
STRAIGHT	36	24	\$ 159.00	\$ 228.00
STRAIGHT	42	24	\$ 238.00	\$ 341.00
STRAIGHT	48	24	\$ 238.00	\$ 341.00
STRAIGHT	54	24	\$ 238.00	\$ 341.00
STRAIGHT	60	24	\$ 476.00	\$ 683.00
STRAIGHT	66	24	\$ 476.00	\$ 683.00
STRAIGHT	72	24	\$ 476.00	\$ 683.00
STRAIGHT	78	24	\$ 476.00	\$ 683.00
STRAIGHT	84	24	\$ 476.00	\$ 683.00
STRAIGHT	90	24	\$ 476.00	\$ 683.00
STRAIGHT	96	24	\$ 476.00	\$ 683.00
STRAIGHT	102	24	\$ 476.00	\$ 683.00
STRAIGHT	108	24	\$ 476.00	\$ 683.00
STRAIGHT	18	30	\$ 79.00	\$ 114.00
STRAIGHT	24	30	\$ 117.00	\$ 169.00
STRAIGHT	30	30	\$ 159.00	\$ 228.00
STRAIGHT	36	30	\$ 159.00	\$ 228.00
STRAIGHT	42	30	\$ 238.00	\$ 341.00
STRAIGHT	48	30	\$ 238.00	\$ 341.00
STRAIGHT	54	30	\$ 238.00	\$ 341.00
STRAIGHT	60	30	\$ 476.00	\$ 683.00
STRAIGHT	66	30	\$ 476.00	\$ 683.00
STRAIGHT	72	30	\$ 476.00	\$ 683.00
STRAIGHT	78	30	\$ 476.00	\$ 683.00
STRAIGHT	84	30	\$ 476.00	\$ 683.00
STRAIGHT	90	30	\$ 476.00	\$ 683.00

Shape	W	D	V1 Upcharge	V2 Upcharge
STRAIGHT	96	30	\$ 476.00	\$ 683.00
STRAIGHT	102	30	\$ 476.00	\$ 683.00
STRAIGHT	108	30	\$ 476.00	\$ 683.00
STRAIGHT	18	36	\$ 159.00	\$ 228.00
STRAIGHT	24	36	\$ 238.00	\$ 341.00
STRAIGHT	30	36	\$ 317.00	\$ 455.00
STRAIGHT	36	36	\$ 317.00	\$ 455.00
STRAIGHT	42	36	\$ 476.00	\$ 683.00
STRAIGHT	48	36	\$ 476.00	\$ 683.00
STRAIGHT	54	36	\$ 476.00	\$ 683.00
STRAIGHT	60	36	\$ 948.00	\$ 1,362.00
STRAIGHT	66	36	\$ 948.00	\$ 1,362.00
STRAIGHT	72	36	\$ 948.00	\$ 1,362.00
STRAIGHT	78	36	\$ 948.00	\$ 1,362.00
STRAIGHT	84	36	\$ 948.00	\$ 1,362.00
STRAIGHT	90	36	\$ 948.00	\$ 1,362.00
STRAIGHT	96	36	\$ 948.00	\$ 1,362.00
STRAIGHT	102	36	\$ 948.00	\$ 1,362.00
STRAIGHT	108	36	\$ 948.00	\$ 1,362.00
STRAIGHT	18	42	\$ 159.00	\$ 228.00
STRAIGHT	24	42	\$ 238.00	\$ 341.00
STRAIGHT	30	42	\$ 317.00	\$ 455.00
STRAIGHT	36	42	\$ 317.00	\$ 455.00
STRAIGHT	42	42	\$ 476.00	\$ 683.00
STRAIGHT	48	42	\$ 476.00	\$ 683.00
STRAIGHT	54	42	\$ 476.00	\$ 683.00
STRAIGHT	60	42	\$ 948.00	\$ 1,362.00

Shape	W	D	V1 Upcharge	V2 Upcharge
STRAIGHT	66	42	\$ 948.00	\$ 1,362.00
STRAIGHT	72	42	\$ 948.00	\$ 1,362.00
STRAIGHT	78	42	\$ 948.00	\$ 1,362.00
STRAIGHT	84	42	\$ 948.00	\$ 1,362.00
STRAIGHT	90	42	\$ 948.00	\$ 1,362.00
STRAIGHT	96	42	\$ 948.00	\$ 1,362.00
STRAIGHT	102	42	\$ 948.00	\$ 1,362.00
STRAIGHT	108	42	\$ 948.00	\$ 1,362.00
STRAIGHT	18	48	\$ 159.00	\$ 228.00
STRAIGHT	24	48	\$ 238.00	\$ 341.00
STRAIGHT	30	48	\$ 317.00	\$ 455.00
STRAIGHT	36	48	\$ 317.00	\$ 455.00
STRAIGHT	42	48	\$ 476.00	\$ 683.00
STRAIGHT	48	48	\$ 476.00	\$ 683.00
STRAIGHT	54	48	\$ 476.00	\$ 683.00
STRAIGHT	60	48	\$ 948.00	\$ 1,362.00
STRAIGHT	66	48	\$ 948.00	\$ 1,362.00
STRAIGHT	72	48	\$ 948.00	\$ 1,362.00
STRAIGHT	78	48	\$ 948.00	\$ 1,362.00
STRAIGHT	84	48	\$ 948.00	\$ 1,362.00
STRAIGHT	90	48	\$ 948.00	\$ 1,362.00
STRAIGHT	96	48	\$ 948.00	\$ 1,362.00
STRAIGHT	102	48	\$ 948.00	\$ 1,362.00
STRAIGHT	108	48	\$ 948.00	\$ 1,362.00
STRAIGHT	18	54	\$ 159.00	\$ 228.00
STRAIGHT	24	54	\$ 238.00	\$ 341.00
STRAIGHT	30	54	\$ 317.00	\$ 455.00
STRAIGHT	36	54	\$ 317.00	\$ 455.00

Shape	W	D	V1 Upcharge	V2 Upcharge
STRAIGHT	42	54	\$ 476.00	\$ 683.00
STRAIGHT	48	54	\$ 476.00	\$ 683.00
STRAIGHT	54	54	\$ 476.00	\$ 683.00
STRAIGHT	60	54	\$ 948.00	\$ 1,362.00
STRAIGHT	66	54	\$ 948.00	\$ 1,362.00
STRAIGHT	72	54	\$ 948.00	\$ 1,362.00
STRAIGHT	78	54	\$ 948.00	\$ 1,362.00
STRAIGHT	84	54	\$ 948.00	\$ 1,362.00
STRAIGHT	90	54	\$ 948.00	\$ 1,362.00
STRAIGHT	96	54	\$ 948.00	\$ 1,362.00
STRAIGHT	102	54	\$ 948.00	\$ 1,362.00
STRAIGHT	108	54	\$ 948.00	\$ 1,362.00
STRAIGHT	18	60	\$ 159.00	\$ 228.00
STRAIGHT	24	60	\$ 238.00	\$ 341.00
STRAIGHT	30	60	\$ 317.00	\$ 455.00
STRAIGHT	36	60	\$ 317.00	\$ 455.00
STRAIGHT	42	60	\$ 476.00	\$ 683.00
STRAIGHT	48	60	\$ 476.00	\$ 683.00
STRAIGHT	54	60	\$ 476.00	\$ 683.00
STRAIGHT	60	60	\$ 948.00	\$ 1,362.00
STRAIGHT	66	60	\$ 948.00	\$ 1,362.00
STRAIGHT	72	60	\$ 948.00	\$ 1,362.00
STRAIGHT	78	60	\$ 948.00	\$ 1,362.00
STRAIGHT	84	60	\$ 948.00	\$ 1,362.00
STRAIGHT	90	60	\$ 948.00	\$ 1,362.00
STRAIGHT	96	60	\$ 948.00	\$ 1,362.00
STRAIGHT	102	60	\$ 948.00	\$ 1,362.00
STRAIGHT	108	60	\$ 948.00	\$ 1,362.00

Shape	W1	W2	D	V1 Upcharge	V2 Upcharge
5-SIDED	36	36	24	\$ 317.00	\$455.00
5-SIDED	42	42	24	\$ 476.00	\$683.00
5-SIDED	48	48	24	\$ 476.00	\$683.00
5-SIDED	54	54	24	\$ 476.00	\$683.00
5-SIDED	60	60	24	\$ 476.00	\$683.00
5-SIDED	36	36	30	\$ 476.00	\$683.00
5-SIDED	42	42	30	\$ 476.00	\$683.00
5-SIDED	48	48	30	\$ 476.00	\$683.00
5-SIDED	54	54	30	\$ 948.00	\$1,362.00
5-SIDED	60	60	30	\$ 948.00	\$1,362.00

Shape	W1	W2	D	Handedness	V1 Upcharge	V2 Upcharge
UNITIZED	48	36	24	L	\$ 476.00	\$683.00
UNITIZED	54	36	24	L	\$ 476.00	\$683.00
UNITIZED	60	36	24	L	\$ 476.00	\$683.00
UNITIZED	66	36	24	L	\$ 476.00	\$683.00
UNITIZED	72	36	24	L	\$ 476.00	\$683.00
UNITIZED	78	36	24	L	\$ 476.00	\$683.00
UNITIZED	84	36	24	L	\$ 476.00	\$683.00
UNITIZED	90	36	24	L	\$ 476.00	\$683.00
UNITIZED	96	36	24	L	\$ 476.00	\$683.00
UNITIZED	102	36	24	L	\$ 476.00	\$683.00
UNITIZED	108	36	24	L	\$ 948.00	\$1,362.00
UNITIZED	48	36	24	R	\$ 476.00	\$683.00
UNITIZED	54	36	24	R	\$ 476.00	\$683.00
UNITIZED	60	36	24	R	\$ 476.00	\$683.00
UNITIZED	66	36	24	R	\$ 476.00	\$683.00
UNITIZED	72	36	24	R	\$ 476.00	\$683.00
UNITIZED	78	36	24	R	\$ 476.00	\$683.00
UNITIZED	84	36	24	R	\$ 476.00	\$683.00
UNITIZED	90	36	24	R	\$ 476.00	\$683.00
UNITIZED	96	36	24	R	\$ 476.00	\$683.00
UNITIZED	102	36	24	R	\$ 476.00	\$683.00
UNITIZED	108	36	24	R	\$ 948.00	\$1,362.00
UNITIZED	48	42	24	L	\$ 476.00	\$683.00
UNITIZED	54	42	24	L	\$ 476.00	\$683.00
UNITIZED	60	42	24	L	\$ 476.00	\$683.00
UNITIZED	66	42	24	L	\$ 476.00	\$683.00
UNITIZED	72	42	24	L	\$ 476.00	\$683.00
UNITIZED	78	42	24	L	\$ 476.00	\$683.00

Shape	W1	W2	D	Handedness	V1 Upcharge	V2 Upcharge
UNITIZED	84	42	24	L	\$ 476.00	\$683.00
UNITIZED	90	42	24	L	\$ 476.00	\$683.00
UNITIZED	96	42	24	L	\$ 476.00	\$683.00
UNITIZED	102	42	24	L	\$ 476.00	\$683.00
UNITIZED	108	42	24	L	\$ 948.00	\$1,362.00
UNITIZED	48	42	24	R	\$ 476.00	\$683.00
UNITIZED	54	42	24	R	\$ 476.00	\$683.00
UNITIZED	60	42	24	R	\$ 476.00	\$683.00
UNITIZED	66	42	24	R	\$ 476.00	\$683.00
UNITIZED	72	42	24	R	\$ 476.00	\$683.00
UNITIZED	78	42	24	R	\$ 476.00	\$683.00
UNITIZED	84	42	24	R	\$ 476.00	\$683.00
UNITIZED	90	42	24	R	\$ 476.00	\$683.00
UNITIZED	96	42	24	R	\$ 476.00	\$683.00
UNITIZED	102	42	24	R	\$ 476.00	\$683.00
UNITIZED	108	42	24	R	\$ 948.00	\$1,362.00
UNITIZED	48	42	30	L	\$ 476.00	\$683.00
UNITIZED	54	42	30	L	\$ 948.00	\$1,362.00
UNITIZED	60	42	30	L	\$ 948.00	\$1,362.00
UNITIZED	66	42	30	L	\$ 948.00	\$1,362.00
UNITIZED	72	42	30	L	\$ 948.00	\$1,362.00
UNITIZED	78	42	30	L	\$ 948.00	\$1,362.00
UNITIZED	84	42	30	L	\$ 948.00	\$1,362.00
UNITIZED	90	42	30	L	\$ 948.00	\$1,362.00
UNITIZED	96	42	30	L	\$ 948.00	\$1,362.00
UNITIZED	102	42	30	L	\$ 948.00	\$1,362.00
UNITIZED	108	42	30	L	\$ 948.00	\$1,362.00
UNITIZED	48	42	30	R	\$ 476.00	\$683.00
UNITIZED	54	42	30	R	\$ 948.00	\$1,362.00

Shape	W1	W2	D	Handedness	V1 Upcharge	V2 Upcharge
UNITIZED	60	42	30	R	\$ 948.00	\$1,362.00
UNITIZED	66	42	30	R	\$ 948.00	\$1,362.00
UNITIZED	72	42	30	R	\$ 948.00	\$1,362.00
UNITIZED	78	42	30	R	\$ 948.00	\$1,362.00
UNITIZED	84	42	30	R	\$ 948.00	\$1,362.00
UNITIZED	90	42	30	R	\$ 948.00	\$1,362.00
UNITIZED	96	42	30	R	\$ 948.00	\$1,362.00
UNITIZED	102	42	30	R	\$ 948.00	\$1,362.00
UNITIZED	108	42	30	R	\$ 948.00	\$1,362.00
UNITIZED	54	48	24	L	\$ 476.00	\$683.00
UNITIZED	60	48	24	L	\$ 476.00	\$683.00
UNITIZED	66	48	24	L	\$ 476.00	\$683.00
UNITIZED	72	48	24	L	\$ 476.00	\$683.00
UNITIZED	78	48	24	L	\$ 476.00	\$683.00
UNITIZED	84	48	24	L	\$ 948.00	\$1,362.00
UNITIZED	90	48	24	L	\$ 948.00	\$1,362.00
UNITIZED	96	48	24	L	\$ 948.00	\$1,362.00
UNITIZED	102	48	24	L	\$ 948.00	\$1,362.00
UNITIZED	108	48	24	L	\$ 948.00	\$1,362.00
UNITIZED	54	48	24	R	\$ 476.00	\$683.00
UNITIZED	60	48	24	R	\$ 476.00	\$683.00
UNITIZED	66	48	24	R	\$ 476.00	\$683.00
UNITIZED	72	48	24	R	\$ 476.00	\$683.00
UNITIZED	78	48	24	R	\$ 476.00	\$683.00
UNITIZED	84	48	24	R	\$ 948.00	\$1,362.00
UNITIZED	90	48	24	R	\$ 948.00	\$1,362.00
UNITIZED	96	48	24	R	\$ 948.00	\$1,362.00
UNITIZED	102	48	24	R	\$ 948.00	\$1,362.00
UNITIZED	108	48	24	R	\$ 948.00	\$1,362.00

Shape	W1	W2	D	Handedness	V1 Upcharge	V2 Upcharge
UNITIZED	54	48	30	L	\$ 948.00	\$1,362.00
UNITIZED	60	48	30	L	\$ 948.00	\$1,362.00
UNITIZED	66	48	30	L	\$ 948.00	\$1,362.00
UNITIZED	72	48	30	L	\$ 948.00	\$1,362.00
UNITIZED	78	48	30	L	\$ 948.00	\$1,362.00
UNITIZED	84	48	30	L	\$ 948.00	\$1,362.00
UNITIZED	90	48	30	L	\$ 948.00	\$1,362.00
UNITIZED	96	48	30	L	\$ 948.00	\$1,362.00
UNITIZED	102	48	30	L	\$ 948.00	\$1,362.00
UNITIZED	108	48	30	L	\$ 948.00	\$1,362.00
UNITIZED	54	48	30	R	\$ 948.00	\$1,362.00
UNITIZED	60	48	30	R	\$ 948.00	\$1,362.00
UNITIZED	66	48	30	R	\$ 948.00	\$1,362.00
UNITIZED	72	48	30	R	\$ 948.00	\$1,362.00
UNITIZED	78	48	30	R	\$ 948.00	\$1,362.00
UNITIZED	84	48	30	R	\$ 948.00	\$1,362.00
UNITIZED	90	48	30	R	\$ 948.00	\$1,362.00
UNITIZED	96	48	30	R	\$ 948.00	\$1,362.00
UNITIZED	102	48	30	R	\$ 948.00	\$1,362.00
UNITIZED	108	48	30	R	\$ 948.00	\$1,362.00
UNITIZED	60	54	24	L	\$ 476.00	\$683.00
UNITIZED	66	54	24	L	\$ 476.00	\$683.00
UNITIZED	72	54	24	L	\$ 476.00	\$683.00
UNITIZED	78	54	24	L	\$ 476.00	\$683.00
UNITIZED	84	54	24	L	\$ 948.00	\$1,362.00
UNITIZED	90	54	24	L	\$ 948.00	\$1,362.00
UNITIZED	96	54	24	L	\$ 948.00	\$1,362.00
UNITIZED	102	54	24	L	\$ 948.00	\$1,362.00
UNITIZED	108	54	24	L	\$ 948.00	\$1,362.00

Shape	W1	W2	D	Handedness	V1 Upcharge	V2 Upcharge
UNITIZED	60	54	24	R	\$ 476.00	\$683.00
UNITIZED	66	54	24	R	\$ 476.00	\$683.00
UNITIZED	72	54	24	R	\$ 476.00	\$683.00
UNITIZED	78	54	24	R	\$ 476.00	\$683.00
UNITIZED	84	54	24	R	\$ 948.00	\$1,362.00
UNITIZED	90	54	24	R	\$ 948.00	\$1,362.00
UNITIZED	96	54	24	R	\$ 948.00	\$1,362.00
UNITIZED	102	54	24	R	\$ 948.00	\$1,362.00
UNITIZED	108	54	24	R	\$ 948.00	\$1,362.00
UNITIZED	60	54	30	L	\$ 948.00	\$1,362.00
UNITIZED	66	54	30	L	\$ 948.00	\$1,362.00
UNITIZED	72	54	30	L	\$ 948.00	\$1,362.00
UNITIZED	78	54	30	L	\$ 948.00	\$1,362.00
UNITIZED	84	54	30	L	\$ 948.00	\$1,362.00
UNITIZED	90	54	30	L	\$ 948.00	\$1,362.00
UNITIZED	96	54	30	L	\$ 948.00	\$1,362.00
UNITIZED	102	54	30	L	\$ 948.00	\$1,362.00
UNITIZED	108	54	30	L	\$ 948.00	\$1,362.00
UNITIZED	60	54	30	R	\$ 948.00	\$1,362.00
UNITIZED	66	54	30	R	\$ 948.00	\$1,362.00
UNITIZED	72	54	30	R	\$ 948.00	\$1,362.00
UNITIZED	78	54	30	R	\$ 948.00	\$1,362.00
UNITIZED	84	54	30	R	\$ 948.00	\$1,362.00
UNITIZED	90	54	30	R	\$ 948.00	\$1,362.00
UNITIZED	96	54	30	R	\$ 948.00	\$1,362.00
UNITIZED	102	54	30	R	\$ 948.00	\$1,362.00
UNITIZED	108	54	30	R	\$ 948.00	\$1,362.00
UNITIZED	66	60	24	L	\$ 476.00	\$683.00
UNITIZED	72	60	24	L	\$ 476.00	\$683.00

Shape	W1	W2	D	Handedness	V1 Upcharge	V2 Upcharge
UNITIZED	78	60	24	L	\$ 476.00	\$683.00
UNITIZED	84	60	24	L	\$ 948.00	\$1,362.00
UNITIZED	90	60	24	L	\$ 948.00	\$1,362.00
UNITIZED	96	60	24	L	\$ 948.00	\$1,362.00
UNITIZED	102	60	24	L	\$ 948.00	\$1,362.00
UNITIZED	108	60	24	L	\$ 948.00	\$1,362.00
UNITIZED	66	60	24	R	\$ 476.00	\$683.00
UNITIZED	72	60	24	R	\$ 476.00	\$683.00
UNITIZED	78	60	24	R	\$ 476.00	\$683.00
UNITIZED	84	60	24	R	\$ 948.00	\$1,362.00
UNITIZED	90	60	24	R	\$ 948.00	\$1,362.00
UNITIZED	96	60	24	R	\$ 948.00	\$1,362.00
UNITIZED	102	60	24	R	\$ 948.00	\$1,362.00
UNITIZED	108	60	24	R	\$ 948.00	\$1,362.00
UNITIZED	66	60	30	L	\$ 948.00	\$1,362.00
UNITIZED	72	60	30	L	\$ 948.00	\$1,362.00
UNITIZED	78	60	30	L	\$ 948.00	\$1,362.00
UNITIZED	84	60	30	L	\$ 948.00	\$1,362.00
UNITIZED	90	60	30	L	\$ 948.00	\$1,362.00
UNITIZED	96	60	30	L	\$ 948.00	\$1,362.00
UNITIZED	102	60	30	L	\$ 948.00	\$1,362.00
UNITIZED	108	60	30	L	\$ 948.00	\$1,362.00
UNITIZED	66	60	30	R	\$ 948.00	\$1,362.00
UNITIZED	72	60	30	R	\$ 948.00	\$1,362.00
UNITIZED	78	60	30	R	\$ 948.00	\$1,362.00
UNITIZED	84	60	30	R	\$ 948.00	\$1,362.00
UNITIZED	90	60	30	R	\$ 948.00	\$1,362.00
UNITIZED	96	60	30	R	\$ 948.00	\$1,362.00
UNITIZED	102	60	30	R	\$ 948.00	\$1,362.00
UNITIZED	108	60	30	R	\$ 948.00	\$1,362.00

Shape	W1	W2	D	V1 Upcharge	V2 Upcharge
120 DEGREE	42	42	24	\$ 948.00	\$1,362.00
120 DEGREE	48	48	24	\$ 948.00	\$1,362.00
120 DEGREE	54	54	24	\$ 948.00	\$1,362.00
120 DEGREE	60	60	24	\$ 948.00	\$1,362.00
120 DEGREE	42	42	30	\$ 948.00	\$1,362.00
120 DEGREE	48	48	30	\$ 948.00	\$1,362.00
120 DEGREE	54	54	30	\$ 948.00	\$1,362.00
120 DEGREE	60	60	30	\$ 948.00	\$1,362.00