



Accessories Pricebook

Supply Arrangement (RFSA)
E60PQ-140003/D
March 2024

caution	3
keyboard tray	4
task light	5
LED tasklight	6
freestanding tasklight	7
monitor arm	8
storage cube	9
horizontal wire manager	10
vertical wire manager	11
wall mounted tackboard	12
power/USB	16
grommet covers	17
lock and key	18

Load Bottom Drawer First

- Operate one drawer at a time
- Units may tip if loaded incorrectly
- Units should be attached to a wall or other furniture to reduce tipping hazard
- Always load the heaviest files in the bottom drawer

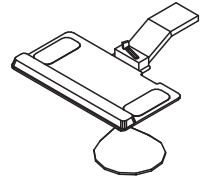
Heavy Load

- Some products must be anchored to wall to ensure stability & safety.
- It is the owner and installers responsibility to ensure that the wall type and construction is of sufficient strength to carry the loads of any wall mounted products and their contents.
- Failure of the wall and anchors to support all imposed loads may result in property damage and/or personal injury.
- Tayco can provide size and empty weight of its products only. As wall blocking is considered a building construction process, Tayco cannot provide recommendations in this respect and cannot be responsible for damage or injury that may occur as a result of improper installation and/or blocking.

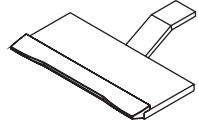
Instability Hazard

Mobile items on casters such as flip top, personal and movable tables of any type and storage items of any type may present an instability hazard if not secured correctly while in use or in storage. Flip top tables or training tables of any type, are inherently more unstable when folded. Tayco provides the following guidelines & warnings when using mobile products:

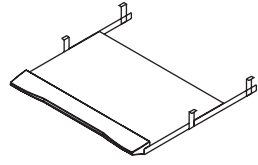
- Lock casters immediately after moving. Do not leave the casters unlocked when in use or in storage.
- Motion may increase the instability of any item with casters. If the wheels hit an obstruction the table's forward momentum often causes overturn, especially if the item is not equipped with wheel extensions. Exercise strong caution while moving these items.
- Use caution when abrupt level changes in the floor are present (such as a doorway or room threshold) as caster failure or tipping may result.
- Do not stand, sit or lean on mobile items for support. They are not intended for this use and personal injury or property damage may result.
- Mobile units that feature height adjustable elements must be lowered to the minimum compressed height when moving to prevent instability. It is also recommended the user remove all computer equipment or other Standard Offering Accessories to prevent possible weight imbalance or damage to equipment.
- Failure to follow the guidelines above may result in property damage or personal injury.



Articulating Keyboard Tray w/Mouse Tray



Articulating Laminate Keyboard Tray



Retractable Laminate Keyboard Tray

How to Specify:

Each laminate comes with matching vinyl trim color unless otherwise specified on your purchase order. Refer to the laminate finish card for details.

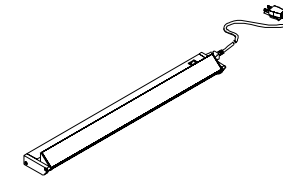
Notes:

All keyboard trays include palm rests.

Options:

laminate color (for laminate keyboard trays)

Code	Price	H	W	D	Volume (ft ³)	Weight (lb)
Articulating Keyboard Tray w/Mouse Tray						
V-KAS0-2011-L	629	0	20	11	0	3
V-KAS0-2011-R	629	0	20	11	0	3
N-KAS0-2011-M	631					
Articulating Laminate Keyboard Tray						
V-KAS0-2510	629	0	25	10	0	15
Retractable Laminate Keyboard Tray						
V-KRS0-2516	264	0	25	16	0	12

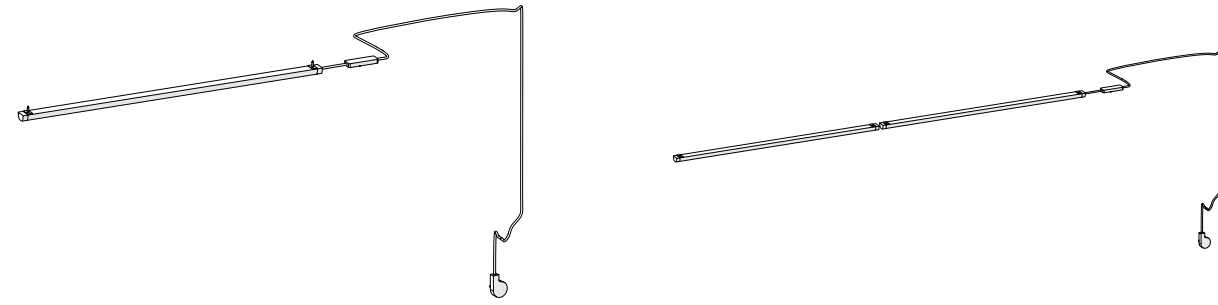


Task Light

Notes:

Task light comes in black finish.

Code	Price	H	W	D	Volume (ft ³)	Weight (lb)
V-ELU-24	303	0	24	0	0	9.5
V-ELU-36	341	0	36	0	0	13.7
V-ELU-48	428	0	48	0.15	0	17.9



Halifax LED Light 30"(1) with transformer, Wire manager, Mounting Plate and hardware

Halifax LED Light 30"(2) with transformer, Wire manager, Mounting Plate and hardware

What's Included:

- LED Tasklight
- Transformer
- Mounting Plate
- Mounting Hardware

Notes:

7284 consists of two 30" lights
Hardware includes screws for wood overhead and magnets for metal overheads

How to Specify:

3666 fits under overheads between 36"-66"W
7284 fits under overheads between 72"-84"W

Options:

Available in Silver only

Code	Price
LED Tasklight	
V-ELU-3666	422
V-ELU-7284	783

What's Included:

Freestanding Tasklight

How to Specify:

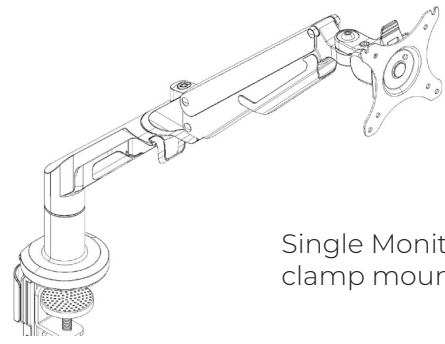
Notes:

- 5 Step brightness dimming control
- 60 minutes timer control
- True glare, shadow, UV and flicker free
- 4 Mode smart control LED Panel
- Color Temperature 2500K-6600K
- 3 adjustable pivot points for custom setting plus 180° rotation
- USB charging Port for all mobile devices

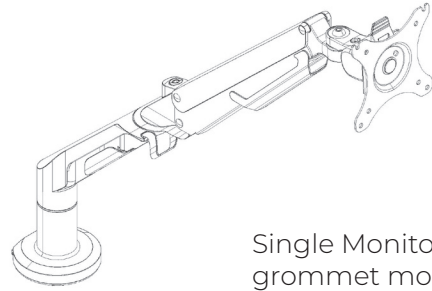
Options:

With or without USB

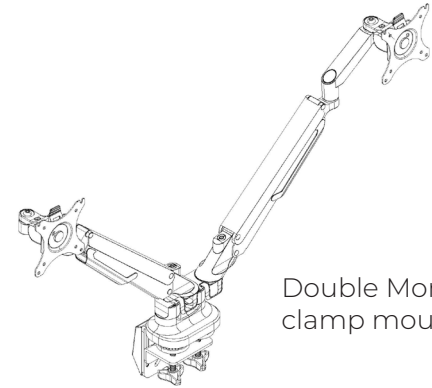
Code	Price
Freestanding Tasklight	
N-ETLA-F	382
Freestanding Tasklight with USB	
N-ETLA-F-E	382



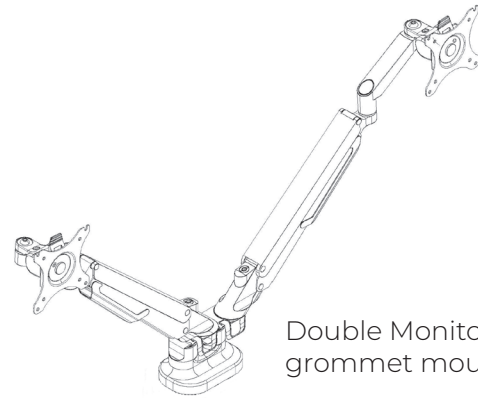
Single Monitor Arm - clamp mount



Single Monitor Arm - grommet mount



Double Monitor Arm - clamp mount



Double Monitor Arm - grommet mount

What's Included:

One monitor arm and installation hardware for both clamp and grommet mount

How to Specify:

- Specify type

Notes:

Available in silver and black

Single Monitor Arm

- Screen Size - 17"-36"
- Load Capacity - 6.6-26.4lbs/3-12kg
- Tilt Range - -90 degrees - -15 degrees

Dual Monitor Arm

- Screen Size - 17"-32"
- Load Capacity - 4.4-19.8lbs/2-9kg
- Tilt Range - -90 degrees - -15 degrees

Dimensions:

Vesa: 75x75 and 100x100

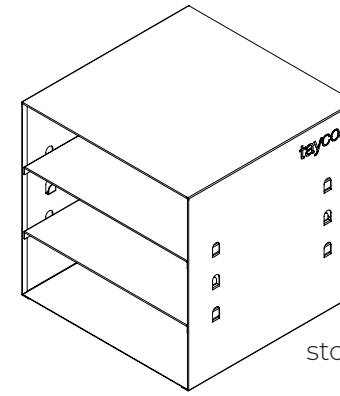
Standard Load

Code	Price
Monitor Arm - Single Mount	
V-AFMA-01	375
Monitor Arm - Double Mount	
V-AFMA-02	625

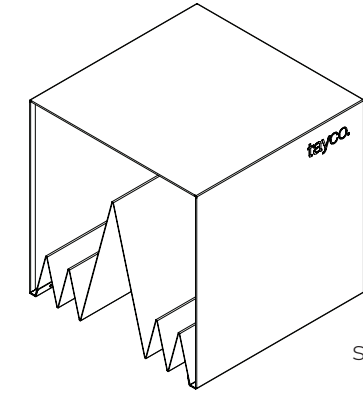
Code	Price
Monitor Arm - Single Mount	
N-AFMA-S01	499
Monitor Arm - Double Mount	
N-AFMA-S02	963

Heavy Load

Code	Price
Monitor Arm - Single Mount	
N-AFMA-H01	675
Monitor Arm - Double Mount	
N-AFMA-H02	1157



storage cube (shelf)



storage cube (sorter)

What's Included:

Shelf: Storage cube (1) and two shelf inserts (2).
Sorter: Storage cube (1) and an insert (1).

How to Specify:

Available in a variety of powder coat finish colors. Refer to the samples presented on Tayco metal finish card.

Storage cube outer shell and insert are available in a variety of color combinations.

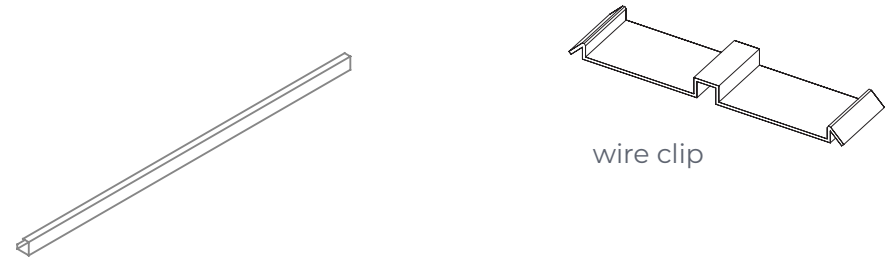
Notes:

Storage cube can hold multiple folders and papers.

Color combination Options:

Insert Color	OUTER SHELL COLOR							
	P121 white	P112 silver	P114 black	P200 sunrise	P201 tropic	P202 vineyard	P203 sky	P204 meadow
P121 white	✓	✓	✓	✓	✓	✓	✓	✓
P112 silver	✓	✓	✓	✓	✓	✓	✓	✓
P114 black	✓	✓	✓	✓	✓	✓	✓	✓
P200 sunrise	✓	✓	✓	✓				
P201 tropic	✓	✓	✓		✓			
P202 vineyard	✓	✓	✓			✓		
P203 sky	✓	✓	✓				✓	
P204 meadow	✓	✓	✓					✓

Code	Price	H (in.)	W (in.)	D 1 (in.)	Weight (lb)	Volume (ft ³)
storage cube (shelf)						
V-ACSF	380	12	12	12	8	1
storage cube (sorter)						
V-ACSR	307	12	12	12	8	1



What's Included:

One (1) cable manager

How to Specify:

Available in black only

Notes:

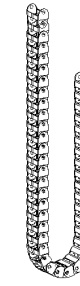
Dimensions:

length 12", 18", 24", 30", 36", 42", 48", 54", 60", 66", 72"

Code	Price	H	W	D	Weight (lb.)	Volume (ft ³)
horizontal wire manager						
V-EWHB-12	8	1.5	12	1.5	0.15	0.02
V-EWHB-18	12	1.5	18	1.5	0.25	0.02
V-EWHB-24	16	1.5	24	1.5	0.35	0.03
V-EWHB-30	20	1.5	30	1.5	0.45	0.04
V-EWHB-36	23	1.5	36	1.5	0.55	0.05
V-EWHB-42	27	1.5	42	1.5	0.65	0.05
V-EWHB-48	30	1.5	48	1.5	0.75	0.06
V-EWHB-54	33	1.5	54	1.5	0.85	0.07
V-EWHB-60	37	1.5	60	1.5	0.95	0.08
V-EWHB-66	41	1.5	66	1.5	1.05	0.09
V-EWHB-72	43	1.5	72	1.5	1.15	0.09
worksurface wire clips						
V-EWHC	39					



elephant trunk



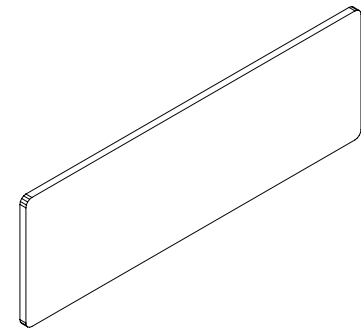
E-Chain Wire Manager

Notes:

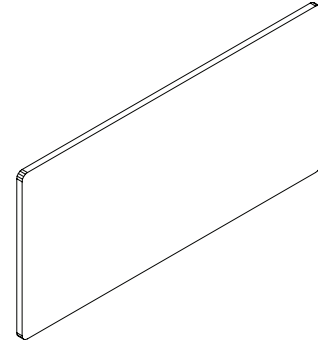
Elephant trunk is available in silver only.

E-Chain is available in black only

Code	Price	H	W	D	Volume (ft ³)	Weight (lb)
elephant trunk						
V-EE00	318	28	4	4	0.25	1
e-chain wire manager						
V-EE-28	295	28			1	1



14-inch



24-inch

What's Included:

Wall mounted tackboard, fasteners.

How to Specify:

Specify fabric.

Notes:

The wall mounted tackboard mounts to a wall in the workspace to provide a fabric wrapped tackable surface.

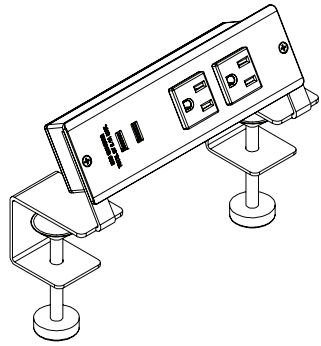
Options:

height	14, 24
width	24, 30, 36, 42, 48, 54, 60, 66, 72
screen finish	panel fabrics

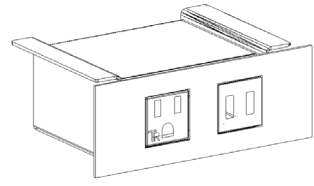
Code	Price	H (in.)	W (in.)	Weight (lb)	Volume (ft ³)
V-ATW0-1424-1	117	14	24	1.2	0.19
V-ATW0-1430-1	126	14	30	1.5	0.24
V-ATW0-1436-1	156	14	36	1.9	0.29
V-ATW0-1442-1	165	14	42	2.2	0.34
V-ATW0-1448-1	171	14	48	2.5	0.39
V-ATW0-1454-1	181	14	54	2.8	0.44
V-ATW0-1460-1	190	14	60	3.1	0.49
V-ATW0-1466-1	240	14	66	3.4	0.54
V-ATW0-1472-1	259	14	72	3.7	0.59
V-ATW0-1478-1	354	14	78	4	0.64
V-ATW0-1484-1	363	14	84	4.3	0.69
V-ATW0-1496-1	375	14	96	4.6	0.79
V-ATW0-2124-1	176	21	24	1.8	0.28
V-ATW0-2130-1	189	21	30	2.25	0.36
V-ATW0-2142-1	248	21	42	3.3	0.51
V-ATW0-2148-1	257	21	48	3.75	0.58
V-ATW0-2154-1	271	21	54	4.2	0.66
V-ATW0-2160-1	284	21	60	4.65	0.73
V-ATW0-2166-1	358	21	66	5.1	0.81
V-ATW0-2172-1	388	21	72	5.55	0.89
V-ATW0-2178-1	531	21	78	6	0.96
V-ATW0-2184-1	546	21	84	6.45	1.03
V-ATW0-2196-1	564	21	96	7.35	1.19
V-ATW0-2424-1	199	24	24	2.05	0.32
V-ATW0-2430-1	214	24	30	2.56	0.41
V-ATW0-2436-1	266	24	36	3.25	0.5
V-ATW0-2442-1	281	24	42	3.76	0.58
V-ATW0-2448-1	290	24	48	4.28	0.67
V-ATW0-2454-1	307	24	54	4.79	0.75
V-ATW0-2460-1	323	24	60	5.3	0.84
V-ATW0-2466-1	406	24	66	5.81	0.92
V-ATW0-2472-1	440	24	72	6.33	1.01
V-ATW0-2478-1	602	24	78	6.84	1.09
V-ATW0-2484-1	617	24	84	7.35	1.18
V-ATW0-2490-1	629	24	90	7.87	1.27
V-ATW0-2496-1	639	24	96	8.38	1.35

Code	Price	H (in.)	W (in.)	Weight (lb)	Volume (ft ³)
V-ATW0-1424-2	149	14	24	1.2	0.19
V-ATW0-1430-2	158	14	30	1.5	0.24
V-ATW0-1436-2	220	14	36	1.9	0.29
V-ATW0-1442-2	230	14	42	2.2	0.34
V-ATW0-1448-2	234	14	48	2.5	0.39
V-ATW0-1454-2	245	14	54	2.8	0.44
V-ATW0-1460-2	254	14	60	3.1	0.49
V-ATW0-1466-2	335	14	66	3.4	0.54
V-ATW0-1472-2	356	14	72	3.7	0.59
V-ATW0-1478-2	451	14	78	4	0.64
V-ATW0-1484-2	459	14	84	4.3	0.69
V-ATW0-1490-2	465	14	90	4.6	0.74
V-ATW0-1496-2	504	14	96	4.9	0.79
V-ATW0-2124-2	208	21	24	1.8	0.28
V-ATW0-2130-2	220	21	30	2.25	0.36
V-ATW0-2136-2	299	21	36	2.85	0.43
V-ATW0-2142-2	313	21	42	3.3	0.51
V-ATW0-2148-2	321	21	48	3.75	0.58
V-ATW0-2154-2	336	21	54	4.2	0.66
V-ATW0-2160-2	349	21	60	4.65	0.73
V-ATW0-2166-2	454	21	66	5.1	0.81
V-ATW0-2172-2	485	21	72	5.55	0.89
V-ATW0-2178-2	628	21	78	6	0.96
V-ATW0-2184-2	641	21	84	6.45	1.03
V-ATW0-2190-2	651	21	90	6.9	1.11
V-ATW0-2196-2	692	21	96	7.35	1.19
V-ATW0-2424-2	231	24	24	2.05	0.32
V-ATW0-2430-2	246	24	30	2.56	0.41
V-ATW0-2436-2	330	24	36	3.25	0.5
V-ATW0-2442-2	346	24	42	3.76	0.58
V-ATW0-2448-2	354	24	48	4.28	0.67
V-ATW0-2454-2	372	24	54	4.79	0.75
V-ATW0-2460-2	387	24	60	5.3	0.84
V-ATW0-2466-2	501	24	66	5.81	0.92
V-ATW0-2472-2	536	24	72	6.33	1.01
V-ATW0-2478-2	697	24	78	6.84	1.09
V-ATW0-2484-2	713	24	84	7.35	1.18
V-ATW0-2490-2	725	24	90	7.87	1.27
V-ATW0-2496-2	767	24	96	8.38	1.35

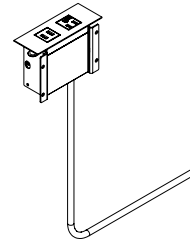
Code	Price	H (in.)	W (in.)	Weight (lb)	Volume (ft ³)
V-ATW0-1424-3	181	14	24	1.2	0.19
V-ATW0-1430-3	190	14	30	1.5	0.24
V-ATW0-1436-3	284	14	36	1.9	0.29
V-ATW0-1442-3	294	14	42	2.2	0.34
V-ATW0-1448-3	299	14	48	2.5	0.39
V-ATW0-1454-3	310	14	54	2.8	0.44
V-ATW0-1460-3	318	14	60	3.1	0.49
V-ATW0-1466-3	431	14	66	3.4	0.54
V-ATW0-1472-3	452	14	72	3.7	0.59
V-ATW0-1478-3	547	14	78	4	0.64
V-ATW0-1484-3	555	14	84	4.3	0.69
V-ATW0-1490-3	562	14	90	4.6	0.74
V-ATW0-1496-3	568	14	96	4.9	0.79
V-ATW0-2124-3	241	21	24	1.8	0.28
V-ATW0-2130-3	253	21	30	2.25	0.36
V-ATW0-2136-3	363	21	36	2.85	0.43
V-ATW0-2142-3	376	21	42	3.3	0.51
V-ATW0-2148-3	385	21	48	3.75	0.58
V-ATW0-2154-3	400	21	54	4.2	0.66
V-ATW0-2160-3	412	21	60	4.65	0.73
V-ATW0-2166-3	550	21	66	5.1	0.81
V-ATW0-2172-3	581	21	72	5.55	0.89
V-ATW0-2178-3	723	21	78	6	0.96
V-ATW0-2184-3	738	21	84	6.45	1.03
V-ATW0-2190-3	746	21	90	6.9	1.11
V-ATW0-2196-3	757	21	96	7.35	1.19
V-ATW0-2424-3	264	24	24	2.05	0.32
V-ATW0-2430-3	279	24	30	2.56	0.41
V-ATW0-2436-3	394	24	36	3.25	0.5
V-ATW0-2442-3	409	24	42	3.76	0.58
V-ATW0-2448-3	419	24	48	4.28	0.67
V-ATW0-2454-3	436	24	54	4.79	0.75
V-ATW0-2460-3	452	24	60	5.3	0.84
V-ATW0-2466-3	598	24	66	5.81	0.92
V-ATW0-2472-3	632	24	72	6.33	1.01
V-ATW0-2478-3	794	24	78	6.84	1.09
V-ATW0-2484-3	809	24	84	7.35	1.18
V-ATW0-2490-3	820	24	90	7.87	1.27
V-ATW0-2496-3	831	24	96	8.38	1.35



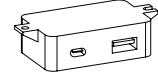
clamp mount desktop power module equipped with 2 ac outlets and 2 USB charging ports and one (1) three prong cord



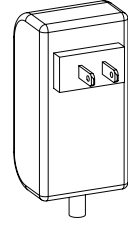
Side Mounted, 1 Outlet + Dual USB Ports



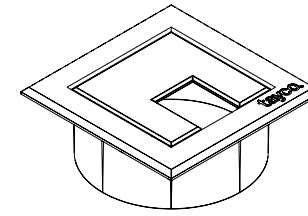
Side Mounted Module With Power And USB



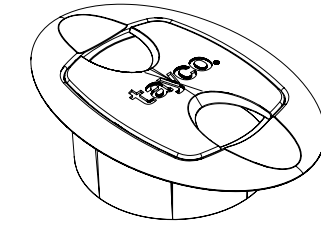
Side Mounted USB A & C, 1 Module, with AC Adapter



Code	Price	H	W	D	Volume	Weight
clamp mount desktop power module						
V-EMW-2	184	6	4	3	1	0.04
USB adapter (1 ea USB A & C ports with adapter)						
V-ESMU-A	180				2	2
side Mounted USB, 4 Module, With Hub						
V-ESMU-K	996				2	2
side Mounted Module With Power And USB						
V-ESMU-P	260				2	2
freestanding power module (2 power, 2 USB, QI)						
N-EFS	3069					
clamp mount power module (2 power, 2 USB)						
N-EMW	260					
under surface mount power module (2 power, 2 USB)						
N-ESMU	245					



square grommet cover



oval grommet cover

Notes:

Square Grommet covers available in black, silver and white.

Oval Grommet covers available in black and silver

Code	Price	H	W	D	Volume (ft ³)	Weight (lb)
square grommet covers						
8540-1132	22	1.25	3.13	3.13	0	0.44
8540-1133	22	1.25	3.13	3.13	0	0.44
8540-1134	22	1.25	3.13	3.13	0	0.44
8540-0790	22	1.13	3	4.75	0	0.44
oval grommet covers						
8540-0790	22	1.13	3	4.75	0	0.44
8540-0791	22	1.13	3	4.75	0	0.44

Code	Price	H	W	D	Volume (ft ³)	Weight (lb)
lock and key						
GEN-LOCK-CORE-KEY	21					