



Cosmo Pricebook

Oct 2023

Contract Number: PC70284

Contents

Overview	v
the line-up	vi
product overview	x
features and benefits	xi
variable height panel combinations	xii
maximum span of panels	xiii
electrical cable length calculation	xiv
storage capacity and handle options	xv
caution	xvi
Panel Frames	16
panel frame	18
panel frame for full acrylic panel	20
panel frame with countertop capability	22
panel frame with flip-up capability	24
stack-on panel frame	26
panel door	28
acrylic sliding door	29
lockable acrylic sliding door	30
end trim	31
wall-to-panel connector	32
t-connection filler	34
90-degree filler	35
180-degree connection filler	36
135-degree 2-way connector	37
120-degree 2-way connection filler	38
120-degree 3-way connection filler	40
4-way connection filler	41
floor grippers	42
Tiles	44
acoustic tackable fabric tile	46
monolithic fabric tile	50
acrylic tiles	54
magnetic whiteboard tile	57
laminated tile	58
monolithic laminated tile	60
monolithic laminated tile	62
perforated metal tile	66
pass-through tile	68
fabric flip-up belt-line tile	69
accessory tile	70

Worksurfaces	74
straight worksurface	76
straight worksurface with power grommet	80
wave return with straight end	82
wave return with curved end	86
extended corner with curved front	90
angled worksurface with curved front	92
flexed worksurface with curved front	94
5-sided corner worksurface with straight front	96
5-sided corner worksurface with curved front	98
6-sided corner worksurface	99
panel-mounted d-table	100
panel-mounted p-table	102
panel-mounted j-table	104
panel-mounted y-table	106
c-table extension	108
u-table extension	109
bridge worksurface	110
radiused extended surface	112
tempered glass transaction top	113
laminated countertop	114
Worksurface Supports	116
cantilever arm	118
universal bracket	119
single post	120
horizontal surface support	121
laminated gable	122
intermediate gable	123
open metal gable	124
Mounted Storage	126
panel-mounted flipper cabinet	128
suspended flipper cabinet	130
wall mounted flipper cabinet	132
top mounted shared open shelf	134
cubby storage	136
open metal shelf	137
overhead back bracket	138
double channel wall mount bracket kit	139

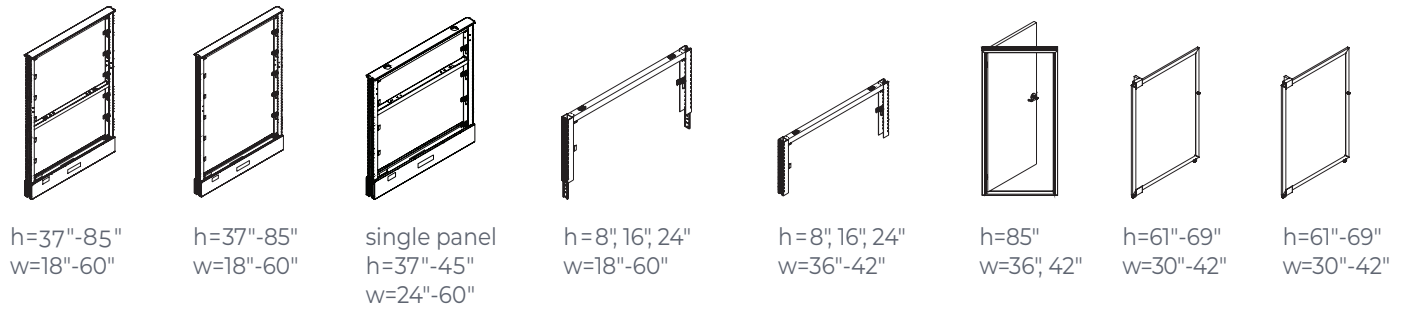
Freestanding Storage	140
mobile pedestal	142
mobile pedestal with seat	143
freestanding pedestal	144
freestanding joined pedestal	145
freestanding lateral file	146
freestanding lateral file	147
closed storage tower	148
open storage tower with wardrobe	149
closed storage tower with closet	150
file/file/file storage tower	151
single door storage cabinet	152
double door storage tower	154
combination cabinet	155
Storage	156
end gable pedestal	158
underdesk pedestal	159
underworksurface open shelf	160
underdesk joined pedestal	161
underdesk lateral file	162
underdesk storage cabinet	163
Accessories	164
work organizers	166
accessory bar	167
pencil tray	168
coat hook	169
keyboard tray	170
monitor arm	171
top trim mounted privacy screen	172
wall mounted tackboard	174
worksurface edge mounted screen	178
panel mounted privacy screen	180
Electrics, Communication & Lighting	186
task light	188
power modules	189
electric starter harness	190
monitor arm	191
communication kit	191
power pole	192
belt-line electrics power module	194
horizontal wire manager	195
connector harness	196
male/female extension harness	198

the line-up	vi
product overview	x
features and benefits	xi
variable height panel combinations	xii
maximum span of panels	xiii
electrical cable length calculation	xiv
storage capacity and handle options	xv
Caution	xvi

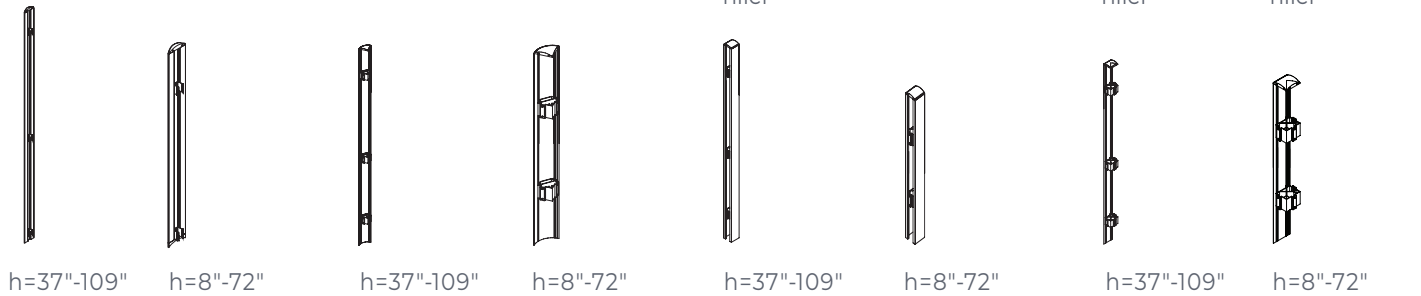
the line-up

Panel Frames and Connectors

standard panel frame full acrylic panel frame countertop capability regular stack-on frame door stack-on frame panel door acrylic sliding door lockable acrylic sliding door



full end trim partial end trim full 90° filler partial 90° filler full 180° connection filler partial 180° connector full t-connection filler partial t-connection filler



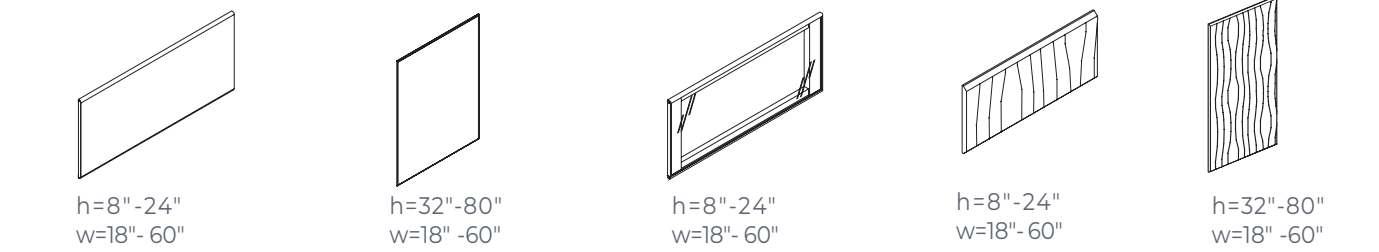
full 135° 2-way connector full 120° 2-way connector partial 120° 2-way connector full 120° 3-way connector full 4-way connector wall to panel connector floor grippers



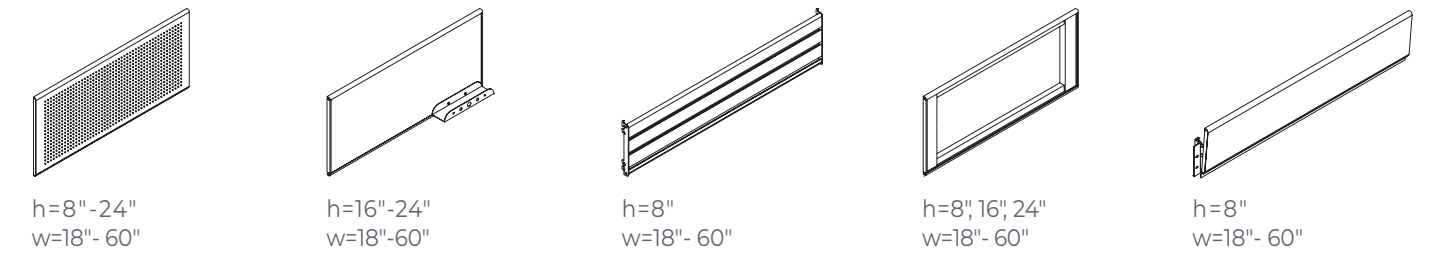
the line-up

Tiles

acoustic tackable fabric tile monolithic fabric tile acrylic tile laminate tile monolithic laminate tile

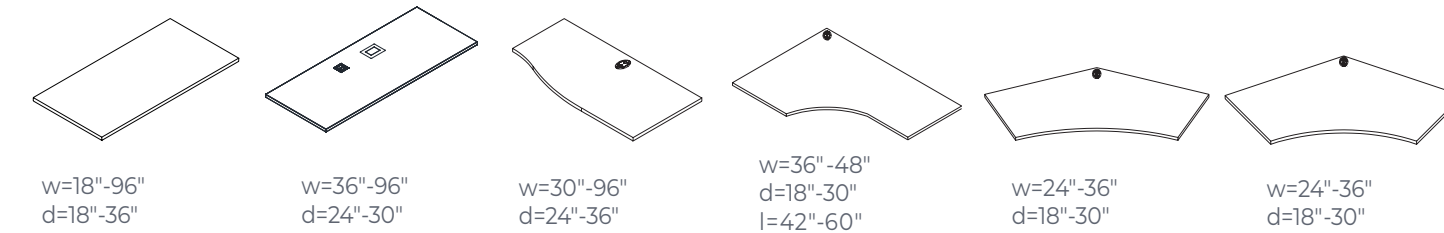


perforated metal tile magnetic whiteboard tile accessory tile pass-through tile belt-line access tile



Worksurfaces

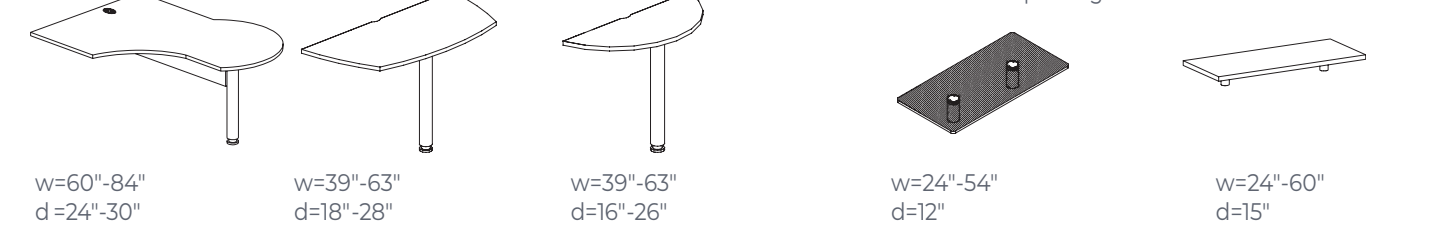
straight worksurface straight worksurface wave return worksurface extended corner with curved front 135° worksurface with curved front 120° worksurface with curved front



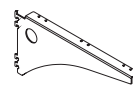
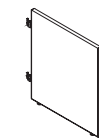
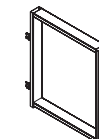


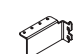
5-sided corner worksurface with curved front 6-sided corner worksurface panel mounted d-table j-table p-table



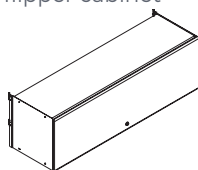
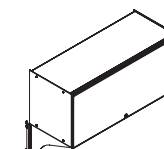
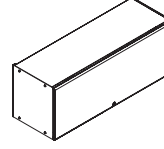
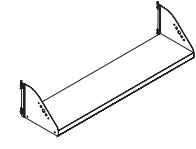

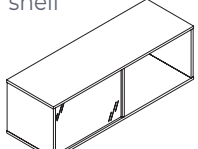
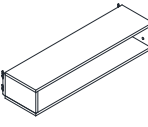
y-table u-table extension c-table extension tempered glass transaction top-straight laminate countertop

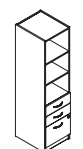
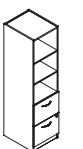
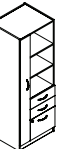
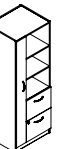

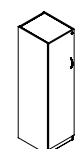
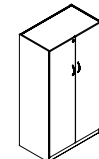
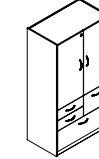
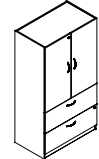


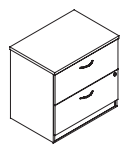

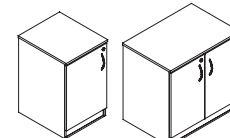
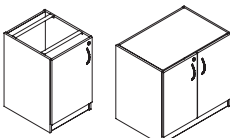
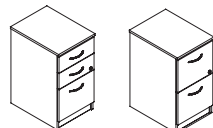
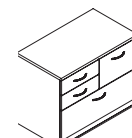
Worksurface Supports

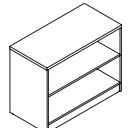
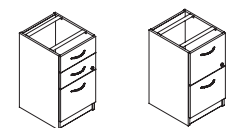
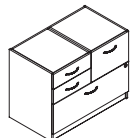
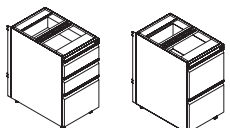
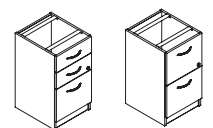


cantilever arm  d=16"-22"	laminated gable  d=12"-36"	open metal gable  d=12"-30"	single post  d=54"-78"	horizontal surface support  d=54"-78"	universal bracket t-kit 
---	---	--	---	---	--

Storage

panel-mounted flipper cabinet  w=30"-60" d=14"	suspended flipper cabinet  w=30"-60" d=14"	wall mounted flipper cabinet  w=30"-60" d=14"	open metal shelf  w=24"-60" d=12"	overhead back bracket  w=24"-60"	top mounted shared open shelf  w=30"-87" d=16"	cubby storage  w=24"-48" d=11"
---	--	---	---	--	--	--



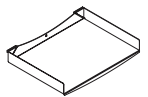
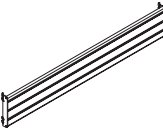
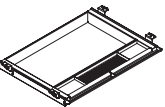
Open Storage Tower		Closed Storage Tower		Storage Tower	Cabinet coat bar	Double cabinet with shelves	Combination cabinet joined pedestal lateral file left-hand	
box/box/file file/file wardrobe wardrobe	file/file wardrobe wardrobe	file/file left-hand left-hand	box/box/file wardrobe wardrobe	file/file/file			left-hand	
								
h=66" w=18" d=21"	h=66" w=24" d=21"	h=66" w=24" d=21"	h=66" w=24" d=21"	h=42" w=18" d=21"	h=66" w=18"-24" d=21"	h=66" w=36" d=21"	h=66" w=36" d=21"	h=66" w=30"-36" d=21"

Freestanding Lateral File Cabinet  h=2, 3, 4 drawer w=30"-42" d=21"	Underdesk Lateral File Cabinet  h=2 drawer w=30"-42" d=21"	Freestanding Cabinet single door double door  w=18"-36" w=30"-36"	Underdesk Cabinet single door double door  w=18"-36" w=30"-36"	Freestanding Pedestal box/box/file file/file  w=16" d=21"	Joined pedestal  w=36" d=21"
---	---	--	--	--	---

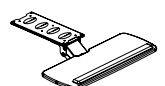
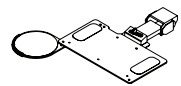
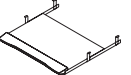


Underdesk Open Shelf  w=24"-96" d=18"	Underdesk pedestal box/box/file file/file  w=16" d=18"	Joined pedestal  w=36" d=21"	Underdesk metal pedestal box/box/file file/file  w=15" d=24", 30"	End Gable pedestal box/box/file file/file  w=16" d=24", 30"	Mobile pedestal box/file  w=17" d=23"	Mobile pedestal with seat box/file  w=17" d=23"
--	---	---	--	---	--	--

Accessories

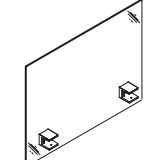
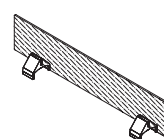
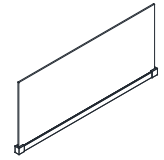


Work Organizers

pen holder 	paper sorter 	paper tray 	accessory rail  w = 9", 13"	pencil drawer  w = 18" - 60"
---	---	---	--	---

Ergonomic Accessories

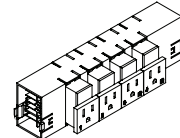
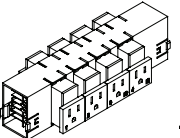
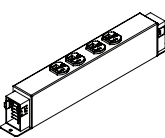
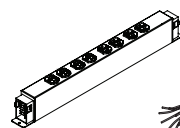



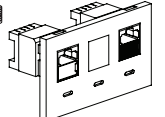
adjustable keyboard tray 	adjustable keyboard tray with mouse 	retractable keyboard tray 	monitor arm single mount 	monitor arm double mount 
---	--	--	---	---

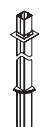
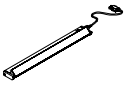
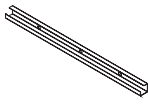
Enhancements

worksurface edge mounted screen  w = 24" - 90" h = 22"	top trim mounted privacy screen  w = 18" - 60" h = 8", 16"	acrylic and glass screen  h = 8" - 16" w = 18" - 60"	coat hook 	hang-on nameplate 
---	---	---	--	--

Electrics, Communication & Lighting

Power & Data

single-sided power base module 	double-sided power base module 	4 outlets belt-line module 	8 outlets belt-line module 	electric starter 	connector harness 	male/female extension 	communications module configuration 1 
				l = 72" or 168"	l = 22" - 181"	l = 44" or 122"	

Wire Management	Lighting
power poles  h = 72" - 144"	storage mounted task light  w = 24" - 48"
wire manager  w = 12" - 72"	

product overview



Cosmopolitan is an environment within a workplace. Characterized by a unique upgraded system of segmented and monolithic tiles and streamlined furniture, Cosmopolitan caters to evolving spatial relationships and the modular needs of modern business.

Cosmopolitan's tiles are stackable and are offered in a variety of fabrics and finishes to complement any space.

The hinged access door discreetly conceals electrical wires, opens easily with one hand and stays open while access is required.

Durable laminate worksurfaces in a variety of shapes offer flexibility in space planning and are available in solids, patterns and wood grains with matching vinyl edge trims.

A selection of accessories round out the line, including: whiteboards, pencil drawers, task lighting, paper trays, pencil holders and more.

pedestals

All pedestal drawers are outfitted with full extension slides. Drawers can be easily removed by releasing the small catches on either side of the slide. Pedestals come standard with locks. One lock will lock both file drawers in a file/file pedestal and one box drawer and the file drawer in the box/box/file pedestal. File drawers will accommodate legal or letter sized documents.

freestanding storage and combo cabinets

Various combination filing and storage units provide a place to store personal items and documents to suit any individual's needs.

Cabinets are offered in a variety of solid, pattern and wood grain laminates and are available with or without doors. Cabinets with doors include locks.

default vinyl color selections

Each laminate comes with matching vinyl trim color unless otherwise specified on the purchase order. Refer to the laminate finish card for details.

accessories

Computer accessories include flat screen monitor arms, articulating keyboard trays and CPU holders.

Heavy duty flat screen monitor arms adjust to the user while storing wire within the arm. The monitor arm mounting plate meets VESA standards to accommodate most monitors. Monitor arms can be grommet or clamp mounted to the worksurface. Articulating and retractable keyboard trays and mobile or underdesk mounted CPU holders complete the workstation.

handle details

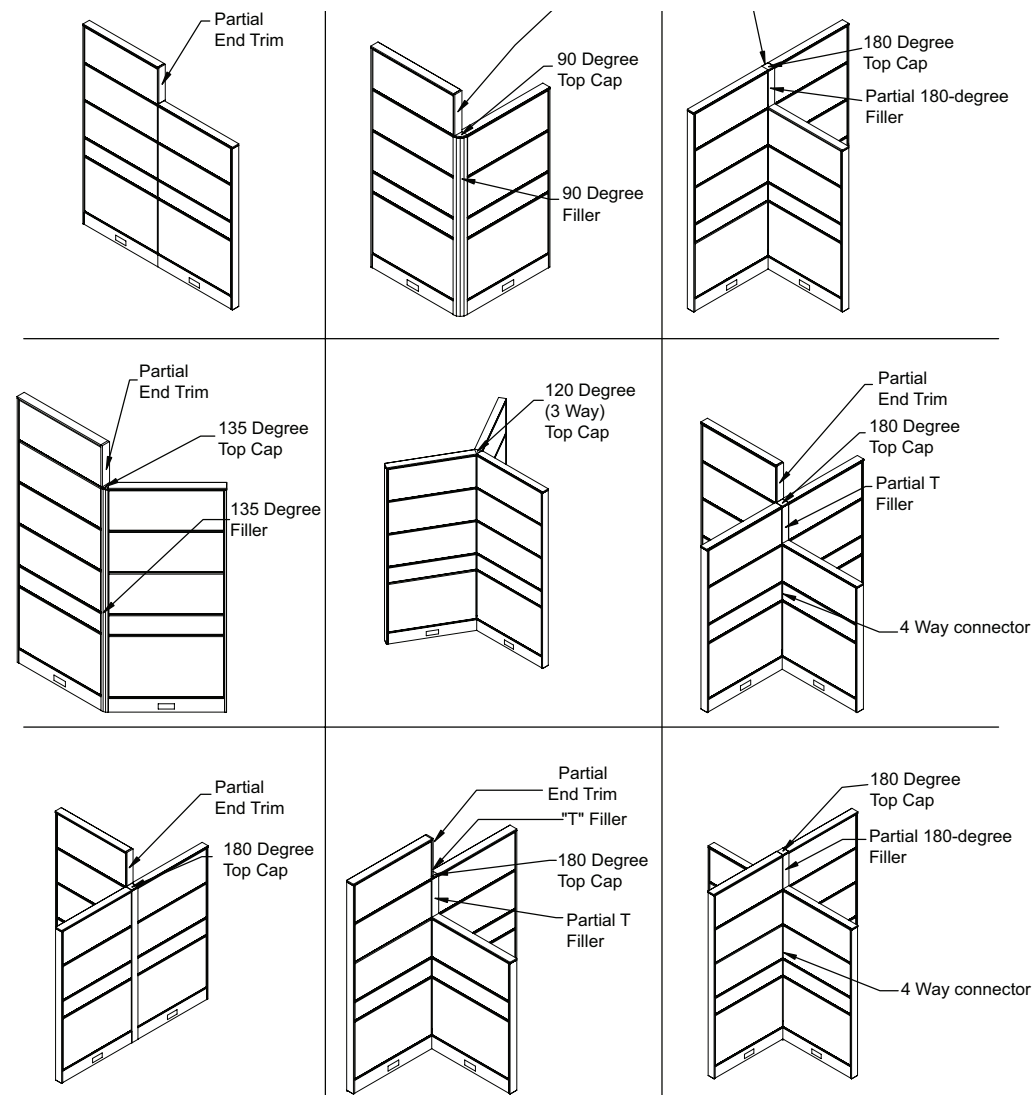
Six handle options are available in a brushed nickel finish. Melbourne is the standard handle option unless otherwise specified on your purchase order. Handles are five inches in length.

features and benefits

FEATURES	BENEFITS
<ul style="list-style-type: none"> ◇ tackable, load-bearing frames 	<ul style="list-style-type: none"> ◇ Flexibility to reconfigure as privacy requirements change, lowering the cost of ownership and reducing inventory levels ◇ Accommodates mounted storage
<ul style="list-style-type: none"> ◇ Tiles are offered in a variety of fabrics and finishes 	<ul style="list-style-type: none"> ◇ Complements existing furniture or infrastructure ◇ Finish offering allows for easy customization or personalization of an environment
<ul style="list-style-type: none"> ◇ The belt-line hinged electrical access door easily opens with one hand and stays open while access is required 	<ul style="list-style-type: none"> ◇ Discreetly conceals electrical and data cables at the belt-line ◇ Provides comfortable access to power and data for the user
<ul style="list-style-type: none"> ◇ Complemented by a selection of accessories including whiteboards, keyboard drawers, task lighting, paper trays, pencil holders, etc. 	<ul style="list-style-type: none"> ◇ Enhances the functionality of a workspace in a multi-task environment ◇ Facilitates paper management in a workstation
<ul style="list-style-type: none"> ◇ Durable laminate worksurfaces in a variety of shapes and colors ◇ 1-inch or 1.5-inch thickness option 	<ul style="list-style-type: none"> ◇ Increases space planning possibilities ◇ Adds distinction to private offices
<ul style="list-style-type: none"> ◇ A variety of acrylic options for tiles 	<ul style="list-style-type: none"> ◇ Elevates the overall aesthetic of the system ◇ Controls the degree of privacy required in a workspace ◇ Allows access to natural light throughout the office, resulting in greater productivity
<ul style="list-style-type: none"> ◇ Metal trim and top caps 	<ul style="list-style-type: none"> ◇ Aesthetically more attractive and environmentally friendly than plastic trim
<ul style="list-style-type: none"> ◇ Tiles are mounted to the frame independently of one another and can be removed without having to remove the tiles above 	<ul style="list-style-type: none"> ◇ Ability to create a dynamic, fully functional workspace capable of addressing multiple workplace needs
<ul style="list-style-type: none"> ◇ Electrics are centrally located at the raceway level 	<ul style="list-style-type: none"> ◇ Easy to change the functionality of panel frames as the needs of the workspace evolves (i.e. increase or decrease visual and accoustical privacy, add a pass-through, tackable or accessory tiles)
<ul style="list-style-type: none"> ◇ Tiles are quality engineered from a superior gauge of steel 	<ul style="list-style-type: none"> ◇ Access to power and data will not be obstructed by items such as storage towers and pedestal
<ul style="list-style-type: none"> ◇ Panels are shipped complete with tiles installed 	<ul style="list-style-type: none"> ◇ Provides maximum strength and durability, which increases the life span of the product, and protects the end user's investment ◇ Increases accuracy and reduces time of installation

variable height panel combinations

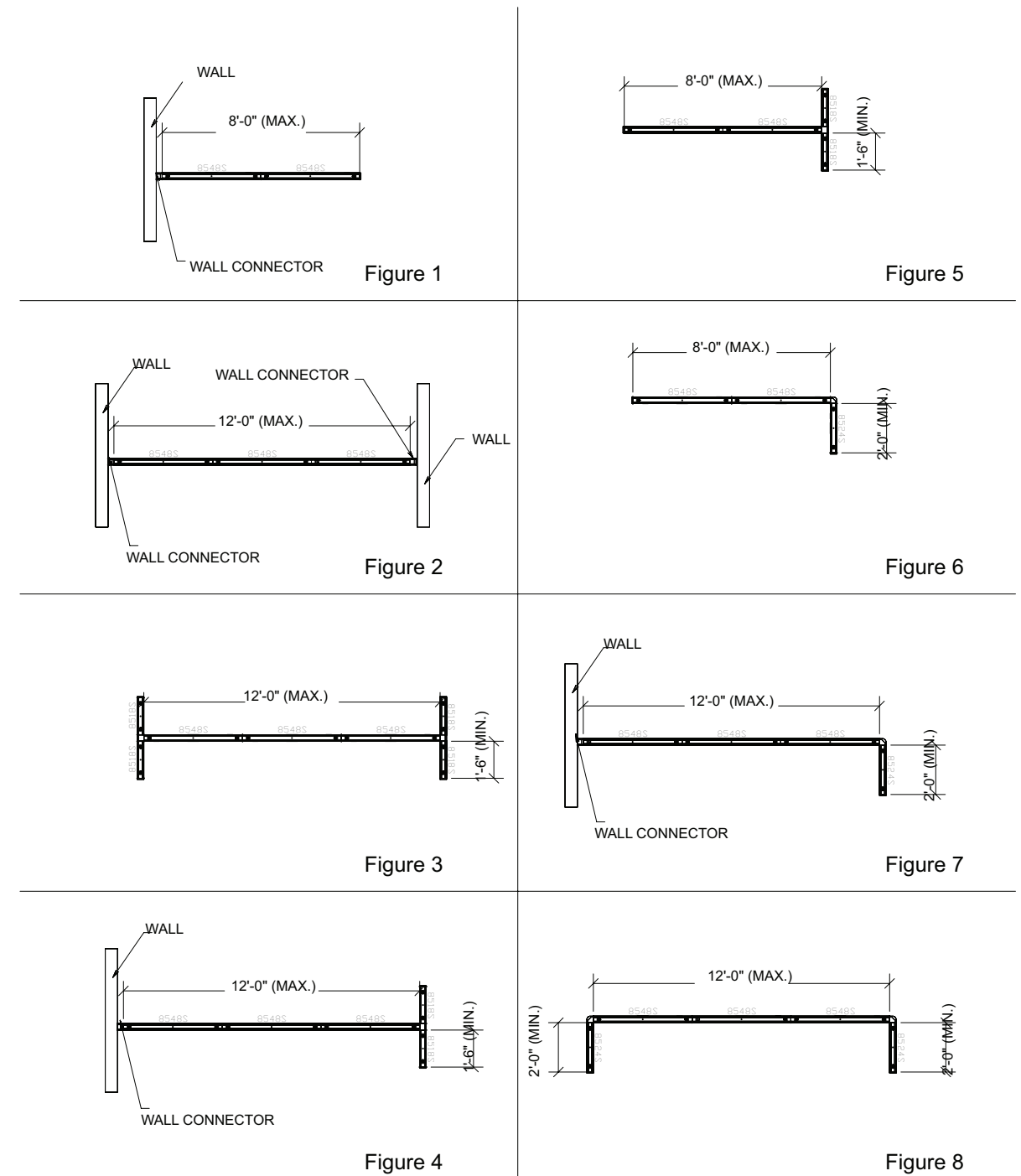
Cosmopolitan offers the flexibility of 90, 180, 120, and 135 degree connections at varying heights. Illustrated below are a few connection possibilities for Cosmopolitan panel frames.



maximum span of panels

When specifying Cosmopolitan, it is important to be mindful of the width that panels are required to span. The following examples illustrate the maximum width that panels can span before they need to be supported by a return panel or wall.

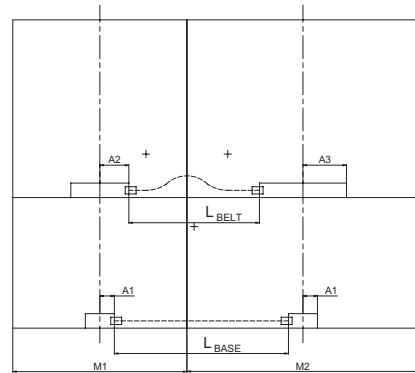
Maximum Span of Panels



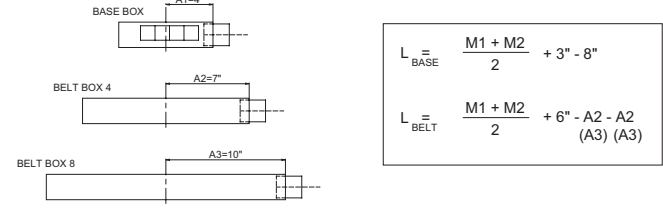
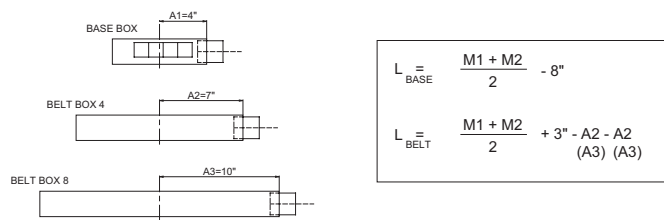
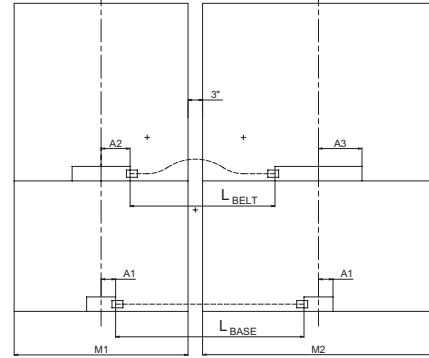
electrical cable length calculation

Use the following diagrams to calculate baseline and belt-line cabling requirements.

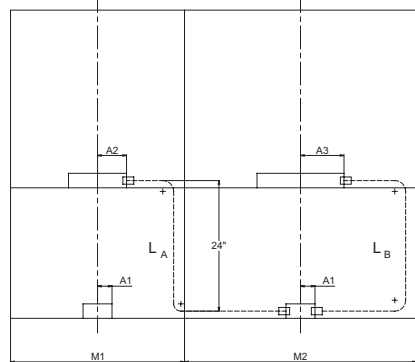
electrical cable length calculation on a straight panel connection



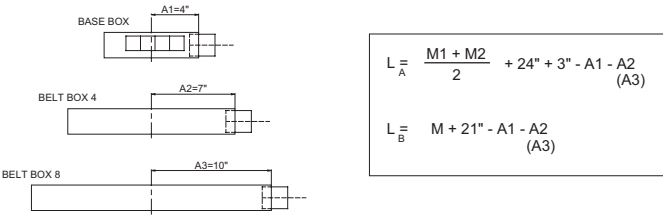
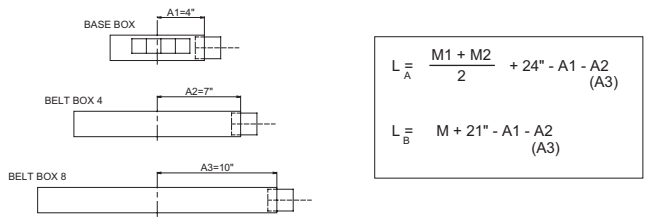
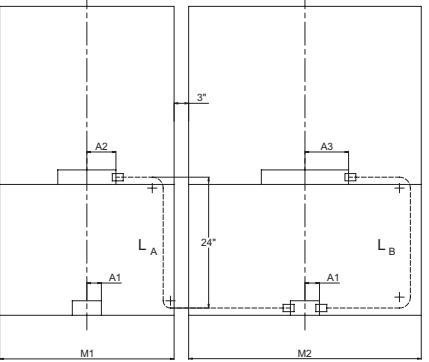
electrical cable length calculation on a corner, T- or X-panel connection



electrical cable length calculation on a straight panel connection



electrical cable length calculation on a corner, T- or X-panel connection



storage capacity and handle options

storage capacities

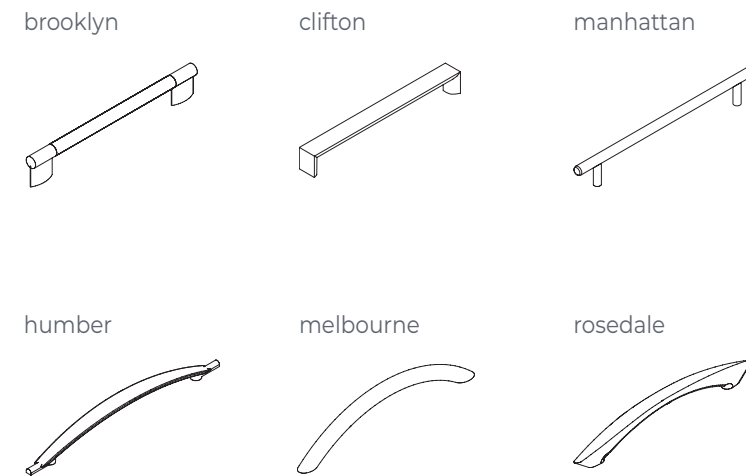
lateral file drawers

- Lateral File Drawer (36W & 42W)
 - Legal filing - front to back
 - Underdesk: 15"
 - Freestanding: 15"
- Lateral File Drawer (36W & 42W)
 - Legal filing - side to side
 - Letter filing - front to back
 - Underdesk: 15"
 - Freestanding: 15"
- Lateral File Drawer (30W, 36W, & 42W)
 - Letter filing - front to back
 - Underdesk: 15"
 - Freestanding: 15"
- Lateral File Drawer (36W & 42W)
 - Letter & legal filing - front to back
 - Underdesk: 15"
 - Freestanding: 15"
- Lateral File Drawer (30W, 36W, & 42W)
 - Legal filing - side to side
 - Underdesk: 30W-25 1/2", 36W-31 1/2", 42W-37 1/2"
 - Freestanding: 30W-25 1/2", 36W-31 1/2", 42W-37 1/2"

box drawer

- Box Drawer
- File Drawer
- File Drawer

handle options



Caution

Load Bottom Drawer First

- ◇ Operate one drawer at a time
- ◇ Units may tip if loaded incorrectly
- ◇ Units should be attached to a wall or other furniture to reduce tipping hazard
- ◇ Always load the heaviest files in the bottom drawer

Heavy Load

- ◇ Some products must be anchored to wall to ensure stability & safety.
- ◇ It is the owner and installers responsibility to ensure that the wall type and construction is of sufficient strength to carry the loads of any wall mounted products and their contents.
- ◇ Failure of the wall and anchors to support all imposed loads may result in property damage and/or personal injury.
- ◇ Tayco can provide size and empty weight of its products only. As wall blocking is considered a building construction process, Tayco cannot provide recommendations in this respect and cannot be responsible for damage or injury that may occur as a result of improper installation and/or blocking.

Instability Hazard

Mobile items on casters such as flip top, personal and movable tables of any type and storage items of any type may present an instability hazard if not secured correctly while in use or in storage. Flip top tables or training tables of any type, are inherently more unstable when folded. Tayco provides the following guidelines & warnings when using mobile products:

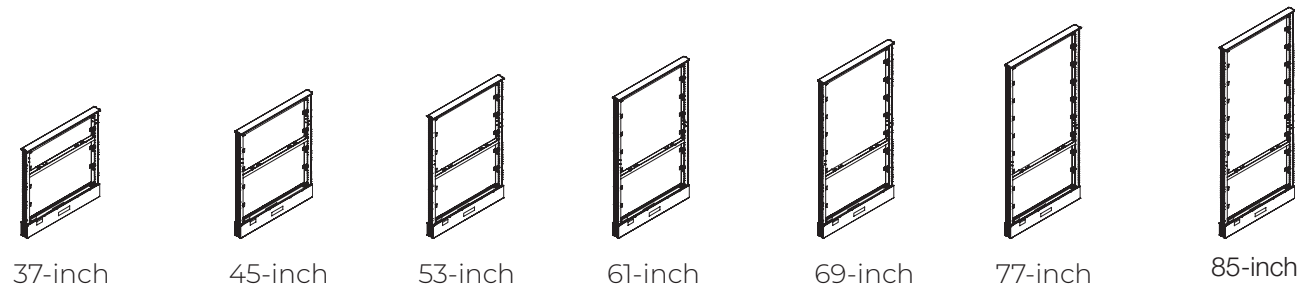
- ◇ Lock casters immediately after moving. Do not leave the casters unlocked when in use or in storage.
- ◇ Motion may increase the instability of any item with casters. If the wheels hit an obstruction the table's forward momentum often causes overturn, especially if the item is not equipped with wheel extensions. Exercise strong caution while moving these items.
- ◇ Use caution when abrupt level changes in the floor are present (such as a doorway or room threshold) as caster failure or tipping may result.
- ◇ Do not stand, sit or lean on mobile items for support. They are not intended for this use and personal injury or property damage may result.
- ◇ Mobile units that feature height adjustable elements must be lowered to the minimum compressed height when moving to prevent instability. It is also recommended the user remove all computer equipment or other accessories to prevent possible weight imbalance or damage to equipment.
- ◇ Failure to follow the guidelines above may result in property damage or personal injury.



Cosmo Pricebook
Oct 2023
Panel Frames

panel frames and connectors

panel frame	18
panel frame for full acrylic panel	20
panel frame with countertop capability	22
panel frame with flip-up capability	24
stack-on panel frame	26
panel door	28
acrylic sliding door	29
lockable acrylic sliding door	30
end trim	31
wall-to-panel connector	32
t-connection filler	34
90-degree filler	35
180-degree connection filler	36
135-degree 2-way connector	37
120-degree 2-way connection filler	38
120-degree 3-way connection filler	40
4-way connection filler	41
floor grippers	42



What's Included:

Panel frame, metal base raceway, metal to metal connection hardware

How to Specify:

Specify panel trim finish.

The color of the raceway defaults to the color of the top trim when a metal color is specified.

Notes:

Any Cosmo stack-on frame of the same width can be stacked on top of this panel frame.

An 8 wire, 4 circuit electrical system is available for the base-line or belt-line. 37-inch panel frames do not accommodate a flip-up belt-line tile. Specify the panel frame with flip-up capability [page 26](#) when this function is required.

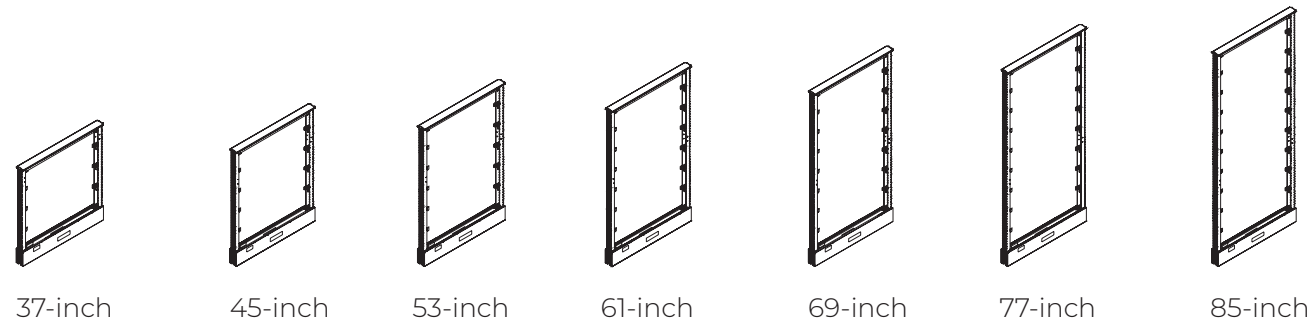
Power and communications November be run into the panel frame using either a power pole or an electrical harness. See the electric, communication, and lighting section for details.

The metal frame is only available in black.

Options:

height	37, 45, 53, 61, 69, 77, 85
width	18, 24, 30, 36, 42, 48, 54, 60
top cap finish	metal colors
panel trim	style
power	8 wire 4 circuit electrical system (to be specified separately)

Code	Price	H (in.)	W (in.)	Weight (lb.)	Volume (ft ³)	Code	Price	H (in.)	W (in.)	Weight (lb.)	Volume (ft ³)
C-PF00-3718	290	37	18	14.6	1.2	C-PF00-6142	461	61	42	27.8	4.7
C-PF00-3724	323	37	24	16.5	1.7	C-PF00-6148	491	61	48	29.8	5.4
C-PF00-3730	350	37	30	18.5	2.1	C-PF00-6154	517	61	54	31.8	6
C-PF00-3736	382	37	36	20.5	2.4	C-PF00-6160	546	61	60	33.7	6.7
C-PF00-3742	410	37	42	22.4	2.9	C-PF00-6918	360	69	18	21.8	2.3
C-PF00-3748	435	37	48	24.4	3.3	C-PF00-6924	391	69	24	23.7	3
C-PF00-3754	468	37	54	26.4	3.7	C-PF00-6930	418	69	30	25.7	3.8
C-PF00-3760	496	37	60	28.3	4.1	C-PF00-6936	447	69	36	27.7	4.5
C-PF00-4518	309	45	18	16.4	1.5	C-PF00-6942	475	69	42	29.6	5.3
C-PF00-4524	340	45	24	18.3	2	C-PF00-6948	504	69	48	31.6	6.1
C-PF00-4530	365	45	30	20.3	2.5	C-PF00-6954	534	69	54	33.6	6.8
C-PF00-4536	397	45	36	22.3	3	C-PF00-6960	563	69	60	35.5	7.6
C-PF00-4542	426	45	42	24.2	3.5	C-PF00-7718	375	77	18	23.6	2.5
C-PF00-4548	452	45	48	26.2	4	C-PF00-7724	404	77	24	25.5	3.4
C-PF00-4554	482	45	54	28.2	4.5	C-PF00-7730	432	77	30	27.5	4.2
C-PF00-4560	510	45	60	30.1	5	C-PF00-7736	463	77	36	29.5	5.1
C-PF00-5318	325	53	18	18.2	1.8	C-PF00-7742	492	77	42	31.4	5.9
C-PF00-5324	354	53	24	20.1	2.3	C-PF00-7748	519	77	48	33.4	6.7
C-PF00-5330	384	53	30	22.1	2.9	C-PF00-7754	547	77	54	35.5	7.6
C-PF00-5336	413	53	36	24.1	3.5	C-PF00-7760	579	77	60	37.3	8.4
C-PF00-5342	442	53	42	26	4.1	C-PF00-8518	391	85	18	25.4	2.8
C-PF00-5348	470	53	48	28	4.7	C-PF00-8524	420	85	24	27.3	3.7
C-PF00-5354	498	53	54	30	5.3	C-PF00-8530	448	85	30	29.3	4.6
C-PF00-5360	530	53	60	31.9	5.19	C-PF00-8536	476	85	36	31.3	5.6
C-PF00-6118	343	61	18	20	2	C-PF00-8542	506	85	42	33.2	6.5
C-PF00-6124	375	61	24	21.9	2.7	C-PF00-8548	535	85	48	35.2	7.4
C-PF00-6130	402	61	30	23.9	3.4	C-PF00-8554	564	85	54	37.2	8.3
C-PF00-6136	431	61	36	25.9	4	C-PF00-8560	594	85	60	39.1	9.3



What's Included:

Panel frame for acrylic panel, metal base raceway, metal to metal connection hardware.

How to Specify:

Specify panel trim finish.

The color of the raceway defaults to the color of the top trim when a metal color is specified.

Notes:

An 8 wire, 4 circuit electrical system is available at the base-line.

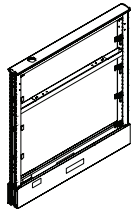
Power and communications November be run into the panel frame using either a power pole or an electrical harness. See the electric, communication, and lighting section for details.

The metal frame is only available in black.

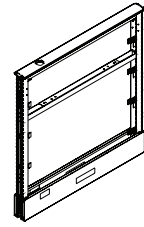
Options:

height	37, 45, 53, 61, 69, 77, 85
width	18, 24, 30, 36, 42, 48, 54, 60
top cap finish	metal colors
panel trim	style
power	8 wire 4 circuit electrical system (to be specified separately)

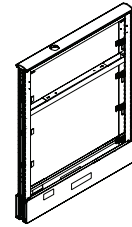
Code	Price	H (in.)	W (in.)	Weight (lb.)	Volume (ft ³)	Code	Price	H (in.)	W (in.)	Weight (lb.)	Volume (ft ³)
C-PFG0-3718	288	37	18	14.6	1.2	C-PFG0-6142	451	61	42	27.8	4.7
C-PFG0-3724	317	37	24	16.5	1.7	C-PFG0-6148	476	61	48	29.8	5.4
C-PFG0-3730	343	37	30	18.5	2.1	C-PFG0-6154	506	61	54	31.8	6
C-PFG0-3736	374	37	30	20.5	2.4	C-PFG0-6160	534	61	60	33.7	6.7
C-PFG0-3742	399	37	42	22.4	2.9	C-PFG0-6918	358	69	18	21.8	2.3
C-PFG0-3748	427	37	48	24.4	3.3	C-PFG0-6924	385	69	24	23.7	3
C-PFG0-3754	452	37	54	26.4	3.7	C-PFG0-6930	413	69	30	25.7	3.8
C-PFG0-3760	482	37	60	28.3	4.1	C-PFG0-6936	440	69	36	27.7	4.5
C-PFG0-4518	306	45	18	16.4	1.5	C-PFG0-6942	469	69	42	29.6	5.3
C-PFG0-4524	334	45	24	18.3	2	C-PFG0-6948	493	69	48	31.6	6.1
C-PFG0-4530	361	45	30	20.3	2.5	C-PFG0-6954	521	69	54	33.6	6.8
C-PFG0-4536	389	45	36	22.3	3	C-PFG0-6960	547	69	60	35.5	7.6
C-PFG0-4542	415	45	42	24.2	3.5	C-PFG0-7718	373	77	18	23.6	2.5
C-PFG0-4548	443	45	48	26.2	4	C-PFG0-7724	399	77	24	25.5	3.4
C-PFG0-4554	472	45	54	28.2	4.5	C-PFG0-7730	427	77	30	27.5	4.2
C-PFG0-4560	498	45	60	30.1	5	C-PFG0-7736	457	77	36	29.5	5.1
C-PFG0-5318	321	53	18	18.2	1.8	C-PFG0-7742	482	77	42	31.4	5.9
C-PFG0-5324	349	53	24	20.1	2.3	C-PFG0-7748	509	77	48	33.4	6.7
C-PFG0-5330	377	53	30	22.1	2.9	C-PFG0-7754	536	77	54	35.5	7.6
C-PFG0-5336	404	53	36	24.1	3.5	C-PFG0-7760	567	77	60	37.3	8.4
C-PFG0-5342	431	53	42	26	4.1	C-PFG0-8518	386	85	18	25.4	2.8
C-PFG0-5348	460	53	48	28	4.7	C-PFG0-8524	415	85	24	27.3	3.7
C-PFG0-5354	484	53	54	30	5.3	C-PFG0-8530	443	85	30	29.3	4.6
C-PFG0-5360	515	53	60	31.9	5.9	C-PFG0-8536	472	85	36	31.3	5.6
C-PFG0-6118	341	61	18	20	2	C-PFG0-8542	498	85	42	33.2	6.5
C-PFG0-6124	367	61	24	21.9	2.7	C-PFG0-8548	527	85	48	35.2	7.4
C-PFG0-6130	397	61	30	23.9	3.4	C-PFG0-8554	549	85	54	37.2	8.3
C-PFG0-6136	425	61	36	25.9	4	C-PFG0-8560	582	85	60	39.1	9.3



Capability: single panel



Capability: 1 hole



Capability: 54-inch countertop

What's Included:

Panel frame with countertop capability, metal base raceway, metal to metal connection hardware.

How to Specify:

Specify panel trim finish.

Specify this item when a 37-inch high or 45-inch high panel with countertop capabilities is required, but an electrical access door is not needed.

When a 54-inch countertop is supported by a 30-inch wide panel and a 24-inch wide panel, the hole in the 30-inch panel will be located 6 inches away from the end of the panel. When two 30-inch wide panels are used to support a 54-inch wide countertop, the holes will be located 9 inches away from the end of the panel. A 60-inch panel has two holes located 9 inches away from the ends of the panel to accommodate 54-inch wide countertops.

The color of the raceway defaults to the color of the top trim when a metal color is specified.

Notes:

An 8 wire, 4 circuit electrical system is available at the base-line. For belt-line, specify the panel frame with flip-up capabilities [page 26](#).

Power and communications November be run into the panel frame using either a power pole or an electrical harness. See the electrics, communication, and lighting section for details.

2 holes are used when a single panel frame is supporting a countertop of the same width.

1 hole, 6 inches away from the end of the panel frame is used when two panels are supporting a countertop equal to the sum of their widths.

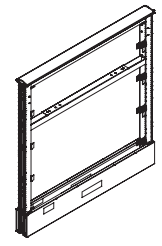
1 hole, 9 inches away from the end of the panel frame is used when two 30-inch wide panels are supporting a 54-inch countertop.

The metal frame is only available in black.

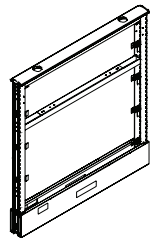
Options:

height	37, 45
width	18, 24, 30, 36, 42, 48, 54, 60
top cap finish	metal colors

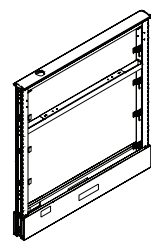
Code	Price	H (in.)	W (in.)	Weight (lb.)	Volume (ft ³)
37-inches High With Countertop Capability					
C-PF00-3724-C	334	37	24	17.6	1.7
C-PF00-3730-C	363	37	30	19.9	2.1
C-PF00-3736-C	394	37	36	22.2	2.5
C-PF00-3742-C	424	37	42	24.4	2.9
C-PF00-3748-C	450	37	48	26.7	3.31
C-PF00-3754-C	480	37	54	29	3.7
C-PF00-3760-C	507	37	60	31.3	4.1
37-inches High With Countertop Capability, Side-By-Side Panels					
C-PF00-3718-1	306	37	18	15.4	1.2
C-PF00-3724-1	334	37	24	17.6	1.7
C-PF00-3730-1	363	37	30	19.9	2.1
37-inches High With 54-inch High Countertop Capability, Side-By-Side Panels					
C-PF00-3730-1-P	363	37	30	19.9	2.1
45-inches High With Countertop Capability					
C-PF00-4524-C	349	45	24	17.6	1.7
C-PF00-4530-C	378	45	30	19.9	2.1
C-PF00-4536-C	407	45	36	22.2	2.5
C-PF00-4542-C	435	45	42	24.4	2.9
C-PF00-4548-C	464	45	48	26.7	3.3
C-PF00-4554-C	493	45	54	29	3.7
C-PF00-4560-C	525	45	60	31.3	4.1
45-inches High With Countertop Capability, Side-By-Side Panels					
C-PF00-4518-1	318	45	18	15.37	1.5
C-PF00-4524-1	349	45	24	17.6	2
C-PF00-4530-1	378	45	30	19.9	2.1
45-inches With 54-inch Countertop Capability, Side-By-Side Panels					
C-PF00-4530-1-P	378	45	30	19.88	2.5



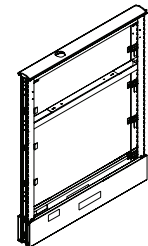
Capability:
without countertop



Capability:
single panel



Capability:
1 hole



Capability:
54-inch countertop

What's Included:

Panel frame with flip-up capability, metal base raceway, metal to metal connection hardware.

How to Specify:

Specify panel trim finish.

Specify this product when a 37-inch high panel frame with a flip-up belt line is required.

When a countertop is supported by a single panel (C), the holes will be located six inches away from the end of the panel.

When a 54-inch countertop is supported by a 30-inch wide panel and a 24-inch wide panel, the holes in the 30-inch panel will be located 6 inches away from the end of the panel. When two 30-inch wide panels are used to support a 54-inch wide countertop, the holes will be located 9 inches away from the end of the panel. A 60-inch panel has 2 holes located 9 inches away from the ends of the panel to accommodate 54-inch wide countertops.

The color of the raceway defaults to the color of the top trim when a metal color is specified.

Notes:

An 8 wire, 4 circuit electrical system is available for the base-line or belt-line.

Power and communications November be run into the panel frame using either a power pole or an electrical harness. See the electrics, communication, and lighting section [page 188](#) for details.

2 holes are used when a single panel frame is supporting a countertop of the same width.

1 hole, 6 inches away from the end of the panel frame is used when two panels are supporting a countertop equal to the sum of their widths.

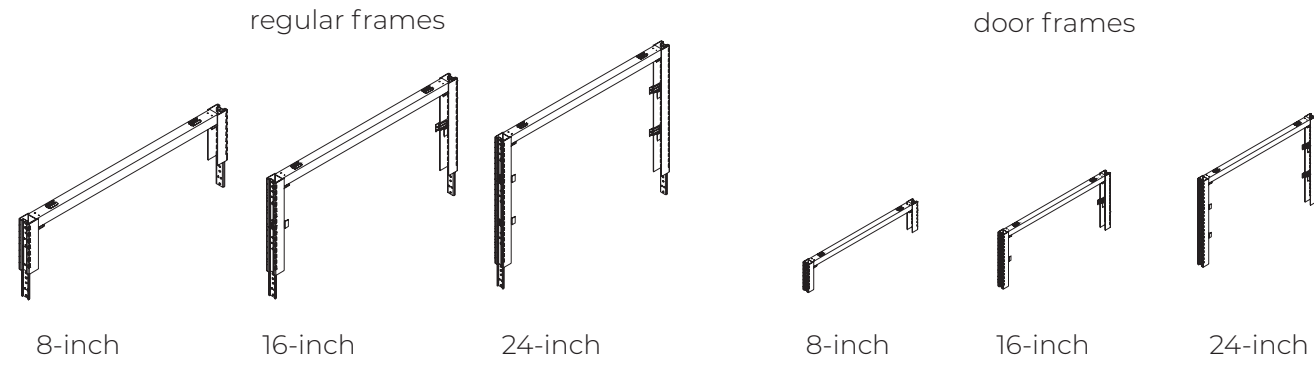
1 hole, 9 inches away from the end of the panel frame is used when two 30-inch wide panels are supporting a 54-inch countertop.

The metal frame is only available in black.

Options:

height	37
width	18, 24, 30, 36, 42, 48, 54, 60
countertop capability	without countertop with countertop
top cap finish	metal colors
raceway finish	metal colors

Code	Price	H (in.)	W (in.)	Weight (lb.)	Volume (ft ³)
37-inches High With Flip-Up					
C-PF0F-3718	306	37	18	14.6	1.2
C-PF0F-3724	334	37	24	16.5	1.7
C-PF0F-3730	363	37	30	18.5	2.1
C-PF0F-3736	394	37	36	20.5	2.4
C-PF0F-3742	424	37	42	22.4	2.9
C-PF0F-3748	450	37	48	24.4	3.3
C-PF0F-3754	480	37	54	26.4	3.7
C-PF0F-3760	507	37	60	28.3	4.1
37-inches High With Countertop Capability, Single Panel, Flip-Up					
C-PF0F-3724-C	334	37	24	17.6	1.7
C-PF0F-3730-C	363	37	30	19.9	2.1
C-PF0F-3736-C	394	37	36	22.2	2.5
C-PF0F-3742-C	424	37	42	24.4	2.9
C-PF0F-3748-C	450	37	48	26.7	3.3
C-PF0F-3754-C	480	37	54	29	3.7
C-PF0F-3760-C	507	37	60	31.3	4.1
37-inches High with Countertop Capability, Side-By-Side Panels, Flip-Up					
C-PF0F-3718-1	306	37	18	15.4	1.2
C-PF0F-3724-1	334	37	24	17.6	1.7
C-PF0F-3730-1	363	37	30	19.9	2.1
37-inches High With 54-inch Countertop Capability, Side-By-Side Panels, Flip-Up					
C-PF0F-3730-1-P	363	37	30	19.9	2.1



What's Included:

Stack-on panel frame, metal to metal connection hardware.

Notes:

Metal frame is only available in black.

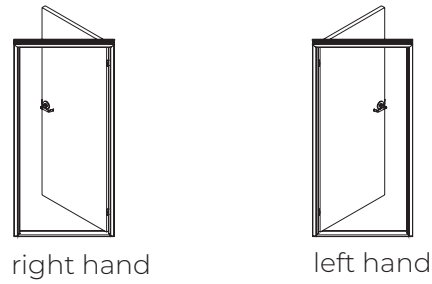
Top trim is not included. Install the top trim from the panel below.

Regular stack-on panel frame can be installed on any panel frame of the same width. Swing Door stack-on panel frame can be installed on a door of the same width between two other stackable frames or between a stackable panel frame and a panel filler.

Options:

frame type	0 regular frames 1 door frames
height	8, 16, 24
width	18, 24, 30, 36, 42, 48, 54, 60

Code	Price	H (in.)	W (in.)	Weight (lb.)	Volume (ft ³)
Regular Frame					
C-PS00-0818	105	8	18	4.4	0.3
C-PS00-0824	109	8	24	5	0.3
C-PS00-0830	117	8	30	5.7	0.4
C-PS00-0836	124	8	36	6.3	0.5
C-PS00-0842	131	8	42	6.9	0.6
C-PS00-0848	142	8	48	7.6	0.7
C-PS00-0854	146	8	54	8.2	0.8
C-PS00-0860	156	8	60	8.9	0.9
C-PS00-1618	119	16	18	6.2	0.5
C-PS00-1624	124	16	24	6.8	0.7
C-PS00-1630	131	16	30	7.5	0.9
C-PS00-1636	142	16	36	8.1	1
C-PS00-1642	146	16	42	8.7	1.2
C-PS00-1648	156	16	48	9.4	1.4
C-PS00-1654	161	16	54	10	1.5
C-PS00-1660	169	16	60	10.7	1.7
C-PS00-2418	130	24	18	8	0.8
C-PS00-2424	140	24	24	8.6	1
C-PS00-2430	144	24	30	9.3	1.3
C-PS00-2436	152	24	36	9.9	1.5
C-PS00-2442	158	24	42	10.5	1.8
C-PS00-2448	165	24	48	11.2	2.1
C-PS00-2454	174	24	54	11.8	2.3
C-PS00-2460	180	24	60	12.5	2.6
Door Frame					
C-PS01-0836	116	8	36	6.3	0.5
C-PS01-0842	121	8	42	6.9	0.6
C-PS01-1636	130	16	36	8.1	1
C-PS01-1642	141	16	42	8.7	1.2
C-PS01-2436	143	24	36	9.9	1.5
C-PS01-2442	147	24	42	10.5	1.8



What's Included:

Panel door, door frame, lever type handle, connection hardware.

How to Specify:

Specify panel trim finish.

The panel trim finish must be specified. The door and door frame are available in all paint colors and will match the color of the top trim.

Right or left hand must be specified.

Notes:

Door is powder painted MDF.

The door must be connected to 85-inch high panel frames or panel fillers.

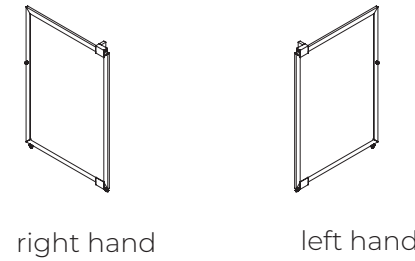
Options:

width	36, 42
hand	R right L left
door & door frame finish	metal colors
top cap finish	metal colors

How to Order and Read your Code:

C	PD00	85	36	R or L
product line	item	height	width	hand

Code	Price	H (in.)	W (in.)	Weight (lb.)	Volume (ft ³)
C-PD00-8536-L	3214	85	36	68	5.6
C-PD00-8542-L	3500	85	42	80	6.5
C-PD00-8536-R	3214	85	36	68	5.6
C-PD00-8542-R	3500	85	42	80	6.5



What's Included:

Acrylic sliding door, metal to metal connection hardware.

How to Specify:

Specify panel trim finish.

A metal color must be specified for the panel trim.

Right or left hand must be specified.

The acrylic option must be specified. When frosted or clear acrylic is specified, an upcharge is applicable.

Notes:

The sliding door height must be connected to a panel of equal height.

The acrylic sliding door provides visual privacy for individual stations.

Sliding doors must always be connected to a panel.

Options:

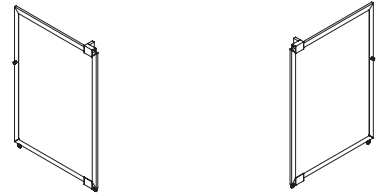
height	61, 69
width	30, 36, 42
hand	R right L left
acrylic option	Fluted Frosted* Clear*
frame finish	metal colors

How to Order and Read your Code:

C	PDSG	61	30	R or L
product line	item	height	width	hand

Code	Price	H (in.)	W (in.)	Weight (lb.)	Volume (ft ³)
C-PDSG-6130-L	2104	61	30	53	4
C-PDSG-6136-L	2182	61	36	53	4
C-PDSG-6142-L	2264	61	42	53	4.6
C-PDSG-6930-L	2201	69	30	53	4
C-PDSG-6936-L	2284	69	36	53	4.5
C-PDSG-6942-L	2360	69	42	53	5.2
*clear & frosted acrylic upcharge	548				

Code	Price	H (in.)	W (in.)	Weight (lb.)	Volume (ft ³)
C-PDSG-6130-R	2104	61	30	53	4
C-PDSG-6136-R	2182	61	36	53	4
C-PDSG-6142-R	2264	61	42	53	4.6
C-PDSG-6930-R	2201	69	30	53	4
C-PDSG-6936-R	2284	69	36	53	4.5
C-PDSG-6942-R	2360	69	42	53	5.2
*clear & frosted acrylic upcharge	548				



right hand left hand

What's Included:

Acrylic sliding door, metal to metal connection hardware.

How to Specify:

Specify panel trim finish.

A metal color must be specified for the panel trim.

Right or left hand must be specified.

The acrylic option must be specified. When frosted or clear acrylic is specified, an upcharge is applicable.

Notes:

The sliding door height must be connected to a panel of equal height.

The lockable acrylic sliding door provides visual privacy for individual stations.

Sliding doors must always be connected to a panel.

Options:

height	61, 69		
width	30, 36, 42		
lock	LK		
hand	R right L left		
acrylic option	Fluted	Frosted*	Clear*
frame finish	metal colors		

How to Order and Read your Code:

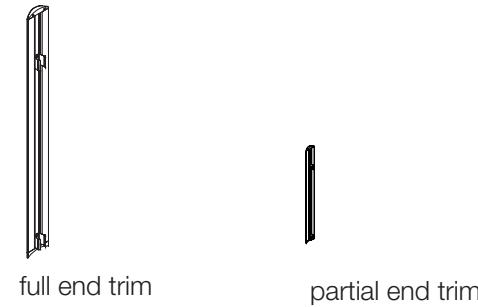
C **PDSG** **61** **30** **LK** **R or L**
 product line item height width lock hand

Code	Price	H (in.)	W (in.)	Weight (lb.)	Volume (ft ³)
C-PDSG-6130-LK-L	2428	61	30	53	4
C-PDSG-6136-LK-L	2507	61	36	53	4
C-PDSG-6142-LK-L	2584	61	42	53	4.6
C-PDSG-6930-LK-L	2527	69	30	53	4
C-PDSG-6936-LK-L	2605	69	36	53	4.5
C-PDSG-6942-LK-L	2683	69	42	53	5.2

Code	Price	H (in.)	W (in.)	Weight (lb.)	Volume (ft ³)
C-PDSG-6130-LK-R	2428	61	30	53	4
C-PDSG-6136-LK-R	2507	61	36	53	4
C-PDSG-6142-LK-R	2584	61	42	53	4.6
C-PDSG-6930-LK-R	2527	69	30	53	4
C-PDSG-6936-LK-R	2605	69	36	53	4.5
C-PDSG-6942-LK-R	2683	69	42	53	5.2

* clear & frosted acrylic upcharge 548

**clear & frosted acrylic upcharge 548



full end trim partial end trim

What's Included:

Full End Trim: full end trim, connection hardware.

Partial End Trim: partial end trim, connection hardware, bottom plastic connector trim.

How to Specify:

Specify panel trim finish.

A metal color must be specified.

Notes:

Use the full end trim to finish a panel at the end of a run.

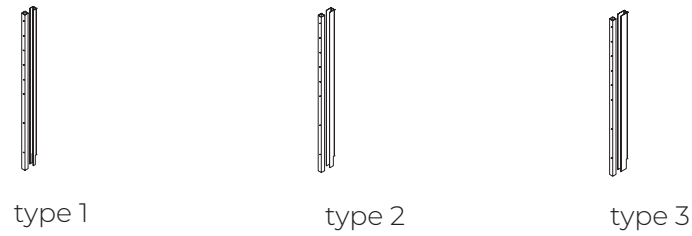
Use the partial end trim to finish a panel where a change of height occurs

Options:

height	8, 16, 24, 32, 37, 40, 45, 48, 53, 56, 61, 64, 69, 72, 77, 85, 93, 101, 109		
type	O full end trim	P partial end trim	
end trim finish	metal colors		

Code	Price	H (in.)	Weight (lb)	Volume (ft ³)
Full End Trim				
C-HET0-37	79	37	2.2	0.1
C-HET0-45	89	45	2.4	0.1
C-HET0-53	101	53	2.6	0.1
C-HET0-61	109	61	2.8	0.1
C-HET0-69	120	69	3	0.1
C-HET0-77	130	77	3.2	0.1
C-HET0-85	142	85	3.4	0.1
C-HET0-93	149	93	3.6	0.1
C-HET0-101	160	101	3.8	0.1
C-HET0-109	169	109	4	0.1

Code	Price	H (in.)	Weight (lb)	Volume (ft ³)
Partial End Trim				
C-HETP-08	44	8	1.2	0.1
C-HETP-16	53	16	1.6	0.1
C-HETP-24	63	24	2	0.1
C-HETP-32	75	32	2.4	0.1
C-HETP-40	85	40	2.8	0.1
C-HETP-48	95	48	3.2	0.1
C-HETP-56	106	56	3.4	0.1
C-HETP-64	116	64	3.6	0.1



What's Included:

Wall-to-Panel Connector (Type 1, 2 or 3, as specified), top cap, connection hardware for drywall applications.

How to Specify:

Specify panel trim finish.

A metal color must be specified for the top cap finish.

The wall-to-panel connector finish color defaults to match the top cap.

Notes:

Wall-to-panel connectors fill in the gap between the wall and the panel.

Type 1 connectors allow for an adjustment range of 2.25 to 3.25 inches

Type 2 connectors allow for an adjustment range of 3 to 4.25 inches.

Type 3 connectors allow for an adjustment range of 4 to 5.25 inches.

The top cap is 66-inches and must be cut to the proper size on-site.

Options:

type	1 - type 1	2 - type 2	3 - type 3
height	29, 37, 45, 53, 61, 69, 77, 85, 93, 101, 109		
top cap finish	metal colors		
panel trim	style		

Code	Price	H (in.)	Weight (lb.)	Volume (ft ³)
Type 1 (2.25 to 3.25-inches)				
C-HWA1-29	374	29	3.6	0.2
C-HWA1-37	261	37	1.1	0.2
C-HWA1-45	277	45	1.3	0.3
C-HWA1-53	293	53	1.5	0.3
C-HWA1-61	325	61	1.7	0.4
C-HWA1-69	341	69	1.9	0.4
C-HWA1-77	360	77	2.1	0.5
C-HWA1-85	380	85	2.3	0.5
C-HWA1-93	406	93	2.5	0.6
C-HWA1-101	425	101	2.7	0.6
Type 2 (3.00 to 4.25-inches)				
C-HWA2-29	389	29	4.2	0.34
C-HWA2-37	265	37	1.1	0.4
C-HWA2-45	282	45	1.3	0.4
C-HWA2-53	304	53	1.5	0.5
C-HWA2-61	333	61	1.7	0.6
C-HWA2-69	350	69	1.9	0.7
C-HWA2-77	373	77	2.1	0.7
C-HWA2-85	394	85	2.3	0.8
C-HWA2-93	420	93	2.5	0.9
C-HWA2-101	440	101	2.7	1
Type 3 (4.00 to 5.25-inches)				
C-HWA3-29	424	29	5.8	0.47
C-HWA3-37	270	37	1.1	0.4
C-HWA3-45	288	45	1.3	0.4
C-HWA3-53	309	53	1.5	0.5
C-HWA3-61	341	61	1.7	0.6
C-HWA3-69	361	69	1.9	0.7
C-HWA3-77	382	77	2.1	0.7
C-HWA3-85	404	85	2.3	0.8
C-HWA3-93	431	93	2.5	0.9
C-HWA3-101	451	101	2.7	1



full T-connection filler



partial T-connection filler

What's Included:

Full Filler: full t-connection filler, top cap, connection hardware.

Partial Filler: partial t-connection filler, top cap, bottom plastic connector trim, connection hardware

How to Specify:

Specify panel trim finish.

A metal color must be specified for the top cap finish.

Notes:

Use the full t-connection filler to connect two panel frames that are the same height.

Use the partial t-connection filler to connect two panel frames where a change of height occurs

Options:

type	R full filler P partial filler
height	8, 16, 24, 29, 32, 37, 40, 45, 48, 53, 56, 61, 64, 69, 72, 77, 85, 93, 101, 109
top cap finish	metal colors
panel trim	style

Code	Price	H (in.)	Weight (lb)	Volume (ft3)
Full T-Connection Filler				
C-HFTR-29	101	29	1.8	0.07
C-HFTR-37	135	37	0.5	0.2
C-HFTR-45	165	45	0.6	0.3
C-HFTR-53	178	53	0.8	0.3
C-HFTR-61	190	61	0.9	0.3
C-HFTR-69	200	69	1	0.4
C-HFTR-77	208	77	1.1	0.4
C-HFTR-85	243	85	1.2	0.5
C-HFTR-93	274	93	1.4	0.5
C-HFTR-101	282	101	1.6	0.6

Code	Price	H (in.)	Weight (lb)	Volume (ft3)
Partial T-Connection Filler				
C-HFTP-08	73	8	0.2	0.1
C-HFTP-16	85	16	0.5	0.1
C-HFTP-24	116	24	0.6	0.1
C-HFTP-32	125	32	0.9	0.2
C-HFTP-40	157	40	1.1	0.2
C-HFTP-48	168	48	1.2	0.3
C-HFTP-56	180	56	1.4	0.3
C-HFTP-64	195	64	1.6	0.4



full 90-degree filler



partial 90-degree filler

What's Included:

Full 90-degree filler: Full 90-degree filler, top cap, connection hardware.

Partial 90-degree filler: Partial 90-degree filler, top cap, bottom plastic connector trim, connection hardware.

How to Specify:

Specify panel trim finish.

A metal color must be specified for the panel trim finish.

Notes:

Use the full 90-degree filler to connect two panel frames that are the same height.

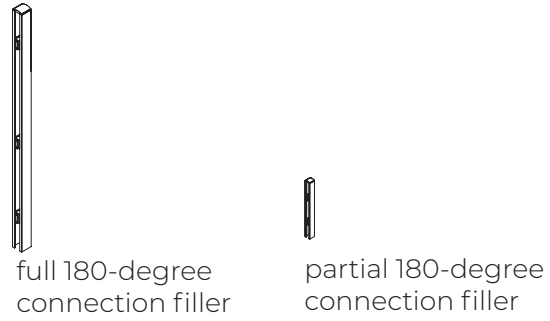
Use the partial 90-degree filler to connect two panel frames where a change of height occurs.

Options:

height	8, 16, 24, 32, 37, 40, 45, 48, 53, 56, 61, 64, 69, 72, 77, 85, 93, 101, 109
type	R full filler P partial filler
top cap finish	metal colors
panel trim	style

Code	Price	H (in.)	Weight (lb)	Volume (ft3)
Full 90-degree Filler				
C-HFNR-37	141	37	1.1	0.2
C-HFNR-45	166	45	1.3	0.3
C-HFNR-53	182	53	1.5	0.3
C-HFNR-61	198	61	1.7	0.3
C-HFNR-69	209	69	1.9	0.4
C-HFNR-77	228	77	2.1	0.4
C-HFNR-85	257	85	2.3	0.5
C-HFNR-93	283	93	2.5	0.5
C-HFNR-101	301	101	2.7	0.6

Code	Price	H (in.)	Weight (lb)	Volume (ft3)
Partial 90-degree Filler				
C-HFNP-08	72	8	0.2	0.1
C-HFNP-16	86	16	0.5	0.1
C-HFNP-24	116	24	0.6	0.1
C-HFNP-32	129	32	0.9	0.2
C-HFNP-40	158	40	1.1	0.2
C-HFNP-48	171	48	1.2	0.3
C-HFNP-56	190	56	1.4	0.3
C-HFNP-64	202	64	1.6	0.4



What's Included:

Two 180-degree connection filler covers (full or partial, as specified), top cap, connection hardware.

How to Specify:

Specify panel trim finish.

A metal color must be specified for the panel trim finish.

Notes:

Use the full 180-degree filler to connect two panels that are the same height.

Use the partial 180-degree filler to connect two panel frames where a change of height occurs

Options:

height	8, 16, 24, 32, 37, 40, 45, 48, 53, 56, 61, 64, 69, 72, 77, 85, 93, 101, 109
type	R full filler P partial filler
top cap finish	metal colors
panel trim	style

Code	Price	H (in.)	Weight (lb)	Volume (ft3)
Full 180-degree Filler				
C-HFSR-37	165	165	1.1	0.2
C-HFSR-45	200	200	1.3	0.3
C-HFSR-53	217	217	1.5	0.3
C-HFSR-61	232	232	1.7	0.3
C-HFSR-69	255	255	1.9	0.4
C-HFSR-77	270	270	2.1	0.4
C-HFSR-85	305	305	2.3	0.5
C-HFSR-93	339	339	2.5	0.5
C-HFSR-101	358	358	2.7	0.6

Code	Price	H (in.)	Weight (lb)	Volume (ft3)
Partial 180-degree Filler				
C-HFSP-08	85	85	0.2	0.1
C-HFSP-16	103	103	0.5	0.1
C-HFSP-24	135	135	0.6	0.1
C-HFSP-32	154	154	0.9	0.2
C-HFSP-40	190	190	1.1	0.2
C-HFSP-48	204	204	1.2	0.3
C-HFSP-56	224	224	1.4	0.3
C-HFSP-64	240	240	1.6	0.4



What's Included:

135-degree 2-way connector, top cap, connection hardware.

How to Specify:

Specify panel trim finish.

A metal color must be specified for the top cap finish.

Notes:

Use the 135-degree 2-way connector to connect two panel frames that are the same height.

Options:

height	29, 37, 45, 53, 61, 69, 77, 85, 93, 101, 109
top cap finish	metal colors
panel trim	style

Code	Price	H (in.)	Weight (lb)	Volume (ft3)
C-HF1R-29	76	29	1.8	0.07
C-HF1R-37	110	37	1.1	0.2
C-HF1R-45	135	45	1.3	0.3
C-HF1R-53	144	53	1.5	0.3
C-HF1R-61	154	61	1.7	0.3
C-HF1R-69	161	69	1.9	0.4
C-HF1R-77	169	77	2.1	0.4
C-HF1R-85	196	85	2.3	0.5
C-HF1R-93	218	93	2.5	0.5
C-HF1R-101	227	101	2.7	0.6



full 120-degree 2-way connection filler



partial 120-degree 2-way connection filler

What's Included:

Full Filler: full 120-degree 2-way connection filler, top cap, connection hardware.

Partial Filler: partial 120-degree 2-way connection filler, top cap, bottom plastic connector trim, connection hardware.

How to Specify:

Specify panel trim finish.

A metal color and panel trim style must be specified for the top cap finish.

Options:

height	8, 16, 24, 29, 32, 37, 40, 45, 48, 53, 56, 61, 64, 69, 72, 77, 85, 93, 101, 109	
type	R full filler	P partial filler
top cap finish	metal colors	
panel trim	style	

Notes:

Use the full 120-degree 2-way connection filler to connect two panel frames that are the same height.

Use the partial 120-degree 2-way connection filler to connect two panel frames where a change of height occurs.

Code	Price	H (in.)	Weight (lb)	Volume (ft3)
Full 120-degree 2-way Connection Filler				
C-HF2R-29	94	29	1.8	0.07
C-HF2R-37	117	37	1.1	0.2
C-HF2R-45	143	45	1.3	0.3
C-HF2R-53	149	53	1.5	0.3
C-HF2R-61	160	61	1.7	0.3
C-HF2R-69	169	69	1.9	0.4
C-HF2R-77	180	77	2.1	0.4
C-HF2R-85	204	85	2.3	0.5
C-HF2R-93	229	93	2.5	0.5
C-HF2R-101	238	101	2.7	0.6
Partial 120-degree 2-way Connection Filler				
C-HF2P-80	193	80	1.8	0.07
C-HF2P-08	65	8	0.2	0.1
C-HF2P-16	76	16	0.5	0.1
C-HF2P-24	101	24	0.6	0.1
C-HF2P-32	109	32	0.9	0.2
C-HF2P-40	135	40	1.1	0.2
C-HF2P-48	144	48	1.2	0.3
C-HF2P-56	154	56	1.4	0.3
C-HF2P-64	164	64	1.6	0.4



120-degree 3-way connection filler

What's Included:

120-degree 3-way connection filler, top cap, connection hardware

How to Specify:

Specify panel trim finish.

A metal color and panel trim style must be specified for the top cap finish.

Notes:

Use the 120-degree 3-way connection filler to connect three panel frames that are the same height.

Options:

height 29, 37, 45, 53, 61, 69, 77, 85, 93, 101, 109

top cap finish metal colors

Code	Price	H (in.)	Weight (lb)	Volume (ft3)
C-HF3R-29	81	29	1.8	0.07
C-HF3R-37	81	37	1.1	0.2
C-HF3R-45	101	45	1.3	0.3
C-HF3R-53	106	53	1.5	0.3
C-HF3R-61	108	61	1.7	0.3
C-HF3R-69	110	69	1.9	0.4
C-HF3R-77	116	77	2.1	0.4
C-HF3R-85	133	85	2.3	0.5
C-HF3R-93	152	93	2.5	0.5
C-HF3R-101	157	101	2.7	0.6



4-way connection filler

What's Included:

4-way connection filler, top cap, connection hardware

How to Specify:

Specify panel trim finish.

A metal color and panel trim style must be specified for the top cap finish.

Notes:

Use 4-way connection filler to connect four panel frames that are the same height.

Options:

height 29, 37, 45, 53, 61, 69, 77, 85, 93, 101, 109

top cap finish metal colors

Code	Price	H (in.)	Weight (lb)	Volume (ft3)
C-HF4R-29	81	29	1.8	0.07
C-HF4R-37	107	37	1.1	0.2
C-HF4R-45	135	45	1.3	0.3
C-HF4R-53	142	53	1.5	0.3
C-HF4R-61	145	61	1.7	0.3
C-HF4R-69	149	69	1.9	0.4
C-HF4R-77	154	77	2.1	0.4
C-HF4R-85	183	85	2.3	0.5
C-HF4R-93	209	93	2.5	0.5
C-HF4R-101	218	101	2.7	0.6



carpet floors



non-carpet floors

What's Included:

Floor Gripper (for carpet floors or non-carpet floors, as specified)

How to Specify:

There are no color options for floor grippers.

Notes:

Floor grippers stabilize panels on either carpet floors or non-carpet floors.

Options:

type **C** carpeted floors **N** non-carpeted floors

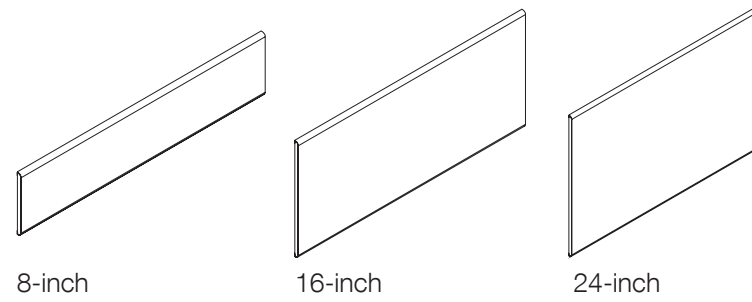
Code	Price	Weight (lb)	Volume (ft3)
carpeted floors			
C-HGC0	3	0.1	0.01
non carpeted floors			
C-HGN0	3	0.1	0.01



Cosmo Pricebook
Oct 2023
Tiles

tiles

acoustic tackable fabric tile	46
monolithic fabric tile	50
acrylic tiles	54
magnetic whiteboard tile	57
laminate tile	58
monolithic laminate tile	60
monolithic laminate tile	62
perforated metal tile	66
pass-through tile	68
fabric flip-up belt-line tile	69
accessory tile	70



What's Included:

Acoustic Tackable Fabric Tile, installation hardware.

How to Specify:

Refer to the finish card for a complete listing of metal colors.

Notes:

Acoustic tackable fabric tiles provide acoustical privacy and a tackable vertical surface.

Options:

fabric grade	1 - grade 1	2 - grade 2	3 - grade 3
height	8, 16, 24		
width	18, 24, 30, 36, 42, 48, 54, 60		
finish	panel fabrics		

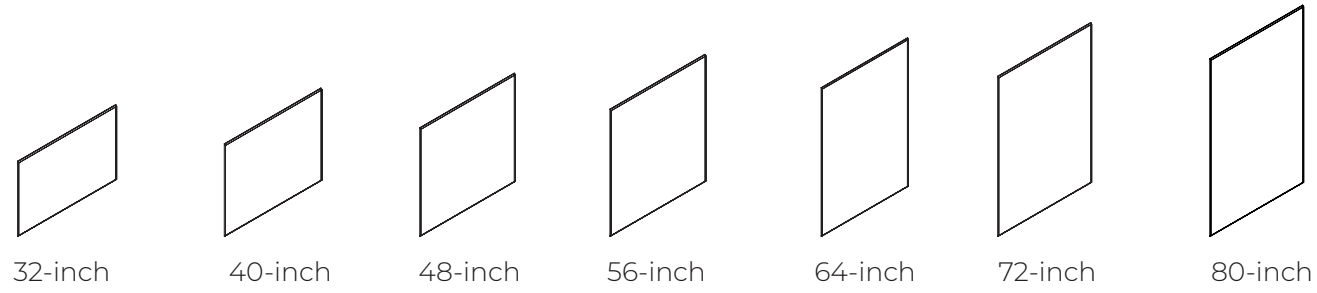
How to Order and Read your Code:

C	PTA	1	8	18
product line	item	fabric grade	height	width

Code	Price	H (in.)	W (in.)	Weight (lb.)	Volume (ft ³)
Grade-1					
C-PTA1-0818	96	8	18	1.9	0.1
C-PTA1-0824	101	8	24	2.4	0.1
C-PTA1-0836	120	8	36	3.7	0.1
C-PTA1-0842	124	8	42	4.2	0.1
C-PTA1-0848	129	8	48	5	0.1
C-PTA1-0860	140	8	60	6.2	0.2
C-PTA1-1624	117	16	24	5	0.1
C-PTA1-1630	121	16	30	6.2	0.2
C-PTA1-1636	144	16	36	7.5	0.2
C-PTA1-1642	149	16	42	8.7	0.2
C-PTA1-1648	156	16	48	10	0.3
C-PTA1-1654	160	16	54	11.2	0.3
C-PTA1-1660	166	16	60	12.5	0.4
C-PTA1-2418	124	24	18	5.6	0.2
C-PTA1-2424	131	24	24	7.3	0.2
C-PTA1-2430	141	24	30	9.3	0.3
C-PTA1-2436	168	24	36	11.2	0.3
C-PTA1-2442	176	24	42	13.1	0.4
C-PTA1-2448	182	24	48	14.9	0.4
C-PTA1-2454	191	24	54	16.8	0.5
C-PTA1-2460	197	24	60	18.7	0.5

Code	Price	H (in.)	W (in.)	Weight (lb.)	Volume (ft ³)
Grade 2					
C-PTA2-0824	105	8	24	2.4	0.1
C-PTA2-0836	125	8	36	3.7	0.1
C-PTA2-0842	131	8	42	4.3	0.1
C-PTA2-0848	135	8	48	5	0.1
C-PTA2-0860	144	8	60	6.2	0.2
C-PTA2-1624	121	16	24	5	0.1
C-PTA2-1630	125	16	30	6.2	0.2
C-PTA2-1636	156	16	36	7.5	0.2
C-PTA2-1642	160	16	42	8.7	0.2
C-PTA2-1648	166	16	48	10	0.3
C-PTA2-1654	171	16	54	11.2	0.3
C-PTA2-1660	178	16	60	12.5	0.4
C-PTA2-2418	131	24	18	5.6	0.2
C-PTA2-2424	141	24	24	7.3	0.2
C-PTA2-2430	145	24	30	9.3	0.3
C-PTA2-2436	183	24	36	11.2	0.3
C-PTA2-2442	193	24	42	13.1	0.4
C-PTA2-2448	198	24	48	14.9	0.4
C-PTA2-2454	204	24	54	16.8	0.5
C-PTA2-2460	208	24	60	18.7	0.5

Code	Price	H (in.)	W (in.)	Weight (lb.)	Volume (ft ³)
Grade 3					
C-PTA3-0824	107	8	24	2.4	0.1
C-PTA3-0836	133	8	36	3.7	0.1
C-PTA3-0842	141	8	42	4.3	0.1
C-PTA3-0848	143	8	48	5	0.1
C-PTA3-0860	149	8	60	6.2	0.2
C-PTA3-1624	125	16	24	5	0.1
C-PTA3-1630	131	16	30	6.2	0.2
C-PTA3-1636	165	16	36	7.5	0.2
C-PTA3-1642	171	16	42	8.7	0.2
C-PTA3-1648	178	16	48	10	0.3
C-PTA3-1654	182	16	54	11.2	0.3
C-PTA3-1660	191	16	60	12.5	0.4
C-PTA3-2418	141	24	18	5.6	0.2
C-PTA3-2424	145	24	24	7.3	0.2
C-PTA3-2430	154	24	30	9.3	0.3
C-PTA3-2436	198	24	36	11.2	0.3
C-PTA3-2442	204	24	42	13.1	0.4
C-PTA3-2448	209	24	48	14.9	0.4
C-PTA3-2454	220	24	54	16.8	0.5
C-PTA3-2460	227	24	60	18.7	0.5



What's Included:

Monolithic fabric tile, installation hardware.

How to Specify:

Refer to the finish card for a complete listing of fabric colors.

Notes:

Monolithic fabric tiles are solid-faced, tackable and offer visual and accoustical privacy.

Monolithic tiles are five inches less than the complete height of the panel frame.

Options:

fabric grade	1 - grade 1	2 - grade 2	3 - grade 3
height	32, 40, 48, 56, 64, 72, 80		
width	18, 24, 30, 36, 42, 48		
finish	panel fabrics		

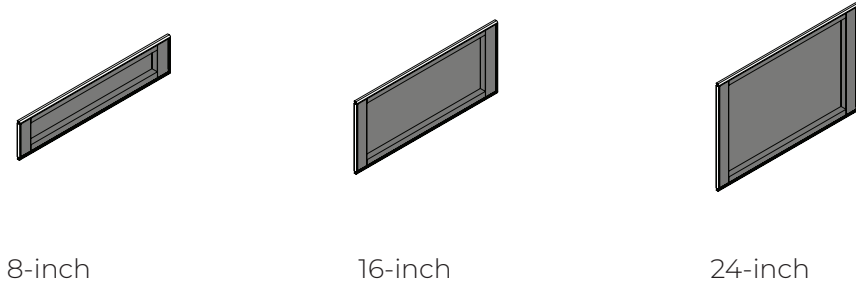
How to Order and Read your Code:

C	PMA	1	32	18
product line	item	fabric grade	height	width

Code	Price	H (in.)	W (in.)	Weight (lb.)	Volume (ft ³)
Grade 1					
C-PMA1-3218	141	32	18	7	0.3
C-PMA1-3224	146	32	24	8	0.4
C-PMA1-3230	156	32	30	9	0.6
C-PMA1-3236	195	32	36	10	0.7
C-PMA1-3242	201	32	42	11	0.8
C-PMA1-3248	207	32	48	12	0.9
C-PMA1-3254	218	32	54	13	1
C-PMA1-3260	227	32	60	14	1.1
C-PMA1-4018	154	40	18	8	0.4
C-PMA1-4024	161	40	24	9	0.6
C-PMA1-4030	171	40	30	10	0.7
C-PMA1-4036	218	40	36	11	0.8
C-PMA1-4042	228	40	42	12	1
C-PMA1-4048	234	40	48	13	1.1
C-PMA1-4054	246	40	54	14	1.2
C-PMA1-4060	257	40	60	15	1.3
C-PMA1-4818	166	48	18	9	0.5
C-PMA1-4824	179	48	24	10	0.7
C-PMA1-4830	191	48	30	11	0.8
C-PMA1-4836	244	48	36	12	1
C-PMA1-4842	255	48	42	13	1.2
C-PMA1-4848	265	48	48	14	1.3
C-PMA1-4854	276	48	54	15	1.4
C-PMA1-4860	283	48	60	16	1.5
C-PMA1-5618	186	56	18	10	0.6
C-PMA1-5624	200	56	24	11	0.8
C-PMA1-5630	209	56	30	12	1
C-PMA1-5636	276	56	36	13	1.2
C-PMA1-5642	288	56	42	14	1.4
C-PMA1-5648	304	56	48	15	1.6
C-PMA1-5654	316	56	54	16	1.8
C-PMA1-5660	329	56	60	17	2
C-PMA1-6418	200	64	18	11	0.7
C-PMA1-6424	215	64	24	12	0.9
C-PMA1-6430	229	64	30	13	1.1
C-PMA1-6436	300	64	36	14	1.3
C-PMA1-6442	314	64	42	15	1.6
C-PMA1-6448	329	64	48	16	1.8
C-PMA1-6454	342	64	54	17	2
C-PMA1-6460	359	64	60	18	2.2
C-PMA1-7218	218	72	18	12	0.8
C-PMA1-7224	232	72	24	13	1
C-PMA1-7230	251	72	30	14	1.3
C-PMA1-7236	330	72	36	15	1.5
C-PMA1-7242	349	72	42	16	1.8
C-PMA1-7248	365	72	48	17	2
C-PMA1-8018	230	80	18	13	0.8
C-PMA1-8024	250	80	24	14	1.1
C-PMA1-8030	268	80	30	15	1.4
C-PMA1-8036	358	80	36	16	1.7
C-PMA1-8042	375	80	42	17	1.9
C-PMA1-8048	394	80	48	18	2.2

Code	Price	H (in.)	W (in.)	Weight (lb.)	Volume (ft ³)
Grade 2					
C-PMA2-3218	147	32	18	7	0.3
C-PMA2-3224	157	32	24	8	0.4
C-PMA2-3230	165	32	30	9	0.6
C-PMA2-3236	209	32	36	10	0.7
C-PMA2-3242	221	32	42	11	0.8
C-PMA2-3248	229	32	48	12	0.9
C-PMA2-3254	238	32	54	13	1
C-PMA2-3260	245	32	60	14	1.1
C-PMA2-4018	165	40	18	8	0.4
C-PMA2-4024	174	40	24	9	0.6
C-PMA2-4030	183	40	30	10	0.7
C-PMA2-4036	243	40	36	11	0.8
C-PMA2-4042	251	40	42	12	1
C-PMA2-4048	261	40	48	13	1.1
C-PMA2-4054	270	40	54	14	1.2
C-PMA2-4060	279	40	60	15	1.3
C-PMA2-4818	180	48	18	9	0.5
C-PMA2-4824	195	48	24	10	0.7
C-PMA2-4830	202	48	30	11	0.8
C-PMA2-4836	270	48	36	12	1
C-PMA2-4842	279	48	42	13	1.2
C-PMA2-4848	290	48	48	14	1.3
C-PMA2-4854	304	48	54	15	1.4
C-PMA2-4860	314	48	60	16	1.5
C-PMA2-5618	201	56	18	10	0.6
C-PMA2-5624	215	56	24	11	0.8

Code	Price	H (in.)	W (in.)	Weight (lb.)	Volume (ft ³)
Grade 3					
C-PMA3-3218	157	32	18	7	0.3
C-PMA3-3224	165	32	24	8	0.4
C-PMA3-3230	174	32	30	9	0.6
C-PMA3-3236	230	32	36	10	0.7
C-PMA3-3242	238	32	42	11	0.8
C-PMA3-3248	246	32	48	12	0.9
C-PMA3-3254	256	32	54	13	1
C-PMA3-3260	264	32	60	14	1.1
C-PMA3-4018	176	40	18	8	0.4
C-PMA3-4024	186	40	24	9	0.6
C-PMA3-4030	196	40	30	10	0.7
C-PMA3-4036	264	40	36	11	0.8
C-PMA3-4042	271	40	42	12	1
C-PMA3-4048	281	40	48	13	1.1
C-PMA3-4054	290	40	54	14	1.2
C-PMA3-4060	301	40	60	15	1.3
C-PMA3-4818	196	48	18	9	0.5
C-PMA3-4824	204	48	24	10	0.7
C-PMA3-4830	217	48	30	11	0.8
C-PMA3-4836	298	48	36	12	1
C-PMA3-4842	306	48	42	13	1.2
C-PMA3-4848	317	48	48	14	1.3
C-PMA3-4854	328	48	54	15	1.4
C-PMA3-4860	340	48	60	16	1.5
C-PMA3-5618	217	56	18	10	0.6
C-PMA3-5624	229	56	24	11	0.8



What's Included:

Acrylic tile, installation hardware.

How to Specify:

Refer to the finish card for a complete listing of metal colors.

Notes:

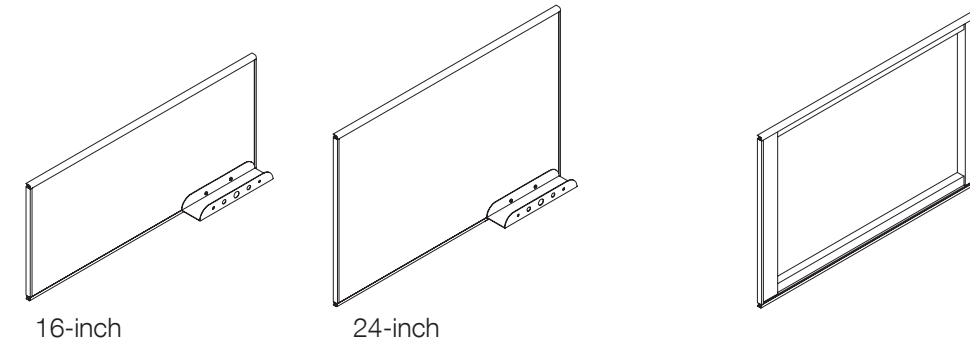
Acrylic tiles are priced by piece, not by pair.

Options:

acrylic options	C - clear	F - frosted	L - fluted
height	8, 16, 24		
width	18, 24, 30, 36, 42, 48, 54, 60		
tile frame finish	metal colors		

Code	Price	H (in.)	W (in.)	Weight (lb.)	Volume (ft ³)
Clear Acrylic					
C-PTGC-0818	193	8	18	2.1	0.1
C-PTGC-0824	206	8	24	2.6	0.1
C-PTGC-0830	227	8	30	3	0.1
C-PTGC-0836	244	8	36	3.5	0.1
C-PTGC-0842	264	8	42	4	0.1
C-PTGC-0848	283	8	48	4.4	0.1
C-PTGC-0854	304	8	54	4.9	0.2
C-PTGC-0860	318	8	60	5.4	0.2
C-PTGC-1618	230	16	18	3.3	0.1
C-PTGC-1624	257	16	24	4	0.1
C-PTGC-1630	279	16	30	4.7	0.2
C-PTGC-1636	309	16	36	5.5	0.2
C-PTGC-1642	339	16	42	6.2	0.2
C-PTGC-1648	361	16	48	6.9	0.3
C-PTGC-1654	386	16	54	7.6	0.3
C-PTGC-1660	410	16	60	8.3	0.4
C-PTGC-2418	277	24	18	4.5	0.2
C-PTGC-2424	309	24	24	5.5	0.2
C-PTGC-2430	343	24	30	6.5	0.3
C-PTGC-2436	377	24	36	7.4	0.3
C-PTGC-2442	413	24	42	8.1	0.4
C-PTGC-2448	443	24	48	9.4	0.4
C-PTGC-2454	474	24	54	10.3	0.5
C-PTGC-2460	515	24	60	11.3	0.5

Code	Price	H (in.)	W (in)	Weight (lb)	Volume (ft ³)
Frosted Acrylic					
C-PTGF-0818	202	8	18	2.1	0.1
C-PTGF-0824	226	8	24	2.6	0.1
C-PTGF-0830	245	8	30	3	0.1
C-PTGF-0836	266	8	36	3.5	0.1
C-PTGF-0842	290	8	42	4	0.1
C-PTGF-0848	317	8	48	4.4	0.1
C-PTGF-0854	340	8	54	4.9	0.2
C-PTGF-0860	360	8	60	5.4	0.2
C-PTGF-1618	257	16	18	3.3	0.1
C-PTGF-1624	289	16	24	4	0.1
C-PTGF-1630	323	16	30	4.7	0.2
C-PTGF-1636	360	16	36	5.5	0.2
C-PTGF-1642	397	16	42	6.2	0.2
C-PTGF-1648	428	16	48	6.9	0.3
C-PTGF-1654	463	16	54	7.6	0.3
C-PTGF-1660	496	16	60	8.3	0.4
C-PTGF-2418	314	24	18	4.5	0.2
C-PTGF-2424	360	24	24	5.5	0.2
C-PTGF-2430	407	24	30	6.5	0.3
C-PTGF-2436	451	24	36	7.4	0.3
C-PTGF-2442	501	24	42	8.5	0.4
C-PTGF-2448	545	24	48	9.4	0.4
C-PTGF-2454	592	24	54	10.3	0.5
C-PTGF-2460	644	24	60	11.3	0.5



What's Included:

Magnetic whiteboard tile, installation hardware, eraser support.

How to Specify:

Refer to the metal card for a complete listing of metal colors.

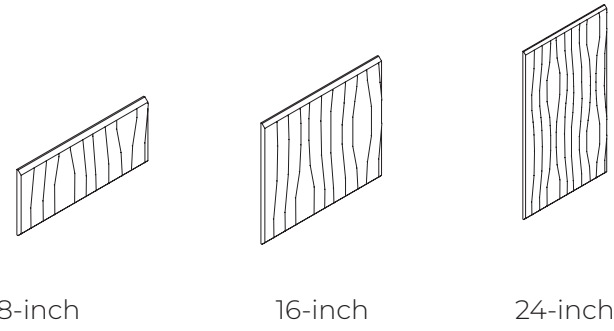
Options:

height	16, 24
width	18, 24, 30, 36, 42, 48, 54, 60
finish	metal colors

Notes:

Only dry erase markers should be used on magnetic whiteboard tiles.

Code	Price	H (in.)	W (in)	Weight (lb)	Volume (ft ³)
C-PTWM-1618	251	16	18	3.2	0.1
C-PTWM-1624	270	16	24	3.1	0.1
C-PTWM-1630	289	16	30	4.5	0.2
C-PTWM-1636	309	16	36	5.2	0.2
C-PTWM-1642	337	16	42	5.9	0.2
C-PTWM-1648	358	16	48	6.5	0.3
C-PTWM-1654	377	16	54	7.2	0.3
C-PTWM-1660	398	16	60	7.9	0.4
C-PTWM-2418	286	24	18	4.4	0.2
C-PTWM-2424	310	24	24	5.3	0.2
C-PTWM-2430	334	24	30	6.2	0.3
C-PTWM-2436	361	24	36	7	0.3
C-PTWM-2442	389	24	42	7.9	0.4
C-PTWM-2448	413	24	48	8.8	0.4
C-PTWM-2454	440	24	54	9.7	0.5
C-PTWM-2460	463	24	60	10.6	0.5



What's Included:

Laminate tile, installation hardware.

How to Specify:

Refer to the laminate card for a complete listing of laminates.

Notes:

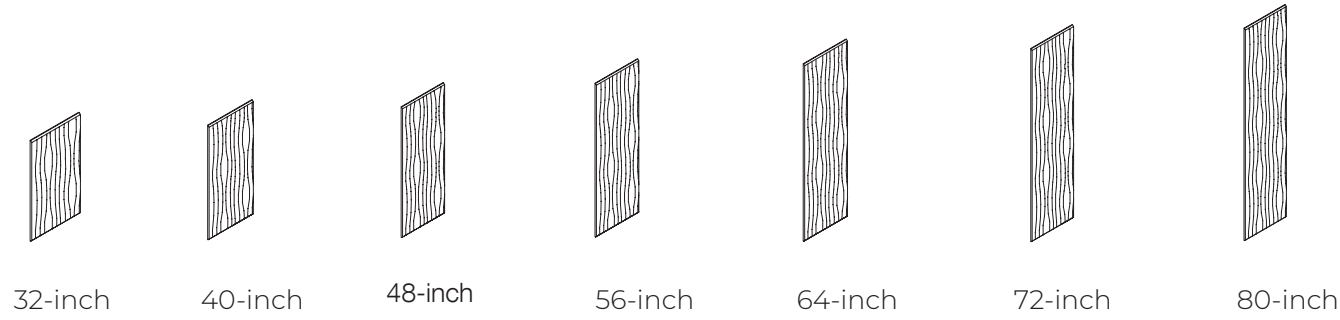
Laminate tiles provide an easy to clean hard surface.

Grain direction is vertical.

Options:

height	8, 16, 24
width	18, 24, 30, 36, 42, 48, 54, 60
finish	laminate colors

Code	Price	H (in.)	W (in.)	Weight (lb.)	Volume (ft ³)
C-PTL0-0818	105	8	18	1.8	0.06
C-PTL0-0824	109	8	24	2.4	0.08
C-PTL0-0830	119	8	30	3.1	0.1
C-PTL0-0836	124	8	36	3.7	0.11
C-PTL0-0842	133	8	42	4.4	0.13
C-PTL0-0848	141	8	48	5	0.15
C-PTL0-0854	149	8	54	5.7	0.17
C-PTL0-0860	156	8	60	6.3	0.19
C-PTL0-1618	120	16	18	3.7	0.11
C-PTL0-1624	130	16	24	4.9	0.15
C-PTL0-1630	144	16	30	6.2	0.19
C-PTL0-1636	154	16	36	7.5	0.23
C-PTL0-1642	166	16	42	8.7	0.27
C-PTL0-1648	180	16	48	9.1	0.31
C-PTL0-1654	195	16	54	10.3	0.35
C-PTL0-1660	205	16	60	11.5	0.39
C-PTL0-2418	141	24	18	5.6	0.17
C-PTL0-2424	154	24	24	7.3	0.23
C-PTL0-2430	171	24	30	9.3	0.29
C-PTL0-2436	190	24	36	11.2	0.34
C-PTL0-2442	204	24	42	13.1	0.4
C-PTL0-2448	220	24	48	14.7	0.46
C-PTL0-2454	238	24	54	16.6	0.51
C-PTL0-2460	255	24	60	18.5	0.57



What's Included:

Monolithic laminate tile, installation hardware.

How to Specify:

Refer to the laminate card for a complete listing of laminate colors.

Options:

height	32, 40, 48, 56, 64, 72, 80
width	18, 24, 30, 36, 42, 48
finish	laminate colors

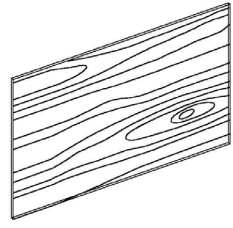
Notes:

Monolithic laminate tiles provide an easy to clean hard surface.

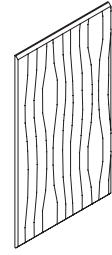
Monolithic laminate tiles are five inches less than the complete height of the panel frame.

Grain direction is vertical.

Code	Price	H (in.)	W (in)	Weight (lb)	Volume (ft ³)	Code	Price	H (in.)	W (in)	Weight (lb)	Volume (ft ³)
C-PTL0-3218	154	32	18	30	0.23	C-PTL0-5618	218	56	18	36	0.4
C-PTL0-3224	171	32	24	31	0.31	C-PTL0-5624	251	56	24	37	0.53
C-PTL0-3230	197	32	30	32	0.38	C-PTL0-5630	282	56	30	39	0.67
C-PTL0-3236	217	32	36	33	0.46	C-PTL0-5636	321	56	36	40	0.8
C-PTL0-3242	238	32	42	34	0.53	C-PTL0-5642	354	56	42	42	0.94
C-PTL0-3248	257	32	48	35	0.61	C-PTL0-5648	386	56	48	44	1.07
C-PTL0-3254	309	32	54	36	0.68	C-PTL0-6418	231	64	18	42	0.46
C-PTL0-3260	365	32	60	37	0.76	C-PTL0-6424	270	64	24	44	0.61
C-PTL0-4018	171	40	18	30	0.29	C-PTL0-6430	307	64	30	46	0.76
C-PTL0-4024	197	40	24	31	0.38	C-PTL0-6436	349	64	36	45	0.92
C-PTL0-4030	220	40	30	32	0.48	C-PTL0-6442	386	64	42	48	1.07
C-PTL0-4036	249	40	36	33	0.57	C-PTL0-6448	425	64	48	50	1.22
C-PTL0-4042	271	40	42	34	0.67	C-PTL0-7218	255	72	18	26	0.52
C-PTL0-4048	299	40	48	35	0.76	C-PTL0-7224	298	72	24	35	0.69
C-PTL0-4054	350	40	54	36	0.85	C-PTL0-7230	339	72	30	43	0.86
C-PTL0-4060	413	40	60	37	0.93	C-PTL0-7236	384	72	36	52	1.03
C-PTL0-4818	191	48	18	32	0.34	C-PTL0-7242	426	72	42	60	1.2
C-PTL0-4824	218	48	24	33	0.46	C-PTL0-7248	468	72	48	69	1.38
C-PTL0-4830	246	48	30	35	0.57	C-PTL0-8018	268	80	18	29	0.57
C-PTL0-4836	278	48	36	36	0.69	C-PTL0-8024	316	80	24	38	0.76
C-PTL0-4842	307	48	42	38	0.8	C-PTL0-8030	361	80	30	48	0.95
C-PTL0-4848	337	48	48	39	0.92	C-PTL0-8036	413	80	36	58	1.15
C-PTL0-4854	395	48	54	40	1.03	C-PTL0-8042	459	80	42	67	1.34
C-PTL0-4860	460	48	60	41	1.15	C-PTL0-8048	503	80	48	77	1.53



Horizontal Wood Grain



Vertical Wood Grain

What's Included:

Laminate tile, installation hardware.

How to Specify:

Refer to the laminate card for a complete listing of laminates. Specify “-WG” for horizontal woodgrain.

Options:

height	21, 29, 37, 45, 53, 61, 69, 77, 85
width	18, 24, 30, 36, 42, 48, 54, 60
finish	laminate colors

Notes:

Laminate tiles provide an easy to clean hard surface.

Grain direction is available in vertical and horizontal.

Code	Price	H (in.)	W (in.)	Weight (lb.)	Volume (ft ³)
Horizontal woodgrain					
C-PTLX-2118-WG	147	21	18	5.91	0.14
C-PTLX-2124-WG	158	21	24	7.88	0.18
C-PTLX-2130-WG	171	21	30	9.84	0.23
C-PTLX-2136-WG	185	21	36	11.81	0.27
C-PTLX-2142-WG	196	21	42	13.78	0.32
C-PTLX-2148-WG	207	21	48	15.75	0.36
C-PTLX-2154-WG	220	21	54	17.72	0.41
C-PTLX-2160-WG	232	21	60	19.69	0.46
C-PTLX-2918-WG	165	29	18	8.16	0.19
C-PTLX-2924-WG	182	29	24	10.88	0.25
C-PTLX-2930-WG	198	29	30	13.59	0.31
C-PTLX-2936-WG	215	29	36	16.31	0.38
C-PTLX-2942-WG	228	29	42	19.03	0.44
C-PTLX-2948-WG	245	29	48	21.75	0.5
C-PTLX-2954-WG	261	29	54	24.47	0.57
C-PTLX-2960-WG	277	29	60	27.19	0.63
C-PTLX-3718-WG	197	37	18	10.41	0.24
C-PTLX-3724-WG	215	37	24	13.88	0.32
C-PTLX-3730-WG	239	37	30	17.34	0.4
C-PTLX-3736-WG	261	37	36	20.81	0.48
C-PTLX-3742-WG	279	37	42	24.28	0.56
C-PTLX-3748-WG	300	37	48	27.75	0.64
C-PTLX-3760-WG	408	37	60	34.69	0.8
C-PTLX-4524-WG	239	45	24	16.88	0.39
C-PTLX-4530-WG	261	45	30	21.09	0.49
C-PTLX-4536-WG	300	45	36	25.31	0.59
C-PTLX-4548-WG	333	45	48	33.75	0.78
C-PTLX-5330-WG	306	53	30	24.84	0.58

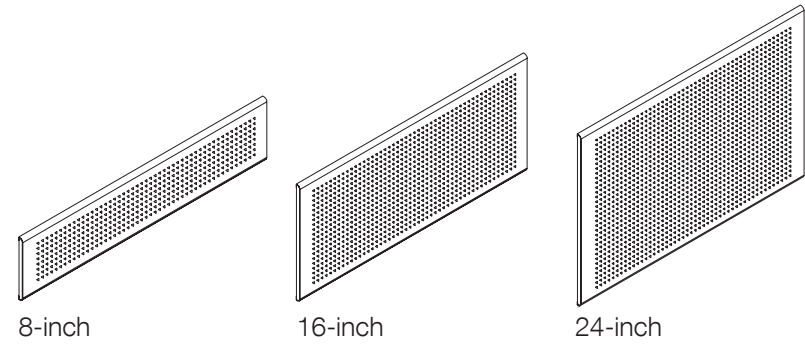
Extended laminate tiles continued next page

Extended laminate tiles continued page 2 of 3

Code	Price	H (in.)	W (in.)	Weight (lb.)	Volume (ft ³)
Vertical Woodgrain					
C-PTLX-2118	154	21	18	5.91	0.14
C-PTLX-2124	164	21	24	7.88	0.18
C-PTLX-2130	178	21	30	9.84	0.23
C-PTLX-2136	190	21	36	11.81	0.27
C-PTLX-2142	201	21	42	13.78	0.32
C-PTLX-2148	215	21	48	15.75	0.36
C-PTLX-2154	227	21	54	17.72	0.41
C-PTLX-2160	240	21	60	19.69	0.46
C-PTLX-2918	171	29	18	8.16	0.19
C-PTLX-2924	190	29	24	10.88	0.25
C-PTLX-2930	205	29	30	13.59	0.31
C-PTLX-2936	221	29	36	16.31	0.38
C-PTLX-2942	238	29	42	19.03	0.44
C-PTLX-2948	255	29	48	21.75	0.5
C-PTLX-2954	271	29	54	24.47	0.57
C-PTLX-2960	286	29	60	27.19	0.63
C-PTLX-3718	197	37	18	10.41	0.24
C-PTLX-3724	215	37	24	13.88	0.32
C-PTLX-3730	238	37	30	17.34	0.4
C-PTLX-3736	259	37	36	20.81	0.48
C-PTLX-3742	279	37	42	24.28	0.56
C-PTLX-3748	300	37	48	27.75	0.64
C-PTLX-3754	350	37	54	31.22	0.72
C-PTLX-3760	407	37	60	34.69	0.8
C-PTLX-4518	224	45	18	12.66	0.29
C-PTLX-4524	246	45	24	16.88	0.39
C-PTLX-4530	270	45	30	21.09	0.49
C-PTLX-4536	300	45	36	25.31	0.59
C-PTLX-4542	323	45	42	29.53	0.68
C-PTLX-4548	347	45	48	33.75	0.78
C-PTLX-4554	402	45	54	37.97	0.88
C-PTLX-4560	463	45	60	42.19	0.98

Extended laminate tiles continued page 3 of 3

Code	Price	H (in.)	W (in.)	Weight (lb.)	Volume (ft ³)
C-PTLX-5318	249	53	18	14.91	0.35
C-PTLX-5324	277	53	24	19.88	0.46
C-PTLX-5330	306	53	30	24.84	0.58
C-PTLX-5336	339	53	36	29.81	0.69
C-PTLX-5342	365	53	42	34.78	0.81
C-PTLX-5348	395	53	48	39.75	0.92
C-PTLX-5354	452	53	54	44.72	1.04
C-PTLX-5360	519	53	60	49.69	1.15
C-PTLX-6118	283	61	18	17.16	0.4
C-PTLX-6124	318	61	24	22.88	0.53
C-PTLX-6130	350	61	30	28.59	0.66
C-PTLX-6136	389	61	36	34.31	0.79
C-PTLX-6142	424	61	42	40.03	0.93
C-PTLX-6148	452	61	48	45.75	1.06
C-PTLX-6918	309	69	18	19.41	0.45
C-PTLX-6924	345	69	24	25.88	0.6
C-PTLX-6930	384	69	30	32.34	0.75
C-PTLX-6936	426	69	36	38.81	0.9
C-PTLX-6942	463	69	42	45.28	1.05
C-PTLX-6948	499	69	48	51.75	1.2
C-PTLX-7718	339	77	18	21.66	0.5
C-PTLX-7724	380	77	24	28.88	0.67
C-PTLX-7730	424	77	30	36.09	0.84
C-PTLX-7736	469	77	36	43.31	1
C-PTLX-7742	509	77	42	50.53	1.17
C-PTLX-7748	548	77	48	57.75	1.34
C-PTLX-8518	361	85	18	23.91	0.55
C-PTLX-8524	407	85	24	31.88	0.74
C-PTLX-8530	452	85	30	39.84	0.92
C-PTLX-8536	504	85	36	47.81	1.11
C-PTLX-8542	548	85	42	55.78	1.29
C-PTLX-8548	595	85	48	63.75	1.48



What's Included:

Perforated metal tile, installation hardware.

How to Specify:

Refer to the metal card for a complete listing of metal colors.

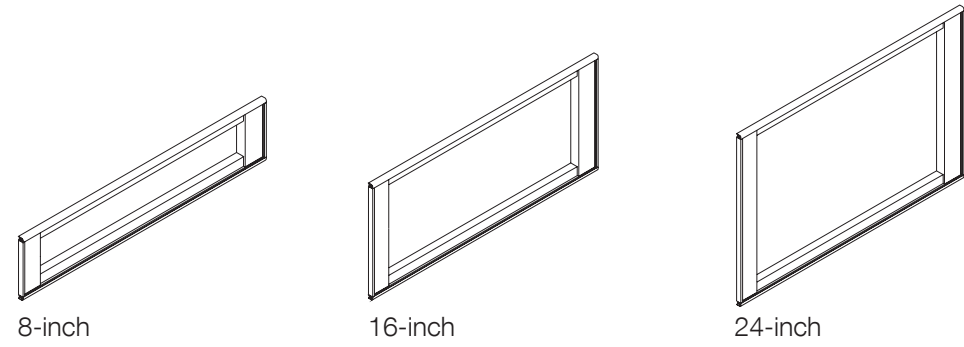
Options:

height	8, 16, 24
width	18, 24, 30, 36, 42, 48, 54, 60
finish	metal colors

Notes:

Perforated metal tiles provide a unique architectural element, while allowing for airflow.

CodeCode	Price	H (in.)	W (in)	Weight (lb)	Volume (ft ³)
C-PTM0-0818	101	8	18	1.5	0.1
C-PTM0-0824	108	8	24	2	0.1
C-PTM0-0830	116	8	30	2.5	0.1
C-PTM0-0836	121	8	36	3.1	0.1
C-PTM0-0842	130	8	42	3.6	0.1
C-PTM0-0848	141	8	48	4.1	0.1
C-PTM0-0854	147	8	54	4.6	0.2
C-PTM0-0860	156	8	60	5.1	0.2
C-PTM0-1618	125	16	18	3	0.1
C-PTM0-1624	140	16	24	4.1	0.1
C-PTM0-1630	146	16	30	5.1	0.2
C-PTM0-1636	157	16	36	6.1	0.2
C-PTM0-1642	168	16	42	7.1	0.2
C-PTM0-1648	182	16	48	8.1	0.3
C-PTM0-1654	196	16	54	9.1	0.3
C-PTM0-1660	206	16	60	10.2	0.4
C-PTM0-2418	157	24	18	4.6	0.2
C-PTM0-2424	176	24	24	6.1	0.2
C-PTM0-2430	195	24	30	7.6	0.3
C-PTM0-2436	208	24	36	9.2	0.3
C-PTM0-2442	229	24	42	10.7	0.4
C-PTM0-2448	250	24	48	12.2	0.4
C-PTM0-2454	268	24	54	13.7	0.5
C-PTM0-2460	283	24	60	15.2	0.5



What's Included:

Pass-Through Tile, installation hardware.

How to Specify:

Refer to the metal card for a complete listing of metal colors.

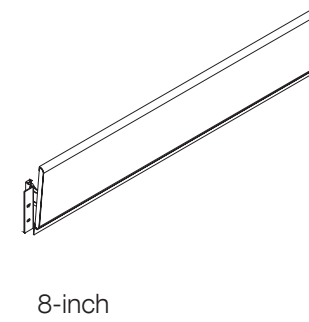
Options:

height	8,16, 24
width	18, 24, 30, 36, 42, 48, 54, 60
finish	metal colors

Notes:

The pass-through tile allows data and communication cables to be shared between workstations.

CodeCode	Price	H (in.)	W (in)	Weight (lb)	Volume (ft ³)	CodeCode	Price	H (in.)	W (in)	Weight (lb)	Volume (ft ³)
C-PTO0-0818	154	8	18	1.5	0.1	C-PTO0-1642	220	16	42	3	0.2
C-PTO0-0824	165	8	24	1.7	0.1	C-PTO0-1648	229	16	48	3.2	0.3
C-PTO0-0830	176	8	30	2	0.1	C-PTO0-1654	243	16	54	3.5	0.3
C-PTO0-0836	186	8	36	2.2	0.1	C-PTO0-1660	251	16	60	3.7	0.4
C-PTO0-0842	200	8	42	2.5	0.1	C-PTO0-2418	200	24	18	2.5	0.2
C-PTO0-0848	207	8	48	2.7	0.1	C-PTO0-2424	207	24	24	2.7	0.2
C-PTO0-0854	221	8	54	3	0.2	C-PTO0-2430	220	24	30	3	0.3
C-PTO0-0860	230	8	60	3.2	0.2	C-PTO0-2436	229	24	36	3.2	0.3
C-PTO0-1618	174	16	18	2	0.1	C-PTO0-2442	244	24	42	3.5	0.4
C-PTO0-1624	186	16	24	2.2	0.1	C-PTO0-2448	256	24	48	3.7	0.4
C-PTO0-1630	197	16	30	2.5	0.2	C-PTO0-2454	265	24	54	4	0.5
C-PTO0-1636	205	16	36	2.7	0.2	C-PTO0-2460	276	24	60	4.3	0.5



What's Included:

Fabric Flip-Up Belt-Line Tile, installation hardware.

How to Specify:

height	8
width	18, 24, 30, 36, 42, 48, 54, 60
finish	panel fabrics

Notes:

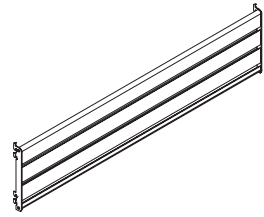
The fabric flip-up belt-line tile can be used in place of an 8-inch high tile at desk height when access to power, data and communication is required at the belt-line.

The fabric flip-up belt-line tile is compatible with panel frames that have flip-up capability.

Options:

height	8
width	18, 24, 30, 36, 42, 48, 54, 60
finish	panel fabrics

Code	Price	H (in.)	W (in)	Weight (lb)	Volume (ft ³)	Code	Price	H (in.)	W (in)	Weight (lb)	Volume (ft ³)
C-PTB0-0818	226	8	18	1.9	0.1	C-PTB0-0842	277	8	42	4.4	0.1
C-PTB0-0824	231	8	24	2.9	0.1	C-PTB0-0848	283	8	48	5	0.1
C-PTB0-0830	243	8	30	3.1	0.1	C-PTB0-0854	293	8	54	5.6	0.2
C-PTB0-0836	268	8	36	3.8	0.1	C-PTB0-0860	304	8	60	6.2	0.2



8-inch

What's Included:

Accessory Tile, installation hardware.

How to Specify:

Refer to the metal/vinyl card for a complete listing of metal colors

Options:

height	8
width	18, 24, 30, 36, 42, 48, 54, 60
finish	metal

Notes:

The accessory tile supports all personal organizers. Please refer to the accessories section [on page 166](#) of this price book for details.

Code	Price	H (in.)	W (in)	Weight (lb)	Volume (ft ³)
C-PTA0-0818	141	8	18	3	0.1
C-PTA0-0824	160	8	24	3.8	0.1
C-PTA0-0830	183	8	30	4.7	0.1
C-PTA0-0836	206	8	36	5.6	0.1
C-PTA0-0842	230	8	42	6.4	0.1
C-PTA0-0848	256	8	48	7.3	0.1
C-PTA0-0854	277	8	54	8.2	0.2
C-PTA0-0860	301	8	60	9.1	0.2

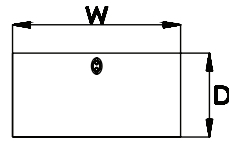
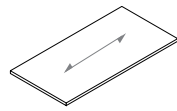


Cosmo Pricebook
Oct 2023

Worksurfaces

worksurfaces

straight worksurface	76
straight worksurface with power grommet	80
wave return with straight end	82
wave return with curved end	86
extended corner with curved front	90
angled worksurface with curved front	92
flexed worksurface with curved front	94
5-sided corner worksurface with straight front	96
5-sided corner worksurface with curved front	98
6-sided corner worksurface	99
panel-mounted d-table	100
panel-mounted p-table	102
panel-mounted j-table	104
panel-mounted y-table	106
c-table extension	108
u-table extension	109
bridge worksurface	110
radiused extended surface	112
tempered glass transaction top	113
laminated countertop	114



What's Included:

Straight Worksurface, grommets (24 to 48-inch worksurfaces include one grommet, 54 to 84-inch worksurfaces include two grommets, 90 to 96-inch worksurfaces include three grommets).

Notes:

Grain direction is indicated in the above illustration. If you need the laminate wood grain direction to run from front to back please see bridge worksurfaces [on page 110](#). Keyboard tray can be mounted to this worksurface. Refer to the Accessories section [on page 166](#) for details.

How to Specify:

Specify laminate color. The worksurface trim color will default to match the laminate color unless otherwise specified, see the laminate finish card for details. Not all laminate colors are available on 1.5-inch thick worksurfaces, see the laminate finish card for details. Edge profile must be specified for 1.5-inch thick worksurfaces.

Options:

thickness	C 1-inch	CT 1.5-inch
width	18, 24, 30, 36, 42, 48, 54, 60, 66, 72, 78, 84, 90, 96	
depth	18, 24, 30, 36	
surface finish	laminate colors	
edge profile (1.5-inch only)	straight	

How to Order and Read your Code:

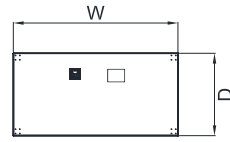
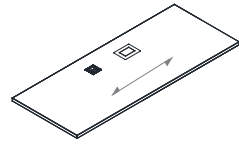
C or CT	WSOG	18	18
product line	item	width	depth

Code	Price	H (in)	W (in.)	Wt. (lb)	Vol. (ft³)
1" Thick					
C-WS0G-1818	246	18	18	8.18	0.19
C-WS0G-1824	264	18	24	10.96	0.25
C-WS0G-1830	278	18	30	13.73	0.31
C-WS0G-1836	288	18	36	13.73	0.38
C-WS0G-2418	259	24	18	10.96	0.25
C-WS0G-2424	279	24	24	14.7	0.3
C-WS0G-2430	298	24	30	18.36	0.42
C-WS0G-2436	339	24	36	14.73	0.5
C-WS0G-3018	278	30	18	13.73	0.31
C-WS0G-3024	298	30	24	18.4	0.4
C-WS0G-3030	349	30	30	22.99	0.52
C-WS0G-3036	367	30	36	15.73	0.63
C-WS0G-3618	288	36	18	16.51	0.38
C-WS0G-3624	306	36	24	22.1	0.5
C-WS0G-3630	367	36	30	27.62	0.63
C-WS0G-3636	386	36	36	16.73	0.75
C-WS0G-4218	328	42	18	19.29	0.44
C-WS0G-4224	359	42	24	25.8	0.6
C-WS0G-4230	402	42	30	32.25	0.73
C-WS0G-4236	418	42	36	17.73	0.88
C-WS0G-4818	343	48	18	22.06	0.5
C-WS0G-4824	386	48	24	29.5	0.7
C-WS0G-4830	433	48	30	36.88	0.83
C-WS0G-4836	452	48	36	18.73	1
C-WS0G-5418	410	54	18	24.69	0.56
C-WS0G-5424	464	54	24	33	0.8
C-WS0G-5430	484	54	30	41.35	0.94

Code	Price	H (in)	W (in.)	Wt. (lb)	Vol. (ft³)
C-WS0G-5436	506	54	36	19.73	1.13
C-WS0G-6018	446	60	18	27.46	0.63
C-WS0G-6024	485	60	24	36.7	0.8
C-WS0G-6030	513	60	30	45.98	1.04
C-WS0G-6036	536	60	36	20.73	1.25
C-WS0G-6618	507	66	18	30.24	0.69
C-WS0G-6624	542	66	24	40.4	0.9
C-WS0G-6630	585	66	30	50.61	1.15
C-WS0G-6636	609	66	36	21.73	1.38
C-WS0G-7218	540	72	18	33.02	0.75
C-WS0G-7224	567	72	24	44.1	1
C-WS0G-7230	601	72	30	55.24	1.25
C-WS0G-7236	628	72	36	22.73	1.5
C-WS0G-7818	584	78	18	35.8	0.81
C-WS0G-7824	615	78	24	47.8	1.1
C-WS0G-7830	653	78	30	59.86	1.35
C-WS0G-7836	680	78	36	23.73	1.63
C-WS0G-8418	631	84	18	38.57	0.88
C-WS0G-8424	666	84	24	51.5	1.2
C-WS0G-8430	704	84	30	64.49	1.46
C-WS0G-8436	739	84	36	24.73	1.75
C-WS0G-9018	717	90	18	41.2	0.94
C-WS0G-9024	755	90	24	55.1	1.3
C-WS0G-9030	803	90	30	68.97	1.56
C-WS0G-9036	843	90	36	25.73	1.88
C-WS0G-9618	779	96	18	43.97	1
C-WS0G-9624	820	96	24	58.8	1.3
C-WS0G-9630	869	96	30	73.6	1.67
C-WS0G-9636	903	96	36	26.73	2

Code	Price	W (in.)	D 1 (in.)	Weight (lb)	Volume (ft ³)
1.5" Thick					
CT-WS0G-1818	330	18	18	8.18	0.19
CT-WS0G-1824	359	18	24	10.96	0.25
CT-WS0G-1830	373	18	30	13.73	0.31
CT-WS0G-1836	391	18	36	13.73	0.38
CT-WS0G-2418	349	24	18	10.96	0.25
CT-WS0G-2424	378	24	24	14.7	0.3
CT-WS0G-2430	402	24	30	18.36	0.42
CT-WS0G-2436	452	24	36	14.73	0.5
CT-WS0G-3018	373	30	18	13.73	0.31
CT-WS0G-3024	402	30	24	18.4	0.4
CT-WS0G-3030	472	30	30	22.99	0.52
CT-WS0G-3036	501	30	36	15.73	0.63
CT-WS0G-3618	391	36	18	16.51	0.38
CT-WS0G-3624	413	36	24	22.1	0.5
CT-WS0G-3630	501	36	30	27.62	0.63
CT-WS0G-3636	519	36	36	16.73	0.75
CT-WS0G-4218	443	42	18	19.29	0.44
CT-WS0G-4224	483	42	24	25.8	0.6
CT-WS0G-4230	541	42	30	32.25	0.73
CT-WS0G-4236	564	42	36	17.73	0.88
CT-WS0G-4818	468	48	18	22.06	0.5
CT-WS0G-4824	519	48	24	29.5	0.7
CT-WS0G-4830	585	48	30	36.88	0.83
CT-WS0G-4836	609	48	36	18.73	1
CT-WS0G-5418	552	54	18	24.69	0.56
CT-WS0G-5424	628	54	24	33	0.8
CT-WS0G-5430	655	54	30	41.35	0.94
CT-WS0G-5436	680	54	36	19.73	1.13

Code	Price	W (in.)	D 1 (in.)	Weight (lb)	Volume (ft ³)
CT-WS0G-6018	602	60	18	27.46	0.63
CT-WS0G-6024	658	60	24	36.7	0.8
CT-WS0G-6030	694	60	30	45.98	1.04
CT-WS0G-6036	726	60	36	20.73	1.25
CT-WS0G-6618	689	66	18	30.24	0.69
CT-WS0G-6624	733	66	24	40.4	0.9
CT-WS0G-6630	791	66	30	50.61	1.15
CT-WS0G-6636	826	66	36	21.73	1.38
CT-WS0G-7218	728	72	18	33.02	0.75
CT-WS0G-7224	765	72	24	44.1	1
CT-WS0G-7230	810	72	30	55.24	1.25
CT-WS0G-7236	849	72	36	22.73	1.5
CT-WS0G-7818	790	78	18	35.8	0.81
CT-WS0G-7824	832	78	24	47.8	1.1
CT-WS0G-7830	883	78	30	59.86	1.35
CT-WS0G-7836	923	78	36	23.73	1.63
CT-WS0G-8418	854	84	18	38.57	0.88
CT-WS0G-8424	898	84	24	51.5	1.2
CT-WS0G-8430	954	84	30	64.49	1.46
CT-WS0G-8436	997	84	36	24.73	1.75
CT-WS0G-9018	975	90	18	41.2	0.94
CT-WS0G-9024	1023	90	24	55.1	1.3
CT-WS0G-9030	1084	90	30	68.97	1.56
CT-WS0G-9036	1134	90	36	25.73	1.88
CT-WS0G-9618	1051	96	18	43.97	1
CT-WS0G-9624	1104	96	24	58.8	1.3
CT-WS0G-9630	1175	96	30	73.6	1.67
CT-WS0G-9636	1221	96	36	26.73	2



What's Included:

Straight worksurface with a cable grommet and a power grommet.

Notes:

Grain direction is indicated in the above illustration.

Keyboard tray can be mounted to this worksurface. Refer to the Accessories section [on page 166](#) for details.

How to Specify:

Specify laminate color.

The worksurface trim color will default to match the laminate color. Unless otherwise specified, see the laminate finish card for details.

Not all laminate colors are available in 1.5-inch thick worksurfaces, see the laminate finish card for details.

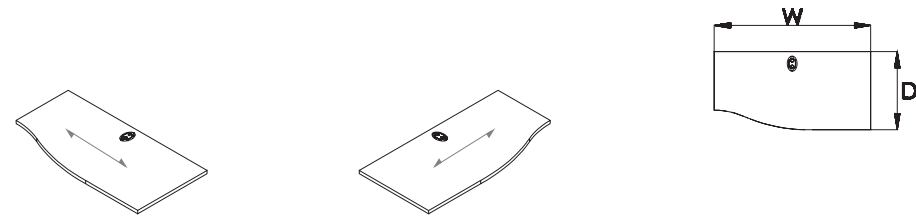
Edge profile must be specified for 1.5-inch thick worksurfaces

Options:

thickness	C 1-inch CT 1.5-inch
width	36, 42, 48, 54, 60, 66, 72, 78, 84, 90, 96
depth	24, 30
surface finish	laminate colors
edge profile (1.5-inch only)	straight

Code	Price	H (in)	W (in.)	Wt. (lb)	Vol. (ft³)
1" Thick					
C-WSPG-3624	1045	36	24	17.28	0.5
C-WSPG-3630	1106	36	30	21.6	0.63
C-WSPG-4224	1098	42	24	20.16	0.58
C-WSPG-4230	1141	42	30	25.2	0.73
C-WSPG-4824	1125	48	24	23.04	0.67
C-WSPG-4830	1175	48	30	28.8	0.83
C-WSPG-5424	1205	54	24	25.92	0.75
C-WSPG-5430	1223	54	30	32.4	0.94
C-WSPG-6024	1224	60	24	28.8	0.83
C-WSPG-6030	1253	60	30	36	1.04
C-WSPG-6624	1280	66	24	31.68	0.92
C-WSPG-6630	1326	66	30	39.6	1.15
C-WSPG-7224	1304	72	24	34.56	1
C-WSPG-7230	1340	72	30	43.2	1.25
C-WSPG-7824	1354	78	24	37.44	1.08
C-WSPG-7830	1394	78	30	46.8	1.35
C-WSPG-8424	1404	84	24	40.32	1.17
C-WSPG-8430	1443	84	30	50.4	1.46
C-WSPG-9024	1496	90	24	43.2	1.25
C-WSPG-9030	1544	90	30	54	1.56
C-WSPG-9624	1558	96	24	46.08	1.33
C-WSPG-9630	1606	96	30	57.6	1.67

Code	Price	H (in)	W (in.)	Wt. (lb)	Vol. (ft³)
1.5" Thick					
CT-WSPG-3624	1152	36	24	17.28	0.5
CT-WSPG-3630	1241	36	30	21.6	0.63
CT-WSPG-4224	1222	42	24	20.16	0.58
CT-WSPG-4230	1279	42	30	25.2	0.73
CT-WSPG-4824	1257	48	24	23.04	0.67
CT-WSPG-4830	1326	48	30	28.8	0.83
CT-WSPG-5424	1367	54	24	25.92	0.75
CT-WSPG-5430	1395	54	30	32.4	0.94
CT-WSPG-6024	1399	60	24	28.8	0.83
CT-WSPG-6030	1434	60	30	36	1.04
CT-WSPG-6624	1472	66	24	31.68	0.92
CT-WSPG-6630	1529	66	30	39.6	1.15
CT-WSPG-7224	1503	72	24	34.56	1
CT-WSPG-7230	1549	72	30	43.2	1.25
CT-WSPG-7824	1572	78	24	37.44	1.08
CT-WSPG-7830	1624	78	30	46.8	1.35
CT-WSPG-8424	1638	84	24	40.32	1.17
CT-WSPG-8430	1693	84	30	50.4	1.46
CT-WSPG-9024	1763	90	24	43.2	1.25
CT-WSPG-9030	1824	90	30	54	1.56
CT-WSPG-9624	1846	96	24	46.08	1.33
CT-WSPG-9630	1914	96	30	57.6	1.67



straight end
right hand

straight end
left hand

What's Included:

Wave Return, grommets
(24 to 48-inch worksurfaces include one grommet, 54 to 84-inch worksurfaces include two grommets, 90 to 96-inch worksurfaces include three grommets).

Notes:

Grain direction is indicated in the above illustration.

Worksurfaces 54-inches and longer require a horizontal surface support (CH00), which must be specified separately.

How To Specify:

Specify laminate color.

The wave return work surface must be specified as left or right.

The work surface trim color will default to match the laminate color unless otherwise specified, see the laminate finish card for details.

Edge profile must be specified for 1.5-inch thick worksurfaces.

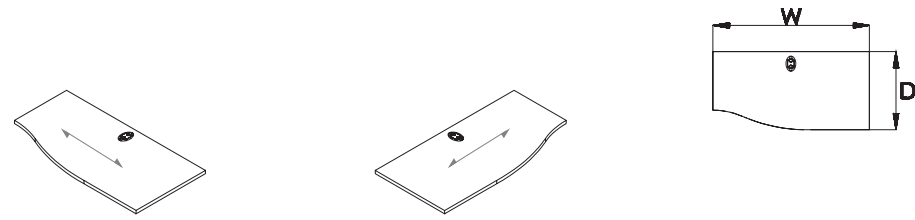
Options:

thickness	C 1-inch	CT 1.5-inch
end shape	straight end	curved end
hand	R right	L left
width	30, 36, 42, 48, 54, 60, 66, 72, 78, 84, 90, 96	
depth	24, 30, 36	
surface finish	laminate colors	
edge profile (1.5-inch only)	straight	

Code	Price	H (in)	W (in.)	Wt. (lb)	Vol. (ft ³)	Code	Price	H (in)	W (in.)	Wt. (lb)	Vol. (ft ³)
1" Thick						C-WW0G-6624-L	571	66	24	40.42	0.92
C-WW0G-3024-L	306	30	24	18.36	0.42	C-WW0G-6624-R	571	66	24	40.42	0.92
C-WW0G-3024-R	306	30	24	18.36	0.42	C-WW0G-6630-L	606	66	30	50.61	1.15
C-WW0G-3030-L	367	30	30	22.99	0.52	C-WW0G-6630-R	606	66	30	50.61	1.15
C-WW0G-3030-R	367	30	30	22.99	0.52	C-WW0G-6636-L	634	66	36	75.91	2.06
C-WW0G-3036-L	397	30	36	34.48	0.94	C-WW0G-6636-R	634	66	36	75.91	2.06
C-WW0G-3036-R	397	30	36	34.48	0.94	C-WW0G-7224-L	587	72	24	44.13	1
C-WW0G-3624-L	317	36	24	22.99	0.5	C-WW0G-7224-R	587	72	24	44.13	1
C-WW0G-3624-R	317	36	24	22.99	0.5	C-WW0G-7230-L	626	72	30	55.24	1.25
C-WW0G-3630-L	395	36	30	27.62	0.63	C-WW0G-7230-R	626	72	30	55.24	1.25
C-WW0G-3630-R	395	36	30	27.62	0.63	C-WW0G-7236-L	649	72	36	82.85	2.25
C-WW0G-3636-L	425	36	36	41.43	1.13	C-WW0G-7236-R	649	72	36	82.85	2.25
C-WW0G-3636-R	425	36	36	41.43	1.13	C-WW0G-7824-L	642	78	24	47.83	1.08
C-WW0G-4224-L	378	42	24	25.77	0.58	C-WW0G-7824-R	642	78	24	47.83	1.08
C-WW0G-4224-R	378	42	24	25.77	0.58	C-WW0G-7830-L	666	78	30	59.86	1.35
C-WW0G-4230-L	420	42	30	32.25	0.73	C-WW0G-7830-R	666	78	30	59.86	1.35
C-WW0G-4230-R	420	42	30	32.25	0.73	C-WW0G-7836-L	693	78	36	89.79	2.44
C-WW0G-4236-L	447	42	36	48.37	1.31	C-WW0G-7836-R	693	78	36	89.79	2.44
C-WW0G-4236-R	447	42	36	48.37	1.31	C-WW0G-8424-L	696	84	24	61.53	1.17
C-WW0G-4824-L	404	48	24	29.47	0.67	C-WW0G-8424-R	696	84	24	61.53	1.17
C-WW0G-4824-R	404	48	24	29.47	0.67	C-WW0G-8430-L	714	84	30	64.49	1.46
C-WW0G-4830-L	457	48	30	36.88	0.83	C-WW0G-8430-R	714	84	30	64.49	1.46
C-WW0G-4830-R	457	48	30	36.88	0.83	C-WW0G-8436-L	750	84	36	96.74	2.63
C-WW0G-4836-L	482	48	36	55.31	1.5	C-WW0G-8436-R	750	84	36	96.74	2.63
C-WW0G-4836-R	482	48	36	55.31	1.5	C-WW0G-9024-L	790	90	24	55.08	1.25
C-WW0G-5424-L	464	54	24	33.02	0.75	C-WW0G-9024-R	790	90	24	55.08	1.25
C-WW0G-5424-R	464	54	24	33.02	0.75	C-WW0G-9030-L	809	90	30	68.97	1.56
C-WW0G-5430-L	504	54	30	41.35	0.94	C-WW0G-9030-R	809	90	30	68.97	1.56
C-WW0G-5430-R	504	54	30	41.35	0.94	C-WW0G-9036-L	849	90	36	103.45	2.81
C-WW0G-5436-L	532	54	36	62.02	1.69	C-WW0G-9036-R	849	90	36	103.45	2.81
C-WW0G-5436-R	532	54	36	62.02	1.69	C-WW0G-9624-L	857	96	24	88.17	2
C-WW0G-6024-L	509	60	24	36.72	0.83	C-WW0G-9624-R	857	96	24	88.17	2
C-WW0G-6024-R	509	60	24	36.72	0.83	C-WW0G-9630-L	881	96	30	103.45	2.5
C-WW0G-6030-L	536	60	30	45.98	1.04	C-WW0G-9630-R	881	96	30	103.45	2.5
C-WW0G-6030-R	536	60	30	45.98	1.04	C-WW0G-9636-L	914	96	36	110.4	3
C-WW0G-6036-L	563	60	36	68.97	1.88	C-WW0G-9636-R	914	96	36	110.4	3
C-WW0G-6036-R	563	60	36	68.97	1.88						

Code	Price	W (in.)	D 1 (in.)	Weight (lb)	Volume (ft ³)
1.5" Thick					
CT-WW0G-3024-L	413	30	24	18.36	0.42
CT-WW0G-3024-R	413	30	24	18.36	0.42
CT-WW0G-3030-L	501	30	30	22.99	0.52
CT-WW0G-3030-R	501	30	30	22.99	0.52
CT-WW0G-3036-L	540	30	36	34.48	0.94
CT-WW0G-3036-R	540	30	36	34.48	0.94
CT-WW0G-3624-L	431	36	24	22.99	0.5
CT-WW0G-3624-R	431	36	24	22.99	0.5
CT-WW0G-3630-L	535	36	30	27.62	0.63
CT-WW0G-3630-R	535	36	30	27.62	0.63
CT-WW0G-3636-L	575	36	36	41.43	1.13
CT-WW0G-3636-R	575	36	36	41.43	1.13
CT-WW0G-4224-L	507	42	24	25.77	0.58
CT-WW0G-4224-R	507	42	24	25.77	0.58
CT-WW0G-4230-L	569	42	30	32.25	0.73
CT-WW0G-4230-R	569	42	30	32.25	0.73
CT-WW0G-4236-L	603	42	36	48.37	1.31
CT-WW0G-4236-R	603	42	36	48.37	1.31
CT-WW0G-4824-L	545	48	24	29.47	0.67
CT-WW0G-4824-R	545	48	24	29.47	0.67
CT-WW0G-4830-L	614	48	30	36.88	0.83
CT-WW0G-4830-R	614	48	30	36.88	0.83
CT-WW0G-4836-L	650	48	36	55.31	1.5
CT-WW0G-4836-R	650	48	36	55.31	1.5
CT-WW0G-5424-L	628	54	24	33.02	0.75
CT-WW0G-5424-R	628	54	24	33.02	0.75
CT-WW0G-5430-L	679	54	30	41.35	0.94
CT-WW0G-5430-R	679	54	30	41.35	0.94
CT-WW0G-5436-L	714	54	36	62.02	1.69
CT-WW0G-5436-R	714	54	36	62.02	1.69
CT-WW0G-6024-L	690	60	24	36.72	0.83
CT-WW0G-6024-R	690	60	24	36.72	0.83
CT-WW0G-6030-L	726	60	30	45.98	1.04
CT-WW0G-6030-R	726	60	30	45.98	1.04
CT-WW0G-6036-L	755	60	36	68.97	1.88
CT-WW0G-6036-R	755	60	36	68.97	1.88

Code	Price	W (in.)	D 1 (in.)	Weight (lb)	Volume (ft ³)
CT-WW0G-6624-L	772	66	24	40.42	0.92
CT-WW0G-6624-R	772	66	24	40.42	0.92
CT-WW0G-6630-L	820	66	30	50.61	1.15
CT-WW0G-6630-R	820	66	30	50.61	1.15
CT-WW0G-6636-L	855	66	36	75.91	2.06
CT-WW0G-6636-R	855	66	36	75.91	2.06
CT-WW0G-7224-L	795	72	24	44.13	1
CT-WW0G-7224-R	795	72	24	44.13	1
CT-WW0G-7230-L	845	72	30	55.24	1.25
CT-WW0G-7230-R	845	72	30	55.24	1.25
CT-WW0G-7236-L	879	72	36	82.85	2.25
CT-WW0G-7236-R	879	72	36	82.85	2.25
CT-WW0G-7824-L	867	78	24	47.83	1.08
CT-WW0G-7824-R	867	78	24	47.83	1.08
CT-WW0G-7830-L	898	78	30	59.86	1.35
CT-WW0G-7830-R	898	78	30	59.86	1.35
CT-WW0G-7836-L	933	78	36	89.79	2.44
CT-WW0G-7836-R	933	78	36	89.79	2.44
CT-WW0G-8424-L	935	84	24	61.53	1.17
CT-WW0G-8424-R	935	84	24	61.53	1.17
CT-WW0G-8430-L	966	84	30	64.49	1.46
CT-WW0G-8430-R	966	84	30	64.49	1.46
CT-WW0G-8436-L	1013	84	36	96.74	2.63
CT-WW0G-8436-R	1013	84	36	96.74	2.63
CT-WW0G-9024-L	1064	90	24	55.08	1.25
CT-WW0G-9024-R	1064	90	24	55.08	1.25
CT-WW0G-9030-L	1092	90	30	68.97	1.56
CT-WW0G-9030-R	1092	90	30	68.97	1.56
CT-WW0G-9036-L	1142	90	36	103.45	2.81
CT-WW0G-9036-R	1142	90	36	103.45	2.81
CT-WW0G-9624-L	1158	96	24	88.17	2
CT-WW0G-9624-R	1158	96	24	88.17	2
CT-WW0G-9630-L	1189	96	30	103.45	2.5
CT-WW0G-9630-R	1189	96	30	103.45	2.5
CT-WW0G-9636-L	1235	96	36	110.4	3
CT-WW0G-9636-R	1235	96	36	110.4	3



curved end right hand

curved end left hand

What's Included:

Wave Return, grommets (24 to 48-inch worksurfaces include one grommet, 54 to 84-inch worksurfaces include two grommets, 90 to 96-inch worksurfaces include three grommets).

Notes:

Grain direction is indicated in the above illustration.

Worksurfaces 54-inches and longer require a horizontal surface support (CH00), which must be specified separately.

How To Specify:

Specify laminate color.

The wave return worksurface must be specified as left or right.

The worksurface trim color will default to match the laminate color unless otherwise specified, see the laminate finish card for details.

Edge profile must be specified for 1.5-inch thick worksurfaces.

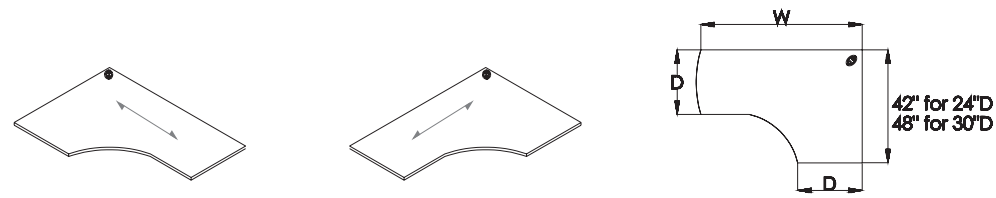
Options:

thickness	C 1-inch	CT 1.5-inch
end shape	straight end	curved end
hand	R right	L left
width	30, 36, 42, 48, 54, 60, 66, 72, 78, 84, 90, 96	
depth	24, 30, 36	
surface finish	laminate colors	
edge profile (1.5-inch only)	straight	

Code	Price	H (in)	W (in.)	Wt. (lb)	Vol. (ft ³)	Code	Price	H (in)	W (in.)	Wt. (lb)	Vol. (ft ³)
1" Thick - Right Hand						1" Thick - Left Hand					
C-WWRG-3024-R	318	30	24	18.36	0.42	C-WWLG-3024-L	318	30	24	18.36	0.42
C-WWRG-3030-R	389	30	30	22.99	0.52	C-WWLG-3030-L	389	30	30	22.99	0.52
C-WWRG-3624-R	337	36	24	22.99	0.5	C-WWLG-3624-L	337	36	24	22.99	0.5
C-WWRG-3630-R	415	36	30	27.62	0.63	C-WWLG-3630-L	415	36	30	27.62	0.63
C-WWRG-4224-R	395	42	24	25.77	0.58	C-WWLG-4224-L	395	42	24	25.77	0.58
C-WWRG-4230-R	444	42	30	32.25	0.73	C-WWLG-4230-L	444	42	30	32.25	0.73
C-WWRG-4824-R	425	48	24	29.47	0.67	C-WWLG-4824-L	425	48	24	29.47	0.67
C-WWRG-4830-R	480	48	30	36.88	0.83	C-WWLG-4830-L	480	48	30	36.88	0.83
C-WWRG-5424-R	485	54	24	33.02	0.75	C-WWLG-5424-L	485	54	24	33.02	0.75
C-WWRG-5430-R	532	54	30	41.35	0.94	C-WWLG-5430-L	532	54	30	41.35	0.94
C-WWRG-6024-R	536	60	24	36.72	0.83	C-WWLG-6024-L	536	60	24	36.72	0.83
C-WWRG-6030-R	563	60	30	45.98	1.04	C-WWLG-6030-L	563	60	30	45.98	1.04
C-WWRG-6624-R	597	66	24	40.42	0.92	C-WWLG-6624-L	597	66	24	40.42	0.92
C-WWRG-6630-R	638	66	30	50.61	1.15	C-WWLG-6630-L	638	66	30	50.61	1.15
C-WWRG-7224-R	614	72	24	44.13	1	C-WWLG-7224-L	614	72	24	44.13	1
C-WWRG-7230-R	650	72	30	55.24	1.25	C-WWLG-7230-L	650	72	30	55.24	1.25
C-WWRG-7824-R	668	78	24	47.83	1.08	C-WWLG-7824-L	668	78	24	47.83	1.08
C-WWRG-7830-R	697	78	30	59.86	1.35	C-WWLG-7830-L	697	78	30	59.86	1.35
C-WWRG-8424-R	726	84	24	61.53	1.17	C-WWLG-8424-L	726	84	24	61.53	1.17
C-WWRG-8430-R	746	84	30	64.49	1.46	C-WWLG-8430-L	746	84	30	64.49	1.46
C-WWRG-9024-R	820	90	24	55.08	1.25	C-WWLG-9024-L	820	90	24	55.08	1.25
C-WWRG-9030-R	846	90	30	68.97	1.56	C-WWLG-9030-L	846	90	30	68.97	1.56

Code	Price	W (in.)	D 1 (in.)	Weight (lb)	Volume (ft ³)
1.5" Thick - Right Hand					
CT-WWRG-3024-R	432	30	24	18.36	0.42
CT-WWRG-3030-R	529	30	30	22.99	0.52
CT-WWRG-3624-R	448	36	24	22.99	0.5
CT-WWRG-3630-R	563	36	30	27.62	0.63
CT-WWRG-4224-R	535	42	24	25.77	0.58
CT-WWRG-4230-R	597	42	30	32.25	0.73
CT-WWRG-4824-R	575	48	24	29.47	0.67
CT-WWRG-4830-R	646	48	30	36.88	0.83
CT-WWRG-5424-R	658	54	24	33.02	0.75
CT-WWRG-5430-R	714	54	30	41.35	0.94
CT-WWRG-6024-R	726	60	24	36.72	0.83
CT-WWRG-6030-R	755	60	30	45.98	1.04
CT-WWRG-6624-R	807	66	24	40.42	0.92
CT-WWRG-6630-R	857	66	30	50.61	1.15
CT-WWRG-7224-R	831	72	24	44.13	1
CT-WWRG-7230-R	880	72	30	55.24	1.25
CT-WWRG-7824-R	902	78	24	47.83	1.08
CT-WWRG-7830-R	939	78	30	59.86	1.35
CT-WWRG-8424-R	978	84	24	61.53	1.17
CT-WWRG-8430-R	1008	84	30	64.49	1.46
CT-WWRG-9024-R	1104	90	24	55.08	1.25
CT-WWRG-9030-R	1139	90	30	68.97	1.56

Code	Price	W (in.)	D 1 (in.)	Weight (lb)	Volume (ft ³)
1.5" Thick - Left Hand					
CT-WWLG-3024-L	432	30	24	18.36	0.42
CT-WWLG-3030-L	529	30	30	22.99	0.52
CT-WWLG-3624-L	448	36	24	22.99	0.5
CT-WWLG-3630-L	563	36	30	27.62	0.63
CT-WWLG-4224-L	535	42	24	25.77	0.58
CT-WWLG-4230-L	597	42	30	32.25	0.73
CT-WWLG-4824-L	575	48	24	29.47	0.67
CT-WWLG-4830-L	646	48	30	36.88	0.83
CT-WWLG-5424-L	658	54	24	33.02	0.75
CT-WWLG-5430-L	714	54	30	41.35	0.94
CT-WWLG-6024-L	726	60	24	36.72	0.83
CT-WWLG-6030-L	755	60	30	45.98	1.04
CT-WWLG-6624-L	807	66	24	40.42	0.92
CT-WWLG-6630-L	857	66	30	50.61	1.15
CT-WWLG-7224-L	831	72	24	44.13	1
CT-WWLG-7230-L	880	72	30	55.24	1.25
CT-WWLG-7824-L	902	78	24	47.83	1.08
CT-WWLG-7830-L	939	78	30	59.86	1.35
CT-WWLG-8424-L	978	84	24	61.53	1.17
CT-WWLG-8430-L	1008	84	30	64.49	1.46
CT-WWLG-9024-L	1104	90	24	55.08	1.25
CT-WWLG-9030-L	1139	90	30	68.97	1.56



straight end
right hand

straight end
left hand

What's Included:

Extended Corner with curved front, grommets (48-inch worksurfaces include one grommet, 54-inch worksurfaces and above include two grommets).

Notes:

Grain direction is indicated in the above illustration.

Worksurfaces 54-inches and longer require a horizontal surface support (CH00), which must be specified separately.

How To Specify:

Specify laminate color.

The straight worksurface with curved end must be specified as left or right. When the straight end is specified, the handed end will be longer. When the curved end is specified, the handed end will be longer and curved.

The worksurface trim color will default to match the laminate color unless otherwise specified, see the laminate finish card for details.

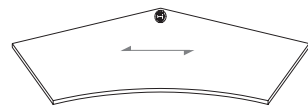
Edge profile must be specified for 1.5-inch thick worksurfaces.

Keyboard tray can be mounted to this worksurface. Refer to the Accessories section [on page 166](#) for details.

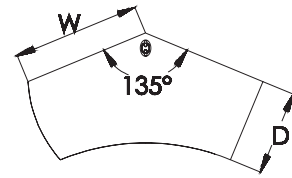
Options:

thickness	C 1-inch	CT 1.5-inch
hand	R right	L left
width	36, 42, 48	
depth	18, 24, 30	
length	48, 54, 60, 66, 72	
surface finish	laminate colors	
edge profile (1.5-inch only)	straight	

Code	Price	H (in)	W (in.)	Wt. (lb)	Vol. (ft ³)	Code	Price	H (in)	W (in.)	Wt. (lb)	Vol. (ft ³)
1" Thick - Straight End						1.5" Thick - Straight End					
C-W5E0-4218-L	667	42	18	29.09	0.8	CT-W5E0-4218-L	900	42	18	29.09	0.8
C-W5E0-4218-R	667	42	18	29.09	0.8	CT-W5E0-4218-R	900	42	18	29.09	0.8
C-W5E0-4818-L	700	48	18	33.23	0.9	CT-W5E0-4818-L	946	48	18	33.23	0.9
C-W5E0-4818-R	700	48	18	33.23	0.9	CT-W5E0-4818-R	946	48	18	33.23	0.9
C-W5E0-4824-L	735	48	24	38.77	1.2	CT-W5E0-4824-L	990	48	24	38.77	1.2
C-W5E0-4824-R	735	48	24	38.77	1.2	CT-W5E0-4824-R	990	48	24	38.77	1.2
C-W5E0-5418-L	745	54	18	37.38	1	CT-W5E0-5418-L	1007	54	18	37.38	1
C-W5E0-5418-R	745	54	18	37.38	1	CT-W5E0-5418-R	1007	54	18	37.38	1
C-W5E0-5424-L	773	54	24	43.62	1.3	CT-W5E0-5424-L	1042	54	24	43.62	1.3
C-W5E0-5424-R	773	54	24	43.62	1.3	CT-W5E0-5424-R	1042	54	24	43.62	1.3
C-W5E0-5430-L	843	54	30	49.85	1.5	CT-W5E0-5430-L	1134	54	30	49.85	1.5
C-W5E0-5430-R	843	54	30	49.85	1.5	CT-W5E0-5430-R	1134	54	30	49.85	1.5
C-W5E0-6018-L	776	60	18	41.54	1.1	CT-W5E0-6018-L	1049	60	18	41.54	1.1
C-W5E0-6018-R	776	60	18	41.54	1.1	CT-W5E0-6018-R	1049	60	18	41.54	1.1
C-W5E0-6024-L	815	60	24	48.46	1.5	CT-W5E0-6024-L	1101	60	24	48.46	1.5
C-W5E0-6024-R	815	60	24	48.46	1.5	CT-W5E0-6024-R	1101	60	24	48.46	1.5
C-W5E0-6030-L	910	60	30	55.38	1.7	CT-W5E0-6030-L	1234	60	30	55.38	1.7
C-W5E0-6030-R	910	60	30	55.38	1.7	CT-W5E0-6030-R	1234	60	30	55.38	1.7
C-W5E0-6630-L	981	66	30	60.92	1.9	CT-W5E0-6630-L	1350	66	30	60.92	1.9
C-W5E0-6630-R	981	66	30	60.92	1.9	CT-W5E0-6630-R	1350	66	30	60.92	1.9
C-W5E0-7230-L	1048	72	30	66.46	2.1	CT-W5E0-7230-L	1444	72	30	66.46	2.1
C-W5E0-7230-R	1048	72	30	66.46	2.1	CT-W5E0-7230-R	1444	72	30	66.46	2.1



straight ends



What's Included:

Angled Worksurface with curved front (135-degree), grommet

Notes:

Grain direction is indicated in the above illustration.

How To Specify:

Specify laminate color.

The worksurface trim color will default to match the laminate color unless otherwise specified, see the laminate finish card for details.

Edge profile must be specified for 1.5-inch thick worksurfaces.

Keyboard tray can be mounted to this worksurface. Refer to the Accessories section [on page 166](#) for details.

Options:

thickness	C 1-inch	CT 1.5-inch
end shape	straight	
width	24, 30, 36, 42, 48	
depth	18, 24, 30	
surface finish	laminate colors	
edge profile (1.5-inch only)	straight	

Code	Price	W (in.)	D 1 (in.)	Weight (lb)	Volume (ft ³)
1" Thick					
C-WA00-2418	457	24	18	20	0.47
C-WA00-2424	515	24	24	24	0.56
C-WA00-3018	602	30	18	26	0.67
C-WA00-3024	627	30	24	28	0.75
C-WA00-3030	713	30	30	30	0.84
C-WA00-3618	679	36	18	28	0.91
C-WA00-3624	785	36	24	30	1.01
C-WA00-3630	892	36	30	32	1.11
C-WA00-4218	781	42	18	30	1.1
C-WA00-4224	870	42	24	32	1.2
C-WA00-4230	952	42	30	34	1.4
C-WA00-4818	944	48	18	32	1.3
C-WA00-4824	1071	48	24	34	1.4
C-WA00-4830	1172	48	30	36	1.6
1.5" Thick					
CT-WA00-2418	614	24	18	20	0.47
CT-WA00-2424	696	24	24	24	0.56
CT-WA00-3018	814	30	18	26	0.67
CT-WA00-3024	846	30	24	28	0.75
CT-WA00-3030	963	30	30	30	0.84
CT-WA00-3618	921	36	18	28	0.91
CT-WA00-3624	1056	36	24	30	1.01
CT-WA00-3630	1202	36	30	32	1.11
CT-WA00-4218	1049	42	18	30	1.1
CT-WA00-4224	1180	42	24	32	1.2
CT-WA00-4230	1302	42	30	34	1.4
CT-WA00-4818	1293	48	18	32	1.3
CT-WA00-4824	1472	48	24	34	1.4
CT-WA00-4830	1624	48	30	36	1.6



straight ends

What's Included:

Flexed Worksurface with curved front (120-degree), grommet

Notes:

Grain direction is indicated in the above illustration.

How To Specify:

Specify laminate color.

The worksurface trim color will default to match the laminate color unless otherwise specified, see the laminate finish card for details.

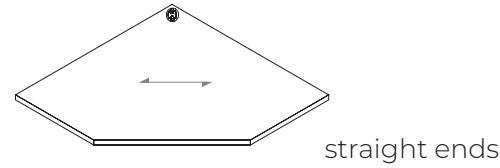
Edge profile must be specified for 1.5-inch thick worksurfaces.

Keyboard tray can be mounted to this worksurface. Refer to the Accessories section [on page 166](#) for details.

Options:

thickness	C 1-inch	CT 1.5-inch
end shape	O straight	
width	24, 30, 36, 42, 48, 54	
depth	18, 24, 30	
surface finish	laminate colors	
edge profile (1.5-inch only)	straight	

Code	Price	W (in.)	D 1 (in.)	Weight (lb)	Volume (ft ³)
1" Thick					
C-WF00-2418	447	24	18	5.18	0.25
C-WF00-3018	545	30	18	6.48	0.31
C-WF00-3024	629	36	18	7.78	0.38
C-WF00-3618	690	42	18	28	0.44
C-WF00-3624	773	48	18	10.37	0.5
C-WF00-3630	785	54	18	11.66	0.56
C-WF00-4218	781	30	24	8.64	0.42
C-WF00-4224	854	36	24	10.37	0.5
C-WF00-4230	871	42	24	12.1	0.58
C-WF00-4818	958	48	24	13.82	0.67
C-WF00-4824	1056	54	24	15.55	0.75
C-WF00-4830	1078	36	30	12.96	0.63
C-WF00-5418	1121	42	30	15.12	0.73
C-WF00-5424	1220	48	30	17.28	0.83
C-WF00-5430	1244	54	30	19.44	0.94
1.5" Thick					
CT-WF00-2418	603	24	18	5.18	0.25
CT-WF00-3018	738	30	18	6.48	0.31
CT-WF00-3024	850	36	18	7.78	0.38
CT-WF00-3618	932	42	18	28	0.44
CT-WF00-3624	1042	48	18	10.37	0.5
CT-WF00-3630	1056	54	18	11.66	0.56
CT-WF00-4218	1051	30	24	8.64	0.42
CT-WF00-4224	1158	36	24	10.37	0.5
CT-WF00-4230	1189	42	24	12.1	0.58
CT-WF00-4818	1320	48	24	13.82	0.67
CT-WF00-4824	1455	54	24	15.55	0.75
CT-WF00-4830	1496	36	30	12.96	0.63
CT-WF00-5418	1549	42	30	15.12	0.73
CT-WF00-5424	1697	48	30	17.28	0.83
CT-WF00-5430	1744	54	30	19.44	0.94



What's Included:

5-Sided Corner Workspace with straight front, grommet

Notes:

Grain direction is indicated in the above illustration.

How To Specify:

Specify laminate color.

The worksurface trim color will default to match the laminate color unless otherwise specified, see the laminate finish card for details.

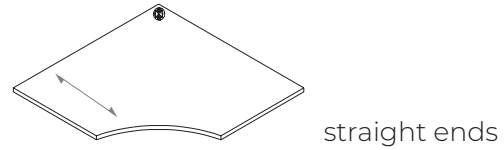
Edge profile must be specified for 1.5-inch thick worksurfaces.

Keyboard tray can be mounted to this worksurface. Refer to the Accessories section [on page 166](#) for details.

Options:

thickness	C 1-inch	CT 1.5-inch
width	36, 42, 48	
depth	18, 24, 30	
surface finish	laminate colors	
edge profile (1.5-inch only)	straight	

Code	Price	W (in.)	D 1 (in.)	Weight (lb)	Volume (ft ³)
1" Thick					
C-W5S0-3618	601	36	18	39.94	1.13
C-W5S0-3624	601	36	24	40.5	1.13
C-W5S0-4224	726	42	24	57.99	1.53
C-W5S0-4824	755	48	24	71.18	2
C-W5S0-4830	755	48	30	78.82	2
1.5" Thick					
CT-W5S0-3618	810	36	18	39.94	1.13
CT-W5S0-3624	810	36	24	40.5	1.13
CT-W5S0-4224	978	42	24	57.99	1.53
CT-W5S0-4824	1023	48	24	71.18	2
CT-W5S0-4830	1023	48	30	78.82	2



What's Included:

5-Sided Corner Workspace with curved front, grommet

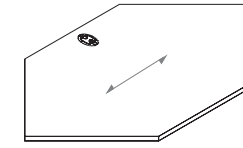
Notes:

Grain direction is indicated in the above illustration.

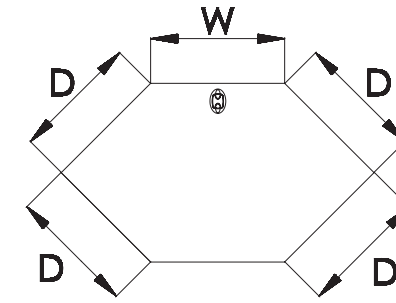
Options:

thickness	C 1-inch	CT 1.5-inch
width	36, 42, 48	
depth	18, 24, 30	
surface finish	laminate colors	
edge profile (1.5-inch only)	straight	

Code	Price	W (in.)	D 1 (in.)	Weight (lb)	Volume (ft ³)
1" Thick					
C-W5C0-3618	601	36	18	26.63	0.75
C-W5C0-3624	601	36	24	27	0.75
C-W5C0-4224	726	42	24	38.66	1.02
C-W5C0-4824	755	48	24	47.45	1.33
C-W5C0-4830	755	48	30	52.55	1.33
1.5" Thick					
CT-W5C0-3618	810	36	18	26.63	0.75
CT-W5C0-3624	810	36	24	27	0.75
CT-W5C0-4224	978	42	24	38.66	1.02
CT-W5C0-4824	1023	48	24	47.45	1.33
CT-W5C0-4830	1023	48	30	52.55	1.33



straight front



What's Included:

6-Sided Corner Workspace with grommet.

Notes:

Grain direction is indicated in the above illustration.

How To Specify:

Specify laminate color.

The workspace trim color will default to match the laminate color unless otherwise specified, see the laminate finish card for details.

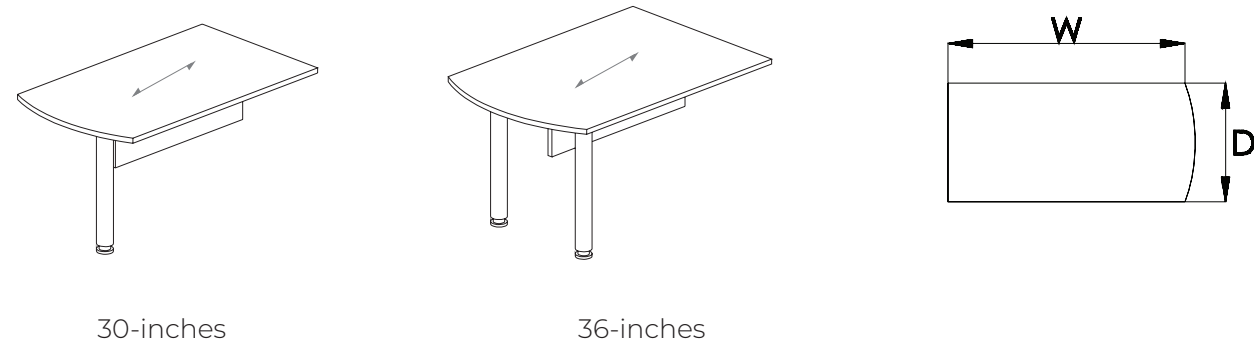
Edge profile must be specified for 1.5-inch thick worksurfaces.

Keyboard tray can be mounted to this workspace. Refer to the Accessories section [on page 166](#) for details.

Options:

thickness	C 1-inch	CT 1.5-inch
end shape	O straight	
width	24	
depth	24, 30	
surface finish	laminate colors	
edge profile (1.5-inch only)	straight	

Code	Price	W (in.)	D 1 (in.)	Weight (lb)	Volume (ft ³)
1" Thick					
C-W6SG-2424	735	24	24	27	0.75
C-W6SG-3024	773	30	24	27	0.87
1.5" Thick					
CT-W6CG-2424	990	24	24	27	0.75
CT-W6CG-3024	1042	30	24	27	0.87



What's Included:

Panel-Mounted D-Table, metal support post, laminate partial modesty panel.

Notes:

Grain direction is indicated in the above illustration.

How To Specify:

Specify laminate color.

The worksurface trim color will default to match the laminate color unless otherwise specified, see the laminate finish card for details.

Edge profile must be specified for 1.5-inch thick worksurfaces.

The color of the modesty panel will default to match the worksurface.

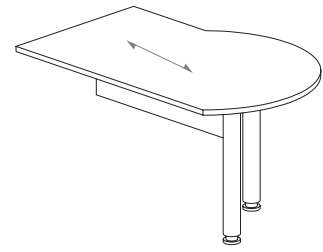
Options:

thickness	C 1-inch	CT 1.5-inch
width	60, 66, 72, 78, 84	
depth	30, 36	
surface finish	laminate colors	
edge profile (1.5-inch only)	straight	
support finish	metal colors	

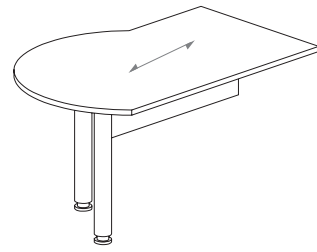
How to Order and Read your Code:

C or CT	WD00	72	36
product line	item	width	depth

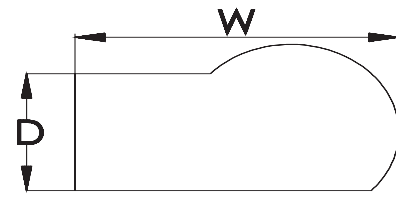
Code	Price	H (in)	W (in.)	Wt. (lb)	Vol. (ft ³)	Code	Price	H (in)	W (in.)	Wt. (lb)	Vol. (ft ³)
1" Thick - Without Grommet						1.5" Thick - Without Grommet					
C-WD00-6030	735	60	30	63.27	1.04	CT-WD00-6030	880	60	30	63.27	1.04
C-WD00-6036	805	60	36	78.14	1.25	CT-WD00-6036	966	60	36	78.14	1.25
C-WD00-6630	867	66	30	69.75	1.15	CT-WD00-6630	1040	66	30	69.75	1.15
C-WD00-6636	952	66	36	85.54	1.38	CT-WD00-6636	1141	66	36	85.54	1.38
C-WD00-7230	934	72	30	76.22	1.25	CT-WD00-7230	1122	72	30	76.22	1.25
C-WD00-7236	1025	72	36	92.94	1.5	CT-WD00-7236	1234	72	36	92.94	1.5
C-WD00-7830	1080	78	30	82.7	1.35	CT-WD00-7830	1295	78	30	82.7	1.35
C-WD00-7836	1185	78	36	100.34	1.63	CT-WD00-7836	1425	78	36	100.34	1.63
C-WD00-8430	1136	84	30	89.18	1.46	CT-WD00-8430	1360	84	30	89.18	1.46
C-WD00-8436	1246	84	36	107.74	1.75	CT-WD00-8436	1497	84	36	107.74	1.75
1" Thick - With Grommet						1.5" Thick - Without Grommet					
C-WD0G-6030	754	60	30	63.27	1.04	CT-WD0G-6030	905	60	30	63.27	1.04
C-WD0G-6036	827	60	36	78.14	1.25	CT-WD0G-6036	997	60	36	78.14	1.25
C-WD0G-6630	888	66	30	69.75	1.15	CT-WD0G-6630	1064	66	30	69.75	1.15
C-WD0G-6636	978	66	36	85.54	1.38	CT-WD0G-6636	1168	66	36	85.54	1.38
C-WD0G-7230	956	72	30	76.22	1.25	CT-WD0G-7230	1147	72	30	76.22	1.25
C-WD0G-7236	1051	72	36	92.94	1.5	CT-WD0G-7236	1256	72	36	92.94	1.5
C-WD0G-7830	1102	78	30	82.7	1.35	CT-WD0G-7830	1326	78	30	82.7	1.35
C-WD0G-7836	1208	78	36	100.34	1.63	CT-WD0G-7836	1449	78	36	100.34	1.63
C-WD0G-8430	1157	84	30	89.18	1.46	CT-WD0G-8430	1390	84	30	89.18	1.46
C-WD0G-8436	1273	84	36	107.74	1.75	CT-WD0G-8436	1525	84	36	107.74	1.75



Right hand



Left hand



What's Included:

Panel-Mounted P-Table, 2 metal support posts, laminate partial modesty panel.

Notes:

Grain direction is indicated in the above illustration.

How To Specify:

Specify laminate color.

The panel-mounted P-table must be specified as left or right. The handed end has a bubble on the outside.

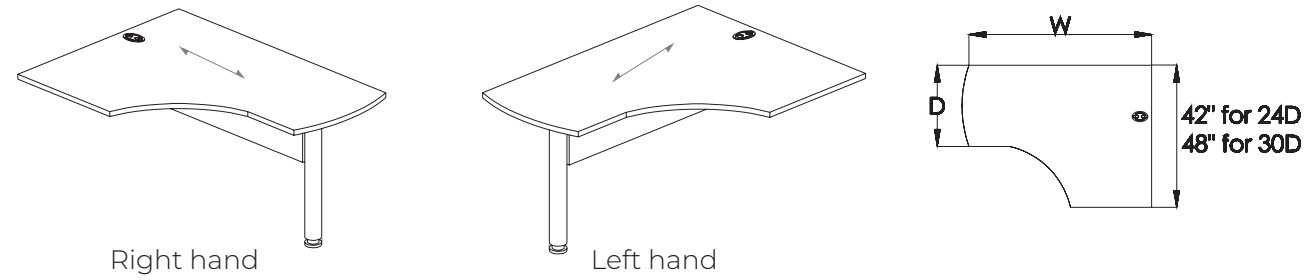
The worksurface trim color will default to match the laminate color unless otherwise specified, see the laminate finish card for details.

Edge profile must be specified for 1.5-inch thick worksurfaces. The color of the modesty panel will default to match the worksurface.

Options:

thickness	C 1-inch	CT 1.5-inch
width	60, 66, 72, 78, 84	
depth	30, 36	
hand	R right	L left
surface finish	laminate colors	
edge profile (1.5-inch only)	straight	
support finish	metal colors	

Code	Price	H (in)	W (in.)	Wt. (lb)	Vol. (ft ³)	Code	Price	H (in)	W (in.)	Wt. (lb)	Vol. (ft ³)
1" Thick - Without Grommet						1.5" Thick - Without Grommet					
C-WP00-6030-L	801	60	30	73.13	1.04	CT-WP00-6030-L	963	60	30	73.13	1.04
C-WP00-6030-R	801	60	30	73.13	1.04	CT-WP00-6030-R	963	60	30	73.13	1.04
C-WP00-6036-L	893	60	36	77	1.25	CT-WP00-6036-L	1075	60	36	77	1.25
C-WP00-6036-R	893	60	36	77	1.25	CT-WP00-6036-R	1075	60	36	77	1.25
C-WP00-6630-L	908	66	30	79.59	1.15	CT-WP00-6630-L	1091	66	30	79.59	1.15
C-WP00-6630-R	908	66	30	79.59	1.15	CT-WP00-6630-R	1091	66	30	79.59	1.15
C-WP00-6636-L	1001	66	36	83	1.38	CT-WP00-6636-L	1200	66	36	83	1.38
C-WP00-6636-R	1001	66	36	83	1.38	CT-WP00-6636-R	1200	66	36	83	1.38
C-WP00-7230-L	969	72	30	86.07	1.25	CT-WP00-7230-L	1162	72	30	86.07	1.25
C-WP00-7230-R	969	72	30	86.07	1.25	CT-WP00-7230-R	1162	72	30	86.07	1.25
C-WP00-7236-L	1057	72	36	90	1.5	CT-WP00-7236-L	1274	72	36	90	1.5
C-WP00-7236-R	1057	72	36	90	1.5	CT-WP00-7236-R	1274	72	36	90	1.5
C-WP00-7830-L	1136	78	30	92.55	1.35	CT-WP00-7830-L	1360	78	30	92.55	1.35
C-WP00-7830-R	1136	78	30	92.55	1.35	CT-WP00-7830-R	1360	78	30	92.55	1.35
C-WP00-7836-L	1224	78	36	96	1.63	CT-WP00-7836-L	1472	78	36	96	1.63
C-WP00-7836-R	1224	78	36	96	1.63	CT-WP00-7836-R	1472	78	36	96	1.63
C-WP00-8430-L	1222	84	30	99.02	1.46	CT-WP00-8430-L	1471	84	30	99.02	1.46
C-WP00-8430-R	1222	84	30	99.02	1.46	CT-WP00-8430-R	1471	84	30	99.02	1.46
C-WP00-8436-L	1339	84	36	103	1.75	CT-WP00-8436-L	1604	84	36	103	1.75
C-WP00-8436-R	1339	84	36	103	1.75	CT-WP00-8436-R	1604	84	36	103	1.75
1" Thick - With Grommet						1.5" Thick - With Grommet					
C-WP0G-6030-L	814	60	30	80	0.8	CT-WP0G-6030-L	975	60	30	80	0.8
C-WP0G-6030-R	814	60	30	80	0.8	CT-WP0G-6030-R	975	60	30	80	0.8
C-WP0G-6036-L	905	60	36	80	1	CT-WP0G-6036-L	1085	60	36	80	1
C-WP0G-6036-R	905	60	36	80	1	CT-WP0G-6036-R	1085	60	36	80	1
C-WP0G-6630-L	923	66	30	83	0.9	CT-WP0G-6630-L	1103	66	30	83	0.9
C-WP0G-6630-R	923	66	30	83	0.9	CT-WP0G-6630-R	1103	66	30	83	0.9
C-WP0G-6636-L	1014	66	36	83	1.2	CT-WP0G-6636-L	1217	66	36	83	1.2
C-WP0G-6636-R	1014	66	36	83	1.2	CT-WP0G-6636-R	1217	66	36	83	1.2
C-WP0G-7230-L	981	72	30	86	1	CT-WP0G-7230-L	1176	72	30	86	1
C-WP0G-7230-R	981	72	30	86	1	CT-WP0G-7230-R	1176	72	30	86	1
C-WP0G-7236-L	1075	72	36	86	1.3	CT-WP0G-7236-L	1284	72	36	86	1.3
C-WP0G-7236-R	1075	72	36	86	1.3	CT-WP0G-7236-R	1284	72	36	86	1.3
C-WP0G-7830-L	1150	78	30	89	1.1	CT-WP0G-7830-L	1377	78	30	89	1.1
C-WP0G-7830-R	1150	78	30	89	1.1	CT-WP0G-7830-R	1377	78	30	89	1.1
C-WP0G-7836-L	1241	78	36	89	1.4	CT-WP0G-7836-L	1484	78	36	89	1.4
C-WP0G-7836-R	1241	78	36	89	1.4	CT-WP0G-7836-R	1484	78	36	89	1.4
C-WP0G-8430-L	1238	84	30	99.02	1.46	CT-WP0G-8430-L	1483	84	30	99.02	1.46
C-WP0G-8430-R	1238	84	30	99.02	1.46	CT-WP0G-8430-R	1483	84	30	99.02	1.46
C-WP0G-8436-L	1351	84	36	103	1.75	CT-WP0G-8436-L	1616	84	36	103	1.75
C-WP0G-8436-R	1351	84	36	103	1.75	CT-WP0G-8436-R	1616	84	36	103	1.75



What's Included:

Panel-Mounted J-Table, grommet, metal support post, laminate partial modesty panel.

Notes:

Grain direction is indicated in the above illustration.

How To Specify:

Specify laminate color.

Specify metal color for support posts.

The panel-mounted J-table must be specified as left or right. The handed end is the longer side of the J-tab

The worksurface trim color will default to match the laminate color unless otherwise specified, see the laminate finish card for details.

Edge profile must be specified for 1.5-inch thick worksurfaces.

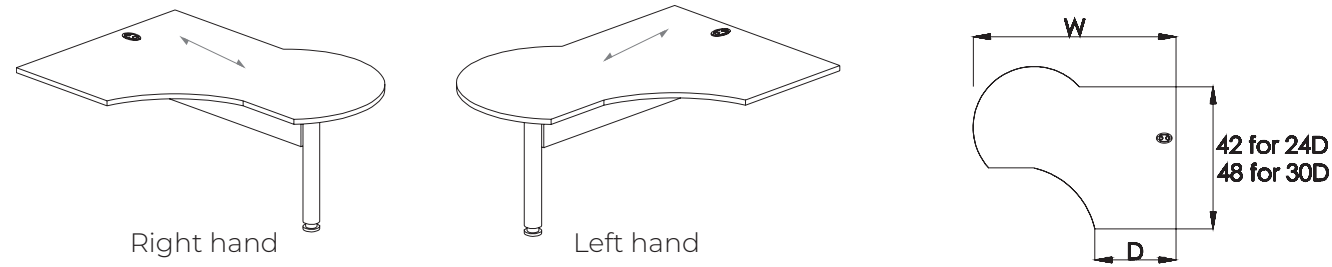
The color of the modesty will default to match the worksurface.

Keyboard tray can be mounted to this worksurface. Refer to the Accessories section [on page 166](#) for details.

Options:

thickness	C 1-inch	CT 1.5-inch
width	60, 66, 72, 78	
depth	24, 30	
hand	R right	L left
surface finish	laminate colors	
edge profile (1.5-inch only)	straight	
support finish	metal colors	

Code	Price	W (in.)	D 1 (in.)	Weight (lb)	Volume (ft ³)
1" Thick					
C-WJ0G-6024-L	1079	60	24	120	1.25
C-WJ0G-6024-R	1079	60	24	120	1.25
C-WJ0G-6030-L	1156	60	30	120	1.56
C-WJ0G-6030-R	1156	60	30	120	1.56
C-WJ0G-6624-L	1147	66	24	124.5	1.38
C-WJ0G-6624-R	1147	66	24	124.5	1.38
C-WJ0G-6630-L	1243	66	30	124.5	1.72
C-WJ0G-6630-R	1243	66	30	124.5	1.72
C-WJ0G-7224-L	1235	72	24	129	1.5
C-WJ0G-7224-R	1235	72	24	129	1.5
C-WJ0G-7230-L	1308	72	30	129	1.88
C-WJ0G-7230-R	1308	72	30	129	1.88
C-WJ0G-7824-L	1304	78	24	133.5	1.63
C-WJ0G-7824-R	1304	78	24	133.5	1.63
C-WJ0G-7830-L	1459	78	30	133.5	2.03
C-WJ0G-7830-R	1459	78	30	133.5	2.03
1.5" Thick					
CT-WJ0G-6024-L	1294	60	24	120	1.25
CT-WJ0G-6024-R	1294	60	24	120	1.25
CT-WJ0G-6030-L	1389	60	30	120	1.56
CT-WJ0G-6030-R	1389	60	30	120	1.56
CT-WJ0G-6624-L	1378	66	24	124.5	1.38
CT-WJ0G-6624-R	1378	66	24	124.5	1.38
CT-WJ0G-6630-L	1492	66	30	124.5	1.72
CT-WJ0G-6630-R	1492	66	30	124.5	1.72
CT-WJ0G-7224-L	1484	72	24	129	1.5
CT-WJ0G-7224-R	1484	72	24	129	1.5
CT-WJ0G-7230-L	1573	72	30	129	1.88
CT-WJ0G-7230-R	1573	72	30	129	1.88
CT-WJ0G-7824-L	1564	78	24	133.5	1.63
CT-WJ0G-7824-R	1564	78	24	133.5	1.63
CT-WJ0G-7830-L	1750	78	30	133.5	2.03
CT-WJ0G-7830-R	1750	78	30	133.5	2.03



What's Included:

Panel-Mounted Y-Table, metal support posts, laminate partial modesty panel.

Notes:

Grain direction is indicated in the above illustration.

How To Specify:

Specify laminate color.

Specify metal color for support posts.

The panel-mounted Y-table must be specified as left or right. The handed end is rounded.

The worksurface trim color will default to match the laminate color unless otherwise specified, see the laminate finish card for details.

Edge profile must be specified for 1.5-inch thick worksurfaces.

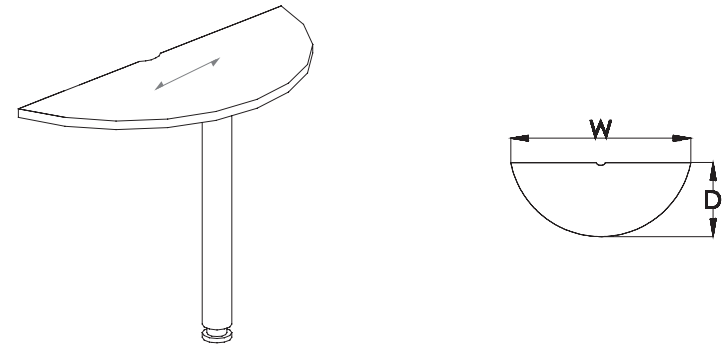
The color of the modesty will default to match the worksurface.

Keyboard tray can be mounted to this worksurface. Refer to the Accessories section [on page 166](#) for details.

Options:

thickness	C 1-inch	CT 1.5-inch
width	60, 66, 72, 78	
depth	24, 30	
hand	R right	L left
surface finish	laminate colors	
edge profile (1.5-inch only)	straight	
support finish	metal colors	

Code	Price	W (in.)	D 1 (in.)	Weight (lb)	Volume (ft ³)
1" Thick					
C-WY0G-6024-L	1416	60	24	120	1.25
C-WY0G-6024-R	1416	60	24	120	1.25
C-WY0G-6624-L	1509	66	24	123	1.38
C-WY0G-6624-R	1509	66	24	123	1.38
C-WY0G-6630-L	1708	66	30	129	1.72
C-WY0G-6630-R	1708	66	30	129	1.72
C-WY0G-7224-L	1621	72	24	126	1.5
C-WY0G-7224-R	1621	72	24	126	1.5
C-WY0G-7230-L	1731	72	30	132	1.88
C-WY0G-7230-R	1731	72	30	132	1.88
C-WY0G-7824-L	1725	78	24	129	1.63
C-WY0G-7824-R	1725	78	24	129	1.63
C-WY0G-7830-L	1777	78	30	135	2.03
C-WY0G-7830-R	1777	78	30	135	2.03
C-WY0G-8430-L	1801	84	30	141	2.19
C-WY0G-8430-R	1801	84	30	141	2.19
1.5" Thick					
CT-WY0G-6024-L	1698	60	24	120	1.25
CT-WY0G-6024-R	1698	60	24	120	1.25
CT-WY0G-6624-L	1815	66	24	123	1.38
CT-WY0G-6624-R	1815	66	24	123	1.38
CT-WY0G-6630-L	2053	66	30	129	1.72
CT-WY0G-6630-R	2053	66	30	129	1.72
CT-WY0G-7224-L	1944	72	24	126	1.5
CT-WY0G-7224-R	1944	72	24	126	1.5
CT-WY0G-7230-L	2083	72	30	132	1.88
CT-WY0G-7230-R	2083	72	30	132	1.88
CT-WY0G-7824-L	2069	78	24	129	1.63
CT-WY0G-7824-R	2069	78	24	129	1.63
CT-WY0G-7830-L	2132	78	30	135	2.03
CT-WY0G-7830-R	2132	78	30	135	2.03
CT-WY0G-8430-L	2158	84	30	141	2.19
CT-WY0G-8430-R	2158	84	30	141	2.19



What's Included:

C-Table Extension, metal support post

Notes:

Grain direction is indicated in the above illustration.

How To Specify:

Specify laminate color.

Specify metal color for support posts.

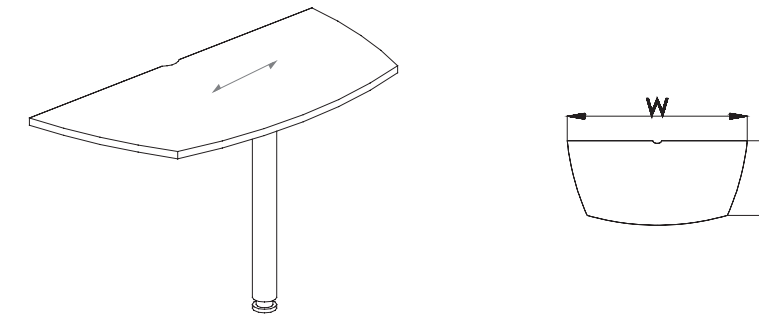
The worksurface trim color will default to match the laminate color unless otherwise specified, see the laminate finish card for details.

Edge trim style must be specified for 1.5-inch thick worksurfaces.

Options:

thickness	C 1-inch	CT 1.5-inch
width	51, 63	
depth	16, 21, 26	
trim style	R radiused	S straight
surface finish	laminate colors	
edge profile (1.5-inch only)	straight	
support finish	metal colors	

Code	Price	W (in.)	D 1 (in.)	Weight (lb)	Volume (ft ³)
1" Thick					
C-WC00-5121-S	801	51	21	38.27	3.55
C-WC00-6326-S	860	63	26	54.56	5.41
1.5" Thick					
CT-WC00-5121-S	957	51	21	38.27	3.55
CT-WC00-6326-S	1032	63	26	54.56	5.41



What's Included:

U-Table Extension, metal support post

Notes:

Grain direction is indicated in the above illustration.

How To Specify:

Specify laminate color.

Specify metal color for support posts.

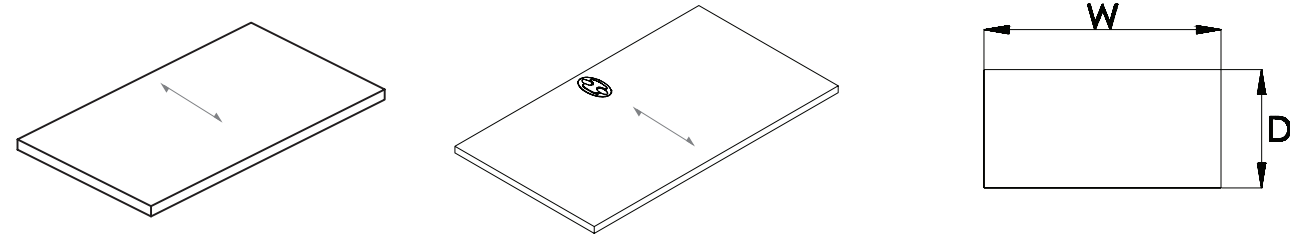
The worksurface trim color will default to match the laminate color unless otherwise specified, see the laminate finish card for details.

Edge trim style must be specified for 1.5-inch thick worksurfaces.

Options:

thickness	C 1-inch	CT 1.5-inch
width	51, 63	
depth	18, 24, 28	
trim style	R radiused	S straight
surface finish	laminate colors	
edge profile (1.5-inch only)	straight	
support finish	metal colors	

Code	Price	W (in.)	D 1 (in.)	Weight (lb)	Volume (ft ³)
1" Thick					
C-WU00-3918	638	39	18	13.12	0.62
C-WU00-5124-S	846	51	24	17.14	0.81
C-WU00-6328-S	972	63	28	21.17	1.02
1.5" Thick					
CT-WU00-3918	765	39	18	13.12	0.62
CT-WU00-5124-S	1013	51	24	17.14	0.81
CT-WU00-6328-S	1168	63	28	21.17	1.02



Without grommet

With grommet

What's Included:

Bridge Surface

Notes:

Grain direction is indicated in the above illustration.

How To Specify:

The worksurface trim color will default to match the laminate color unless otherwise specified, see the laminate finish card for details.

Edge profile must be specified for 1.5-inch thick worksurfaces.

Options:

thickness	C 1-inch	CT 1.5-inch
grommet	O without	G with grommet
width	24, 30, 36, 42, 48	
depth	18, 24, 30	
surface finish	laminate colors	
edge profile (1.5-inch only)	straight	

Code	Price	H (in)	W (in.)	Wt. (lb)	Vol. (ft ³)	Code	Price	H (in)	W (in.)	Wt. (lb)	Vol. (ft ³)
1" Thick - Without Grommet						1.5" Thick - Without Grommet					
C-BS00-2418	245	24	18	5.18	0.25	CT-BS00-2424	364	24	24	6.91	0.33
C-BS00-2424	266	24	24	6.91	0.33	CT-BS00-2430	389	24	30	8.64	0.42
C-BS00-2430	281	24	30	8.64	0.42	CT-BS00-3018	359	30	18	6.48	0.31
C-BS00-3018	265	30	18	6.48	0.31	CT-BS00-3024	389	30	24	8.64	0.42
C-BS00-3024	281	30	24	8.64	0.42	CT-BS00-3030	459	30	30	10.8	0.52
C-BS00-3030	337	30	30	10.8	0.52	CT-BS00-3618	377	36	18	7.78	0.38
C-BS00-3618	276	36	18	7.78	0.38	CT-BS00-3624	398	36	24	10.37	0.5
C-BS00-3624	290	36	24	10.37	0.5	CT-BS00-3630	485	36	30	12.96	0.63
C-BS00-3630	358	36	30	12.96	0.63	CT-BS00-4218	428	42	18	9.07	0.44
C-BS00-4218	314	42	18	9.07	0.44	CT-BS00-4224	472	42	24	12.1	0.58
C-BS00-4224	343	42	24	12.1	0.58	CT-BS00-4230	529	42	30	15.12	0.73
C-BS00-4230	389	42	30	15.12	0.73	CT-BS00-4818	451	48	18	10.37	0.5
C-BS00-4818	330	48	18	10.37	0.5	CT-BS00-4824	506	48	24	13.82	0.67
C-BS00-4824	374	48	24	13.82	0.67	CT-BS00-4830	573	48	30	17.28	0.83
C-BS00-4830	424	48	30	17.28	0.83						
1" Thick - With Grommet						1.5" Thick - With Grommet					
C-BS0G-2418	259	24	18	5.18	0.25	CT-BS0G-2418	349	24	18	5.18	0.25
C-BS0G-2424	279	24	24	6.91	0.33	CT-BS0G-2424	378	24	24	6.91	0.33
C-BS0G-2430	298	24	30	8.64	0.42	CT-BS0G-2430	402	24	30	8.64	0.42
C-BS0G-3018	278	30	18	6.48	0.31	CT-BS0G-3018	373	30	18	6.48	0.31
C-BS0G-3024	298	30	24	8.64	0.42	CT-BS0G-3024	402	30	24	8.64	0.42
C-BS0G-3030	349	30	30	10.8	0.52	CT-BS0G-3030	472	30	30	10.8	0.52
C-BS0G-3618	288	36	18	7.78	0.38	CT-BS0G-3618	391	36	18	7.78	0.38
C-BS0G-3624	306	36	24	10.37	0.5	CT-BS0G-3624	413	36	24	10.37	0.5
C-BS0G-3630	367	36	30	12.96	0.63	CT-BS0G-3630	501	36	30	12.96	0.63
C-BS0G-4218	328	42	18	9.07	0.44	CT-BS0G-4218	443	42	18	9.07	0.44
C-BS0G-4224	359	42	24	12.1	0.58	CT-BS0G-4224	483	42	24	12.1	0.58
C-BS0G-4230	402	42	30	15.12	0.73	CT-BS0G-4230	541	42	30	15.12	0.73
C-BS0G-4818	343	48	18	10.37	0.5	CT-BS0G-4818	468	48	18	10.37	0.5
C-BS0G-4824	386	48	24	13.82	0.67	CT-BS0G-4824	519	48	24	13.82	0.67
C-BS0G-4830	433	48	30	17.28	0.83	CT-BS0G-4830	585	48	30	17.28	0.83



What's Included:

Radiused Extended Surface

Notes:

Grain direction is indicated in the above illustration.

How To Specify:

Specify laminate color.

Specify metal color for support posts.

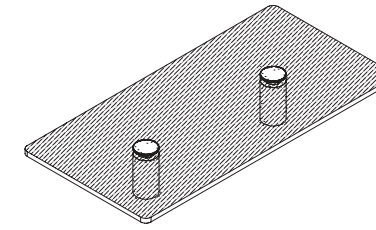
The worksurface trim color will default to match the laminate color unless otherwise specified, see the laminate finish card for details.

Edge trim style must be specified for 1.5-inch thick worksurfaces.

Options:

thickness	C 1-inch	CT 1.5-inch
width	27, 33	
depth	27, 33	
surface finish	laminate colors	
edge profile (1.5-inch only)	straight	

Code	Price	W (in.)	D 1 (in.)	Weight (lb)	Volume (ft ³)
1" thick					
C-WC01-2727	328	27	27	13.81	0.33
C-WC01-3333	397	33	33	14.3	0.49
1.5 " thick					
CT-WC01-2727	443	27	27	13.81	0.33
CT-WC01-3333	540	33	33	14.3	0.49



What's Included:

Tempered Glass transaction top, installation hardware, two post legs.

Notes:

The tempered glass transaction top can be mounted on top of one or two 37-inch high panel frames to provide a transaction surface for a reception station or between two workstations in a team environment.

The tempered glass transaction top is not applicable on 90, 120, or 135-degree configurations.

Options:

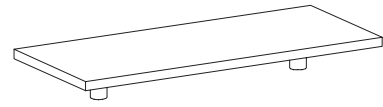
width	24, 30, 36, 42, 48, 54,
depth	12
metal finish	metal colors

How To Specify:

Specify metal finish.

When the tempered glass transaction top is to be mounted over a single panel frame, specify the transaction top to be the same width as the panel frame. When it is to be mounted over two panel frames, specify the transaction top to be the total width of the two panel frames.

Code	Price	W (in.)	D 1 (in.)	Weight (lb)	Volume (ft ³)
C-WTGS-2412	873	24	12	5	0.2
C-WTGS-3012	941	30	12	6	0.2
C-WTGS-3612	1000	36	12	7	0.3
C-WTGS-4212	1056	42	12	8	0.3
C-WTGS-4812	1120	48	12	9	0.3
C-WTGS-5412	1176	54	12	10	0.3



What's Included:

Laminate countertop, installation hardware, two post legs.

Notes:

How To Specify:

Specify laminate color.

Specify metal finish.

When the laminate countertop is to be mounted over a single panel frame, specify the countertop to be the same width as the panel frame. When it is to be mounted over two panel frames, specify the countertop to be the total width of the two panel frames.

Options:

width	24, 30, 36, 42, 48, 54, 60			
depth	15			
configuration	A 90-degree	B 120-degree	C 135-degree	O 180-degree
end shape	S - straight right 90-degree corner right 120-degree corner right 135-degree corner	left 90-degree corner left 120-degree corner left 135-degree corner	dual 90-degree corner dual 120-degree corner dual 135-degree corner	
surface finish	laminate colors			
metal finish	metal colors			

Code	Price	H (in)	W (in.)	Wt. (lb)	Vol. (ft³)	Code	Price	H (in)	W (in.)	Wt. (lb)	Vol. (ft³)
1" Thick						1.5" Thick - 180-degree countertop					
C-WTL0-2415	481	24	15	4.32	0.21	CT-WTL0-2415	529	24	15	4.32	0.21
C-WTL0-3015	516	30	15	5.4	0.26	CT-WTL0-3015	578	30	15	5.4	0.26
C-WTL0-3615	545	36	15	6.48	0.31	CT-WTL0-3615	617	36	15	6.48	0.31
C-WTL0-4215	556	42	15	7.56	0.36	CT-WTL0-4215	633	42	15	7.56	0.36
C-WTL0-4815	605	48	15	8.64	0.42	CT-WTL0-4815	699	48	15	8.64	0.42
C-WTL0-5415	628	54	15	9.72	0.47	CT-WTL0-5415	734	54	15	9.72	0.47
C-WTL0-6015	650	60	15	10.8	0.52	CT-WTL0-6015	767	60	15	10.8	0.52

Code	Price	H (in)	W (in.)	Wt. (lb)	Vol. (ft³)	Code	Price	H (in)	W (in.)	Wt. (lb)	Vol. (ft³)
1" Thick - 90-degree corner (single)						1.5" Thick - 90-degree corner (single)					
C-WTLA-2415-L	547	24	15	4.32	0.21	CT-WTLA-2415-L	614	24	15	4.32	0.21
C-WTLA-2415-R	547	24	15	4.32	0.21	CT-WTLA-2415-R	614	24	15	4.32	0.21
C-WTLA-3015-L	585	30	15	4.32	0.26	CT-WTLA-3015-L	663	30	15	4.32	0.26
C-WTLA-3015-R	585	30	15	4.32	0.26	CT-WTLA-3015-R	663	30	15	4.32	0.26
C-WTLA-3615-L	608	36	15	6.48	0.31	CT-WTLA-3615-L	685	36	15	6.48	0.31
C-WTLA-3615-R	608	36	15	6.48	0.31	CT-WTLA-3615-R	685	36	15	6.48	0.31
C-WTLA-4215-L	631	42	15	7.56	0.36	CT-WTLA-4215-L	699	42	15	7.56	0.36
C-WTLA-4215-R	631	42	15	7.56	0.36	CT-WTLA-4215-R	699	42	15	7.56	0.36
C-WTLA-4815-L	668	48	15	8.64	0.42	CT-WTLA-4815-L	738	48	15	8.64	0.42
C-WTLA-4815-R	668	48	15	8.64	0.42	CT-WTLA-4815-R	738	48	15	8.64	0.42
C-WTLA-5415-L	697	54	15	9.72	0.47	CT-WTLA-5415-L	766	54	15	9.72	0.47
C-WTLA-5415-R	697	54	15	9.72	0.47	CT-WTLA-5415-R	766	54	15	9.72	0.47
C-WTLA-6015-L	729	60	15	10.8	0.52	CT-WTLA-6015-L	796	60	15	10.8	0.52
C-WTLA-6015-R	729	60	15	10.8	0.52	CT-WTLA-6015-R	796	60	15	10.8	0.52

Code	Price	H (in)	W (in.)	Wt. (lb)	Vol. (ft³)	Code	Price	H (in)	W (in.)	Wt. (lb)	Vol. (ft³)
1" Thick - 90-degree corner (dual)						1.5" Thick - 90-degree corner (dual)					
C-WTLA-2415	614	24	15	4.32	0.21	CT-WTLA-2415	694	24	15	4.32	0.21
C-WTLA-3015	663	30	15	4.32	0.26	CT-WTLA-3015	755	30	15	4.32	0.26
C-WTLA-3615	685	36	15	6.48	0.31	CT-WTLA-3615	791	36	15	6.48	0.31
C-WTLA-4215	699	42	15	7.56	0.36	CT-WTLA-4215	809	42	15	7.56	0.36
C-WTLA-4815	738	48	15	8.64	0.42	CT-WTLA-4815	867	48	15	8.64	0.42
C-WTLA-5415	766	54	15	9.72	0.47	CT-WTLA-5415	905	54	15	9.72	0.47
C-WTLA-6015	796	60	15	10.8	0.52	CT-WTLA-6015	948	60	15	10.8	0.52

Code	Price	H (in)	W (in.)	Wt. (lb)	Vol. (ft³)	Code	Price	H (in)	W (in.)	Wt. (lb)	Vol. (ft³)
1" Thick - 120-degree corner (single)						1.5" Thick - 120-degree corner (single)					
C-WTLB-2415-L	535	24	15	4.32	0.21	CT-WTLB-2415-L	592	24	15	4.32	0.21
C-WTLB-2415-R	535	24	15	4.32	0.21	CT-WTLB-2415-R	592	24	15	4.32	0.21
C-WTLB-3015-L	573	30	15	5.4	0.26	CT-WTLB-3015-L	642	30	15	5.4	0.26
C-WTLB-3015-R	573	30	15	5.4	0.26	CT-WTLB-3015-R	642	30	15	5.4	0.26
C-WTLB-3615-L	594	36	15	6.48	0.31	CT-WTLB-3615-L	675	36	15	6.48	0.31
C-WTLB-3615-R	594	36	15	6.48	0.31	CT-WTLB-3615-R	675	36	15	6.48	0.31
C-WTLB-4215-L	603	42	15	7.56	0.36	CT-WTLB-4215-L	693	42	15	7.56	0.36
C-WTLB-4215-R	603	42	15	7.56	0.36	CT-WTLB-4215-R	693	42	15	7.56	0.36
C-WTLB-4815-L	653	48	15	8.64	0.42	CT-WTLB-4815-L	755	48	15	8.64	0.42
C-WTLB-4815-R	653	48	15	8.64	0.42	CT-WTLB-4815-R	755	48	15	8.64	0.42
C-WTLB-5415-L	677	54	15	9.72	0.47	CT-WTLB-5415-L	790	54	15	9.72	0.47
C-WTLB-5415-R	677	54	15	9.72	0.47	CT-WTLB-5415-R	790	54	15	9.72	0.47
C-WTLB-6015-L	704	60	15	10.8	0.52	CT-WTLB-6015-L	832	60	15	10.8	0.52
C-WTLB-6015-R	704	60	15	10.8	0.52	CT-WTLB-6015-R	832	60	15	10.8	0.52

Code	Price	H (in)	W (in.)	Wt. (lb)	Vol. (ft³)	Code	Price	H (in)	W (in.)	Wt. (lb)	Vol. (ft³)
1" Thick - 120-degree corner (dual)						1.5" Thick - 120-degree corner (dual)					
C-WTLB-2415	583	24	15	4.32	0.21	CT-WTLB-2415	648	24	15	4.32	0.21
C-WTLB-3015	618	30	15	5.4	0.26	CT-WTLB-3015	700	30	15	5.4	0.26
C-WTLB-3615	644	36	15	6.48	0.31	CT-WTLB-3615	734	36	15	6.48	0.31
C-WTLB-4215	666	42	15	7.56	0.36	CT-WTLB-4215	760	42	15	7.56	0.36
C-WTLB-4815	700	48	15	8.64	0.42	CT-WTLB-4815	814	48	15	8.64	0.42
C-WTLB-5415	734	54	15	9.72	0.47	CT-WTLB-5415	855	54	15	9.72	0.47
C-WTLB-6015	760	60	15	10.8	0.52	CT-WTLB-6015	898	60	15	10.8	0.52

Code	Price	H (in)	W (in.)	Wt. (lb)	Vol. (ft³)	Code	Price	H (in)	W (in.)	Wt. (lb)	Vol. (ft³)
1" Thick - 135-degree corner (single)						1.5" Thick - 135-degree corner (single)					
C-WTLC-2415-L	531	24	15	4.32	0.21	CT-WTLC-2415-L	583	24	15	4.32	0.21
C-WTLC-2415-R	531	24	15	4.32	0.21	CT-WTLC-2415-R	583	24	15	4.32	0.21
C-WTLC-3015-L	557	30	15	5.4	0.26	CT-WTLC-3015-L	627	30	15	5.4	0.26
C-WTLC-3015-R	557	30	15	5.4	0.26	CT-WTLC-3015-R	627	30	15	5.4	0.26
C-WTLC-3615-L	590	36	15	6.48	0.31	CT-WTLC-3615-L	668	36	15	6.48	0.31
C-WTLC-3615-R	590	36	15	6.48	0.31	CT-WTLC-3615-R	668	36	15	6.48	0.31
C-WTLC-4215-L	597	42	15	7.56	0.36	CT-WTLC-4215-L	684	42	15	7.56	0.36
C-WTLC-4215-R	597	42	15	7.56	0.36	CT-WTLC-4215-R	684	42	15	7.56	0.36
C-WTLC-4815-L	649	48	15	8.64	0.42	CT-WTLC-4815-L	748	48	15	8.64	0.42
C-WTLC-4815-R	649	48	15	8.64	0.42	CT-WTLC-4815-R	748	48	15	8.64	0.42
C-WTLC-5415-L	672	54	15	9.72	0.47	CT-WTLC-5415-L	822	54	15	9.72	0.47
C-WTLC-5415-R	672	54	15	9.72	0.47	CT-WTLC-5415-R	822	54	15	9.72	0.47
C-WTLC-6015-L	699	60	15	10.8	0.52	CT-WTLC-6015-L	832	60	15	10.8	0.52
C-WTLC-6015-R	699	60	15	10.8	0.52	CT-WTLC-6015-R	832	60	15	10.8	0.52

Code	Price	H (in)	W (in.)	Wt. (lb)	Vol. (ft³)	Code	Price	H (in)	W (in.)	Wt. (lb)	Vol. (ft³)
1" Thick - 135-degree corner (dual)						1.5" Thick - 135-degree corner (dual)					
C-WTLC-2415	573	24	15	4.32	0.21	CT-WTLC-2415	629	24	15	4.32	0.21
C-WTLC-3015	608	30	15	5.4	0.26	CT-WTLC-3015	680	30	15	5.4	0.26
C-WTLC-3615	630	36	15	6.48	0.31	CT-WTLC-3615	715	36	15	6.48	0.31
C-WTLC-4215	653	42	15	7.56	0.36	CT-WTLC-4215	684	42	15	7.56	0.36
C-WTLC-4815	690	48	15	8.64	0.42	CT-WTLC-4815	798	48	15	8.64	0.42
C-WTLC-5415	717	54	15	9.72	0.47	CT-WTLC-5415	843	54	15	9.72	0.47
C-WTLC-6015	743	60	15	10.8	0.52	CT-WTLC-6015	872	60	15	10.8	0.52

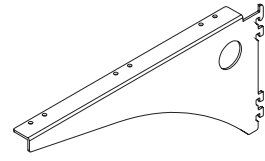


Cosmo Pricebook
Oct 2023

Worksurface Supports

worksurface supports

cantilever arm	118
universal bracket	119
single post	120
horizontal surface support	121
laminated gable	122
intermediate gable	123
open metal gable	124



What's Included:

Cantilever Arm, installation hardware.

How to Specify:

Cantilever arms are available only in black.

Options:

size	16, 22	
position	R right	L left

Notes:

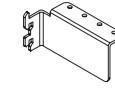
The cantilever arm mounts to the panel frame to support worksurfaces.

Worksurfaces 24 inches and greater require the 22-inch cantilever to be used.

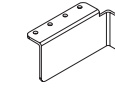
How to Order and Read your Code:

C	CCAB	16	L
product line	item	width	position

Code	Price	D 1 (in.)	Weight (lb)	Volume (ft ³)
C-CCAB-16	99	16	2.2	0.01
C-CCAB-16-L	99	16	2.2	0.01
C-CCAB-16-R	99	16	2.2	0.01
C-CCAB-22	107	22	2.7	0.01
C-CCAB-22-L	107	22	2.7	0.01
C-CCAB-22-R	107	22	2.7	0.01



right hand



left hand

What's Included:

Universal Bracket, installation hardware.

How to Specify:

Specify right or left hand according to the position of the worksurface.

The universal bracket is available only in black.

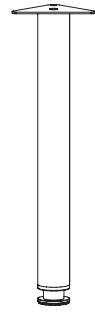
Options:

hand	R right	L left
------	----------------	---------------

Notes:

The universal bracket is primarily used for end or side corner support and must be used in conjunction with other primary supports, such as gables, cantilever arms, or single posts.

Code	Price	Weight (lb)	Volume (ft ³)
C-CB01-L	8	1	0.01
C-CB01-R	8	1	0.01



What's Included:

Single Post, leveler, installation hardware.

How to Specify:

Specify metal finish. See the metal finish card for details.

Options:

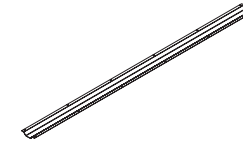
finish metal finish colors

Notes:

The single post is 28-inch in height and includes an integral leveler that provides a 3-inch levelling range.

This item should be used together with panel-mounted worksurface supports to support semi-suspended worksurfaces.

Code	Price	H (in.)	Weight (lb)	Volume (ft ³)
C-CP1G-03	141	28	7	0.11



What's Included:

Horizontal Surface Support, installation hardware.

How to Specify:

The horizontal surface support is available only in silver.

Options:

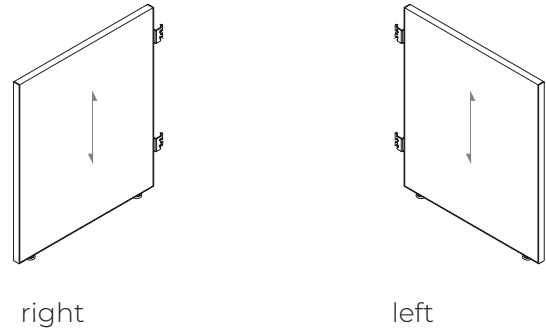
width 51, 57, 63, 69, 75

Notes:

The horizontal surface support is used to support worksurfaces 54-inches and longer.

This item is mounted to the underside of a worksurface.

Code	Price	W (in)	Weight (lb)	Volume (ft ³)
C-CH00-54	67	51	4	0.05
C-CH00-60	73	57	4.5	0.05
C-CH00-66	77	63	5	0.06
C-CH00-72	81	69	5.5	0.06
C-CH00-78	86	75	6	0.07



What's Included:

Gable, installation hardware.

How to Specify:

Specify laminate color.

The vinyl trim color will default to match the laminate color unless otherwise specified. See the laminate finish card for details.

Notes:

Grain direction is indicated in the above illustration.

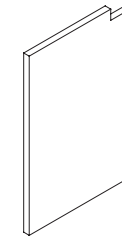
Gables can be used for single or dual worksurface support in the left, right and center positions.

The left and right gables are designed to match the depth of standard worksurfaces. The center gable will be slightly shorter than the depth of the worksurface to allow for below worksurface leg room.

Options:

position	R right	L left	U - universal
depth	12, 18, 24, 30, 36		

Code	Price	H (in.)	D 1 (in.)	Weight (lb)	Volume (ft ³)
C-CGL0-12	120	12	7.5	0.01	0.01
C-CGR0-12	120	12	7.5	0.01	0.01
C-CGL0-18	143	18	11.47	0.01	0.01
C-CGR0-18	143	18	11.47	0.01	0.01
C-CGL0-24	164	24	15.4	0.01	0.01
C-CGR0-24	164	24	15.4	0.01	0.01
C-CGL0-30	191	30	19.32	0.01	0.01
C-CGR0-30	191	30	19.32	0.01	0.01
C-CGL0-36	208	36	19.35	0.01	0.01
C-CGR0-36	208	36	19.35	0.01	0.01



What's Included:

Gable, installation hardware.

How to Specify:

Specify laminate color.

The vinyl trim color will default to match the laminate color unless otherwise specified. See the laminate finish card for details.

Notes:

Grain direction is indicated in the above illustration.

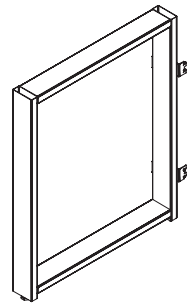
Gables can be used for single or dual worksurface support in the left, right and center positions.

The left and right gables are designed to match the depth of standard worksurfaces. The center gable will be slightly shorter than the depth of the worksurface to allow for below worksurface leg room.

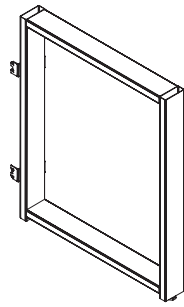
Options:

position	R right	L right	U - universal
depth	12, 18		
finish	laminate colors		

Code	Price	H (in.)	D 1 (in.)	Weight (lb)	Volume (ft ³)
C-CGLC-12	120	28	12	7.5	0.01
C-CGRC-12	120	28	12	7.5	0.01
C-CGLC-18	143	28	18	11.47	0.01
C-CGRC-18	143	28	18	11.47	0.01



right hand



left hand

What's Included:

Open metal gable, installation hardware.

How to Specify:

Specify metal color.

Notes:

Open metal gables can be used to support worksurfaces in the left or right position.

The depth of the open metal gable should match the depth of the worksurface that it will support at the end of a run.

Use the 12 or 18-inch pen metal gable to support worksurface in the middle of a run.

Open metal gables cannot be used in freestanding applications

Options:

position	R right	L left
size	12, 18, 24, 30	
finish	metal colors	

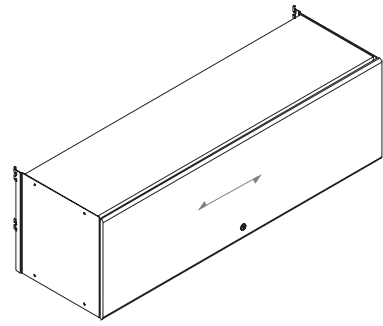
Code	Price	H (in.)	D 1 (in.)	Weight (lb)	Volume (ft ³)
Left Hand					
C-CGLM-12	459	28	12	6	0.58
C-CGLM-18	483	28	18	10	0.88
C-CGLM-24	517	28	24	14	1.17
C-CGLM-30	548	28	30	14	1.17
Right Hand					
C-CGRM-12	459	28	12	6	0.58
C-CGRM-18	483	28	18	10	0.88
C-CGRM-24	517	28	24	14	1.17
C-CGRM-30	548	28	30	14	1.17



Cosmo Pricebook
Oct 2023
Mounted Storage

mounted storage

panel-mounted flipper cabinet	128
suspended flipper cabinet	130
wall mounted flipper cabinet	132
top mounted shared open shelf	134
cubby storage	136
open metal shelf	137
overhead back bracket	138
double channel wall mount bracket kit	139



flipper cabinet

What's Included:

Panel-Mounted Flipper Cabinet, installation hardware.

How to Specify:

Specify metal color.

Specify laminate color (for laminate faced flipper only).

Specify option P for pneumatic slides.

The vinyl trim color will default to match the laminate color unless otherwise specified. See the laminate finish card for details.

Notes:

Grain direction is indicated in the above illustration.

The panel-mounted flipper cabinet mounts on-module to panel frames of the same width.

The optional pneumatic slide allows the flipper door to come down slowly and quietly.

Options:

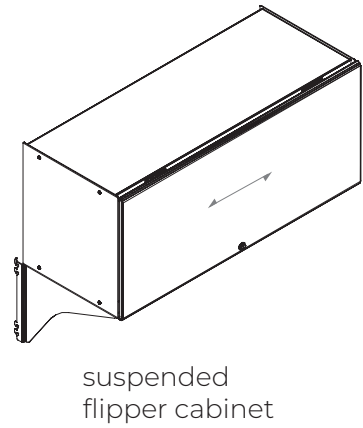
depth	14
width	30, 36, 42, 48, 54, 60
door finish	L laminate colors M metal colors
enhancements	P pneumatic*
case finish	metal colors

* an upcharge is applicable when this option is specified

How to Order and Read your Code:

C	SOF	M	14	30	P
product line	item	door finish	depth	width	enhancements

Standard	Price	H (in.)	W (in.)	D 1 (in.)	Weight (lb)	Volume (ft3)
Pneumatic Laminate						
C-SOFL-1430-P	1065	16	30	14	32.1	2.92
C-SOFL-1436-P	1122	16	36	14	34.7	3.5
C-SOFL-1442-P	1162	16	42	14	38.6	4.08
C-SOFL-1448-P	1198	16	48	14	42.5	4.67
C-SOFL-1454-P	1217	16	54	14	45.7	5.25
C-SOFL-1460-P	1278	16	60	14	49.1	5.83
Pneumatic Metal						
C-SOFM-1430-P	1135	16	30	14	32.1	2.92
C-SOFM-1436-P	1198	16	36	14	34.7	3.5
C-SOFM-1442-P	1247	16	42	14	38.6	4.08
C-SOFM-1448-P	1284	16	48	14	42.5	4.67
C-SOFM-1454-P	1301	16	54	14	45.7	5.25
C-SOFM-1460-P	1374	16	60	14	49.1	5.83



What's Included:

Suspended flipper cabinet, installation hardware.

How to Specify:

Specify metal color.

Specify laminate color (for laminate faced flipper only).

Specify option P for pneumatic slides.

The vinyl trim color will default to match the laminate color unless otherwise specified. See the laminate finish card for details.

Options:

depth	14		
width	30, 36, 42, 48, 54, 60		
door finish	L laminate colors	M metal colors	
enhancements	P pneumatic*		
case finish	metal colors		

* an upcharge is applicable when this option is specified

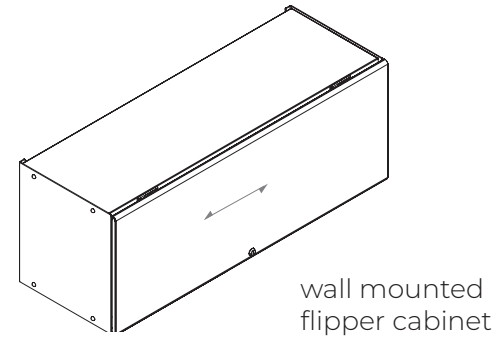
Notes:

Grain direction is indicated in the above illustration.

The suspended flipper cabinet mounts on-module to panel frames of the same width.

The optional pneumatic slide allows the flipper door to come down slowly and quietly.

Code	Price	H (in.)	W (in.)	D1 (in.)	Weight (lb)	Volume (ft ³)
Standard Laminate						
C-SSFL-1430	903	16	30	14	32.1	2.1
C-SSFL-1436	958	16	36	14	34.7	3.5
C-SSFL-1442	1001	16	42	14	38.6	4.1
C-SSFL-1448	1030	16	48	14	42.5	4.7
C-SSFL-1454	1042	16	54	14	45.7	5.3
C-SSFL-1460	1103	16	60	14	49.1	5.8
Standard Metal						
C-SSFM-1430	968	16	30	14	32.1	2.92
C-SSFM-1436	1025	16	36	14	34.7	3.5
C-SSFM-1442	1079	16	42	14	38.6	4.08
C-SSFM-1448	1114	16	48	14	42.5	4.67
C-SSFM-1454	1157	16	54	14	45.7	5.25
C-SSFM-1460	1196	16	60	14	49.1	5.83
Pneumatic Laminate						
C-SSFL-1430-P	1251	16	30	14	32.1	2.1
C-SSFL-1436-P	1302	16	36	14	34.7	3.5
C-SSFL-1442-P	1346	16	42	14	38.6	4.1
C-SSFL-1448-P	1376	16	48	14	42.5	4.7
C-SSFL-1454-P	1389	16	54	14	45.7	5.3
C-SSFL-1460-P	1450	16	60	14	49.1	5.8
Pneumatic Metal						
C-SSFM-1430-P	1308	16	30	14	32.1	2.92
C-SSFM-1436-P	1375	16	36	14	34.7	3.5
C-SSFM-1442-P	1425	16	42	14	38.6	4.08
C-SSFM-1448-P	1455	16	48	14	42.5	4.67
C-SSFM-1454-P	1469	16	54	14	45.7	5.25
C-SSFM-1460-P	1543	16	60	14	49.1	5.83



What's Included:

Wall mounted flipper cabinet, installation hardware.

How to Specify:

- Specify metal color.
- Specify laminate color (for laminate faced flipper only).
- Specify wall mounting hardware separately
- Specify option P for pneumatic slides.
- The vinyl trim color will default to match the laminate color unless otherwise specified.

Notes:

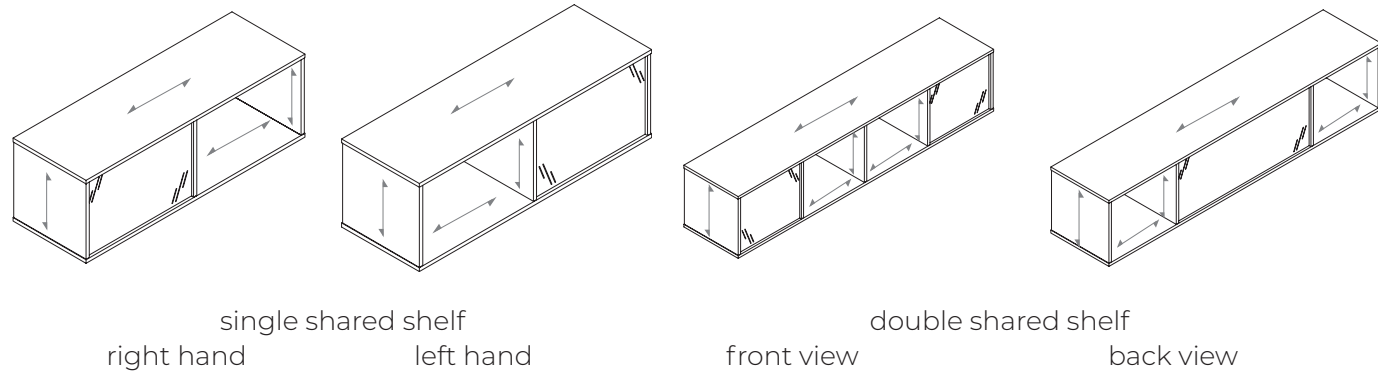
- Grain direction is indicated in the above illustration.
- The wall-mounted flipper cabinet mounts off-module to walls to provide overhead storage in a workstation.
- The optional pneumatic slide allows the flipper door to come down slowly and quietly.

Options:

depth	14
width	30, 36, 42, 48, 54, 60
door finish	L laminate colors M metal colors
enhancements	P pneumatic*
case finish	metal colors

* an upcharge is applicable when this option is specified

Code	Price	H (in.)	W (in.)	D1 (in.)	Weight (lb)	Volume (ft ³)
Pneumatic Laminate						
C-SOFL-1430-P-W	1065	16	30	14	32.1	2.92
C-SOFL-1436-P-W	1122	16	36	14	34.7	3.5
C-SOFL-1442-P-W	1162	16	42	14	38.6	4.08
C-SOFL-1448-P-W	1198	16	48	14	42.5	4.67
C-SOFL-1454-P-W	1217	16	54	14	45.7	5.25
C-SOFL-1460-P-W	1278	16	60	14	49.1	5.83
Pneumatic Metal						
C-SOFM-1430-P-W	1135	16	30	14	32.1	2.92
C-SOFM-1436-P-W	1198	16	36	14	34.7	3.5
C-SOFM-1442-P-W	1247	16	42	14	38.6	4.08
C-SOFM-1448-P-W	1284	16	48	14	42.5	4.67
C-SOFM-1454-P-W	1301	16	54	14	45.7	5.25
C-SOFM-1460-P-W	1374	16	60	14	49.1	5.83



What's Included:

Top mounted shared open shelf, installation hardware

How to Specify:

Specify laminate color.

Specify back option.

Notes:

Grain direction is indicated in the above illustration.

The top mounted shared shelf mounts on top of a panel frame and provides open storage to two workstations.

The back of the top mounted shared shelf can be finished in acrylic or whiteboard.

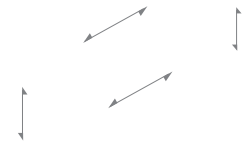
The single unit can be used on top of one or two panel frames.

The double units is used over two or more panel frames where a 3-way or 4-way 90 degree connector is also present, as illustrated above

Options:

back finish	G acrylic	W whiteboard
width	24, 30, 36, 42, 48, 54, 60	
depth	16	
height	16	
hand	L left	R right
case finish	laminate colors	

Code	Price	H (in.)	W (in.)	D 1 (in.)	Weight (lb)	Volume (ft ³)
Single Shared Shelves						
C-SSOG-30-L	879	16	30	16	35	2.5
C-SSOG-36-L	957	16	36	16	38	3
C-SSOG-42-L	1040	16	42	16	41	3.5
C-SSOG-48-L	1121	16	48	16	44	4
C-SSOG-54-L	1199	16	54	16	47	4.5
C-SSOG-60-L	1280	16	60	16	50	5
C-SSOG-72-L	1439	16	72	16	56	6
C-SSOG-84-L	1597	16	84	16	62	7
C-SSOG-30-R	879	16	30	16	35	2.5
C-SSOG-36-R	957	16	36	16	38	3
C-SSOG-42-R	1040	16	42	16	41	3.5
C-SSOG-48-R	1121	16	48	16	44	4
C-SSOG-54-R	1199	16	54	16	47	4.5
C-SSOG-60-R	1280	16	60	16	50	5
C-SSOG-72-R	1439	16	72	16	56	6
C-SSOG-84-R	1597	16	84	16	62	7
Double Shared Shelves						
C-SSOW-24-L	751	16	30	16	35	2.5
C-SSOW-30-L	790	16	30	16	35	2.5
C-SSOW-36-L	847	16	36	16	38	3
C-SSOW-42-L	900	16	42	16	41	3.5
C-SSOW-48-L	956	16	48	16	44	4
C-SSOW-54-L	1014	16	54	16	47	4.5
C-SSOW-60-L	1071	16	60	16	50	5
C-SSOW-72-L	1181	16	72	16	56	6
C-SSOW-84-L	1294	16	84	16	62	7
C-SSOW-24-R	751	16	30	16	35	2.5
C-SSOW-30-R	790	16	30	16	35	2.5
C-SSOW-36-R	847	16	36	16	38	3
C-SSOW-42-R	900	16	42	16	41	3.5
C-SSOW-48-R	956	16	48	16	44	4
C-SSOW-54-R	1014	16	54	16	47	4.5
C-SSOW-60-R	1071	16	60	16	50	5
C-SSOW-72-R	1181	16	72	16	56	6
C-SSOW-84-R	1294	16	84	16	62	7



cubby storage

What's Included:

Cubby storage, installation hardware.

Notes:

The panel-mounted cubby storage mounts on-module to panel frames of the same width.

How to Specify:

Grain direction is indicated in the above illustration.

Specify laminate color.

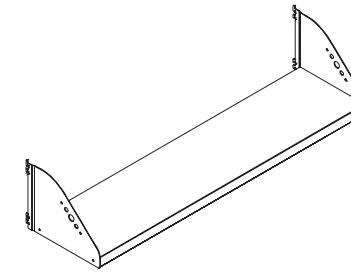
Specify hardware finish.

The vinyl trim color will default to match the laminate color unless otherwise specified. See the laminate finish card for details

Options:

depth	11
width	24, 30, 36, 42, 48
height	8
finish	L laminate colors
hardware finish	M metal colors

Code	Price	H (in.)	W (in.)	D 1 (in.)	Weight (lb)	Volume (ft ³)
C-SCS-081124	298	24	11	N/A	1.3	
C-SCS-081130	318	30	11	N/A	1.7	
C-SCS-081136	341	36	11	N/A	2	
C-SCS-081142	363	42	11	N/A	2.3	
C-SCS-081148	414	48	11	N/A	2.7	



open metal shelf

What's Included:

Open Metal Shelf, installation hardware

How to Specify:

Specify metal color.

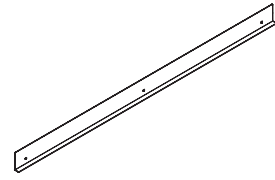
Options:

width	24, 30, 36, 42, 48, 54, 60
case finish	metal colors

Notes:

The open metal shelf is panel-mounted on-module, and provides open storage within the workstation.

Code	Price	W (in.)	D 1 (in.)	Weight (lb)	Volume (ft ³)
C-SOOM-1224	205	12	13.03	1	
C-SOOM-1230	215	12	13.03	1.25	
C-SOOM-1236	228	12	14.74	1.5	
C-SOOM-1242	238	12	16.48	1.75	
C-SOOM-1248	245	12	18.2	2	
C-SOOM-1254	256	12	19.93	2.25	
C-SOOM-1260	265	12	21.65	2.5	



What's Included:

Overhead Back Bracket, installation hardware

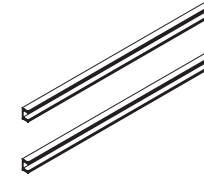
How to Specify:

Specify metal color.

Options:

width 24, 30, 36, 42, 48, 54, 60
 case finish metal colors

Code	Price	W (in.)	Weight (lb)	Volume (ft ³)
C-SOBB-24	33	N/A	0.01	
C-SOBB-30	36	N/A	0.02	
C-SOBB-36	41	N/A	0.02	
C-SOBB-42	45	N/A	0.02	
C-SOBB-48	47	N/A	0.03	
C-SOBB-54	52	N/A	0.03	
C-SOBB-60	55	N/A	0.03	



What's Included:

Double channel wall mount bracket kit

How to Specify:

Options:

width 24, 30, 36, 42, 48, 54, 60
 case finish metal colors

Code	Price	W (in.)	Weight (lb)	Volume (ft ³)
C-ADWB-24-KIT	109	N/A	0.03	
C-ADWB-30-KIT	135	N/A	0.04	
C-ADWB-36-KIT	165	N/A	0.05	
C-ADWB-42-KIT	197	N/A	0.05	
C-ADWB-48-KIT	224	N/A	0.06	
C-ADWB-54-KIT	251	N/A	0.07	
C-ADWB-60-KIT	279	N/A	0.08	

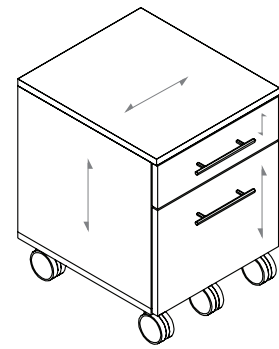


Cosmo Pricebook
Oct 2023

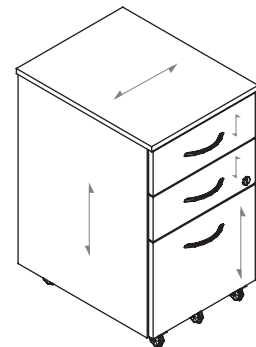
Freestanding Storage

freestanding storage

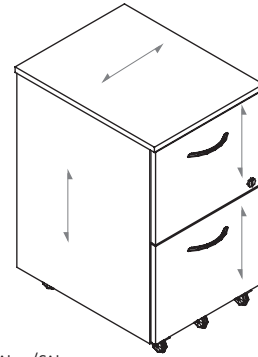
mobile pedestal	142
mobile pedestal with seat	143
freestanding pedestal	144
freestanding joined pedestal	145
freestanding lateral file	146
freestanding lateral file	147
closed storage tower	148
open storage tower with wardrobe	149
closed storage tower with closet	150
file/file/file storage tower	151
single door storage cabinet	152
double door storage tower	154
combination cabinet	155



box file



box/box file



file/file

What's Included:

One mobile pedestal, lock and key, pencil tray.

How to Specify:

Refer to the laminate finish card for a complete listing of laminate colors.

The edge trim style will default to match the finish of the pedestal unless otherwise specified. Refer to the laminate finish card for details.

Options:

height	21.5, 28
width	16, 17
case and drawer finish	laminate colors

Notes:

The mobile pedestal is 21-inches deep and is equipped with castors for easy mobility.

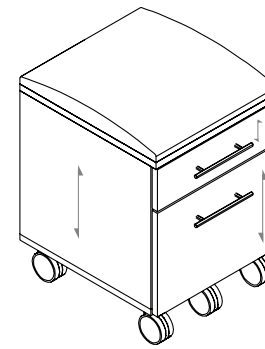
The Manhattan handle style is offered on mobile pedestals.

Grain direction is indicated in the above illustration.

How to Order and Read your Code:

C **1000** **28** **16** **L112**
 product line item height width case & drawer finish

Code	Price	H (in.)	W (in.)	D 1 (in.)	Weight (lb)	Volume (ft ³)
box file						
C-1000-2317	1133	21.5	17	23	75	4.75
box/box file						
C-FPBM-1621	1011	28	16	21	60	5.64
file/file						
C-FPFM-1621	897	28	16	21	60	5.64



mobile pedestal with seat

What's Included:

One mobile pedestal with seat, lock and key, pencil tray.

How to Specify:

Refer to the laminate finish card for a complete listing of laminate colors.

The edge trim style will default to match the finish of the pedestal unless otherwise specified. Refer to the laminate finish card for details.

Notes:

The mobile pedestal with seat is 21-inches deep and is equipped with castors for easy mobility.

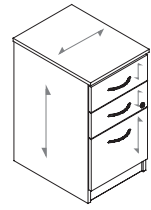
The Manhattan handle style is offered on mobile pedestals.

Grain direction is indicated in the above illustration.

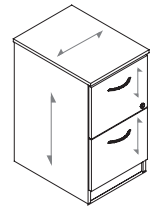
Options:

height	23
width	17
case and drawer finish	laminate colors
seating upholstery	seating fabrics

Code	Price	H (in.)	W (in.)	D 1 (in.)	Weight (lb)	Volume (ft ³)
C-1030-2317	1180	23	17	23	75	4.75



box/box/file



file/file

What's Included:

Freestanding Pedestal, lock and keys.

How to Specify:

Specify laminate color.

Specify handle style.

Handles default to Melbourne, unless otherwise specified.

The vinyl trim color will default to match the laminate color unless otherwise specified. See the laminate finish card for details.

Notes:

Pedestals are 21-inches deep.

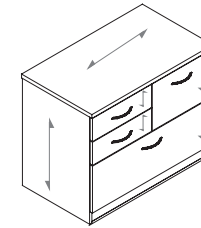
The box/box/file freestanding pedestal includes a pencil tray

Grain direction is indicated in the above illustration..

Options:

type	B box/box/file	F file/file
width	16	
depth	21	
case finish	laminate colors	
handle style	brooklyn melbourne clifton humber manhattan rosedale	

Code	Price	H (in.)	W (in.)	D 1 (in.)	Weight (lb)	Volume (ft ³)
box/box/file						
C-FPBF-1621	999	29	16	21	67.2	5.64
file/file						
C-FPFF-1621	881	29	16	21	67.2	5.64



What's Included:

Freestanding Joined Pedestal, lock and keys.

How to Specify:

Specify laminate color.

Specify handle style.

Handles default to Melbourne, unless otherwise specified.

The vinyl trim color will default to match the laminate color unless otherwise specified. See the laminate finish card for details.

Notes:

Freestanding joined pedestals are 21-inches deep.

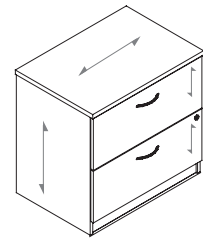
The freestanding joined pedestal includes a pencil tray.

Grain direction is indicated in the above illustration..

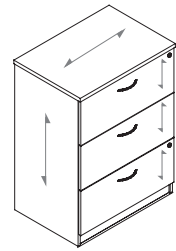
Options:

width	36
depth	21
case finish	laminate colors

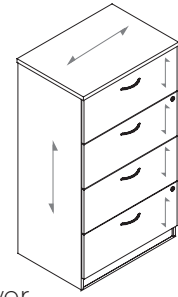
Code	Price	H (in.)	W (in.)	D 1 (in.)	Weight (lb)	Volume (ft ³)
C-FPJF-3621	1731	29	36	21	130	12.69



2 drawer



3 drawer



4 drawer

What's Included:

Freestanding Lateral File, lock and keys.

How to Specify:

Specify laminate color.

Specify handle style.

Handles default to Melbourne, unless otherwise specified.

The vinyl trim color will default to match the laminate color unless otherwise specified. See the laminate finish card for details.

Notes:

Laterals are 21-inches deep.

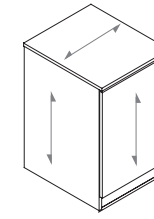
Grain direction is indicated in the above illustration..

Disclaimer: Please note that lateral file drawers are intended for filing letter and legal size paper front to back or side to side only. For details and weight restrictions please contact customer service.

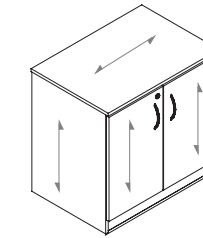
Options:

type	2 two-drawer	3 three-drawer	4 four-drawer
width	30, 36, 42		
depth	21		
case finish	laminate colors		
handle style	brooklyn	melbourne	clifton humber manhattan rosdale

Code	Price	H (in.)	W (in.)	D 1 (in.)	Weight (lb)	Volume (ft ³)
2 Drawer						
C-FL2F-3021	1394	29	30	21	107	10.57
C-FL2F-3621	1477	29	36	21	130	12.69
C-FL2F-4221	1550	29	42	21	150	14.8
3 Drawer						
C-FL3F-3021	1907	40.5	30	21	167	14.77
C-FL3F-3621	2021	40.5	36	21	180	17.72
4 Drawer						
C-FL4F-3021	2394	52.5	30	21	200	19.14
C-FL4F-3621	2536	52.5	36	21	240	22.97



single door



double door

What's Included:

Freestanding Storage Cabinet, lock and keys.

How to Specify:

Specify laminate color.

Specify handle style.

The vinyl trim color will default to match the laminate color unless otherwise specified. See the laminate finish card for details.

Notes:

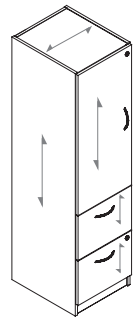
Storage cabinets are 21-inches deep.

Grain direction is indicated in the above illustration..

Options:

width	18, 30, 36
hand (for single cabinet door only)	R right L left
case finish	laminate colors
handle style	brooklyn melbourne clifton humber manhattan rosdale

Code	Price	H (in.)	W (in.)	D 1 (in.)	Weight (lb)	Volume (ft ³)
Single door						
C-FSF0-1821-L	801	29	18	21	80	6.34
C-FSF0-1821-R	801	29	18	21	80	6.34
Double Door						
C-FSF0-3021	1097	29	30	21	107	7.4
C-FSF0-3621	1170	29	36	21	130	7.4



lamine file/file



lamine box/box file

What's Included:

Closed Storage Tower, shelves, lock and keys, levelers.

How to Specify:

Specify laminate color.

Specify handle style.

Handles default to Melbourne, unless otherwise specified.

The vinyl trim color will default to match the laminate color unless otherwise specified. See the laminate finish card for details.

Notes:

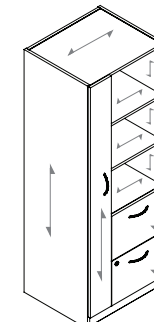
Shelves are adjustable in 1-inch increments.

Grain direction is indicated in the above illustration..

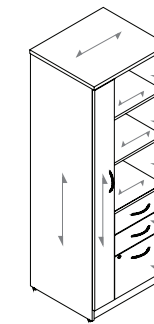
Options:

type	00 box/box/file	10 file/file
height	66	
width	18	
depth	21	
hand	R right	L left
case finish	lamine colors	
handle style	brooklyn	melbourne clifton humber manhattan rosdale

Code	Price	H (in.)	W (in.)	D 1 (in.)	Weight (lb)	Volume (ft ³)
C-7010-6618-L	1777	66	18	21	180	13.64
C-7010-6618-R	1777	66	18	21	180	13.64
C-7000-6618-L	1876	66	18	21	180	13.64
C-7000-6618-R	1876	66	18	21	180	13.64



file/file



box/box file

What's Included:

Storage Tower with Wardrobe, shelves, lock and keys, levelers.

How to Specify:

Specify laminate color.

Specify handle style.

Handles default to Melbourne, unless otherwise specified.

The vinyl trim color will default to match the laminate color unless otherwise specified. See the laminate finish card for details.

Notes:

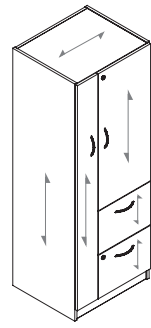
Shelves are adjustable in 1-inch increments.

Cabinets are 21-inches deep.

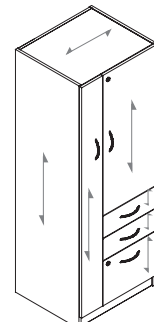
Options:

type	30 box/box/file	40 file/file
height	66	
width	24	
depth	21	
hand	R right	L left
case finish	lamine colors	
handle style	brooklyn	melbourne clifton humber manhattan rosdale

Code	Price	H (in.)	W (in.)	D 1 (in.)	Weight (lb)	Volume (ft ³)
file/file						
C-8040-6624-L	2059	66	24	21	190	19.25
C-8040-6624-R	2059	66	24	21	190	19.25
box/box/file						
C-8030-6624-L	2155	66	24	21	190	19.25
C-8030-6624-R	2155	66	24	21	190	19.25



file/file



box/box file

What's Included:

Closed Storage Tower with Closet, shelves, coat rod, lock and keys, levelers.

How to Specify:

Specify laminate color.

Specify handle style.

Handles default to Melbourne, unless otherwise specified.

The vinyl trim color will default to match the laminate color unless otherwise specified. See the laminate finish card for details.

Notes:

Shelves are adjustable in 1-inch increments.

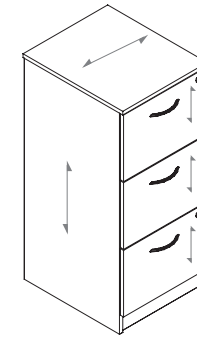
Grain direction is indicated in the above illustration..

Cabinets are 21-inches deep.

Options:

type	00 box/box/file	10 file/file
height	66	
width	24	
depth	21	
hand	R right	L left
case finish	laminate colors	
handle style	brooklyn	melbourne clifton humber manhattan rosedale

Code	Price	H (in.)	W (in.)	D 1 (in.)	Weight (lb)	Volume (ft ³)
C-6010-6624-L	2298	66	24	21	195	19.25
C-6010-6624-R	2298	66	24	21	195	19.25
C-6000-6624-L	2399	66	24	21	195	19.25
C-6000-6624-R	2399	66	24	21	195	19.25



What's Included:

File/File/File Storage Tower, lock and keys.

How to Specify:

Specify laminate color.

Specify handle style.

Handles default to Melbourne, unless otherwise specified.

The vinyl trim color will default to match the laminate color unless otherwise specified. See the laminate finish card for details.

Notes:

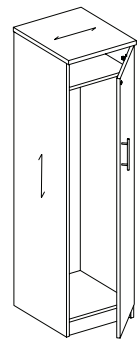
Towers are 21-inches deep.

Grain direction is indicated in the above illustration..

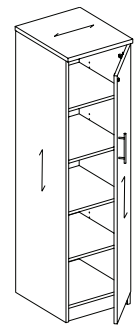
Options:

height	42					
width	18					
depth	21					
case finish	laminate colors					
handle style	brooklyn	melbourne	clifton	humber	manhattan	rosedale

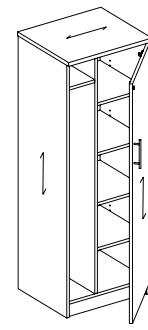
Code	Price	H (in.)	W (in.)	D 1 (in.)	Weight (lb)	Volume (ft ³)
C-3000-4218	1341	42	18	21	120	8.68



with coat bar
right hand



with shelves
right hand



with coat bar and shelves
right hand

What's Included:

Single Door Storage Cabinet, shelves and/or coat bar, lock and keys, levelers

How to Specify:

Specify laminate color.

Specify handle style.

Handles default to Melbourne, unless otherwise specified.

The vinyl trim color will default to match the laminate color unless otherwise specified. See the laminate finish card for details.

Notes:

One shelf is fixed at worksurface height, while the other shelves are adjustable in 1 inch increments.

Cabinets are 21 or 24 inches deep.

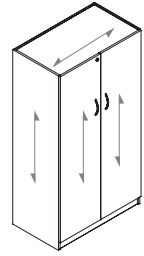
Grain direction is indicated in the above illustration.

Options:

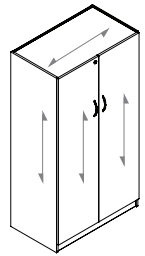
height	66
width	18, 24
depth	21, 24
hand	R right L left
case finish	laminate colors
handle style	brooklyn melbourne clifton humber manhattan rosedale

Code	Price	H (in.)	W (in.)	D 1 (in.)	Weight (lb)	Volume (ft ³)
C-FSDB-1821-L	1199	66	18	21	140	14.44
C-FSDB-1821-R	1199	66	18	21	140	14.44
C-FSDS-1821-L	1426	66	18	21	160	13.74
C-FSDS-1821-R	1426	66	18	21	160	13.74
C-FSDC-2421-L	1702	66	24	21	150	19.25
C-FSDC-2421-R	1702	66	24	21	150	19.25
Acrylic						
C-FSDB-1821-L-G	2047	66	18	21	140	14.44
C-FSDB-1821-R-G	2047	66	18	21	140	14.44

freestanding storage | double door storage tower



double laminate door with shelves



double laminate door with coat bar

What's Included:

Double Door Storage Cabinet, shelves or coat rod, lock and keys, levelers.

How to Specify:

Specify laminate color.

Specify handle style.

Handles default to Melbourne, unless otherwise specified.

The vinyl trim color will default to match the laminate color unless otherwise specified. See the laminate finish card for details.

Notes:

One shelf is fixed at worksurface height, while the other shelves are adjustable in 1-inch increments.

Cabinets are 21-inches deep.

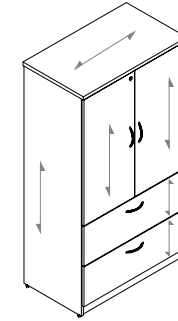
Grain direction is indicated in the above illustration..

Options:

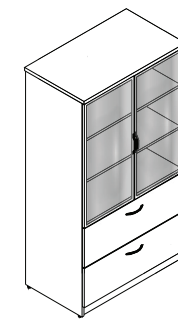
height	66
width	36
depth	21
case finish	laminate colors
case finish	laminate colors
handle style	brooklyn melbourne clifton humber manhattan rosdale

Code	Price	H (in.)	W (in.)	D 1 (in.)	Weight (lb)	Volume (ft ³)
C-FSDB-3621	1858	66	36	21	195	28.88
C-FSDS-3621	2066	66	36	21	195	29.09
Acrylic						
C-FSDB-3621-G	3468	66	36	21	195	29.09
C-FSDS-3621-G	3819	66	36	21	195	29.09

combination cabinet | freestanding storage



Laminate Combination Cabinet



Laminate Combination Cabinet with Acrylic Doors

What's Included:

Combination Cabinet, shelves, lock and keys, levelers.

How to Specify:

Specify laminate color.

Specify handle style.

Handles default to Melbourne, unless otherwise specified.

The vinyl trim color will default to match the laminate color unless otherwise specified. See the laminate finish card for details.

Options:

configuration	L lateral file
height	66
width	30, 36
depth	21
case finish	laminate colors
handle style	brooklyn melbourne clifton humber manhattan rosdale

Notes:

Shelves are adjustable in 1-inch increments.

Cabinets are 21-inches deep.

Grain direction is indicated in the above illustration..

Disclaimer: Please note that lateral file drawers are intended for filing letter and legal size paper front to back or side to side only. For details and weight restrictions please contact customer service.

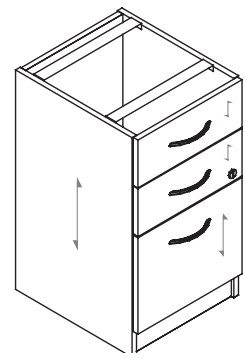
Code	Price	H (in.)	W (in.)	D 1 (in.)	Weight (lb)	Volume (ft ³)
C-FCSL-3021	2558	66	30	21	220	24.24
C-FCSL-3621	2731	66	36	21	240	29.09
Acrylic						
C-FCSL-3021-G	3710	66	30	21	220	24.24
C-FCSL-3621-G	3955	66	36	21	240	29.09



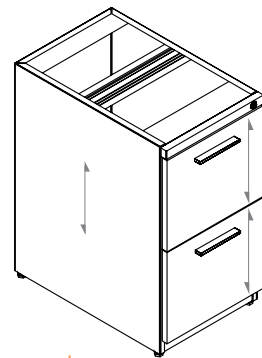
Cosmo Pricebook
Oct 2023
Storage

storage

<u>end gable pedestal</u>	158
<u>underdesk pedestal</u>	159
<u>underworksurface open shelf</u>	160
<u>underdesk joined pedestal</u>	161
<u>underdesk lateral file</u>	162
<u>underdesk storage cabinet</u>	163



box/box/file



file/file

What's Included:

End Gable Pedestal, lock and keys.

How to Specify:

Refer to the laminate finish card for a complete listing of laminate colors.

The edge trim style will default to match the finish of the pedestal unless otherwise specified. Refer to the laminate finish card for details.

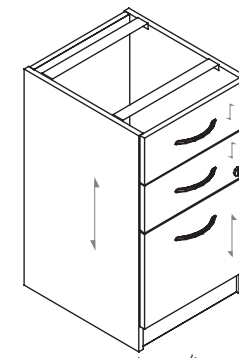
Options:

type	B box/box/file	F file/file
width	16	
depth	24, 30	
hand	R right	L left
handle style	brooklyn melbourne clifton humber manhattan rosedale	
case finish	laminate colors	

How to Order and Read your Code:

C	FPBU	16	24	R or L
product line	item	width	depth	hand

Code	Price	H (in.)	W (in.)	D 1 (in.)	Weight (lb)	Volume (ft ³)
C-FPBU-1618	870	28	16	18	58	4.67
C-FPFU-1618	770	28	16	18	56.5	4.67
C-FPBU-1624-L	946	28	16	24	58	6.22
C-FPBU-1624-R	946	28	16	24	58	6.22
C-FPBU-1630-L	1000	28	16	30	71	5.2
C-FPBU-1630-R	1000	28	16	30	71	5.2
C-FPFU-1624-L	849	28	16	24	58	6.22
C-FPFU-1624-R	849	28	16	24	58	6.22



box/box/file

What's Included:

Underdesk Pedestal, lock and keys.

How to Specify:

Specify laminate color.

Specify handle style.

Handles default to Melbourne, unless otherwise specified.

The vinyl trim color will default to match the laminate color unless otherwise specified. See the laminate finish card for details.

Notes:

Pedestals are 18-inches deep.

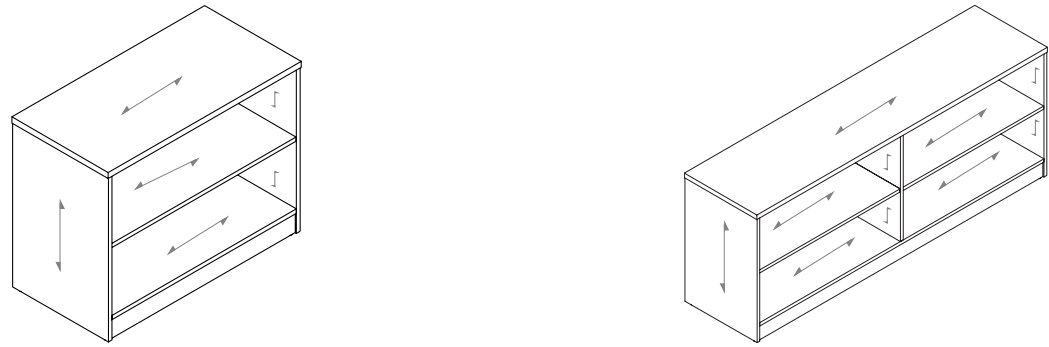
The box/box/file freestanding pedestal includes a pencil tray.

Grain direction is indicated in the above illustration.

Options:

height	28					
width	16					
case and drawer finish	laminate colors					
handle style	brooklyn	melbourne	clifton	humber	manhattan	rosedale

Code	Price	H (in.)	W (in.)	D 1 (in.)	Weight (lb)	Volume (ft ³)
C-FPBU-1618	870	28	16	18	58	4.67
C-FPFU-1618	770	28	16	18	56.5	4.67



What's Included:

Underworksurface open shelf, installation hardware.

How to Specify:

Specify laminate color.

Options:

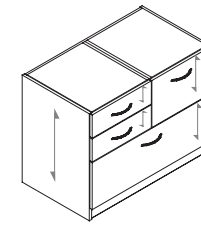
width	24, 30, 36, 42, 48, 54, 60, 66, 72, 78, 84, 90, 96
depth	18
height	28
case finish	laminate colors

Notes:

The underworksurface open shelf supports worksurfaces and provides below worksurface storage.

Grain direction is indicated in the above illustration.

Code	Price	H (in.)	W (in.)	D 1 (in.)	Weight (lb)	Volume (ft ³)
C-FSOU-2418	673	28	24	18	20	7.2
C-FSOU-3018	729	28	30	18	24	9
C-FSOU-3618	784	28	36	18	28	10.8
C-FSOU-4218	836	28	42	18	32	12.6
C-FSOU-4818	893	28	48	18	36	14.4
C-FSOU-5418	1156	28	54	18	40	16.2
C-FSOU-6018	1213	28	60	18	44	18
C-FSOU-6618	1273	28	66	18	48	19.8
C-FSOU-7218	1328	28	72	18	52	21.6
C-FSOU-7818	1390	28	78	18	56	23.4
C-FSOU-8418	1447	28	84	18	60	25.2
C-FSOU-9018	1504	28	90	18	64	27
C-FSOU-9618	1560	28	96	18	68	28.8



What's Included:

Underdesk Joined Pedestal, lock and keys..

How to Specify:

Specify laminate color.

Specify handle style.

Handles default to Melbourne, unless otherwise specified.

The vinyl trim color will default to match the laminate color unless otherwise specified. See the laminate finish card for details.

Notes:

Underdesk joined pedestals are 21-inches deep.

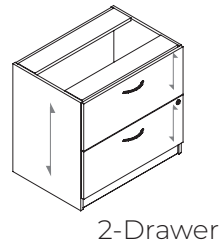
The underdesk joined pedestal includes a pencil tray.

Grain direction is indicated in the above illustration.

Options:

width	36
depth	21
case and drawer finish	laminate colors
handle style	brooklyn melbourne clifton humber manhattan rosdale

Code	Price	H (in.)	W (in.)	D 1 (in.)	Weight (lb)	Volume (ft ³)
C-FPJU-3621	1698	28	36	21	130	12.69



2-Drawer

What's Included:

Underdesk Lateral File, lock and keys.

How to Specify:

Refer to the laminate finish card for a complete listing of laminate colors.

The edge trim style will default to match the finish of the pedestal unless otherwise specified. Refer to the laminate finish card for details.

Notes:

Laterals are 21-inches deep.

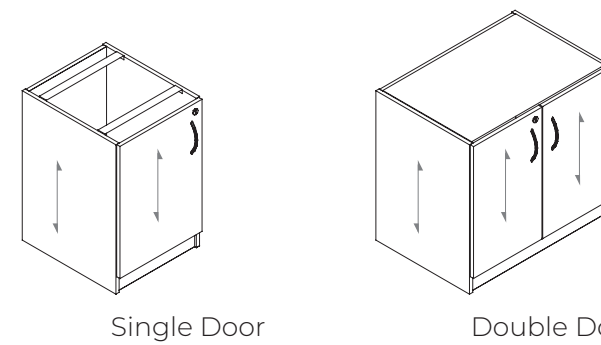
Grain direction is indicated in the above illustration.

Disclaimer: Please note that lateral file drawers are intended for filing letter and legal size paper front to back or side to side only. For details and weight restrictions please contact customer service.

Options:

width	30, 36, 42					
depth	21					
case finish	laminate colors					
handle style	brooklyn	melbourne	clifton	humber	manhattan	rosedale

Code	Price	H (in.)	W (in.)	D 1 (in.)	Weight (lb)	Volume (ft ³)
C-FL2U-3021	1350	28	30	21	107	10.21
C-FL2U-3621	1422	28	36	21	130	12.25
C-FL2U-4221	1492	28	42	21	150	14.29



Single Door

Double Door

What's Included:

Underdesk Storage Cabinet, lock and keys.

How to Specify:

Refer to the laminate finish card for a complete listing of laminate colors.

The edge trim style will default to match the finish of the pedestal unless otherwise specified. Refer to the laminate finish card for details.

Notes:

Storage cabinets are 21-inches deep.

Grain direction is indicated in the above illustration.

Options:

width	18, 30, 36					
depth	21					
hand (for single door cabinet only)	R right					L left
case finish	laminate colors					
handle style	brooklyn	melbourne	clifton	humber	manhattan	rosedale

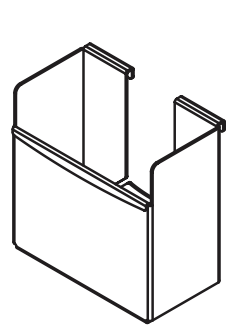
Code	Price	H (in.)	W (in.)	D 1 (in.)	Weight (lb)	Volume (ft ³)
C-FSU0-1821-L	779	28	18	21	80	6.13
C-FSU0-1821-R	779	28	18	21	80	6.13
C-FSU0-3021	1071	28	30	21	107	10.21
C-FSU0-3621	1139	28	36	21	130	12.25



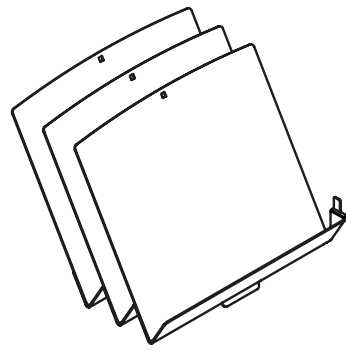
Cosmo Pricebook
Oct 2023
Accessories

accessories

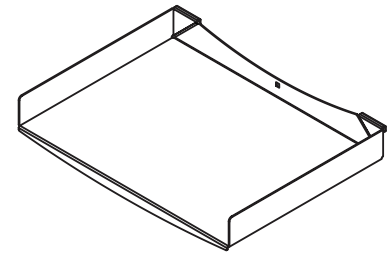
work organizers	166
accessory bar	167
pencil tray	168
coat hook	169
keyboard tray	170
monitor arm	171
top trim mounted privacy screen	172
wall mounted tackboard	174
worksurface edge mounted screen	178
panel mounted privacy screen	180



pen holder



paper sorter



paper tray

What's Included:

One work organizer, as specified.

How to Specify:

Work organizers are available in a variety of metal finish colors.

Refer to the metal accent and metal finish card for a complete listing of metal colors.

Options:

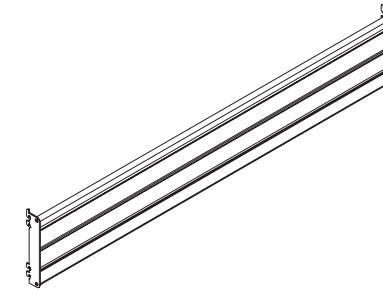
accessory type	S paper sorter H pen holder	P 9 paper tray (letter)	P 13 paper tray (legal)
finish	metal colors (except chrome)		

Notes:

Work organizers hang from accessory tile, accessory bar, and surface mounted work organizer support.

Paper trays are available in letter and legal sizes.

Code	Price	H (in.)	W (in.)	Weight (lb)	Volume (ft ³)
paper sorter					
C-AAS	178	11	10	3	3.2
paper tray (letter)					
C-AAP-9	88	2	12	9	3.2
paper tray (legal)					
C-AAP-13	101	2	15	9	3.2
pen holder					
C-AAH	79	4	4	2	1.13



What's Included:

Accessory Bar.

How to Specify:

Specify metal color.

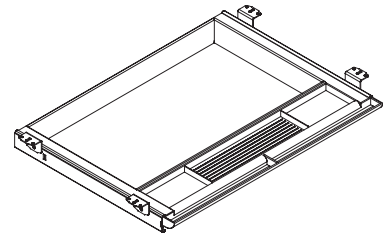
Options:

width	18, 24, 30, 36, 42, 48, 54, 60
finish	metal colors

Notes:

Accessory bars are installed over panel tiles in 1-inch increments.

Code	Price	H (in.)	W (in.)	Weight (lb)	Volume (ft ³)
C-AAB0-18	131	8	18	1.7	0.04
C-AAB0-24	154	8	24	1.7	0.06
C-AAB0-30	178	8	30	1.9	0.07
C-AAB0-36	201	8	36	2.3	0.08
C-AAB0-42	226	8	42	2.7	0.1
C-AAB0-48	249	8	48	2.9	0.11
C-AAB0-54	270	8	54	3.2	0.13
C-AAB0-60	293	8	60	3.5	0.14



What's Included:

Pencil Drawer, installation hardware, mounting slides.

How to Specify:

This product is available only in black.

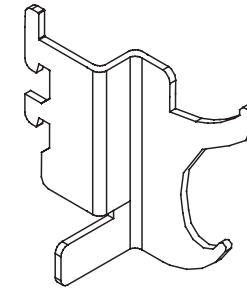
Options:

There are no options for this product.

Notes:

Pencil drawers provide compartmentalized pencil and stationary storage below the worksurface.

Code	Price	W (in.)	Weight (lb)	Volume (ft ³)
V-ADPP	83	21	2	0.62



What's Included:

One work organizer, as specified.

How to Specify:

Specify metal color.

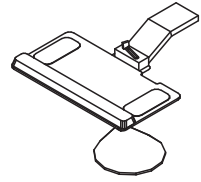
Options:

finish metal colors

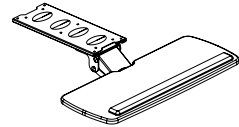
Notes:

The coat hook can be attached to the hingeway between cosmopolitan panel frames.

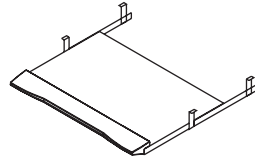
Code	Price	Weight (lb)	Volume (ft ³)
C-ACH0	77	1	0.01



Articulating Keyboard Tray w/Mouse Tray



Articulating Keyboard Tray



Retractable Laminate Keyboard Tray

What's Included:

Keyboard Tray, installation hardware.

How to Specify:

Specify laminate color for retractable keyboard. The vinyl trim color will default to match the laminate color unless otherwise specified. See the laminate finish card for details.

For articulating keyboard with mouse, right or left hand must be specified.

The articulating keyboards are available only in black.

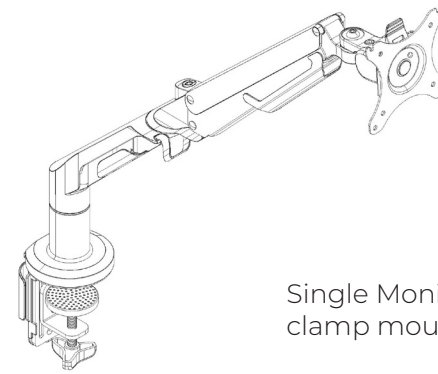
Notes:

Keyboard trays provide adjustable ergonomic support for individuals in multi-task environments

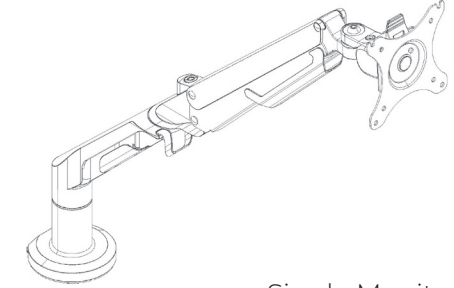
Options:

Finish:	laminate colors (retractable keyboard only)	
Hand:	R right	L left (for adjustable keyboard with mouse only)

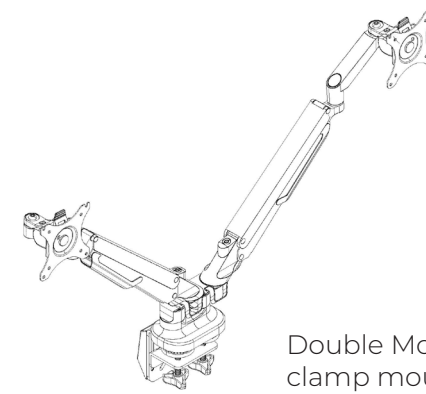
Code	Price	H (in.)	W (in.)	Weight (lb)	Volume (ft ³)
Articulating Keyboard Tray w/Mouse Tray					
V-KAS0-2011-L	593	20	11	3	0.83
V-KAS0-2011-R	593	20	11	3	0.83
Articulating Keyboard Tray					
V-KASX-2510	380	25	10	15	0.94
Retractable Laminate Keyboard Tray					
V-KRS0-2516	249	25	10	12	0.94



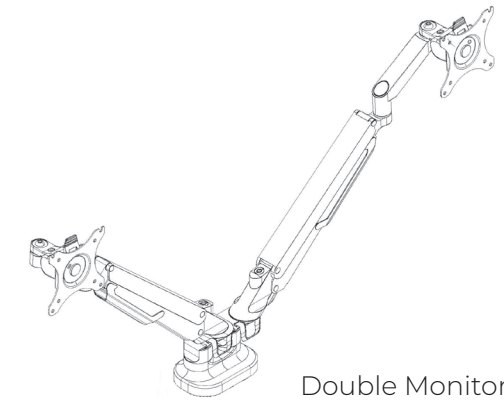
Single Monitor Arm - clamp mount



Single Monitor Arm - grommet mount



Double Monitor Arm - clamp mount



Double Monitor Arm - grommet mount

What's Included:

One monitor arm and installation hardware for both clamp and grommet mount

How to Specify:

- Specify type

Notes:

Available in silver and black

Single Monitor Arm

- Screen Size - 17"-36"
- Load Capacity - 6.6-26.4lbs/3-12kg
- Tilt Range - -90 degrees - -15 degrees

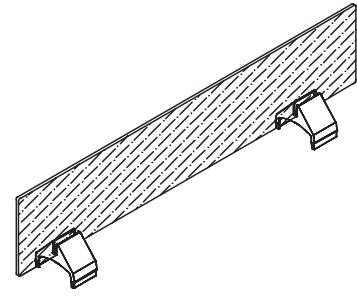
Dual Monitor Arm

- Screen Size - 17"-32"
- Load Capacity - 4.4-19.8lbs/2-9kg
- Tilt Range - -90 degrees - -15 degrees

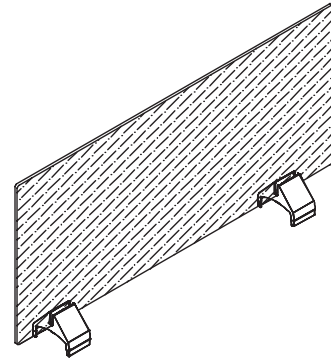
Dimensions:

Vesa: 75x75 and 100x100

Code	Price
Monitor Arm - Single Mount	
V-AFMA-01	353
Monitor Arm - Double Mount	
V-AFMA-02	589



8-inch privacy screen



16-inch privacy screen

What's Included:

Top trim mounted privacy screen, two clamps.

How to Specify:

Specify metal color.

Specify the width of the top trim mounted privacy screen to be the same width of less than the panel frame that it is to be mounted to.

Notes:

The top trim mounted privacy screen is off-module and can be specified the same width as the worksurface it is to be mounted to, or smaller.

The top trim mounted privacy screen does not provide accoustical privacy.

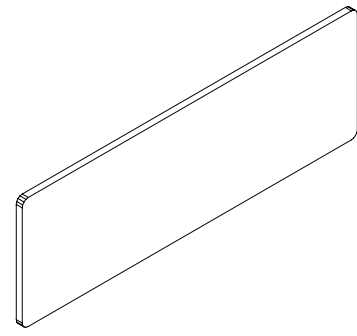
The top trim mounted privacy screen is not load bearing.

60-inch top trim mounted privacy screens come with 3 clamps.

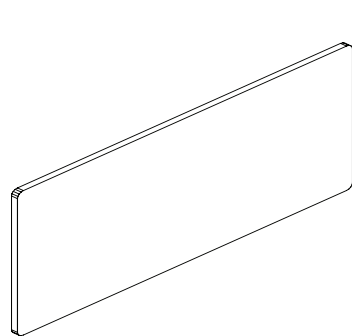
Options:

height	8, 16
width	18, 24, 30, 36, 42, 48, 54, 60
top screen finish	F frosted C clear
metal finish	metal colors

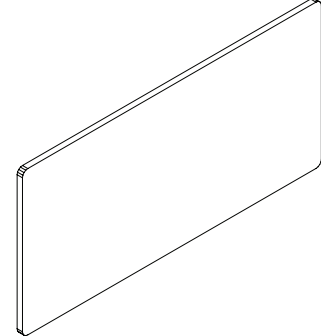
Code	Price	H (in.)	W (in.)	Weight (lb)	Volume (ft ³)	Code	Price	H (in.)	W (in.)	Weight (lb)	Volume (ft ³)
Frosted Acrylic						Clear Acrylic					
C-VGGP-0818-F	299	8	18	2.2	1	C-VGGP-0818-C	282	8	18	2.2	1
C-VGGP-0824-F	316	8	24	2.4	1.2	C-VGGP-0824-C	301	8	24	2.4	1.2
C-VGGP-0830-F	337	8	30	2.6	1.4	C-VGGP-0830-C	321	8	30	2.6	1.4
C-VGGP-0836-F	354	8	36	2.8	1.6	C-VGGP-0836-C	339	8	36	2.8	1.6
C-VGGP-0842-F	373	8	42	3	1.8	C-VGGP-0842-C	354	8	42	3	1.8
C-VGGP-0848-F	392	8	48	3.2	2	C-VGGP-0848-C	374	8	48	3.2	2
C-VGGP-0854-F	410	8	54	3.4	2.2	C-VGGP-0854-C	391	8	54	3.4	2.2
C-VGGP-0860-F	547	8	60	3.6	2.4	C-VGGP-0860-C	525	8	60	3.6	2.4
C-VGGP-1618-F	354	16	18	4.4	1.6	C-VGGP-1618-C	339	16	18	4.4	1.6
C-VGGP-1624-F	397	16	24	4.8	1.8	C-VGGP-1624-C	378	16	24	4.8	1.8
C-VGGP-1630-F	433	16	30	5.2	2	C-VGGP-1630-C	415	16	30	5.2	2
C-VGGP-1636-F	476	16	36	5.6	2.2	C-VGGP-1636-C	457	16	36	5.6	2.2
C-VGGP-1642-F	516	16	42	6	2.4	C-VGGP-1642-C	492	16	42	6	2.4
C-VGGP-1648-F	557	16	48	6.4	2.6	C-VGGP-1648-C	532	16	48	6.4	2.6
C-VGGP-1654-F	601	16	54	6.8	2.8	C-VGGP-1654-C	573	16	54	6.8	2.8
C-VGGP-1660-F	760	16	60	7.2	3	C-VGGP-1660-C	728	16	60	7.2	3



14-inch



21-inch



24-inch

What's Included:

Wall mounted tackboard, fasteners.

How to Specify:

Specify fabric.

Notes:

The wall mounted tackboard mounts to a wall in the workspace to provide a fabric wrapped tackable surface.

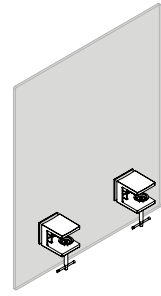
Options:

height	14, 21, 24
width	24, 30, 36, 42, 48, 54, 60, 66, 72, 78, 84, 90, 96
screen finish	panel fabrics

Code	Price	H (in.)	W (in.)	Weight (lb)	Volume (ft ³)
V-ATW0-1424-1	110	14	24	1.2	0.19
V-ATW0-1430-1	119	14	30	1.5	0.24
V-ATW0-1436-1	147	14	36	1.9	0.29
V-ATW0-1442-1	156	14	42	2.2	0.34
V-ATW0-1448-1	161	14	48	2.5	0.39
V-ATW0-1454-1	171	14	54	2.8	0.44
V-ATW0-1460-1	179	14	60	3.1	0.49
V-ATW0-1466-1	226	14	66	3.4	0.54
V-ATW0-1472-1	244	14	72	3.7	0.59
V-ATW0-1478-1	334	14	78	4	0.64
V-ATW0-1484-1	342	14	84	4.3	0.69
V-ATW0-1496-1	354	14	96	4.6	0.79
V-ATW0-2124-1	166	21	24	1.8	0.28
V-ATW0-2130-1	178	21	30	2.25	0.36
V-ATW0-2142-1	234	21	42	3.3	0.51
V-ATW0-2148-1	242	21	48	3.75	0.58
V-ATW0-2154-1	256	21	54	4.2	0.66
V-ATW0-2160-1	268	21	60	4.65	0.73
V-ATW0-2166-1	338	21	66	5.1	0.81
V-ATW0-2172-1	366	21	72	5.55	0.89
V-ATW0-2178-1	501	21	78	6	0.96
V-ATW0-2184-1	515	21	84	6.45	1.03
V-ATW0-2196-1	532	21	96	7.35	1.19
V-ATW0-2424-1	188	24	24	2.05	0.32
V-ATW0-2430-1	202	24	30	2.56	0.41
V-ATW0-2436-1	251	24	36	3.25	0.5
V-ATW0-2442-1	265	24	42	3.76	0.58
V-ATW0-2448-1	274	24	48	4.28	0.67
V-ATW0-2454-1	290	24	54	4.79	0.75
V-ATW0-2460-1	305	24	60	5.3	0.84
V-ATW0-2466-1	383	24	66	5.81	0.92
V-ATW0-2472-1	415	24	72	6.33	1.01
V-ATW0-2478-1	568	24	78	6.84	1.09
V-ATW0-2484-1	582	24	84	7.35	1.18
V-ATW0-2490-1	593	24	90	7.87	1.27
V-ATW0-2496-1	603	24	96	8.38	1.35

Code	Price	H (in.)	W (in.)	Weight (lb)	Volume (ft ³)
V-ATW0-1424-2	141	14	24	1.2	0.19
V-ATW0-1430-2	149	14	30	1.5	0.24
V-ATW0-1436-2	208	14	36	1.9	0.29
V-ATW0-1442-2	217	14	42	2.2	0.34
V-ATW0-1448-2	221	14	48	2.5	0.39
V-ATW0-1454-2	231	14	54	2.8	0.44
V-ATW0-1460-2	240	14	60	3.1	0.49
V-ATW0-1466-2	316	14	66	3.4	0.54
V-ATW0-1472-2	336	14	72	3.7	0.59
V-ATW0-1478-2	425	14	78	4	0.64
V-ATW0-1484-2	433	14	84	4.3	0.69
V-ATW0-1490-2	439	14	90	4.6	0.74
V-ATW0-1496-2	475	14	96	4.9	0.79
V-ATW0-2124-2	196	21	24	1.8	0.28
V-ATW0-2130-2	208	21	30	2.25	0.36
V-ATW0-2136-2	282	21	36	2.85	0.43
V-ATW0-2142-2	295	21	42	3.3	0.51
V-ATW0-2148-2	303	21	48	3.75	0.58
V-ATW0-2154-2	317	21	54	4.2	0.66
V-ATW0-2160-2	329	21	60	4.65	0.73
V-ATW0-2166-2	428	21	66	5.1	0.81
V-ATW0-2172-2	458	21	72	5.55	0.89
V-ATW0-2178-2	592	21	78	6	0.96
V-ATW0-2184-2	605	21	84	6.45	1.03
V-ATW0-2190-2	614	21	90	6.9	1.11
V-ATW0-2196-2	653	21	96	7.35	1.19
V-ATW0-2424-2	218	24	24	2.05	0.32
V-ATW0-2430-2	232	24	30	2.56	0.41
V-ATW0-2436-2	311	24	36	3.25	0.5
V-ATW0-2442-2	326	24	42	3.76	0.58
V-ATW0-2448-2	334	24	48	4.28	0.67
V-ATW0-2454-2	351	24	54	4.79	0.75
V-ATW0-2460-2	365	24	60	5.3	0.84
V-ATW0-2466-2	473	24	66	5.81	0.92
V-ATW0-2472-2	506	24	72	6.33	1.01
V-ATW0-2478-2	658	24	78	6.84	1.09
V-ATW0-2484-2	673	24	84	7.35	1.18
V-ATW0-2490-2	684	24	90	7.87	1.27
V-ATW0-2496-2	724	24	96	8.38	1.35

Code	Price	H (in.)	W (in.)	Weight (lb)	Volume (ft ³)
V-ATW0-1424-3	171	14	24	1.2	0.19
V-ATW0-1430-3	179	14	30	1.5	0.24
V-ATW0-1436-3	268	14	36	1.9	0.29
V-ATW0-1442-3	277	14	42	2.2	0.34
V-ATW0-1448-3	282	14	48	2.5	0.39
V-ATW0-1454-3	292	14	54	2.8	0.44
V-ATW0-1460-3	300	14	60	3.1	0.49
V-ATW0-1466-3	407	14	66	3.4	0.54
V-ATW0-1472-3	426	14	72	3.7	0.59
V-ATW0-1478-3	516	14	78	4	0.64
V-ATW0-1484-3	524	14	84	4.3	0.69
V-ATW0-1490-3	530	14	90	4.6	0.74
V-ATW0-1496-3	536	14	96	4.9	0.79
V-ATW0-2124-3	227	21	24	1.8	0.28
V-ATW0-2130-3	239	21	30	2.25	0.36
V-ATW0-2136-3	342	21	36	2.85	0.43
V-ATW0-2142-3	355	21	42	3.3	0.51
V-ATW0-2148-3	363	21	48	3.75	0.58
V-ATW0-2154-3	377	21	54	4.2	0.66
V-ATW0-2160-3	389	21	60	4.65	0.73
V-ATW0-2166-3	519	21	66	5.1	0.81
V-ATW0-2172-3	548	21	72	5.55	0.89
V-ATW0-2178-3	682	21	78	6	0.96
V-ATW0-2184-3	696	21	84	6.45	1.03
V-ATW0-2190-3	704	21	90	6.9	1.11
V-ATW0-2196-3	714	21	96	7.35	1.19
V-ATW0-2424-3	249	24	24	2.05	0.32
V-ATW0-2430-3	263	24	30	2.56	0.41
V-ATW0-2436-3	372	24	36	3.25	0.5
V-ATW0-2442-3	386	24	42	3.76	0.58
V-ATW0-2448-3	395	24	48	4.28	0.67
V-ATW0-2454-3	411	24	54	4.79	0.75
V-ATW0-2460-3	426	24	60	5.3	0.84
V-ATW0-2466-3	564	24	66	5.81	0.92
V-ATW0-2472-3	596	24	72	6.33	1.01
V-ATW0-2478-3	749	24	78	6.84	1.09
V-ATW0-2484-3	763	24	84	7.35	1.18
V-ATW0-2490-3	774	24	90	7.87	1.27
V-ATW0-2496-3	784	24	96	8.38	1.35



worksurface edge mounted screen

What's Included:

Worksurface edge mounted screen, two clamps.

How to Specify:

The worksurface edge mounted screen is off-module and can be specified the same width as the worksurface it is to be mounted to, or smaller.

The worksurface edge mounted screen does not provide acoustical privacy.

Notes:

The clamps on the worksurface edge mounted screens are finished in silver only.

Specify the width of the worksurface screen to be the same width or less than the worksurface or table that it is to be mounted to.

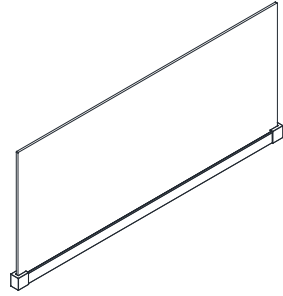
Options:

width 24, 30, 36, 42, 48, 54, 60, 66, 72, 78, 84, 90

screen finish **F** - frosted

metal finish **P112** silver

Code	Price	H (in.)	W (in.)	Weight (lb)	Volume (ft ³)
C-VGGW-24-F	329	24	312	24	5.78
C-VGGW-30-F	391	24	382	30	7.1
C-VGGW-36-F	450	24	452	36	8.43
C-VGGW-42-F	509	24	522	42	9.75
C-VGGW-48-F	571	24	594	48	11.08
C-VGGW-54-F	629	24	665	54	12.4
C-VGGW-60-F	693	24	735	60	13.73
C-VGGW-66-F	814	24	848	66	15.06
C-VGGW-72-F	873	24	917	72	16.4
C-VGGW-78-F	934	24	989	78	17.72
C-VGGW-84-F	993	24	1059	84	19.05
C-VGGW-90-F	1055	24	1129	90	20.38



What's Included:

Panel mounted acrylic screen, installation hardware. .

How to Specify:

Specify metal color.

Specify the width of the panel top mounted privacy screen to be the same width of the panel frame that it is to be mounted to.

Notes:

The panel top mounted privacy screen is on-module to panel frames of the same width.

The panel top mounted privacy screen does not provide accoustical privacy.

Double span panel top mounted privacy screen can be placed across the width of two equal sized panels

Options:

height	8, 16
width	18, 24, 30, 36, 42, 48, 54, 60
finish	F frosted acrylic C clear acrylic C-G clear glass F-G frosted glass
metal	metal colors

Code	Price	H (in.)	W (in.)	Weight (lb)	Volume (ft ³)
Clear Acrylic					
C-VUCP-0818-C	440	8	18	2.2	0.17
C-VUCP-0824-C	459	8	24	2.4	0.22
C-VUCP-0830-C	485	8	30	2.6	0.28
C-VUCP-0836-C	531	8	36	2.8	0.33
C-VUCP-0842-C	568	8	42	3	0.39
C-VUCP-0848-C	573	8	48	3.2	0.44
C-VUCP-0854-C	618	8	54	3.4	0.5
C-VUCP-0860-C	625	8	60	3.6	0.56
C-VUCP-1618-C	475	16	18	4.4	0.33
C-VUCP-1624-C	498	16	24	4.8	0.44
C-VUCP-1630-C	529	16	30	5.2	0.56
C-VUCP-1636-C	578	16	36	5.6	0.67
C-VUCP-1642-C	617	16	42	6	0.78
C-VUCP-1648-C	625	16	48	6.4	0.89
C-VUCP-1654-C	674	16	54	6.8	1
C-VUCP-1660-C	678	16	60	7.2	1.11
Double Span Clear Acrylic					
C-VUCP-0872-C	680	8	72	4	0.68
C-VUCP-1672-C	739	16	72	8	1.33

Code	Price	H (in.)	W (in.)	Weight (lb)	Volume (ft ³)
Frosted Acrylic					
C-VUCP-0818-F	568	8	18	2.2	0.17
C-VUCP-0824-F	595	8	24	2.4	0.22
C-VUCP-0830-F	630	8	30	2.6	0.28
C-VUCP-0836-F	689	8	36	2.8	0.33
C-VUCP-0842-F	739	8	42	3	0.39
C-VUCP-0848-F	746	8	48	3.2	0.44
C-VUCP-0854-F	805	8	54	3.4	0.5
C-VUCP-0860-F	811	8	60	3.6	0.56
C-VUCP-1618-F	617	16	18	4.4	0.33
C-VUCP-1624-F	649	16	24	4.8	0.44
C-VUCP-1630-F	686	16	30	5.2	0.56
C-VUCP-1636-F	750	16	36	5.6	0.67
C-VUCP-1642-F	803	16	42	6	0.78
C-VUCP-1648-F	811	16	48	6.4	0.89
C-VUCP-1654-F	876	16	54	6.8	1
C-VUCP-1660-F	881	16	60	7.2	1.11
Double Span Frosted Acrylic					
C-VUCP-0872-F	883	8	72	4	0.68
C-VUCP-1672-F	960	16	72	8	1.33

Code	Price	H (in.)	W (in.)	Weight (lb)	Volume (ft ³)
Clear Tempered Glass					
C-VUCP-0818-C-G	440	8	18	3.4	0.17
C-VUCP-0824-C-G	459	8	24	4.53	0.22
C-VUCP-0830-C-G	485	8	30	5.67	0.28
C-VUCP-0836-C-G	531	8	36	6.8	0.33
C-VUCP-0842-C-G	568	8	42	7.93	0.39
C-VUCP-0848-C-G	573	8	48	9.07	0.44
C-VUCP-0854-C-G	618	8	54	10.2	0.5
C-VUCP-0860-C-G	628	8	60	11.33	0.56
C-VUCP-1618-C-G	475	16	18	6.8	0.33
C-VUCP-1624-C-G	498	16	24	9.07	0.44
C-VUCP-1630-C-G	529	16	30	11.33	0.56
C-VUCP-1636-C-G	578	16	36	13.6	0.67
C-VUCP-1642-C-G	617	16	42	15.87	0.78
C-VUCP-1648-C-G	625	16	48	18.13	0.89
C-VUCP-1654-C-G	674	16	54	20.4	1
C-VUCP-1660-C-G	678	16	60	22.67	1.11
Double Span Clear Tempered Glass					
C-VUCP-0872-C-G	680	8	72	13.59	0.68
C-VUCP-1672-C-G	739	16	72	27.21	1.33

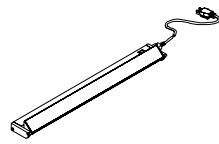
Code	Price	H (in.)	W (in.)	Weight (lb)	Volume (ft ³)
Frosted Tempered Glass					
C-VUCP-0818-F-G	568	8	18	3.4	0.17
C-VUCP-0824-F-G	595	8	24	4.53	0.22
C-VUCP-0830-F-G	630	8	30	5.67	0.28
C-VUCP-0836-F-G	689	8	36	6.8	0.33
C-VUCP-0842-F-G	739	8	42	7.93	0.39
C-VUCP-0848-F-G	746	8	48	9.07	0.44
C-VUCP-0854-F-G	805	8	54	10.2	0.5
C-VUCP-0860-F-G	811	8	60	11.33	0.56
C-VUCP-1618-F-G	617	16	18	6.8	0.33
C-VUCP-1624-F-G	649	16	24	9.07	0.44
C-VUCP-1630-F-G	686	16	30	11.33	0.56
C-VUCP-1636-F-G	750	16	36	13.6	0.67
C-VUCP-1642-F-G	803	16	42	15.87	0.78
C-VUCP-1648-F-G	811	16	48	18.13	0.89
C-VUCP-1654-F-G	876	16	54	20.4	1
C-VUCP-1660-F-G	881	16	60	22.67	1.11
Double Span Frosted Tempered Glass					
C-VUCP-0872-F-G	883	8	72	13.59	0.68
C-VUCP-1672-F-G	960	16	72	27.21	1.33



Cosmo Pricebook
Oct 2023
**Electrics
Communication
Lighting**

electrics, communication, lighting

task light	188
power modules	189
electric starter harness	190
monitor arm	191
communication kit	191
power pole	192
belt-line electrics power module	194
horizontal wire manager	195
connector harness	196
male/female extension harness	198



What's Included:

Task Light, installation hardware.

How to Specify:

This product is available only in silver.

Options:

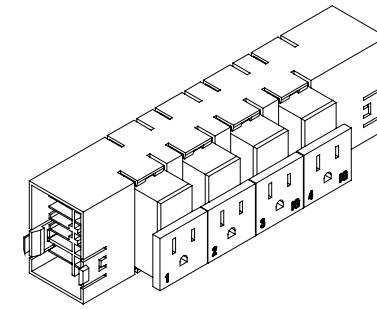
width 24, 36, 48

Notes:

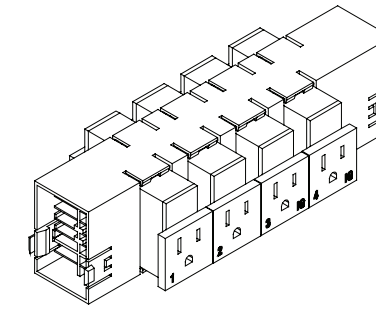
The task light can be mounted beneath an overhead cabinet or shelf to provide focused lighting within the workstation.

The task light cord is 9-feet long from the end of the task light.

Code	Price	H (in.)	W (in.)	D 1 (in.)	Weight (lb)	Volume (ft ³)
V-ELU-24	285	1.1	24.53	3.5	9.5	0.16
V-ELU-36	321	1.1	36.34	3.5	13.7	0.27
V-ELU-48	403	1.1	48.15	3.5	17.9	0.38



single sided



double sided

What's Included:

Base electrics power module as specified.

How to Specify:

This product is available only in black.

Notes:

8 wire 4 circuit electrical system.

The base electrics power module can be retrofitted into the base raceway of existing Cosmo panel frames.

Base electrics power modules can be single-sided or double-sided.

18-inch wide panel frame does not accommodate a base power module.

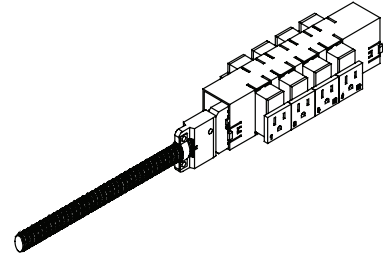
24-inch wide panel frames placed side-by-side only accommodates one base power module in one panel.

24-inch wide panel frame with base power module does not accommodate base data/communication kits.

Options:

type **S** single-sided **D** double-sided

Code	Price	Weight (lb)	Volume (ft ³)
Single sided			
C-EM84-S	209	1.7	0.2
Double sided			
C-EM84-D	337	2	0.2



What's Included:

Electric Starter Harness, as specified.

How to Specify:

This product is available only in black.

Options:

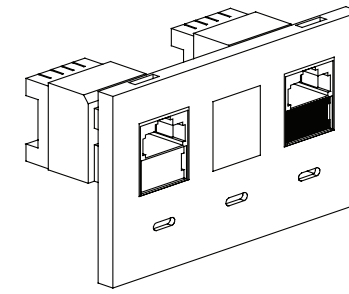
configuration	B14 4 outlets (14")	B20 8 outlets (20")
accessibility	S single-sided	D - double-sided

Notes:

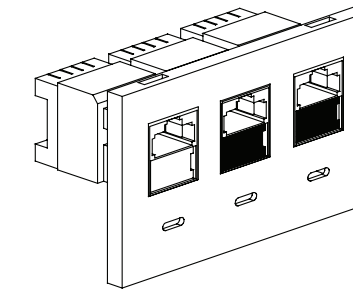
8 wire 4 circuit electrical system.

The starter harness is available in 72-inch and 168-inch lengths.

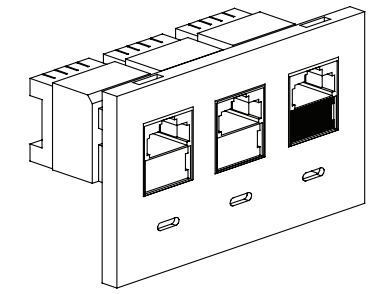
Code	Price	Weight (lb)	Volume (ft ³)
Base-line			
C-ES84-072-S	493	2.48	0.4
C-ES84-168-S	650	5.12	0.4
C-ES84-072-D	619	2.28	0.4
C-ES84-168-D	777	5.22	0.4
Belt-line			
C-ES84-072-B14	674	3.28	0.4
C-ES84-168-B14	832	4.48	0.4
C-ES84-072-B20	784	3.48	0.4
C-ES84-168-B20	942	5.22	0.4



ECK1



ECK2



ECK23

What's Included:

Communication kit, face plate, and jacks, as specified.

How to Specify:

This product is available only in black.

Specify configuration.

Options:

configuration	1 config 1	2 config 2	3 config 3
type	base-line	B belt-line	

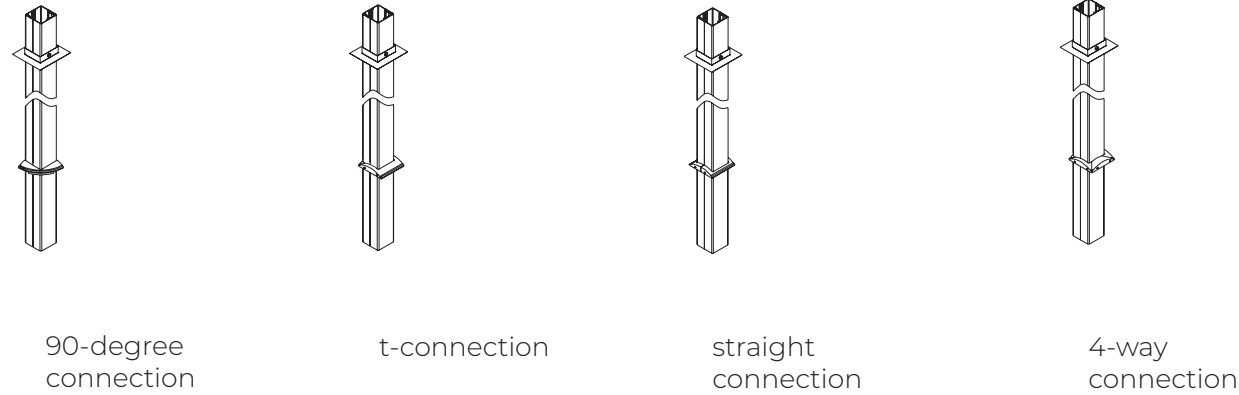
Notes:

Config 1: one communication outlet (RJ11), one data outlet (RJ45)

Config 2: two communication outlets (RJ11), one data outlet (RJ45)

Config 3: one communication outlet (RJ11), two data outlets (RJ45)

Code	Price	Weight (lb)	Volume (ft ³)
Base-line			
C-ECK1	152	0.24	0.2
C-ECK2	186	0.34	0.2
C-ECK3	232	0.34	0.2
Belt-line			
C-ECK1-B	195	0.24	0.2
C-ECK2-B	227	0.34	0.2
C-ECK3-B	276	0.34	0.2



What's Included:

Power pole, top cap, ceiling grommet.

How to Specify:

Specify vinyl color.

Refer to the vinyl/metal finish card for details.

Notes:

8 wire 4 circuit electrical system.

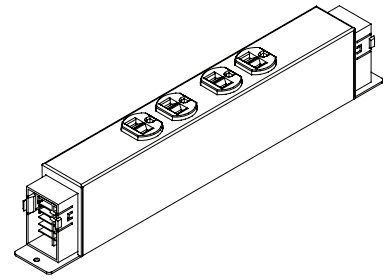
The vinyl power pole attaches to cosmo panel connectors in 90-degree connections, T-connections, straight connections or 4-way connections.

144-inch power poles have the option of being divided.

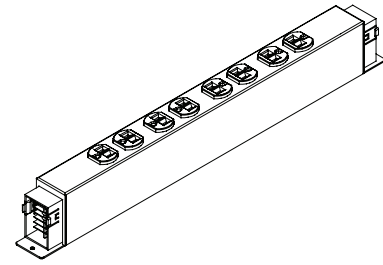
Options:

type	D - divided	O - non-divided
height	72, 144	
connection	N 90-degree connection	T t-connection
	S straight connection	4 4-way connection
finish	vinyl colors	

Code	Price	Weight (lb)	Volume (ft ³)
90-degree connection			
C-EPVD-144-N	354	6	1.5
C-EPV0-072-N	208	3	1
C-EPV0-144-N	323	6	1.5
t-connection			
C-EPVD-144-T	354	6	1.5
C-EPV0-072-T	208	3	1
C-EPV0-144-T	323	6	1.5
straight connection			
C-EPVD-144-S	354	6	1.5
C-EPV0-072-S	208	3	1
C-EPV0-144-S	323	6	1.5
4-way connection			
C-EPVD-144-4	354	6	1.5
C-EPV0-072-4	208	3	1
C-EPV0-144-4	323	6	1.5



4 outlets



8 outlets

What's Included:

Belt-line electrics power module as specified.

How to Specify:

This product is available only in black.

Notes:

8 wire 4 circuit electrical system.

Belt-line electrics power modules are available with four outlets or eight outlets.

18-inch and 24-inch wide panel frames do not accommodate a belt-line power module.

30-inch wide panel frame accommodates belt-line power module with 4 outlets only.

30-inch wide panel frames placed side-by-side can only accommodate one 4 outlet module in one of the panel frames.

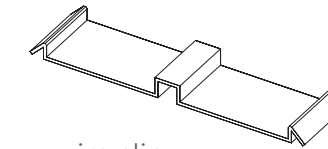
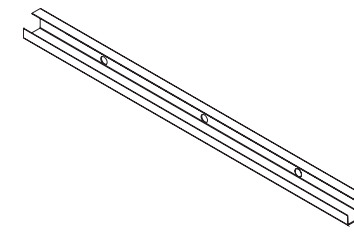
30-inch wide panel frame with a belt-line power module does not accommodate belt-line data/communication kits.

36-inch wide panel frame with a belt-line power module (8 outlets) does not accommodate belt-line data/communication kits.

Options:

type **B14** 4 outlets (14") **B20** 8 outlets (20")

Code	Price	Weight (lb)	Volume (ft ³)
4 outlets			
C-EM84-B14	391	2	0.2
8 outlets			
C-EM84-B20	501	2.7	0.2



wire clip

What's Included:

Wire Manager, installation hardware.

How to Specify:

Specify the length of the wire manager to be 6-inches less than the width of the workstation to which it will be mounted.

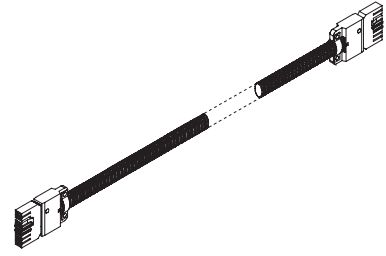
Notes:

The horizontal wire manager attaches to the underside of a worksurface.

Options:

width 12, 18, 24, 30, 36, 42, 48, 54, 60, 66, 72

Code	Price	W (in.)	Weight (lb)	Volume (ft ³)
horizontal wire manager				
V-EWHB-12	8	12	0.15	0.1
V-EWHB-18	11	18	0.25	0.15
V-EWHB-24	15	24	0.35	0.2
V-EWHB-30	19	30	0.45	0.25
V-EWHB-36	22	36	0.55	0.3
V-EWHB-42	25	42	0.65	0.35
V-EWHB-48	28	48	0.75	0.4
V-EWHB-54	31	54	0.85	0.45
V-EWHB-60	35	60	0.95	0.5
V-EWHB-66	39	66	1.05	0.55
V-EWHB-72	41	72	1.15	0.6
worksurface wire clips				
V-EWHC	37			



What's Included:

Connector Harness, as specified.

How to Specify:

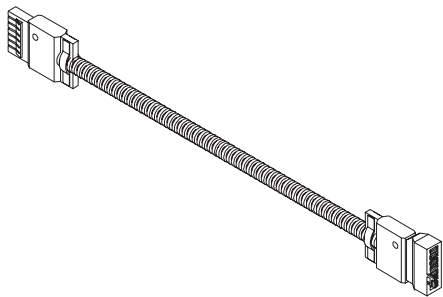
Options:

length 22, 25, 28, 31, 34, 37, 40, 43, 46, 49, 52, 55, 58, 61, 64, 67, 70, 73, 76, 79, 82, 85, 88, 91, 94, 97, 100, 103, 106, 109, 112, 115, 118, 121, 124, 127, 130, 133, 136, 139, 142, 145, 148, 151, 154, 157, 160, 163, 166, 169, 172, 175, 178, 181

Notes:

8 wire 4 circuit electrical system.
 The connector harness is equipped with two male ends.
 Connector harnesses, 148-inches and longer are comprised of two pieces connected together.

Code	Price	L (in.)	Weight (lb)	Volume (ft ³)	Code	Price	L (in.)	Weight (lb)	Volume (ft ³)
one piece harness					C-EH84-103	310	103	2.7	0.2
C-EH84-22	158	22	0.6	0.2	C-EH84-106	317	106	2.86	0.2
C-EH84-25	164	25	0.7	0.2	C-EH84-109	323	109	2.86	0.2
C-EH84-28	168	28	0.8	0.2	C-EH84-112	328	112	3.03	0.2
C-EH84-31	176	31	0.8	0.2	C-EH84-115	334	115	3.03	0.2
C-EH84-34	180	34	0.9	0.2	C-EH84-118	341	118	3.19	0.2
C-EH84-37	186	37	1	0.2	C-EH84-121	345	121	3.36	0.2
C-EH84-40	195	40	1.1	0.2	C-EH84-124	350	124	3.36	0.2
C-EH84-43	198	43	1.2	0.2	C-EH84-127	359	127	3.52	0.2
C-EH84-46	202	46	1.3	0.2	C-EH84-130	363	130	3.52	0.2
C-EH84-49	207	49	1.5	0.2	C-EH84-133	366	133	3.39	0.2
C-EH84-52	215	52	1.5	0.2	C-EH84-136	375	136	3.69	0.2
C-EH84-55	221	55	1.6	0.2	C-EH84-139	380	139	3.85	0.2
C-EH84-58	227	58	1.7	0.2	C-EH84-142	385	142	3.85	0.2
C-EH84-61	230	61	1.8	0.2	C-EH84-145	392	145	3.85	0.2
C-EH84-64	238	64	1.9	0.2	two piece harnesses				
C-EH84-67	244	67	1.9	0.2	C-EH84-148	525	148	3.85	0.2
C-EH84-70	249	70	2	0.2	C-EH84-151	530	151	4.18	0.2
C-EH84-73	256	73	1.95	0.2	C-EH84-154	535	154	4.26	0.2
C-EH84-76	261	76	2.04	0.2	C-EH84-157	542	157	4.35	0.2
C-EH84-79	265	79	2.12	0.2	C-EH84-160	546	160	4.43	0.2
C-EH84-82	271	82	2.12	0.2	C-EH84-163	549	163	4.51	0.2
C-EH84-85	277	85	2.37	0.2	C-EH84-166	557	166	4.59	0.2
C-EH84-88	282	88	2.37	0.2	C-EH84-169	564	169	4.68	0.2
C-EH84-91	288	91	2.37	0.2	C-EH84-172	569	172	4.76	0.2
C-EH84-94	293	94	2.53	0.2	C-EH84-175	576	175	4.84	0.2
C-EH84-97	301	97	2.53	0.2	C-EH84-178	582	178	4.92	0.2
C-EH84-100	306	100	2.7	0.2	C-EH84-181	587	181	5.01	0.2



What's Included:

Harness, as specified.

How to Specify:

This product is available only in black.

Notes:

8 wire 4 circuit electrical system.

The harness is equipped with one male end and one female end. The harness connects connector harnesses to electrical power modules.

Options:

length 44, 122

Code	Price	L (in.)	Weight (lb)	Volume (ft ³)
C-E8FM-044	202	44	0.3	0.2
C-E8FM-122	350	122	0.6	0.2