



# Tables Pricebook

May 2023

Contract# - MA220000002843

Caution	iii
Volley tables	5
120 base & surface	6
straight	8
5 sided	10
unitized	12
Norris tables	23
super ellipse without power and data	24
super ellipse with power and data	26
video without power and data	28
video with power and data	30
boat without power and data	32
boat with power and data	34
straight without power and data	36
straight with power and data	38
Kip tables	41
community table without power and data	42
community table with power and data	44
Koko tables	47
rectangular table	48
round table	49
Hanna tables	51
T base - slim	52
T base - tubular	54
X base - slim	56
X base - tubular	58
super ellipse top	60
round top	62
squircle top	64
rectangular top	66
square top	68
One-touch tables	71
flip-top mobile	72
power, data and wire management	74
accessories	76

**Load Bottom Drawer First**

- Operate one drawer at a time
- Units may tip if loaded incorrectly
- Units should be attached to a wall or other furniture to reduce tipping hazard
- Always load the heaviest files in the bottom drawer

**Heavy Load**

- Some products must be anchored to wall to ensure stability & safety.
- It is the owner and installers responsibility to ensure that the wall type and construction is of sufficient strength to carry the loads of any wall mounted products and their contents.
- Failure of the wall and anchors to support all imposed loads may result in property damage and/or personal injury.
- Tayco can provide size and empty weight of its products only. As wall blocking is considered a building construction process, Tayco cannot provide recommendations in this respect and cannot be responsible for damage or injury that may occur as a result of improper installation and/or blocking.

**Instability Hazard**

Mobile items on casters such as flip top, personal and movable tables of any type and storage items of any type may present an instability hazard if not secured correctly while in use or in storage. Flip top tables or training tables of any type, are inherently more unstable when folded. Tayco provides the following guidelines & warnings when using mobile products:

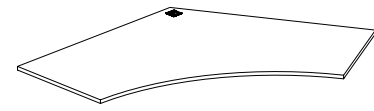
- Lock casters immediately after moving. Do not leave the casters unlocked when in use or in storage.
- Motion may increase the instability of any item with casters. If the wheels hit an obstruction the table's forward momentum often causes overturn, especially if the item is not equipped with wheel extensions. Exercise strong caution while moving these items.
- Use caution when abrupt level changes in the floor are present (such as a doorway or room threshold) as caster failure or tipping may result.
- Do not stand, sit or lean on mobile items for support. They are not intended for this use and personal injury or property damage may result.
- Mobile units that feature height adjustable elements must be lowered to the minimum compressed height when moving to prevent instability. It is also recommended the user remove all computer equipment or other accessories to prevent possible weight imbalance or damage to equipment.
- Failure to follow the guidelines above may result in property damage or personal injury.



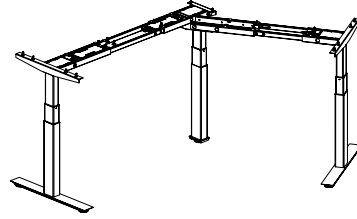
Tables Pricebook  
May 2023  
**Volley**

Volley tables

<u>120 base &amp; surface</u>	6
<u>straight</u>	8
<u>5 sided</u>	10
<u>unitized</u>	12



height adjustable surface



height adjustable base

**What's Included:**

One (1) 120 Volley table (1) with one (1) grommet, a set of height adjustable supports (1) and one digital height display unit (1).

**How to Specify:**

Grommet can be specified in silver or white. Edge color will default to match the surface color of the worksurface unless otherwise specified. Pinch points are taken into account in all of the Integrated tables.

**Notes:**

Worksurface is 1-inch thick. All worksurfaces have 2mm vinyl edge trim. Low pressure laminate is available on the top surface of a worksurface.

Table height can be adjusted to 25" from the ground and raised to a maximum height of 51" from the ground. BIFMA bases can be adjusted to 22.75" from the ground and raised to a maximum height of 48.75" from the ground.

Load capacity of 330lb with worksurface.

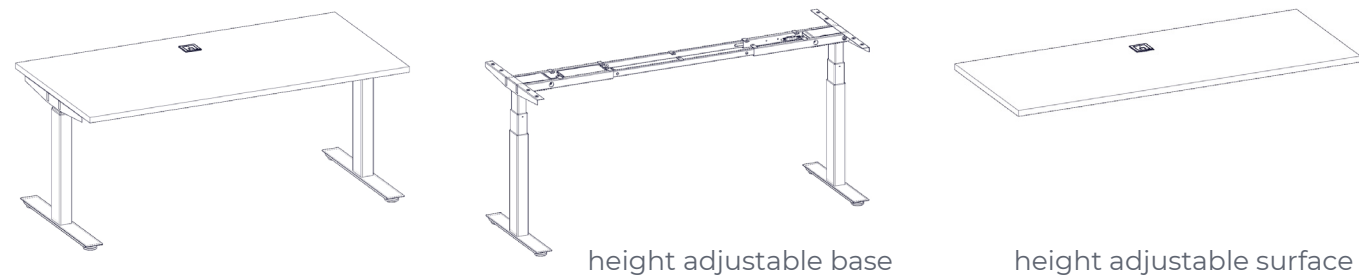
**Freestanding Options:**

Width	42", 48", 54"		
Depth	42", 48", 54"		
End	24", 30"		
Worksurface Laminate	laminate color		
Leg color	silver	white	black

**Integrated Options:**

Width	40", 46", 52"		
Depth	40", 46", 52"		
End	23", 29"		
Worksurface Laminate	laminate color		
Leg color	silver	white	black

Code	Price	Height (in)	W Range (in)	D (in)	Volume (ft <sup>3</sup> )	Weight (lb)
<b>120 Base</b>						
R-HA3B2-S-G3	3007		40"-48"	24	4.22	120
R-HA3B2-L-G3	3035		52"-60"	24	4.27	128
<b>BIFMA Base</b>						
R-HA3B2-S-G3-B	3007		40"-48"	24	4.22	120
R-HA3B2-L-G3-B	3035		52"-60"	24	4.27	128
<b>120 Surface - Freestanding</b>						
R-S2CG-4224	890	1	42	42	1.8	32
R-S2CG-4230	1077	1	42	42	2.125	35
R-S2CG-4824	944	1	48	48	1.9	35
R-S2CG-4830	1132	1	48	48	2.25	38
R-S2CG-5424	956	1	54	54	2.1	38
R-S2CG-5430	1144	1	54	54	2.45	41
<b>120 Surface - Integrated</b>						
R-S2CG-4023	859	1	40	40	1.71	30
R-S2CG-4029	1029	1	40	40	2.03	33
R-S2CG-4623	914	1	46	46	1.8	33
R-S2CG-4629	1084	1	46	46	2.15	36
R-S2CG-5223	926	1	52	52	2	36
R-S2CG-5229	1096	1	52	52	2.35	39



**What's Included:**

Straight desk worksurface (1) with a center grommet (1) a set of height adjustable supports (1) and one digital height display unit (1).

**How to Specify:**

Grommet can be specified in silver or white.

Edge color will default to match the surface color of the worksurface unless otherwise specified.

Pinch points are taken into account in all of the Integrated tables.

**Notes:**

Straight desk worksurface is 1-inch thick.

Table height can be adjusted to 25" from the ground and raised to a maximum height of 51" from the ground. BIFMA bases can be adjusted to 22.75" from the ground and raised to a maximum height of 48.75" from the ground.

Load capacity of 275lb with worksurface.

**Freestanding Options:**

Width	36", 42", 48", 54", 60", 66", 72"		
Depth	24", 30"		
Worksurface Laminate	laminate color		
Leg color	silver	white	black

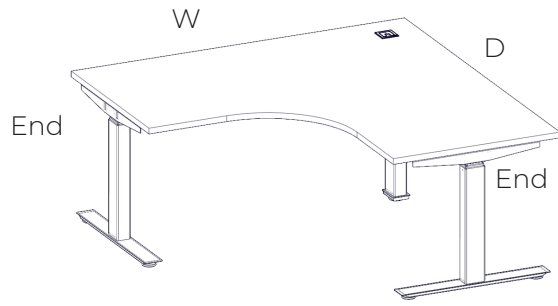
**Integrated Options:**

Width	34", 40", 46", 52", 58", 64", 70"		
Depth	23", 29"		
Worksurface Laminate	laminate color		
Leg color	silver	white	black

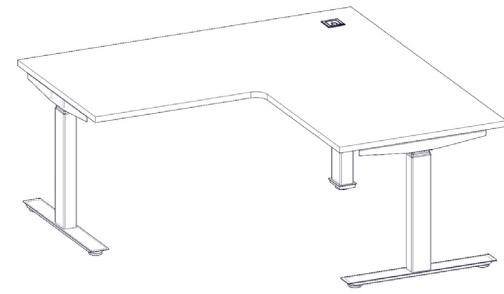
**straight - base**

Code	Price	W Range (in)	D(in)	Weight (lb)	Volume (ft <sup>3</sup> )
R-HATB-S-G3	1384	40"-72"	24	88	2.8
R-HATB-L-G3	1416	76"-90"	24	90	2.86
<b>BIFMA base</b>					
R-HATB-S-G3-B	1384	40"-72"	24	88	2.8
R-HATB-L-G3-B	1416	76"-90"	24	90	2.86

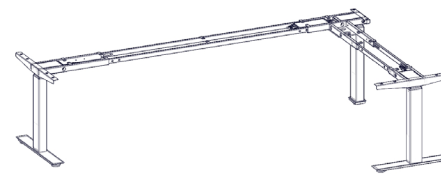
Code	Price	Width (in)	Depth (in)	Volume (ft <sup>3</sup> )	Weight (lb)
<b>surface - freestanding</b>					
R-WS0G-3624	298	36	24	0	16
R-WS0G-3630	304	36	30	0	20
R-WS0G-4224	318	42	24	0	18.66
R-WS0G-4230	325	42	30	0	23.33
R-WS0G-4824	363	48	24	0	21.33
R-WS0G-4830	382	48	30	0	26.67
R-WS0G-5424	439	54	24	0	24
R-WS0G-5430	469	54	30	0	30
R-WS0G-6024	460	60	24	0	26.67
R-WS0G-6030	491	60	30	0	33.31
R-WS0G-6624	509	66	24	0	29.33
R-WS0G-6630	523	66	30	0	36.65
R-WS0G-7224	534	72	24	0	32
R-WS0G-7230	536	72	30	0	40
R-WS0G-7824	661	78	24	1.3	34
R-WS0G-7830	697	78	30	1.625	42
R-WS0G-8424	722	84	24	1.4	36
R-WS0G-8430	758	84	30	1.75	44
<b>surface integrated</b>					
R-WS0G-3423	298	34	23	0	15.98
R-WS0G-3429	304	34	29	0	19.97
R-WS0G-4023	318	40	23	0	18.64
R-WS0G-4029	325	40	29	0	23.3
R-WS0G-4623	363	46	23	0	21.31
R-WS0G-4629	382	46	29	0	26.64
R-WS0G-5223	426	52	23	0	23.98
R-WS0G-5229	439	52	29	0	29.77
R-WS0G-5823	460	58	23	0	26.65
R-WS0G-5829	452	58	29	0	33.28
R-WS0G-6423	509	64	23	0	29.31
R-WS0G-6429	523	64	29	0	36.62
R-WS0G-7023	534	70	23	0	31.98
R-WS0G-7029	536	70	29	0	39.77
R-WS0G-7623	661	76	23	1.21	33.98
R-WS0G-7629	697	76	29	1.53	41.77
R-WS0G-8223	722	82	23	1.3	35.98
R-WS0G-8229	758	82	29	1.65	43.77



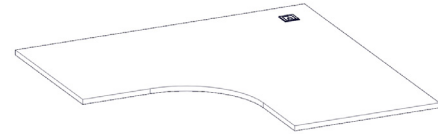
5 sided height adjustable table- curved



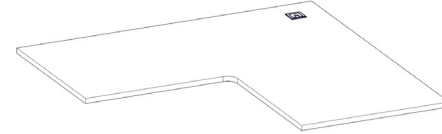
5 sided height adjustable table- 90 degree



5 sided base



5 sided surface - curved



5 sided surface - 90 degree

**What's Included:**

Unitized Volley tables (1) with one grommet (1), a set of height adjustable supports (1) and one digital height display unit (1).

**How to Specify:**

Grommet can be specified in silver or white.

Edge color will default to match the surface color of the worksurface unless otherwise specified.

Pinch points are taken into account in all of the Integrated tables.

**Notes:**

Straight desk worksurface is 1-inch thick.

Table height can be adjusted to 25" from the ground and raised to a maximum height of 51" from the ground. BIFMA bases can be adjusted to 22.75" from the ground and raised to a maximum height of 48.75" from the ground.

Load capacity of 330lb with worksurface.

**Freestanding Options:**

Width/Depth	48", 54", 60",		
End	24", 30"		
Worksurface Laminate	laminate color		
Leg color	silver	white	black

**Integrated Options:**

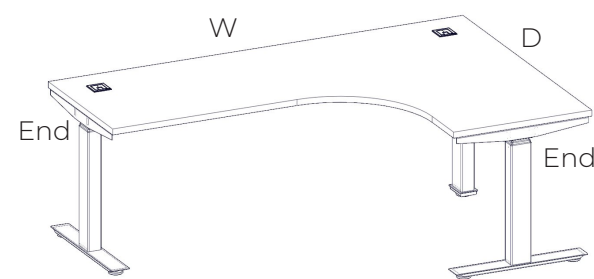
Width/Depth	46", 52", 58"		
End	23", 29"		
Worksurface Laminate	laminate color		
Leg color	silver	white	black

5 sided base

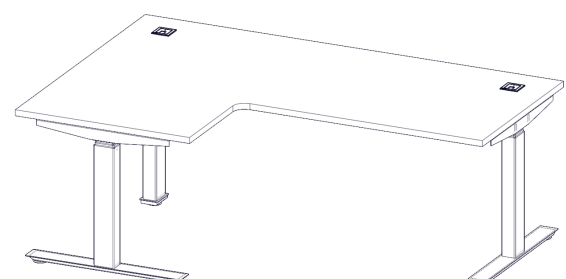
Code	Price	W Range (in)	D (in)	Volume (ft <sup>3</sup> )	Weight (lb)
R-HA3B-S-G3	2792	46"-72"	24	146	4.22
R-HA3B-L-G3	2823	58"-84"	24	148	4.27
<b>BIFMA base</b>					
R-HA3B-S-G3-B	2792	46"-72"	24	146	4.22
R-HA3B-L-G3-B	2823	58"-84"	24	148	4.27

5 sided surface

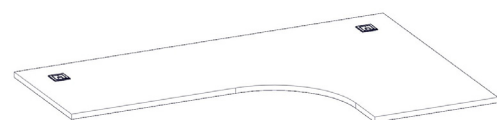
Code	Price	Width (in)	Depth (in)	Volume (ft <sup>3</sup> )	Weight (lb)
<b>freestanding curved</b>					
R-W5CG-4824	644	48	24	5.22	47.43
R-W5CG-4830	670	48	30	5.22	50.21
R-W5CG-5424	735	54	24	5.22	49.45
R-W5CG-5430	834	54	30	5.22	51.63
R-W5CG-6024	817	60	24	5.22	54.2
R-W5CG-6030	954	60	30	5.22	56.32
<b>freestanding 90 degree</b>					
R-W5NG-4824	644	48	24	5.22	47.43
R-W5NG-4830	670	48	30	5.22	50.21
R-W5NG-5424	735	54	24	5.22	49.45
R-W5NG-5430	834	54	30	5.22	51.63
R-W5NG-6024	817	60	24	5.22	54.2
R-W5NG-6030	954	60	30	5.22	56.32
<b>integrated curved</b>					
R-W5CG-4623	644	46	23	5.22	47.43
R-W5CG-4629	670	46	29	5.22	50.21
R-W5CG-5223	735	52	23	5.22	49.45
R-W5CG-5229	834	52	29	5.22	51.63
R-W5CG-5823	817	58	23	5.22	54.2
R-W5CG-5829	954	58	29	5.22	56.32
<b>integrated 90 degree</b>					
R-W5NG-4623	644	46	23	5.22	47.43
R-W5NG-4629	670	46	29	5.22	50.12
R-W5NG-5223	735	52	23	5.22	49.43
R-W5NG-5229	834	52	29	5.22	51.6
R-W5NG-5823	817	58	23	5.22	54.01
R-W5NG-5829	954	58	29	5.22	56.03



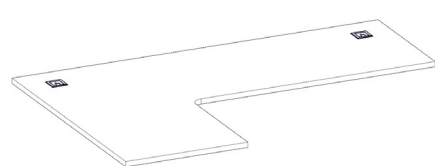
unitized height adjustable table - curved left hand version shown



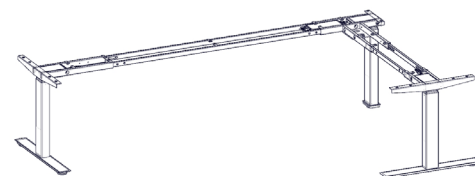
unitized height adjustable table - 90 degree right hand version shown



unitized surface - curved -left hand version shown



unitized surface- 90 degree - right hand version shown



unitized base

**What's Included:**

Unitized Volley tables (1) with two grommets (2) a set of height adjustable supports (1) and one digital height display unit (1).

**How to Specify:**

Grommet can be specified in silver or white.

Edge color will default to match the surface color of the worksurface unless otherwise specified.

Pinch points are taken into account in all of the Integrated tables.

**Notes:**

Straight desk worksurface is 1-inch thick.

All worksurfaces have 2mm vinyl edge trim.

Low pressure laminate is available on the top surface of a worksurface.

Table height can be adjusted to 25.5" from the ground and raised to a maximum height of 51" from the ground.

Load capacity of 350lb with worksurface.

**Freestanding Options:**

Width	60", 66", 72", 78", 84"		
Depth	48", 54", 60"		
End	24", 30"		
Worksurface Laminate	laminate color		
Leg color	silver	white	black

**Integrated Options:**

Width	58", 64", 70", 76", 82"		
Depth	46", 52", 58"		
End	23", 29"		
Worksurface Laminate	laminate color		
Leg color	silver	white	black

**unitized base**

Code	Price	W Range (in)	D (in)	Volume (ft <sup>3</sup> )	Weight (lb)
R-HA3B-S-G3	2792	46"-72"	24	146	4.22
R-HA3B-L-G3	2823	58"-84"	24	148	4.27

Code	Price	W (in)	Depth (in)	End (in)	Volume (ft <sup>3</sup> )	Weight (lb)
<b>surface - freestanding curved</b>						
R-WUCG-604824-L	938	60	48	24	5.42	46.03
R-WUCG-604824-R	938	60	48	24	5.42	46.03
R-WUCG-604830-L	963	60	48	30	5.42	48.13
R-WUCG-604830-R	963	60	48	30	5.42	48.13
R-WUCG-605424-L	1030	60	54	24	5.42	47.06
R-WUCG-605424-R	1030	60	54	24	5.42	47.06
R-WUCG-605430-L	1056	60	54	30	5.42	49.32
R-WUCG-605430-R	1056	60	54	30	5.42	49.32
R-WUCG-664824-L	1040	66	48	24	5.42	48.13
R-WUCG-664824-R	1040	66	48	24	5.42	48.13
R-WUCG-664830-L	1069	66	48	30	5.42	49.56
R-WUCG-664830-R	1069	66	48	30	5.42	49.56
R-WUCG-665424-L	1140	66	54	24	5.42	49.26
R-WUCG-665424-R	1140	66	54	24	5.42	49.26
R-WUCG-665430-L	1164	66	54	30	5.42	51.96
R-WUCG-665430-R	1164	66	54	30	5.42	51.96



Code	Price	W (in)	Depth (in)	End (in)	Volume (ft <sup>3</sup> )	Weight (lb)
freestanding curved - continued						
R-WUCG-666024-L	1238	66	60	24	5.42	52.36
R-WUCG-666024-R	1238	66	60	24	5.42	52.36
R-WUCG-666030-L	1266	66	60	30	5.42	54.65
R-WUCG-666030-R	1266	66	60	30	5.42	54.65
R-WUCG-724824-L	1089	72	48	24	5.42	52.33
R-WUCG-724824-R	1089	72	48	24	5.42	52.33
R-WUCG-724830-L	1114	72	48	30	5.42	53.69
R-WUCG-724830-R	1114	72	48	30	5.42	53.69
R-WUCG-725424-L	1190	72	54	24	5.42	53.65
R-WUCG-725424-R	1190	72	54	24	5.42	53.65
R-WUCG-725430-L	1220	72	54	30	5.42	55.21
R-WUCG-725430-R	1220	72	54	30	5.42	55.21
R-WUCG-726024-L	1295	72	60	24	5.42	55.36
R-WUCG-726024-R	1295	72	60	24	5.42	55.36
R-WUCG-726030-L	1322	72	60	30	5.42	57.31
R-WUCG-726030-R	1322	72	60	30	5.42	57.31
R-WUCG-784824-L	1223	78	48	24	5.42	54.16
R-WUCG-784824-R	1223	78	48	24	5.42	54.16
R-WUCG-784830-L	1253	78	48	30	5.42	56.19
R-WUCG-784830-R	1253	78	48	30	5.42	56.19

Code	Price	W (in)	Depth (in)	End (in)	Volume (ft <sup>3</sup> )	Weight (lb)
freestanding curved - continued						
R-WUCG-785424-L	1335	78	54	24	5.42	56.61
R-WUCG-785424-R	1335	78	54	24	5.42	56.61
R-WUCG-785430-L	1366	78	54	30	5.42	58.17
R-WUCG-785430-R	1366	78	54	30	5.42	58.17
R-WUCG-786024-L	1450	78	60	24	5.42	57.96
R-WUCG-786024-R	1450	78	60	24	5.42	57.96
R-WUCG-786030-L	1480	78	60	30	5.42	58.62
R-WUCG-786030-R	1480	78	60	30	5.42	58.62
R-WUCG-844824-L	1341	84	48	24	5.42	56.16
R-WUCG-844824-R	1341	84	48	24	5.42	56.16
R-WUCG-844830-L	1370	84	48	30	5.42	58.32
R-WUCG-844830-R	1370	84	48	30	5.42	58.32
R-WUCG-845424-L	1466	84	54	24	5.42	58.6
R-WUCG-845424-R	1466	84	54	24	5.42	58.6
R-WUCG-845430-L	1495	84	54	30	5.42	59.63
R-WUCG-845430-R	1495	84	54	30	5.42	59.63
R-WUCG-846024-L	1592	84	60	24	5.42	59.99
R-WUCG-846024-R	1592	84	60	24	5.42	59.99
R-WUCG-846030-L	1620	84	60	30	5.42	61.34
R-WUCG-846030-R	1620	84	60	30	5.42	61.34



Code	Price	W (in)	Depth (in)	End (in)	Volume (ft <sup>3</sup> )	Weight (lb)
surface - freestanding 90 degree						
R-WUCG-604824-L	938	60	48	24	5.42	46.03
R-WUCG-604824-R	938	60	48	24	5.42	46.03
R-WUCG-604830-L	963	60	48	30	5.42	48.13
R-WUCG-604830-R	963	60	48	30	5.42	48.13
R-WUCG-605424-L	1030	60	54	24	5.42	47.06
R-WUCG-605424-R	1030	60	54	24	5.42	47.06
R-WUCG-605430-L	1056	60	54	30	5.42	49.32
R-WUCG-605430-R	1056	60	54	30	5.42	49.32
R-WUCG-664824-L	1040	66	48	24	5.42	48.13
R-WUCG-664824-R	1040	66	48	24	5.42	48.13
R-WUCG-664830-L	1069	66	48	30	5.42	49.56
R-WUCG-664830-R	1069	66	48	30	5.42	49.56
R-WUCG-665424-L	1140	66	54	24	5.42	49.26
R-WUCG-665424-R	1140	66	54	24	5.42	49.26
R-WUCG-665430-L	1164	66	54	30	5.42	51.96
R-WUCG-665430-R	1164	66	54	30	5.42	51.96
R-WUCG-666024-L	1238	66	60	24	5.42	52.36
R-WUCG-666024-R	1238	66	60	24	5.42	52.36
R-WUCG-666030-L	1266	66	60	30	5.42	54.65
R-WUCG-666030-R	1266	66	60	30	5.42	54.65
R-WUCG-724824-L	1089	72	48	24	5.42	52.33
R-WUCG-724824-R	1089	72	48	24	5.42	52.33
R-WUCG-724830-L	1114	72	48	30	5.42	53.69
R-WUCG-724830-R	1114	72	48	30	5.42	53.69
R-WUCG-725424-L	1190	72	54	24	5.42	53.65
R-WUCG-725424-R	1190	72	54	24	5.42	53.65
R-WUCG-725430-L	1220	72	54	30	5.42	55.21
R-WUCG-725430-R	1220	72	54	30	5.42	55.21

Code	Price	W (in)	Depth (in)	End (in)	Volume (ft <sup>3</sup> )	Weight (lb)
freestanding 90 degree - continued						
R-WUCG-726024-L	1295	72	60	24	5.42	55.36
R-WUCG-726024-R	1295	72	60	24	5.42	55.36
R-WUCG-726030-L	1322	72	60	30	5.42	57.31
R-WUCG-726030-R	1322	72	60	30	5.42	57.31
R-WUCG-784824-L	1223	78	48	24	5.42	54.16
R-WUCG-784824-R	1223	78	48	24	5.42	54.16
R-WUCG-784830-L	1253	78	48	30	5.42	56.19
R-WUCG-784830-R	1253	78	48	30	5.42	56.19
R-WUCG-785424-L	1335	78	54	24	5.42	56.61
R-WUCG-785424-R	1335	78	54	24	5.42	56.61
R-WUCG-785430-L	1366	78	54	30	5.42	58.17
R-WUCG-785430-R	1366	78	54	30	5.42	58.17
R-WUCG-786024-L	1450	78	60	24	5.42	57.96
R-WUCG-786024-R	1450	78	60	24	5.42	57.96
R-WUCG-786030-L	1480	78	60	30	5.42	58.62
R-WUCG-786030-R	1480	78	60	30	5.42	58.62
R-WUCG-844824-L	1341	84	48	24	5.42	56.16
R-WUCG-844824-R	1341	84	48	24	5.42	56.16
R-WUCG-844830-L	1370	84	48	30	5.42	58.32
R-WUCG-844830-R	1370	84	48	30	5.42	58.32
R-WUCG-845424-L	1466	84	54	24	5.42	58.6
R-WUCG-845424-R	1466	84	54	24	5.42	58.6
R-WUCG-845430-L	1495	84	54	30	5.42	59.63
R-WUCG-845430-R	1495	84	54	30	5.42	59.63
R-WUCG-846024-L	1592	84	60	24	5.42	59.99
R-WUCG-846024-R	1592	84	60	24	5.42	59.99
R-WUCG-846030-L	1620	84	60	30	5.42	61.34
R-WUCG-846030-R	1620	84	60	30	5.42	61.34

Code	Price	W (in)	Depth (in)	End (in)	Volume (ft <sup>3</sup> )	Weight (lb)
integrated curved						
R-WUCG-584623-L	938	58	46	23	5.42	46
R-WUCG-584623-R	938	58	46	23	5.42	46
R-WUCG-584629-L	963	58	46	29	5.42	48.1
R-WUCG-584629-R	963	58	46	29	5.42	48.1
R-WUCG-585223-L	1030	58	52	23	5.42	47.03
R-WUCG-585223-R	1030	58	52	23	5.42	47.03
R-WUCG-585229-L	1056	58	52	29	5.42	49.3
R-WUCG-585229-R	1056	58	52	29	5.42	49.3
R-WUCG-644623-L	1040	64	46	23	5.42	48
R-WUCG-644623-R	1040	64	46	23	5.42	48
R-WUCG-644629-L	1069	64	46	29	5.42	48.92
R-WUCG-644629-R	1069	64	46	29	5.42	48.92
R-WUCG-645223-L	1140	64	52	23	5.42	49.23
R-WUCG-645223-R	1140	64	52	23	5.42	49.23
R-WUCG-645229-L	1164	64	52	29	5.42	51.93
R-WUCG-645229-R	1164	64	52	29	5.42	51.93
R-WUCG-645823-L	1238	64	58	23	5.42	52.33
R-WUCG-645823-R	1238	64	58	23	5.42	52.33
R-WUCG-645829-L	1266	64	58	29	5.42	54.62
R-WUCG-645829-R	1266	64	58	29	5.42	54.62
R-WUCG-704623-L	1089	70	46	23	5.42	52.3
R-WUCG-704623-R	1089	70	46	23	5.42	52.3
R-WUCG-704629-L	1114	70	46	29	5.42	53.66
R-WUCG-704629-R	1114	70	46	29	5.42	53.66
R-WUCG-705223-L	1190	70	52	23	5.42	53.62
R-WUCG-705223-R	1190	70	52	23	5.42	53.62
R-WUCG-705229-L	1220	70	52	29	5.42	55.18
R-WUCG-705229-R	1220	70	52	29	5.42	55.18

Code	Price	W (in)	Depth (in)	End (in)	Volume (ft <sup>3</sup> )	Weight (lb)
integrated curved - continued						
R-WUCG-705823-L	1295	70	58	23	5.42	55.33
R-WUCG-705823-R	1295	70	58	23	5.42	55.33
R-WUCG-705829-L	1322	70	58	29	5.42	57.28
R-WUCG-705829-R	1322	70	58	29	5.42	57.28
R-WUCG-764623-L	1223	76	46	23	5.42	54.13
R-WUCG-764623-R	1223	76	46	23	5.42	54.13
R-WUCG-764629-L	1253	76	46	29	5.42	56.16
R-WUCG-764629-R	1253	76	46	29	5.42	56.16
R-WUCG-765223-L	1335	76	52	23	5.42	56.58
R-WUCG-765223-R	1335	76	52	23	5.42	56.58
R-WUCG-765229-L	1366	76	52	29	5.42	57.14
R-WUCG-765229-R	1366	76	52	29	5.42	57.14
R-WUCG-765823-L	1450	76	58	23	5.42	57.93
R-WUCG-765823-R	1450	76	58	23	5.42	57.93
R-WUCG-765829-L	1480	76	58	29	5.42	58.59
R-WUCG-765829-R	1480	76	58	29	5.42	58.59
R-WUCG-824623-L	1341	82	46	23	5.42	56.13
R-WUCG-824623-R	1341	82	46	23	5.42	56.13
R-WUCG-824629-L	1370	82	46	29	5.42	58.28
R-WUCG-824629-R	1370	82	46	29	5.42	58.28
R-WUCG-825223-L	1466	82	52	23	5.42	58.57
R-WUCG-825223-R	1466	82	52	23	5.42	58.57
R-WUCG-825229-L	1495	82	52	29	5.42	59.6
R-WUCG-825229-R	1495	82	52	29	5.42	59.6
R-WUCG-825823-L	1592	82	58	23	5.42	59.96
R-WUCG-825823-R	1592	82	58	23	5.42	59.96
R-WUCG-825829-L	1620	82	58	29	5.42	61.31
R-WUCG-825829-R	1620	82	58	29	5.42	61.31

Code	Price	W (in)	Depth (in)	End (in)	Volume (ft <sup>3</sup> )	Weight (lb)
integrated 90 degree						
R-WUNG-584623-L	983	60	48	24	5.42	46.03
R-WUNG-584623-R	983	60	48	24	5.42	46.03
R-WUNG-585223-L	1079	60	48	30	5.42	48.13
R-WUNG-585223-R	1079	60	48	30	5.42	48.13
R-WUNG-585229-L	1109	60	54	24	5.42	47.06
R-WUNG-585229-R	1109	60	54	24	5.42	47.06
R-WUNG-644623-L	1091	60	54	30	5.42	49.32
R-WUNG-644623-R	1091	60	54	30	5.42	49.32
R-WUNG-645223-L	1196	66	48	24	5.42	48.13
R-WUNG-645223-R	1196	66	48	24	5.42	48.13
R-WUNG-645229-L	1223	66	48	30	5.42	49.56
R-WUNG-645229-R	1223	66	48	30	5.42	49.56
R-WUNG-645823-L	1298	66	54	24	5.42	49.26
R-WUNG-645823-R	1298	66	54	24	5.42	49.26
R-WUNG-645829-L	1328	66	54	30	5.42	51.96
R-WUNG-645829-R	1328	66	54	30	5.42	51.96
R-WUNG-704623-L	1142	66	60	24	5.42	52.36
R-WUNG-704623-R	1142	66	60	24	5.42	52.36
R-WUNG-705223-L	1247	66	60	30	5.42	54.65
R-WUNG-705223-R	1247	66	60	30	5.42	54.65
R-WUNG-705229-L	1279	72	48	24	5.42	52.33
R-WUNG-705229-R	1279	72	48	24	5.42	52.33
R-WUNG-705823-L	1357	72	48	30	5.42	53.69
R-WUNG-705823-R	1357	72	48	30	5.42	53.69
R-WUNG-705829-L	1387	72	54	24	5.42	53.65
R-WUNG-705829-R	1387	72	54	24	5.42	53.65
R-WUNG-764623-L	1284	72	54	30	5.42	55.21
R-WUNG-764623-R	1284	72	54	30	5.42	55.21

Code	Price	W (in)	Depth (in)	End (in)	Volume (ft <sup>3</sup> )	Weight (lb)
integrated 90 degree - continued						
R-WUNG-765223-L	1400	72	60	24	5.42	55.36
R-WUNG-765223-R	1400	72	60	24	5.42	55.36
R-WUNG-765229-L	1434	72	60	30	5.42	57.31
R-WUNG-765229-R	1434	72	60	30	5.42	57.31
R-WUNG-765823-L	1521	78	48	24	5.42	54.16
R-WUNG-765823-R	1521	78	48	24	5.42	54.16
R-WUNG-765829-L	1551	78	48	30	5.42	56.19
R-WUNG-765829-R	1551	78	48	30	5.42	56.19
R-WUNG-824623-L	1406	78	54	24	5.42	56.61
R-WUNG-824623-R	1406	78	54	24	5.42	56.61
R-WUNG-825223-L	1538	78	54	30	5.42	58.17
R-WUNG-825223-R	1538	78	54	30	5.42	58.17
R-WUNG-825229-L	1569	78	60	24	5.42	57.96
R-WUNG-825229-R	1569	78	60	24	5.42	57.96
R-WUNG-825823-L	1670	78	60	30	5.42	58.62
R-WUNG-825823-R	1670	78	60	30	5.42	58.62
R-WUNG-825829-L	1698	84	48	24	5.42	56.16
R-WUNG-825829-R	1698	84	48	24	5.42	56.16



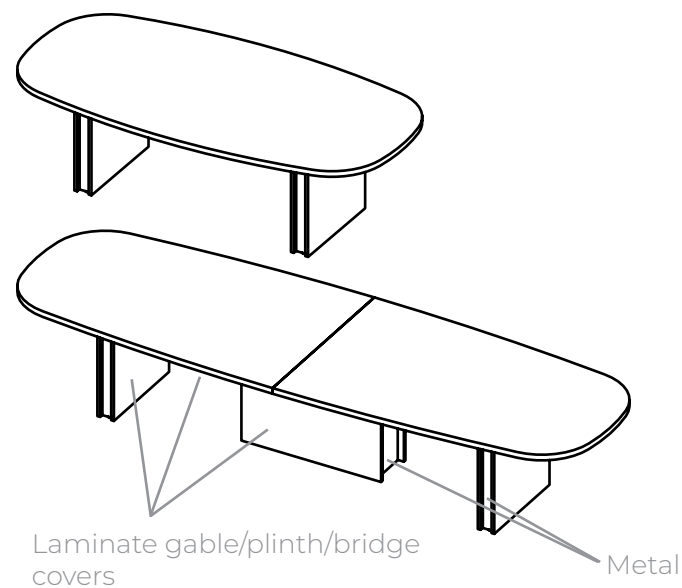
# Tables Pricebook May 2023 Norris Tables

## Norris tables

<a href="#">super ellipse without power and data</a>	24
<a href="#">super ellipse with power and data</a>	26
<a href="#">video without power and data</a>	28
<a href="#">video with power and data</a>	30
<a href="#">boat without power and data</a>	32
<a href="#">boat with power and data</a>	34
<a href="#">straight without power and data</a>	36
<a href="#">straight with power and data</a>	38

### Add-on Kits

Code	Price	Description
R-ESMU-A	123	USB ADAPTER (1EA DUAL USB PORTS WITH ADAPTER)
R-ESMU-K	799	USB KIT (4EA DUAL USB PORTS WITH HUB)



**What's Included:**

- Steel bridge under structure.
- 1.5" thick laminate top plinth + gable covers.
- Two metal gables with removable laminate covers for wire management.
- Under bridge cover conceals all wires.
- Sizes 108" and 240" come with a horizontal plinth with fixed laminate covers + removable metal insert.

**How to Specify:**

- Laminate comes with automatically matching vinyl trim unless otherwise specified.
- Metal accent color.
- Plinth laminates and gable covers can match or contrast the chosen top color.
- Metal Gables, bridge, and plinth side covers are painted in matching powder paint color.

**Options:**

Width	72", 84", 96", 108", 120", 132", 144", 156", 168", 180", 192", 204", 216", 228", 240"
Depth	36", 42", 48", 60"
Worksurface Laminate Color	
Gable + Plinth	Laminate Color
Metal Accent Color	

Code	Price	Height (in)	Width (in)	Depth (in)	Volume (ft <sup>3</sup> )	Weight (lb)
R-BE1N-7236	2560	29.5	72	36	5.04	72.58
R-BE1N-8436	2741	29.5	84	36	5.88	84.67
R-BE1N-9636	2881	29.5	96	36	6.72	96.77
R-BE1N-7242	2846	29.5	72	42	5.88	84.67
R-BE1N-8442	2989	29.5	84	42	6.86	98.78
R-BE1N-9642	3135	29.5	96	42	7.84	112.9
R-BE1N-10842	3287	29.5	108	42	8.82	127.01
R-BE1N-12042	3440	29.5	120	42	9.8	141.12
R-BE1N-8448	3171	29.5	84	48	7.84	112.9
R-BE1N-9648	3280	29.5	96	48	8.96	129.02
R-BE1N-10848	4444	29.5	108	48	10.08	145.15
R-BE1N-12048	4641	29.5	120	48	11.2	161.28
R-BE1N-13248	5113	29.5	132	48	12.32	177.41
R-BE1N-14448	5324	29.5	144	48	13.44	193.54
R-BE1N-15648	5532	29.5	156	48	14.56	209.66
R-BE1N-16848	5991	29.5	168	48	15.68	225.79
R-BE1N-18048	6074	29.5	180	48	16.8	241.92
R-BE1N-19248	6155	29.5	192	48	17.92	258.05
R-BE1N-20448	7709	29.5	204	48	19.04	274.18
R-BE1N-21648	7930	29.5	216	48	20.16	290.3
R-BE1N-22848	8148	29.5	228	48	21.28	306.43
R-BE1N-24048	8602	29.5	240	48	22.4	322.56
R-BE1N-10860	5341	29.5	108	60	12.6	181.44
R-BE1N-12060	5577	29.5	120	60	14	201.6
R-BE1N-13260	5817	29.5	132	60	15.4	221.76
R-BE1N-14460	6061	29.5	144	60	16.8	241.92
R-BE1N-15660	6303	29.5	156	60	18.2	262.08
R-BE1N-16860	6538	29.5	168	60	19.6	282.24
R-BE1N-18060	6784	29.5	180	60	21	302.4
R-BE1N-19260	7020	29.5	192	60	22.4	322.56
R-BE1N-20460	8686	29.5	204	60	23.8	342.72
R-BE1N-21660	8938	29.5	216	60	25.2	362.88
R-BE1N-22860	9184	29.5	228	60	26.6	383.04
R-BE1N-24060	9426	29.5	240	60	28	403.2



**What's Included:**

- Steel bridge under structure.
- 1.5" thick laminate top plinth + gable covers.
- Two metal gables with removable laminate covers for wire management.
- Under bridge cover conceals all wires.
- Sizes 108" and 240" come with a horizontal plinth with fixed laminate covers + removable metal insert.

**How to Specify:**

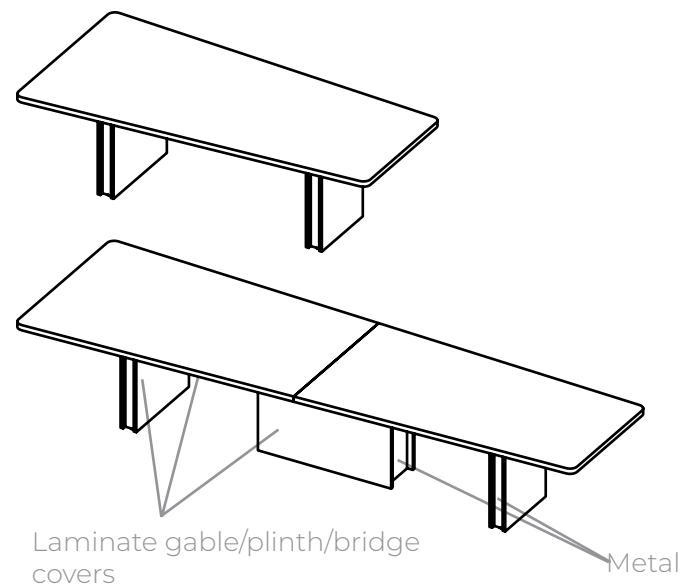
- Laminate comes with automatically matching vinyl trim unless otherwise specified.
- Metal accent color.
- Plinth laminates and gable covers can match or contrast the chosen top color.
- Metal Gables, bridge, and plinth side covers are painted in matching powder paint color.

**Options:**

Width	72", 84", 96", 108", 120", 132", 144", 156", 168", 180", 192", 204", 216", 228", 240"
Depth	36", 42", 48", 60"
Worksurface Laminate Color	
Gable + Plinth Laminate Color	
Metal Accent Color	

Code	Price	Height (in)	Width (in)	Depth (in)	Volume (ft <sup>3</sup> )	Weight (lb)
R-BE1E-7236	3826	29.5	72	36	5.04	72.58
R-BE1E-8436	4008	29.5	84	36	5.88	84.67
R-BE1E-9636	4148	29.5	96	36	6.72	96.77
R-BE1E-7242	4113	29.5	72	42	5.88	84.67
R-BE1E-8442	4256	29.5	84	42	6.86	98.78
R-BE1E-9642	4403	29.5	96	42	7.84	112.9
R-BE1E-10842	4553	29.5	108	42	8.82	127.01
R-BE1E-12042	4708	29.5	120	42	9.8	141.12
R-BE1E-8448	4439	29.5	84	48	7.84	112.9
R-BE1E-9648	4549	29.5	96	48	8.96	129.02
R-BE1E-10848	6978	29.5	108	48	10.08	145.15
R-BE1E-12048	7175	29.5	120	48	11.2	161.28
R-BE1E-13248	7789	29.5	132	48	12.32	177.41
R-BE1E-14448	8001	29.5	144	48	13.44	193.54
R-BE1E-15648	8208	29.5	156	48	14.56	209.66
R-BE1E-16848	8668	29.5	168	48	15.68	225.79
R-BE1E-18048	8752	29.5	180	48	16.8	241.92
R-BE1E-19248	8832	29.5	192	48	17.92	258.05
R-BE1E-20448	11587	29.5	204	48	19.04	274.18
R-BE1E-21648	11716	29.5	216	48	20.16	290.3
R-BE1E-22848	11988	29.5	228	48	21.28	306.43
R-BE1E-24048	12500	29.5	240	48	22.4	322.56
R-BE1E-10860	8019	29.5	108	60	12.6	181.44
R-BE1E-12060	8256	29.5	120	60	14	201.6
R-BE1E-13260	8494	29.5	132	60	15.4	221.76
R-BE1E-14460	8740	29.5	144	60	16.8	241.92
R-BE1E-15660	8979	29.5	156	60	18.2	262.08
R-BE1E-16860	9217	29.5	168	60	19.6	282.24
R-BE1E-18060	9459	29.5	180	60	21	302.4
R-BE1E-19260	9700	29.5	192	60	22.4	322.56
R-BE1E-20460	12597	29.5	204	60	23.8	342.72
R-BE1E-21660	12753	29.5	216	60	25.2	362.88
R-BE1E-22860	13055	29.5	228	60	26.6	383.04
R-BE1E-24060	13358	29.5	240	60	28	403.2





**What's Included:**

- Steel bridge under structure.
- 1.5" thick laminate top plinth + gable covers.
- Two metal gables with removable laminate covers for wire management.
- Under bridge cover conceals all wires.
- Sizes 108" and 240" come with a horizontal plinth with fixed laminate covers + removable metal insert.

**How to Specify:**

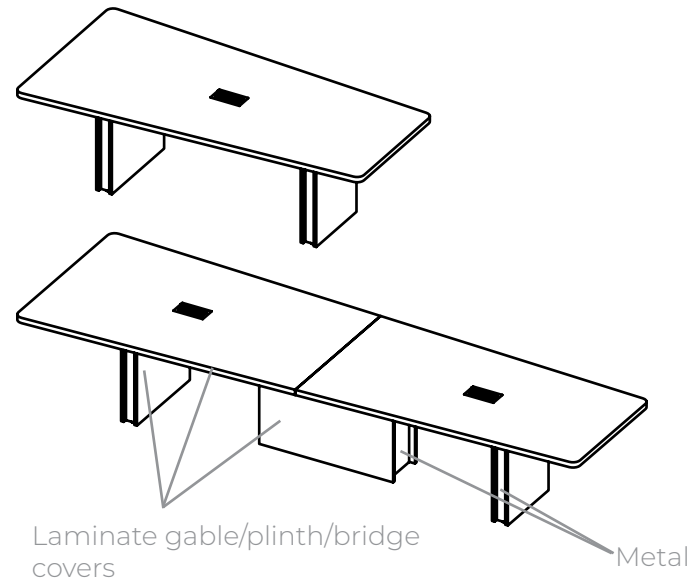
- Laminate comes with automatically matching vinyl trim unless otherwise specified.
- Metal accent color.
- Plinth laminates and gable covers can match or contrast the chosen top color.
- Metal Gables, bridge, and plinth side covers are painted in matching powder paint color.

**Options:**

Width	72", 84", 96", 108", 120", 132", 144", 156", 168", 180", 192", 204", 216", 228", 240"
Depth	36", 42", 48", 60"
Worksurface Laminate Color	
Gable + Plinth Laminate Color	
Metal Accent Color	

Code	Price	Height (in)	Width (in)	Depth (in)	Volume (ft <sup>3</sup> )	Weight (lb)
R-BV1N-7236	2560	29.5	72	36	5.04	72.58
R-BV1N-8436	2741	29.5	84	36	5.88	84.67
R-BV1N-9636	2881	29.5	96	36	6.72	96.77
R-BV1N-7242	2846	29.5	72	42	5.88	84.67
R-BV1N-8442	2989	29.5	84	42	6.86	98.78
R-BV1N-9642	3135	29.5	96	42	7.84	112.9
R-BV1N-10842	3287	29.5	108	42	8.82	127.01
R-BV1N-12042	3440	29.5	120	42	9.8	141.12
R-BV1N-8448	3171	29.5	84	48	7.84	112.9
R-BV1N-9648	3280	29.5	96	48	8.96	129.02
R-BV1N-10848	4444	29.5	108	48	10.08	145.15
R-BV1N-12048	4641	29.5	120	48	11.2	161.28
R-BV1N-13248	5113	29.5	132	48	12.32	177.41
R-BV1N-14448	5324	29.5	144	48	13.44	193.54
R-BV1N-15648	5532	29.5	156	48	14.56	209.66
R-BV1N-16848	5991	29.5	168	48	15.68	225.79
R-BV1N-18048	6074	29.5	180	48	16.8	241.92
R-BV1N-19248	6155	29.5	192	48	17.92	258.05
R-BV1N-20448	7709	29.5	204	48	19.04	274.18
R-BV1N-21648	7930	29.5	216	48	20.16	290.3
R-BV1N-22848	8148	29.5	228	48	21.28	306.43
R-BV1N-24048	8602	29.5	240	48	22.4	322.56
R-BV1N-10860	5341	29.5	108	60	12.6	181.44
R-BV1N-12060	5577	29.5	120	60	14	201.6
R-BV1N-13260	5817	29.5	132	60	15.4	221.76
R-BV1N-14460	6061	29.5	144	60	16.8	241.92
R-BV1N-15660	6303	29.5	156	60	18.2	262.08
R-BV1N-16860	6538	29.5	168	60	19.6	282.24
R-BV1N-18060	6784	29.5	180	60	21	302.4
R-BV1N-19260	7020	29.5	192	60	22.4	322.56
R-BV1N-20460	8686	29.5	204	60	23.8	342.72
R-BV1N-21660	8938	29.5	216	60	25.2	362.88
R-BV1N-22860	9184	29.5	228	60	26.6	383.04
R-BV1N-24060	9426	29.5	240	60	28	403.2





**What's Included:**

- Steel bridge under structure.
- 1.5" thick laminate top plinth + gable covers.
- Two metal gables with removable laminate covers for wire management.
- Under bridge cover conceals all wires.
- Sizes 108" and 240" come with a horizontal plinth with fixed laminate covers + removable metal insert.

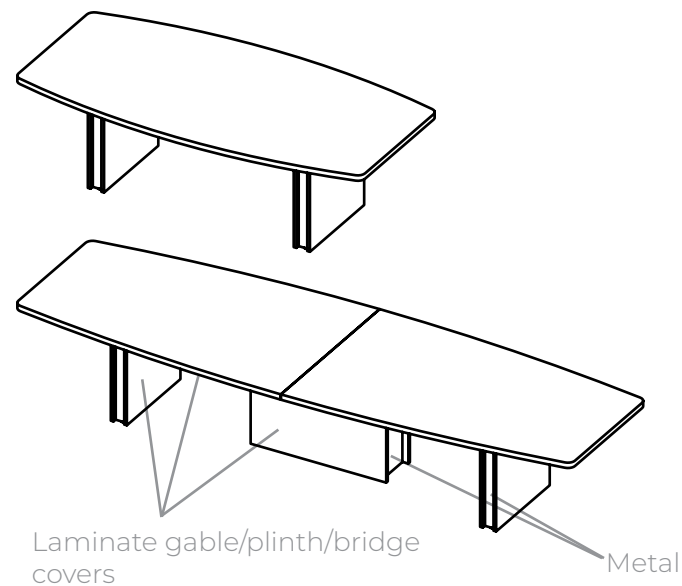
**How to Specify:**

- Laminate comes with automatically matching vinyl trim unless otherwise specified.
- Metal accent color.
- Plinth laminates and gable covers can match or contrast the chosen top color.
- Metal Gables, bridge, and plinth side covers are painted in matching powder paint color.

**Options:**

Width	72", 84", 96", 108", 120", 132", 144", 156", 168", 180", 192", 204", 216", 228", 240"
Depth	36", 42", 48", 60"
Worksurface Laminate Color	
Gable + Plinth Laminate Color	
Metal Accent Color	

Code	Price	Height (in)	Width (in)	Depth (in)	Volume (ft <sup>3</sup> )	Weight (lb)
R-BV1E-7236	3826	29.5	72	36	5.04	72.58
R-BV1E-8436	4008	29.5	84	36	5.88	84.67
R-BV1E-9636	4148	29.5	96	36	6.72	96.77
R-BV1E-7242	4113	29.5	72	42	5.88	84.67
R-BV1E-8442	4256	29.5	84	42	6.86	98.78
R-BV1E-9642	4403	29.5	96	42	7.84	112.9
R-BV1E-10842	4553	29.5	108	42	8.82	127.01
R-BV1E-12042	4708	29.5	120	42	9.8	141.12
R-BV1E-8448	4439	29.5	84	48	7.84	112.9
R-BV1E-9648	4549	29.5	96	48	8.96	129.02
R-BV1E-10848	6978	29.5	108	48	10.08	145.15
R-BV1E-12048	7175	29.5	120	48	11.2	161.28
R-BV1E-13248	7789	29.5	132	48	12.32	177.41
R-BV1E-14448	8001	29.5	144	48	13.44	193.54
R-BV1E-15648	8208	29.5	156	48	14.56	209.66
R-BV1E-16848	8668	29.5	168	48	15.68	225.79
R-BV1E-18048	8752	29.5	180	48	16.8	241.92
R-BV1E-19248	8832	29.5	192	48	17.92	258.05
R-BV1E-20448	11587	29.5	204	48	19.04	274.18
R-BV1E-21648	11716	29.5	216	48	20.16	290.3
R-BV1E-22848	11988	29.5	228	48	21.28	306.43
R-BV1E-24048	12500	29.5	240	48	22.4	322.56
R-BV1E-10860	8019	29.5	108	60	12.6	181.44
R-BV1E-12060	8256	29.5	120	60	14	201.6
R-BV1E-13260	8494	29.5	132	60	15.4	221.76
R-BV1E-14460	8740	29.5	144	60	16.8	241.92
R-BV1E-15660	8979	29.5	156	60	18.2	262.08
R-BV1E-16860	9217	29.5	168	60	19.6	282.24
R-BV1E-18060	9459	29.5	180	60	21	302.4
R-BV1E-19260	9700	29.5	192	60	22.4	322.56
R-BV1E-20460	12597	29.5	204	60	23.8	342.72
R-BV1E-21660	12753	29.5	216	60	25.2	362.88
R-BV1E-22860	13055	29.5	228	60	26.6	383.04
R-BV1E-24060	13358	29.5	240	60	28	403.2



**What's Included:**

- Steel bridge under structure.
- 1.5" thick laminate top plinth + gable covers.
- Two metal gables with removable laminate covers for wire management.
- Under bridge cover conceals all wires.
- Sizes 108" and 240" come with a horizontal plinth with fixed laminate covers + removable metal insert.

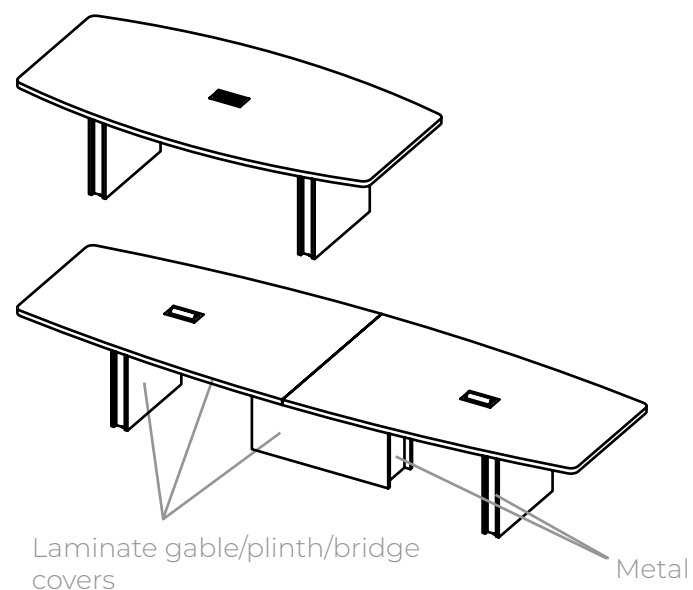
**How to Specify:**

- Laminate comes with automatically matching vinyl trim unless otherwise specified.
- Metal accent color.
- Plinth laminates and gable covers can match or contrast the chosen top color.
- Metal Gables, bridge, and plinth side covers are painted in matching powder paint color.

**Options:**

Width	72", 84", 96", 108", 120", 132", 144", 156", 168", 180", 192", 204", 216", 228", 240"
Depth	36", 42", 48", 60"
Worksurface Laminate Color	
Gable + Plinth Laminate Color	
Metal Accent Color	

Code	Price	Height (in)	Width (in)	Depth (in)	Volume (ft <sup>3</sup> )	Weight (lb)
R-BB1N-7236	2560	29.5	72	36	5.04	72.58
R-BB1N-8436	2741	29.5	84	36	5.88	84.67
R-BB1N-9636	2881	29.5	96	36	6.72	96.77
R-BB1N-7242	2846	29.5	72	42	5.88	84.67
R-BB1N-8442	2989	29.5	84	42	6.86	98.78
R-BB1N-9642	3135	29.5	96	42	7.84	112.9
R-BB1N-10842	3287	29.5	108	42	8.82	127.01
R-BB1N-12042	3440	29.5	120	42	9.8	141.12
R-BB1N-8448	3171	29.5	84	48	7.84	112.9
R-BB1N-9648	3280	29.5	96	48	8.96	129.02
R-BB1N-10848	4444	29.5	108	48	10.08	145.15
R-BB1N-12048	4641	29.5	120	48	11.2	161.28
R-BB1N-13248	5113	29.5	132	48	12.32	177.41
R-BB1N-14448	5324	29.5	144	48	13.44	193.54
R-BB1N-15648	5532	29.5	156	48	14.56	209.66
R-BB1N-16848	5991	29.5	168	48	15.68	225.79
R-BB1N-18048	6074	29.5	180	48	16.8	241.92
R-BB1N-19248	6155	29.5	192	48	17.92	258.05
R-BB1N-20448	7709	29.5	204	48	19.04	274.18
R-BB1N-21648	7930	29.5	216	48	20.16	290.3
R-BB1N-22848	8148	29.5	228	48	21.28	306.43
R-BB1N-24048	8602	29.5	240	48	22.4	322.56
R-BB1N-10860	5341	29.5	108	60	12.6	181.44
R-BB1N-12060	5577	29.5	120	60	14	201.6
R-BB1N-13260	5817	29.5	132	60	15.4	221.76
R-BB1N-14460	6061	29.5	144	60	16.8	241.92
R-BB1N-15660	6303	29.5	156	60	18.2	262.08
R-BB1N-16860	6538	29.5	168	60	19.6	282.24
R-BB1N-18060	6784	29.5	180	60	21	302.4
R-BB1N-19260	7020	29.5	192	60	22.4	322.56
R-BB1N-20460	8686	29.5	204	60	23.8	342.72
R-BB1N-21660	8938	29.5	216	60	25.2	362.88
R-BB1N-22860	9184	29.5	228	60	26.6	383.04
R-BB1N-24060	9426	29.5	240	60	28	403.2



**What's Included:**

- Steel bridge under structure.
- 1.5" thick laminate top plinth + gable covers.
- Two metal gables with removable laminate covers for wire management.
- Under bridge cover conceals all wires.
- Sizes 108" and 240" come with a horizontal plinth with fixed laminate covers + removable metal insert.

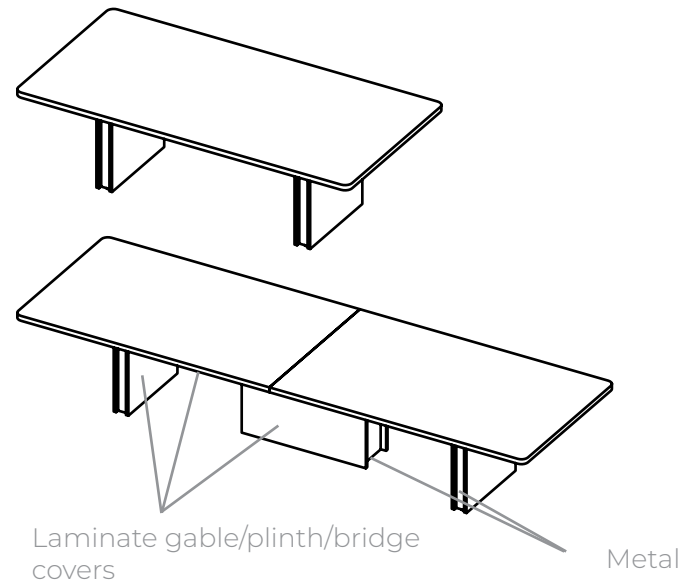
**How to Specify:**

- Laminate comes with automatically matching vinyl trim unless otherwise specified.
- Metal accent color.
- Plinth laminates and gable covers can match or contrast the chosen top color.
- Metal Gables, bridge, and plinth side covers are painted in matching powder paint color.

**Options:**

Width	72", 84", 96", 108", 120", 132", 144", 156", 168", 180", 192", 204", 216", 228", 240"
Depth	36", 42", 48", 60"
Worksurface Laminate Color	
Gable + Plinth Laminate Color	
Metal Accent Color	

Code	Price	Height (in)	Width (in)	Depth (in)	Volume (ft <sup>3</sup> )	Weight (lb)
R-BB1E-7236	3826	29.5	72	36	5.04	72.58
R-BB1E-8436	4008	29.5	84	36	5.88	84.67
R-BB1E-9636	4148	29.5	96	36	6.72	96.77
R-BB1E-7242	4113	29.5	72	42	5.88	84.67
R-BB1E-8442	4256	29.5	84	42	6.86	98.78
R-BB1E-9642	4403	29.5	96	42	7.84	112.9
R-BB1E-10842	4553	29.5	108	42	8.82	127.01
R-BB1E-12042	4708	29.5	120	42	9.8	141.12
R-BB1E-8448	4439	29.5	84	48	7.84	112.9
R-BB1E-9648	4549	29.5	96	48	8.96	129.02
R-BB1E-10848	6978	29.5	108	48	10.08	145.15
R-BB1E-12048	7175	29.5	120	48	11.2	161.28
R-BB1E-13248	7789	29.5	132	48	12.32	177.41
R-BB1E-14448	8001	29.5	144	48	13.44	193.54
R-BB1E-15648	8208	29.5	156	48	14.56	209.66
R-BB1E-16848	8668	29.5	168	48	15.68	225.79
R-BB1E-18048	8752	29.5	180	48	16.8	241.92
R-BB1E-19248	8832	29.5	192	48	17.92	258.05
R-BB1E-20448	11587	29.5	204	48	19.04	274.18
R-BB1E-21648	11716	29.5	216	48	20.16	290.3
R-BB1E-22848	11988	29.5	228	48	21.28	306.43
R-BB1E-24048	12500	29.5	240	48	22.4	322.56
R-BB1E-10860	8019	29.5	108	60	12.6	181.44
R-BB1E-12060	8256	29.5	120	60	14	201.6
R-BB1E-13260	8494	29.5	132	60	15.4	221.76
R-BB1E-14460	8740	29.5	144	60	16.8	241.92
R-BB1E-15660	8979	29.5	156	60	18.2	262.08
R-BB1E-16860	9217	29.5	168	60	19.6	282.24
R-BB1E-18060	9459	29.5	180	60	21	302.4
R-BB1E-19260	9700	29.5	192	60	22.4	322.56
R-BB1E-20460	12597	29.5	204	60	23.8	342.72
R-BB1E-21660	12753	29.5	216	60	25.2	362.88
R-BB1E-22860	13055	29.5	228	60	26.6	383.04
R-BB1E-24060	13358	29.5	240	60	28	403.2



**What's Included:**

- Steel bridge under structure.
- 1.5" thick laminate top plinth + gable covers.
- Two metal gables with removable laminate covers for wire management.
- Under bridge cover conceals all wires.
- Sizes 108" and 240" come with a horizontal plinth with fixed laminate covers + removable metal insert.

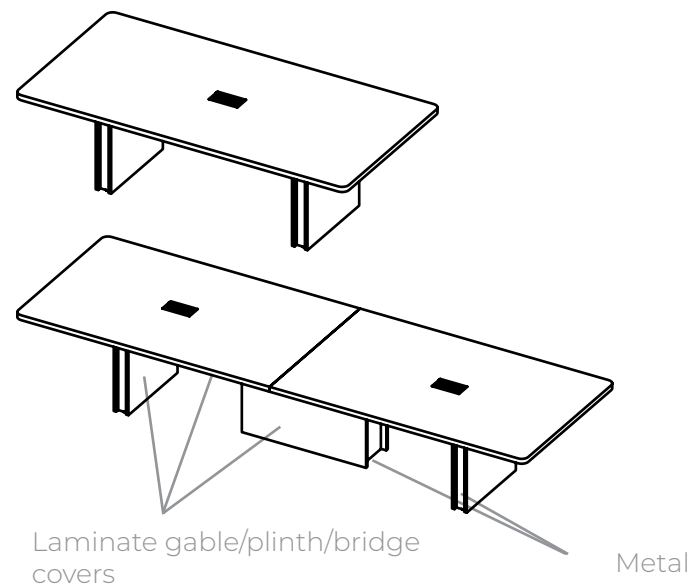
**How to Specify:**

- Laminate comes with automatically matching vinyl trim unless otherwise specified.
- Metal accent color.
- Plinth laminates and gable covers can match or contrast the chosen top color.
- Metal Gables, bridge, and plinth side covers are painted in matching powder paint color.

**Options:**

Width	72", 84", 96", 108", 120", 132", 144", 156", 168", 180", 192", 204", 216", 228", 240"
Depth	36", 42", 48", 60"
Worksurface Laminate Color	
Gable + Plinth Laminate Color	
Metal Accent Color	

Code	Price	Height (in)	Width (in)	Depth (in)	Volume (ft <sup>3</sup> )	Weight (lb)
R-BS1N-7236	2560	29.5	72	36	5.04	72.58
R-BS1N-8436	2741	29.5	84	36	5.88	84.67
R-BS1N-9636	2881	29.5	96	36	6.72	96.77
R-BS1N-7242	2846	29.5	72	42	5.88	84.67
R-BS1N-8442	2989	29.5	84	42	6.86	98.78
R-BS1N-9642	3135	29.5	96	42	7.84	112.9
R-BS1N-10842	3287	29.5	108	42	8.82	127.01
R-BS1N-12042	3440	29.5	120	42	9.8	141.12
R-BS1N-8448	3171	29.5	84	48	7.84	112.9
R-BS1N-9648	3280	29.5	96	48	8.96	129.02
R-BS1N-10848	4444	29.5	108	48	10.08	145.15
R-BS1N-12048	4641	29.5	120	48	11.2	161.28
R-BS1N-13248	5113	29.5	132	48	12.32	177.41
R-BS1N-14448	5324	29.5	144	48	13.44	193.54
R-BS1N-15648	5532	29.5	156	48	14.56	209.66
R-BS1N-16848	5991	29.5	168	48	15.68	225.79
R-BS1N-18048	6074	29.5	180	48	16.8	241.92
R-BS1N-19248	6155	29.5	192	48	17.92	258.05
R-BS1N-20448	7709	29.5	204	48	19.04	274.18
R-BS1N-21648	7930	29.5	216	48	20.16	290.3
R-BS1N-22848	8148	29.5	228	48	21.28	306.43
R-BS1N-24048	8602	29.5	240	48	22.4	322.56
R-BS1N-10860	5341	29.5	108	60	12.6	181.44
R-BS1N-12060	5577	29.5	120	60	14	201.6
R-BS1N-13260	5817	29.5	132	60	15.4	221.76
R-BS1N-14460	6061	29.5	144	60	16.8	241.92
R-BS1N-15660	6303	29.5	156	60	18.2	262.08
R-BS1N-16860	6538	29.5	168	60	19.6	282.24
R-BS1N-18060	6784	29.5	180	60	21	302.4
R-BS1N-19260	7020	29.5	192	60	22.4	322.56
R-BS1N-20460	8686	29.5	204	60	23.8	342.72
R-BS1N-21660	8938	29.5	216	60	25.2	362.88
R-BS1N-22860	9184	29.5	228	60	26.6	383.04
R-BS1N-24060	9426	29.5	240	60	28	403.2



**What's Included:**

- Steel bridge under structure.
- 1.5" thick laminate top plinth + gable covers.
- Two metal gables with removable laminate covers for wire management.
- Under bridge cover conceals all wires.
- Sizes 108" and 240" come with a horizontal plinth with fixed laminate covers + removable metal insert.

**How to Specify:**

- Laminate comes with automatically matching vinyl trim unless otherwise specified.
- Metal accent color.
- Plinth laminates and gable covers can match or contrast the chosen top color.
- Metal Gables, bridge, and plinth side covers are painted in matching powder paint color.

**Options:**

Width	72", 84", 96", 108", 120", 132", 144", 156", 168", 180", 192", 204", 216", 228", 240"
Depth	36", 42", 48", 60"
Worksurface Laminate Color	
Gable + Plinth Laminate Color	
Metal Accent Color	

Code	Price	Height (in)	Width (in)	Depth (in)	Volume (ft <sup>3</sup> )	Weight (lb)
R-BS1E-7236	3826	29.5	72	36	5.04	72.58
R-BS1E-8436	4008	29.5	84	36	5.88	84.67
R-BS1E-9636	4148	29.5	96	36	6.72	96.77
R-BS1E-7242	4113	29.5	72	42	5.88	84.67
R-BS1E-8442	4256	29.5	84	42	6.86	98.78
R-BS1E-9642	4403	29.5	96	42	7.84	112.9
R-BS1E-10842	4553	29.5	108	42	8.82	127.01
R-BS1E-12042	4708	29.5	120	42	9.8	141.12
R-BS1E-8448	4439	29.5	84	48	7.84	112.9
R-BS1E-9648	4549	29.5	96	48	8.96	129.02
R-BS1E-10848	6978	29.5	108	48	10.08	145.15
R-BS1E-12048	7175	29.5	120	48	11.2	161.28
R-BS1E-13248	7789	29.5	132	48	12.32	177.41
R-BS1E-14448	8001	29.5	144	48	13.44	193.54
R-BS1E-15648	8208	29.5	156	48	14.56	209.66
R-BS1E-16848	8668	29.5	168	48	15.68	225.79
R-BS1E-18048	8752	29.5	180	48	16.8	241.92
R-BS1E-19248	8832	29.5	192	48	17.92	258.05
R-BS1E-20448	11587	29.5	204	48	19.04	274.18
R-BS1E-21648	11716	29.5	216	48	20.16	290.3
R-BS1E-22848	11988	29.5	228	48	21.28	306.43
R-BS1E-24048	12500	29.5	240	48	22.4	322.56
R-BS1E-10860	8019	29.5	108	60	12.6	181.44
R-BS1E-12060	8256	29.5	120	60	14	201.6
R-BS1E-13260	8494	29.5	132	60	15.4	221.76
R-BS1E-14460	8740	29.5	144	60	16.8	241.92
R-BS1E-15660	8979	29.5	156	60	18.2	262.08
R-BS1E-16860	9217	29.5	168	60	19.6	282.24
R-BS1E-18060	9459	29.5	180	60	21	302.4
R-BS1E-19260	9700	29.5	192	60	22.4	322.56
R-BS1E-20460	12597	29.5	204	60	23.8	342.72
R-BS1E-21660	12753	29.5	216	60	25.2	362.88
R-BS1E-22860	13055	29.5	228	60	26.6	383.04
R-BS1E-24060	13358	29.5	240	60	28	403.2





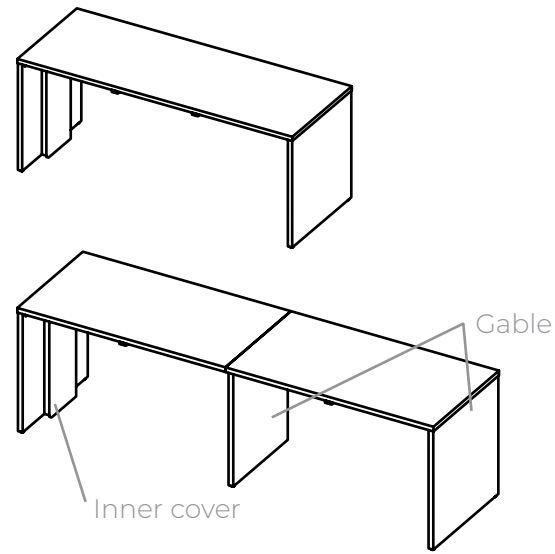
Tables Pricebook  
May 2023  
**Kip Tables**

Kip tables

<a href="#">community table without power and data</a>	42
<a href="#">community table with power and data</a>	44

**Add-on Kits**

Code	Price	Description
V-ESMU-A	169	USB ADAPTER (1EA USB A & C PORTS WITH ADAPTER)
R-ESMU-K	799	USB KIT (4EA DUAL USB PORTS WITH HUB)



**What's Included:**

- 1.5" laminate top & gables.
- Aluminum bridge under structure.

**How to Specify:**

- Gables and tops are to be selected from 1.5" laminate selection.
- Inner covers November match the tops and gables or can be selected from a contrasting finish.
- All metal components have an unified finish.
- Laminates surface will automatically come with matching configured trim unless otherwise specified.

**Notes:**

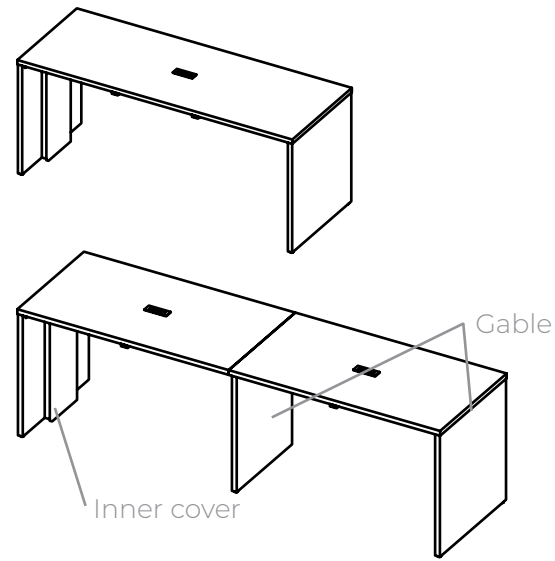
- Sizes between 60"-96" come as a one-piece top.
- Sizes between 108"-144" come as a two-piece top.
- Tables longer than 96" come with a mid-gable.

**Options:**

Width	60", 72", 84", 96", 108", 120", 144"
Depth	30", 36", 42"
Outershell	Laminate Color
Inner Cover	Laminate Color
Metal Accent	Color

Code	Price	Height (in)	Width (in)	Depth (in)	Volume (ft <sup>3</sup> )	Weight (lb)
R-PT2N-6030	5344	42	60	30	5	72
R-PT2N-7230	5424	42	72	30	6	86.4
R-PT2N-8430	5465	42	84	30	7	100.8
R-PT2N-9630	5545	42	96	30	8	115.2
R-PT2N-6036	5346	42	60	36	6	86.4
R-PT2N-7236	5427	42	72	36	7.2	103.68
R-PT2N-8436	5467	42	84	36	8.4	120.96
R-PT2N-9636	5548	42	96	36	9.6	138.24
R-PT2N-10836	8177	42	108	36	10.8	155.52
R-PT2N-12036	8264	42	120	36	12	172.8
R-PT2N-13236	8349	42	132	36	13.2	190.08
R-PT2N-14436	8435	42	144	36	14.4	207.36
R-PT2N-7242	5430	42	72	42	8.4	120.96
R-PT2N-8442	5469	42	84	42	9.8	141.12
R-PT2N-9642	5551	42	96	42	11.2	161.28
R-PT2N-10842	8183	42	108	42	12.6	181.44
R-PT2N-12042	8271	42	120	42	14	201.6
R-PT2N-13242	8353	42	132	42	15.4	221.76
R-PT2N-14442	8440	42	144	42	16.8	241.92





**What's Included:**

- 1.5" laminate top & gables.
- Aluminum bridge under structure.

**How to Specify:**

- Gables and tops are to be selected from 1.5" laminate selection.
- Inner covers November match the tops and gables or can be selected from a contrasting finish.
- All metal components have an unified finish.
- Laminates surface will automatically come with matching configured trim unless otherwise specified.

**Notes:**

- Sizes between 60"-96" come as a one-piece top.
- Sizes between 108"-144" come as a two-piece top.
- Tables longer than 96" come with a mid-gable.
- Tops between 60"-96" come with one flush surface power unit consisting of 2 power & 2 USB.
- Tops from 108"-144" come with two power units, consisting of 2 power & 2 USB.
- When choosing optional side-mounted USB:
  - Tables without mid-legs have 4 USB power modules.
  - Up to 4 side mount USB units can be connected to one hub.

**Options:**

Width	60", 72", 84", 96", 108", 120", 144"
Depth	30", 36", 42"
Outershell	Laminate Color
Inner Cover	Laminate Color
Metal Accent	Color

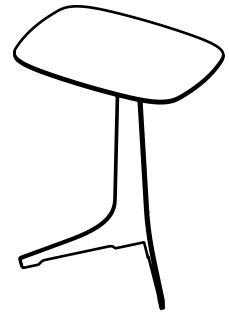
Code	Price	Height (in)	Width (in)	Depth (in)	Volume (ft <sup>3</sup> )	Weight (lb)
R-PT2P-6030	6122	42	60	30	5	72
R-PT2P-7230	6208	42	72	30	6	86.4
R-PT2P-8430	6295	42	84	30	7	100.8
R-PT2P-9630	6384	42	96	30	8	115.2
R-PT2P-6036	6125	42	60	36	6	86.4
R-PT2P-7236	6212	42	72	36	7.2	103.68
R-PT2P-8436	6301	42	84	36	8.4	120.96
R-PT2P-9636	6387	42	96	36	9.6	138.24
R-PT2P-10836	9529	42	108	36	10.8	155.52
R-PT2P-12036	9616	42	120	36	12	172.8
R-PT2P-13236	9703	42	132	36	13.2	190.08
R-PT2P-14436	9789	42	144	36	14.4	207.36
R-PT2P-7242	6216	42	72	42	8.4	120.96
R-PT2P-8442	6303	42	84	42	9.8	141.12
R-PT2P-9642	7454	42	96	42	11.2	161.28
R-PT2P-10842	9533	42	108	42	12.6	181.44
R-PT2P-12042	9620	42	120	42	14	201.6
R-PT2P-13242	9706	42	132	42	15.4	221.76
R-PT2P-14442	9791	42	144	42	16.8	241.92



Tables Pricebook  
May 2023  
**Koko Tables**

Koko tables

<u>rectangular table</u>	60
<u>round table</u>	61



**What's Included:**

Aluminum rectangular laptop table.

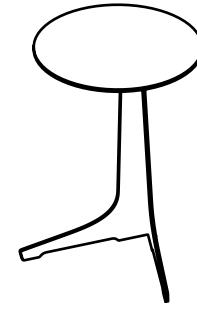
**How to Specify:**

Metal paint color.

**Options:**

Metal color

Code	Price	Height (in)	Width (in)	Depth (in)	Volume (ft <sup>3</sup> )	Weight (lb)
R-PTR-242014	1054	24	20	14	4	26.88



**What's Included:**

Aluminum round laptop table.

**How to Specify:**

Metal paint color.

**Options:**

Metal Color

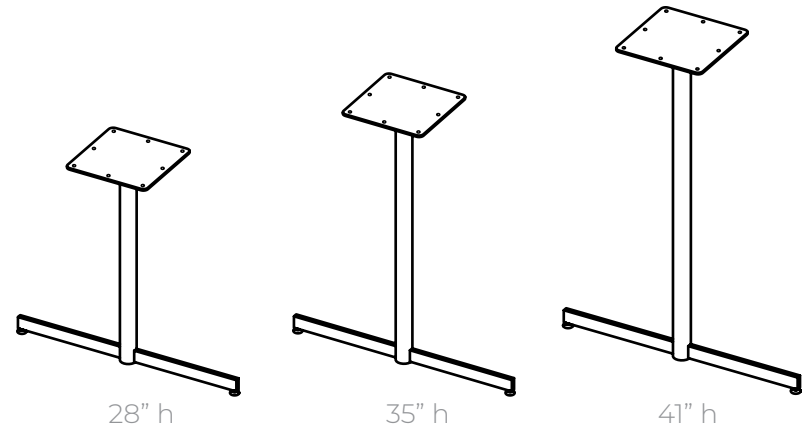
Code	Price	Height (in)	Width (in)	Depth (in)	Volume (ft <sup>3</sup> )	Weight (lb)
R-PTO-241616	1054	24	16	16	4	24.58



Tables Pricebook  
May 2023  
**Hanna**

Hanna tables

T base - slim	52
T base - tubular	54
X base - slim	56
X base - tubular	58
super ellipse top	60
round top	62
squircle top	64
rectangular top	66
square top	68



**What's Included:**

One (1) metal slim T base.

**How to Specify:**

T bases should be specified in two's.

Metal color.

24"d top - 16" spread

30"d top - 18" spread

36"d top - 22" spread

42"d top - 30" spread

48"d top - 34" spread

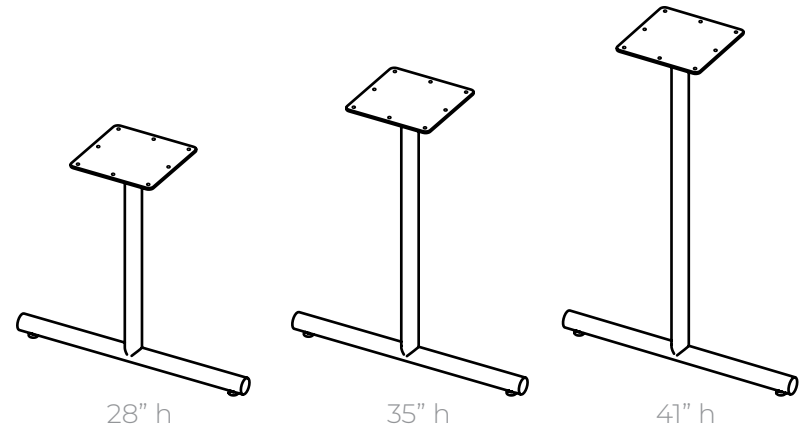
**Options:**

Spread                      16", 18", 22", 30", 34"

Height                      28", 35", 41"

Metal Color

Code	Price	Height (in)	Spread (in)	Volume (ft <sup>3</sup> )	Weight (lb)
R-HSB-T-1628	757	28	16	8	Slim T Base
R-HSB-T-1828	763	28	18	9	14
R-HSB-T-2228	762	28	22	11	14
R-HSB-T-3028	773	28	30	15	14
R-HSB-T-3428	801	28	34	17	14
R-HSB-T-1635	1065	35	16	11.5	17.5
R-HSB-T-1835	1069	35	18	12.5	17.5
R-HSB-T-2235	1073	35	22	14.5	17.5
R-HSB-T-3035	1081	35	30	18.5	17.5
R-HSB-T-3435	1110	35	34	20.5	17.5
R-HSB-T-1641	1065	41	16	14.5	20.5
R-HSB-T-1841	1069	41	18	15.5	20.5
R-HSB-T-2241	1073	41	22	17.5	20.5
R-HSB-T-3041	1081	41	30	21.5	20.5
R-HSB-T-3441	1110	41	34	23.5	20.5



**What's Included:**

One (1) metal tubular T base.

**How to Specify:**

T bases should be specified in two's.

Metal color.

24"d top - 16" spread

30"d top - 18" spread

36"d top - 22" spread

42"d top - 30" spread

48"d top - 34" spread

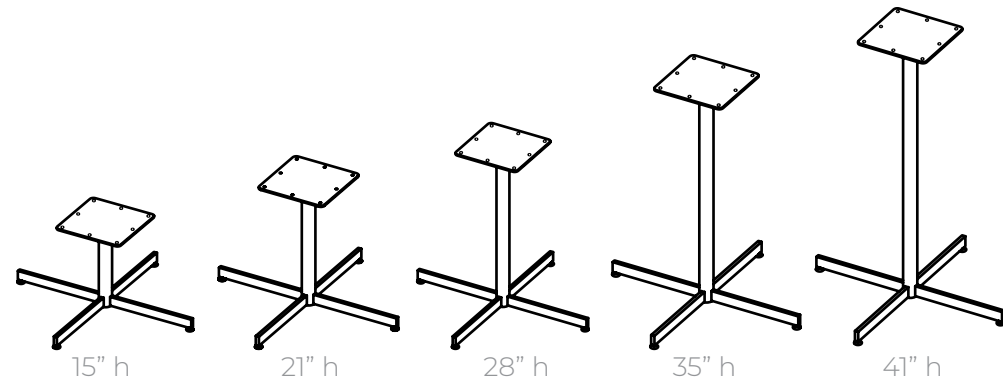
**Options:**

Spread                      16", 18", 22", 30", 34"

Height                      28", 35", 41"

Metal Color

Code	Price	Height (in)	Spread (in)	Volume (ft3)	Weight (lb)
R-HTB-T-1628	757	28	16	8	Tubular T Base
R-HTB-T-1828	759	28	18	9	14
R-HTB-T-2228	762	28	22	11	14
R-HTB-T-3028	773	28	30	15	14
R-HTB-T-3428	1015	28	34	17	14
R-HTB-T-1635	999	35	16	11.5	17.5
R-HTB-T-1835	1001	35	18	12.5	17.5
R-HTB-T-2235	1004	35	22	14.5	17.5
R-HTB-T-3035	1015	35	30	18.5	17.5
R-HTB-T-3435	1294	35	34	20.5	17.5
R-HTB-T-1641	1065	41	16	14.5	20.5
R-HTB-T-1841	1069	41	18	15.5	20.5
R-HTB-T-2241	1073	41	22	17.5	20.5
R-HTB-T-3041	1081	41	30	21.5	20.5
R-HTB-T-3441	1359	41	34	23.5	20.5



**What's Included:**

One (1) metal slim X base.

**How to Specify:**

Metal color.

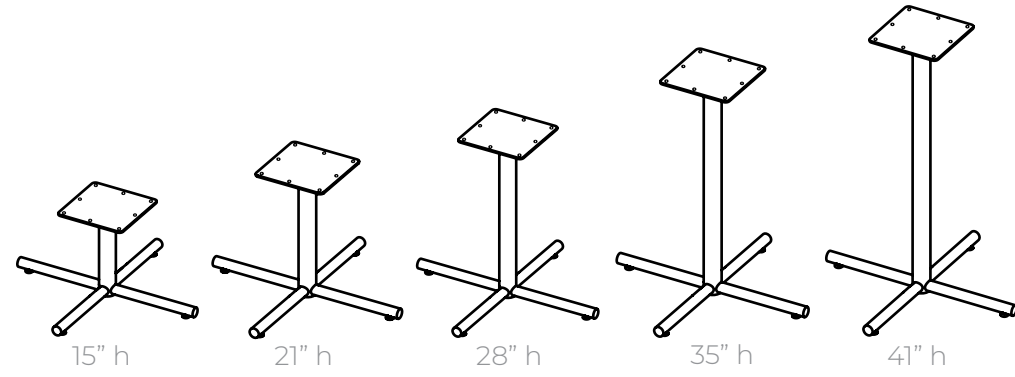
Round	Square	Squirrel	Rectangular & Super Ellipse
24"dia - 16" spread	18"d - 16" spread	24"d - 16" spread	24"d - 16" spread
30"dia - 18" spread	24"d - 18" spread	30"d - 22" spread	30"d - 18" spread
36"dia - 22" spread	30"d - 22" spread	36"d - 26" spread	36"d - 22" spread
42"dia - 26" spread	36"d - 26" spread	42"d - 30" spread	42"d - 30" spread
48"dia - 30" spread	42"d - 30" spread		48"d - 34" spread

**Options:**

Spread	16", 18", 22", 26", 30", 34"
Height	15", 21", 28", 35", 41"
Metal Color	

Code	Price	Height (in)	Spread (in)	Volume (ft <sup>3</sup> )	Weight (lb)
R-HSB-X-1615	1004	15	16	8	Slim X Base
R-HSB-X-1815	1012	15	18	9.5	7.5
R-HSB-X-2215	1038	15	22	11.5	7.5
R-HSB-X-2615	1074	15	26	13.5	7.5
R-HSB-X-3015	1112	15	30	15.5	7.5
R-HSB-X-3415	1146	15	34	17.5	7.5
R-HSB-X-1621	1004	21	16	9	10.5
R-HSB-X-1821	1012	21	18	10.5	10.5
R-HSB-X-2221	1038	21	22	12.5	10.5
R-HSB-X-2621	1074	21	26	14.5	10.5
R-HSB-X-3021	1112	21	30	16.5	10.5
R-HSB-X-3421	1146	21	34	18.5	10.5
R-HSB-X-1628	1004	28	16	12	14
R-HSB-X-1828	1012	28	18	13.5	14
R-HSB-X-2228	1038	28	22	15.5	14
R-HSB-X-2628	1074	28	26	17.5	14
R-HSB-X-3028	1112	28	30	19.5	14
R-HSB-X-3428	1146	28	34	21.5	14
R-HSB-X-1635	1316	35	16	15	17.5
R-HSB-X-1835	1322	35	18	16.5	17.5
R-HSB-X-2235	1348	35	22	18.5	17.5
R-HSB-X-2635	1383	35	26	20.5	17.5
R-HSB-X-3035	1422	35	30	22.5	17.5
R-HSB-X-3435	1455	35	34	24.5	17.5
R-HSB-X-1641	1316	41	16	17	20.5
R-HSB-X-1841	1322	41	18	18.5	20.5
R-HSB-X-2241	1348	41	22	20.5	20.5
R-HSB-X-2641	1383	41	26	22.5	20.5
R-HSB-X-3041	1422	41	30	24.5	20.5
R-HSB-X-3441	1455	41	34	26.5	20.5





**What's Included:**

One (1) metal tubular X base.

**How to Specify:**

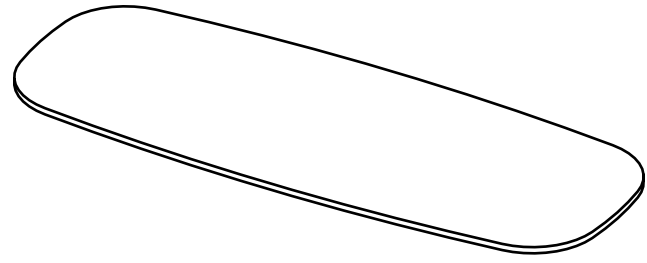
Metal color.

Round	Square	Squircle	Rectangular & Super Ellipse
24"dia - 18" spread	18"d - 18" spread	24"d - 22" spread	24"d - 18" spread
30"dia - 22" spread	24"d - 22" spread	30"d - 26" spread	30"d - 22" spread
36"dia - 26" spread	30"d - 26" spread	36"d - 30" spread	36"d - 26" spread
42"dia - 30" spread	36"d - 30" spread	42"d - 34" spread	42"d - 30" spread
48"dia - 34" spread	42"d - 34" spread		48"d - 34" spread
54"dia - 42" spread			
60"dia - 48" spread			

**Options:**

Spread	16", 18", 22", 26", 30", 34", 42", 48"
Height	15", 21", 28", 35", 41"
Metal Color	

Code	Price	Height (in)	Spread (in)	Volume (ft <sup>3</sup> )	Weight (lb)
R-HTB-X-1615	1004	15	16	8	7.5
R-HTB-X-1815	1012	15	18	9.5	7.5
R-HTB-X-2215	1038	15	22	11.5	7.5
R-HTB-X-2615	1074	15	26	13.5	7.5
R-HTB-X-3015	1112	15	30	15.5	7.5
R-HTB-X-3415	1328	15	34	17.5	7.5
R-HTB-X-4215	1719	15	42	21.5	7.5
R-HTB-X-4815	1932	15	48	24.5	7.5
R-HTB-X-1621	1004	21	16	9	10.5
R-HTB-X-1821	1012	21	18	10.5	10.5
R-HTB-X-2221	1038	21	22	12.5	10.5
R-HTB-X-2621	1074	21	26	14.5	10.5
R-HTB-X-3021	1112	21	30	16.5	10.5
R-HTB-X-3421	1328	21	34	18.5	10.5
R-HTB-X-4221	1719	21	42	22.5	10.5
R-HTB-X-4821	1932	21	48	25.5	10.5
R-HTB-X-1628	1004	28	16	12	14
R-HTB-X-1828	1012	28	18	13.5	14
R-HTB-X-2228	1038	28	22	15.5	14
R-HTB-X-2628	1074	28	26	17.5	14
R-HTB-X-3028	1112	28	30	19.5	14
R-HTB-X-3428	1328	28	34	21.5	14
R-HTB-X-4228	1719	28	42	25.5	14
R-HTB-X-4828	1932	28	48	28.5	14
R-HTB-X-1635	1348	35	16	15	17.5
R-HTB-X-1835	1355	35	18	16.5	17.5
R-HTB-X-2235	1383	35	22	18.5	17.5
R-HTB-X-2635	1417	35	26	20.5	17.5
R-HTB-X-3035	1455	35	30	22.5	17.5
R-HTB-X-3435	1563	35	34	24.5	17.5
R-HTB-X-4235	1953	35	42	28.5	17.5
R-HTB-X-4835	2252	35	48	31.5	17.5
R-HTB-X-1641	1348	41	16	17	20.5
R-HTB-X-1841	1355	41	18	18.5	20.5
R-HTB-X-2241	1383	41	22	20.5	20.5
R-HTB-X-2641	1417	41	26	22.5	20.5
R-HTB-X-3041	1455	41	30	24.5	20.5
R-HTB-X-3441	1563	41	34	26.5	20.5
R-HTB-X-4241	1953	41	42	30.5	20.5
R-HTB-X-4841	2252	41	48	33.5	20.5



**What's Included:**

1" laminate surface.

**How to Specify:**

Must be specified with two bases.

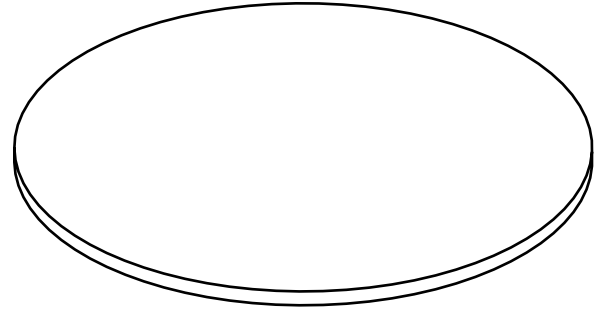
**Options:**

Width 30", 36", 42", 48", 54", 60", 66", 72", 78", 84", 90", 96"

Depth 24", 30", 36", 42", 48"

Worksurface Laminate

Code	Price	Height (in)	Width (in)	Depth (in)	Volume (ft <sup>3</sup> )	Weight (lb)
R-TE0N-3024	418	1	30	24	0.4	14.4
R-TE0N-3624	424	1	36	24	0.48	17.28
R-TE0N-4224	481	1	42	24	0.56	20.16
R-TE0N-4824	506	1	48	24	0.64	23.04
R-TE0N-5424	584	1	54	24	0.72	25.92
R-TE0N-6024	608	1	60	24	0.8	28.8
R-TE0N-6624	658	1	66	24	0.88	31.68
R-TE0N-7224	685	1	72	24	0.96	34.56
R-TE0N-7824	737	1	78	24	1.04	37.44
R-TE0N-8424	785	1	84	24	1.12	40.32
R-TE0N-9024	880	1	90	24	1.2	43.2
R-TE0N-9624	939	1	96	24	1.28	46.08
R-TE0N-4230	521	1	42	30	0.7	25.2
R-TE0N-4830	552	1	48	30	0.8	28.8
R-TE0N-5430	606	1	54	30	0.9	32.4
R-TE0N-6030	631	1	60	30	1	36
R-TE0N-6630	705	1	66	30	1.1	39.6
R-TE0N-7230	721	1	72	30	1.2	43.2
R-TE0N-7830	773	1	78	30	1.3	46.8
R-TE0N-8430	826	1	84	30	1.4	50.4
R-TE0N-9030	926	1	90	30	1.5	54
R-TE0N-9630	990	1	96	30	1.6	57.6
R-TE0N-6036	657	1	60	36	1.2	43.2
R-TE0N-6636	733	1	66	36	1.32	47.52
R-TE0N-7236	748	1	72	36	1.44	51.84
R-TE0N-7836	800	1	78	36	1.56	56.16
R-TE0N-8436	858	1	84	36	1.68	60.48
R-TE0N-9036	959	1	90	36	1.8	64.8
R-TE0N-9636	1025	1	96	36	1.92	69.12
R-TE0N-8442	938	1	84	42	1.96	70.56
R-TE0N-9042	1040	1	90	42	2.1	75.6
R-TE0N-9642	1103	1	96	42	2.24	80.64
R-TE0N-8448	1018	1	84	48	2.24	80.64
R-TE0N-9048	1130	1	90	48	2.4	86.4
R-TE0N-9648	1200	1	96	48	2.56	92.16



**What's Included:**

1" laminate surface.

**How to Specify:**

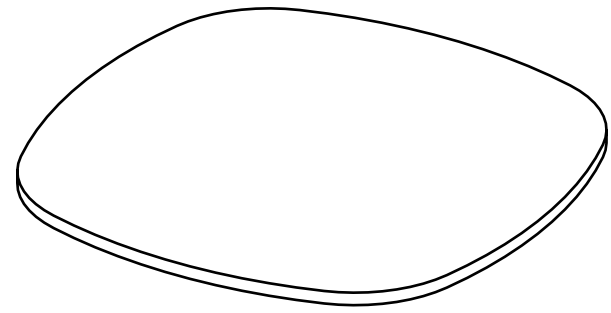
Must be specified with X-base.

**Options:**

Diameter 24", 30", 36", 42", 48", 54", 60"

Worksurface Laminate

Code	Price	Height (in)	Width (in)	Depth (in)	Volume (ft <sup>3</sup> )	Weight (lb)
R-TO0N-24	531	1	24	24	0.32	11.52
R-TO0N-30	582	1	30	30	0.5	18
R-TO0N-36	594	1	36	36	0.72	25.92
R-TO0N-42	629	1	42	42	0.98	35.28
R-TO0N-48	644	1	48	48	1.28	46.08
R-TO0N-54	738	1	54	54	1.28	52.23
R-TO0N-60	851	1	60	60	1.38	56.32



**What's Included:**

1" laminate surface.

**How to Specify:**

Must be specified with a X-base.

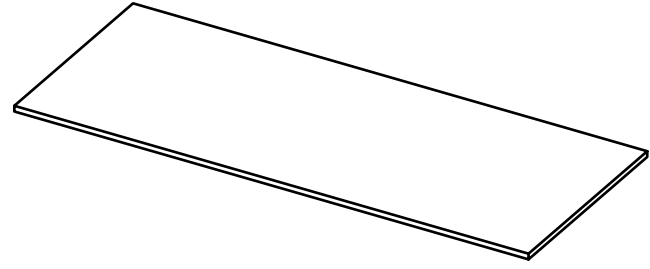
**Options:**

Width 24", 30", 36", 42", 48"

Depth 24", 30", 36", 42"

Worksurface Laminate

Code	Price	Height (in)	Width (in)	Depth (in)	Volume (ft <sup>3</sup> )	Weight (lb)
R-TQ0N-2424	531	1	24	24	0.32	11.52
R-TQ0N-3030	582	1	30	30	0.5	18
R-TQ0N-3636	594	1	36	36	0.72	25.92
R-TQ0N-4242	629	1	42	42	0.98	35.28



**What's Included:**

1" laminate surface.

**How to Specify:**

Must be specified with two bases.

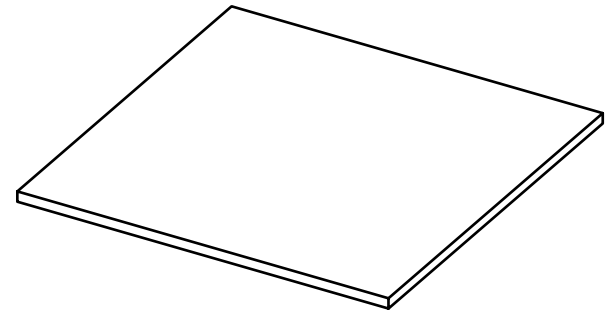
**Options:**

Width 30", 36", 42", 48", 54", 60", 66", 72", 78", 84", 90", 96"

Depth 18", 24", 30", 36", 42", 48"

Worksurface Laminate

Code	Price	Height (in)	Width (in)	Depth (in)	Volume (ft <sup>3</sup> )	Weight (lb)
R-TR0N-3024	277	1	30	24	0.4	14.4
R-TR0N-3624	282	1	36	24	0.48	17.28
R-TR0N-4224	339	1	42	24	0.56	20.16
R-TR0N-4824	363	1	48	24	0.64	23.04
R-TR0N-5424	443	1	54	24	0.72	25.92
R-TR0N-6024	468	1	60	24	0.8	28.8
R-TR0N-6624	517	1	66	24	0.88	31.68
R-TR0N-7224	543	1	72	24	0.96	34.56
R-TR0N-7824	595	1	78	24	1.04	37.44
R-TR0N-8424	644	1	84	24	1.12	40.32
R-TR0N-9024	738	1	90	24	1.2	43.2
R-TR0N-9624	798	1	96	24	1.28	46.08
R-TR0N-4230	380	1	42	30	0.7	25.2
R-TR0N-4830	410	1	48	30	0.8	28.8
R-TR0N-5430	464	1	54	30	0.9	32.4
R-TR0N-6030	491	1	60	30	1	36
R-TR0N-6630	564	1	66	30	1.1	39.6
R-TR0N-7230	579	1	72	30	1.2	43.2
R-TR0N-7830	631	1	78	30	1.3	46.8
R-TR0N-8430	685	1	84	30	1.4	50.4
R-TR0N-9030	784	1	90	30	1.5	54
R-TR0N-9630	848	1	96	30	1.6	57.6
R-TR0N-6036	516	1	60	36	1.2	43.2
R-TR0N-6636	591	1	66	36	1.32	47.52
R-TR0N-7236	606	1	72	36	1.44	51.84
R-TR0N-7836	658	1	78	36	1.56	56.16
R-TR0N-8436	716	1	84	36	1.68	60.48
R-TR0N-9036	820	1	90	36	1.8	64.8
R-TR0N-9636	883	1	96	36	1.92	69.12
R-TR0N-8442	796	1	84	42	1.96	70.56
R-TR0N-9042	898	1	90	42	2.1	75.6
R-TR0N-9642	963	1	96	42	2.24	80.64
R-TR0N-8448	876	1	84	48	2.24	80.64
R-TR0N-9048	989	1	90	48	2.4	86.4
R-TR0N-9648	1042	1	96	48	2.56	92.16



**What's Included:**

1" laminate surface.

**How to Specify:**

Must be specified with a X-base.

**Options:**

Width 18", 24", 30", 36", 42", 48", 54"

Depth 18", 24", 30", 36", 42", 48", 54"

Worksurface Laminate

Code	Price	Height (in)	Width (in)	Depth (in)	Volume (ft <sup>3</sup> )	Weight (lb)
R-TS0N-1818	329	1	18	18	0.18	6.48
R-TS0N-2424	358	1	24	24	0.32	11.52
R-TS0N-3030	386	1	30	30	0.5	18
R-TS0N-3636	424	1	36	36	0.72	25.92
R-TS0N-4242	541	1	42	42	0.98	35.28

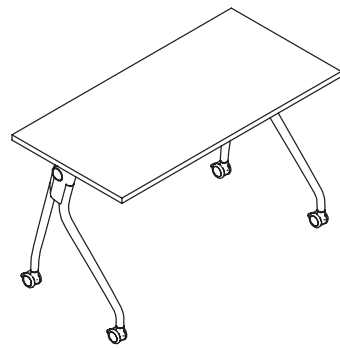


Tables Pricebook  
May 2023  
**One-touch**

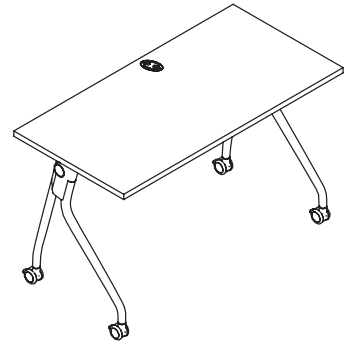
One-touch tables

<u>flip-top mobile</u>	72
<u>power, data and wire management</u>	74
<u>accessories</u>	76

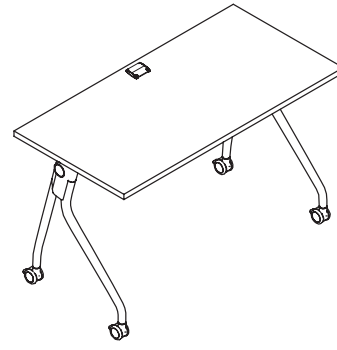




One-Touch Flip-Top Mobile Table Without Grommets



One-Touch Flip-Top Mobile Table With Grommets



One-Touch Flip-Top Mobile Table With Power and Data Grommet

**How to Specify:**

The One-touch flip-top mobile table base is silver only.

The edge trim color will default to match the finish of the worksurface unless otherwise specified.

**Notes:**

The One-touch flip-top mobile table is available in depths of 24 and 30 inches, and widths of 48, 60, and 72 inches, and is standard with a 4 inch charcoal laminate modesty.

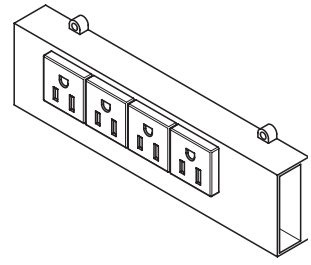
The One-touch flip-top mobile table easily collapses by pressing the button on either side of the table base. Once in the collapsed position, tables can be nested together when not in use.

Casters on the One-touch flip-top mobile table are lockable.

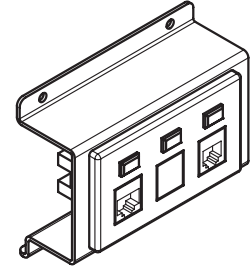
A metal modesty panel, tray, and variety of power and wire management options can be specified separately to increase the functionality of the One-touch flip-top mobile table.

When the grommet is specified, it will be centrally located along the back edge of the worksurface. The One-touch flip-top table is shipped knocked down.

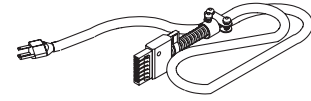
Code	Price	H	W	D	Weight (lb.)	Volume (ft <sup>3</sup> )
<b>One-Touch Flip-Top Mobile Table Without Grommets</b>						
Y-TS0N-4824	1496	29	48	24	12.95	19.33
Y-TS0N-6024	1757	29	60	24	14.95	24.17
Y-TS0N-7224	1871	29	72	24	16.95	29
Y-TS0N-4830	1558	29	48	30	14.5	24.17
Y-TS0N-6030	1826	29	60	30	17	30.21
Y-TS0N-7230	1943	29	72	30	20	36.25
<b>One-Touch Flip-Top Mobile Table With Grommets</b>						
Y-TS0G-4824	1585	29	48	24	12.95	19.33
Y-TS0G-6024	1847	29	60	24	14.95	24.17
Y-TS0G-7224	1959	29	72	24	16.95	29
Y-TS0G-4830	1643	29	48	30	14.5	24.17
Y-TS0G-6030	1918	29	60	30	17	30.21
Y-TS0G-7230	2032	29	72	30	20	36.25
<b>One-Touch Flip-Top Mobile Table With Power and Data Grommet</b>						
Y-TS0E-4824	1923	29	48	24	12.95	19.33
Y-TS0E-6024	2182	29	60	24	14.95	24.17
Y-TS0E-7224	2297	29	72	24	16.95	29
Y-TS0E-4830	1983	29	48	30	14.5	24.17
Y-TS0E-6030	2255	29	60	30	17	30.21
Y-TS0E-7230	2387	29	72	30	20	36.25



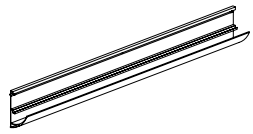
Trough Mounted Power Box



Trough Mounted Data Box



Electrical Starter



Horizontal Wire Management Trough

**How to Specify:**

The trough mounted data box and trough mounted power box are silver only.

Refer to local codes for limits or restrictions on harness length.

**Notes:**

The trough mounted power and data boxes can be fastened to the horizontal wire management trough when power, data and communication access is required below the worksurface.

The trough mounted power box does not come with any electrical harnesses.

The trough mounted data box does not come with any data cables.

Y-EPT-1 trough mounted data box comes equipped with one RJ11 outlet, and one RJ45 outlet.

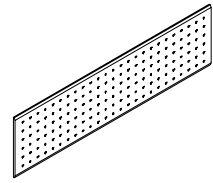
Y-EPT-2 trough mounted data box comes equipped with two RJ11 outlets.

Y-EPT-3 trough mounted data box comes equipped with one RJ11 outlet, and two RJ45 outlets.

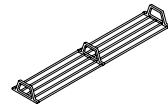
Y-EPT-6 trough mounted data box comes equipped with two RJ45 outlets.

The electrical starter has one male end while the other end is meant to plug directly into a power outlet.

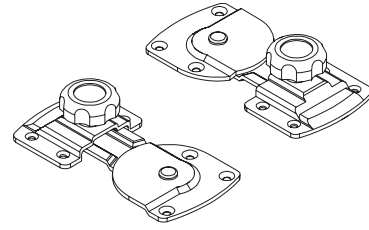
Code	Price	H	W	D	Weight (lb.)	Volume (ft <sup>3</sup> )
Trough Mounted Power Box						
Y-EMT-1111	209	3	8	2	0.02	0.6
Trough Mounted Data Box						
Y-EPT-1	178	3	4	1	0.6	0.02
Y-EPT-2	178	3	4	1	0.6	0.02
Y-EPT-3	262	3	4	1	0.6	0.02
Y-EPT-6	194	3	4	1	0.6	0.02
Electrical Starter						
Y-ESP1-096	575	0	96	0	0.5	1.2
Power & Data Grommet, Byrne Type 1						
Y-EGB	624	-	-	-	1	0
Horizontal Wire Management Trough						
Y-EWHT-48	156	-	48	-	2.4	4.8
Y-EWHT-60	207	-	60	-	3	6
Y-EWHT-72	256	-	72	-	3.6	7.2



Modesty Panel



Accessory Tray



Ganging Mechanism

**How to Specify:**

The modesty panel is charcoal only.

The accessory tray is silver only.

The ganging mechanism is black only.

**Notes:**

The ganging mechanism fits into the pre-drilled holes on the underside of the one-touch table.

Ganging mechanisms are available in pairs.

Code	Price	H	W	D	Weight (lb.)	Volume (ft <sup>3</sup> )
Modesty Panel						
Y-MMOD-48	229	14	48	0	2.5	0.14
Y-MMOD-60	262	14	60	0	3.25	0.19
Y-MMOD-72	327	14	72	0	4	0.23
Accessory Tray						
Y-TRAY-48	135	4	48	10	0.45	1.04
Y-TRAY-60	160	4	60	10	0.82	1.18
Y-TRAY-72	168	4	72	10	0.96	1.42
Ganging Mechanism						
Y-AGM0	125	0	2	1	0.01	0.01