

tayco®

Receptions Pricebook

January 2023

Contract# - MA220000002843

Caution	3
Application Guidelines	4
Aloha Waterfall Reception	10
Straight	10
Waterfall Length Matrix	11
Laminate Base	11
Metal Kickplate Base	12
L-Shape	13
Waterfall Length Matrix	14
Laminate Base	14
Metal Kickplate Base	15
Maeva Border Reception	16
Straight	16
L-Shape	18
Karibu Angled Reception	20
Straight	20
With ADA extension	21
Without ADA extension	21
L-Shape	22
With ADA extension	23
Without ADA extension	23
Storage	24
Mobile Pedestal	24
Underdesk Pedestal	25
Underdesk Lateral	26
Accessories	27
Keyboard Tray	27
Task Light	28
Monitor Arm	29
Horizontal Wire Manager	30
Vertical Wire Manager	31
Wall Mounted Tackboard	32
Storage Cube	36
Power/USB	37
Grommet Covers	38
Lock and Key	39

Load Bottom Drawer First

- Operate one drawer at a time
- Units may tip if loaded incorrectly
- Units should be attached to a wall or other furniture to reduce tipping hazard
- Always load the heaviest files in the bottom drawer

Heavy Load

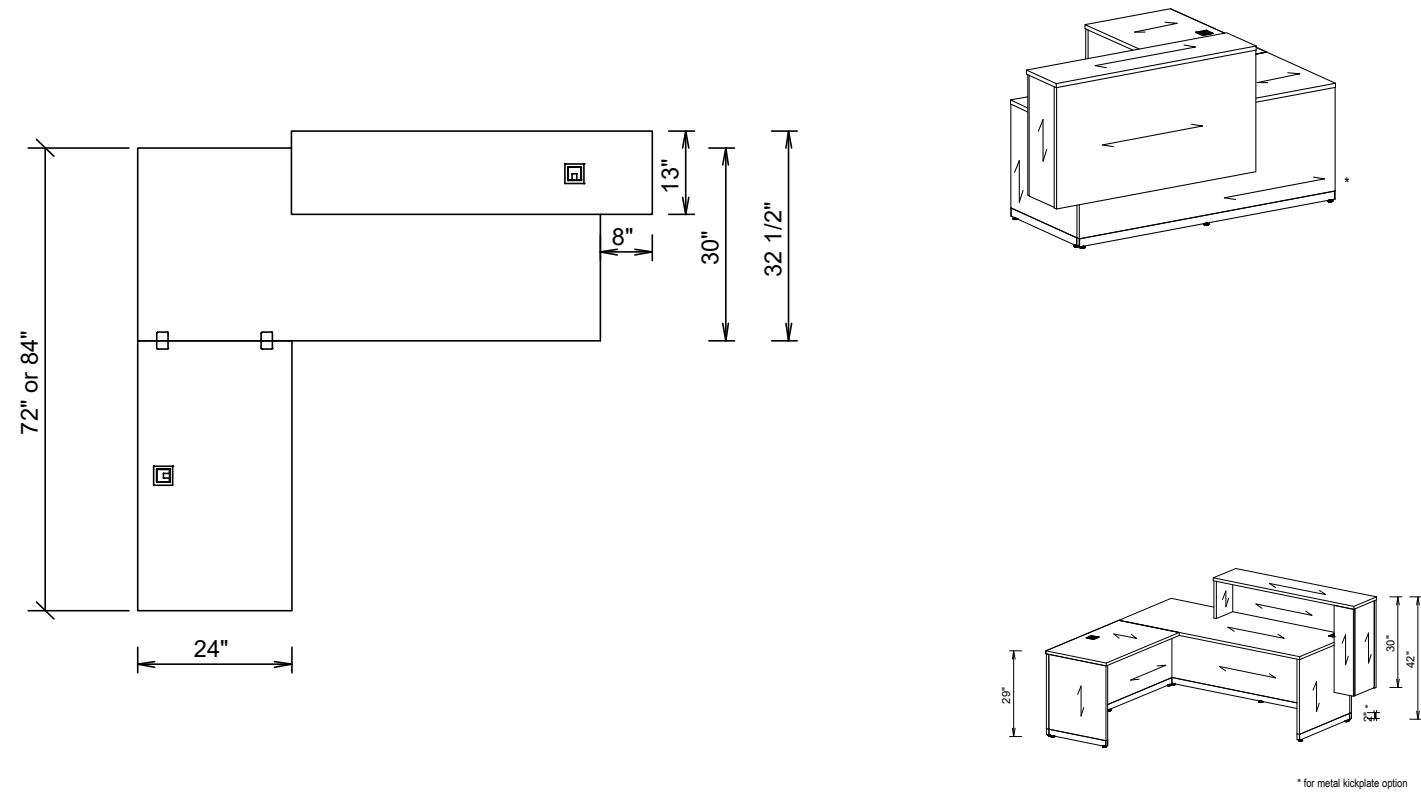
- Some products must be anchored to wall to ensure stability & safety.
- It is the owner and installers responsibility to ensure that the wall type and construction is of sufficient strength to carry the loads of any wall mounted products and their contents.
- Failure of the wall and anchors to support all imposed loads may result in property damage and/or personal injury.
- Tayco can provide size and empty weight of its products only. As wall blocking is considered a building construction process, Tayco cannot provide recommendations in this respect and cannot be responsible for damage or injury that may occur as a result of improper installation and/or blocking.

Instability Hazard

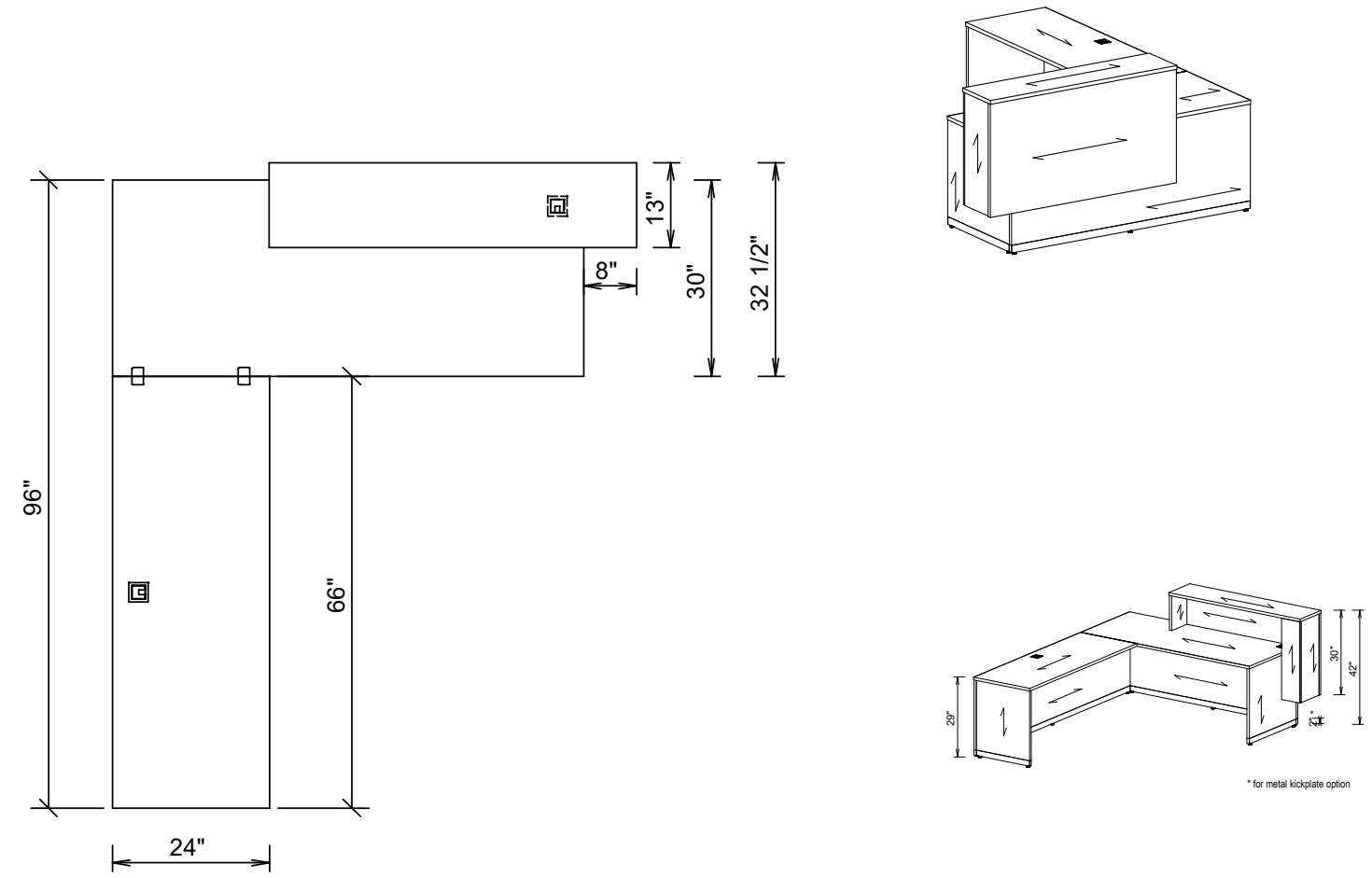
Mobile items on casters such as flip top, personal and movable tables of any type and storage items of any type may present an instability hazard if not secured correctly while in use or in storage. Flip top tables or training tables of any type, are inherently more unstable when folded. Tayco provides the following guidelines & warnings when using mobile products:

- Lock casters immediately after moving. Do not leave the casters unlocked when in use or in storage.
- Motion may increase the instability of any item with casters. If the wheels hit an obstruction the table's forward momentum often causes overturn, especially if the item is not equipped with wheel extensions. Exercise strong caution while moving these items.
- Use caution when abrupt level changes in the floor are present (such as a doorway or room threshold) as caster failure or tipping may result.
- Do not stand, sit or lean on mobile items for support. They are not intended for this use and personal injury or property damage may result.
- Mobile units that feature height adjustable elements must be lowered to the minimum compressed height when moving to prevent instability. It is also recommended the user remove all computer equipment or other accessories to prevent possible weight imbalance or damage to equipment.
- Failure to follow the guidelines above may result in property damage or personal injury.

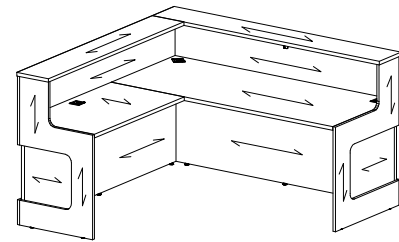
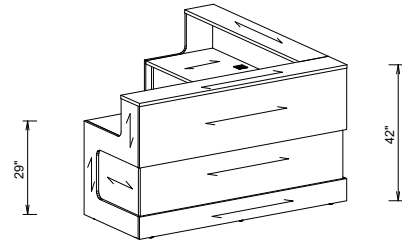
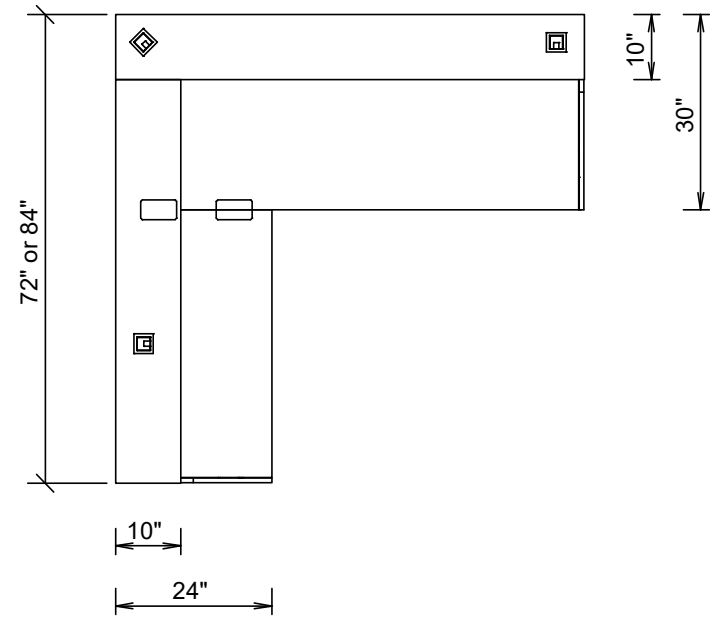
Aloha (72" & 84" Return) - Dimensions and Grain Direction



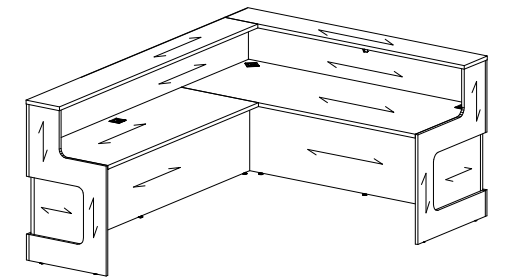
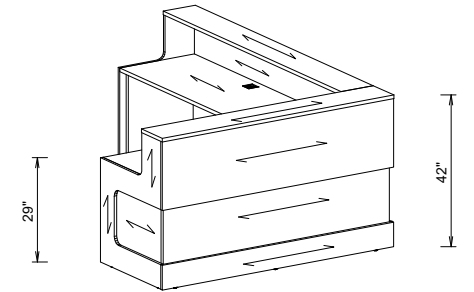
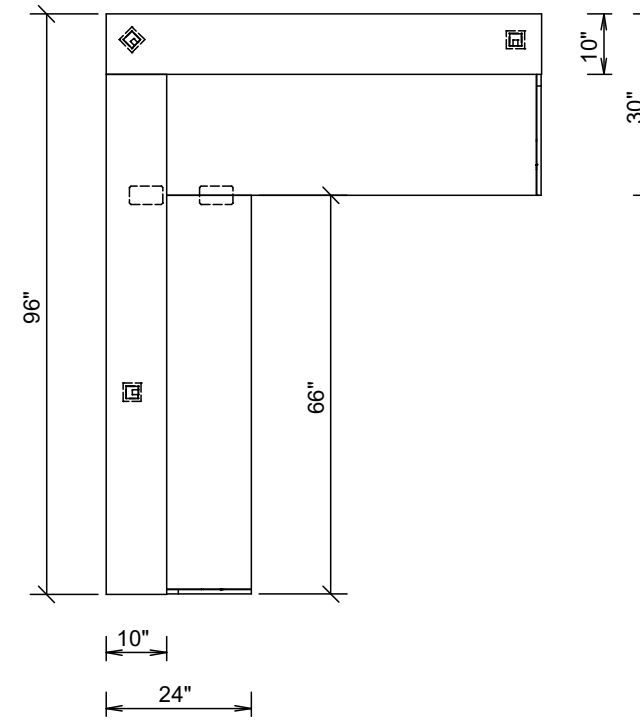
Aloha (96" Return) - Dimensions and Grain Direction



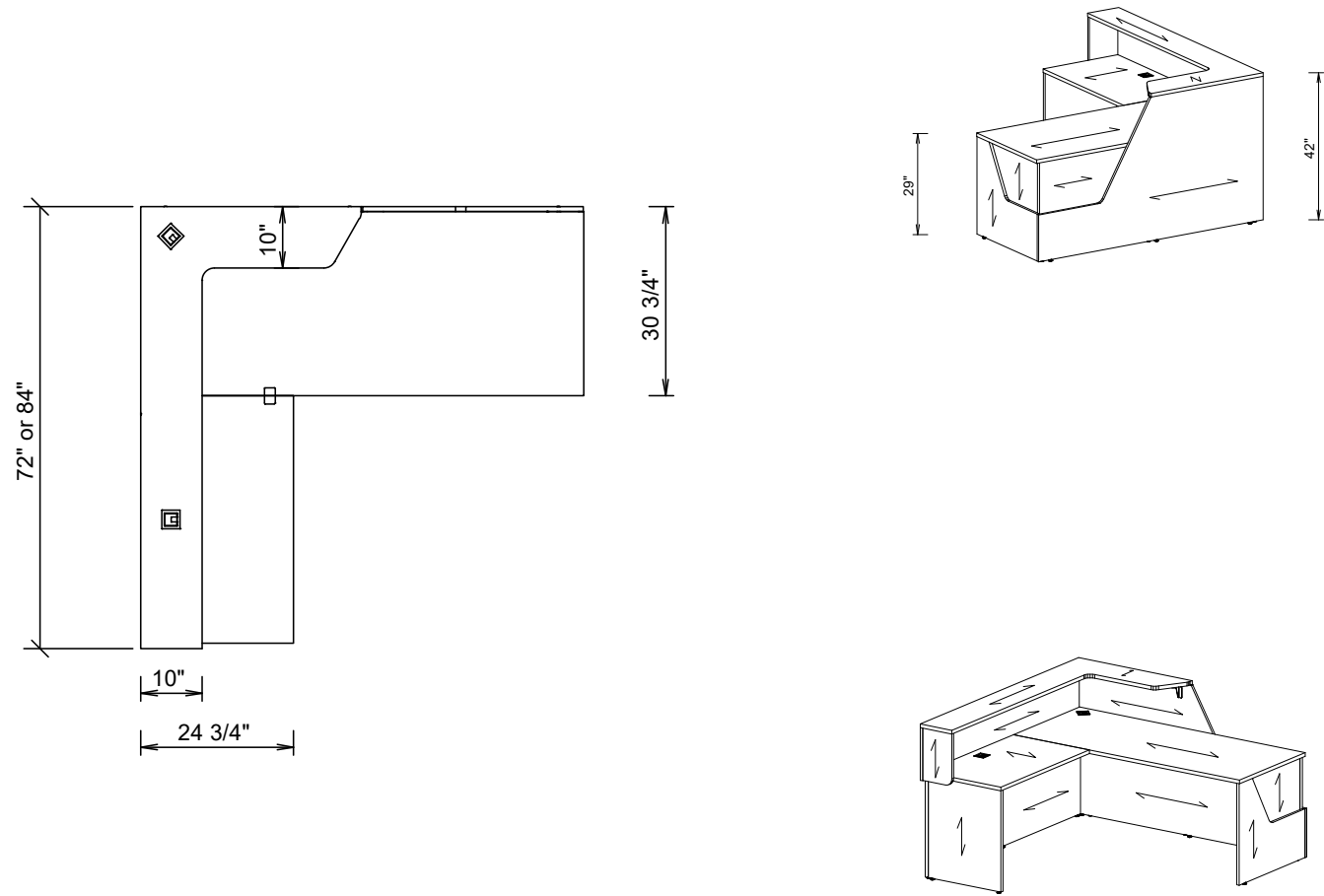
Maeva (72" & 84" Return) - Dimensions and Grain Direction



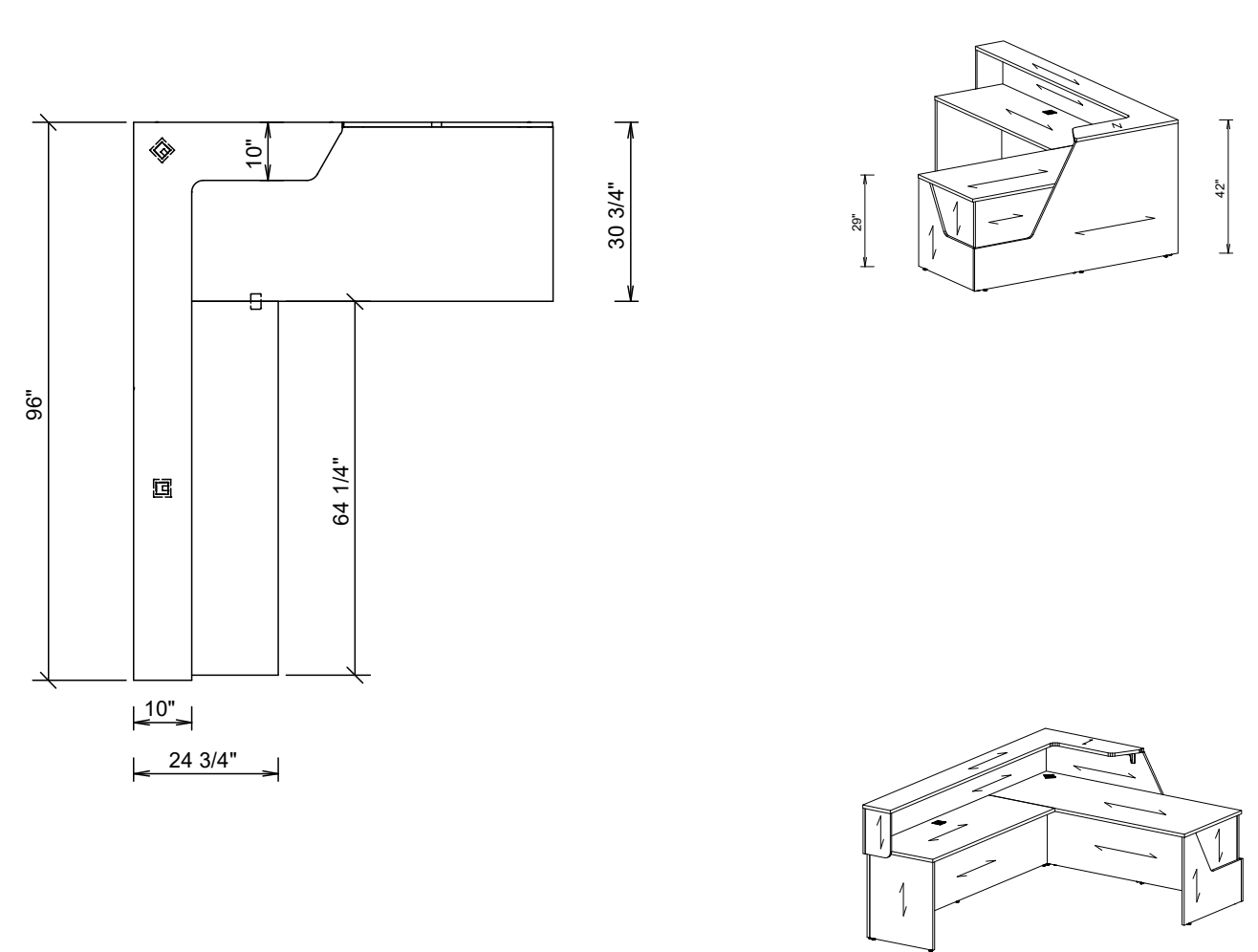
Maeva (96" Return) - Dimensions and Grain Direction

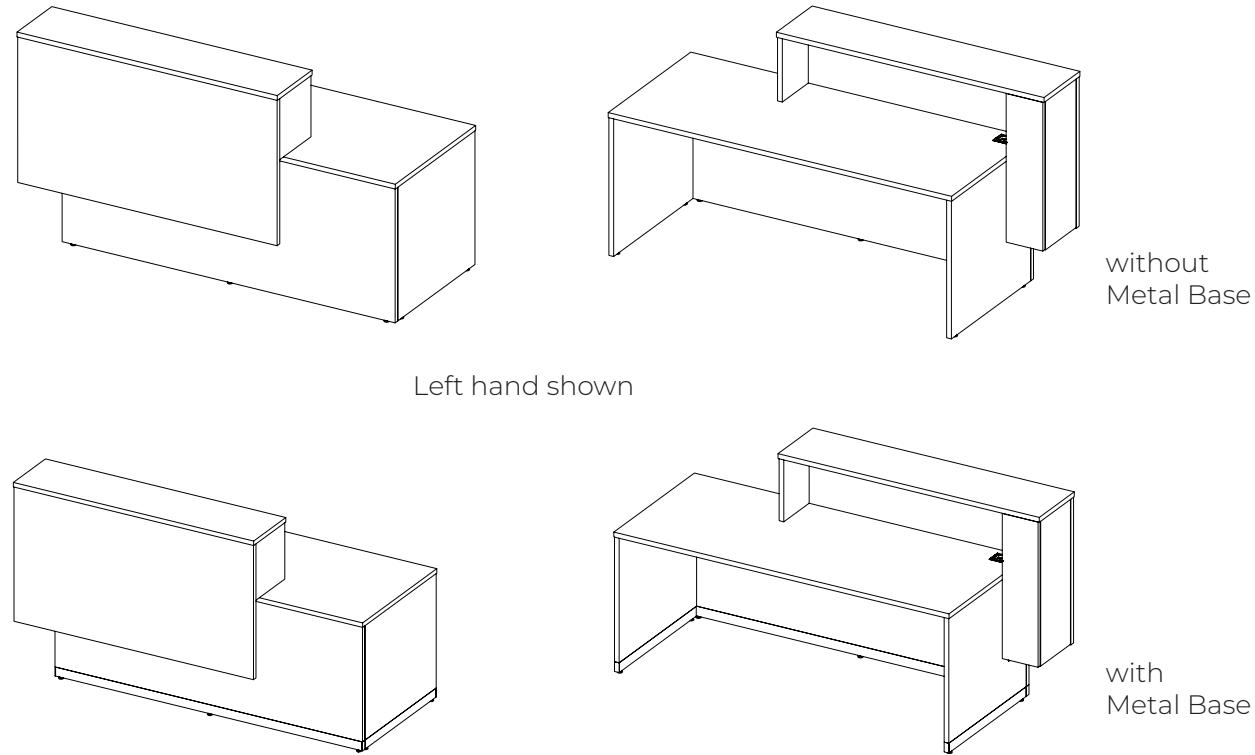


Karibu (72" & 84" Return) - Dimensions and Grain Direction



Karibu (96" Return) - Dimensions and Grain Direction





Left hand shown

without Metal Base

with Metal Base

What's Included:

One (1) complete straight waterfall reception desk with hardware and corresponding grommets

How to Specify:

Refer to laminate swatches for laminate selections

Refer to metal swatches for metal selections

Long or short transaction top can be chosen based on style preference

Notes:

Includes one (1) grommet

Up to two laminate colors can be chosen - one for the angled portion and transaction top and the other for the desk core and worksurface

Reception desk is sold as one unit including hardware, storage must be specified separately

Reception is shipped knocked down

Options:

Width: 72", 78", 84", 90", 96"

Depth: 30"D

With or without metal kick plate

Laminate color for waterfall transaction top

Laminate color for desk core body and worksurface

Metal color for kick plate if chosen

Waterfall Length Matrix

Station Size	Short Waterfall Length	Long Waterfall Length
72 x 30	44"	56"
78 x 30	50"	62"
84 x 30	56"	68"
90 x 30	62"	74"
96 x 30	68"	80"

Laminate Base

Short Transaction Top

Code	Price	H	W	D
Left Hand				
R3-S0LW-S-7230-L	\$3831	42	72	30
R3-S0LW-S-7830-L	\$3893	42	78	30
R3-S0LW-S-8430-L	\$4015	42	84	30
R3-S0LW-S-9030-L	\$4199	42	90	30
R3-S0LW-S-9630-L	\$4321	42	96	30
Right Hand				
R3-S0LW-S-7230-R	\$3831	42	72	30
R3-S0LW-S-7830-R	\$3893	42	78	30
R3-S0LW-S-8430-R	\$4015	42	84	30
R3-S0LW-S-9030-R	\$4199	42	90	30
R3-S0LW-S-9630-R	\$4321	42	96	30

Long Transaction Top

Code	Price	H	W	D
Left Hand				
R3-S0LW-L-7230-L	\$3941	42	72	30
R3-S0LW-L-7830-L	\$4003	42	78	30
R3-S0LW-L-8430-L	\$4125	42	84	30
R3-S0LW-L-9030-L	\$4309	42	90	30
R3-S0LW-L-9630-L	\$4431	42	96	30
Right Hand				
R3-S0LW-L-7230-R	\$3941	42	72	30
R3-S0LW-L-7830-R	\$4003	42	78	30
R3-S0LW-L-8430-R	\$4125	42	84	30
R3-S0LW-L-9030-R	\$4309	42	90	30
R3-S0LW-L-9630-R	\$4431	42	96	30

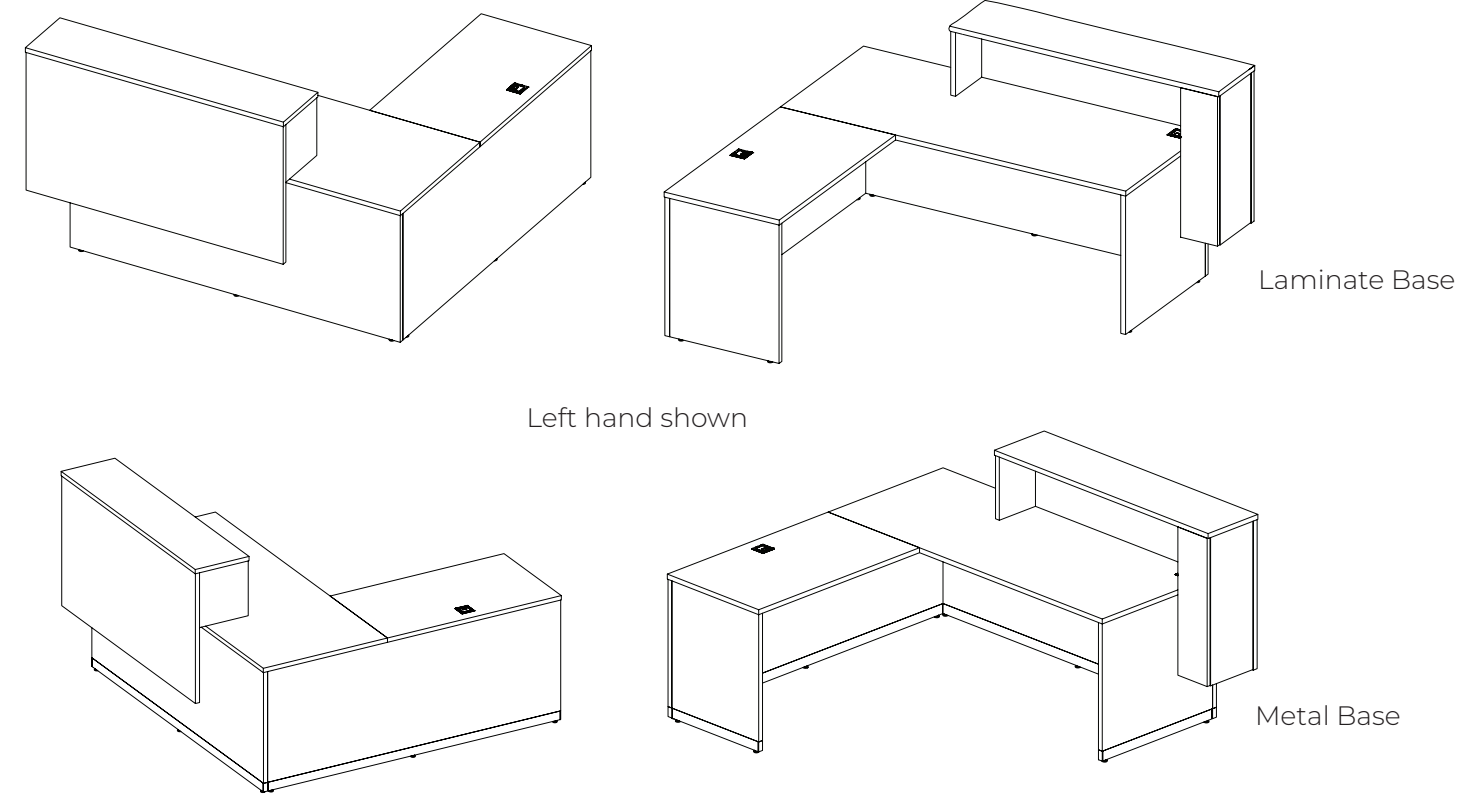
Metal Kickplate Base

Short Transaction Top

Code	Price	H	W	D
Left Hand				
R3-S0MW-S-7230-L	\$4326	42	72	30
R3-S0MW-S-7830-L	\$4388	42	78	30
R3-S0MW-S-8430-L	\$4510	42	84	30
R3-S0MW-S-9030-L	\$4694	42	90	30
R3-S0MW-S-9630-L	\$4816	42	96	30
Right Hand				
R3-S0MW-S-7230-R	\$4326	42	72	30
R3-S0MW-S-7830-R	\$4388	42	78	30
R3-S0MW-S-8430-R	\$4510	42	84	30
R3-S0MW-S-9030-R	\$4694	42	90	30
R3-S0MW-S-9630-R	\$4816	42	96	30

Long Transaction Top

Code	Price	H	W	D
Left Hand				
R3-S0MW-L-7230-L	\$4436	42	72	30
R3-S0MW-L-7830-L	\$4498	42	78	30
R3-S0MW-L-8430-L	\$4620	42	84	30
R3-S0MW-L-9030-L	\$4804	42	90	30
R3-S0MW-L-9630-L	\$4926	42	96	30
Right Hand				
R3-S0MW-L-7230-R	\$4436	42	72	30
R3-S0MW-L-7830-R	\$4498	42	78	30
R3-S0MW-L-8430-R	\$4620	42	84	30
R3-S0MW-L-9030-R	\$4804	42	90	30
R3-S0MW-L-9630-R	\$4926	42	96	30



What's Included:

One (1) complete L-shape waterfall reception desk with hardware and corresponding grommets

How to Specify:

Refer to laminate swatches for laminate selections

Refer to metal swatches for metal selections

Long or short transaction top can be chosen based on style preference

Options:

Width: 72", 84", 96"

Length: 72", 84", 96"

Front worksurface depth: 30"

Return worksurface depth: 24"

Transaction Top: 13" D

With or without metal kick plate

Laminate color for waterfall transaction top

Laminate color for desk core body and worksurface

Metal color for kick plate if chosen

Notes:

Includes (2) grommets

Up to two laminate colors can be chosen - one for the waterfall transaction portion and the other for the desk core and worksurface

Reception desk is sold as one unit including hardware, storage must be specified separately

Reception is shipped knocked down

Waterfall reception has a 8" overhang and is not accounted for in the width options

Waterfall Length Matrix

Station Size	Short Waterfall Length	Long Waterfall Length
72 x 72	44"	56"
72 x 84	44"	56"
72 x 96	44"	56"
84 x 72	56"	68"
84 x 84	56"	68"

Station Size	Short Waterfall Length	Long Waterfall Length
84 x 96	56"	68"
96 x 72	68"	80"
96 x 84	68"	80"
96 x 96	68"	80"

Laminate Base

Short Transaction Top

Code	Price	H	W	D
Left Hand				
R3-L0LW-S-7272-A-L	\$6163	42	72	72
R3-L0LW-S-7284-A-L	\$6346	42	72	84
R3-L0LW-S-7296-A-L	\$6774	42	72	96
R3-L0LW-S-8472-A-L	\$6421	42	84	72
R3-L0LW-S-8484-A-L	\$6744	42	84	84
R3-L0LW-S-8496-A-L	\$7080	42	84	96
R3-L0LW-S-9672-A-L	\$6810	42	96	72
R3-L0LW-S-9684-A-L	\$7150	42	96	84
R3-L0LW-S-9696-A-L	\$7508	42	96	96
Right Hand				
R3-L0LW-S-7272-A-R	\$6163	42	72	72
R3-L0LW-S-7284-A-R	\$6346	42	72	84
R3-L0LW-S-7296-A-R	\$6774	42	72	96
R3-L0LW-S-8472-A-R	\$6421	42	84	72
R3-L0LW-S-8484-A-R	\$6744	42	84	84
R3-L0LW-S-8496-A-R	\$7080	42	84	96
R3-L0LW-S-9672-A-R	\$6810	42	96	72
R3-L0LW-S-9684-A-R	\$7150	42	96	84
R3-L0LW-S-9696-A-R	\$7508	42	96	96

Long Transaction Top

Code	Price	H	W	D
Left Hand				
R3-L0LW-L-7272-A-L	\$6273	42	72	72
R3-L0LW-L-7284-A-L	\$6456	42	72	84
R3-L0LW-L-7296-A-L	\$6884	42	72	96
R3-L0LW-L-8472-A-L	\$6531	42	84	72
R3-L0LW-L-8484-A-L	\$6854	42	84	84
R3-L0LW-L-8496-A-L	\$7190	42	84	96
R3-L0LW-L-9672-A-L	\$6920	42	96	72
R3-L0LW-L-9684-A-L	\$7260	42	96	84
R3-L0LW-L-9696-A-L	\$7618	42	96	96
Right Hand				
R3-L0LW-L-7272-A-R	\$6273	42	72	72
R3-L0LW-L-7284-A-R	\$6456	42	72	84
R3-L0LW-L-7296-A-R	\$6884	42	72	96
R3-L0LW-L-8472-A-R	\$6531	42	84	72
R3-L0LW-L-8484-A-R	\$6854	42	84	84
R3-L0LW-L-8496-A-R	\$7190	42	84	96
R3-L0LW-L-9672-A-R	\$6920	42	96	72
R3-L0LW-L-9684-A-R	\$7260	42	96	84
R3-L0LW-L-9696-A-R	\$7618	42	96	96

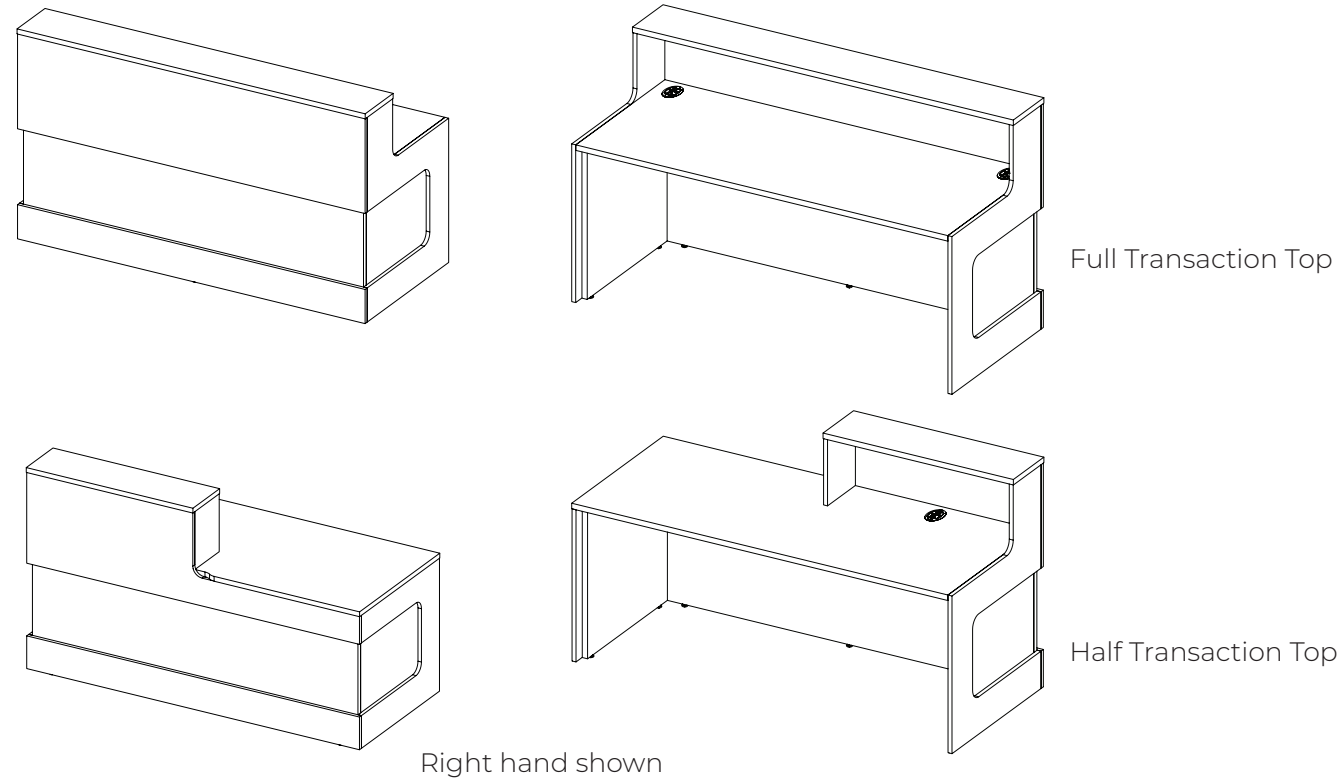
Metal Kickplate Base

Short Transaction Top

Code	Price	H	W	D
Left Hand				
R3-L0MW-S-7272-A-L	\$6878	42	72	72
R3-L0MW-S-7284-A-L	\$7061	42	72	84
R3-L0MW-S-7296-A-L	\$7489	42	72	96
R3-L0MW-S-8472-A-L	\$7136	42	84	72
R3-L0MW-S-8484-A-L	\$7459	42	84	84
R3-L0MW-S-8496-A-L	\$7795	42	84	96
R3-L0MW-S-9672-A-L	\$7525	42	96	72
R3-L0MW-S-9684-A-L	\$7865	42	96	84
R3-L0MW-S-9696-A-L	\$8223	42	96	96
Right Hand				
R3-L0MW-S-7272-A-R	\$6878	42	72	72
R3-L0MW-S-7284-A-R	\$7061	42	72	84
R3-L0MW-S-7296-A-R	\$7489	42	72	96
R3-L0MW-S-8472-A-R	\$7136	42	84	72
R3-L0MW-S-8484-A-R	\$7459	42	84	84
R3-L0MW-S-8496-A-R	\$7795	42	84	96
R3-L0MW-S-9672-A-R	\$7525	42	96	72
R3-L0MW-S-9684-A-R	\$7865	42	96	84
R3-L0MW-S-9696-A-R	\$8223	42	96	96

Long Transaction Top

Code	Price	H	W	D
Left Hand				
R3-L0MW-L-7272-A-L	\$6988	42	72	72
R3-L0MW-L-7284-A-L	\$7171	42	72	84
R3-L0MW-L-7296-A-L	\$7599	42	72	96
R3-L0MW-L-8472-A-L	\$7246	42	84	72
R3-L0MW-L-8484-A-L	\$7569	42	84	84
R3-L0MW-L-8496-A-L	\$7905	42	84	96
R3-L0MW-L-9672-A-L	\$7635	42	96	72
R3-L0MW-L-9684-A-L	\$7975	42	96	84
R3-L0MW-L-9696-A-L	\$8333	42	96	96
Right Hand				
R3-L0MW-L-7272-A-R	\$6988	42	72	72
R3-L0MW-L-7284-A-R	\$7171	42	72	84
R3-L0MW-L-7296-A-R	\$7599	42	72	96
R3-L0MW-L-8472-A-R	\$7246	42	84	72
R3-L0MW-L-8484-A-R	\$7569	42	84	84
R3-L0MW-L-8496-A-R	\$7905	42	84	96
R3-L0MW-L-9672-A-R	\$7635	42	96	72
R3-L0MW-L-9684-A-R	\$7975	42	96	84
R3-L0MW-L-9696-A-R	\$8333	42	96	96



What's Included:

One (1) complete straight border reception desk with hardware and corresponding grommets

How to Specify:

Refer to laminate swatches for laminate selections

Options:

Width: 72", 78", 84", 90", 96"

Depth: 30"

With full transaction or half transaction top

Laminate color for border shell and transaction top

Laminate color for desk core inner body and worksurface

Notes:

Available with full or half Transaction top

Full transaction tops come with three (3) grommets. Half transaction tops come with two (2) grommets

Up to two laminate colors can be chosen - one for the outer border portion, transaction top and worksurface the other for the desk core inner border portion

Reception desk is sold as one unit including hardware, storage must be specified separately

Reception is shipped knocked down

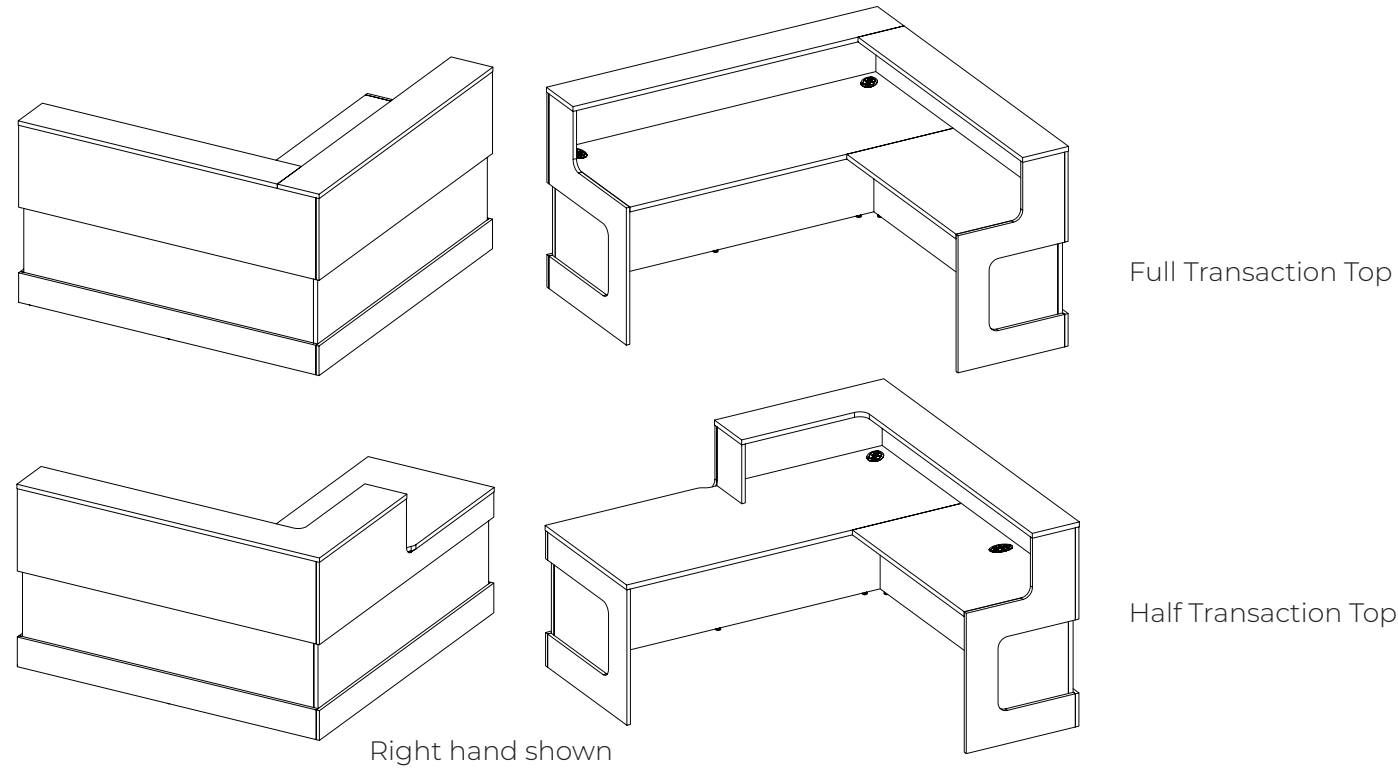
Front half transaction is 36"W for 72"W reception, 48"W for 84"W reception, and 60"W for 96"W reception

Full Transaction Top

Code	Price	H	W	D
R2-S0TF-7230	\$3776	42	72	30
R2-S0TF-7830	\$3838	42	78	30
R2-S0TF-8430	\$3960	42	84	30
R2-S0TF-9030	\$4144	42	90	30
R2-S0TF-9630	\$4266	42	96	30

Half Transaction Top

Code	Price	H	W	D
Left Hand				
R2-S0TH-7230-L	\$3666	42	72	30
R2-S0TH-7830-L	\$3728	42	78	30
R2-S0TH-8430-L	\$3850	42	84	30
R2-S0TH-9030-L	\$4034	42	90	30
R2-S0TH-9630-L	\$4156	42	96	30
Right Hand				
R2-S0TH-7230-R	\$3666	42	72	30
R2-S0TH-7830-R	\$3728	42	78	30
R2-S0TH-8430-R	\$3850	42	84	30
R2-S0TH-9030-R	\$4034	42	90	30
R2-S0TH-9630-R	\$4156	42	96	30



What's Included:

One (1) complete L-shape borderreception desk with hardware and corresponding grommets

How to Specify:

Refer to laminate swatches for laminate selections

Notes:

- Available with full or Half Transaction top
- Half Transaction top allows for parallel wheelchair access
- Full transaction tops come with three (3) grommets. Half transaction tops come with two (2) grommets
- Up to two laminate colors can be chosen - one for the outer border portion, transaction top and worksurface the other for the desk core inner border portion
- Reception desk is sold as one unit including hardware, storage must be specified separately
- Reception is shipped knocked down
- Front half transaction is 36"W for 72"W reception, 48"W for 84"W reception, and 60"W for 96"W reception

Options:

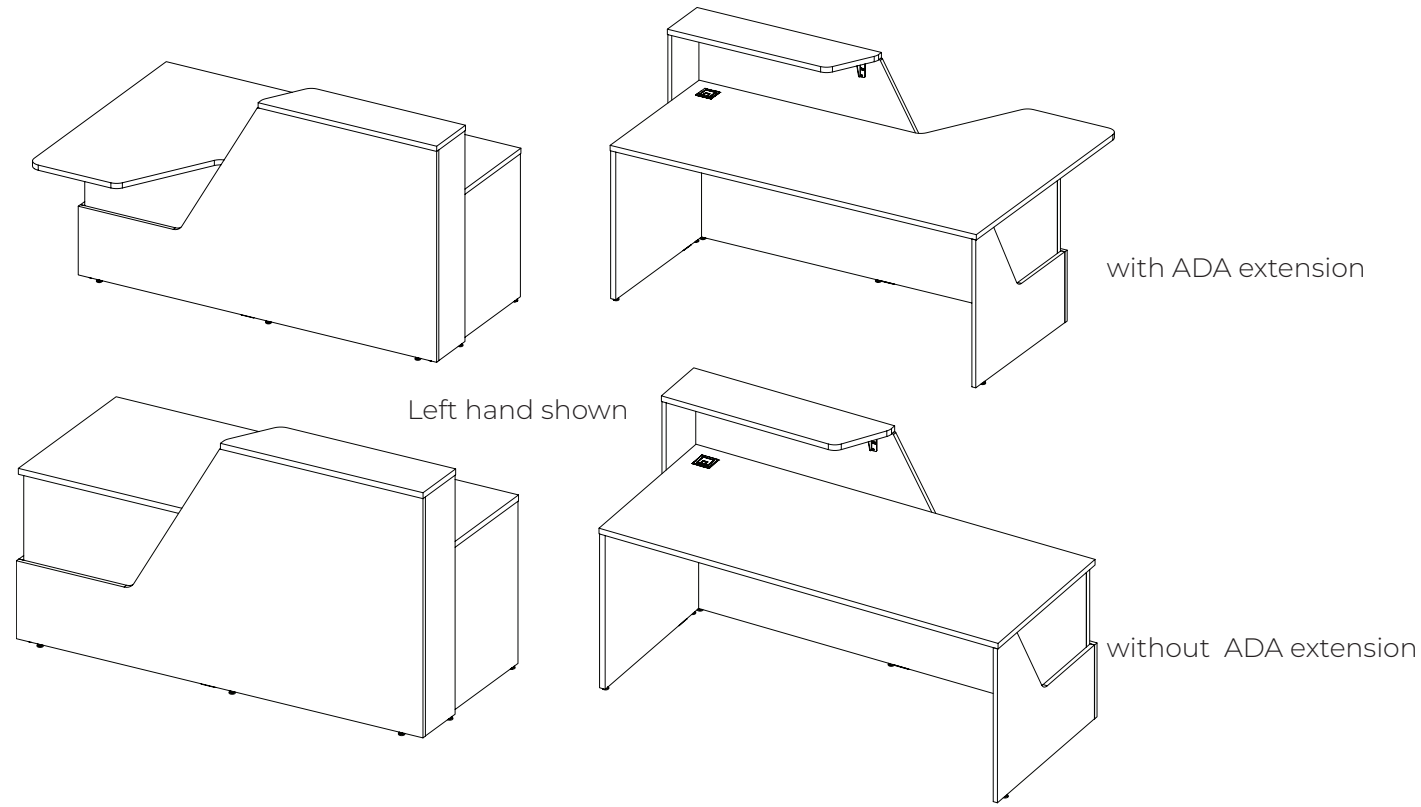
- Width: 72", 84", 96"
- Length: 72", 84", 96"
- Front worksurface depth: 30"
- Return worksurface depth: 24"
- With full transaction or Half Transaction top
- Laminate color for border shell and transaction top
- Laminate color for desk core inner body and worksurface

Full Transaction Top

Code	Price	H	W	D
Left Hand				
R2-L0TF-7272-A-L	\$6163	42	72	72
R2-L0TF-7284-A-L	\$6346	42	72	84
R2-L0TF-7296-A-L	\$6774	42	72	96
R2-L0TF-8472-A-L	\$6421	42	84	72
R2-L0TF-8484-A-L	\$6744	42	84	84
R2-L0TF-8496-A-L	\$7080	42	84	96
R2-L0TF-9672-A-L	\$6810	42	96	72
R2-L0TF-9684-A-L	\$7150	42	96	84
R2-L0TF-9696-A-L	\$7508	42	96	96
Right Hand				
R2-L0TF-7272-A-R	\$6163	42	72	72
R2-L0TF-7284-A-R	\$6346	42	72	84
R2-L0TF-7296-A-R	\$6774	42	72	96
R2-L0TF-8472-A-R	\$6421	42	84	72
R2-L0TF-8484-A-R	\$6744	42	84	84
R2-L0TF-8496-A-R	\$7080	42	84	96
R2-L0TF-9672-A-R	\$6810	42	96	72
R2-L0TF-9684-A-R	\$7150	42	96	84
R2-L0TF-9696-A-R	\$7508	42	96	96

Half Transaction Top

Code	Price	H	W	D
Left Hand				
R2-L0TH-7272-A-L	\$5943	42	72	72
R2-L0TH-7284-A-L	\$6126	42	72	84
R2-L0TH-7296-A-L	\$6554	42	72	96
R2-L0TH-8472-A-L	\$6201	42	84	72
R2-L0TH-8484-A-L	\$6524	42	84	84
R2-L0TH-8496-A-L	\$6860	42	84	96
R2-L0TH-9672-A-L	\$6590	42	96	72
R2-L0TH-9684-A-L	\$6930	42	96	84
R2-L0TH-9696-A-L	\$7288	42	96	96
Right Hand				
R2-L0TH-7272-A-R	\$5943	42	72	72
R2-L0TH-7284-A-R	\$6126	42	72	84
R2-L0TH-7296-A-R	\$6554	42	72	96
R2-L0TH-8472-A-R	\$6201	42	84	72
R2-L0TH-8484-A-R	\$6524	43	84	84
R2-L0TH-8496-A-R	\$6860	43	84	96
R2-L0TH-9672-A-R	\$6590	42	96	72
R2-L0TH-9684-A-R	\$6930	42	96	84
R2-L0TH-9696-A-R	\$7288	42	96	96



What's Included:

One (1) complete straight angled reception desk with hardware

How to Specify:

Refer to laminate swatches for laminate selections

Notes:

- Available with or without ADA
- ADA transaction surface is 48"L by 29"W and protrudes 18"D off the main surface
- Straight units come with one (1) grommet
- Up to two laminate colors can be chosen - one for the angled portion and transaction top and the other for the desk core and worksurface
- Reception desk is sold as one unit including hardware, storage must be specified separately
- Reception is shipped knocked down
- Front transaction is 36"W for 72"W reception, 42"W for 84"W reception and 54"W for 96"W reception

Options:

Width: 72", 84", 96"

Depth: 30"

With or without ADA extension

Laminate color for angled portion and transaction top

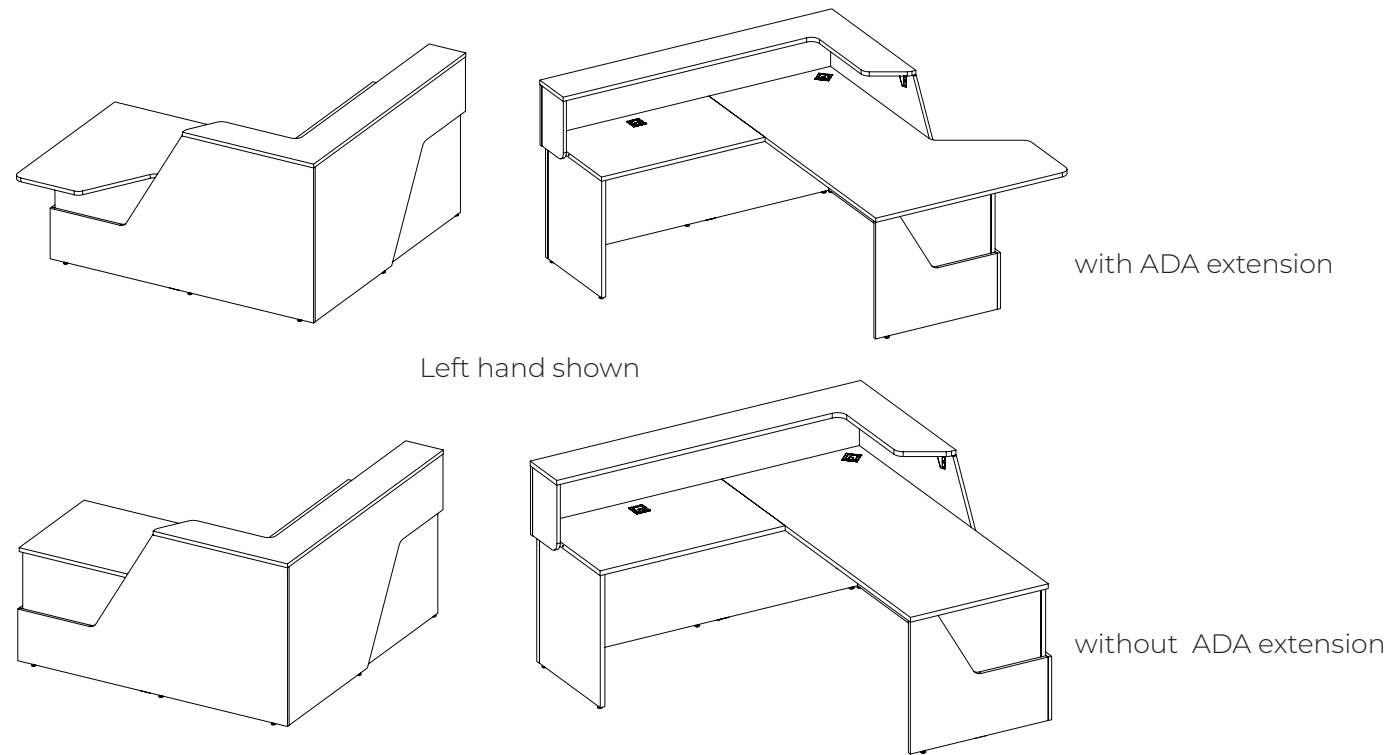
Laminate color for desk core and surface

With ADA extension

Code	Price	H	W	D
Left Hand				
R1-SATS-7230-L	\$3446	42	72	30
R1-SATS-7830-L	\$3508	42	78	30
R1-SATS-8430-L	\$3630	42	84	30
R1-SATS-9030-L	\$3814	42	90	30
R1-SATS-9630-L	\$3936	42	96	30
Right Hand				
R1-SATS-7230-R	\$3446	42	72	30
R1-SATS-7830-R	\$3508	42	78	30
R1-SATS-8430-R	\$3630	42	84	30
R1-SATS-9030-R	\$3814	42	90	30
R1-SATS-9630-R	\$3936	42	96	30

Without ADA extension

Code	Price	H	W	D
Left Hand				
R1-SNTS-7230-L	\$3364	42	72	30
R1-SNTS-7830-L	\$3425	42	78	30
R1-SNTS-8430-L	\$3548	42	84	30
R1-SNTS-9030-L	\$3731	42	90	30
R1-SNTS-9630-L	\$3853	42	96	30
Right Hand				
R1-SNTS-7230-R	\$3364	42	72	30
R1-SNTS-7830-R	\$3425	42	78	30
R1-SNTS-8430-R	\$3548	42	84	30
R1-SNTS-9030-R	\$3731	42	90	30
R1-SNTS-9630-R	\$3853	42	96	30



What's Included:

One (1) complete L-shape angled reception desk with hardware

How to Specify:

Refer to laminate swatches for laminate selections

Up to two laminate colors can be chosen - one for the angled portion and transaction top and the other for the desk core and worksurface

Notes:

Available with or without ADA extension

ADA transaction surface is 48"L by 29"W and protrudes 18"D off the main surface

L shape units come with two (2) grommets

Reception desk is sold as one unit including hardware, storage must be specified separately

Reception is shipped knocked down

User side will always have a partial transaction top to allow for ADA extension or open space for ADA parallel wheelchair access

Front transaction is 36"W for 72"W reception, 42"W for 84"W reception and 54"W for 96"W reception

Options:

Width: 72", 84", 96"

Length: 72", 84, 96"

Front worksurface depth: 30"

Return worksurface depth: 24"

With out without ADA extension

Laminate color for angled portion and transaction top

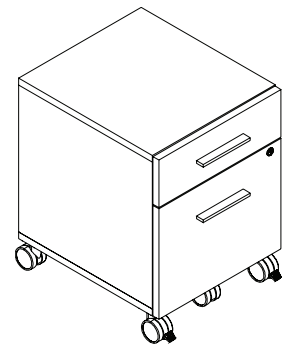
Laminate color for desk core and surface

With ADA extension

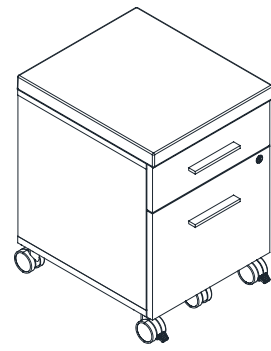
Code	Price	H	W	D
Left Hand				
R1-LATH-7272-A-L	\$5586	43	72	72
R1-LATH-7284-A-L	\$5768	42	72	84
R1-LATH-7296-A-L	\$6196	42	72	84
R1-LATH-8472-A-L	\$5843	42	84	72
R1-LATH-8484-A-L	\$6167	42	84	84
R1-LATH-8496-A-L	\$6502	42	84	96
R1-LATH-9672-A-L	\$6233	42	96	72
R1-LATH-9684-A-L	\$6573	42	96	84
R1-LATH-9696-A-L	\$6930	42	96	96
Right Hand				
R1-LATH-7272-A-R	\$5586	43	72	72
R1-LATH-7284-A-R	\$5768	42	72	84
R1-LATH-7296-A-R	\$6196	42	72	84
R1-LATH-8472-A-R	\$5843	42	84	72
R1-LATH-8484-A-R	\$6167	42	84	84
R1-LATH-8496-A-R	\$6502	42	84	96
R1-LATH-9672-A-R	\$6233	42	96	72
R1-LATH-9684-A-R	\$6573	42	96	84
R1-LATH-9696-A-R	\$6930	42	96	96

Without ADA extension

Code	Price	H	W	D
Left Hand				
R1-LNTH-7272-A-L	\$5503	43	72	72
R1-LNTH-7284-A-L	\$5686	42	72	84
R1-LNTH-7296-A-L	\$6114	42	72	84
R1-LNTH-8472-A-L	\$5761	42	84	72
R1-LNTH-8484-A-L	\$6084	42	84	84
R1-LNTH-8496-A-L	\$6420	42	84	96
R1-LNTH-9672-A-L	\$6150	42	96	72
R1-LNTH-9684-A-L	\$6490	42	96	84
R1-LNTH-9696-A-L	\$6848	42	96	96
Right Hand				
R1-LNTH-7272-A-R	\$5503	43	72	72
R1-LNTH-7284-A-R	\$5686	42	72	84
R1-LNTH-7296-A-R	\$6114	42	72	84
R1-LNTH-8472-A-R	\$5761	42	84	72
R1-LNTH-8484-A-R	\$6084	42	84	84
R1-LNTH-8496-A-R	\$6420	42	84	96
R1-LNTH-9672-A-R	\$6150	42	96	72
R1-LNTH-9684-A-R	\$6490	42	96	84
R1-LNTH-9696-A-R	\$6848	42	96	96



box/ file/no cushion



box/file w/ cushion

What's Included:

One (1) box/file mobile pedestal or one (1) box/file mobile pedestal with cushion, five (5) lockable casters

How to Specify:

- With or without cushion
- Refer to seating fabric card for cushion fabric selection
- Choose handle type and finish
- Choose depth
- Choose silver or white for caster finish

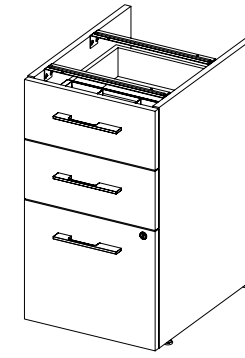
Options:

- Height: 21" without cushion, 22" with cushion
- Width: 16"
- Depth: 18"

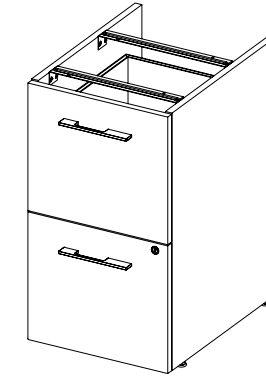
Notes:

Locks can be keyed alike or random

Code	Price	H	W	D	Weight (lb.)	Volume (ft ³)
box/file/no cushion						
RS-FPL0-211618	\$1,166.00	21	16	18		
box/file w/ cushion Grade 1 Fabric						
RS-FPLS-221618-1	\$1,213.00	22	16	18		
box/file w/ cushion Grade 2 Fabric						
RS-FPLS-221618-2	\$1,244.00	22	16	18		
box/file w/ cushion Grade 3 Fabric						
RS-FPLS-221618-3	\$1,276.00	22	16	18		
box/file w/ cushion Grade 6 Fabric						
RS-FPLS-221618-6	\$1,370.00	22	16	18		



Box/Box/File



File/File

What's Included:

One (1) box/box/file or one (1) file/file underdesk pedestal

How to Specify:

Pedestal type: box/box/file, file/file

Options:

- Height: 28"
- Width: 16"
- Depth: 21"
- Left hand, right hand, standard

Notes:

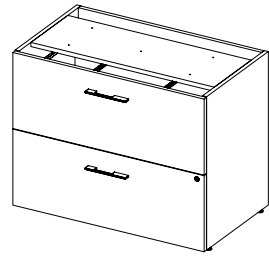
- Locks can be keyed alike or random
- Aloha must be specified as standard
- Maeva must be specified as left handed or right handed
- Karibu reception requires left hand or right hand for the side with ADA extension/open side.
- Transaction side requires standard pedestal

Box/Box/File

Code	Price	H	W	D
Left Hand				
RS-FPBU-281621-L	\$913	28	16	21
Right Hand				
RS-FPBU-281621-R	\$913	28	16	21
Standard				
RS-FPBU-281621-A	\$913	28	16	21

File/File

Code	Price	H	W	D
Left Hand				
RS-FPFU-281621-L	\$833	28	16	21
Right Hand				
RS-FPFU-281621-R	\$833	28	16	21
Standard				
RS-FPFU-281621-A	\$833	28	16	21



What's Included:

One (1) two drawer underdesk lateral filing cabinet, each drawer is equipped with two (2) bars for front to back filing

How to Specify:

Refer to laminate swatches for laminate selections

Choose handle type and finish

Notes:

Locks can be keyed alike or random

Aloha must be specified as standard

Maeva must be specified as left handed or right handed

Karibu reception requires left hand or right hand for the side with ADA extension/open side. Transaction side requires standard lateral

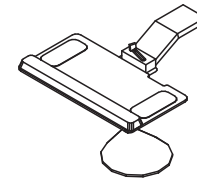
Options:

Height: 28"

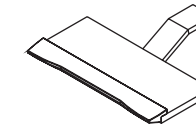
Width: 30", 36", 42"

Depth: 21"

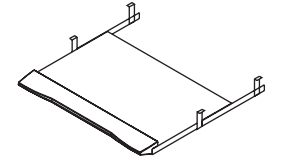
Code	Price	H	W	D
Left Hand				
RS-FL2U-283021-L	\$1410	28	30	21
RS-FL2U-283621-L	\$1460	28	36	21
RS-FL2U-284221-L	\$1540	28	42	21
Right Hand				
RS-FL2U-283021-R	\$1410	28	30	21
RS-FL2U-283621-R	\$1460	28	36	21
RS-FL2U-284221-R	\$1540	28	42	21
Standard				
RS-FL2U-283021-A	\$1410	28	30	21
RS-FL2U-283621-A	\$1460	28	36	21
RS-FL2U-284221-A	\$1540	28	42	21



Articulating Keyboard Tray w/Mouse Tray



Articulating Laminate Keyboard Tray



Retractable Laminate Keyboard Tray

How to Specify:

Each laminate comes with matching vinyl trim color unless otherwise specified on your purchase order. Refer to the laminate finish card for details.

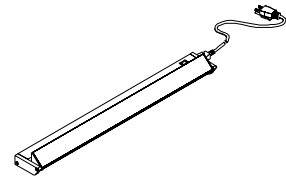
Notes:

All keyboard trays include palm rests.

Options:

laminate color (for laminate keyboard trays)

Code	Price	H	W	D	Volume (ft ³)	Weight (lb)
Articulating Keyboard Tray w/Mouse Tray						
V-KAS0-2011-L	593	0	20	11	0	3
V-KAS0-2011-R	593	0	20	11	0	3
Articulating Laminate Keyboard Tray						
V-KAS0-2510	593	0	25	10	0	15
Retractable Laminate Keyboard Tray						
V-KRS0-2516	249	0	25	16	0	12

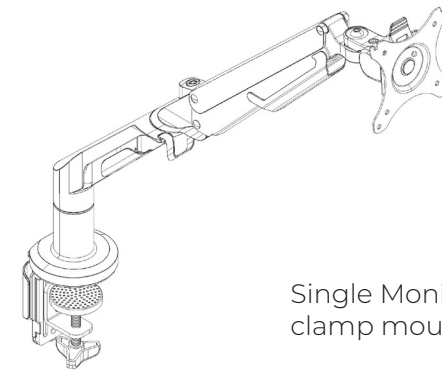


Task Light

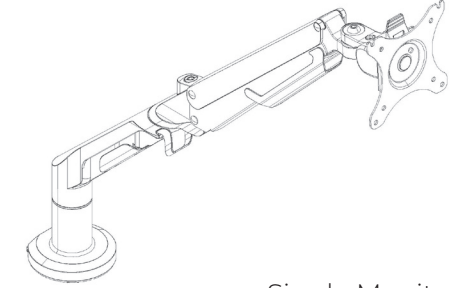
Notes:

Task light comes in black finish.

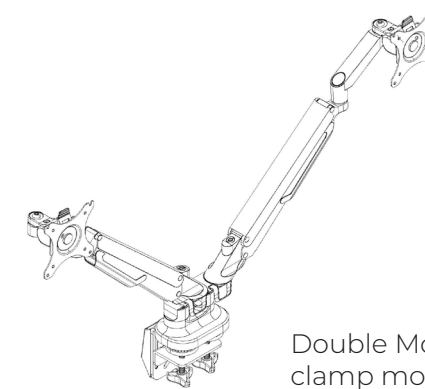
Code	Price	H	W	D	Volume (ft ³)	Weight (lb)
V-ELU-24	285	0	24	0	0	9.5
V-ELU-36	321	0	36	0	0	13.7
V-ELU-48	403	0	48	0.15	0	17.9



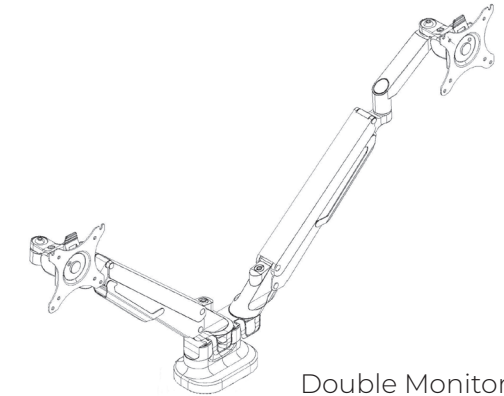
Single Monitor Arm - clamp mount



Single Monitor Arm - grommet mount



Double Monitor Arm - clamp mount



Double Monitor Arm - grommet mount

What's Included:

One monitor arm and installation hardware for both clamp and grommet mount

How to Specify:

- Specify type

Dimensions:

Vesa: 75x75 and 100x100

Notes:

Available in silver and black

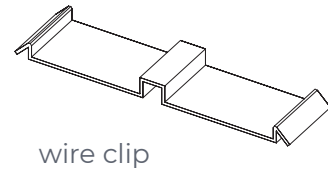
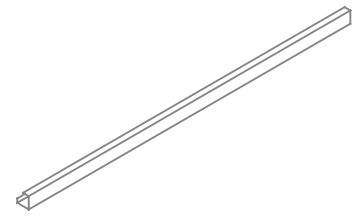
Single Monitor Arm

- Screen Size - 17"-36"
- Load Capacity - 6.6-26.4lbs/3-12kg
- Tilt Range - -90 degrees - -15 degrees

Dual Monitor Arm

- Screen Size - 17"-32"
- Load Capacity - 4.4-19.8lbs/2-9kg
- Tilt Range - -90 degrees - -15 degrees

Code	Price
Monitor Arm - Single Mount	
V-AFMA-01	353
Monitor Arm - Double Mount	
V-AFMA-02	589



What's Included:

One (1) cable manager

How to Specify:

Available in black only

Notes:

Dimensions:

length 12", 18", 24", 30", 36", 42", 48", 54", 60", 66", 72"

Code	Price	H	W	D	Weight (lb.)	Volume (ft ³)
horizontal wire manager						
V-EWHB-12	8	1.5	12	1.5	0.15	0.02
V-EWHB-18	11	1.5	18	1.5	0.25	0.02
V-EWHB-24	15	1.5	24	1.5	0.35	0.03
V-EWHB-30	19	1.5	30	1.5	0.45	0.04
V-EWHB-36	22	1.5	36	1.5	0.55	0.05
V-EWHB-42	25	1.5	42	1.5	0.65	0.05
V-EWHB-48	28	1.5	48	1.5	0.75	0.06
V-EWHB-54	31	1.5	54	1.5	0.85	0.07
V-EWHB-60	35	1.5	60	1.5	0.95	0.08
V-EWHB-66	39	1.5	66	1.5	1.05	0.09
V-EWHB-72	41	1.5	72	1.5	1.15	0.09
worksurface wire clips						
V-EWHC	37					



elephant trunk



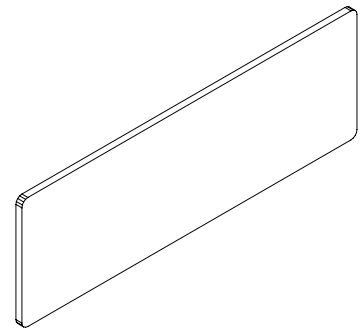
E-Chain Wire Manager

Notes:

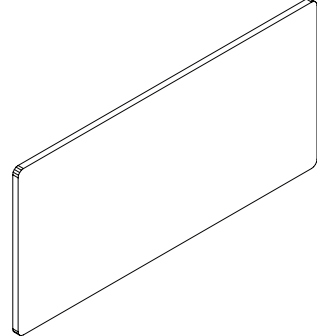
Elephant trunk is available in silver only.

E-Chain is available in black only

Code	Price	H	W	D	Volume (ft ³)	Weight (lb)
elephant trunk						
V-EE00	300	28	4	4	0.25	1
e-chain wire manager						
V-EE-28	278	28			1	1



14-inch



24-inch

What's Included:

Wall mounted tackboard, fasteners.

How to Specify:

Specify fabric.

Notes:

The wall mounted tackboard mounts to a wall in the workspace to provide a fabric wrapped tackable surface.

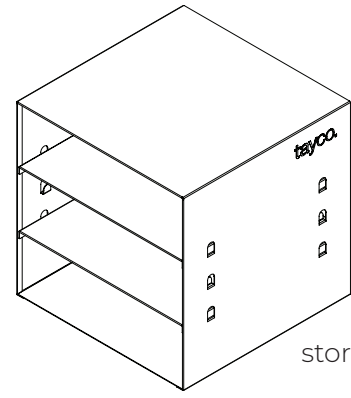
Options:

height	14, 24
width	24, 30, 36, 42, 48, 54, 60, 66, 72
screen finish	panel fabrics

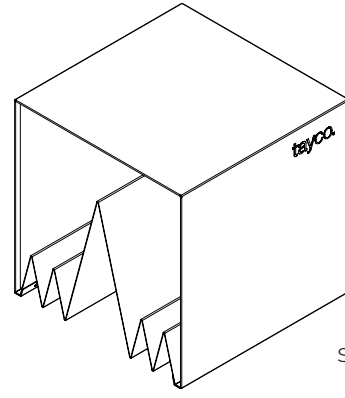
Code	Price	H (in.)	W (in.)	Weight (lb)	Volume (ft ³)
V-ATW0-1424-1	110	14	24	1.2	0.19
V-ATW0-1430-1	119	14	30	1.5	0.24
V-ATW0-1436-1	147	14	36	1.9	0.29
V-ATW0-1442-1	156	14	42	2.2	0.34
V-ATW0-1448-1	161	14	48	2.5	0.39
V-ATW0-1454-1	171	14	54	2.8	0.44
V-ATW0-1460-1	179	14	60	3.1	0.49
V-ATW0-1466-1	226	14	66	3.4	0.54
V-ATW0-1472-1	244	14	72	3.7	0.59
V-ATW0-1478-1	334	14	78	4	0.64
V-ATW0-1484-1	342	14	84	4.3	0.69
V-ATW0-1496-1	354	14	96	4.6	0.79
V-ATW0-2124-1	166	21	24	1.8	0.28
V-ATW0-2130-1	178	21	30	2.25	0.36
V-ATW0-2142-1	234	21	42	3.3	0.51
V-ATW0-2148-1	242	21	48	3.75	0.58
V-ATW0-2154-1	256	21	54	4.2	0.66
V-ATW0-2160-1	268	21	60	4.65	0.73
V-ATW0-2166-1	338	21	66	5.1	0.81
V-ATW0-2172-1	366	21	72	5.55	0.89
V-ATW0-2178-1	501	21	78	6	0.96
V-ATW0-2184-1	515	21	84	6.45	1.03
V-ATW0-2196-1	532	21	96	7.35	1.19
V-ATW0-2424-1	188	24	24	2.05	0.32
V-ATW0-2430-1	202	24	30	2.56	0.41
V-ATW0-2436-1	251	24	36	3.25	0.5
V-ATW0-2442-1	265	24	42	3.76	0.58
V-ATW0-2448-1	274	24	48	4.28	0.67
V-ATW0-2454-1	290	24	54	4.79	0.75
V-ATW0-2460-1	305	24	60	5.3	0.84
V-ATW0-2466-1	383	24	66	5.81	0.92
V-ATW0-2472-1	415	24	72	6.33	1.01
V-ATW0-2478-1	568	24	78	6.84	1.09
V-ATW0-2484-1	582	24	84	7.35	1.18
V-ATW0-2490-1	593	24	90	7.87	1.27
V-ATW0-2496-1	603	24	96	8.38	1.35

Code	Price	H (in.)	W (in.)	Weight (lb)	Volume (ft ³)
V-ATW0-1424-2	141	14	24	1.2	0.19
V-ATW0-1430-2	149	14	30	1.5	0.24
V-ATW0-1436-2	208	14	36	1.9	0.29
V-ATW0-1442-2	217	14	42	2.2	0.34
V-ATW0-1448-2	221	14	48	2.5	0.39
V-ATW0-1454-2	231	14	54	2.8	0.44
V-ATW0-1460-2	240	14	60	3.1	0.49
V-ATW0-1466-2	316	14	66	3.4	0.54
V-ATW0-1472-2	336	14	72	3.7	0.59
V-ATW0-1478-2	425	14	78	4	0.64
V-ATW0-1484-2	433	14	84	4.3	0.69
V-ATW0-1490-2	439	14	90	4.6	0.74
V-ATW0-1496-2	475	14	96	4.9	0.79
V-ATW0-2124-2	196	21	24	1.8	0.28
V-ATW0-2130-2	208	21	30	2.25	0.36
V-ATW0-2136-2	282	21	36	2.85	0.43
V-ATW0-2142-2	295	21	42	3.3	0.51
V-ATW0-2148-2	303	21	48	3.75	0.58
V-ATW0-2154-2	317	21	54	4.2	0.66
V-ATW0-2160-2	329	21	60	4.65	0.73
V-ATW0-2166-2	428	21	66	5.1	0.81
V-ATW0-2172-2	458	21	72	5.55	0.89
V-ATW0-2178-2	592	21	78	6	0.96
V-ATW0-2184-2	605	21	84	6.45	1.03
V-ATW0-2190-2	614	21	90	6.9	1.11
V-ATW0-2196-2	653	21	96	7.35	1.19
V-ATW0-2424-2	218	24	24	2.05	0.32
V-ATW0-2430-2	232	24	30	2.56	0.41
V-ATW0-2436-2	311	24	36	3.25	0.5
V-ATW0-2442-2	326	24	42	3.76	0.58
V-ATW0-2448-2	334	24	48	4.28	0.67
V-ATW0-2454-2	351	24	54	4.79	0.75
V-ATW0-2460-2	365	24	60	5.3	0.84
V-ATW0-2466-2	473	24	66	5.81	0.92
V-ATW0-2472-2	506	24	72	6.33	1.01
V-ATW0-2478-2	658	24	78	6.84	1.09
V-ATW0-2484-2	673	24	84	7.35	1.18
V-ATW0-2490-2	684	24	90	7.87	1.27
V-ATW0-2496-2	724	24	96	8.38	1.35

Code	Price	H (in.)	W (in.)	Weight (lb)	Volume (ft ³)
V-ATW0-1424-3	171	14	24	1.2	0.19
V-ATW0-1430-3	179	14	30	1.5	0.24
V-ATW0-1436-3	268	14	36	1.9	0.29
V-ATW0-1442-3	277	14	42	2.2	0.34
V-ATW0-1448-3	282	14	48	2.5	0.39
V-ATW0-1454-3	292	14	54	2.8	0.44
V-ATW0-1460-3	300	14	60	3.1	0.49
V-ATW0-1466-3	407	14	66	3.4	0.54
V-ATW0-1472-3	426	14	72	3.7	0.59
V-ATW0-1478-3	516	14	78	4	0.64
V-ATW0-1484-3	524	14	84	4.3	0.69
V-ATW0-1490-3	530	14	90	4.6	0.74
V-ATW0-1496-3	536	14	96	4.9	0.79
V-ATW0-2124-3	227	21	24	1.8	0.28
V-ATW0-2130-3	239	21	30	2.25	0.36
V-ATW0-2136-3	342	21	36	2.85	0.43
V-ATW0-2142-3	355	21	42	3.3	0.51
V-ATW0-2148-3	363	21	48	3.75	0.58
V-ATW0-2154-3	377	21	54	4.2	0.66
V-ATW0-2160-3	389	21	60	4.65	0.73
V-ATW0-2166-3	519	21	66	5.1	0.81
V-ATW0-2172-3	548	21	72	5.55	0.89
V-ATW0-2178-3	682	21	78	6	0.96
V-ATW0-2184-3	696	21	84	6.45	1.03
V-ATW0-2190-3	704	21	90	6.9	1.11
V-ATW0-2196-3	714	21	96	7.35	1.19
V-ATW0-2424-3	249	24	24	2.05	0.32
V-ATW0-2430-3	263	24	30	2.56	0.41
V-ATW0-2436-3	372	24	36	3.25	0.5
V-ATW0-2442-3	386	24	42	3.76	0.58
V-ATW0-2448-3	395	24	48	4.28	0.67
V-ATW0-2454-3	411	24	54	4.79	0.75
V-ATW0-2460-3	426	24	60	5.3	0.84
V-ATW0-2466-3	564	24	66	5.81	0.92
V-ATW0-2472-3	596	24	72	6.33	1.01
V-ATW0-2478-3	749	24	78	6.84	1.09
V-ATW0-2484-3	763	24	84	7.35	1.18
V-ATW0-2490-3	774	24	90	7.87	1.27
V-ATW0-2496-3	784	24	96	8.38	1.35



storage cube (shelf)



storage cube (sorter)

What's Included:

Shelf: Storage cube (1) and two shelf inserts (2).
 Sorter: Storage cube (1) and an insert (1).

How to Specify:

Available in a variety of powder coat finish colors. Refer to the samples presented on Tayco metal finish card.
 Storage cube outer shell and insert are available in a variety of color combinations.

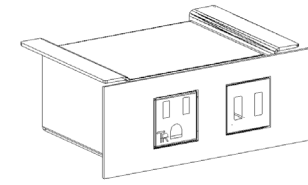
Notes:

Storage cube can hold multiple folders and papers.

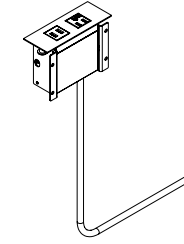
Color combination Options:

Insert Color	OUTER SHELL COLOR							
	P121 white	P112 silver	P114 black	P200 sunrise	P201 tropic	P202 vineyard	P203 sky	P204 meadow
P121 white	✓	✓	✓	✓	✓	✓	✓	✓
P112 silver	✓	✓	✓	✓	✓	✓	✓	✓
P114 black	✓	✓	✓	✓	✓	✓	✓	✓
P200 sunrise	✓	✓	✓	✓				
P201 tropic	✓	✓	✓		✓			
P202 vineyard	✓	✓	✓			✓		
P203 sky	✓	✓	✓				✓	
P204 meadow	✓	✓	✓					✓

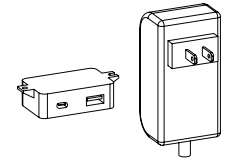
Code	Price	H (in.)	W (in.)	D 1 (in.)	Weight (lb)	Volume (ft ³)
storage cube (shelf)						
V-ACSF	358	12	12	12	8	1
storage cube (sorter)						
V-ACSR	289	12	12	12	8	1



Side Mounted, 1 Outlet + Dual USB Ports

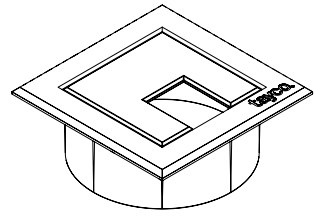


Side Mounted Module With Power And USB

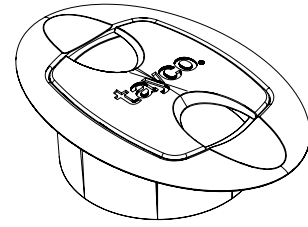


Side Mounted USB A & C, 1 Module, with AC Adapter

Code	Price	H	W	D	Volume	Weight
side Mounted USB, 1 Module, With AC Adapter						
V-ESMU-A	169				2	2
side Mounted USB, 4 Module, With Hub						
V-ESMU-K	939				2	2
side Mounted Module With Power And USB						
V-ESMU-P	245				2	2



square grommet cover



oval grommet cover

Notes:

Square Grommet covers available in black, silver and white.

Oval Grommet covers available in black and silver

Code	Price	H	W	D	Volume (ft ³)	Weight (lb)
square grommet covers						
8540-1132	20	1.25	3.13	3.13	0	0.44
8540-1133	20	1.25	3.13	3.13	0	0.44
8540-1134	20	1.25	3.13	3.13	0	0.44
oval grommet covers						
8540-0790	20	1.13	3	4.75	0	0.44
8540-0791	20	1.13	3	4.75	0	0.44

Code	Price	H	W	D	Volume (ft ³)	Weight (lb)
lock and key						
GEN-LOCK-CORE-KEY	19					