

**What's Included:**

- 1" thick rectangular top
- Sizes: 60"-96: 1-piece top, 4 A-legs with removable infill
- Sizes: 108"-144: 2-piece top, 4 A-legs with removable infill and mid plinth
- Reinforcement bar(s)
- Optional Electrics

In-surface powered option comes with one grommet per table piece with 2 AC outlets, dual USB-A chargers, and a blank slot to add an optional HDMI, RJ11, or RJ45 (see [page 178](#) for more options)

**How to Specify:**

Table is sold with base

Each laminate comes with matching vinyl trim unless otherwise specified on the order cover sheet

Infill can match the paint finish of the A-leg or can be specified in a different finish

**Options:**

Widths: 60", 72", 84", 96", 108", 120", 132", 144"

Depths: 30", 36", 42", 48"

Worksurface Laminate

A-Leg paint

A-Leg infill paint

Electrics

**Notes:**

Table corners have 4" radius

Table legs come with adjustable glides up to 1/2"

A-leg has removable infill for wire management capabilities

One of the A-Legs will come with an infill with a small hole to run wires out the bottom

Reinforcement bars have wire management capabilities

Optional Electrics

In-surface power+USB module available, offered in silver finish

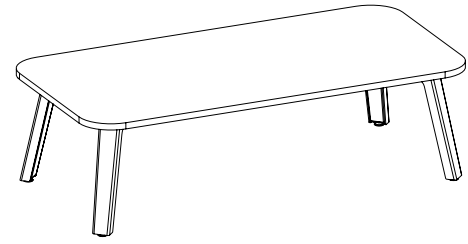
Optional side-mount USB module, offered in black finish

**No Power**

Code	Price	H	W	D	Vol.	Wt.
H-MRAN-296030	2006	29	60	30	4	52
H-MRAN-296036	2065	29	60	36	4	63
H-MRAN-296042	2235	29	60	42	5	73
H-MRAN-296048	2284	29	60	48	6	84
H-MRAN-297230	2093	29	72	30	4	63
H-MRAN-297236	2156	29	72	36	5	75
H-MRAN-297242	2262	29	72	42	6	88
H-MRAN-297248	2390	29	72	48	6	88
H-MRAN-298430	2166	29	84	30	5	73
H-MRAN-298436	2235	29	84	36	6	88
H-MRAN-298442	2421	29	84	42	7	102
H-MRAN-298448	2482	29	84	48	8	117
H-MRAN-299630	2289	29	96	30	6	84
H-MRAN-299636	2364	29	96	36	7	100
H-MRAN-299642	2556	29	96	42	8	117
H-MRAN-299648	2625	29	96	48	9	134
H-MRAN-2910830	3449	29	108	30	7	94
H-MRAN-2910836	3531	29	108	36	8	113
H-MRAN-2910842	3982	29	108	42	9	132
H-MRAN-2910848	3997	29	108	48	10	150
H-MRAN-2912030	3585	29	120	30	7	104
H-MRAN-2912036	3678	29	120	36	9	125
H-MRAN-2912042	4153	29	120	42	10	146
H-MRAN-2912048	4169	29	120	48	12	167
H-MRAN-2913230	3622	29	132	30	8	115
H-MRAN-2913236	3719	29	132	36	10	138
H-MRAN-2913242	4223	29	132	42	11	161
H-MRAN-2913248	4237	29	132	48	13	184
H-MRAN-2914430	3730	29	144	30	9	125
H-MRAN-2914436	3835	29	144	36	10	150
H-MRAN-2914442	4364	29	144	42	12	175
H-MRAN-2914448	4377	29	144	48	14	200

**Power**

Code	Price	H	W	D	Vol.	Wt.
H-MRAP-296030	2973	29	60	30	4	52
H-MRAP-296036	3029	29	60	36	4	63
H-MRAP-296042	3204	29	60	42	5	73
H-MRAP-296048	3252	29	60	48	6	84
H-MRAP-297230	3061	29	72	30	4	63
H-MRAP-297236	3123	29	72	36	5	75
H-MRAP-297242	3229	29	72	42	6	88
H-MRAP-297248	3358	29	72	48	7	100
H-MRAP-298430	3133	29	84	30	5	73
H-MRAP-298436	3204	29	84	36	6	88
H-MRAP-298442	3387	29	84	42	7	102
H-MRAP-298448	3450	29	84	48	8	117
H-MRAP-299630	3256	29	96	30	6	84
H-MRAP-299636	3331	29	96	36	7	100
H-MRAP-299642	3523	29	96	42	8	117
H-MRAP-299648	3593	29	96	48	9	134
H-MRAP-2910830	5954	29	108	30	7	94
H-MRAP-2910836	6040	29	108	36	8	113
H-MRAP-2910842	6489	29	108	42	9	132
H-MRAP-2910848	6505	29	108	48	10	150
H-MRAP-2912030	6094	29	120	30	7	104
H-MRAP-2912036	6184	29	120	36	9	125
H-MRAP-2912042	6662	29	120	42	10	146
H-MRAP-2912048	6675	29	120	48	12	167
H-MRAP-2913230	6133	29	132	30	8	115
H-MRAP-2913236	6227	29	132	36	10	138
H-MRAP-2913242	6730	29	132	42	11	161
H-MRAP-2913248	6744	29	132	48	11	184
H-MRAP-2914430	6239	29	144	30	9	125
H-MRAP-2914436	6340	29	144	36	10	150
H-MRAP-2914442	6870	29	144	42	12	175
H-MRAP-2914448	6885	29	144	48	14	200



Coffee Table

**What's Included:**

- 3/4" thick rectangular top
- 4 A-legs with infill

**How to Specify:**

Table is sold with base

Each laminate comes with matching vinyl trim unless otherwise specified on the order cover sheet

Infill can match the paint finish of the A-leg or can be specified in a different finish

**Notes:**

Table corners have 4" radius

Table legs come with adjustable glides up to 1/2"

A-leg has removable infill for wire management capabilities

One of the A-Legs will come with an infill with a small hole to run wires out the bottom

**Options:**

24"D: Widths: 36", 42", 48", 54", 60"

30"D: Widths: 48", 54", 60"

36"D: Widths: 60"

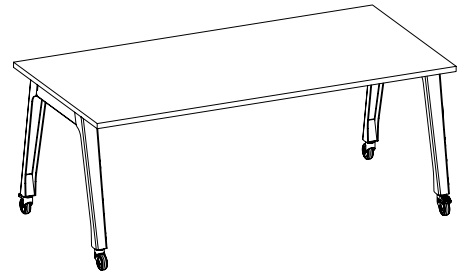
Height: 14"

Worksurface Laminate

A-Leg paint finish

A-Leg infill paint finish

Code	Price	H	W	D	Volume	Weight
H-TRAN-143624	1120	14	36	24	1	12
H-TRAN-144224	1134	14	42	24	1	14
H-TRAN-144824	1146	14	48	24	1	16
H-TRAN-144830	1174	14	48	30	1	20
H-TRAN-145424	1161	14	54	24	1	18
H-TRAN-145430	1194	14	54	30	2	23
H-TRAN-146024	1175	14	60	24	1	20
H-TRAN-146030	1210	14	60	30	2	25
H-TRAN-146036	1243	14	60	36	2	30



Mobile Table

**What's Included:**

- 1" thick rectangular top
- 4 A-legs with caster cover
- 4 casters

**How to Specify:**

Table is sold with base and casters

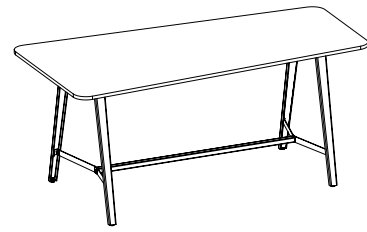
**Notes:**

Table corners have 4" radius  
 One of the A-Legs will come with an infill with a small hole to run wires out the bottom

**Options:**

- 24"D: Widths: 36", 42", 48", 54", 60", 72"
- 30"D: Widths: 48", 54", 60", 72"
- 36"D: Widths: 60", 72"
- Height: 29"
- Worksurface Laminate
- A-Leg paint finish
- A-Leg caster cover paint

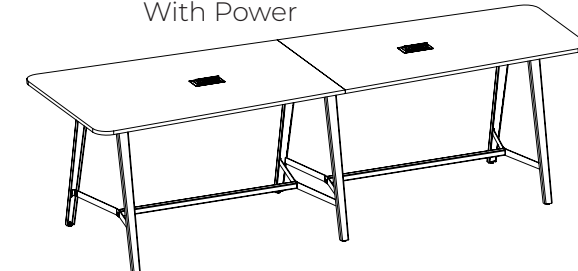
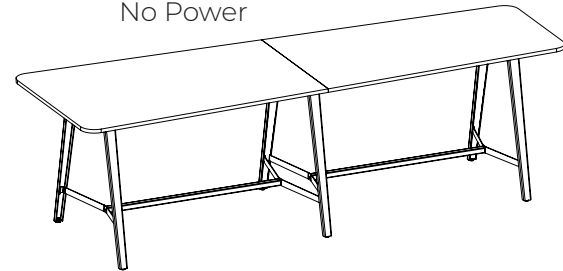
Code	Price	H	W	D	Volume	Weight
H-ZRAN-293624	1328	29	36	24	2	25
H-ZRAN-294224	1341	29	42	24	2	29
H-ZRAN-294824	1780	29	48	24	2	33
H-ZRAN-295424	1807	29	54	24	3	38
H-ZRAN-296024	1843	29	60	24	3	42
H-ZRAN-297224	1904	29	72	24	3	50
H-ZRAN-294830	2081	29	48	30	3	42
H-ZRAN-295430	2129	29	54	30	3	47
H-ZRAN-296030	2188	29	60	30	4	52
H-ZRAN-297230	2289	29	72	30	4	63
H-ZRAN-296036	2272	29	60	36	4	63
H-ZRAN-297236	2379	29	72	36	5	75



No Power



With Power



**What's Included:**

- 1" thick video top
- Sizes: 60"-96": 1-piece top, 4 A-legs with removable infill
- Sizes: 108"-144": Sizes: 108"-144": 2-piece top, 6 A-legs with removable infill
- Reinforcement bar(s)
- Optional Electrics
  - In-surface powered option comes with one grommet per table piece with 2 AC outlets, dual USB-A chargers, and a blank slot to add an optional HDMI, RJ11, or RJ45 (see [page 178](#) for more options)

**How to Specify:**

Table is sold with base

Each laminate comes with matching vinyl trim unless otherwise specified on the order cover sheet

Infill can match the paint finish of the A-leg or can be specified in a different finish

**Notes:**

- Table corners have 4" radius
- Table legs come with adjustable glides up to 1/2"
- A-leg has removable infill for wire management capabilities
- One of the A-Legs will come with an infill with a small hole to run wires out the bottom
- Reinforcement bars have wire management capabilities
- Optional Electrics
  - In-surface power+USB module available, offered in silver finish
  - Optional side-mount USB module, offered in black finish

**Options:**

Widths: 72", 84", 96", 108", 120", 132", 144"

Depths: 48"

Worksurface Laminate

A-Leg paint

A-Leg infill paint

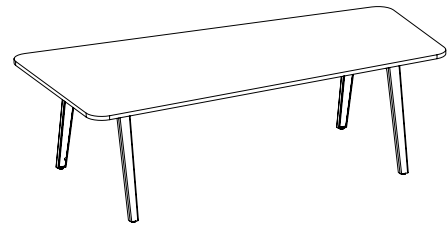
Electrics

**No Power**

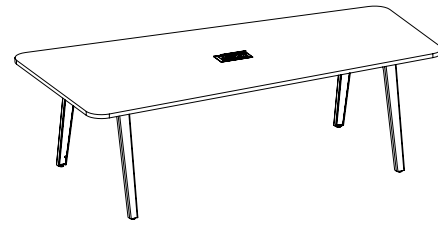
Code	Price	H	W	D	Vol.	Wt.
H-MVAN-427248	3023	42	72	48	10	138
H-MVAN-428448	3116	42	84	48	11	161
H-MVAN-429648	3266	42	96	48	13	184
H-MVAN-4210848	5013	42	108	48	14	207
H-MVAN-4212048	5190	42	120	48	16	230
H-MVAN-4213248	5291	42	132	48	18	253
H-MVAN-4214448	5437	42	144	48	19	276

**Power**

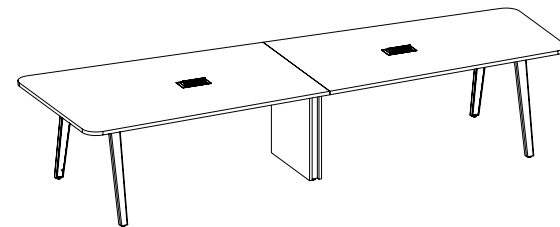
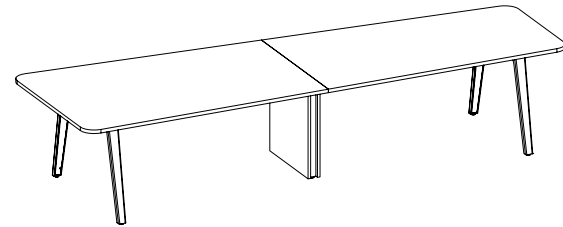
Code	Price	H	W	D	Vol.	Wt.
H-MVAP-427248	3990	42	72	48	10	138
H-MVAP-428448	4084	42	84	48	11	161
H-MVAP-429648	4233	42	96	48	13	184
H-MVAP-4210848	7521	42	108	48	14	207
H-MVAP-4212048	7697	42	120	48	16	230
H-MVAP-4213248	7799	42	132	48	18	253
H-MVAP-4214448	7945	42	144	48	19	276



No Power



With Power



**What's Included:**

- 1" thick video top
- Sizes: 60"-96: 1-piece top, 4 A-legs with removable infill
- Sizes: 108"-144: 2-piece top, 4 A-legs with removable infill and mid plinth
- Reinforcement bar(s)
- Optional Electrics

In-surface powered option comes with one grommet per table piece with 2 AC outlets, dual USB-A chargers, and a blank slot to add an optional HDMI, RJ11, or RJ45 (see [page 178](#) for more options)

**How to Specify:**

Table is sold with base

Each laminate comes with matching vinyl trim unless otherwise specified on the order cover sheet

Infill can match the paint finish of the A-leg or can be specified in a different finish

**Options:**

Widths: 72", 84", 96", 108", 120", 132", 144"

Depths: 42", 48"

Worksurface Laminate

A-Leg paint

A-Leg infill paint

Electrics

**Notes:**

Table corners have 4" radius

Table legs come with adjustable glides up to 1/2"

A-leg has removable infill for wire management capabilities

One of the A-Legs will come with an infill with a small hole to run wires out the bottom

Reinforcement bars have wire management capabilities

Optional Electrics

In-surface power+USB module available, offered in silver finish

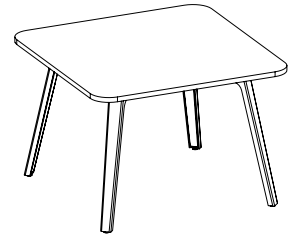
Optional side-mount USB module, offered in black finish

**No Power**

Code	Price	H	W	D	Vol.	Wt.
H-MVAN-297242	2214	29	72	42	6	88
H-MVAN-297248	2334	29	72	48	7	100
H-MVAN-298442	2298	29	84	42	7	102
H-MVAN-298448	2424	29	84	48	8	117
H-MVAN-299642	2434	29	96	42	8	117
H-MVAN-299648	2567	29	96	48	9	134
H-MVAN-2910842	3715	29	108	42	9	132
H-MVAN-2910848	3827	29	108	48	10	150
H-MVAN-2912042	3884	29	120	42	10	146
H-MVAN-2912048	4000	29	120	48	12	167
H-MVAN-2913242	3956	29	132	42	11	161
H-MVAN-2913248	4067	29	132	48	13	184
H-MVAN-2914442	4096	29	144	42	12	175
H-MVAN-2914448	4208	29	144	48	14	200

**Power**

Code	Price	H	W	D	Vol.	Wt.
H-MVAP-297242	3181	29	72	42	6	88
H-MVAP-297248	3301	29	72	48	7	100
H-MVAP-298442	3265	29	84	42	7	102
H-MVAP-298448	3391	29	84	48	8	117
H-MVAP-299642	3402	29	96	42	8	117
H-MVAP-299648	3534	29	96	48	9	134
H-MVAP-2910842	6219	29	108	42	9	132
H-MVAP-2910848	6335	29	108	48	10	150
H-MVAP-2912042	6393	29	120	42	10	146
H-MVAP-2912048	6505	29	120	48	12	167
H-MVAP-2913242	6460	29	132	42	11	161
H-MVAP-2913248	6577	29	132	48	13	184
H-MVAP-2914442	6601	29	144	42	12	175
H-MVAP-2914448	6713	29	144	48	14	200



**What's Included:**

- 1" thick square top
- 4 A-legs with removable infill

**How to Specify:**

Table is sold with base

Each laminate comes with matching vinyl trim unless otherwise specified on the order cover sheet

Infill can match the paint finish of the A-leg or can be specified in a different finish

**Notes:**

Table corners have 4" radius

Table legs come with adjustable glides up to 1/2"

A-leg has removable infill for wire management capabilities

One of the A-Legs will come with an infill with a small hole to run wires out the bottom

**Options:**

Widths: 36", 42", 48"

Depths: 36", 42", 48"

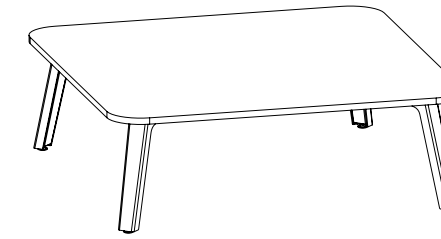
Worksurface Laminate

A-Leg paint

A-Leg infill paint

Electrics

Code	Price	H	W	D	Volume	Weight
H-MSAN-293636	2092	29	36	36	3	38
H-MSAN-294242	2113	29	42	42	4	51
H-MSAN-294848	2130	29	48	48	5	67



Coffee Table

**What's Included:**

- 3/4" thick square top
- 4 A-legs with infill

**How to Specify:**

Table is sold with base

Each laminate comes with matching vinyl trim unless otherwise specified on the order cover sheet

Infill can match the paint finish of the A-leg or can be specified in a different finish

**Notes:**

Table corners have 4" radius

Table legs come with adjustable glides up to 1/2"

A-leg has removable infill for wire management capabilities

**Options:**

Depths: 30", 36", 42", 48"

Height: 14"

Worksurface Laminate

A-Leg paint finish

A-Leg infill paint finish

Code	Price	H	W	D	Volume	Weight
H-TSAN-143030	1122	14	30	30	1	13
H-TSAN-143636	1159	14	36	36	1	18
H-TSAN-144242	1279	14	42	42	2	25
H-TSAN-144848	1311	14	48	48	2	32



**What's Included:**

- 1" circle top
- 3 A-legs with removable infill

**How to Specify:**

Table is sold with base

Each laminate comes with matching vinyl trim unless otherwise specified on the order cover sheet

Infill can match the paint finish of the A-leg or can be specified in a different finish

**Notes:**

Table corners have 4" radius

Table legs come with adjustable glides up to 1/2"

A-leg has removable infill for wire management capabilities

One of the A-Legs will come with an infill with a small hole to run wires out the bottom

**Options:**

Widths: 36", 42", 48"

Depths: 36", 42", 48"

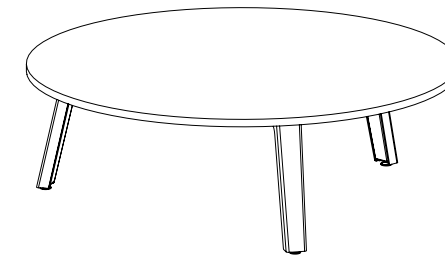
Worksurface Laminate

A-Leg paint

A-Leg infill paint

Electrics

Code	Price	H	W	D	Volume	Weight
H-MOAN-293636	1529	29	36	36	3	38
H-MOAN-294242	1751	29	42	42	4	51
H-MOAN-294848	1766	29	48	48	5	67



Coffee Table

**What's Included:**

- 3/4" thick circle top
- 3 A-legs with infill

**How to Specify:**

Table is sold with base

Each laminate comes with matching vinyl trim unless otherwise specified on the order cover sheet

Infill can match the paint finish of the A-leg or can be specified in a different finish

**Notes:**

Table corners have 4" radius

Table legs come with adjustable glides up to 1/2"

A-leg has removable infill for wire management capabilities

**Options:**

Depths: 30", 36", 42", 48"

Height: 14"

Worksurface Laminate

A-Leg paint finish

A-Leg infill paint finish

Code	Price	H	W	D	Volume	Weight
H-TOAN-143030	914	14	30	30	1	13
H-TOAN-143636	1037	14	36	36	1	18
H-TOAN-144242	1073	14	42	42	2	25
H-TOAN-144848	1103	14	48	48	2	32





**What's Included:**

- 1" squircle top
- 4 A-legs with removable infill

**How to Specify:**

Table is sold with base

Each laminate comes with matching vinyl trim unless otherwise specified on the order cover sheet

Infill can match the paint finish of the A-leg or can be specified in a different finish

**Notes:**

Table corners have 4" radius

Table legs come with adjustable glides up to 1/2"

A-leg has removable infill for wire management capabilities

One of the A-Legs will come with an infill with a small hole to run wires out the bottom

**Options:**

Widths: 36", 42", 48"

Depths: 36", 42", 48"

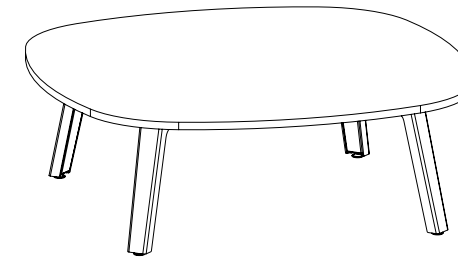
Worksurface Laminate

A-Leg paint

A-Leg infill paint

Electrics

Code	Price	H	W	D	Volume	Weight
H-MQAN-293636	1946	29	36	36	3	38
H-MQAN-294242	2167	29	42	42	4	51
H-MQAN-294848	2180	29	48	48	5	67



Coffee Table

**What's Included:**

- 3/4" thick squircle top
- 4 A-legs with infill

**How to Specify:**

Table is sold with base

Each laminate comes with matching vinyl trim unless otherwise specified on the order cover sheet

Infill can match the paint finish of the A-leg or can be specified in a different finish

**Notes:**

Table corners have 4" radius

Table legs come with adjustable glides up to 1/2"

A-leg has removable infill for wire management capabilities

**Options:**

Depths: 30", 36", 42", 48"

Height: 14"

Worksurface Laminate

A-Leg paint finish

A-Leg infill paint finish

Code	Price	H	W	D	Volume	Weight
H-TQAN-143030	1146	14	30	30	1	13
H-TQAN-143636	1272	14	36	36	1	18
H-TQAN-144242	1305	14	42	42	2	25
H-TQAN-144848	1339	14	48	48	2	32





**What's Included:**

- 1" trilobe top
- 3 A-legs with removable infill

**How to Specify:**

Table is sold with base

Each laminate comes with matching vinyl trim unless otherwise specified on the order cover sheet

Infill can match the paint finish of the A-leg or can be specified in a different finish

**Notes:**

Table corners have 4" radius

Table legs come with adjustable glides up to 1/2"

A-leg has removable infill for wire management capabilities

One of the A-Legs will come with an infill with a small hole to run wires out the bottom

**Options:**

Widths: 36", 42", 48"

Depths: 36", 42", 48"

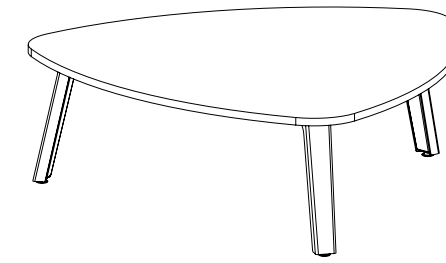
Worksurface Laminate

A-Leg paint

A-Leg infill paint

Electrics

Code	Price	H	W	D	Volume	Weight
H-MTAN-293636	1529	29	36	36	3	38
H-MTAN-294242	1751	29	42	42	4	51
H-MTAN-294848	1766	29	48	48	4	51



Coffee Table

**What's Included:**

- 3/4" thick trilobe top
- 3 A-legs with infill

**How to Specify:**

Table is sold with base

Each laminate comes with matching vinyl trim unless otherwise specified on the order cover sheet

Infill can match the paint finish of the A-leg or can be specified in a different finish

**Notes:**

Table corners have 4" radius

Table legs come with adjustable glides up to 1/2"

A-leg has removable infill for wire management capabilities

**Options:**

Depths: 30", 36", 42", 48"

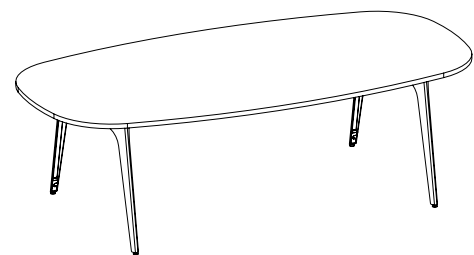
Height: 14"

Worksurface Laminate

A-Leg paint finish

A-Leg infill paint finish

Code	Price	H	W	D	Volume	Weight
H-TTAN-143030	914	14	30	30	1	13
H-TTAN-143636	1037	14	36	36	1	18
H-TTAN-144242	1073	14	42	42	2	25
H-TTAN-144848	1103	14	48	48	2	32



No Power



With Power

**What's Included:**

- 1" thick super ellipse top
- 4 V-legs with magnetic wire escape
- Reinforcement bar(s)
- Optional Electrics

In-surface powered option comes with one grommet per table piece with 2 AC outlets, dual USB-A chargers, and a blank slot to add an optional HDMI, RJ11, or RJ45 (see [page 178](#) for more options)

If in-surface power option is specified, wire management strips are included in the V-legs

Side-mount USB option comes with 2 USB-A chargers (see [page 178](#) for more options)

**How to Specify:**

Table is sold with base

Each laminate comes with matching vinyl trim unless otherwise specified on the order cover sheet

**Notes:**

Table corners have 4" radius

Table legs come with adjustable glides up to 1/2"

48" and 54"W are finish offered in 30"D

Magnetic wire escape offered in charcoal finish

Reinforcement bars have wire management capabilities

Optional Electrics

In-surface power+USB module available, offered in silver finish

Optional side-mount USB module, offered in black finish

**Options:**

Depths: 36", 42", 48"

Widths: 72", 84", 96"

Height: 42"

Worksurface Laminate

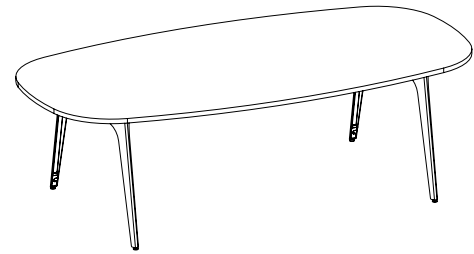
V-leg paint finish

**No Power**

Code	Price	H	W	D	Vol.	Wt.
H-MEVN-427242	2726	42	72	42	8.4	120.96
H-MEVN-427248	2741	42	72	48	9.6	138.24
H-MEVN-428442	2824	42	84	42	9.8	141.12
H-MEVN-428448	2838	42	84	48	11.2	161.28
H-MEVN-429642	2961	42	96	42	11.2	161.28
H-MEVN-429648	2974	42	96	48	12.8	184.32

**Power**

Code	Price	H	W	D	Vol.	Wt.
H-MEVP-427242	3693	42	72	42	8.4	120.96
H-MEVP-427248	3707	42	72	48	9.6	138.24
H-MEVP-428442	3788	42	84	42	8.4	141.12
H-MEVP-428448	3804	42	84	48	11.2	161.28
H-MEVP-429642	3927	42	96	42	11.2	161.28
H-MEVP-429648	3942	42	96	48	12.8	184.32



No Power



With Power

**What's Included:**

- 1" thick super ellipse top
- 4 V-legs with magnetic wire escape
- Reinforcement bar(s)
- Optional Electrics

In-surface powered option comes with one grommet per table piece with 2 AC outlets, dual USB-A chargers, and a blank slot to add an optional HDMI, RJ11, or RJ45 (see [page 178](#) for more options)

If in-surface power option is specified, wire management strips are included in the V-legs

Side-mount USB option comes with 2 USB-A chargers (see [page 178](#) for more options)

**How to Specify:**

Table is sold with base

Each laminate comes with matching vinyl trim unless otherwise specified on the order cover sheet

**Notes:**

Table corners have 4" radius

Table legs come with adjustable glides up to 1/2"

48" and 54"W are finish offered in 30"D

Magnetic wire escape offered in charcoal finish

Reinforcement bars have wire management capabilities

Optional Electrics

In-surface power+USB module available, offered in silver finish

Optional side-mount USB module, offered in black finish

**Options:**

Depths: 36", 42" 48"

Widths: 72", 84", 96"

Height: 29"

Worksurface Laminate

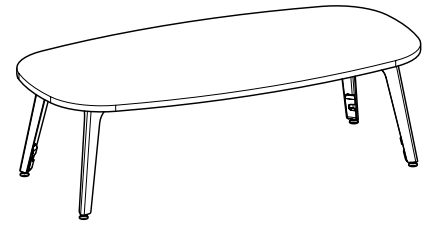
V-leg paint finish

**No Power**

Code	Price	H	W	D	Vol.	Wt.
H-MEVN-297236	2272	29	72	36	5	75
H-MEVN-297242	2432	29	72	42	6	88
H-MEVN-297248	2445	29	72	48	7	100
H-MEVN-298436	2340	29	84	36	6	88
H-MEVN-298442	2529	29	84	42	7	102
H-MEVN-298448	2543	29	84	48	8	117
H-MEVN-299636	2452	29	96	36	7	100
H-MEVN-299642	2666	29	96	42	8	117
H-MEVN-299648	2682	29	96	48	9	134

**Power**

Code	Price	H	W	D	Vol.	Wt.
H-MEVP-297236	3237	29	72	36	5	75
H-MEVP-297242	3399	29	72	42	6	88
H-MEVP-297248	3413	29	72	48	6	88
H-MEVP-298436	3308	29	84	36	6	88
H-MEVP-298442	3496	29	84	42	6	88
H-MEVP-298448	3510	29	84	48	8	117
H-MEVP-299636	3420	29	96	36	7	100
H-MEVP-299642	3633	29	96	42	8	117
H-MEVP-299648	3647	29	96	48	9	134



**What's Included:**

- 3/4" thick super ellipse top
- 4 V-legs with magnetic wire escape

**How to Specify:**

Table is sold with base

Each laminate comes with matching vinyl trim unless otherwise specified on the order cover sheet

**Notes:**

- Table corners have 4" radius
- Table legs come with adjustable glides up to 1/2"
- Magnetic wire escape offered in charcoal finish

**Options:**

24"D: Widths: 36", 42", 48", 54", 60"

30"D: Widths: 48", 54", 60"

36"D: Widths: 60"

Height: 14"

Worksurface Laminate

V-leg paint finish

Code	Price	H	W	D	Volume	Weight
H-TEVN-143624	871	14	36	24	1	12
H-TEVN-144224	883	14	42	24	1	14
H-TEVN-144824	898	14	48	24	1	16
H-TEVN-144830	928	14	48	30	1	20
H-TEVN-145424	912	14	54	24	1	18
H-TEVN-145430	944	14	54	30	2	23
H-TEVN-146024	930	14	60	24	1	20
H-TEVN-146030	960	14	60	24	1	20
H-TEVN-146036	1134	14	60	36	2	30

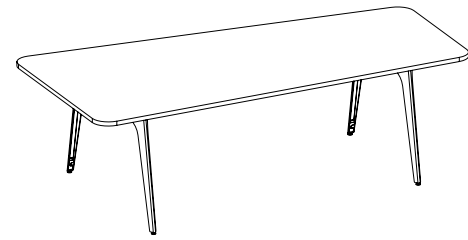




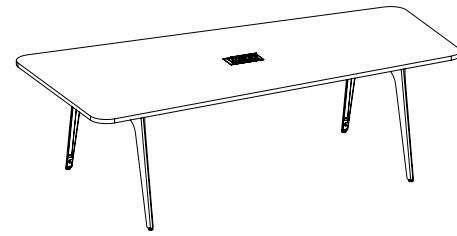








No Power



With Power

**What's Included:**

- 1" thick video top
- 4 V-legs with magnetic wire escape
- Reinforcement bar(s)
- Optional Electrics

In-surface powered option comes with one grommet per table piece with 2 AC outlets, dual USB-A chargers, and a blank slot to add an optional HDMI, RJ11, or RJ45 (see [page 178](#) for more options)

If in-surface power option is specified, wire management strips are included in the V-legs

Side-mount USB option comes with 2 USB-A chargers (see [page 178](#) for more options)

**How to Specify:**

Table is sold with base

Each laminate comes with matching vinyl trim unless otherwise specified on the order cover sheet

**Notes:**

Table corners have 4" radius

Table legs come with adjustable glides up to 1/2"

48" and 54"W are finish offered in 30"D

Magnetic wire escape offered in charcoal finish

Reinforcement bars have wire management capabilities

Optional Electrics

In-surface power+USB module available, offered in silver finish

Optional side-mount USB module, offered in black finish

**Options:**

Depths: 42", 48"D

Widths: 72", 84", 96"

Height: 29

Worksurface Laminate

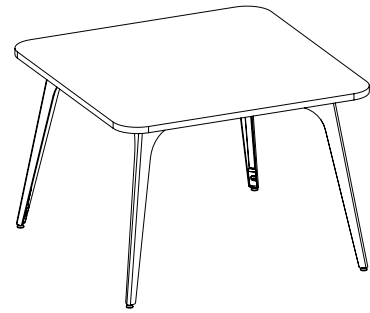
V-leg paint finish

**No Power**

Code	Price	H	W	D	Vol.	Wt.
H-MVVN-297242	2432	29	72	42	6	88
H-MVVN-297248	2445	29	72	48	7	100
H-MVVN-298442	2529	29	84	42	7	102
H-MVVN-298448	2543	29	84	48	8	117
H-MVVN-299642	2666	29	96	42	8	117
H-MVVN-299648	2682	29	96	48	9	134

**Power**

Code	Price	H	W	D	Vol.	Wt.
H-MVVP-297242	3399	29	72	42	6	88
H-MVVP-297248	3413	29	72	48	7	100
H-MVVP-298442	3496	29	84	42	7	102
H-MVVP-298448	3510	29	84	48	13	117
H-MVVP-299642	3633	29	96	42	8	117
H-MVVP-299648	3647	29	96	48	8	117



**What's Included:**

- 1" thick square top
- 4 V-legs with magnetic wire escape

**How to Specify:**

Table is sold with base

Each laminate comes with matching vinyl trim unless otherwise specified on the order cover sheet

**Options:**

Widths: 36", 42", 48"

Depths: 36", 42", 48"

Worksurface Laminate

V-Leg Paint Finish

**Notes:**

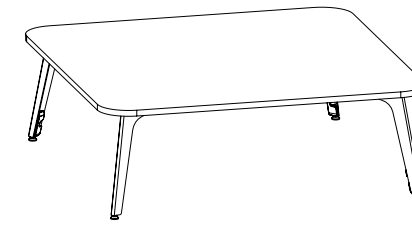
Table corners have 4" radius

Table legs come with adjustable glides up to 1/2"

48" and 54"W are finish offered in 30"D

Magnetic wire escape offered in charcoal finish

Code	Price	H	W	D	Volume	Weight
H-MSVN-293636	1673	29	36	36	3	38
H-MSVN-294242	1751	29	42	42	3	38
H-MSVN-294848	1827	29	48	48	5	67



**What's Included:**

- 3/4" thick square top
- 4 V-legs with magnetic wire escape

**How to Specify:**

Table is sold with base

Each laminate comes with matching vinyl trim unless otherwise specified on the order cover sheet

**Options:**

Depths: 30", 36", 42", 48"

Height: 14"

Worksurface Laminate

V-leg paint finish

**Notes:**

Table corners have 4" radius

Table legs come with adjustable glides up to 1/2"

Magnetic wire escape offered in charcoal finish

Code	Price	H	W	D	Volume	Weight
H-TSVN-143030	847	14	30	30	1	13
H-TSVN-143636	886	14	36	36	1	18
H-TSVN-144242	1003	14	42	42	2	25
H-TSVN-144848	1037	14	48	48	2	32



**What's Included:**

- 1" thick circle top
- 3 V-legs with magnetic wire escape

**How to Specify:**

Table is sold with base

Each laminate comes with matching vinyl trim unless otherwise specified on the order cover sheet

**Notes:**

Table corners have 4" radius  
 Table legs come with adjustable glides up to 1/2"  
 48" and 54"W are finish offered in 30"D  
 Magnetic wire escape offered in charcoal finish

**Options:**

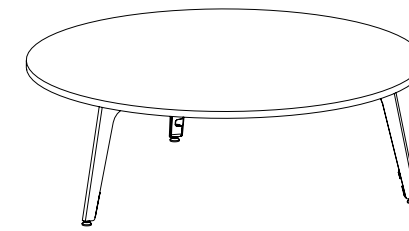
Widths: 36", 42", 48"

Depths: 36", 42", 48"

Worksurface Laminate

V-Leg Paint Finish

Code	Price	H	W	D	Volume	Weight
H-MOVN-293636	1365	29	36	36	3	38
H-MOVN-294242	1484	29	42	42	3	38
H-MOVN-294848	1520	29	48	48	5	67



**What's Included:**

- 3/4" thick circle top
- 3 V-legs with magnetic wire escape

**How to Specify:**

Table is sold with base

Each laminate comes with matching vinyl trim unless otherwise specified on the order cover sheet

**Notes:**

Table corners have 4" radius  
 Table legs come with adjustable glides up to 1/2"  
 Magnetic wire escape offered in charcoal finish

**Options:**

Depths: 30", 36", 42", 48"

Height: 14"

Worksurface Laminate

V-leg paint finish

Code	Price	H	W	D	Volume	Weight
H-TOVN-143030	708	14	30	30	1	13
H-TOVN-143636	832	14	36	36	1	18
H-TOVN-144242	864	14	42	42	2	25
H-TOVN-144848	898	14	48	48	2	32



**What's Included:**

- 1" thick squircle top
- 4 V-legs with magnetic wire escape

**How to Specify:**

Table is sold with base

Each laminate comes with matching vinyl trim unless otherwise specified on the order cover sheet

**Notes:**

- Table corners have 4" radius
- Table legs come with adjustable glides up to 1/2"
- Magnetic wire escape offered in charcoal finish

**Options:**

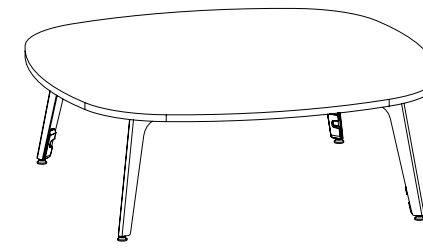
Widths: 36", 42", 48"

Depths: 36", 42", 48"

Worksurface Laminate

V-Leg Paint Finish

Code	Price	H	W	D	Volume	Weight
H-MQVN-293636	1728	29	36	36	3	38
H-MQVN-294242	1846	29	42	42	4	51
H-MQVN-294848	1879	29	48	48	4	51



**What's Included:**

- 3/4" thick squircle top
- 4 V-legs with magnetic wire escape

**How to Specify:**

Table is sold with base

Each laminate comes with matching vinyl trim unless otherwise specified on the order cover sheet

**Notes:**

- Table corners have 4" radius
- Table legs come with adjustable glides up to 1/2"
- Magnetic wire escape offered in charcoal finish

**Options:**

Depths: 30", 36", 42", 48"

Height: 14"

Worksurface Laminate

V-leg paint finish

Code	Price	H	W	D	Volume	Weight
H-TQVN-143030	873	14	30	30	1	13
H-TQVN-143636	996	14	36	36	1	18
H-TQVN-144242	1030	14	42	42	2	25
H-TQVN-144848	1064	14	48	48	2	32



**What's Included:**

- 1" thick trilobe top
- 3 V-legs with magnetic wire escape

**How to Specify:**

Table is sold with base

Each laminate comes with matching vinyl trim unless otherwise specified on the order cover sheet

**Options:**

Widths: 36", 42", 48"

Depths: 36", 42", 48"

Worksurface Laminate

V-Leg Paint Finish

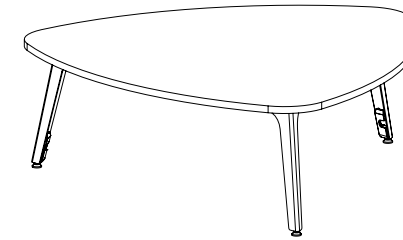
**Notes:**

Table corners have 4" radius

Table legs come with adjustable glides up to 1/2"

Magnetic wire escape offered in charcoal finish

Code	Price	H	W	D	Volume	Weight
H-MTVN-293636	1365	29	36	36	3	38
H-MTVN-294242	1484	29	42	42	4	51
H-MTVN-294848	1520	29	48	48	5	67



**What's Included:**

- 3/4" thick trilobe top
- 3 V-legs with magnetic wire escape

**How to Specify:**

Table is sold with base

Each laminate comes with matching vinyl trim unless otherwise specified on the order cover sheet

**Options:**

Depths: 30", 36", 42", 48"

Height: 14"

Worksurface Laminate

V-leg paint finish

**Notes:**

Table corners have 4" radius

Table legs come with adjustable glides up to 1/2"

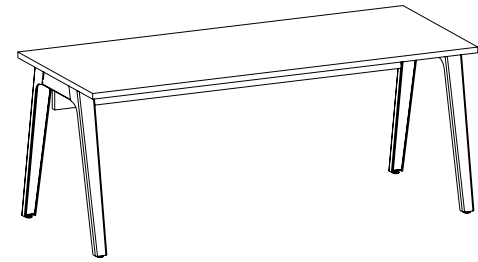
Magnetic wire escape offered in charcoal finish

Code	Price	H	W	D	Volume	Weight
H-TTVN-143030	873	14	30	30	1	13
H-TTVN-143636	996	14	36	36	1	18
H-TTVN-144242	1030	14	42	42	2	25
H-TTVN-144848	1064	14	48	48	2	32

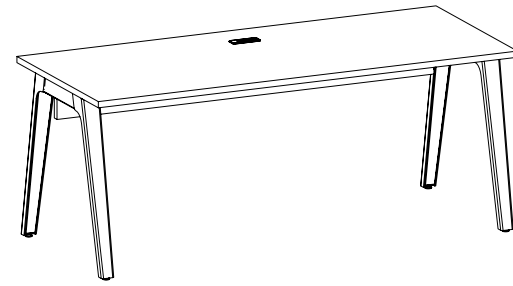


Halifax Pricebook  
May 2023  
**Desking**

Freestanding	
A-Leg	60
V-Leg	62
Hanging Pedestal	64
Low Credenza Mount	
A-Leg Hutch & Gallery Wall	66
A-Leg Short Gable	68
V-Leg Hutch & Gallery Wall	70
V-Leg Short Gable	72
No Leg Hutch & Gallery Wall	74
No Leg Short Gable	76
High Credenza Mount	
A leg	78
V leg	80
Height Adjustable Table	82
Suspended Pedestal	84
Credenza integrated	86
Credenza & Pedestal	88
Worksurface	
No Grommet	90
w/ Grommet	92
Bridge	94
Reinforcement Bar	96
Modesty	98
Worksurface Support & Hardware	100
Table Support	102



A-Leg No Grommet



A-Leg With Grommet

**What's Included:**

- Worksurface
- 2 A-leg gables
- reinforcement bar
- modesty

**Notes:**

One of the A-Legs will come with an infill with a small hole to run wires out the bottom

**Options:**

Widths: 60", 66", 72", 78", 84"

Depths: 30"

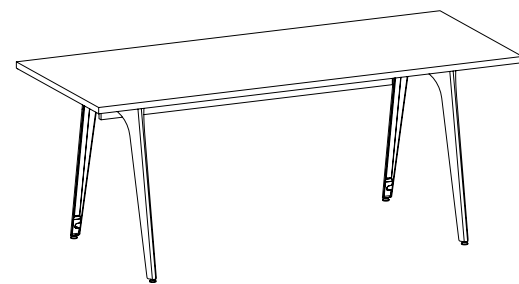
Laminate

Paint Finish

Electrics

**A-Leg**

Code	Price	H	W	D	Volume	Weight
<b>No Grommet</b>						
H-TFAN-296030	2355	29	60	30	5	61
H-TFAN-296630	2404	29	66	30	6	68
H-TFAN-297230	2454	29	72	30	6	74
H-TFAN-297830	2529	29	78	30	7	80
H-TFAN-298430	2558	29	84	30	7	86
<b>w/ Grommet</b>						
H-TFAH-296030	2360	29	60	30	5	61
H-TFAH-296630	2408	29	66	30	6	68
H-TFAH-297230	2460	29	72	30	6	74
H-TFAH-297830	2533	29	78	30	7	80
H-TFAH-298430	2562	29	84	30	7	86



V-Leg No Grommet



V-Leg With Grommet

What's Included:

- Worksurface
- 2 A-leg gables
- reinforcement bar
- modesty

Notes:

Options:

Widths: 60", 66", 72", 78", 84"

Depths: 30"

Laminate

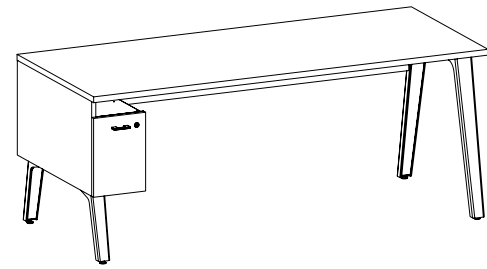
Paint Finish

Electrics

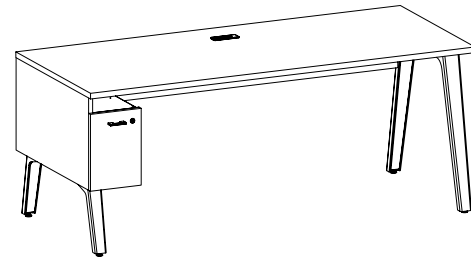
V-Leg

Code	Price	H	W	D	Vol.	Wt.
<b>No Grommet</b>						
H-TFVN-296030	2180	29	60	30	5	61
H-TFVN-296630	2200	29	66	30	6	68
H-TFVN-297230	2229	29	72	30	6	74
H-TFVN-297830	2278	29	78	30	7	80
H-TFVN-298430	2302	29	84	30	7	86
<b>w/ Grommet</b>						
H-TFVH-296030	2186	29	60	30	5	61
H-TFVH-296630	2203	29	66	30	6	68
H-TFVH-297230	2233	29	72	30	6	74
H-TFVH-297830	2283	29	78	30	7	80
H-TFVH-298430	2309	29	84	30	7	86





no Grommet



With Grommet

**What's Included:**

- Desk with a hanging pedestal with A-Leg

**How to Specify:**

Hanging pedestal on RH or LH

**Notes:**

Hanging pedestal has a 9-1/2"W file drawer

**Options:**

Widths: 60", 66", 72"

Depths: 30"

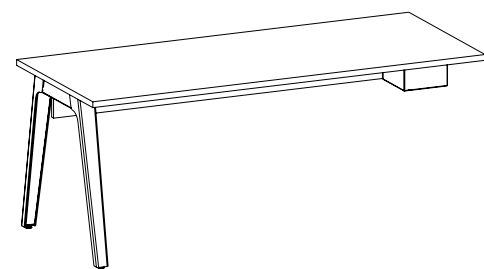
Laminate

Paint Finish

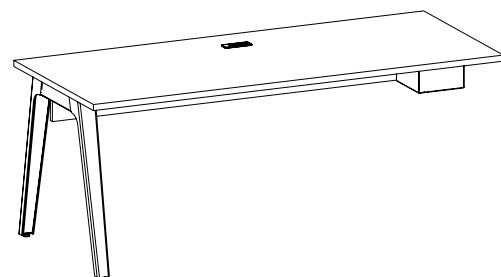
Electrics

**A-Leg**

Code	Price	H	W	D	Volume	Weight
<b>No Grommet</b>						
H-TSAN-296030-L	2928	29	60	30	5	61
H-TSAN-296630-L	2954	29	66	30	6	68
H-TSAN-297230-L	3014	29	72	30	6	74
H-TSAN-296030-R	2928	29	60	30	5	61
H-TSAN-296630-R	2954	29	66	30	6	68
H-TSAN-297230-R	3014	29	72	30	6	74
<b>w/ Grommet</b>						
H-TSAH-296030-L	2933	29	60	30	5	61
H-TSAH-296630-L	2959	29	66	30	6	68
H-TSAH-297230-L	3016	29	72	30	6	74
H-TSAH-296030-R	2933	29	60	30	5	61
H-TSAH-296630-R	2959	29	66	30	6	68
H-TSAH-297230-R	3016	29	72	30	6	74



no Grommet



With Grommet

**What's Included:**

- Worksurface
- Modesty
- A-leg
- Reinforcement bar
- Credenza mounting box

**How to Specify:**

**Notes:**

Application is for layout with a freestanding hutch or a gallery wall

One of the A-Legs will come with an infill with a small hole to run wires out the bottom

**Options:**

Widths: 60", 66", 72", 78", 84"

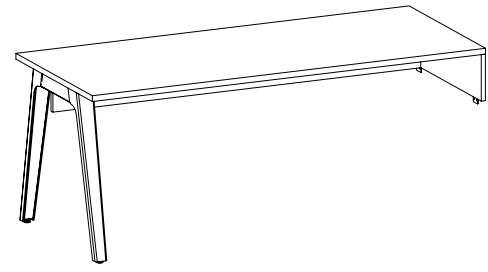
Depths: 30"

Laminate

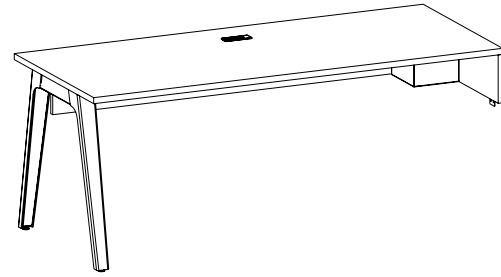
Paint Finish

Electrics

Code	Price	H	W	D	Volume	Weight
<b>w/ Grommet</b>						
H-TLAN-296030-L	1848	29	60	30	5.0	61
H-TLAN-296630-L	1898	29	66	30	6.0	68
H-TLAN-297230-L	1949	29	72	30	6.0	74
H-TLAN-297830-L	2023	29	78	30	7.0	80
H-TLAN-298430-L	2048	29	84	30	7.0	86
H-TLAN-296030-R	1848	29	60	30	5.0	61
H-TLAN-296630-R	1898	29	66	30	6.0	68
H-TLAN-297230-R	1949	29	72	30	6.0	74
H-TLAN-297830-R	2023	29	78	30	7.0	80
H-TLAN-298430-R	2048	29	84	30	7.0	86
<b>No Grommet</b>						
H-TLAH-296030-L	1852	29	60	30	5.0	61
H-TLAH-296630-L	1902	29	66	30	6.0	68
H-TLAH-297230-L	1953	29	72	30	6.0	74
H-TLAH-297830-L	2027	29	78	30	7.0	80
H-TLAH-298430-L	2053	29	84	30	7.0	86
H-TLAH-296030-R	1852	29	60	30	5.0	61
H-TLAH-296630-R	1902	29	66	30	6.0	68
H-TLAH-297230-R	1953	29	72	30	6.0	74
H-TLAH-297830-R	2027	29	78	30	7.0	80
H-TLAH-298430-R	2053	29	84	30	7.0	86



no Grommet



With Grommet

**What's Included:**

- Worksurface
- Short Gable
- Modesty
- A-leg
- Reinforcement bar
- Credenza mounting box

**How to Specify:**

**Notes:**

Application is for layout that does not include a freestanding hutch or a gallery wall  
 One of the A-Legs will come with an infill with a small hole to run wires out the bottom

**Options:**

Widths: 60", 66", 72", 78", 84"

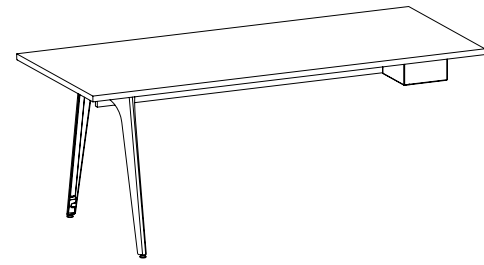
Depths: 30"

Laminate

Paint Finish

Electrics

Code	Price	H	W	D	Volume	Weight
<b>No Grommet</b>						
H-TLSAN-296030-GL	1955	29	60	30	5.0	61
H-TLSAN-296630-GL	2004	29	66	30	6.0	68
H-TLSAN-297230-GL	2056	29	72	30	6.0	74
H-TLSAN-297830-GL	2130	29	78	30	7.0	80
H-TLSAN-298430-GL	2156	29	84	30	7.0	86
H-TLSAN-296030-GR	1955	29	60	30	5.0	61
H-TLSAN-296630-GR	2004	29	66	30	6.0	68
H-TLSAN-297230-GR	2056	29	72	30	6.0	74
H-TLSAN-297830-GR	2130	29	78	30	7.0	80
H-TLSAN-298430-GR	2156	29	84	30	7.0	86
<b>w/ Grommet</b>						
H-TLSAH-296030-GL	1958	29	60	30	5.0	61
H-TLSAH-296630-GL	2008	29	66	30	6.0	68
H-TLSAH-297230-GL	2060	29	72	30	6.0	74
H-TLSAH-297830-GL	2134	29	78	30	7.0	80
H-TLSAH-298430-GL	2162	29	84	30	7.0	86
H-TLSAH-296030-GR	1958	29	60	30	5.0	61
H-TLSAH-296630-GR	2008	29	66	30	6.0	68
H-TLSAH-297230-GR	2060	29	72	30	6.0	74
H-TLSAH-297830-GR	2134	29	78	30	7.0	80
H-TLSAH-298430-GR	2162	29	84	30	7.0	86



no Grommet



With Grommet

**What's Included:**

- Worksurface
- Modesty
- V-leg
- Reinforcement bar
- Credenza mounting box

**How to Specify:**

**Notes:**

Application is for layout with a freestanding hutch or a gallery wall

**Options:**

Widths: 60", 66", 72", 78", 84"

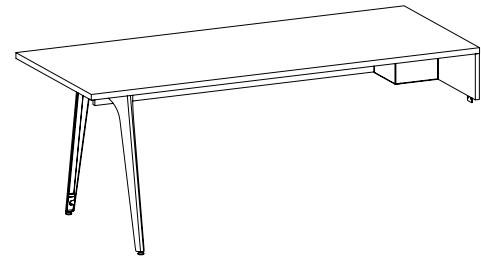
Depths: 30"

Laminate

Paint Finish

Electrics

Code	Price	H	W	D	Volume	Weight
<b>No Grommet</b>						
H-TLVN-296030-L	1605	29	60	30	5.0	61
H-TLVN-296630-L	1634	29	66	30	6.0	68
H-TLVN-297230-L	1683	29	72	30	6.0	74
H-TLVN-297830-L	1706	29	78	30	7.0	80
H-TLVN-298430-L	1747	29	84	30	7.0	86
H-TLVN-296030-R	1605	29	60	30	5.0	61
H-TLVN-296630-R	1634	29	66	30	6.0	68
H-TLVN-297230-R	1683	29	72	30	6.0	74
H-TLVN-297830-R	1706	29	78	30	7.0	80
H-TLVN-298430-R	1747	29	84	30	7.0	86
<b>w/ Grommet</b>						
H-TLVH-296030-L	1609	29	60	30	5.0	61
H-TLVH-296630-L	1638	29	66	30	6.0	68
H-TLVH-297230-L	1686	29	72	30	6.0	74
H-TLVH-297830-L	1709	29	78	30	7.0	80
H-TLVH-298430-L	1752	29	84	30	7.0	86
H-TLVH-296030-R	1609	29	60	30	5.0	61
H-TLVH-296630-R	1638	29	66	30	6.0	68
H-TLVH-297230-R	1686	29	72	30	6.0	74
H-TLVH-297830-R	1709	29	78	30	7.0	80
H-TLVH-298430-R	1752	29	84	30	7.0	86



no Grommet



With Grommet

**What's Included:**

- Worksurface
- Short Gable
- Modesty
- V-leg
- Reinforcement bar
- Credenza mounting box

**How to Specify:**

**Notes:**

Application is for layout that does not include a freestanding hutch or a gallery wall

**Options:**

Widths: 60", 66", 72", 78", 84"

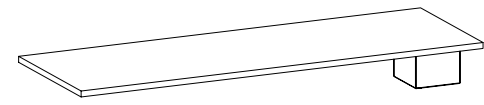
Depths: 30"

Laminate

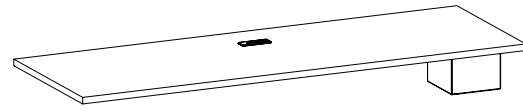
Paint Finish

Electrics

Code	Price	H	W	D	Volume	Weight
<b>No Grommet</b>						
H-TLSVN-296030-GL	1740	29	60	30	5.0	61
H-TLSVN-296630-GL	1768	29	66	30	6.0	68
H-TLSVN-297230-GL	1819	29	72	30	6.0	74
H-TLSVN-297830-GL	1843	29	78	30	7.0	80
H-TLSVN-298430-GL	1887	29	84	30	7.0	86
H-TLSVN-296030-GR	1740	29	60	30	5.0	61
H-TLSVN-296630-GR	1768	29	66	30	6.0	68
H-TLSVN-297230-GR	1819	29	72	30	6.0	74
H-TLSVN-297830-GR	1843	29	78	30	7.0	80
H-TLSVN-298430-GR	1887	29	84	30	7.0	86
<b>w/ Grommet</b>						
H-TLSVH-296030-GL	1744	29	60	30	5.0	61
H-TLSVH-296630-GL	1771	29	66	30	6.0	68
H-TLSVH-297230-GL	1825	29	72	30	6.0	74
H-TLSVH-297830-GL	1848	29	78	30	7.0	80
H-TLSVH-298430-GL	1890	29	84	30	7.0	86
H-TLSVH-296030-GR	1744	29	60	30	5.0	61
H-TLSVH-296630-GR	1771	29	66	30	6.0	68
H-TLSVH-297230-GR	1825	29	72	30	6.0	74
H-TLSVH-297830-GR	1848	29	78	30	7.0	80
H-TLSVH-298430-GR	1890	29	84	30	7.0	86



no Grommet



With Grommet

**What's Included:**

- Worksurface
- Credenza mounting bo

**How to Specify:**

Modesty, support and reinforcement bar to be specified separately

**Notes:**

Application is for layout with a freestanding hutch or a gallery wall

**Options:**

Widths: 60", 66", 72", 78", 84"

Depths: 19", 24", 30"

Laminate

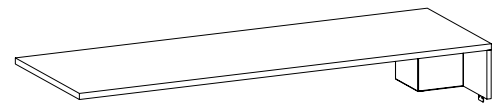
Paint Finish

Electrics

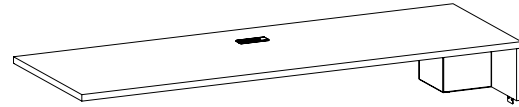
No Grommet

w/Grommet

Code	Price	H	W	D	Vol.	Wt.	Code	Price	H	W	D	Vol.	Wt.
H-TLSN-296019-L	358	29	60	19	5.0	39	H-TLSH-296019-L	361	29	60	19	5.0	39
H-TLSN-296619-L	366	29	66	19	6.0	43	H-TLSH-296619-L	374	29	66	19	6.0	43
H-TLSN-297219-L	382	29	72	19	6.0	47	H-TLSH-297219-L	385	29	72	19	6.0	47
H-TLSN-297819-L	391	29	78	19	7.0	51	H-TLSH-297819-L	397	29	78	19	7.0	51
H-TLSN-298419-L	404	29	84	19	7.0	54	H-TLSH-298419-L	408	29	84	19	7.0	54
H-TLSN-296019-R	358	29	60	19	5.0	39	H-TLSH-296019-R	361	29	60	19	5.0	39
H-TLSN-296619-R	366	29	66	19	6.0	43	H-TLSH-296619-R	374	29	66	19	6.0	43
H-TLSN-297219-R	382	29	72	19	6.0	47	H-TLSH-297219-R	385	29	72	19	6.0	47
H-TLSN-297819-R	391	29	78	19	7.0	51	H-TLSH-297819-R	397	29	78	19	7.0	51
H-TLSN-298419-R	404	29	84	19	7.0	54	H-TLSH-298419-R	408	29	84	19	7.0	54
H-TLSN-296024-L	385	29	60	24	5.0	49	H-TLSH-296024-L	388	29	60	24	5.0	49
H-TLSN-296624-L	400	29	66	24	6.0	54	H-TLSH-296624-L	404	29	66	24	6.0	54
H-TLSN-297224-L	413	29	72	24	6.0	59	H-TLSH-297224-L	419	29	72	24	6.0	59
H-TLSN-297824-L	428	29	78	24	7.0	64	H-TLSH-297824-L	432	29	78	24	7.0	64
H-TLSN-298424-L	444	29	84	24	7.0	69	H-TLSH-298424-L	448	29	84	24	7.0	69
H-TLSN-296024-R	385	29	60	24	5.0	49	H-TLSH-296024-R	388	29	60	24	5.0	49
H-TLSN-296624-R	400	29	66	24	6.0	54	H-TLSH-296624-R	404	29	66	24	6.0	54
H-TLSN-297224-R	413	29	72	24	6.0	59	H-TLSH-297224-R	419	29	72	24	6.0	59
H-TLSN-297824-R	428	29	78	24	7.0	64	H-TLSH-297824-R	432	29	78	24	7.0	64
H-TLSN-298424-R	444	29	84	24	7.0	69	H-TLSH-298424-R	448	29	84	24	7.0	69
H-TLSN-296030-L	419	29	60	30	5.0	61	H-TLSH-296030-L	424	29	60	30	5.0	61
H-TLSN-296630-L	436	29	66	30	6.0	68	H-TLSH-296630-L	443	29	66	30	6.0	68
H-TLSN-297230-L	454	29	72	30	6.0	74	H-TLSH-297230-L	459	29	72	30	6.0	74
H-TLSN-297830-L	473	29	78	30	7.0	80	H-TLSH-297830-L	475	29	78	30	7.0	80
H-TLSN-298430-L	491	29	84	30	7.0	86	H-TLSH-298430-L	494	29	84	30	7.0	86
H-TLSN-296030-R	419	29	60	30	5.0	61	H-TLSH-296030-R	424	29	60	30	5.0	61
H-TLSN-296630-R	436	29	66	30	6.0	68	H-TLSH-296630-R	443	29	66	30	6.0	68
H-TLSN-297230-R	454	29	72	30	6.0	74	H-TLSH-297230-R	459	29	72	30	6.0	74
H-TLSN-297830-R	473	29	78	30	7.0	80	H-TLSH-297830-R	475	29	78	30	7.0	80
H-TLSN-298430-R	491	29	84	30	7.0	86	H-TLSH-298430-R	494	29	84	30	7.0	86



no Grommet



With Grommet

**What's Included:**

- Worksurface
- Short Gable
- Credenza mounting box

**How to Specify:**

Need modesty, supports, and reinforcement bar to be specified separately

**Notes:**

Application is for layout that does not include a freestanding hutch or a gallery wall

**Options:**

Widths: 60", 66", 72", 78", 84"

Depths: 19", 24", 30"

Laminate

Paint Finish

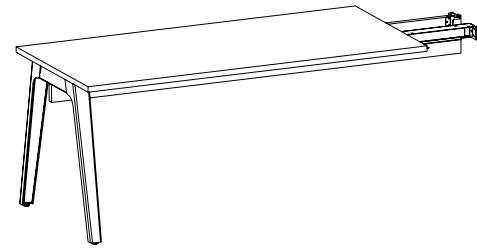
Electrics

No Grommet

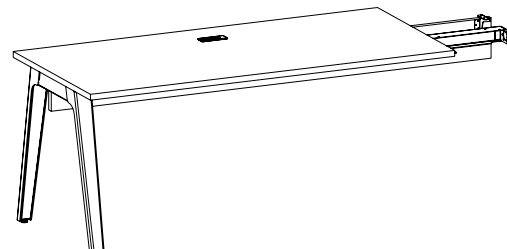
Code	Price	H	W	D	Vol.	Wt.
H-TLSN-296019-GL	362	29	60	19		
H-TLSN-296619-GL	464	29	66	19	6.0	43
H-TLSN-297219-GL	475	29	72	19	6.0	47
H-TLSN-297819-GL	488	29	78	19	7.0	51
H-TLSN-298419-GL	499	29	84	19	7.0	54
H-TLSN-296019-GR	362	29	60	19		
H-TLSN-296619-GR	464	29	66	19	6.0	43
H-TLSN-297219-GR	475	29	72	19	6.0	47
H-TLSN-297819-GR	488	29	78	19	7.0	51
H-TLSN-298419-GR	499	29	84	19	7.0	54
H-TLSN-296024-GL	391	29	60	24	5.0	49
H-TLSN-296624-GL	499	29	66	24	6.0	54
H-TLSN-297224-GL	516	29	72	24	6.0	59
H-TLSN-297824-GL	530	29	78	24	7.0	64
H-TLSN-298424-GL	545	29	84	24	7.0	69
H-TLSN-296024-GR	391	29	60	24	5.0	49
H-TLSN-296624-GR	499	29	66	24	6.0	54
H-TLSN-297224-GR	516	29	72	24	6.0	59
H-TLSN-297824-GR	530	29	78	24	7.0	64
H-TLSN-298424-GR	545	29	84	24	7.0	69
H-TLSN-296030-GL	426	29	60	30	5.0	61
H-TLSN-296630-GL	545	29	66	30	6.0	68
H-TLSN-297230-GL	561	29	72	30	6.0	74
H-TLSN-297830-GL	581	29	78	30	7.0	80
H-TLSN-298430-GL	596	29	84	30	7.0	86
H-TLSN-296030-GR	426	29	60	30	5.0	61
H-TLSN-296630-GR	545	29	66	30	6.0	68
H-TLSN-297230-GR	561	29	72	30	6.0	74
H-TLSN-297830-GR	581	29	78	30	7.0	80
H-TLSN-298430-GR	596	29	84	30	7.0	86

With Grommet

Code	Price	H	W	D	Vol.	Wt.
H-TLSH-296019-GL	377	29	60	19	5.0	39
H-TLSH-296619-GL	469	29	66	19	6.0	43
H-TLSH-297219-GL	481	29	72	19	6.0	47
H-TLSH-297819-GL	493	29	78	19	7.0	51
H-TLSH-298419-GL	504	29	84	19	7.0	54
H-TLSH-296019-GR	377	29	60	19	5.0	39
H-TLSH-296619-GR	469	29	66	19	6.0	43
H-TLSH-297219-GR	481	29	72	19	6.0	47
H-TLSH-297819-GR	493	29	78	19	7.0	51
H-TLSH-298419-GR	504	29	84	19	7.0	54
H-TLSH-296024-GL	404	29	60	24	5.0	49
H-TLSH-296624-GL	504	29	66	24	6.0	54
H-TLSH-297224-GL	519	29	72	24	6.0	59
H-TLSH-297824-GL	534	29	78	24	7.0	64
H-TLSH-298424-GL	548	29	84	24	7.0	69
H-TLSH-296024-GR	404	29	60	24	5.0	49
H-TLSH-296624-GR	504	29	66	24	6.0	54
H-TLSH-297224-GR	519	29	72	24	6.0	59
H-TLSH-297824-GR	534	29	78	24	7.0	64
H-TLSH-298424-GR	548	29	84	24	7.0	69
H-TLSH-296030-GL	439	29	60	30	5.0	61
H-TLSH-296630-GL	548	29	66	30	6.0	68
H-TLSH-297230-GL	565	29	72	30	6.0	74
H-TLSH-297830-GL	583	29	78	30	7.0	80
H-TLSH-298430-GL	602	29	84	30	7.0	86
H-TLSH-296030-GR	439	29	60	30	5.0	61
H-TLSH-296630-GR	548	29	66	30	6.0	68
H-TLSH-297230-GR	565	29	72	30	6.0	74
H-TLSH-297830-GR	583	29	78	30	7.0	80
H-TLSH-298430-GR	602	29	84	30	7.0	86



No Grommet



With Grommet

**What's Included:**

- Worksurface
- Modesty
- Reinforcement bar
- Supporting Leg

**Notes:**

One of the A-Legs will come with an infill with a small hole to run wires out the bottom

**Options:**

Widths: 42" 48", 54", 60", 66"

Depths: 30"

Laminate

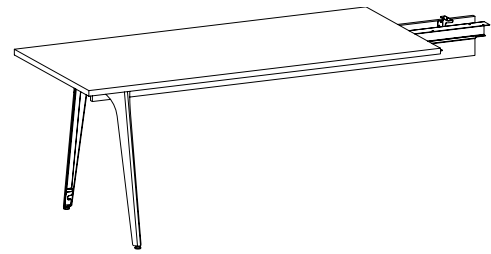
Paint Finish

Electrics

A-Leg

Code	Price	H	W	D	Volume	Weight
<b>No Grommet</b>						
H-THAN-294230-L	1657	29	42	30	5.0	61
H-THAN-294830-L	1681	29	48	30	6.0	68
H-THAN-295430-L	1703	29	54	30	6.0	55
H-THAN-296030-L	1728	29	60	30	7.0	61
H-THAN-296630-L	1750	29	66	30	7.0	68
H-THAN-294230-R	1657	29	42	30	5.0	61
H-THAN-294830-R	1681	29	48	30	6.0	68
H-THAN-295430-R	1703	29	54	30	6.0	55
H-THAN-296030-R	1728	29	60	30	7.0	61
H-THAN-296630-R	1750	29	66	30	7.0	68
<b>w/ Grommet</b>						
H-THAH-294230-L	1660	29	42	30	5.0	43
H-THAH-294830-L	1683	29	48	30	6.0	49
H-THAH-295430-L	1706	29	54	30	6.0	55
H-THAH-296030-L	1731	29	60	30	7.0	61
H-THAH-296630-L	1753	29	66	30	7.0	68
H-THAH-294230-R	1660	29	42	30	5.0	43
H-THAH-294830-R	1683	29	48	30	6.0	49
H-THAH-295430-R	1706	29	54	30	6.0	55
H-THAH-296030-R	1731	29	60	30	7.0	61
H-THAH-296630-R	1753	29	66	30	7.0	68





No Grommet



With Grommet

What's Included:

- Worksurface
- Modesty
- Reinforcement bar
- Supporting Leg

Notes:

Options:

Widths: 42" 48", 54", 60", 66"

Depths: 30"

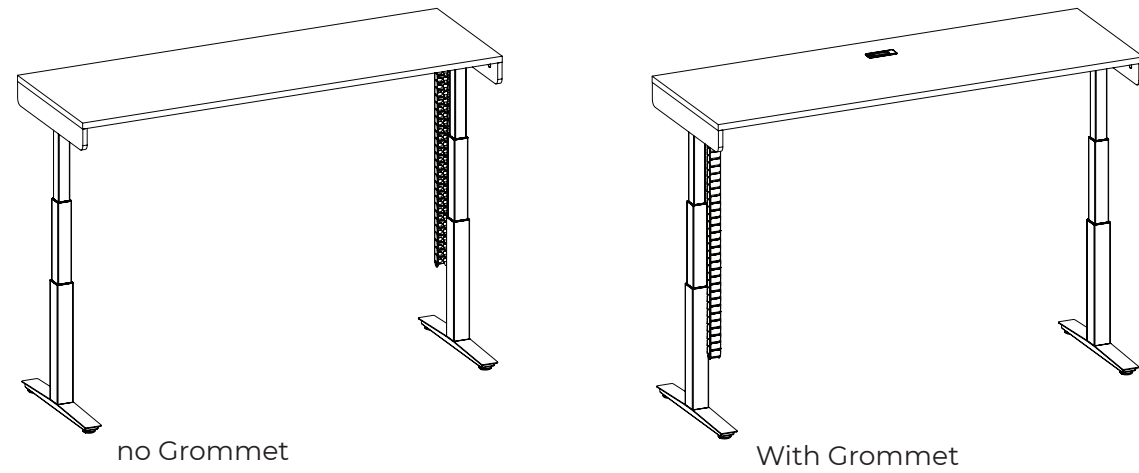
Laminate

Paint Finish

Electrics

V-Leg

Code	Price	H	W	D	Volume	Weight
<b>No Grommet</b>						
H-THVN-294230-L	1411	29	42	30	5.0	61
H-THVN-294830-L	1439	29	48	30	6.0	68
H-THVN-295430-L	1489	29	54	30	6.0	55
H-THVN-296030-L	1514	29	60	30	7.0	61
H-THVN-296630-L	1555	29	66	30	7.0	68
H-THVN-294230-R	1411	29	42	30	5.0	61
H-THVN-294830-R	1439	29	48	30	6.0	68
H-THVN-295430-R	1489	29	54	30	6.0	55
H-THVN-296030-R	1514	29	60	30	7.0	61
H-THVN-296630-R	1555	29	66	30	7.0	68
<b>w/ Grommet</b>						
H-THVH-294230-L	1418	29	42	30	5.0	43
H-THVH-294830-L	1443	29	48	30	6.0	49
H-THVH-295430-L	1495	29	54	30	6.0	55
H-THVH-296030-L	1520	29	60	30	7.0	61
H-THVH-296630-L	1560	29	66	30	7.0	68
H-THVH-294230-R	1418	29	42	30	5.0	43
H-THVH-294830-R	1443	29	48	30	6.0	49
H-THVH-295430-R	1495	29	54	30	6.0	55
H-THVH-296030-R	1520	29	60	30	7.0	61
H-THVH-296630-R	1560	29	66	30	7.0	68



What's Included:

- Height Adjustable Table Base
- e-chain
- Worksurface

How to Specify:

Notes:

Options:

Widths: 60", 66", 72"

---

Depths: 24", 30"

---

Laminate

---

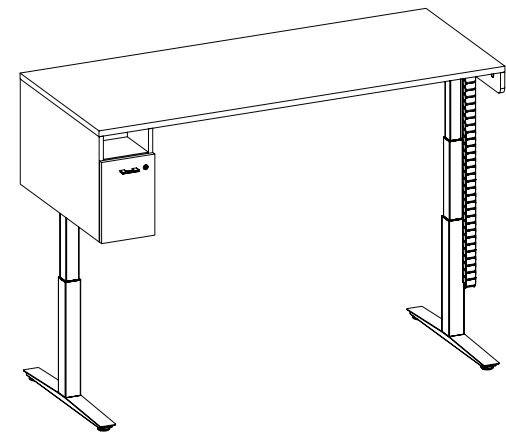
Paint Finish

---

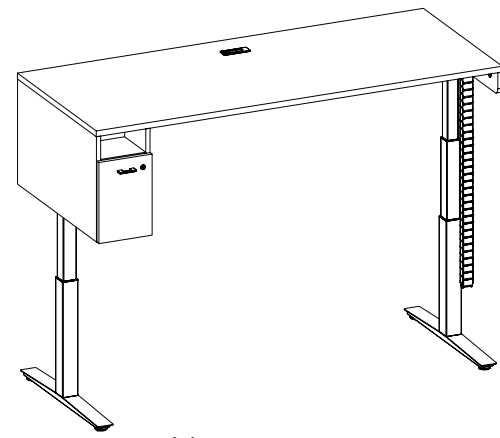
Electrics

---

Code	Price	H	W	D	Volume	Weight
<b>No Grommet</b>						
H-HATN-A-6024	1903	26	60	24	3.0	128
H-HATN-A-6624	1922	26	66	24	4.0	132
H-HATN-A-7224	1935	26	72	24	5.0	136
H-HATN-A-6030	1973	26	60	30	4.0	132
H-HATN-A-6630	1993	26	66	30	5.0	136
H-HATN-A-7230	2011	26	72	30	6.0	140
<b>w/ Grommet</b>						
H-HATH-A-6024	1909	26	60	24	3.0	128
H-HATH-A-6624	1925	26	66	24	4.0	132
H-HATH-A-7224	1938	26	72	24	5.0	136
H-HATH-A-6030	1977	26	60	30	4.0	132
H-HATH-A-6630	1997	26	66	30	5.0	136
H-HATH-A-7230	2016	26	72	30	6.0	140



no Grommet



With Grommet

**What's Included:**

- Height Adjustable Table Base
- e-chain
- Worksurface
- Suspended storage

**How to Specify:**

LH storage or RH storage

**Notes:**

**Options:**

Widths: 60", 66", 72"

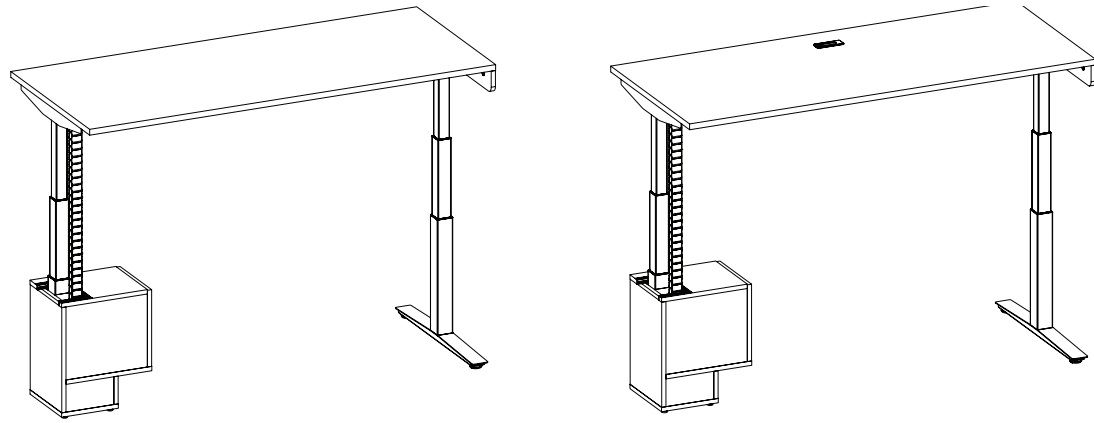
Depths: 24", 30"

Laminate

Paint Finish

Electrics

Code	Price	H	W	D	Volume	Weight
<b>No Grommet</b>						
H-HATN-B-6030-L	2594	26	60	30	4.0	132
H-HATN-B-6630-L	2613	26	66	30	5.0	136
H-HATN-B-7230-L	2629	26	72	30	6.0	140
H-HATN-B-6030-R	2594	26	60	30	4.0	132
H-HATN-B-6630-R	2613	26	66	30	5.0	136
H-HATN-B-7230-R	2629	26	72	30	6.0	140
<b>w/ Grommet</b>						
H-HATH-B-6030-L	2598	26	60	30	4.0	132
H-HATH-B-6630-L	2616	26	66	30	5.0	136
H-HATH-B-7230-L	2635	26	72	30	6.0	140
H-HATH-B-6030-R	2598	26	60	30	4.0	132
H-HATH-B-6630-R	2616	26	66	30	5.0	136
H-HATH-B-7230-R	2635	26	72	30	6.0	140



no Grommet

With Grommet

**What's Included:**

- Height Adjustable Table Base
- e-chain
- Worksurface
- Suspended storage
- Credenza Box

**Notes:**

**How to Specify:**

Extension to the RH or Extension to the LH

**Options:**

Widths: 60", 66", 72"

Depths: 24", 30"

Laminate

Paint Finish

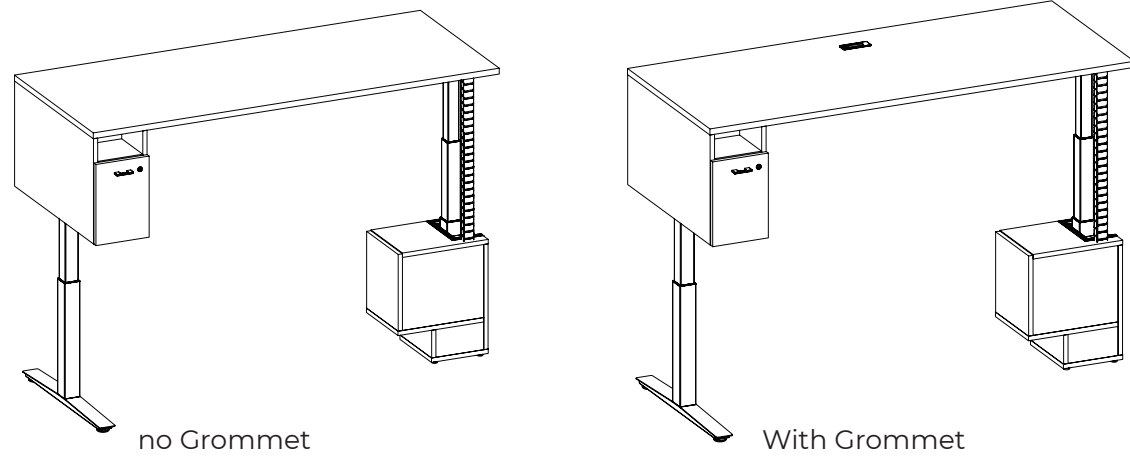
Electrics

No Grommet

w/Grommet

Code	Price	H	W	D	Vol.	Wt.
H-HATN-6-6024-L	2872	26	60	24	3.0	128
H-HATN-6-6624-L	2883	26	66	24	4.0	132
H-HATN-6-7224-L	2899	26	72	24	5.0	136
H-HATN-6-6024-R	2872	26	60	24	3.0	128
H-HATN-6-6624-R	2883	26	66	24	4.0	132
H-HATN-6-7224-R	2899	26	72	24	5.0	136
H-HATN-6-6030-L	2925	26	60	30	4.0	132
H-HATN-6-6630-L	2944	26	66	30	5.0	136
H-HATN-6-7230-L	2963	26	72	30	6.0	140
H-HATN-6-6030-R	2925	26	60	30	4.0	132
H-HATN-6-6630-R	2944	26	66	30	5.0	136
H-HATN-6-7230-R	2963	26	72	30	6.0	140
H-HATN-9-6024-L	2889	26	60	24	3.0	128
H-HATN-9-6624-L	2904	26	66	24	4.0	132
H-HATN-9-7224-L	2921	26	72	24	5.0	136
H-HATN-9-6024-R	2889	26	60	24	3.0	128
H-HATN-9-6624-R	2904	26	66	24	4.0	132
H-HATN-9-7224-R	2921	26	72	24	5.0	136
H-HATN-9-6030-L	2945	26	60	30	4.0	132
H-HATN-9-6630-L	2965	26	66	30	5.0	136
H-HATN-9-7230-L	2983	26	72	30	6.0	140
H-HATN-9-6030-R	2945	26	60	30	4.0	132
H-HATN-9-6630-R	2965	26	66	30	5.0	136
H-HATN-9-7230-R	2983	26	72	30	6.0	140

Code	Price	H	W	D	Vol.	Wt.
H-HATH-6-6024-L	2886	26	60	24	3.0	132
H-HATH-6-6624-L	2896	26	66	24	4.0	132
H-HATH-6-7224-L	2912	26	72	24	5.0	136
H-HATH-6-6024-R	2886	26	60	24	3.0	132
H-HATH-6-6624-R	2896	26	66	24	4.0	132
H-HATH-6-7224-R	2912	26	72	24	5.0	136
H-HATH-6-6030-L	2939	26	60	30	4.0	132
H-HATH-6-6630-L	2959	26	66	30	5.0	136
H-HATH-6-7230-L	2976	26	72	30	6.0	140
H-HATH-6-6030-R	2939	26	60	30	4.0	132
H-HATH-6-6630-R	2959	26	66	30	5.0	136
H-HATH-6-7230-R	2976	26	72	30	6.0	140
H-HATH-9-6024-L	2903	26	60	24	3.0	128
H-HATH-9-6624-L	2917	26	66	24	4.0	132
H-HATH-9-7224-L	2935	26	72	24	5.0	136
H-HATH-9-6024-R	2903	26	60	24	3.0	128
H-HATH-9-6624-R	2917	26	66	24	4.0	132
H-HATH-9-7224-R	2935	26	72	24	5.0	136
H-HATH-9-6030-L	2960	26	60	30	4.0	132
H-HATH-9-6630-L	2978	26	66	30	5.0	136
H-HATH-9-7230-L	2999	26	72	30	6.0	140
H-HATH-9-6030-R	2960	26	60	30	4.0	132
H-HATH-9-6630-R	2978	26	66	30	5.0	136
H-HATH-9-7230-R	2999	26	72	30	6.0	140



**What's Included:**

- Height Adjustable Table Base
- e-chain
- Worksurface
- Suspended storage
- Credenza Box

**Notes:**

**How to Specify:**

Extension to the RH or Extension to the LH

**Options:**

Widths: 60", 66", 72"

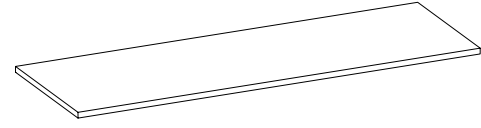
Depths: 24", 30"

Laminate

Paint Finish

Electrics

Code	Price	H	W	D	Volume	Weight
<b>No Grommet</b>						
H-HATN-D6-6030-L	3544	26	60	30	4.0	132
H-HATN-D6-6030-R	3544	26	60	30	4.0	132
H-HATN-D6-6630-L	3553	26	66	30	5.0	136
H-HATN-D6-6630-R	3553	26	66	30	5.0	136
H-HATN-D6-7230-L	3572	26	72	30	6.0	140
H-HATN-D6-7230-R	3572	26	72	30	6.0	140
H-HATN-D9-6030-L	3559	26	60	30	4.0	132
H-HATN-D9-6030-R	3559	26	60	30	4.0	132
H-HATN-D9-6630-L	3576	26	66	30	5.0	136
H-HATN-D9-6630-R	3576	26	66	30	5.0	136
H-HATN-D9-7230-L	3594	26	72	30	6.0	140
H-HATN-D9-7230-R	3594	26	72	30	6.0	140
<b>w/ Grommet</b>						
H-HATH-D6-6030-L	3559	26	60	30	4.0	132
H-HATH-D6-6630-L	3565	26	66	30	5.0	136
H-HATH-D6-7230-L	3584	26	72	30	6.0	140
H-HATH-D6-6030-R	3559	26	60	30	4.0	132
H-HATH-D6-6630-R	3565	26	66	30	5.0	136
H-HATH-D6-7230-R	3584	26	72	30	6.0	140
H-HATH-D9-6030-L	3572	26	60	30	4.0	132
H-HATH-D9-6630-L	3589	26	66	30	5.0	136
H-HATH-D9-7230-L	3610	26	72	30	6.0	140
H-HATH-D9-6030-R	3572	26	60	30	4.0	132
H-HATH-D9-6630-R	3589	26	66	30	5.0	136
H-HATH-D9-7230-R	3610	26	72	30	6.0	140



no Grommet

**What's Included:**

- Worksurface
- Grommet cover if grommet option is selected

**How to Specify:**

**Notes:**

Woodgrain runs side-to-side

**Options:**

Widths: 24", 30", 36", 42", 48", 54", 60", 66", 72", 78", 84"

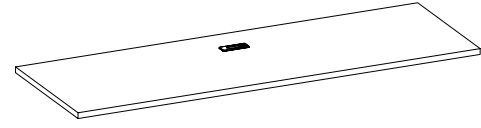
Depths: 19", 24", 30", 36"

Laminate

Paint Finish

Electrics

Code	Price	H	W	D	Volume	Weight
H-WS0N-2419	239	1	24	19	0.4	8
H-WS0N-3019	259	1	30	19	0.4	10
H-WS0N-3619	267	1	36	19	0.4	11
H-WS0N-4219	309	1	42	19	0.5	13
H-WS0N-4819	326	1	48	19	0.5	15
H-WS0N-5419	394	1	54	19	1.0	17
H-WS0N-6019	428	1	60	19	1.0	19
H-WS0N-6619	488	1	66	19	1.0	21
H-WS0N-7219	521	1	72	19	1.0	23
H-WS0N-7819	568	1	78	19	1.0	25
H-WS0N-8419	614	1	84	19	1.0	25
H-WS0N-2424	253	1	24	24	1.0	10
H-WS0N-3024	266	1	30	24	1.0	12
H-WS0N-3624	278	1	36	24	1.0	14
H-WS0N-4224	330	1	42	24	1.0	17
H-WS0N-4824	354	1	48	24	1.0	19
H-WS0N-5424	432	1	54	24	1.0	22
H-WS0N-6024	457	1	60	24	1.0	24
H-WS0N-6624	507	1	66	24	1.0	26
H-WS0N-7224	532	1	72	24	1.0	29
H-WS0N-7824	585	1	78	24	1.0	31
H-WS0N-8424	629	1	84	24	1.0	34
H-WS0N-3630	342	1	36	30	1.0	18
H-WS0N-4230	373	1	42	30	1.0	21
H-WS0N-4830	402	1	48	30	1.0	24
H-WS0N-5430	455	1	54	30	1.0	27
H-WS0N-6030	481	1	60	30	1.0	30
H-WS0N-6630	552	1	66	30	1.0	33
H-WS0N-7230	565	1	72	30	1.0	36
H-WS0N-7830	622	1	78	30	1.0	39
H-WS0N-8430	672	1	84	30	1.0	42
H-WS0N-5436	475	1	54	36	1.0	32
H-WS0N-6036	506	1	60	36	1.0	36
H-WS0N-6636	579	1	66	36	1.0	40
H-WS0N-7236	595	1	72	36	1.0	43
H-WS0N-7836	648	1	78	36	1.0	47
H-WS0N-8436	704	1	84	36	1.0	50



w/ Grommet

**What's Included:**

- Worksurface
- Grommet cover if grommet option is selected

**How to Specify:**

**Notes:**

Woodgrain runs side-to-side  
Grommet in the center back

**Options:**

Widths: 24", 30", 36", 42", 48", 54", 60", 66", 72", 78", 84"

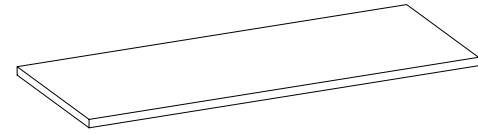
Depths: 19", 24", 30", 36"

Laminate

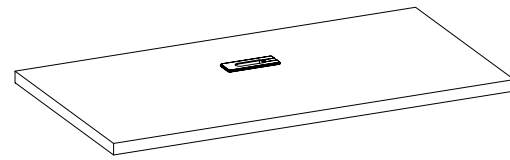
Paint Finish

Electrics

Code	Price	H	W	D	Volume	Weight
H-WS0H-2419	262	1	24	19	0.4	8
H-WS0H-3019	281	1	30	19	0.4	10
H-WS0H-3619	290	1	36	19	0.4	11
H-WS0H-4219	330	1	42	19	0.5	13
H-WS0H-4819	348	1	48	19	0.5	15
H-WS0H-5419	413	1	54	19	1.0	17
H-WS0H-6019	449	1	60	19	1.0	19
H-WS0H-6619	510	1	66	19	1.0	21
H-WS0H-7219	545	1	72	19	1.0	23
H-WS0H-7819	590	1	78	19	1.0	25
H-WS0H-8419	638	1	84	19	1.0	27
H-WS0H-2424	278	1	24	24	1.0	10
H-WS0H-3024	288	1	30	24	1.0	12
H-WS0H-3624	300	1	36	24	1.0	14
H-WS0H-4224	351	1	42	24	1.0	17
H-WS0H-4824	380	1	48	24	1.0	19
H-WS0H-5424	455	1	54	24	1.0	22
H-WS0H-6024	476	1	60	24	1.0	24
H-WS0H-6624	530	1	66	24	1.0	26
H-WS0H-7224	553	1	72	24	1.0	29
H-WS0H-7824	603	1	78	24	1.0	31
H-WS0H-8424	652	1	84	24	1.0	34
H-WS0H-3630	361	1	36	30	1.0	18
H-WS0H-4230	395	1	42	30	1.0	21
H-WS0H-4830	427	1	48	30	1.0	24
H-WS0H-5430	475	1	54	30	1.0	27
H-WS0H-6030	503	1	60	30	1.0	30
H-WS0H-6630	575	1	66	30	1.0	33
H-WS0H-7230	590	1	72	30	1.0	36
H-WS0H-7830	641	1	78	30	1.0	39
H-WS0H-8430	691	1	84	30	1.0	42
H-WS0H-5436	496	1	54	36	1.0	32
H-WS0H-6036	527	1	60	36	1.0	36
H-WS0H-6636	597	1	66	36	1.0	40
H-WS0H-7236	615	1	72	36	1.0	43
H-WS0H-7836	667	1	78	36	1.0	47
H-WS0H-8436	725	1	84	36	1.0	50



no Grommet



With Grommet

**What's Included:**

- Bridge surface
- Grommet cover if grommet option is selected

**How to Specify:**

**Notes:**

Woodgrain runs front to back  
 Grommet in the center back

**Options:**

Widths: 36", 42", 48"

Depths: 19"

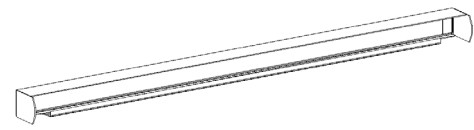
Laminate

Paint Finish

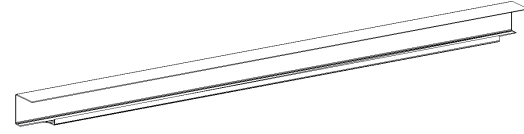
Electrics

Code	Price	H	W	D	Vol.	Wt.
<b>No Grommet</b>						
H-WB0N-3619	267	1	36	19	0.4	11
H-WB0N-4219	309	1	42	19	0.5	13
H-WB0N-4819	326	1	48	19	0.5	15
H-WB0N-3624	278	1	36	24	1.0	14
H-WB0N-4224	330	1	42	24	1.0	17
H-WB0N-4824	354	1	48	24	1.0	19
<b>w/ Grommet</b>						
H-WB0H-3619	290	1	36	19	0.4	11
H-WB0H-4219	330	1	42	19	0.5	13
H-WB0H-4819	348	1	48	19	0.5	15
H-WB0H-3624	300	1	36	24	1.0	14
H-WB0H-4224	351	1	42	24	1.0	17
H-WB0H-4824	380	1	48	24	1.0	19





A-Leg



V-Leg

**What's Included:**

- Reinforcement bar and screws

**How to Specify:**

A-leg reinforcement bar needs to cover the full span between 2 A-legs or 1 A-leg to surface support storage

V-leg reinforcement bar does not connect to legs

**Notes:**

Bridge surfaces are supported by V-leg reinforcement bars

**Options:**

Widths: 24", 33", 39", 42", 45", 48", 51", 54", 57", 60", 63", 66", 69", 72", 78"

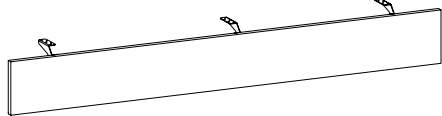
Depths: 2"

Laminate

Paint Finish

Electrics

Code	Price	H	W	D	Vol.	Wt.
<b>A-Leg</b>						
H-HRBA-24	257	2	24	2	0.2	6
H-HRBA-33	264	2	33	2	0.3	8
H-HRBA-39	267	2	39	2	0.3	10
H-HRBA-42	285	2	42	2	0.4	10
H-HRBA-45	294	2	45	2	0.4	11
H-HRBA-48	297	2	48	2	0.4	12
H-HRBA-51	310	2	51	2	0.4	13
H-HRBA-54	319	2	54	2	0.5	13
H-HRBA-57	327	2	57	2	1.0	14
H-HRBA-60	333	2	60	2	1.0	15
H-HRBA-63	337	2	63	2	1.0	16
H-HRBA-66	348	2	66	2	1.0	16
H-HRBA-69	352	2	69	2	1.0	17
H-HRBA-72	374	2	72	2	1.0	18
H-HRBA-78	375	2	78	2	1.0	19
<b>V-Leg</b>						
H-HRBV-24	119	2	24	2	0.2	6
H-HRBV-33	122	2	33	2	0.3	8
H-HRBV-39	128	2	39	2	0.3	10
H-HRBV-42	142	2	42	2	0.4	10
H-HRBV-45	154	2	45	2	0.4	11
H-HRBV-48	156	2	48	2	0.4	12
H-HRBV-51	164	2	51	2	0.4	13
H-HRBV-54	178	2	54	2	0.5	13
H-HRBV-57	184	2	57	2	1.0	14
H-HRBV-60	190	2	60	2	1.0	15
H-HRBV-63	193	2	63	2	1.0	16
H-HRBV-66	205	2	66	2	1.0	16
H-HRBV-69	210	2	69	2	1.0	17
H-HRBV-72	230	2	72	2	1.0	18
H-HRBV-78	231	2	78	2	1.0	19



Modesty

**What's Included:**

- 6"H laminate modesty and mounting brackets

**How to Specify:**

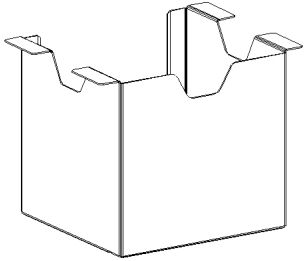
**Notes:**

woodgrain on the modesty runs horizontally

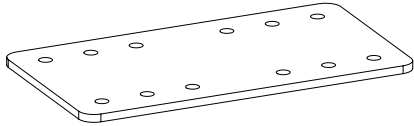
**Options:**

- Widths: 40", 43", 46", 49", 53, 53", 55", 59", 61", 64", 65", 66", 67", 71", 72", 73", 77", 79"
- Depths: 0.75"
- Laminate
- Paint Finish
- Electrics

Code	Price	H	W	D	Vol.	Wt.
H-TM-0640	257	6	40	1	0.3	5
H-TM-0643	262	6	43	1	0.3	5
H-TM-0646	264	6	46	1	0.3	6
H-TM-0649	266	6	49	1	0.3	6
H-TM-0652	268	6	52	1	0.4	6
H-TM-0653	270	6	53	1	0.4	6
H-TM-0655	271	6	55	1	0.4	7
H-TM-0658	277	6	55	1	0.4	7
H-TM-0659	278	6	59	1	0.4	7
H-TM-0661	279	6	61	1	0.4	7
H-TM-0664	282	6	64	1	0.4	8
H-TM-0665	283	6	65	1	0.4	8
H-TM-0666	285	6	66	1	0.4	8
H-TM-0667	286	6	67	1	0.5	8
H-TM-0670	287	6	67	1	0.5	8
H-TM-0671	288	6	71	1	0.5	9
H-TM-0672	289	6	72	1	0.5	9
H-TM-0673	290	6	73	1	0.5	9
H-TM-0677	293	6	77	1	1.0	9
H-TM-0678	294	6	77	1	1.0	9
H-TM-0679	297	6	79	1	1.0	9



Support Box



WS to WS Flush Plate

**What's Included:**

- Worksurface support & hardware

**How to Specify:**

A-leg reinforcement bar needs to cover the full span between 2 A-legs or 1 A-leg to surface support storage

V-leg reinforcement bar does not connect to legs

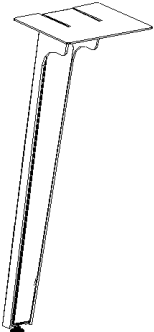
**Notes:**

Bridge surfaces are supported by V-leg reinforcement bars

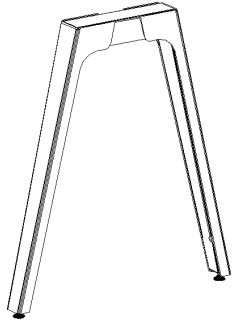
**Options:**

- Widths: 24", 33", 39", 42", 45", 48", 51", 54", 57", 60", 63", 66", 69", 72", 78"
- Depths: 2"
- Laminate
- Paint Finish
- Electrics

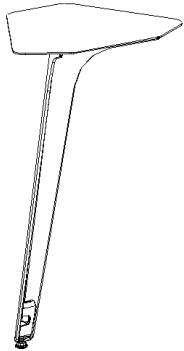
Code	Price	H	W	D	Vol.	Wt.
<b>Support Box</b>						
H-HBOX	140	2	78	2	1.0	19
<b>WS to WS Flush Plate</b>						
H-HFP	43	2	78	2	1.0	19



Single A-Leg



Double A-Leg



Single V-Leg

**What's Included:**

- Table Support Leg & Hardware

**How to Specify:**

**Notes:**

One of the A-Legs will come with an infill with a small hole to run wires out the bottom

**Options:**

Widths: 2" \_\_\_\_\_

Depths: 2" \_\_\_\_\_

Laminate \_\_\_\_\_

Paint Finish \_\_\_\_\_

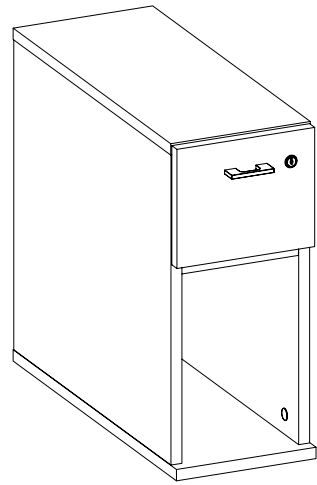
Electrics \_\_\_\_\_

Code	Price	H	W	D	Volume	Weight
<b>A-Leg</b>						
Single/Seated Height						
H-HTA1-28	398	28	2	2	1.0	5
Double/Seated Height						
H-HTA2-2824	616	28	2	2	1.0	5
H-HTA2-2830	627	28	2	2	1.0	6
H-HTA2-2836	637	28	2	2	1.0	7
H-HTA2-2842	703	28	2	2	1.0	8
H-HTA2-2848	711	28	2	2	1.0	9
Double/Standing Height						
H-HTA2-4136	782	28	2	2	1.0	7
H-HTA2-4142	845	28	2	2	1.0	8
H-HTA2-4148	858	28	2	2	1.0	9
<b>V-Leg</b>						
Single/Seated Height						
H-HTV1-28	351	28	2	2	1.0	5
Single/Standing Height						
H-HTV1-41	419	28	2	2	1.0	7

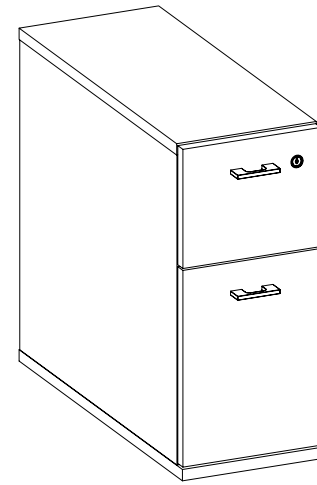


# Halifax Pricebook May 2023 Storage

Pedestal	
Underdesk	106
Underdesk w/ hinged Door	108
Mobile	110
Lateral	
Underdesk & Freestanding Box/File	112
Single File	114
Freestanding File Drawers	116
Freestanding w/ Shelf	118
Underdesk w/ Shelf	119
Low Credenza	
Hinged Doors	120
Sliding Doors	122
Open & Lateral	124
End Cap	126
High Credenza	
Hinged Door	128
Lateral & Doors	130
Open & Lateral	132
Shelf Above Sliding Door	134
Open Shelf Above Lateral	136
Credenza   Raised Back	137
Credenza Open End Box w/ Top	138
Cushion	140
Gallery Wall	142
Mobile Credenza   Open & Lateral	144
Hutch	
Laminate w/ Hinged doors	146
Laminate w/ Sliding Door	148
Metal w/ Hinged doors	150
Metal w/ Sliding Door	152
Wall Mounted w/ Hinged door	154
Wall mounted w/ Sliding Door	156
Accent Shelf	158
Combo Cabinet   Open Shelf/File Drawer	160
Combo Cabinet   Lateral Storage	162
Locker Tower w/shelves	164
Locker w/ side access	166
Bookcase	168
Audio Visual Unit	170
Support	171
Audio Visual   Mounted Video Table	172



Box/Open



Box/File

**What's Included:**

- Underdesk Box/Open Pedestal or
- Underdesk Box/File Pedestal

**How to Specify:**

- Legs to be specified separately

**Notes:**

**Options:**

Widths: 10", 16"

Depths: 19", 24", 30"

Laminate

Paint Finish

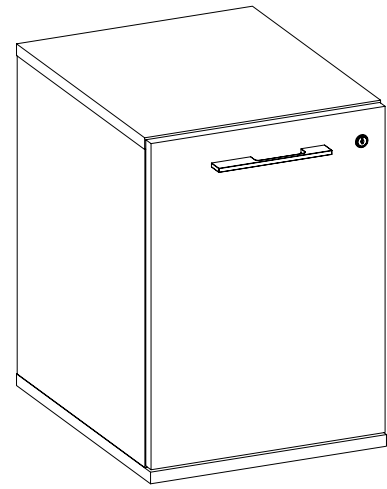
Electrics

**Box/Open**

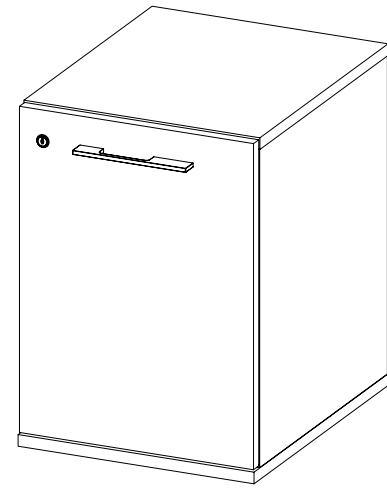
Code	Price	H	W	D	Volume	Weight
H-FPBO-281019	725	28	10	19	3.0	20
H-FPBO-281619	779	28	16	19	4.0	34
H-FPBO-281624	825	28	16	24	5.0	43
H-FPBO-281024	758	28	10	19	3.0	26
H-FPBO-281030	805	28	10	19	4.0	32
H-FPBO-281630	879	28	16	30	7.0	54

**Box/File**

Code	Price	H	W	D	Volume	Weight
H-FPBF-281019	952	28	9.5	19	3.0	22
H-FPBF-281619	982	28	16	19	5.0	39.5
H-FPBF-281024	979	28	9.5	24	3.2	25.54
H-FPBF-281624	999	28	16	24	5.4	43.01
H-FPBF-281030	993	28	9.5	30	4.0	31.92
H-FPBF-281630	1014	28	16	30	6.7	53.76



Left hand hinged door



Right hand hinged door

**What's Included:**

- Underdesk Storage Pedestal

**How to Specify:**

- Legs to be specified separately

**Notes:**

**Options:**

Widths: 10", 16"

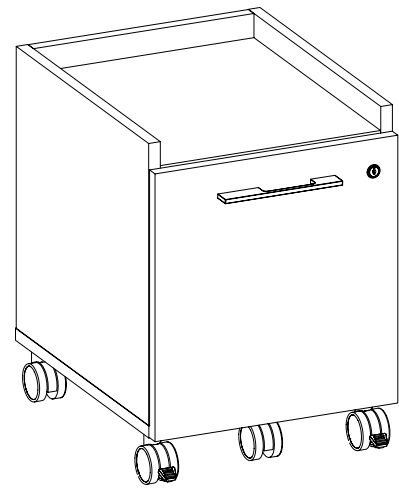
Depths: 19", 24", 30"

Laminate

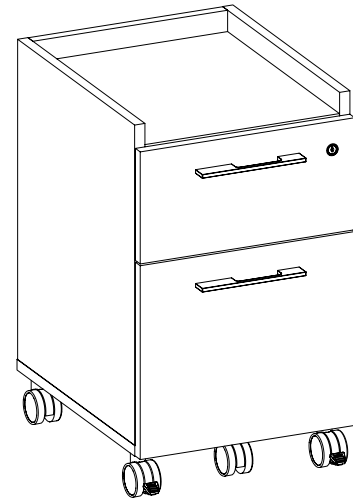
Paint Finish

Electrics

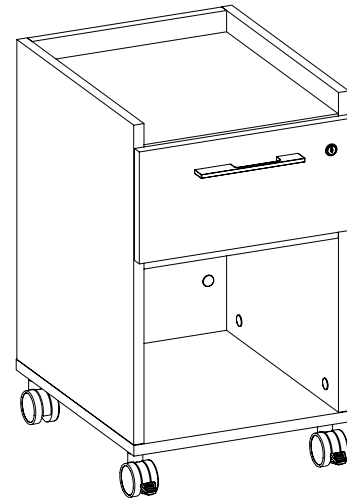
Code	Price	H	W	D	Volume	Weight
H-FPH0-281019-L	704	28	10	19	3.0	20
H-FPH0-281019-R	704	28	10	19	3.0	20
H-FPH0-281619-L	758	28	16	19	4.0	34
H-FPH0-281619-R	758	28	16	19	4.0	34
H-FPH0-281024-L	738	28	10	24	3.0	26
H-FPH0-281024-R	738	28	10	24	3.0	26
H-FPH0-281624-L	805	28	16	24	5.0	43
H-FPH0-281624-R	805	28	16	24	5.0	43
H-FPH0-281030-L	779	28	10	30	3.0	32
H-FPH0-281030-R	779	28	10	30	3.0	32
H-FPH0-281630-L	851	28	16	30	7.0	53
H-FPH0-281630-R	851	28	16	30	7.0	53



File



Box/File



Box Drawer/  
Open Bottom

**What's Included:**

- Mobile Pedestal

**How to Specify:**

- Legs to be specified separately

**Notes:**

**Options:**

Widths: 16"

Depths: 19", 20"

Laminate

Paint Finish

Electrics

Code	Price	H	W	D	Volume	Weight
<b>File</b>						
H-FP0F-221620-M	850	22	16	19	4.0	34
<b>Box/File</b>						
H-FPBF-271620-M	905	27	16	19	4.0	34
<b>Box Drawer/Open Bottom</b>						
H-FPBO-271620-M	898	27	16	20	4.0	34





Underdesk



Freestanding

**What's Included:**

- Underdesk Box/File Lateral

**How to Specify:**

- Legs to be specified separately

**Notes:**

**Options:**

Widths: 24", 30", 36", 42"

Depths: 19", 24"

Laminate

Paint Finish

Electrics

Code	Price	H	W	D	Volume	Weight
<b>Underdesk</b>						
H-FLBU-282419	1196	28	24	19	8.0	55
H-FLBU-283019	1258	28	30	19	8.0	60
H-FLBU-283619	1378	28	36	19	10.0	72
H-FLBU-284219	1390	28	42	19	12.0	84
H-FLBU-282424	1239	28	24	24	9.0	59
H-FLBU-283024	1305	28	30	24	8.0	60
H-FLBU-283624	1509	28	36	24	10.0	72
H-FLBU-284224	1451	28	42	24	12.0	84
<b>Freestanding</b>						
H-FLBF-292419	1401	29	24	19	8.0	56
H-FLBF-293019	1476	29	30	19	8.0	60
H-FLBF-293619	1538	29	36	19	10.0	72
H-FLBF-294219	1597	29	42	19	12.0	84
H-FLBF-292424	1442	29	24	24	9.0	60
H-FLBF-293024	1520	29	30	24	10.0	76
H-FLBF-293624	1586	29	36	24	13.0	91
H-FLBF-294224	1650	29	42	24	15.0	106



Single File

**What's Included:**

- Single Lateral

**How to Specify:**

- Legs to be specified separately

**Notes:**

**Options:**

Widths: 24", 30", 36", 42"

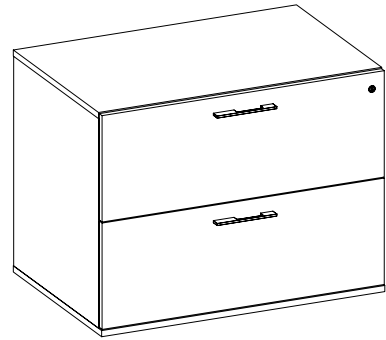
Depths: 19", 24"

Laminate

Paint Finish

Electrics

Code	Price	H	W	D	Volume	Weight
H-FL1F-202419	947	20	24	19	6.0	42
H-FL1F-203019	997	20	30	19	6.0	46
H-FL1F-203619	1048	20	36	19	7.0	55
H-FL1F-204219	1101	20	42	19	8.0	64
H-FL1F-202424	990	20	24	24	6.0	54
H-FL1F-203024	1040	20	30	24	7.0	58
H-FL1F-203624	1096	20	36	24	9.0	69
H-FL1F-204224	1158	20	42	24	10.0	81



2 Drawers



3 Drawers

**What's Included:**

- Freestanding Lateral

**How to Specify:**

- Legs to be specified separately

**Notes:**

**Options:**

Widths: 24", 30", 36", 42"

Depths: 19", 24"

Laminate

Paint Finish

Electrics

Code	Price	H	W	D	Volume	Weight
<b>2 Drawer</b>						
H-FL2F-342419	1379	34	24	19	10.0	72
H-FL2F-343019	1453	34	30	19	10.0	78
H-FL2F-343619	1507	34	36	19	93.0	93
H-FL2F-344219	1614	34	42	19	14.0	109
H-FL2F-342424	1415	34	24	24	10.0	79
H-FL2F-343024	1488	34	30	24	12.0	98
H-FL2F-343624	1601	34	36	24	15.0	118
H-FL2F-344224	1715	34	42	24	17.0	137
<b>3 Drawer</b>						
H-FL3F-472419	2230	47	24	19	13.0	98
H-FL3F-473019	2347	47	30	19	13.0	107
H-FL3F-473619	2430	47	36	19	16.0	129
H-FL3F-474219	2616	47	47	19	19.0	150
H-FL3F-472424	2279	47	24	24	14.0	118
H-FL3F-473024	2399	47	30	24	17.0	135
H-FL3F-473624	2599	47	36	24	20.0	162
H-FL3F-474224	2800	47	47	19	24.0	190



Freestanding w/ Shelf

**What's Included:**

- Underdesk w/shelf

**How to Specify:**

- Legs to be specified separately

**Options:**

Widths: 24",30", 36", 42"

Depths: 19", 24"

Height: 29"

Laminate

Paint Finish

Electrics

**Notes:**

Code	Price	H	W	D	Volume	Weight
H-FLSF-292419	1030	29	24	19	8.0	56
H-FLSF-293019	1085	29	30	19	8.0	60
H-FLSF-293619	1151	29	36	19	10.0	72
H-FLSF-294219	1219	29	42	19	12.0	84
H-FLSF-292424	1087	29	24	19	9.0	60
H-FLSF-293024	1144	29	30	24	10.0	76
H-FLSF-293624	1279	29	36	24	13.0	91
H-FLSF-294224	1291	29	42	19	15.0	106



Underdesk w/ Shelf

**What's Included:**

- Underdesk w/shelf

**How to Specify:**

- Legs to be specified separately

**Options:**

Widths: 24",30", 36", 42"

Depths: 19", 24"

Height: 29"

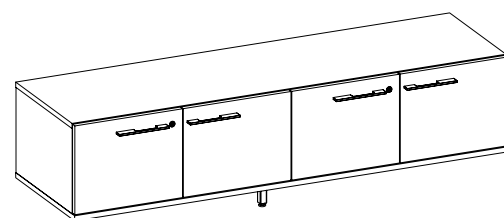
Laminate

Paint Finish

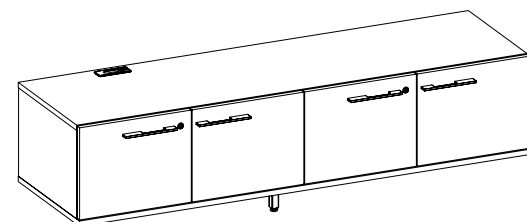
Electrics

**Notes:**

Code	Price	H	W	D	Volume	Weight
H-FLSU-282419	1003	28	24	24	8.3	51
H-FLSU-282424	1057	28	24	19	8.3	56
H-FLSU-283019	1019	28	30	24	8.3	55.11
H-FLSU-283024	1076	28	30	19	8.3	60.14
H-FLSU-283619	1081	28	36	24	8.3	67.23
H-FLSU-283624	1200	28	36	19	8.3	72.56
H-FLSU-284219	1145	28	42	24	8.3	79.15
H-FLSU-284224	1213	28	42	19	8.3	92.13



no Grommet



With Grommet

**What's Included:**

- Low Credenza

**How to Specify:**

- Legs to be specified separately

**Options:**

Widths: 30", 36", 42", 48", 54", 60", 66", 72", 78", 84"

Depths: 16", 19"

Height: 20"

Laminate

Paint Finish

Electrics

**Notes:**

**No Grommet**

Code	Price	H	W	D	Vol.	Wt.
H-CRHH-203016	748	20	30	16	8.0	35
H-CRHH-203616	789	20	36	16	10.0	42
H-CRHH-204216	878	20	42	16	11.0	50
H-CRHH-204816	919	20	48	16	13.0	57
H-CRHH-205416	1001	20	54	16	14.0	65
H-CRHH-206016	1091	20	60	16	16.0	73
H-CRHH-206616	1133	20	66	16	17.0	80
H-CRHH-207216	1173	20	72	16	19.0	88
H-CRHH-207816	1213	20	78	16	21.0	95
H-CRHH-208416	1256	20	84	16	22.0	103

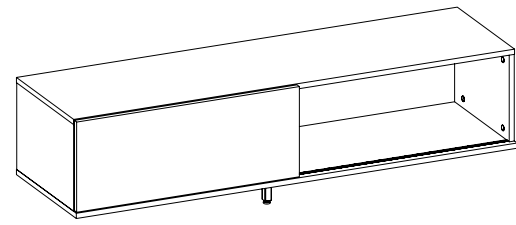
Code	Price	H	W	D	Vol.	Wt.
H-CRHH-204219	964	20	42	16	11.0	53
H-CRHH-203019	823	20	30	19	8.0	38
H-CRHH-203619	867	20	36	19	10.0	46
H-CRHH-204819	1008	20	48	19	13.0	61
H-CRHH-205419	1097	20	54	19	14.0	68
H-CRHH-206019	1196	20	60	19	16.0	76
H-CRHH-206619	1239	20	66	19	17.0	84
H-CRHH-207219	1285	20	72	19	19.0	91
H-CRHH-207819	1332	20	78	19	21.0	99
H-CRHH-208419	1376	20	84	16	22.0	106

**w/Grommet - left hand**

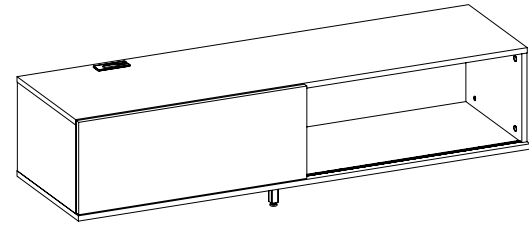
Code	Price	H	W	D	Vol.	Wt.
H-CRHH-203016-L	880	20	30	16	8.0	35
H-CRHH-203616-L	921	20	36	16	10.0	42
H-CRHH-204216-L	1124	20	42	16	11.0	50
H-CRHH-204816-L	1163	20	48	16	13.0	57
H-CRHH-205416-L	1291	20	54	16	14.0	65
H-CRHH-206016-L	1332	20	60	16	16.0	73
H-CRHH-206616-L	1522	20	66	16	17.0	80
H-CRHH-207216-L	1561	20	72	16	19.0	88
H-CRHH-207816-L	1601	20	78	16	21.0	95
H-CRHH-208416-L	1641	20	84	16	22.0	103
H-CRHH-203019-L	906	20	30	19	8.0	38
H-CRHH-203619-L	947	20	36	19	10.0	46
H-CRHH-204219-L	1163	20	42	16	11.0	53
H-CRHH-204819-L	1205	20	48	19	13.0	61
H-CRHH-205419-L	1338	20	54	19	14.0	68
H-CRHH-206019-L	1377	20	60	19	16.0	76
H-CRHH-206619-L	1573	20	66	19	17.0	84
H-CRHH-207219-L	1614	20	72	19	19.0	91
H-CRHH-207819-L	1662	20	78	19	21.0	99
H-CRHH-208419-L	1701	20	84	16	22.0	106

**w/Grommet - right hand**

Code	Price	H	W	D	Vol.	Wt.
H-CRHH-203016-R	880	20	30	16	8.0	35
H-CRHH-203616-R	921	20	36	16	10.0	42
H-CRHH-204216-R	1124	20	42	16	11.0	50
H-CRHH-204816-R	1163	20	48	16	13.0	57
H-CRHH-205416-R	1291	20	54	16	14.0	65
H-CRHH-206016-R	1332	20	60	16	16.0	73
H-CRHH-206616-R	1522	20	66	16	17.0	80
H-CRHH-207216-R	1561	20	72	16	19.0	88
H-CRHH-207816-R	1601	20	78	16	21.0	95
H-CRHH-208416-R	1641	20	84	16	22.0	103
H-CRHH-204219-R	1163	20	42	16	11.0	53
H-CRHH-208419-R	1701	20	84	16	22.0	106
H-CRHH-203019-R	906	20	30	19	8.0	38
H-CRHH-203619-R	947	20	36	19	10.0	46
H-CRHH-204819-R	1205	20	48	19	13.0	61
H-CRHH-205419-R	1338	20	54	19	14.0	68
H-CRHH-206019-R	1377	20	60	19	16.0	76
H-CRHH-206619-R	1573	20	66	19	17.0	84
H-CRHH-207219-R	1614	20	72	19	19.0	91
H-CRHH-207819-R	1662	20	78	19	21.0	99



no Grommet



With Grommet

**What's Included:**

- Low Credenza

**How to Specify:**

- Legs to be specified separately

**Notes:**

**Options:**

Widths: 30", 36", 42", 48", 54", 60", 66", 72", 78", 84"

Depths: 16", 19"

Height:

Laminate

Paint Finish

Electrics

**No Grommet**

Code	Price	H	W	D	Vol.	Wt.
H-CRSD-203016	1085	20	30	16	8.0	28
H-CRSD-203616	1126	20	36	16	10.0	35
H-CRSD-204216	1175	20	42	16	11.0	41
H-CRSD-204816	1219	20	48	16	13.0	48
H-CRSD-205416	1357	20	54	16	14.0	54
H-CRSD-206016	1406	20	60	16	16.0	61
H-CRSD-206616	1450	20	66	16	17.0	66
H-CRSD-207216	1498	20	72	16	19.0	74
H-CRSD-207816	1540	20	78	16	21.0	80
H-CRSD-208416	1590	20	84	16	22.0	86

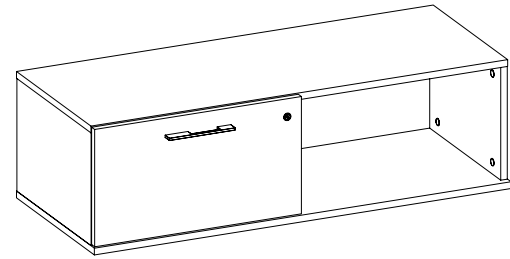
Code	Price	H	W	D	Vol.	Wt.
H-CRSD-203619	1161	20	36	19	10.0	39
H-CRSD-203019	1113	20	30	19	8.0	33
H-CRSD-204219	1211	20	42	19	11.0	46
H-CRSD-204819	1260	20	48	19	13.0	52
H-CRSD-205419	1400	20	54	19	14.0	59
H-CRSD-206019	1450	20	60	19	16.0	65
H-CRSD-206619	1498	20	66	19	17.0	72
H-CRSD-207219	1547	20	72	19	19.0	78
H-CRSD-207819	1604	20	78	19	21.0	85
H-CRSD-208419	1652	20	84	19	22.0	91

**No Grommet- left hand**

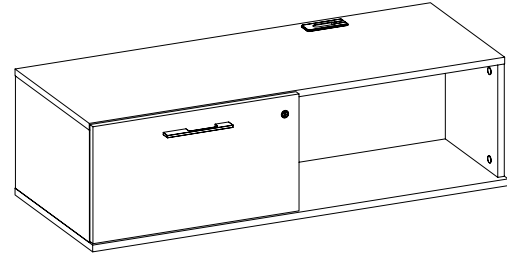
Code	Price	H	W	D	Vol.	Wt.
H-CRSD-203016-L	1150	20	30	16	8.0	28
H-CRSD-203616-L	1198	20	36	16	10.0	35
H-CRSD-204216-L	1247	20	42	16	11.0	41
H-CRSD-204816-L	1296	20	48	16	13.0	48
H-CRSD-205416-L	1443	20	54	16	14.0	54
H-CRSD-206016-L	1492	20	60	16	16.0	61
H-CRSD-206616-L	1543	20	66	16	17.0	66
H-CRSD-207216-L	1592	20	72	16	19.0	74
H-CRSD-207816-L	1640	20	78	16	21.0	80
H-CRSD-208416-L	1690	20	84	16	22.0	86
H-CRSD-203019-L	1185	20	30	19	8.0	33
H-CRSD-203619-L	1234	20	36	19	10.0	39
H-CRSD-204219-L	1289	20	42	19	11.0	46
H-CRSD-204819-L	1339	20	48	19	13.0	52
H-CRSD-205419-L	1486	20	54	19	14.0	59
H-CRSD-206019-L	1543	20	60	19	16.0	65
H-CRSD-206619-L	1592	20	66	19	17.0	72
H-CRSD-207219-L	1646	20	72	19	19.0	78
H-CRSD-207819-L	1695	20	78	19	21.0	85
H-CRSD-208419-L	1752	20	84	19	22.0	91

**w/Grommet- right hand**

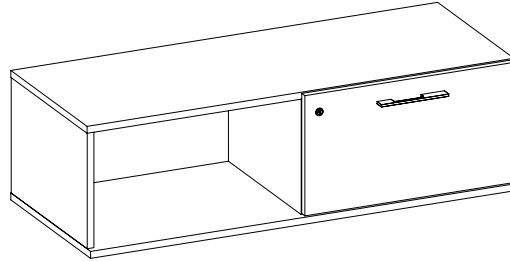
Code	Price	H	W	D	Vol.	Wt.
H-CRSD-203616-R	1198	20	36	16	10.0	35
H-CRSD-203016-R	1150	20	30	16	8.0	28
H-CRSD-204216-R	1247	20	42	16	11.0	41
H-CRSD-204816-R	1296	20	48	16	13.0	48
H-CRSD-205416-R	1443	20	54	16	14.0	54
H-CRSD-206016-R	1492	20	60	16	16.0	61
H-CRSD-206616-R	1543	20	66	16	17.0	66
H-CRSD-207216-R	1592	20	72	16	19.0	74
H-CRSD-207816-R	1640	20	78	16	21.0	80
H-CRSD-208416-R	1690	20	84	16	22.0	86
H-CRSD-203019-R	1185	20	30	19	8.0	33
H-CRSD-203619-R	1234	20	36	19	10.0	39
H-CRSD-204219-R	1289	20	42	19	11.0	46
H-CRSD-204819-R	1339	20	48	19	13.0	52
H-CRSD-205419-R	1486	20	54	19	14.0	59
H-CRSD-206019-R	1543	20	60	19	16.0	65
H-CRSD-206619-R	1592	20	66	19	17.0	72
H-CRSD-207219-R	1646	20	72	19	19.0	78
H-CRSD-207819-R	1695	20	78	19	21.0	85
H-CRSD-208419-R	1752	20	84	19	22.0	91



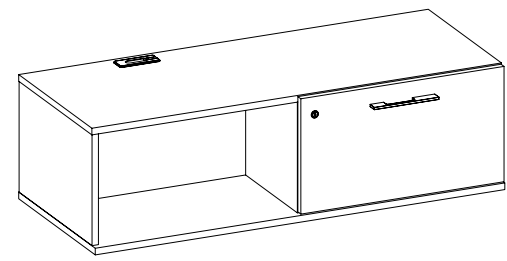
Lateral/Open No Grommet



Lateral/Open With Grommet



Open/Lateral No Grommet



Open/Lateral w/ Grommet

**What's Included:**

- Low Credenza

**How to Specify:**

- Legs to be specified separately

**Notes:**

**Options:**

Widths: 48", 54", 60", 66", 72", 78", 84"

Depths: 19"

Laminate

Paint Finish

Electrics

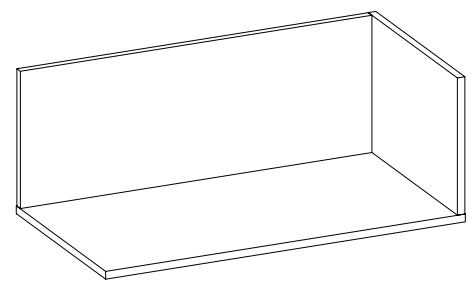
**No Grommet**

Code	Price	H	W	D	Vol.	Wt.
Lateral/Open						
H-CRLO-204819	1152	20	48	19	13.0	61
H-CRLO-205419	1286	20	54	19	14.0	68
H-CRLO-206019	1342	20	60	19	16.0	76
H-CRLO-206619	1384	20	66	19	17.0	84
H-CRLO-207219	1439	20	72	19	19.0	91
H-CRLO-207819	1476	20	78	19	21.0	99
H-CRLO-208419	1531	20	84	19	22.0	106
Open/Lateral						
H-CROL-204819	1152	20	48	19	13.0	61
H-CROL-205419	1286	20	54	19	14.0	68
H-CROL-206019	1342	20	60	19	16.0	76
H-CROL-206619	1384	20	66	19	17.0	84
H-CROL-207219	1439	20	72	19	19.0	91
H-CROL-207819	1476	20	78	19	21.0	99
H-CROL-208419	1531	20	84	19	22.0	106

**w/Grommet**

Code	Price	H	W	D	Vol.	Wt.
Lateral/Open						
H-CRLO-204819-R	1238	20	48	19	13.0	61
H-CRLO-205419-R	1379	20	54	19	14.0	68
H-CRLO-206019-R	1436	20	60	19	16.0	76
H-CRLO-206619-R	1477	20	66	19	17.0	84
H-CRLO-207219-R	1540	20	72	19	19.0	91
H-CRLO-207819-R	1582	20	78	19	21.0	99
H-CRLO-208419-R	1638	20	84	19	22.0	106
Open/Lateral						
H-CROL-204819-L	1238	20	48	19	13.0	61
H-CROL-205419-L	1379	20	54	19	14.0	68
H-CROL-206019-L	1436	20	60	19	16.0	76
H-CROL-206619-L	1477	20	66	19	17.0	84
H-CROL-207219-L	1540	20	72	19	19.0	91
H-CROL-207819-L	1582	20	78	19	21.0	99
H-CROL-208419-L	1638	20	84	19	22.0	106





End Cap-  
LH shown

**What's Included:**

- Low Credenza End Cap Open Shelf

**How to Specify:**

- Legs to be specified separately
- Open to RH or LH

**Notes:**

**Options:**

Widths: 9", 12", 15", 18", 21", 27", 30", 36", 39", 42", 45", 48"

Depths: 16", 19"

Height: 20", 29"

Laminate

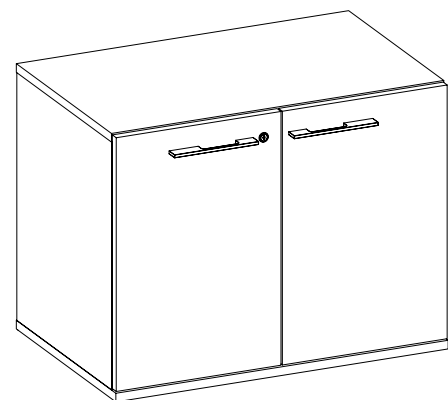
Paint Finish

Electrics?

Code	Price	H	W	D	Vol.	Wt.
H-CREC-200916-L	253	29	9	16	1.0	8
H-CREC-200916-R	253	20	9	16	1.0	8
H-CREC-201216-L	266	20	12	16	2.0	11
H-CREC-201216-R	266	20	12	16	2.0	11
H-CREC-201516-L	276	20	15	16	2.0	14
H-CREC-201516-R	276	20	15	16	2.0	14
H-CREC-201816-L	282	20	18	16	2.0	17
H-CREC-201816-R	282	20	18	16	2.0	17
H-CREC-202116-L	293	20	21	16	2.0	20
H-CREC-202116-R	293	20	21	16	2.0	20
H-CREC-202416-L	309	20	24	16	2.0	23
H-CREC-202416-R	309	20	24	16	2.0	23
H-CREC-202716-L	316	20	27	16	2.0	26
H-CREC-202716-R	316	20	27	16	2.0	26
H-CREC-203016-L	325	20	30	16	2.0	29
H-CREC-203016-R	325	20	30	16	2.0	29
H-CREC-203316-L	338	20	33	16	2.0	32
H-CREC-203316-R	338	20	33	16	2.0	32
H-CREC-203616-L	343	20	36	16	2.0	35
H-CREC-203616-R	343	20	36	16	2.0	35
H-CREC-203916-L	358	20	39	16	2.0	38
H-CREC-203916-R	358	20	39	16	2.0	38
H-CREC-204216-L	363	20	42	16	3.0	41
H-CREC-204216-R	363	20	42	16	3.0	41
H-CREC-204516-L	373	20	45	16	3.0	44
H-CREC-204516-R	373	20	45	16	3.0	44
H-CREC-204816-L	386	20	48	16	3.0	47
H-CREC-204816-R	386	20	48	16	3.0	47

Code	Price	H	W	D	Vol.	Wt.
H-CREC-200919-L	261	20	9	19	2.0	10
H-CREC-200919-R	261	20	9	19	2.0	10
H-CREC-201219-L	276	20	12	19	2.0	13
H-CREC-201219-R	276	20	12	19	2.0	13
H-CREC-201519-L	282	20	15	19	2.0	16
H-CREC-201519-R	282	20	15	19	2.0	16
H-CREC-201819-L	287	20	18	19	2.0	19
H-CREC-201819-R	287	20	18	19	2.0	19
H-CREC-202119-L	293	20	21	19	2.0	22
H-CREC-202119-R	293	20	21	19	2.0	22
H-CREC-202419-L	309	20	24	19	2.0	25
H-CREC-202419-R	309	20	24	19	2.0	25
H-CREC-202719-L	327	20	27	19	2.0	27
H-CREC-202719-R	327	20	27	19	2.0	27
H-CREC-203019-L	339	20	30	19	2.0	31
H-CREC-203019-R	339	20	30	19	2.0	31
H-CREC-203319-L	350	20	33	19	2.0	33
H-CREC-203319-R	350	20	33	19	2.0	33
H-CREC-203619-L	353	20	36	19	2.0	37
H-CREC-203619-R	353	20	36	19	2.0	37
H-CREC-203919-L	365	20	39	19	3.0	40
H-CREC-203919-R	365	20	39	19	3.0	40
H-CREC-204219-L	374	20	42	19	3.0	43
H-CREC-204219-R	374	20	42	19	3.0	43
H-CREC-204519-L	382	20	45	19	3.0	46
H-CREC-204519-R	382	20	45	19	3.0	46
H-CREC-204819-L	397	20	48	19	3.0	49
H-CREC-204819-R	397	20	48	19	3.0	49





High Credenza w/ hinged door

**What's Included:**

- High Credenza

**How to Specify:**

Legs to be specified separately

**Notes:**

**Options:**

Widths: 30", 36", 42", 48", 54", 60", 66", 72", 78", 84"

Depths: 19", 24"

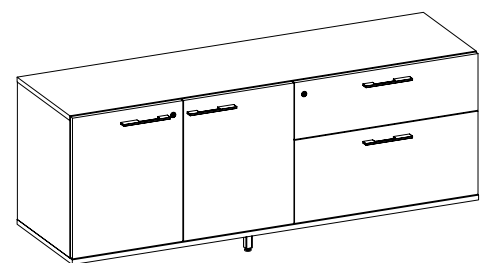
Height: 29"

Laminate

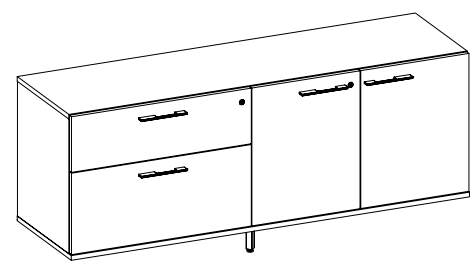
Paint Finish

Electrics

Code	Price	H	W	D	Volume	Weight
H-CRHH-293019	1134	29	30	19	11.0	55
H-CRHH-293619	1221	29	36	19	14.0	66
H-CRHH-294219	1318	29	42	19	16.0	77
H-CRHH-294819	1522	29	48	19	18.0	88
H-CRHH-295419	1684	29	54	19	18.0	96
H-CRHH-296019	1751	29	60	19	23.0	110
H-CRHH-296619	1898	29	66	19	23.0	118
H-CRHH-297219	1960	29	72	19	28.0	132
H-CRHH-297819	2024	29	78	19	28.0	140
H-CRHH-298419	2079	29	84	19	32.0	154
H-CRHH-293024	1200	29	30	24	15.0	70
H-CRHH-293624	1294	29	36	24	17.0	84
H-CRHH-294224	1558	29	42	24	20.0	97
H-CRHH-294824	1632	29	48	24	23.0	111
H-CRHH-295424	1803	29	54	24	18.0	117
H-CRHH-296024	1876	29	60	24	29.0	139
H-CRHH-296624	2037	29	66	24	29.0	145
H-CRHH-297224	2109	29	72	24	35.0	167
H-CRHH-297824	2178	29	78	24	35.0	175
H-CRHH-298424	2247	29	84	24	41.0	195



High Credenza w/ Lateral & Doors



High Credenza w/Doors & Lateral

**What's Included:**

- High Credenza

**How to Specify:**

Legs to be specified separately

**Notes:**

**Options:**

Widths: 48", 54", 60", 66", 72", 78", 84"

Depths: 19", 24"

Height: 29"

Laminate

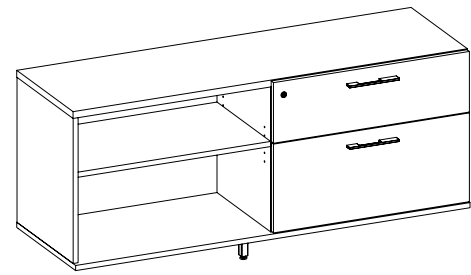
Paint Finish

Electrics

Code	Price	H	W	D	Volume	Weight
<b>Hinged Door &amp; Lateral</b>						
H-CRHL-294819	1549	29	48	19	18.0	76
H-CRHL-295419	1680	29	54	19	18.0	81
H-CRHL-296019	1733	29	60	19	23.0	94
H-CRHL-296619	1775	29	66	18	23.0	100
H-CRHL-297219	1817	29	72	19	28.0	113
H-CRHL-297819	1965	29	78	19	28.0	120
H-CRHL-298419	2028	29	84	19	32.0	132
H-CRHL-294824	1641	29	48	24	23.0	95
H-CRHL-295424	1769	29	54	24	23.0	101
H-CRHL-296024	1836	29	60	24	29.0	119
H-CRHL-296624	1885	29	66	24	29.0	125
H-CRHL-297224	1926	29	72	24	35.0	143
H-CRHL-297824	2091	29	78	24	35.0	150
H-CRHL-298424	2162	29	84	24	41.0	167
<b>Lateral &amp; Hinged Door</b>						
H-CRLH-294819	1549	29	48	19	18.0	76
H-CRLH-295419	1680	29	54	19	18.0	81
H-CRLH-296019	1733	29	60	19	23.0	94
H-CRLH-296619	1775	29	66	19	23.0	100
H-CRLH-297219	1817	29	72	19	28.0	113
H-CRLH-297819	1965	29	78	19	28.0	120
H-CRLH-298419	2028	29	84	19	32.0	132
H-CRLH-294824	1641	29	48	24	23.0	95
H-CRLH-295424	1769	29	54	24	23.0	101
H-CRLH-296024	1836	29	60	24	29.0	119
H-CRLH-296624	1885	29	66	24	29.0	125
H-CRLH-297224	1926	29	72	24	35.0	143
H-CRLH-297824	2091	29	78	24	35.0	150
H-CRLH-298424	2162	29	84	24	41.0	167



High Credenza w/ Lateral & Open



High Credenza w/ Open & Lateral

**What's Included:**

- High Credenza

**How to Specify:**

Legs to be specified separately

**Notes:**

**Options:**

Widths: 48", 60", 72", 84"

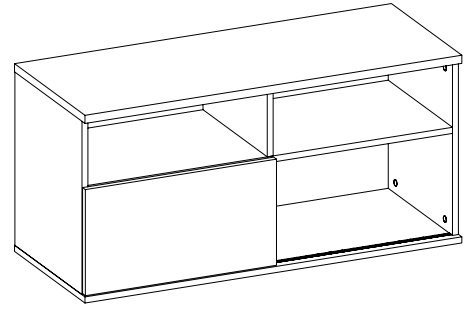
Depths: 19", 24"

Laminate

Paint Finish

Electrics

Code	Price	H	W	D	Volume	Weight
<b>Lateral &amp; Open</b>						
H-CRLO-294819	1605	29	48	19	18.0	88
H-CRLO-296019	1802	29	60	19	23.0	110
H-CRLO-297219	1902	29	72	19	28.0	132
H-CRLO-298419	2011	29	84	19	32.0	154
H-CRLO-294824	1695	29	48	24	23.0	111
H-CRLO-296024	1913	29	60	24	29.0	139
H-CRLO-297224	2028	29	72	24	35.0	167
H-CRLO-298424	2151	29	84	24	41.0	195
<b>Open &amp; Lateral</b>						
H-CROL-294819	1605	29	48	19	18.0	88
H-CROL-296019	1802	29	60	19	23.0	110
H-CROL-297219	1902	29	72	19	28.0	132
H-CROL-298419	2011	29	84	19	32.0	154
H-CROL-294824	1695	29	48	24	23.0	111
H-CROL-296024	1913	29	60	24	29.0	139
H-CROL-297224	2028	29	72	24	35.0	167
H-CROL-298424	2151	29	84	24	41.0	195



High Credenza w/ Shelf above Sliding Door

**What's Included:**

- High Credenza

**How to Specify:**

Legs to be specified separately

**Notes:**

**Options:**

Widths: 48", 54", 60", 66", 72", 78", 84"

Depths: 19", 24"

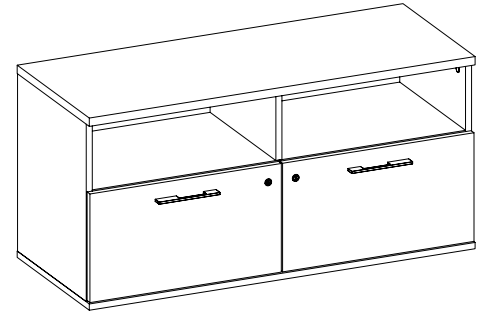
Height: 29"

Laminate

Paint Finish

Electrics

Code	Price	H	W	D	Volume	Weight
H-CRFS-294819	1442	29	48	19	18.4	75.57
H-CRFS-294824	1538	29	48	24	23.2	95.45
H-CRFS-295419	1582	29	54	19	18.4	83
H-CRFS-295424	1691	29	54	24	23.2	86
H-CRFS-296019	1645	29	60	19	23.0	94.46
H-CRFS-296024	1753	29	60	24	29.0	119.31
H-CRFS-296619	1704	29	66	19	23.0	100
H-CRFS-296624	1825	29	66	24	29.0	125
H-CRFS-297219	1762	29	72	19	27.6	113.35
H-CRFS-297224	1894	29	72	24	34.8	143.18
H-CRFS-297819	1825	29	78	19	27.6	120
H-CRFS-297824	1957	29	78	24	34.8	150
H-CRFS-298419	1882	29	84	19	32.1	132.24
H-CRFS-298424	2028	29	84	24	40.6	167.04



High Credenza w/ Open Shelf above Lateral

**What's Included:**

- High Credenza

**How to Specify:**

Legs to be specified separately

**Notes:**

**Options:**

Widths: 48", 54", 60", 66", 72", 78", 84"

Depths: 19", 24"

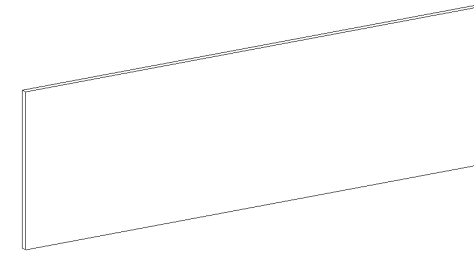
Height: 29"

Laminate

Paint Finish

Electrics

Code	Price	H	W	D	Volume	Weight
H-CRFL-294819	1667	29	48	19	18.4	88.16
H-CRFL-294824	1766	29	48	24	23.2	111.36
H-CRFL-296019	1884	29	60	19	23.0	110.2
H-CRFL-296024	1979	29	60	24	29.0	139.2
H-CRFL-297219	2032	29	72	19	27.6	132.24
H-CRFL-297224	2152	29	72	24	34.8	167.04
H-CRFL-298419	2195	29	84	19	32.1	154.28
H-CRFL-298424	2324	29	84	24	40.6	194.88



Raised Back for Credenza

**What's Included:**

- Laminate raised credenza panel

**How to Specify:**

**Options:**

Widths: 48", 54", 60", 66", 72", 78", 84"

Depths: 0.75"

Height: 18"

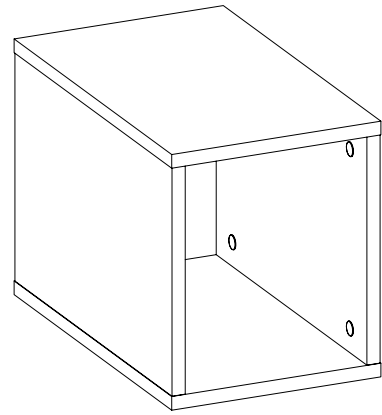
Laminate

Paint Finish

Electrics?

**Notes:**

Code	Price	H	W	D	Volume	Weight
H-CRB0-1848	292	18	48	1	4.0	4
H-CRB0-1854	314	18	54	1	1.0	4
H-CRB0-1860	337	18	60	1	1.0	5
H-CRB0-1866	363	18	66	1	1.1	5.28
H-CRB0-1872	413	18	72	1	1.2	5.76
H-CRB0-1878	450	18	78	1	1.3	6.24
H-CRB0-1884	493	18	84	1	1.4	6.72



Credenza Open End Box

**What's Included:**

- Credenza End Box

**How to Specify:**

- Used beside the Integrated Height Adjustable Table Box to make up the full width
- Legs to be specified separately

**Notes:**

**Options:**

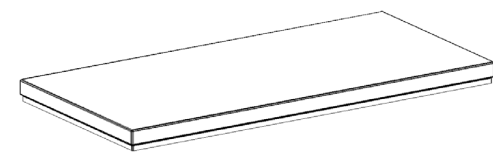
Widths: 9", 12"  
 Depths: 16", 19"  
 Height: 20"

Laminate

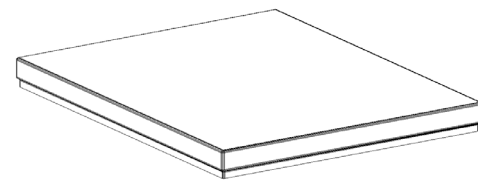
Paint Finish

Electrics?

Code	Price	H	W	D	Volume	Weight
H-CREB-200916	363	20	9	16	2.0	12
H-CREB-201216	404	20	12	16	2.0	14
H-CREB-200919	375	20	9	19	2.0	14
H-CREB-201219	419	20	12	19	3.0	18



Credenza Cushion



Pedestal Cushion

**What's Included:**

- upholstered cushion

**How to Specify:**

- Used beside the Integrated Height Adjustable Table Box to make up the full width
- Legs to be specified separately

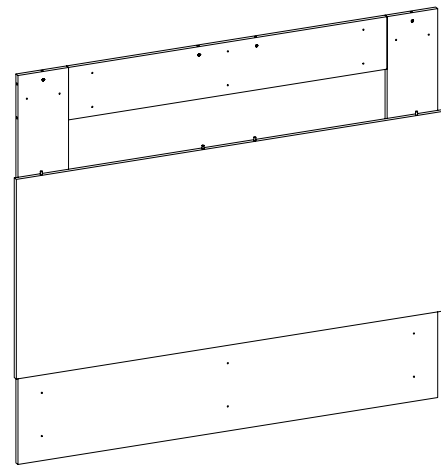
**Notes:**

Credenza cushions leave 1.5" gap on all 4 sides of the credenza top

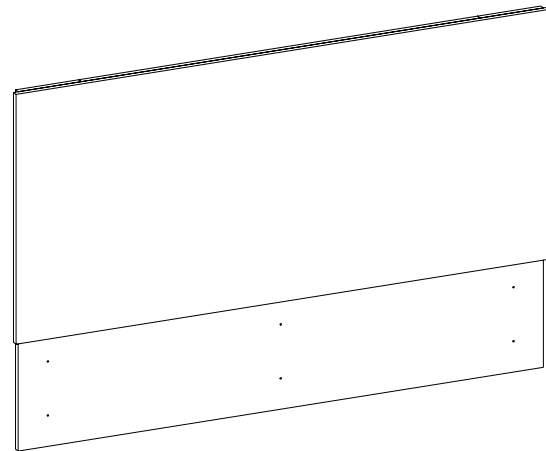
**Options:**

Widths:	21", 27", 33", 39", 45", 51", 57", 63", 69", 75", 81"
Depths:	13, 16"
Height:	2"
Cushion Fabric	

Code	Price	H	W	D	Volume	Weight
<b>Credenza cushion</b>						
H-AC-2113	281	2	21	13	0.2	3
H-AC-2713	316	2	27	13	0.2	4
H-AC-3313	353	2	33	13	0.3	4
H-AC-3913	399	2	39	13	0.3	5
H-AC-4513	435	2	45	13	0.4	6
H-AC-5113	476	2	51	13	0.4	7
H-AC-5713	515	2	57	13	0.5	7
H-AC-6313	556	2	63	13	1.0	8
H-AC-6913	595	2	69	13	1.0	9
H-AC-7513	636	2	75	13	1.0	10
H-AC-8113	674	2	81	13	1.0	11
H-AC-2116	293	2	21	16	0.2	3
H-AC-2716	333	2	27	16	0.3	4
H-AC-3316	374	2	33	16	0.4	5
H-AC-3916	420	2	39	16	0.4	6
H-AC-4516	459	2	45	16	0.5	7
H-AC-5116	503	2	51	16	1.0	8
H-AC-5716	542	2	57	16	1.0	9
H-AC-6316	589	2	63	16	1.0	10
H-AC-6916	627	2	69	16	1.0	11
H-AC-7516	668	2	75	16	1.0	12
H-AC-8116	711	2	81	16	1.0	13
<b>Pedestal Cushion</b>						
H-FPAC-16	278	1.25	16	19	0.7	2



Gallery Wall for Accent Shelves



No Overheads

**What's Included:**

- Gallery wall backer,
- Gallery wall Front

**How to Specify:**

**Notes:**

**Options:**

Widths: 48", 60", 66", 72", 84", 96"

Depths: 0.75"

Height: 33", 49"

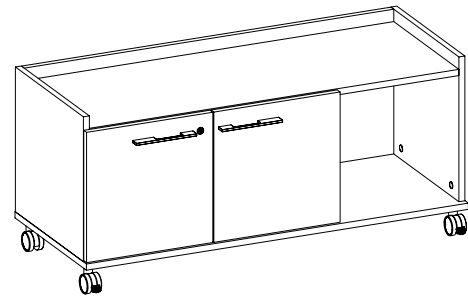
Laminate

Paint Finish

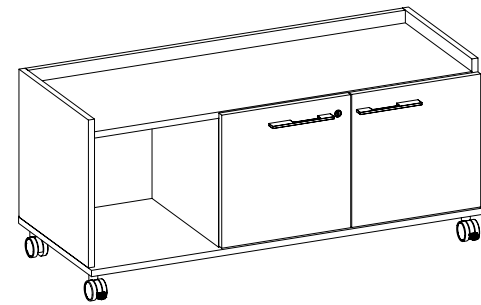
Electrics

Code	Price	H	W	D	Volume	Weight
<b>For Accent Shelves</b>						
H-CGWA-4948	964	49	48	1	0.4	12
H-CGWA-4960	1031	49	60	1	1.0	15
H-CGWA-4972	1118	49	72	1	1.0	18
H-CGWA-4984	1218	49	84	1	1.0	21
H-CGWA-4996	1253	49	96	1	1.0	21
<b>No Overheads</b>						
H-CGWN-3348	932	33	48	1	0.3	8
H-CGWN-3354	964	33	48	1	0.3	9
H-CGWN-3360	999	33	60	1	0.4	10
H-CGWN-3366	1031	33	66	1	0.4	10
H-CGWN-3372	1091	33	72	1	0.5	12
H-CGWN-3378	1124	33	78	1	0.5	13
H-CGWN-3384	1157	33	84	1	1.0	14
H-CGWN-3390	1185	33	90	1	1.0	15
H-CGWN-3396	1218	33	96	1	1.0	17





Mobile Credenza w/ Hinged Door/Open



Mobile Credenza w/Open/Hinged Door

**What's Included:**

- Mobile Credenza

**How to Specify:**

**Notes:**

**Options:**

Widths: 30", 36", 42", 48"

Depths: 19"

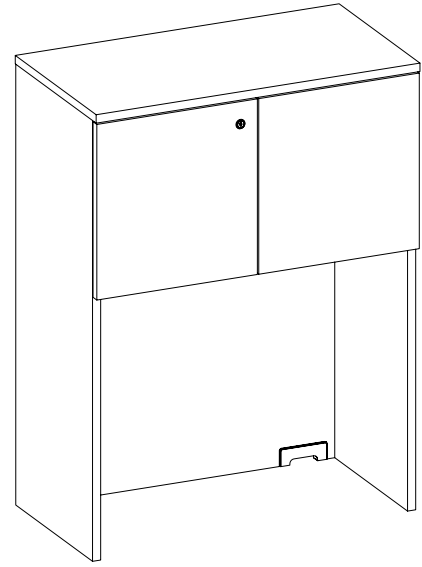
Height: 20"

Laminate

Paint Finish

Electrics?

Code	Price	H	W	D	Volume	Weight
<b>Hinged Door/Open</b>						
H-CMHO-203019	898	20	30	19	17.0	60
H-CMHO-203619	927	20	36	19	17.0	72
H-CMHO-204219	946	20	42	19	17.0	84
H-CMHO-204819	971	20	48	19	17.0	96
<b>Open/Hinged Door</b>						
H-CMOH-203019	898	20	30	19	17.0	60
H-CMOH-203619	927	20	36	19	17.0	72
H-CMOH-204219	946	20	42	19	17.0	84
H-CMOH-204819	971	20	48	19	17.0	96



Laminate w/ hinged Door

**What's Included:**

- Laminate Gable Hutch

**How to Specify:**

To Match the width of the desk or credenza it is mounted on

**Notes:**

Item ships assembled

**Options:**

Widths:

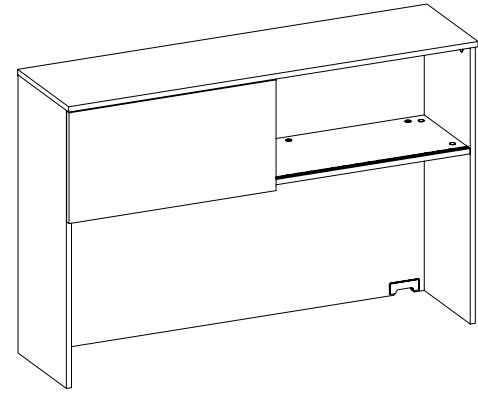
Depths:

Laminate

Paint Finish

Electrics

Code	Price	H	W	D	Volume	Weight
H-SHH0-403016	978	40	30	16	10.0	56
H-SHH0-403616	1030	40	36	16	12.0	67
H-SHH0-404216	1180	40	42	16	14.0	78
H-SHH0-404816	1277	40	48	16	16.0	90
H-SHH0-405416	1387	40	54	16	18.0	101
H-SHH0-406016	1475	40	60	16	19.0	112
H-SHH0-406616	1568	40	66	16	21.0	123
H-SHH0-407216	1646	40	72	16	23.0	134
H-SHH0-407816	1730	40	78	16	25.0	146
H-SHH0-408416	1793	40	84	16	27.0	157
H-SHH0-496016	1563	49	60	16	24.0	137
H-SHH0-496616	1662	49	66	16	26.0	151
H-SHH0-497216	1745	49	72	16	29.0	165
H-SHH0-497816	1834	49	78	16	31.0	178
H-SHH0-498416	1901	49	84	16	33.0	192



Laminate w/ sliding Door

**What's Included:**

- Laminate Gable Hutch

**How to Specify:**

To Match the width of the desk or credenza it is mounted on

**Notes:**

Item ships assembled

**Options:**

Widths: 30", 36", 42", 48", 54", 60", 66", 72", 78" 84"

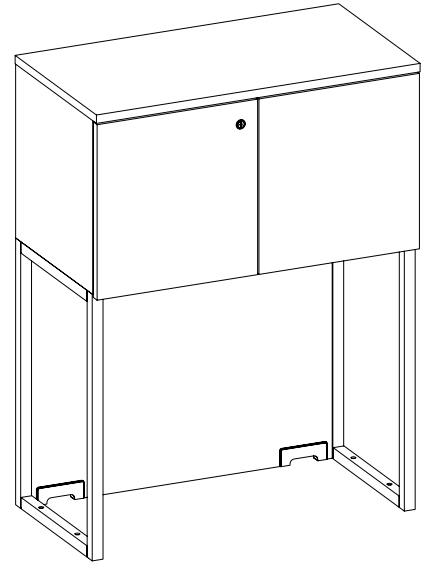
Depths: 16 "

Laminate

Paint Finish

Electrics

Code	Price	H	W	D	Volume	Weight
H-SHS0-403016	1097	40	30	16	10.0	56
H-SHS0-403616	1157	40	36	16	12.0	67
H-SHS0-404216	1279	40	42	16	14.0	78
H-SHS0-404816	1332	40	48	16	16.0	90
H-SHS0-405416	1390	40	54	16	18.0	101
H-SHS0-406016	1444	40	60	16	19.0	112
H-SHS0-406616	1504	40	66	16	21.0	123
H-SHS0-407216	1558	40	72	16	23.0	134
H-SHS0-407816	1619	40	78	16	25.0	146
H-SHS0-408416	1671	40	84	16	27.0	157
H-SHS0-496016	1520	49	60	16	24.0	137
H-SHS0-496616	1577	49	66	16	26.0	151
H-SHS0-497216	1638	49	72	16	29.0	165
H-SHS0-497816	1705	49	78	16	31.0	178
H-SHS0-498416	1766	49	84	16	33.0	192



Metal w/ hinged Door

**What's Included:**

- Metal Gable Hutch

**How to Specify:**

To Match the width of the desk or credenza it is mounted on

**Notes:**

Item ships assembled

**Options:**

Widths: 30", 36", 42", 48", 54", 60", 66", 72", 78" 84"

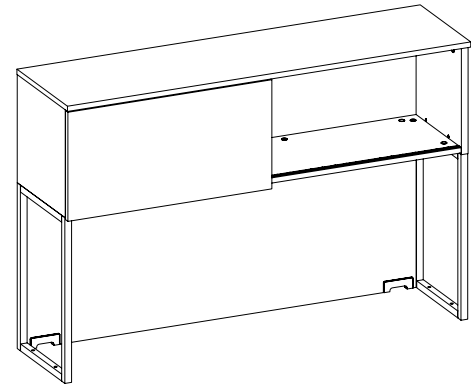
Depths: 16 "

Laminate

Paint Finish

Electrics

Code	Price	H	W	D	Volume	Weight
H-SHHM-403016	1462	40	30	16	10.0	56
H-SHHM-403616	1507	40	36	16	12.0	67
H-SHHM-404216	1713	40	42	16	14.0	78
H-SHHM-404816	1766	40	48	16	16.0	90
H-SHHM-405416	1813	40	54	16	18.0	101
H-SHHM-406016	1866	40	60	16	19.0	112
H-SHHM-406616	2070	40	66	16	19.0	123
H-SHHM-407216	2115	40	72	16	23.0	134
H-SHHM-407816	2169	40	75	16	25.0	146
H-SHHM-408416	2215	40	84	16	27.0	157
H-SHHM-496016	1946	49	60	16	24.0	137
H-SHHM-496616	2155	49	66	16	26.0	151
H-SHHM-497216	2211	49	72	16	29.0	165
H-SHHM-497816	2263	49	78	16	31.0	178
H-SHHM-498416	2314	49	84	16	33.0	192



Metal w/ sliding Door

**What's Included:**

- Metal Gable Hutch

**How to Specify:**

To Match the width of the desk or credenza it is mounted on

**Notes:**

Item ships assembled

**Options:**

Widths: 30", 36", 42", 48", 54", 60", 66", 72", 78" 84"

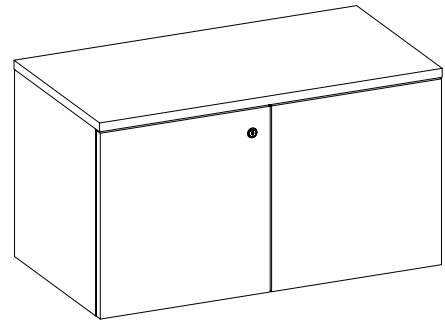
Depths: 16 "

Laminate

Paint Finish

Electrics

Code	Price	H	W	D	Volume	Weight
H-SHSM-403016	1642	40	30	16	10.0	56
H-SHSM-403616	1703	40	36	16	12.0	67
H-SHSM-404216	1755	40	42	16	14.0	78
H-SHSM-404816	1815	40	48	16	16.0	90
H-SHSM-405416	1868	40	54	16	18.0	101
H-SHSM-406016	1928	40	60	16	19.0	112
H-SHSM-406616	1982	40	66	16	21.0	123
H-SHSM-407216	2042	40	72	16	23.0	134
H-SHSM-407816	2094	40	78	16	25.0	146
H-SHSM-408416	2155	40	84	16	27.0	157
H-SHSM-496016	2008	49	60	16	24.0	137
H-SHSM-496616	2069	49	66	16	26.0	151
H-SHSM-497216	2129	49	72	16	29.0	165
H-SHSM-497816	2188	49	78	16	31.0	178
H-SHSM-498416	2254	49	84	16	33.0	192



Wall mounted w/ hinged Door

**What's Included:**

- Wall mounted hinged door hutch

**How to Specify:**

To Match the width of the desk or credenza it is mounted on

**Notes:**

Item ships assembled

**Options:**

Widths: 30", 36", 42", 48", 54", 60", 66", 72", 78" 84"

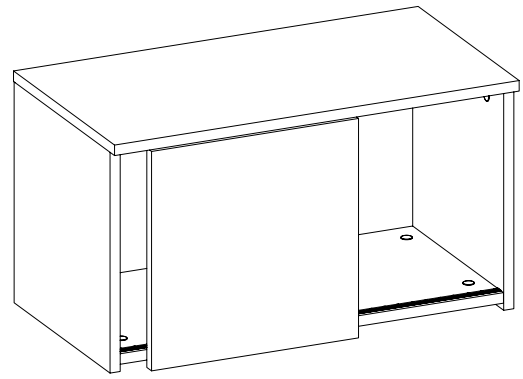
Depths: 16 "

Laminate

Paint Finish

Electrics

Code	Price	H	W	D	Volume	Weight
H-SWH0-153016	748	15	30	16	10.0	56
H-SWH0-153616	789	15	36	16	12.0	67
H-SWH0-154216	878	15	42	16	14.0	78
H-SWH0-154816	919	15	48	16	16.0	90
H-SWH0-155416	957	15	54	16	18.0	101
H-SWH0-156016	1049	15	60	16	19.0	112
H-SWH0-156616	1089	15	66	16	21.0	123
H-SWH0-157216	1130	15	72	16	23.0	134
H-SWH0-157816	1172	15	78	16	25.0	146
H-SWH0-158416	1212	15	84	16	27.0	157



Wall mounted w/ sliding Door

**What's Included:**

- Wall mounted sliding door hutch

**How to Specify:**

To Match the width of the desk or credenza it is mounted on

**Notes:**

Item ships assembled

**Options:**

Widths: 30", 36", 42", 48", 54", 60", 66", 72", 78" 84"

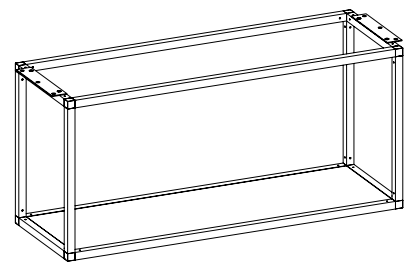
Depths: 16 "

Laminate

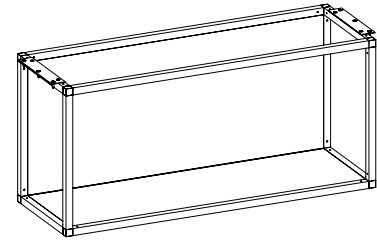
Paint Finish

Electrics

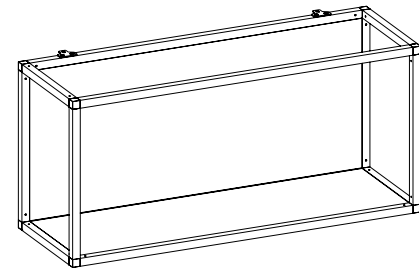
Code	Price	H	W	D	Volume	Weight
H-SWS0-153016	903	15	30	16	10.0	56
H-SWS0-153616	948	15	36	16	12.0	67
H-SWS0-154216	994	15	42	16	14.0	78
H-SWS0-154816	1038	15	42	16	16.0	90
H-SWS0-155416	1078	15	54	16	18.0	101
H-SWS0-156016	1123	15	60	16	19.0	112
H-SWS0-156616	1166	15	66	16	21.0	123
H-SWS0-157216	1212	15	72	16	23.0	134
H-SWS0-157816	1257	15	78	16	25.0	146
H-SWS0-158416	1295	15	84	16	27.0	157



Side Mount/ No Back



Side Mount w/ Back



Gallery Wall Mount w/Back

**What's Included:**

- Accent Shelf

**How to Specify:**

Side mount accent shelf needs storage supporting the shelf on LH and RH

**Notes:**

Gallery wall mounted accent shelf cannot be mounted to a drywall

**Options:**

Widths: 30", 36", 42", 48"

Depths: 12"

Height: 16.5"

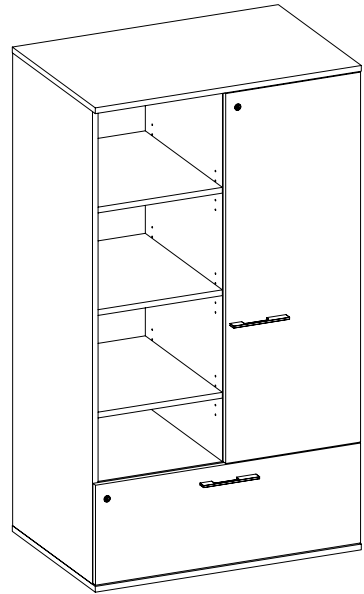
Laminate

Paint Finish

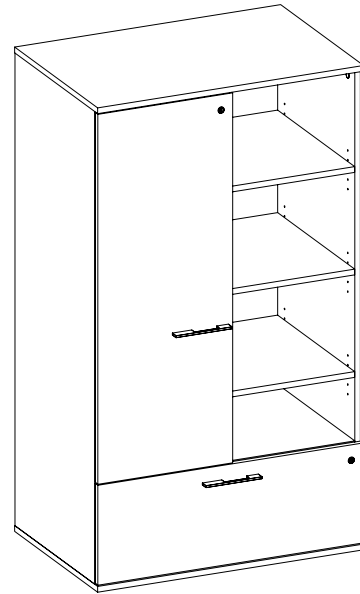
Electrics

Code	Price	H	W	D	Volume	Weight
<b>Side Mount/ No Back</b>						
H-ASSM-163012	2057	17	30	12	9.0	50
H-ASSM-163612	2101	17	36	12	11.0	60
H-ASSM-164212	2169	17	42	12	12.0	71
H-ASSM-164812	2241	16	48	12	14.0	81
<b>Side Mount w/ Back</b>						
H-ASSM-163012-B	2166	17	30	12	9.0	50
H-ASSM-163612-B	2211	17	36	12	11.0	60
H-ASSM-164212-B	2277	17	42	12	12.0	71
H-ASSM-164812-B	2350	17	48	12	14.0	81
<b>Gallery Wall Mount w/Back</b>						
H-ASWM-163012	2166	17	30	12	9.0	50
H-ASWM-163612	2211	15	36	12	11.0	60
H-ASWM-164212	2277	17	42	12	12.0	71
H-ASWM-164812	2350	16	48	12	14.0	81





Combo Cabinet - Right w/Open Shelf/File Drawer



Combo Cabinet - Left w/Open Shelf/File Drawer

**What's Included:**

- Combo Closet

**How to Specify:**

Legs to be specified separately

**Notes:**

**Options:**

Widths: 24", 30", 36"

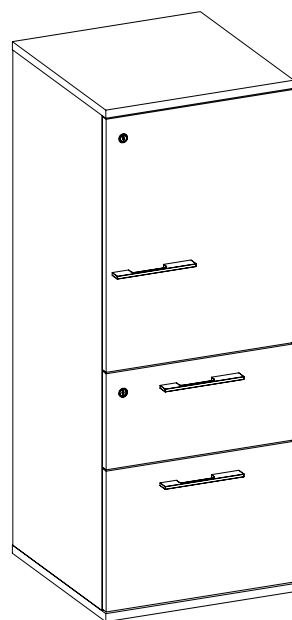
Depths: 19", 24"

Laminate

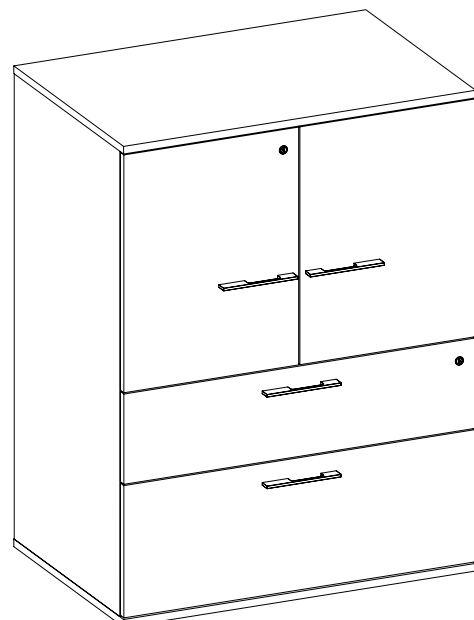
Paint Finish

Electrics

Code	Price	H	W	D	Volume	Weight
H-FCCF-532419-L	1429	53	24	19	13.0	102
H-FCCF-533019-L	1564	53	30	19	13.0	102
H-FCCF-533619-L	1650	53	36	19	13.0	102
H-FCCF-532419-R	1429	53	24	19	13.0	102
H-FCCF-533019-R	1564	53	30	19	13.0	102
H-FCCF-533619-R	1650	53	36	19	13.0	102
H-FCCF-532424-L	1450	53	24	24	15.0	122
H-FCCF-533024-L	1658	53	30	24	15.0	122
H-FCCF-533624-L	1751	53	36	24	15.0	122
H-FCCF-532424-R	1450	53	24	24	15.0	122
H-FCCF-533024-R	1658	53	30	24	15.0	122
H-FCCF-533624-R	1751	53	36	24	15.0	122
H-FCCF-692419-L	1521	69	24	19	17.0	132
H-FCCF-693019-L	1709	69	30	19	17.0	132
H-FCCF-693619-L	1812	69	36	19	17.0	132
H-FCCF-692419-R	1521	69	24	19	17.0	132
H-FCCF-693019-R	1709	69	30	19	17.0	132
H-FCCF-693619-R	1812	69	36	19	17.0	132
H-FCCF-692424-L	1593	69	24	24	20.0	159
H-FCCF-693024-L	1825	69	30	24	20.0	159
H-FCCF-693624-L	1932	69	36	24	20.0	159
H-FCCF-692424-R	1593	69	24	24	20.0	159
H-FCCF-693024-R	1825	69	30	24	20.0	159
H-FCCF-693624-R	1932	69	36	24	20.0	159



Combo Cabinet w/ single door



Combo Cabinet w/ double door

**What's Included:**

- Combo Cabinet

**How to Specify:**

Legs to be specified separately

**Notes:**

**Options:**

Widths: 18", 24", 30", 36", 42"

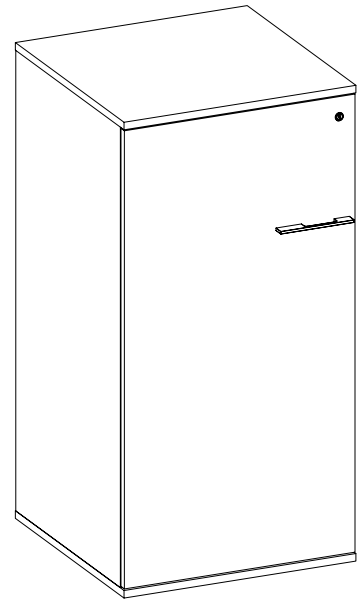
Depths: 19", 24"

Laminate

Paint Finish

Electrics

Code	Price	H	W	D	Volume	Weight
<b>Single door</b>						
H-FCSL-531819-L	1467	53	18	19	13.0	95
H-FCSL-531819-R	1467	53	18	19	13.0	95
H-FCSL-531824-L	1544	53	18	24	13.0	99
H-FCSL-531824-R	1544	53	18	24	13.0	99
H-FCSL-691819-L	1659	69	18	19	17.0	122
H-FCSL-691819-R	1659	69	18	19	17.0	122
H-FCSL-691824-L	1714	69	18	24	17.0	130
H-FCSL-691824-R	1714	69	18	24	17.0	130
<b>Double Door</b>						
H-FCSL-532419	1832	53	24	19	13.0	102
H-FCSL-533019	1946	53	30	19	16.0	127
H-FCSL-533619	2066	53	36	19	19.0	153
H-FCSL-534219	2178	53	36	24	22.0	178
H-FCSL-532424	1916	53	24	19	15.0	122
H-FCSL-533024	2042	53	30	24	19.0	153
H-FCSL-533624	2169	53	36	24	23.0	183
H-FCSL-534224	2283	53	42	24	27.0	214
H-FCSL-692419	2010	69	24	19	17.0	132
H-FCSL-693019	2142	69	30	19	21.0	166
H-FCSL-693619	2229	69	36	19	25.0	199
H-FCSL-694219	2342	69	42	19	29.0	232
H-FCSL-692424	2122	69	24	24	20.0	159
H-FCSL-693024	2269	69	30	24	25.0	199
H-FCSL-693624	2416	69	36	24	30.0	238
H-FCSL-694224	2529	69	42	19	35.0	278



Locker Tower with Shelves

**What's Included:**

- Locker Tower with Shelves

**How to Specify:**

Legs to be specified separately

**Notes:**

**Options:**

Widths: 12", 18", 24"

Depths: 16", 19", 24", 30"

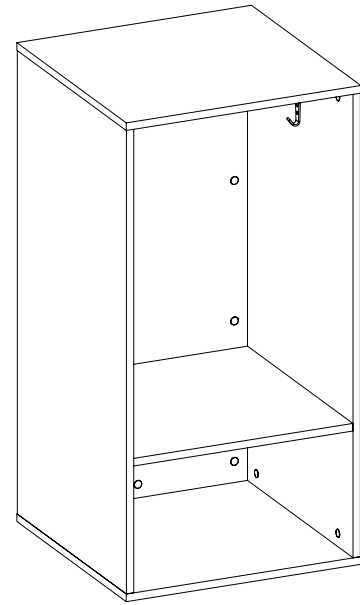
Laminate

Paint Finish

Electrics

Code	Price	H	W	D	Vol.	Wt.
H-FCKT-531216-L	1124	53	12	16	5.0	34
H-FCKT-531816-L	1238	53	18	16	7.0	51
H-FCKT-532416-L	1362	53	24	16	11.0	68
H-FCKT-531216-R	1124	53	12	16	5.0	34
H-FCKT-531816-R	1238	53	18	16	7.0	51
H-FCKT-532416-R	1362	53	24	16	11.0	68
H-FCKT-531219-L	1174	53	12	19	6.0	40
H-FCKT-531819-L	1318	53	18	19	8.0	60
H-FCKT-532419-L	1450	53	24	19	10.0	81
H-FCKT-531219-R	1174	53	12	19	6.0	40
H-FCKT-531819-R	1318	53	18	19	8.0	60
H-FCKT-532419-R	1450	53	24	19	10.0	81
H-FCKT-531224-L	1269	53	12	24	7.0	51
H-FCKT-531824-L	1411	53	18	24	9.0	76
H-FCKT-532424-L	1558	53	24	24	11.0	102
H-FCKT-531224-R	1269	53	12	24	7.0	51
H-FCKT-531824-R	1411	53	18	24	9.0	76
H-FCKT-532424-R	1558	53	24	24	11.0	102
H-FCKT-531230-L	1367	53	12	30	8.0	64
H-FCKT-531830-L	1509	53	18	30	10.0	95
H-FCKT-532430-L	1668	53	24	30	12.0	127
H-FCKT-531230-R	1367	53	12	30	8.0	64
H-FCKT-531830-R	1509	53	18	30	10.0	95

Code	Price	H	W	D	Vol.	Wt.
H-FCKT-532430-R	1668	53	24	30	12.0	127
H-FCKT-691216-L	1272	69	12	16	13.0	44
H-FCKT-691816-L	1415	69	18	16	9.0	66
H-FCKT-692416-L	1563	69	24	16	12.0	88
H-FCKT-691216-R	1272	69	12	16	13.0	44
H-FCKT-691816-R	1415	69	18	16	9.0	66
H-FCKT-692416-R	1563	69	24	16	12.0	88
H-FCKT-691219-L	1360	69	12	19	6.0	52
H-FCKT-691819-L	1503	69	18	19	9.0	79
H-FCKT-692419-L	1664	69	24	19	13.0	105
H-FCKT-691219-R	1360	69	12	19	6.0	52
H-FCKT-691819-R	1503	69	18	19	9.0	79
H-FCKT-692419-R	1664	69	24	19	13.0	105
H-FCKT-691224-L	1502	69	12	24	7.0	66
H-FCKT-691824-L	1618	69	18	24	10.0	99
H-FCKT-692424-L	1792	69	24	24	14.0	132
H-FCKT-691224-R	1502	69	12	24	7.0	66
H-FCKT-691824-R	1618	69	18	24	10.0	99
H-FCKT-692424-R	1792	69	24	24	14.0	132
H-FCKT-691230-L	1587	69	12	30	8.0	83
H-FCKT-691830-L	1730	69	18	30	11.0	124
H-FCKT-692430-L	1918	69	24	30	15.0	166
H-FCKT-691230-R	1587	69	12	30	8.0	83



Side Access Locker w/ Open Shelf/Open Bottom

**What's Included:**

- Side Access Locker with a shelf and coat hooks

**How to Specify:**

Legs to be specified separately

**Notes:**

**Options:**

Widths: 12", 18", 24"

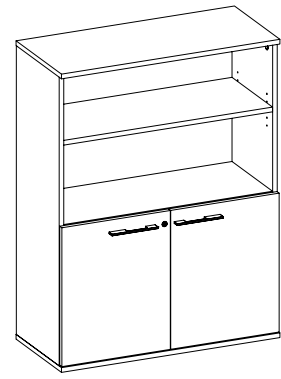
Depths: 16", 19", 24"

Laminate

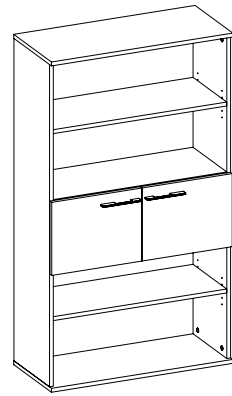
Paint Finish

Electrics

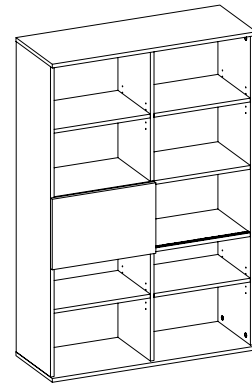
Code	Price	H	W	D	Volume	Weight
H-FCCO-531816	777	53	18	16	7.0	44
H-FCCO-532416	831	53	16	24	10.0	58
H-FCCO-531819	876	53	18	19	8.0	52
H-FCCO-532419	886	53	24	19	11.0	69
H-FCCO-531824	882	53	18	24	9.0	65
H-FCCO-532424	943	53	24	24	12.0	87
H-FCCO-691816	850	69	18	16	9.0	57
H-FCCO-692416	910	69	24	16	12.0	76
H-FCCO-691819	895	69	18	19	10.0	67
H-FCCO-692419	960	69	19	24	13.0	90
H-FCCO-691824	976	69	18	24	11.0	85
H-FCCO-692424	1051	69	24	24	14.0	114



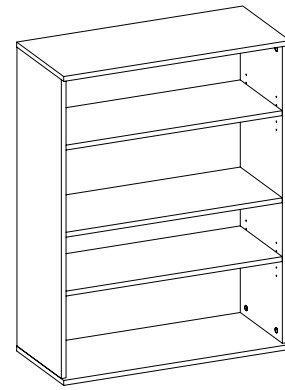
Bottom hinged



Middle hinged



Sliding Door



Open

**What's Included:**

- Bookcase

**How to Specify:**

Legs to be specified separately

**Notes:**

**Options:**

Widths: 24", 30", 36", 42", 48", 54", 60"

Depths: 16"

Height: 53", 69"

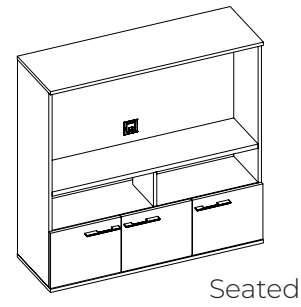
Laminate

Paint Finish

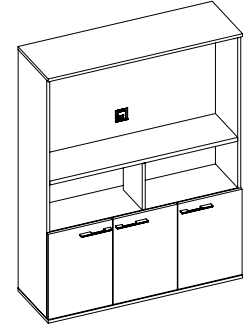
Electrics

Code	Price	H	W	D	Vol.	Wt.
<b>Bottom Hinged</b>						
H-BCBH-532416	1316	53	24	16	7.0	42
H-BCBH-533016	1405	53	30	16	9.0	50
H-BCBH-533616	1489	53	36	16	10.0	59
H-BCBH-534216	1802	53	42	16	12.0	67
H-BCBH-534816	1885	53	48	16	13.0	76
H-BCBH-535416	2039	53	54	16	15.0	84
H-BCBH-536016	2132	53	60	16	16.0	92
H-BCBH-692416	1484	69	24	16	10.0	56
H-BCBH-693016	1590	69	30	16	12.0	67
H-BCBH-693616	1686	69	36	16	14.0	78
H-BCBH-694216	2041	69	42	16	16.0	90
H-BCBH-694816	2145	69	48	16	18.0	101
H-BCBH-695416	2342	69	54	16	19.0	112
H-BCBH-696016	2441	69	60	16	21.0	123
<b>Middle Hinged</b>						
H-BCMh-693016	1547	69	30	16	12.0	67
H-BCMh-693616	1645	69	36	16	14.0	78
H-BCMh-694216	1993	69	42	16	16.0	90
H-BCMh-694816	2090	69	48	16	18.0	101
H-BCMh-695416	2259	69	54	16	19.0	112
H-BCMh-696016	2357	69	54	16	21.0	123
<b>Sliding Door</b>						
H-BCMS-693016	1734	69	30	16	12.0	67
H-BCMS-693616	1945	69	36	16	14.0	78
H-BCMS-694216	2048	69	42	16	16.0	90
H-BCMS-694816	2261	69	48	16	18.0	101
H-BCMS-695416	2434	69	54	16	19.0	112
H-BCMS-696016	2548	69	60	16	21.0	123

Code	Price	H	W	D	Vol.	Wt.
<b>Open</b>						
H-BCOO-532416	993	53	24	16	7.0	42
H-BCOO-533016	1098	53	30	16	9.0	50
H-BCOO-533616	1200	53	36	16	10.0	59
H-BCOO-534216	1345	53	42	16	12.0	67
H-BCOO-534816	1423	53	48	16	13.0	76
H-BCOO-535416	1570	53	54	16	15.0	84
H-BCOO-536016	1640	53	60	16	16.0	92
H-BCOO-692416	1162	69	24	16	10.0	56
H-BCOO-693016	1289	69	30	16	12.0	67
H-BCOO-693616	1416	69	36	16	14.0	78
H-BCOO-694216	1593	69	42	16	16.0	90
H-BCOO-694816	1676	69	48	19	18.0	101
H-BCOO-695416	1866	69	54	16	19.0	112
H-BCOO-696016	1956	69	60	16	21.0	123
H-BCOO-532419	1092	53	24	19	8.0	47
H-BCOO-533019	1208	53	30	19	9.0	50
H-BCOO-533619	1322	53	36	19	12.0	66
H-BCOO-534219	1443	53	42	19	13.0	76
H-BCOO-534819	1528	53	48	19	15.0	85
H-BCOO-535419	1703	53	54	19	16.0	95
H-BCOO-536019	1780	53	60	19	18.0	104
H-BCOO-692419	1279	69	24	19	11.0	63
H-BCOO-693019	1419	69	30	19	13.0	76
H-BCOO-693619	1557	69	36	19	15.0	89
H-BCOO-694219	1709	69	42	16	18.0	101
H-BCOO-694819	1810	69	48	19	20.0	114
H-BCOO-695419	2005	69	54	19	22.0	127
H-BCOO-696019	2102	69	60	19	24.0	139



Seated



Standing

**What's Included:**

- AV Unit

**How to Specify:**

Legs to be specified separately

**Notes:**

- Seated 48"W unit accommodates up to 40" flat screen TV
- Seated 60"W unit accommodates up to 65" flat screen TV
- Standing 48"W unit accommodates up to 48" flat screen TV

**Options:**

Widths: 48", 60"

Depths: 16"

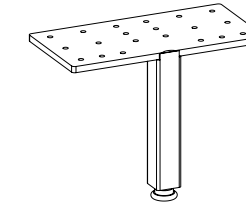
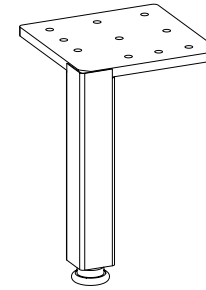
Height: 53", 69"

Laminate

Paint Finish

Electrics

Code	Price	H	W	D	Volume	Weight
<b>Seated w/finished Back</b>						
H-AVL0-534816	2134	53	48	16	16.0	142
H-AVL0-696016	2578	69	60	16	27.0	232
<b>Seated /no finished back</b>						
H-AVLN-534816	1888	53	48	16	21.0	142
H-AVLN-696016	2219	69	60	16	21.0	232
<b>Standing w/finished back</b>						
H-AVS0-694816	2342	69	48	16	16.0	185
<b>Standing /no finished back</b>						
H-AVSN-694816	2041	69	48	16	27.0	185



**What's Included:**

- 1 Storage support leg and hardware

**How to Specify:**

- Single or Shared
- Shared leg is used the front of two cabinet joints

**Options:**

Widths: 0

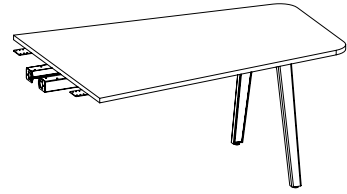
Depths: 0

Laminate

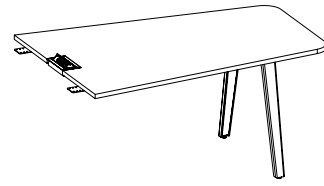
Paint Finish

Electrics

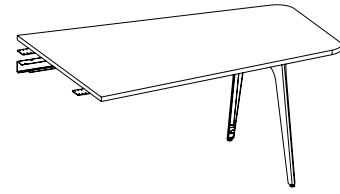
Code	Price	H	W	D	Volume	Weight
H-HCL-1	45	6	0	0	0.0	1
H-HCL-2	47	6	0	0	0.0	2



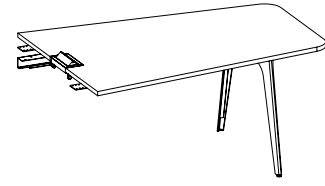
A-Leg No Grommet



A-Leg Grommet



V-Leg No Grommet



V-Leg Grommet

**What's Included:**

- Worksurface
- Legs
- Reinforcement Bars
- Optional Power

**How to Specify:**

6" smaller than the width of the AV Unit

**Notes:**

One of the A-Legs will come with an infill with a small hole to run wires out the bottom

**Options:**

Widths: 48", 60", 72", 84"

Depths: 42", 54",

Laminate

Paint Finish

Electrics

**A-Leg**

Code	Price	H	W	D	Vol.	Wt.
No Grommet						
H-TAAN-294842	1442	29	48	42	5.0	69
H-TAAN-294854	1585	29	48	54	5.0	88
H-TAAN-296042	1547	29	60	42	6.0	86
H-TAAN-296054	1703	29	60	54	6.0	111
H-TAAN-297254	1847	29	72	54	7.0	133
H-TAAN-298454	1992	29	84	54	8.0	155
H-TAAN-424842	1605	42	48	42	5.0	100
H-TAAN-426042	1709	42	60	42	6.0	125
w/ Grommet						
H-TAAH-294842	2473	29	48	42	5.0	69
H-TAAH-294854	2615	29	48	54	5.0	88
H-TAAH-296042	2577	29	60	42	6.0	86
H-TAAH-296054	2735	29	60	54	6.0	111
H-TAAH-297254	2878	29	72	54	7.0	133
H-TAAH-298454	3022	29	84	54	8.0	155
H-TAAH-424842	2637	42	48	42	5.0	100
H-TAAH-426042	2741	42	60	42	6.0	125

**V-Leg**

Code	Price	H	W	D	Vol.	Wt.
No Grommet						
H-TAVN-294842	1353	29	48	42	5.0	69
H-TAVN-294854	1408	29	48	54	5.0	88
H-TAVN-296042	1423	29	60	42	6.0	86
H-TAVN-296054	1495	29	60	54	6.0	111
H-TAVN-297254	1570	29	72	54	7.0	133
H-TAVN-298454	1686	29	84	54	8.0	155
H-TAVN-424842	1499	42	48	42	5.0	100
H-TAVN-426042	1570	42	60	42	6.0	125
w/ Grommet						
H-TAVH-294842	2382	29	48	42	5.0	69
H-TAVH-294854	2439	29	48	54	5.0	88
H-TAVH-296042	2452	29	60	42	6.0	86
H-TAVH-296054	2523	29	60	54	6.0	111
H-TAVH-297254	2600	29	72	54	7.0	133
H-TAVH-298454	2717	29	84	54	8.0	155
H-TAVH-424842	2529	42	48	42	5.0	100
H-TAVH-426042	2599	42	60	42	6.0	125



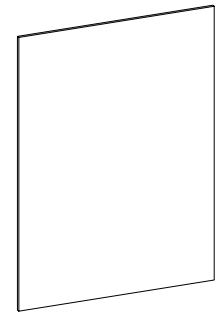


Halifax Pricebook  
May 2023  
**Accessories**

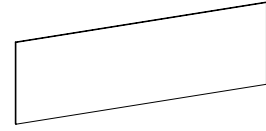
Accessories

PET Acoustic board	176
Power	178
Purse Hook, Shelf, Metal Storage	179
Tasklight	180
Monitor Arm	181

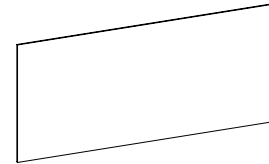




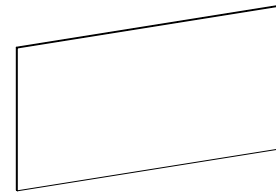
Gallery Wall Slim



Gallery Wall/ Hutch - High Credenza



Gallery Wall/ Hutch - Low Credenza



Locker Tower

**What's Included:**

- PET acoustic board

**How to Specify:**

**Notes:**

**Options:**

Widths: 9", 12", 18", 24", 26", 32", 38", 44", 50", 56", 62", 68", 74", 80", 86", 92"

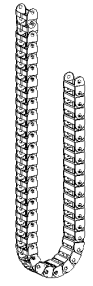
Depths: 0.5"

Laminate

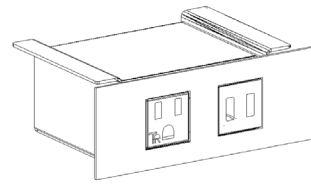
Paint Finish

Electrics

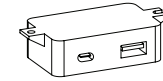
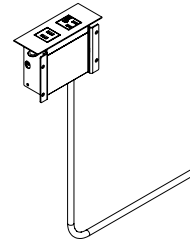
Code	Price	H	W	D	Volume	Weight
<b>For Gallery Wall Slim</b>						
H-PFG-3209	146	32	9	1	0.1	1
H-PFG-3212	166	32	12	1	0.1	2
H-PFG-3218	257	32	18	1	0.2	3
H-PFG-3224	270	32	24	0	0.2	4
<b>For Gallery Wall / Hutch - High Credenza</b>						
H-PFH-2226	283	22	26	1	0.2	3
H-PFH-2232	292	22	32	1	0.2	1
H-PFH-2238	378	22	38	1	0.3	4.18
H-PFH-2244	395	22	44	1	0.3	5
H-PFH-2250	560	22	50	1	0.3	6
H-PFH-2256	565	22	56	1	0.4	6
H-PFH-2262	571	22	62	1	0.4	7
H-PFH-2268	575	22	68	1	0.5	7
H-PFH-2274	673	22	74	1	0.5	8
H-PFH-2280	677	22	80	1	1.0	9
H-PFH-2286	685	22	86	1	1.0	9
H-PFH-2292	689	22	92	1	1.0	10
<b>For Gallery Wall / Hutch - Low Credenza</b>						
H-PFH-3126	285	31	26	1	0.2	4
H-PFH-3132	287	31	32	1	0.3	5
H-PFH-3138	384	31	38	1	0.4	6
H-PFH-3144	389	31	44	1	0.4	7
H-PFH-3150	560	31	50	1	0.5	8
H-PFH-3156	563	31	56	1	1.0	9
H-PFH-3162	567	31	62	1	1.0	10
H-PFH-3168	569	31	68	1	1.0	11
H-PFH-3174	673	31	74	1	1.0	11
H-PFH-3180	679	31	80	1	1.0	12
H-PFH-3186	685	31	86	1	1.0	13
H-PFH-3192	689	31	92	1	1.0	14
<b>For Locker Tower</b>						
H-PFL-4718	326	47	18	1	0.3	4
H-PFL-4724	330	47	24	1	0.3	5
H-PFL-6318	486	63	18	1	0.3	6
H-PFL-6324	563	63	24	1	0.3	7



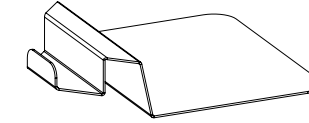
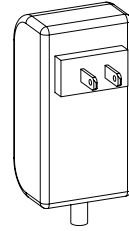
E-Chain Wire Manager



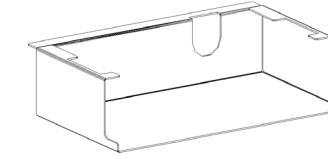
Grommet, Side Mounted, Side Mounted Module  
1 Outlet + Dual USB Ports With Power And USB



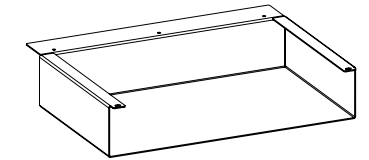
Side Mounted USB A & C,  
1 Module, with AC Adapter



Purse Hook



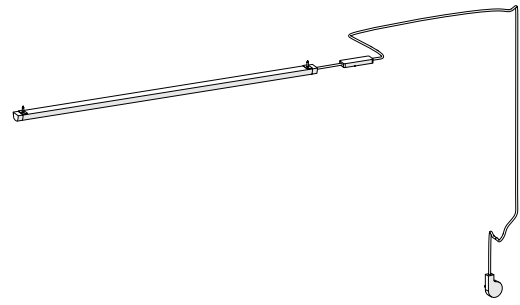
Under Mount Open Shelf



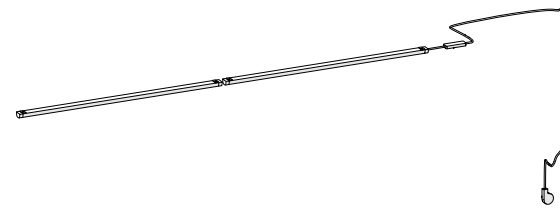
Metal Storage,-  
For Under Hutch

Code	Price	H	W	D	Volume	Weight
E-Chain Wire Manager						
V-EE-28	278	28	0	0	1.0	1.0
Grommet, Side Mounted, 1 Outlet + Dual USB Ports						
H-EGS-U	283	28	0	0	0.1	1.0
USB adapter (1ea USB A & C ports with adapter)						
V-ESMU-A	169				2.0	2.0
Side Mounted USB, 4 Module, With Hub						
V-ESMU-K	939				2.0	2.0
Side Mounted Module With Power And USB						
V-ESMU-P	245				2.0	2.0
RJ11 Jack W/84" Cable						
H-RJ11	73				0.2	1.1
RJ45, Cat6 W/Cord 72", Black						
H-RJ45	193				0.2	1.2
HDMI Coupler, 18"Cord,F/F						
H-HDMI	186				0.2	1.1

Code	Price	H	W	D	Volume	Weight
Purse Hook						
H-APH	164	0	0	0	2.2	0.5
Under Mount Open Shelf						
H-AUS-1209	134	3	12	9	0.3	1
Metal Storage,For Under Hutch						
H-SHUS-031409	138	4	14	10	0.0	0



Halifax LED Light 30"(1) with transformer, Wire manager, Mounting Plate and hardware



Halifax LED Light 30"(2) with transformer, Wire manager, Mounting Plate and hardware

**What's Included:**

- LED Tasklight
- Transformer
- Mounting Plate
- Mounting Hardware

**How to Specify:**

3666 fits under overheads between 36"-66"W  
 7284 fits under overheads between 72-84"W

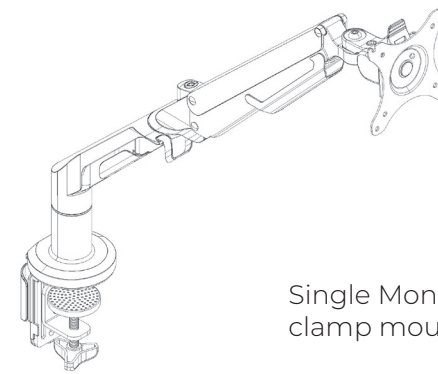
**Notes:**

7284 consists of two 30" lights  
 Hardware includes screws for wood overhead and magnets for metal overheads

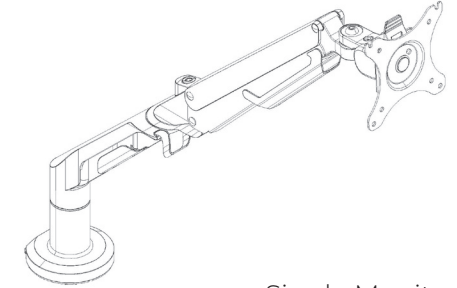
**Options:**

Available in Silver only

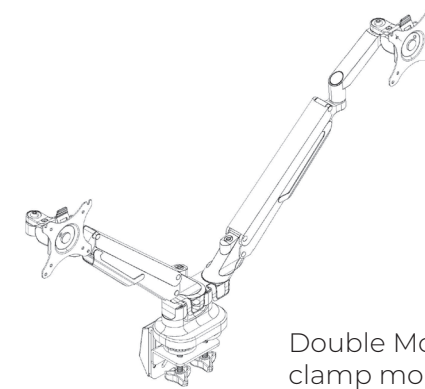
Code	Price
Tasklight	
V-ELU-3666	398
V-ELU-7284	738



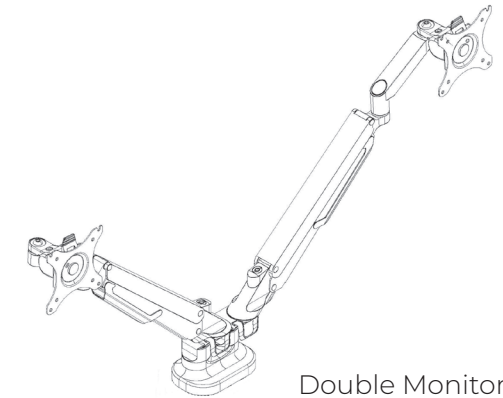
Single Monitor Arm - clamp mount



Single Monitor Arm - grommet mount



Double Monitor Arm - clamp mount



Double Monitor Arm - grommet mount

**What's Included:**

One monitor arm and installation hardware for both clamp and grommet mount

**How to Specify:**

- Specify type

**Notes:**

Available in silver and black  
 Single Monitor Arm  
 • Screen Size - 17"-36"  
 • Load Capacity - 6.6-26.4lbs/3-12kg  
 • Tilt Range - -90 degrees - -15 degrees  
 Dual Monitor Arm  
 • Screen Size - 17"-32"  
 • Load Capacity - 4.4-19.8lbs/2-9kg  
 • Tilt Range - -90 degrees - -15 degrees

**Dimensions:**

Vesa: 75x75 and 100x100

Code	Price
Monitor Arm - Single Mount	
V-AFMA-01	353
Monitor Arm - Double Mount	
V-AFMA-02	589