

Standard Panel Mounted Glass/Acrylic Screen – Double Span

1. Check the panel top mounted glass /acrylic Frameless Glazed Extrusion if there is a Nylon X-mas Tree Clip on both ends before placing it on top of the top trim, (Figure 1).
2. Align the holes of Frameless Glazed Extrusion into the pre-drilled holes of the top trim.
3. Securely fasten the Frameless Glazed Extrusion into the pre-drilled holes of top trim with #8 X 1-1/4", Flat Head Screws, (Figure 2).

Continued on the next page >>

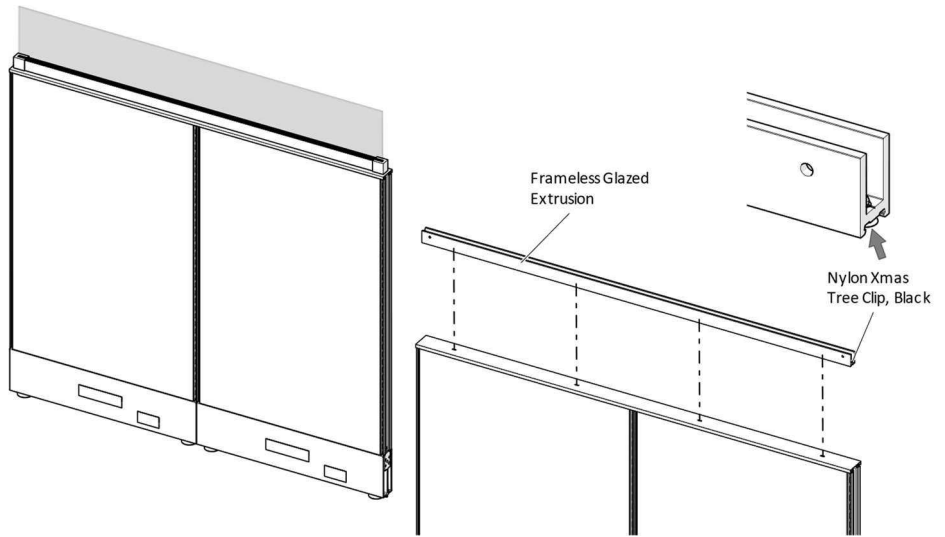


Figure 1

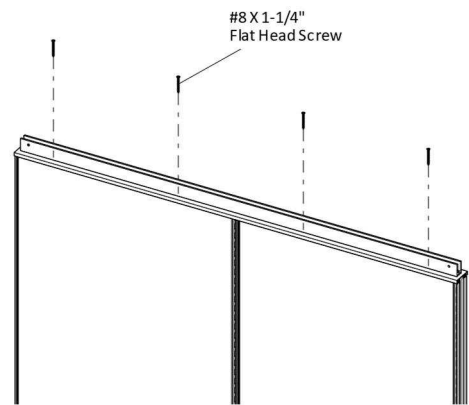
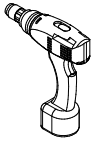
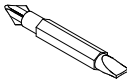



Figure 2

Tools & Hardware Needed

		8540-1200 		
Drill	Phillips #2 & #3 Bit or Robertson #2	#8 X 1-3/4", Flat Head Screw (4X)		

Standard Panel Mounted Glass/Acrylic Screen – Double Span

4. Insert the glass/acrylic with Panel Top Screen Gasket into the Frameless Glazed Extrusion, (Figure 3).

5. Align and secure the glass/acrylic by inserting 1/4-20 X 1/4" Socket Set Screw through each of the holes on the side of the Frameless Glazed Extrusion using Allen Key driver, (Figure 4).

6. Tighten gently each side until the glass/acrylic is centered and secured.

Note: Do not overtighten. Check the Frameless Glazed Extrusion if it is straight. Overtightening set screws will bend the Frameless Glazed Extrusion outward and end caps will not fit.

7. Insert the End Cap on both ends of the Frameless Glazed Extrusion then push it down to secure, (Figure 5).

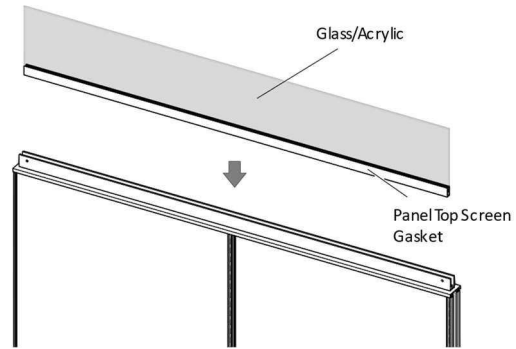


Figure 3

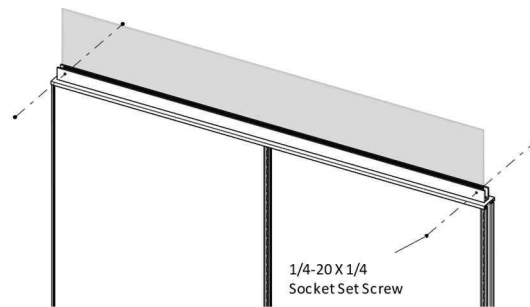


Figure 4

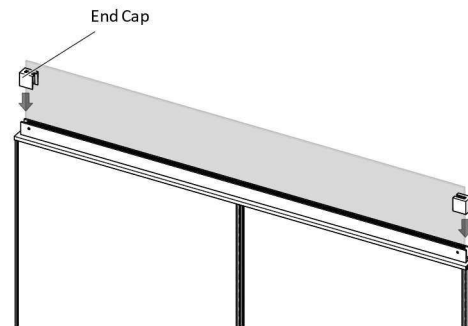


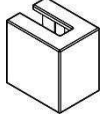


Figure 5

Tools & Hardware Needed

	8540-1170 	8400-0144 		
Allen Key	1/4 -20 X 1/4 SS Screw (4X)	End Cap (2X)		