

# panel top mounted glass/acrylic screen – double span

1. Check the panel top mounted glass /acrylic Frameless Glass/Acrylic Extrusion if there is a X-mas tree on both ends before placing it on top of the top trim, (Figure 1).
2. Align the holes of Frameless Glass/Acrylic Extrusion into the pre-drilled holes of the top trim.

Continued on the next page >>

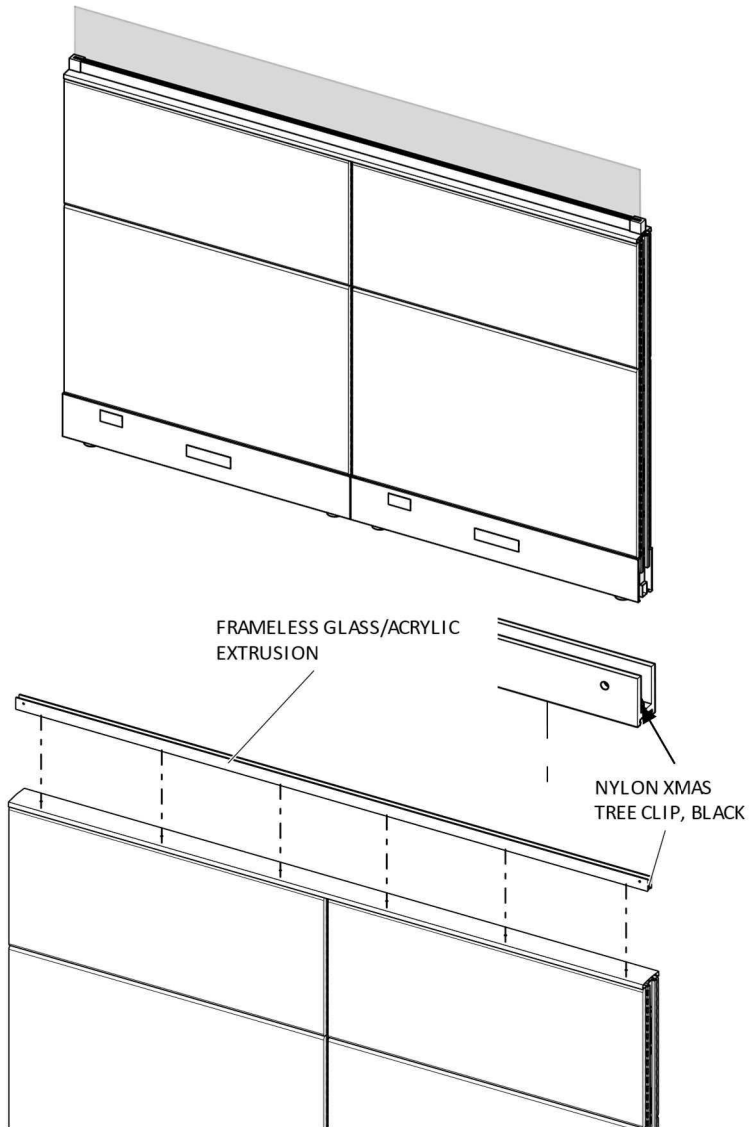


FIGURE 1

tools & hardware needed


# panel top mounted glass/acrylic screen – double span

3. Securely fasten Frameless Glass/Acrylic Extrusion into the pre-drilled holes of top trim with #8 X 2", Flat Head Self Drilling Screws, (Figure 2).
4. Insert the glass/acrylic with plastic gasket into the Frameless Glass/Acrylic Extrusion, (Figure 3).

Continued on the next page >>

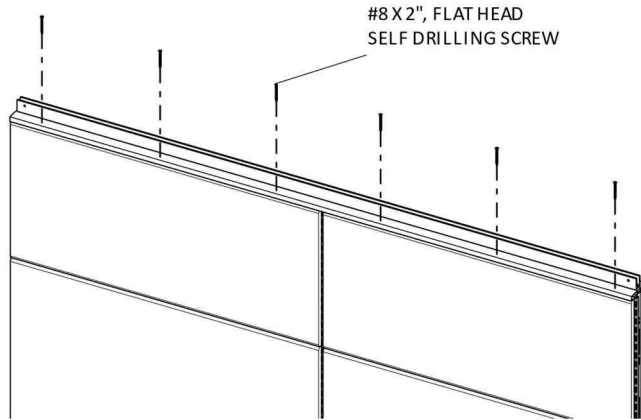


FIGURE 2

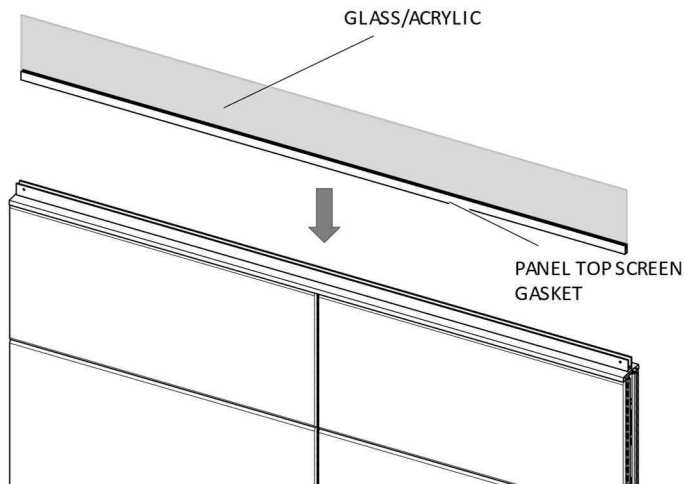
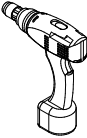
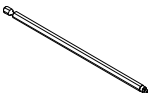



FIGURE 3

## tools & hardware needed

		8540-1217 		
Drill	Robertson # 2 Bit	#8 X 2", Flat Head Screw (6X)		

# panel top mounted glass/acrylic screen – double span

5. Align and secure the glass/acrylic by inserting 1/4-20 X 1/4" Socket Set Screw through each of the holes on the side of the Frameless Glass/Acrylic Extrusion using Allen Key driver, (Figure 4).
6. Tighten gently each side until the glass/acrylic is centered and secured.  
**Note: Do not overtighten. Check the base extrusion if it is straight. Overtightening set screws will bend the Frameless Glass/Acrylic Extrusion outward and end caps will not fit.**
7. Insert the end cap on both ends of the Frameless Glass/Acrylic Extrusion then push it down to secure, (Figure 5).

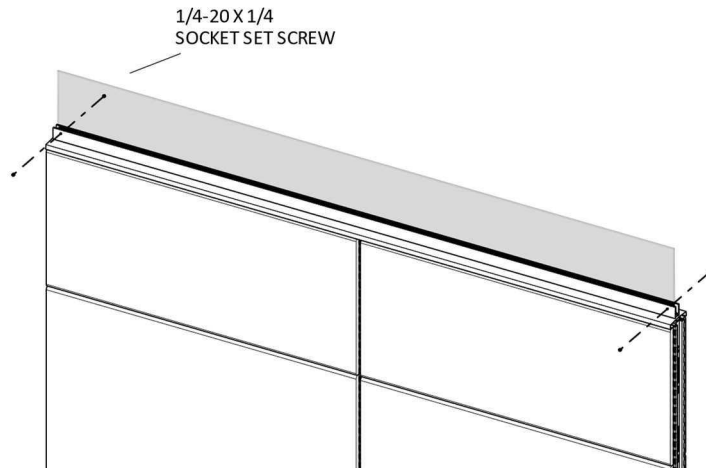


FIGURE 4

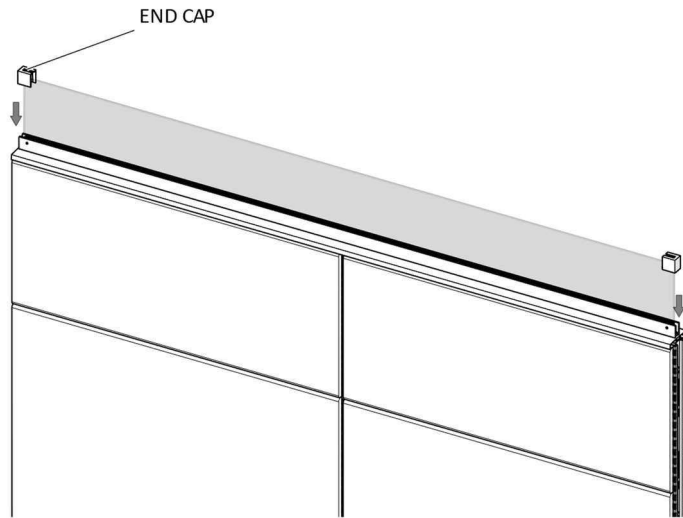


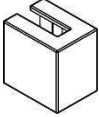


FIGURE 5

## tools & hardware needed

	8540-1170 	8400-0144 		
Allen Key	1/4 -20 X 1/4 SS Screw (4X)	End Cap (2X)		